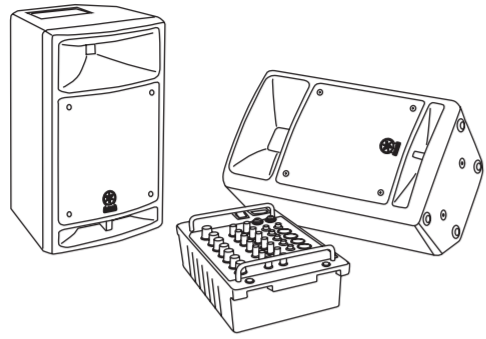


Introduction

Thank you and congratulations on your purchase of the Yamaha PORTABLE PA SYSTEM STAGEPAS 300. The STAGEPAS 300 is a versatile, compact PA system consisting of two speakers and a mixer. In order to get the most out of your new STAGEPAS 300 and its sophisticated functions, we suggest you read through this manual thoroughly. Also keep it in a safe place for future reference.



Features

- Two-way, 8-inch (20 cm) speaker system
The built-in speakers deliver high-quality powerful sound from an exceptionally compact cabinet. The scratch-resistant speakers are rugged enough for outdoor use.
Powered mixer
The powered mixer is a convenient, high-performance all-in-one unit that includes EQ and reverb. With four mono inputs and two stereo inputs, the STAGEPAS 300 can be connected to a wide range of instruments and devices.
Convenient storage
The STAGEPAS 300 can be used in even the most cramped quarters, inside or outside, since the mixer is built into one of the speaker cabinets. The other speaker has a special compartment for storing speaker cables and microphones, letting you put all you need for your performance in one convenient place.

CAUTION: TO REDUCE THE RISK OF ELECTRIC SHOCK, DO NOT REMOVE COVER OR BACK. NO USER-SERVICEABLE PARTS ARE LOCATED BEHIND THIS COVER. REFER SERVICE PERSONNEL.
Explanation of Graphical Symbols
The lightning flash with arrowhead symbol within an equilateral triangle is intended to alert the user to the presence of unshielded 'dangerous voltage' within the product's enclosure that may be of sufficient magnitude to constitute a risk of electric shock to persons.

IMPORTANT SAFETY INSTRUCTIONS

- 1. Read these instructions.
2. Keep these instructions.
3. Heed all warnings.
4. Follow all instructions.
5. Do not use this apparatus near water.
6. Clean only with dry cloth.
7. Do not block any ventilation openings.
8. Do not install near any heat sources such as radiators, heat registers, stoves, or other apparatus (including amplifiers) that produce heat.
9. Do not defeat the safety purpose of the polarized or grounding-type plug.

WARNING: TO REDUCE THE RISK OF FIRE OR ELECTRIC SHOCK, DO NOT EXPOSE THIS APPARATUS TO RAIN OR MOISTURE. (98-6500)

PRECAUTIONS

PLEASE READ CAREFULLY BEFORE PROCEEDING
\* Please keep this manual in a safe place for future reference.

WARNING

Always follow the basic precautions listed below to avoid the possibility of serious injury or even death from electrical shock, short-circuiting, damages, fire or other hazards. These precautions include, but are not limited to, the following:

- Power supply/Power cord
Only use the voltage specified as correct for the device. The required voltage is printed on the nameplate on the back of the device.
Water warning
Do not expose the device to rain, use it near water or in damp or wet conditions, or place containers on it containing liquids which might spill into any openings.
If you notice any abnormality
If the power cord or plug becomes frayed or damaged, or if there is a sudden loss of sound during use of the device, or if any unusual smells or smoke should appear to be caused by it, immediately turn off the power switch, disconnect the electric plug from the outlet, and have the device inspected by qualified Yamaha service personnel.

CAUTION

Always follow the basic precautions listed below to avoid the possibility of physical injury to you or others, or damage to the device or other property. These precautions include, but are not limited to, the following:

- Power supply/Power cord
Remove the electric plug from the outlet when the device is not to be used for extended periods of time, or during electrical storms.
Handling caution
When turning on the AC power in your audio system, always turn on the device LAST, to avoid speaker damage.
Interference from Cell Phones
Using a cell phone near the speaker system can induce noise.
Connections
Before connecting the device to other devices, turn off the power for all devices.

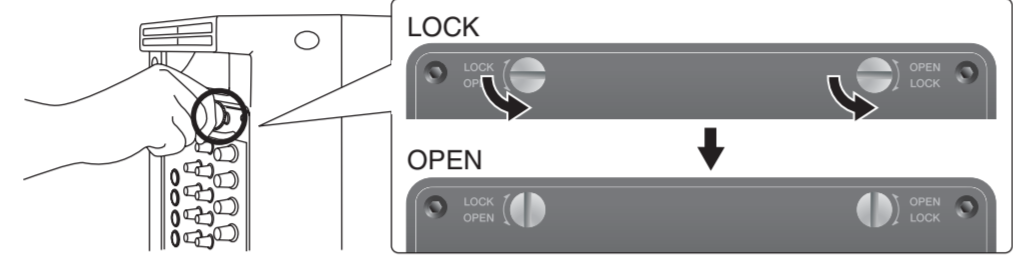
Package Contents

Two speakers, mixer, panel, power cord, two speaker cables, Owner's Manual (this booklet)
NOTE: The mixer and the panel are installed in the speakers when the STAGEPAS 300 leaves the factory.

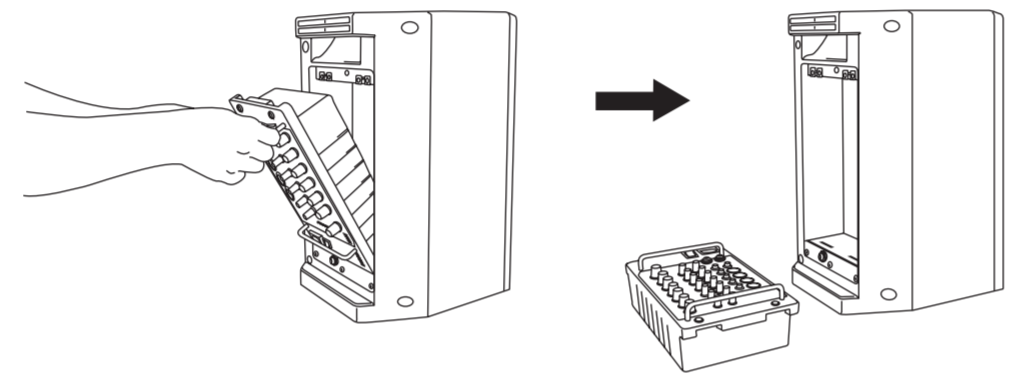
Before turning on the mixer

Remove the mixer

- 1. Be sure that the mixer's power switch is turned off.
2. Use a screwdriver or coin to turn each screw on the mixer from LOCK to OPEN until it clicks.



- 3. Securely hold the mixer's handles to remove it from the speaker.

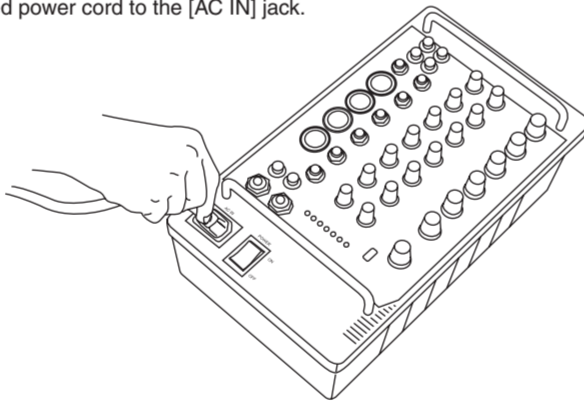


Use only the mixer's handles when removing the mixer from the speaker and when carrying the mixer separate from the speaker.
NOTE: The mixer can also be used when installed in the speaker.

When you install the mixer into the speaker to match the indentations on the speaker cabinet to the corresponding parts on the mixer, and then turn each screw from OPEN to LOCK until it clicks.

Power supply connections

- 1. Make sure that the mixer's power switch is turned off.
2. Connect the included power cord to the [AC IN] jack.

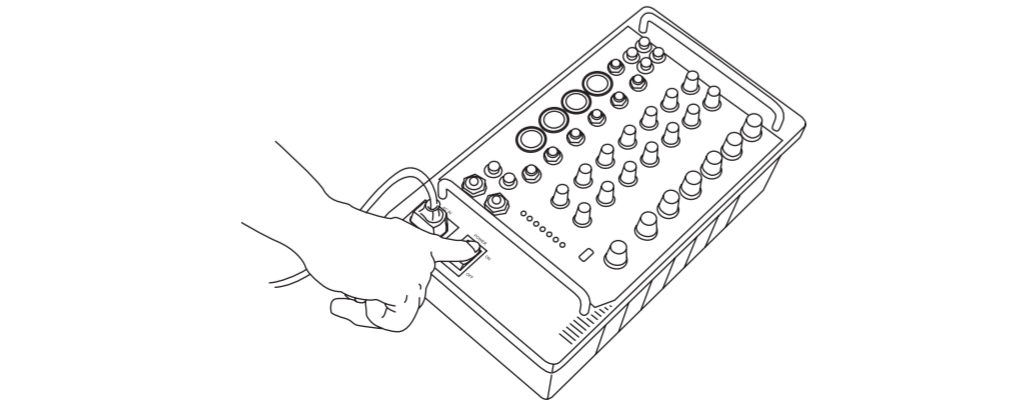


- 3. Plug the power cord into a power outlet.

Turning the power on/off

- To avoid any loud, unexpected noise from the speakers, first turn on the power to those connected devices that are closest to the sound source.
Example: Sound source (CD player or instrument) -> STAGEPAS 300
When turning off the power to the system, reverse the order described above.
Before turning on the power, set the LEVEL controls and MASTER LEVEL control to their minimum setting (zero).

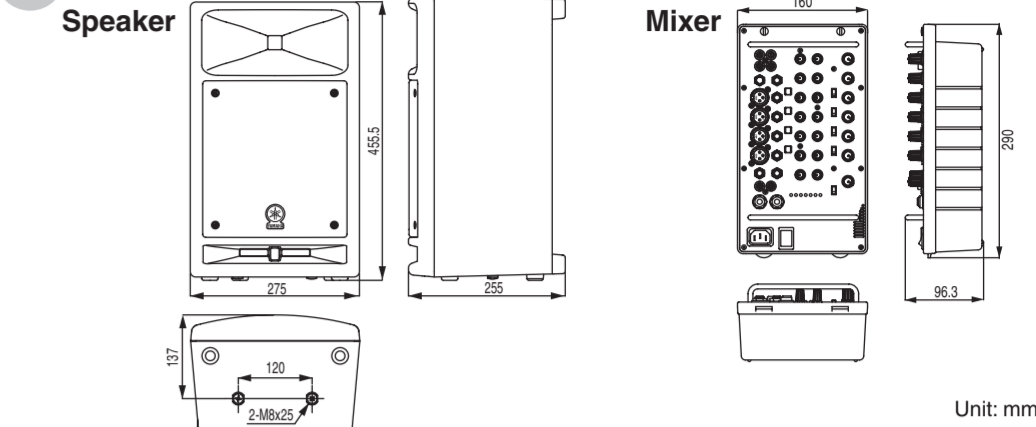
Press the mixer's power switch to the ON position (the POWER indicator lights). To turn the power off, press the power switch to the OFF position (the POWER indicator turns off).



Troubleshooting

- Power does not turn on
Is the included power cord correctly connected to a power outlet?
Power shuts down suddenly
Is the volume set at high for an extended period of time?
No sound is heard
Are external instruments (including a microphone) or speakers correctly connected to the mixer?
Sound is interrupted
Is the volume set too high?
Sound is distorted or noise is produced
Are the LEVEL controls of all relevant channels and/or the MASTER LEVEL control set to appropriate levels?
Reverb is not applied to the sound
Are the REVERB switches of each channels set to ON ( )?
Getting a more powerful sound from the speakers
Is the SPEECH/MUSIC switch set to MUSIC ( )?
Getting a clearer sound for announcements
Is the SPEECH/MUSIC switch set to SPEECH ( )?
Using a single speaker
You can use a single speaker. If you use a single speaker, the mixer outputs just one channel of the stereo signal, left or right.
Outputting the signal for monitoring
Connect a powered speaker to the MONITOR OUT jack.

Dimensions



Specifications

- General Specifications
Maximum Output Power
Frequency Response
Total Harmonic Distortion
Hum & Noise
Crosstalk
Weight
Power Consumption
Stereo Input Channel Equalization
Speaker Enclosure
Cross Over Frequency
Maximum Output Level

FCC INFORMATION (U.S.A.)
IMPORTANT NOTICE: DO NOT MODIFY THIS UNIT!
IMPORTANT NOTICE FOR THE UNITED KINGDOM
Connecting the Plug and Cord

ASIA
THE PEOPLE'S REPUBLIC OF CHINA
Yamaha Music & Electronics (China) Co., Ltd.
INDONESIA
PT. Nusantara Musik Indonesia (Distributor) PT. Nusantik
MALAYSIA
Yamaha Music Malaysia, Sdn. Bhd.
SINGAPORE
Yamaha Music Asia Pte., Ltd.

Regional distribution lists for NORTH AMERICA, CENTRAL & SOUTH AMERICA, EUROPE, THE UNITED KINGDOM, GERMANY, SWITZERLAND/LIECHTENSTEIN, AUSTRALIA, AFRICA, MIDDLE EAST, TURKEY/CYPRUS, HUNGARY/SLOVENIA, CZECH REPUBLIC/SLOVAKIA, OTHER EUROPEAN COUNTRIES, OTHER COUNTRIES, and HEAD OFFICE.



# STAGEPAS 300



## Quick Guide

### Getting sound out of the system

Using the included speakers, set up the system and try it out.

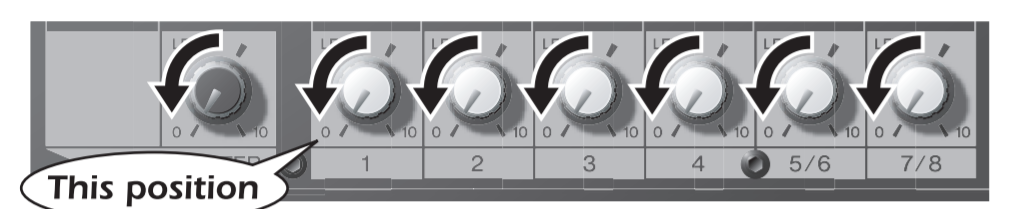
#### 1 Connect the included speakers and your instruments to the mixer.

Connect the included speakers to the SPEAKER L/R jack. Connect the sources (guitar, other instruments) to the input jacks. For details, see "Connection Example."

**Caution:** Before connecting any devices, make sure to turn off the power for all devices (including microphones). Also, before turning the power on or off, set the volume levels on all devices to minimum.

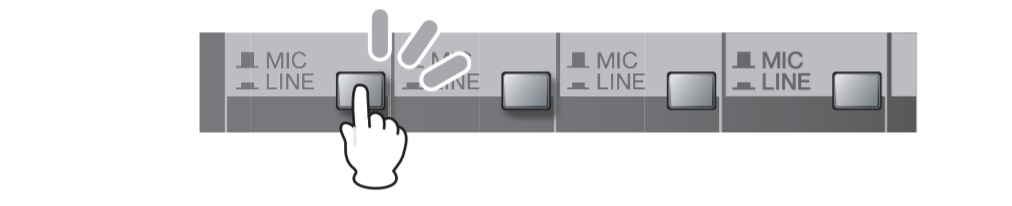
**NOTE:** For best results when connecting an electric guitar or bass guitar to the mixer, use a direct box, preamp (guitar amp), or amp simulator.

#### 2 Set the mixer's LEVEL controls and MASTER LEVEL control to the minimum (zero).



#### 3 Depending on the device used, set the MIC/LINE switch to MIC ( ) or LINE ( ) as appropriate.

For low-level signals (such as that of microphones), set the switch to the MIC ( ) position. For high-level signals (such as keyboard instruments and audio equipment), set the switch to the LINE ( ) position.

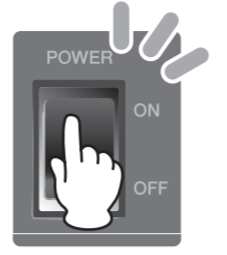


#### 4 Turning the power on

First, turn on the power to any connected devices, then turn the STAGEPAS 300 power on. If you've connected powered speakers to the mixer, turn on the power of the mixer first, then the powered speakers.

**Caution:** To avoid any loud, unexpected noise from the speakers, first turn on the power to those connected devices that are closest to the sound source.

Example: Sound source (CD player or instrument) → STAGEPAS 300 → (Power amplifier) When turning off the power to the system, reverse the order described above.

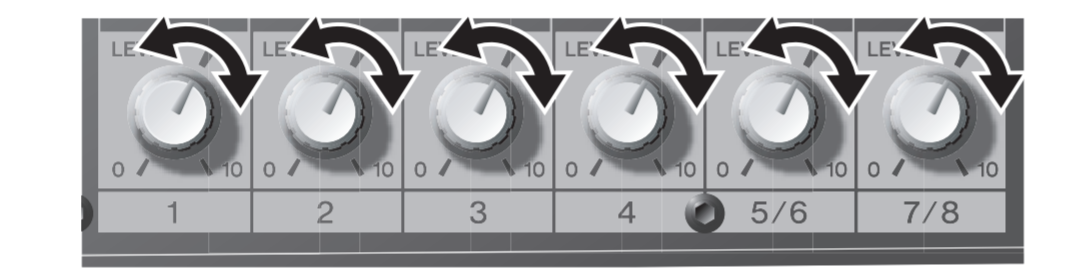


#### 5 Set the MASTER LEVEL control to the optimum position (indicated by the arrow).



#### 6 While playing your instrument or singing into the microphone, adjust the LEVEL control of the corresponding channel.

Adjust the LEVEL Control of the corresponding channel so that the "0" LED lights up momentarily.



#### 7 Use the MASTER LEVEL control to adjust the overall volume.

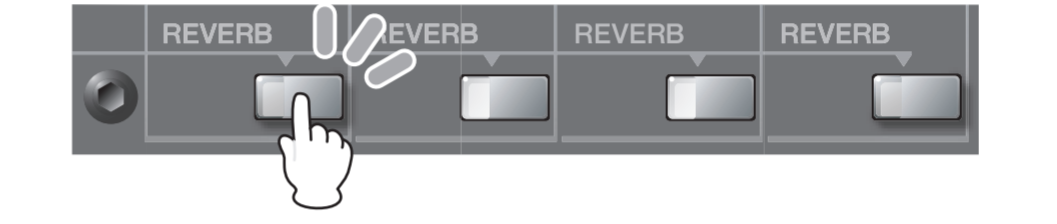
**Caution:** If the LIMITER indicator flashes continuously, the internal power amplifier section is being excessively overloaded and may malfunction.



### Applying reverb or echo to the sound

Reverb recreates the warm ambience of an actual performance space, such as a concert hall or a night club.

#### 1 For each channel you want to apply reverb, set the corresponding REVERB switch to ON ( ).



#### 2 Use the REVERB control to adjust the overall reverb.

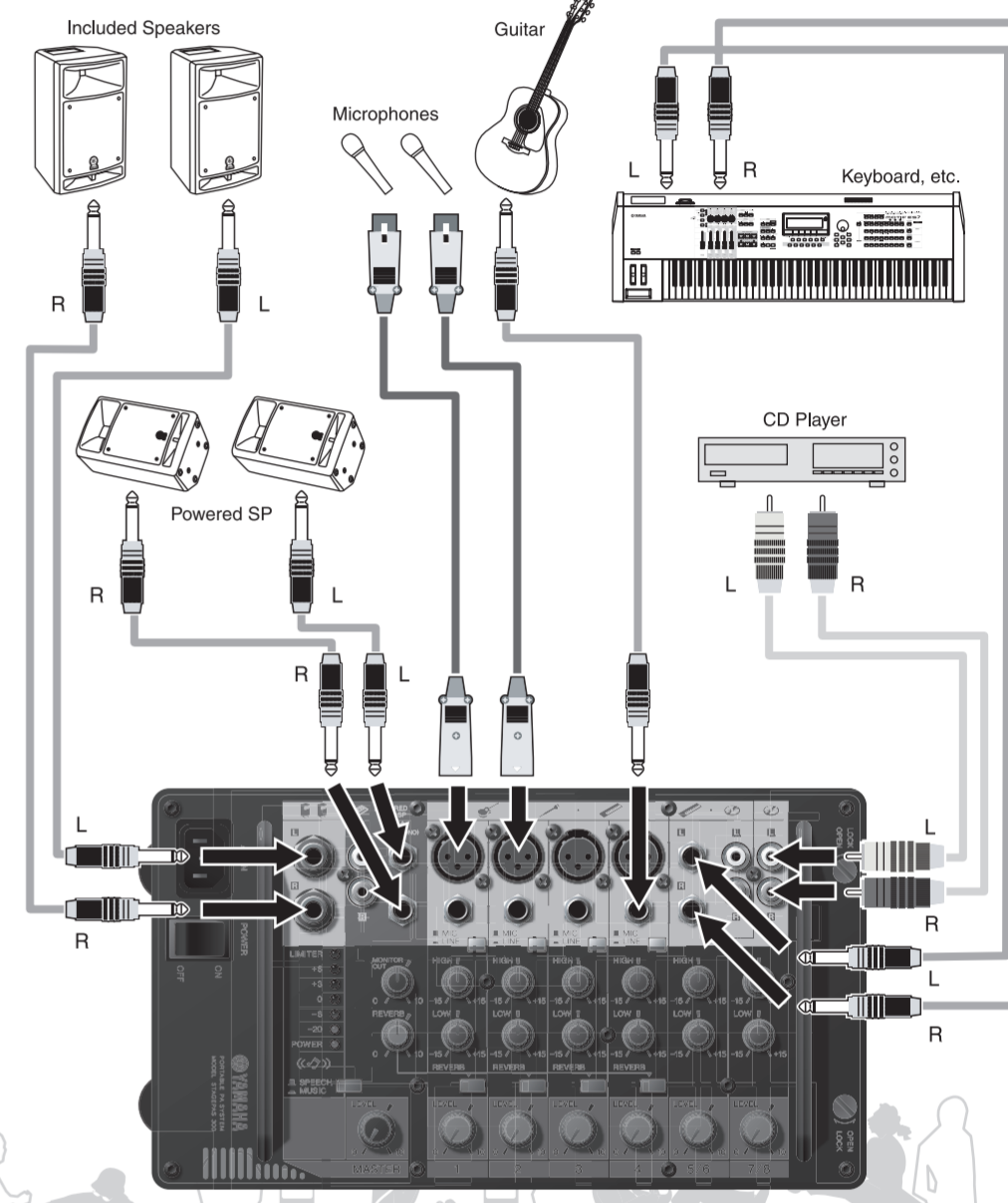


## Connection Example

The STAGEPAS 300 can be used in a wide variety of sound reinforcement applications, from a full-band performance onstage to solo street performance—providing a powerful, high-performance system in an exceptionally compact and portable package.

Connect a guitar or a microphone to the monaural input jacks (channels 1 to 4) and connect a keyboard to the stereo input jacks (channels 5/6 or 7/8). If you have a powered speaker, you can connect it to the MONITOR OUT jack for monitoring your vocals. For optimum results in band performance applications and to create a more powerful sound for music, make sure to set the SPEECH/MUSIC switch to MUSIC.

**NOTE:** For best results when connecting an electric guitar or bass guitar to the mixer, use a direct box, preamp (guitar amp), or amp simulator.



## Controls and Functions

**1 AC IN jack**  
Connect the included power cable here.

**Caution:** Be sure to use the included power cord. Use of other cords may result in malfunction, heat generation, or fire.

**2 POWER switch**  
For turning the power to the mixer on and off.

**16 LEVEL meter**  
The LEVEL meter shows the level of the output signal from the SPEAKER L/R jacks.

**Caution:** If the LIMITER flashes continuously, the internal power amplifier section is being excessively overloaded and may malfunction. Reduce the output level with the MASTER LEVEL control so that the indicator flashes only briefly on the highest transient peaks.

**17 POWER indicator**  
This lights when the POWER switch is ON. When the indicator flashes, the protection circuit is operating. Check that the speaker cable is correctly connected to the mixer and reapply the power.

**15 MONITOR OUT Control**  
Determines the signal level output from the MONITOR OUT jack.

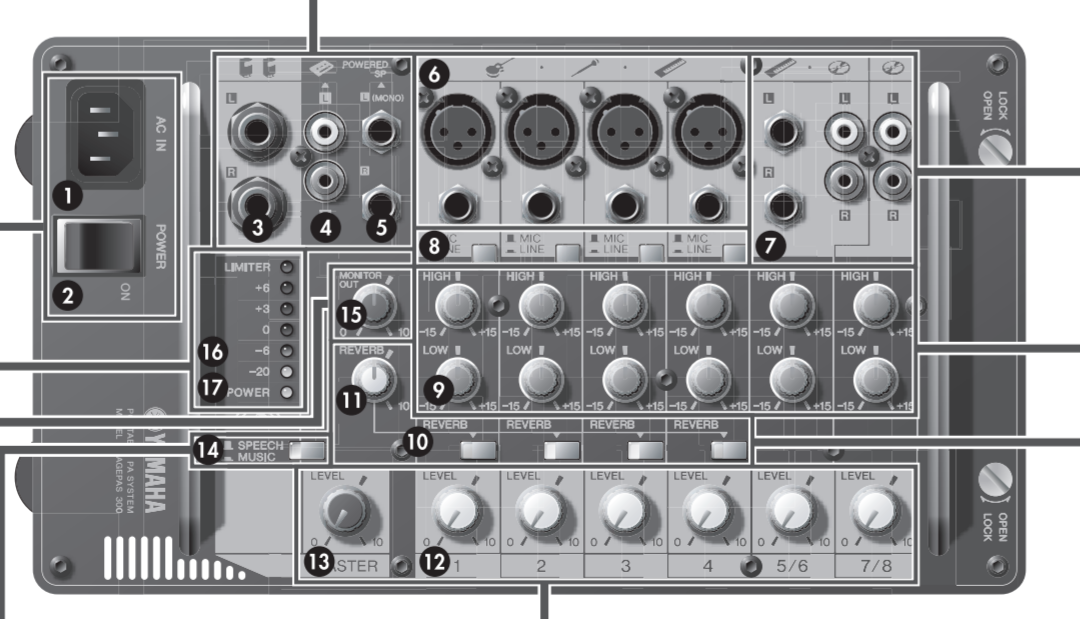
**NOTE:** The MASTER LEVEL Control does not affect the signal via the MONITOR OUT Control.

**14 SPEECH/MUSIC switch**  
Set this switch to SPEECH ( ) to optimize the mixer settings and sound quality for speech purposes and announcements. Set this to MUSIC ( ) to optimize the mixer for musical performance. The switch lights up in yellow when it is set to MUSIC ( ).

**3 SPEAKER L/R jacks (for included speakers only)**  
These output the mixed signal channels from 1 to 7/8, and the level is adjusted with the MASTER LEVEL control. Connect only the included speakers.

**4 REC OUT L/R jacks**  
These output the mixed signal channels from 1 to 7/8, and the level is unaffected by the MASTER LEVEL control. You can use these jacks, for example, to connect to an external recorder.

**5 MONITOR OUT L (MONO) /R jacks**  
These output the mixed signal channels from 1 to 7/8, and the level is adjusted with the MONITOR OUT control. These jacks are convenient for connecting an external powered speaker for monitoring purposes.



**12 LEVEL control**  
Use these controls to adjust the volume balance among the various channels.

**Caution:** To reduce noise, set any LEVEL controls on unused channels to the minimum.

**13 MASTER LEVEL Control**  
Determines the volume of the signal output from the SPEAKER L/R jacks. This allows you to adjust the overall volume without changing the relative volume balance among the various channels (made with the LEVEL controls) or the tone settings (made with the Equalizer).

**6 Channel input jacks (CH 1 to 4)**  
For connecting a guitar, microphone, keyboard or other instrument/device. For low-level signals (such as that of microphones), set the MIC/LINE switch to the MIC ( ) position. For high-level signals (such as keyboard instruments and audio equipment), set the MIC/LINE switch to the LINE ( ) position.

**NOTE:** On any given channel, you may use either XLR or phone jack, but not both. Please connect to only one of these jacks on each channel.

**7 Stereo channel input jacks (CH 5/6, 7/8)**  
Input the left and right channels of a stereo signal into the respective odd and even channels of the mixer. These inputs are intended mainly for use with instruments and equipment having stereo outputs, such as a synthesizer or CD player.

**NOTE:** The channel 5/6 input provides two sets of jacks—both phone jacks and RCA-pin jacks. Either one of these jacks may be used, but not both at the same time. Please connect to only one of these jacks on each channel.

**8 MIC/LINE switch**  
Set this switch to MIC or LINE for channels 1 to 4, depending on the level of the input signal. For low-level signals (such as that of microphones), set the switch to the MIC ( ) position. For high-level signals (such as keyboard instruments and audio equipment), set the switch to the LINE ( ) position.

**9 Equalizer**

**HIGH** Determines the level of the high frequency band for each channel. Rotating the knob clockwise boosts the high frequencies and produces a clearer, crisper sound. If you start getting feedback (a high-pitched squealing sound) or you want to make the sound softer and less harsh, turn the knob counterclockwise slightly.

**LOW** Determines the level of the low frequency band for each channel. Rotating the knob clockwise boosts the low frequencies and produces a deeper, warmer sound. If you start getting feedback or you want to make the sound less boomy, turn the knob counterclockwise slightly.

**10 REVERB switch**  
Set this switch to ON to recreate the rich ambience of various performance environments, such as a concert hall or a night club. The switch lights up in green when REVERB is ON ( ).

**11 REVERB control**  
Determines the overall level of the reverb or echo that is applied to the output signal. For best results, this level should not be set very high, to avoid possible feedback and to prevent the sound from becoming "muddy" with too much reverb.

**Convenient built-in storage compartment**

Microphones

The STAGEPAS 300 features a convenient storage compartment in the speaker box for packing the included power cable, speaker cable, Owner's Manual (this booklet), and an optional microphone, as shown above. Remove the rear panel of the speaker and put in the things you need. Carry the STAGEPAS 300 with you, and you've got all you need to set up and perform—anywhere, anytime.

## Free Manuals Download Website

<http://myh66.com>

<http://usermanuals.us>

<http://www.somanuals.com>

<http://www.4manuals.cc>

<http://www.manual-lib.com>

<http://www.404manual.com>

<http://www.luxmanual.com>

<http://aubethermostatmanual.com>

Golf course search by state

<http://golfingnear.com>

Email search by domain

<http://emailbydomain.com>

Auto manuals search

<http://auto.somanuals.com>

TV manuals search

<http://tv.somanuals.com>