



PORTABLE PA SYSTEM

STAGEPAS 600 BT
STAGEPAS 400 BT

Owner's Manual

Mode d'emploi

Manual de instrucciones

English

Français

Español

EN
FR
ES

FCC INFORMATION (U.S.A.)

1. IMPORTANT NOTICE: DO NOT MODIFY THIS UNIT!

This product, when installed as indicated in the instructions contained in this manual, meets FCC requirements. Modifications not expressly approved by Yamaha may void your authority, granted by the FCC, to use the product.

2. IMPORTANT:

When connecting this product to accessories and/or another product use only high quality shielded cables. Cable/s supplied with this product MUST be used. Follow all installation instructions. Failure to follow instructions could void your FCC authorization to use this product in the USA.

3. NOTE:

This product has been tested and found to comply with the requirements listed in FCC Regulations, Part 15 for Class "B" digital devices. Compliance with these requirements provides a reasonable level of assurance that your use of this product in a residential environment will not result in harmful interference with other electronic devices. This equipment generates/uses radio frequencies and, if not installed and used according to the instructions found in the users manual, may cause interference harmful to the operation of other electronic devices. Compliance with FCC regulations does

not guarantee that interference will not occur in all installations. If this product is found to be the source of interference, which can be determined by turning the unit "OFF" and "ON", please try to eliminate the problem by using one of the following measures:

Relocate either this product or the device that is being affected by the interference.

Utilize power outlets that are on different branch (circuit breaker or fuse) circuits or install AC line filter/s.

In the case of radio or TV interference, relocate/reorient the antenna. If the antenna lead-in is 300 ohm ribbon lead, change the lead-in to co-axial type cable.

If these corrective measures do not produce satisfactory results, please contact the local retailer authorized to distribute this type of product. If you can not locate the appropriate retailer, please contact Yamaha Corporation of America, Electronic Service Division, 6600 Orangethorpe Ave, Buena Park, CA90620

The above statements apply ONLY to those products distributed by Yamaha Corporation of America or its subsidiaries.

* This applies only to products distributed by YAMAHA CORPORATION OF AMERICA.

(class B)

COMPLIANCE INFORMATION STATEMENT (DECLARATION OF CONFORMITY PROCEDURE)

Responsible Party : Yamaha Corporation of America
Address : 6600 Orangethorpe Ave., Buena Park, Calif. 90620
Telephone : 714-522-9011
Type of Equipment : PORTABLE PA SYSTEM
Model Name : STAGEPAS 600BT, STAGEPAS 400BT

This device complies with Part 15 of the FCC Rules.

Operation is subject to the following two conditions:

- 1) this device may not cause harmful interference, and
- 2) this device must accept any interference received including interference that may cause undesired operation.

See user manual instructions if interference to radio reception is suspected.

* This applies only to products distributed by
YAMAHA CORPORATION OF AMERICA.

(FCC DoC)

This device complies with Part 15 of the FCC Rules. Operation is subject to the following two conditions: (1) this device may not cause harmful interference, and (2) this device must accept any interference received, including interference that may cause undesired operation.

(fcc_sengen)

FCC CAUTION

Changes or modifications not expressly approved by the party responsible for compliance could void the user's authority to operate the equipment.

이 기기는 가정용(B급) 전자파적합기기로서 주로 가정에서 사용하는 것을 목적으로 하며, 모든 지역에서 사용할 수 있습니다.

(class b korea)

PRECAUTIONS

PLEASE READ CAREFULLY BEFORE PROCEEDING

Please keep this manual in a safe place for future reference.

WARNING

Always follow the basic precautions listed below to avoid the possibility of serious injury or even death from electrical shock, short-circuiting, damages, fire or other hazards. These precautions include, but are not limited to, the following:

Power supply/power cord

- Do not place the power cord near heat sources such as heaters or radiators, and do not excessively bend or otherwise damage the cord, place heavy objects on it, or place it in a position where anyone could walk on, trip over, or roll anything over it.
- Only use the voltage specified as correct for the mixer. The required voltage is printed on the name plate of the mixer.
- Use only the supplied power cord.
If you intend to use the device in an area other than in the one you purchased, the included power cord may not be compatible. Please check with your Yamaha dealer.
- Check the electric plug periodically and remove any dirt or dust which may have accumulated on it.
- When setting up the device, make sure that the AC outlet you are using is easily accessible. If some trouble or malfunction occurs, immediately turn off the power switch and disconnect the plug from the outlet. Even when the power switch is turned off, as long as the power cord is not unplugged from the wall AC outlet, the device will not be disconnected from the power source.
- Remove the electric plug from the outlet when the device is not to be used for extended periods of time, or during electrical storms.
- Be sure to connect to an appropriate outlet with a protective grounding connection.

Do not open

- This device contains no user-serviceable parts. Do not open the device or attempt to disassemble the internal parts or modify them in any way. If it should appear to be malfunctioning, discontinue use immediately and have it inspected by qualified Yamaha service personnel.

Water warning

- Do not expose the device to rain, use it near water or in damp or wet conditions, or place on it any containers (such as vases, bottles or glasses) containing liquids which might spill into any openings. If any liquid such as water seeps into the device, turn off the power immediately and unplug the power cord from the AC outlet. Then have the device inspected by qualified Yamaha service personnel.
- Never insert or remove an electric plug with wet hands.

Hearing loss

- Avoid setting all equalizer controls and level controls to their maximum. Depending on the condition of the connected devices, doing so may result in feedback that can cause hearing loss and damage the speakers.
- Before connecting the device to other devices, turn off the power for all devices. Also, before turning the power of all devices on or off, make sure that all volume levels are set to the minimum. Failing to do so may result in hearing loss, electric shock, or device damage.
- When turning on the AC power in your audio system, always turn on the device LAST, to avoid hearing loss and speaker damage. When turning the power off, the device should be turned off FIRST for the same reason.

Fire warning

- Do not place any burning items or open flames near the device, since they may cause a fire.

Wireless unit

- Do not use this device near medical devices or inside medical facilities. Radio waves from this device may affect electro-medical devices.
- Do not use this device within 15 cm (6 in) of persons with a heart pacemaker implant or a defibrillator implant. Radio waves from this device may affect electro-medical devices, such as a heart pacemaker implant or defibrillator implant.

If you notice any abnormality

- If any of the following problems occur, immediately turn off the power switch and disconnect the electric plug from the outlet.
 - The power cord or plug becomes frayed or damaged.
 - Unusual smells or smoke are emitted.
 - Some object has been dropped into the device.
 - There is a sudden loss of sound during use of the device.
 - Cracks or other visible damage appear on the device.
 Then have the device inspected or repaired by qualified Yamaha service personnel.
- If this device should be dropped or damaged, immediately turn off the power switch, disconnect the electric plug from the outlet, and have the device inspected by qualified Yamaha service personnel.

CAUTION

Always follow the basic precautions listed below to avoid the possibility of physical injury to you or others, or damage to the device or other property. These precautions include, but are not limited to, the following:

Power supply/power cord

- When removing the electric plug from the device or an outlet, always hold the plug itself and not the cord. Pulling by the cord can damage it.

Location

- Do not place the device in an unstable position where it might accidentally fall over and cause injuries.
- Do not block the vents. This mixer has ventilation holes at the top and sides to prevent the internal temperature from becoming too high. In particular, do not place the mixer on its side or upside down. Inadequate ventilation can result in overheating, possibly causing damage to the mixer, or even fire.
- If you install the mixer apart from the speakers:
 - Do not cover it with any cloth.
 - Make sure the top surface faces up; do not install on its sides or upside down.
 - Do not use the device in a confined, poorly-ventilated location.Inadequate ventilation can result in overheating, possibly causing damage to the device(s), or even fire. Make sure that there is adequate space around the device: at least 30 cm above, 30 cm at the sides and 30 cm behind.
- If you lay the speaker flat on its side or like a stage monitor, make sure to remove the mixer first.
- Do not use the speaker's handles for suspended installation. Doing so can result in damage or injury.
- Do not hold the bottom of the speaker when transporting or moving it. In doing so, you may pinch your hands under the speaker, and result in injury.
- Do not place the device in a location where it may come into contact with corrosive gases or salt air. Doing so may result in malfunction.
- Before moving the device, remove all connected cables.

Connections

- For the SPEAKERS jacks of the mixer, use only the included MODEL 600S or MODEL 400S speakers and speaker cables. Use of other types of speakers and cables may result in damage, or even fire.

Maintenance

- Remove the power plug from the AC outlet when cleaning the device.

Handling caution

- Do not insert your fingers or hands in any gaps or openings on the vents or panel of the mixer, and the ports of the speaker.
- Avoid inserting or dropping foreign objects (paper, plastic, metal, etc.) into any gaps or openings on the vents or panel of the mixer, and the ports of the speaker. If this happens, immediately turn off the power of the mixer, unplug the power cord from the AC outlet, and have the device inspected by qualified Yamaha service personnel.
- Do not rest your weight on the device or place heavy objects on it. Avoid applying excessive force to the buttons, switches or connectors to prevent injuries.
- Do not operate the device if the sound is distorting. Prolonged use in this condition could cause overheating and result in fire.
- Avoid pulling the cables such as microphones to prevent injuries or damage to the speakers and mixer by causing them to fall.

Yamaha cannot be held responsible for damage caused by improper use or modifications to the device.

NOTICE

To avoid the possibility of malfunction/ damage to the product, damage to data, or damage to other property, follow the notices below.

■ Handling and maintenance

- Do not expose the device to excessive dust or vibration, or extreme cold or heat (such as in direct sunlight, near a heater, or in a car during the day), in order to prevent the possibility of panel disfiguration, unstable operation, or damage to the internal components.
- Do not place vinyl, plastic or rubber objects on the device, since this might discolor the panel.
- When cleaning the device, use a dry and soft cloth. Do not use paint thinners, solvents, cleaning fluids, or chemical-impregnated wiping cloths.
- Condensation can occur in the device due to rapid, drastic changes in ambient temperature—when the device is moved from one location to another, or air conditioning is turned on or off, for example. Using the device while condensation is present can cause damage. If there is reason to believe that condensation might have occurred, leave the device for several hours without turning on the power until the condensation has completely dried out.
- **Protection Circuit:** This speaker system has an internal protection circuit that shuts off the speaker unit when an excessive input signal is applied. If the speaker unit emits no sound, reduce the volume level of the amplifier immediately. The sound will return automatically in several seconds.
- When placing the speaker face down, always place it on a flat surface.
- Do not touch the speaker driver unit.
- The rubber feet included in this package can be attached to the speaker to prevent slippage when it is to be used on a slippery surface.
- Air blowing out of the bass reflex ports is normal, and often occurs when the speaker is handling program material with heavy bass content.
- Always turn the power off when the device is not in use.

■ Connectors

- XLR-type connectors are wired as follows (IEC60268 standard):
pin 1: ground
pin 2: hot (+)
pin 3: cold (-).

Information

■ About this manual

- The illustrations as shown in this manual are for instructional purposes only.
- The company names and product names in this manual are the trademarks or registered trademarks of their respective companies.

■ About disposal

- This product contains recyclable components. When disposing of this product, please contact the appropriate local authorities.



The Bluetooth® word mark and logos are registered trademarks owned by Bluetooth SIG, Inc. and any use of such marks by Yamaha Corporation is under license.

The model number, serial number, power requirements, etc., may be found on or near the name plate, which is at the bottom of the unit. You should note this serial number in the space provided below and retain this manual as a permanent record of your purchase to aid identification in the event of theft.

Model No.

Serial No.

(bottom_en_01)

Thank you for purchasing the Yamaha STAGEPAS 600BT/400BT Portable PA System! The STAGEPAS is an all-in-one portable PA system, consisting of two dedicated speakers and a powered mixer. It is designed to amplify music or speeches at live events or during other productions.

This owner's manual explains how to set up and operate the STAGEPAS for use as a loudspeaker for music and speeches by individuals, companies, or schools. To get the most out of your new STAGEPAS and its sophisticated functions, we suggest that you read through this manual thoroughly, and keep it in a safe place for future reference.

Table of Contents

PRECAUTIONS 3

NOTICE 5

Information 5

Features 6

Model description 7

Attaching a speaker to a speaker stand 7

Attaching non-skid pads 7

Controls and Functions 8

Quick Start Guide 11

Using a Bluetooth® device 15

Troubleshooting 16

Specifications 17

Features

- High-output power amplifier for versatility in a wide variety of performance applications.
- Two-way bass-reflex type speakers for high-quality, powerful sound.
- Multi-channel mixer supports a wide range of inputs.
- Bluetooth input for wireless high-quality sound from smartphones or tablets.
- Yamaha's high-quality SPX reverb, which provides optimum processing for instruments or vocals.
- Feedback Suppressor, which automatically cuts and prevents undesirable feedback noise.
- Independent equalizer on each channel for tonal adjustment and sound control.

<p>Package Contents (Please confirm that all items are included.)</p>
--

- Main unit
(Dedicated speakers (STAGEPAS 600BT: MODEL 600S, STAGEPAS 400BT: MODEL 400S) x 2, powered mixer x 1)
- Power cord (2m) x 1
- Speaker cables (6m) x 2
- Non-skid pads x 12
- Ferrite core x 2
- Cable tie x 2
- Owner's Manual (this book)

Model description

There are two models of Bluetooth-enabled STAGEPAS. The following table describes the differences in mixer functions between these models.

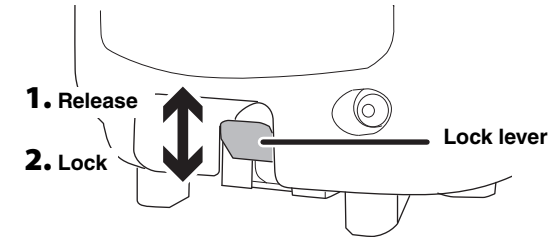
Model name	Line-in channels	Equalizer
STAGEPAS 600BT	CH 5/6, CH7/8, CH9/10	HIGH, MID, LOW
STAGEPAS 400BT	CH 5/6, CH7/8	HIGH, LOW

NOTE

This manual primarily uses the STAGEPAS 600BT for purposes of explanation.

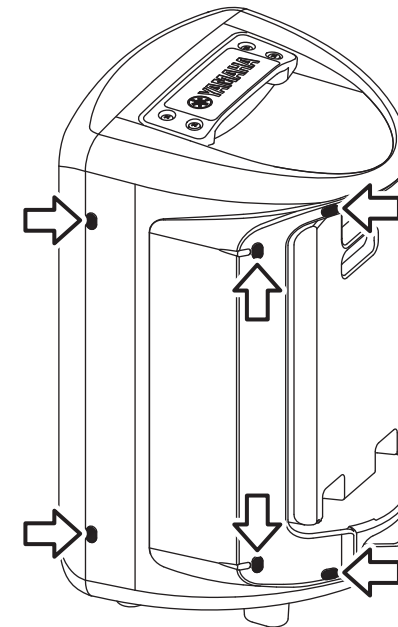
Attaching a speaker to a speaker stand

1. Attach the speaker to the speaker stand with the lock lever moved up (release position).
2. Move the lock lever down to lock to the stand.

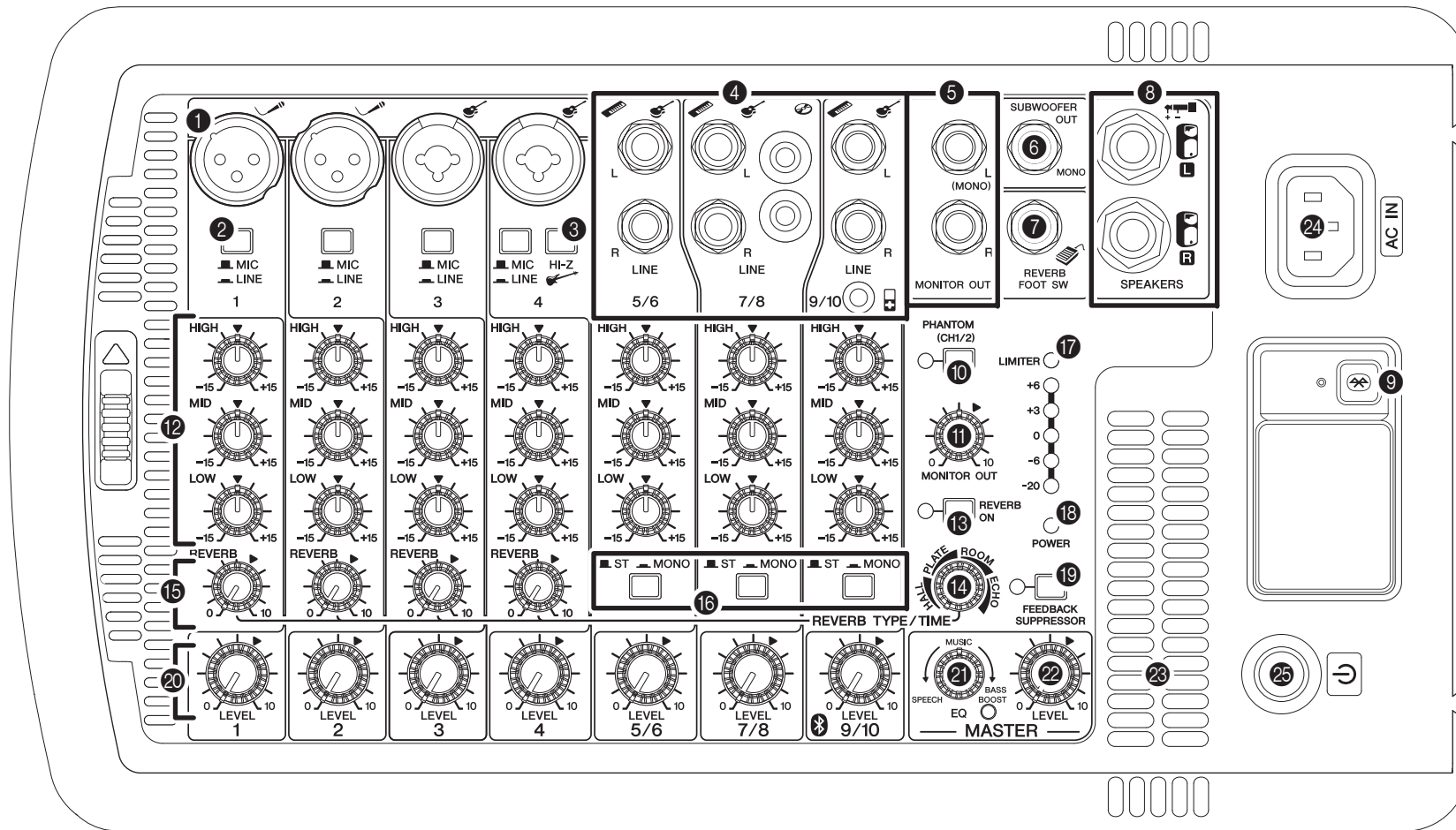


Attaching non-skid pads

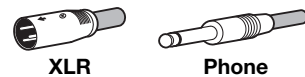
If you plan to lay the speaker flat on its side, attach the included non-skid pads in the locations indicated by arrows in the figure below.



Controls and Functions



- 1 Mic/Line input jacks (channels 1-4)**
 Connect microphones, guitars, electronic musical instruments or audio equipment. Channels 3 and 4 provide combo jacks that support both XLR and phone plugs.



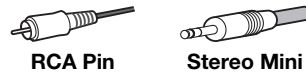
- 2 MIC/LINE switches (channels 1-4)**
 For low-level signals (including microphones), set the switch to the MIC (⬇️) position. For high-level signals (including electronic instruments and audio equipment), set the switch to the LINE (⬆️) position.

3 Hi-Z switch (channel 4)

This switch is used when connecting a device directly to the mixer without a DI (direct box) — for example, instruments with passive pickups, such as an acoustic-electric guitar or electric bass without a battery. This function is effective only for the phone jack input.

**4 Line (stereo) input jacks
STAGEPAS 600BT (channels 5/6, 7/8, 9/10)
STAGEPAS 400BT (channels 5/6, 7/8)**

Connect line-level devices such as electronic instruments, acoustic-electric guitars, CD players, and portable audio players. These jacks support phone, RCA-pin, and stereo-mini plugs.



NOTE

For the channel 7/8 input (STAGEPAS 600BT), or for the channel 5/6 input (STAGEPAS 400BT), if both phone and RCA-pin jacks are used at the same time, the phone jack will take priority. For the channel 9/10 input (STAGEPAS 600BT), or the channel 7/8 (STAGEPAS 400BT), if both phone and stereo mini jacks are used at the same time, the stereo mini jack will take priority. The signal from the device connected to another jack will be muted. The signals from the Bluetooth device specified by the Bluetooth button 9 are always mixed to channels 9/10 (STAGEPAS 600BT) or channels 7/8 (STAGEPAS 400BT).

5 MONITOR OUT jacks

These connect to powered speakers for monitoring purposes, and output a mix of the signals from channels 1 to 9/10 (STAGEPAS 600BT) or channels 1 to 7/8 (STAGEPAS 400BT). You can adjust the output level using the MONITOR OUT control 11. If only the L (MONO) jack is used, the signals from the L and R channels are mixed and output.

6 SUBWOOFER OUT jack

This connects to a powered subwoofer, and outputs a mono signal. If this jack is in use, the low frequencies below 120Hz to the SPEAKERS L/R jacks will be cut. The output level is linked to that of the MASTER LEVEL control 22.

7 REVERB FOOT SW jack

This connects to an unlatched-type footswitch, such as the Yamaha FC5. This can be useful for solo performers, since you can toggle the reverb on and off as needed with your foot.

8 SPEAKERS L/R jacks

Use the included speaker cables to connect the dedicated speakers.

9 Bluetooth button/LED

This button switches the Bluetooth function on or off. It is also used to pair (register) a Bluetooth device (page 15). The Bluetooth LED indicates the following status:

LED	Status
Off	Bluetooth off
Lit steadily	Bluetooth connected
Flashing slowly	Waiting for Bluetooth connection
Flashing fast	Pairing a Bluetooth device

NOTE

The STAGEPAS enables you to pair (register) up to eight Bluetooth devices. Once the ninth Bluetooth device has been paired successfully, the pairing information for the Bluetooth device that was connected earliest will be deleted.

10 PHANTOM (CH1/2) switch /LED

When this switch is on, the LED lights up, indicating that phantom power is available for channels 1 and 2. Turn this switch on to supply power to condenser microphones or a DI (direct box).

Notice

- Follow the important precautions below to prevent noise and possible damage to external devices and the unit when you operate this switch.
- Be sure to leave this switch off if you do not need phantom power, or when you connect a device that does not support phantom power to channels 1 or 2.
 - Do not connect/disconnect a cable to/from channels 1 and 2 while this switch is on.
 - Turn the LEVEL control of the channels 1 and 2 to the minimum before operating this switch.

11 MONITOR OUT control

Determines the signal level output from the MONITOR OUT jacks 5. The MASTER LEVEL control does not affect the MONITOR OUT signal.

12 Equalizer controls (HIGH, MID*, LOW) *Only for STAGEPAS 600BT

This three-band equalizer adjusts the channel's high, mid*, and low frequency bands. Setting the control to the "▼" position produces a flat response in the corresponding band. Turning the control clockwise boosts the selected band. If you start getting feedback, turn the control back slightly.

13 REVERB switch/LED

When this switch is on, the LED lights up, indicating that you can apply reverb. This switch is off when you turn on the unit. (Unlike other switches, this switch cannot be locked.)

14 REVERB TYPE/TIME control

Determines the reverb type and length. Turning the control to the right lengthens the time of the selected reverb type.

HALL: Simulated reverb of a large space, such as a concert hall.

PLATE: Simulated metal plate reverb, producing a more hard-edged and bright sound.

ROOM: Simulated acoustic ambience of a small room.

ECHO: Echo effect suitable for vocals.

15 REVERB controls (channels 1-4)

Determines the amount of reverb for each channel when the REVERB switch **13** is on.

16 ST/MONO switches

STAGEPAS 600BT (channels 5/6, 7/8, 9/10)

STAGEPAS 400BT (channels 5/6, 7/8)

Setting the switch to ST (STEREO) (■) will assign the signals from the L and R channels to each left and right speaker and output each signal. Setting the switch to MONO (■) will mix the output of different L and R sources to output the same signal to both the left and right speakers. For keyboards with mono output, guitars, or other non-stereo sound sources, when the switch is set to MONO (■), the stereo input jacks can be conveniently used as multiple mono jacks.

17 LEVEL meter

The LEVEL meter shows the level of output signal from the SPEAKERS L/R jacks.

Notice

If the unit is operated at a sufficiently high volume to make the LIMITER LED flashes continuously, the internal power amplifier section is being excessively overloaded and may malfunction. Reduce the output level with the MASTER LEVEL control so that the indicator flashes only briefly on the highest transient peaks.

18 POWER LED

This LED lights when the power is turned on by pressing the power switch.

19 FEEDBACK SUPPRESSOR switch/LED

When this switch is on, the LED lights up, indicating that feedback is automatically suppressed. (This configuration utilizes a seven-band notch filter. When this switch or the power switch is off, the notch filter will be reset.)

20 LEVEL controls

Use these controls to adjust the volume for each channel. To reduce noise, set any LEVEL controls on unused channels to the minimum.

21 MASTER EQ (equalizer) control

Use this control to adjust the overall sound frequency balance. The center position "MUSIC" is a basic setting. If you turn the control counterclockwise, it will create an optimum setting for speech, cutting unneeded low range frequencies. If you turn the control clockwise, it will create an optimum setting for playback of sound sources, since the low range is boosted. If you turn the control further clockwise, the LED will light up, indicating that the bass boost function turns on, giving you an even more powerful bass tone.

22 MASTER LEVEL control

Determines the volume of the signal output from the SPEAKERS L/R jacks. This allows you to adjust the overall volume without changing the relative volume balance among the various channels.

23 Vents

These are the vents for the cooling fan inside the mixer. Do not block the vents when in use.

24 AC IN jack

Connect the included power cord here.

25 ⏻ (power) switch

For turning the power of the mixer on (■) and off (■).

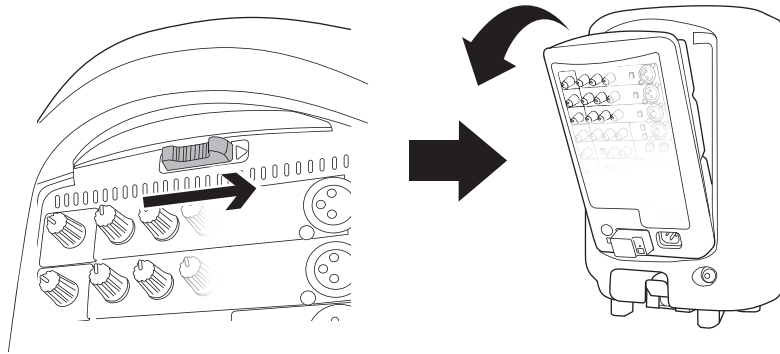
NOTE

Rapidly turning the unit on and off in succession may cause it to malfunction. After turning the unit off, wait for about 5 seconds before turning it on again.

Quick Start Guide

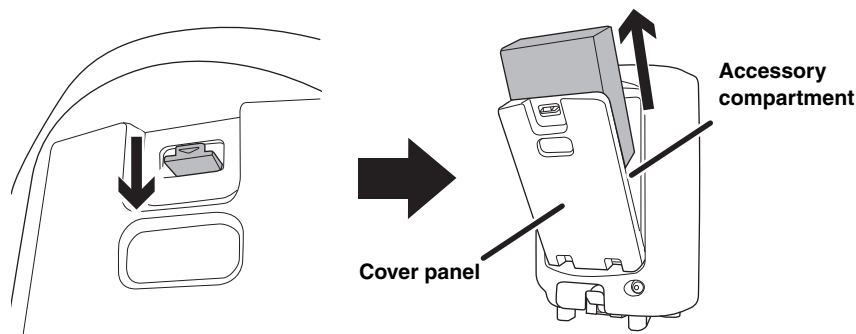
Connecting the speakers and the mixer

1. Slide the mixer's lock in the direction of the arrow (shown below), and then remove it from the speaker.



2. Open the cover panel attached to the other speaker, and then remove the box from inside the accessory compartment.

Two speaker cables and one power cord are included in the box.

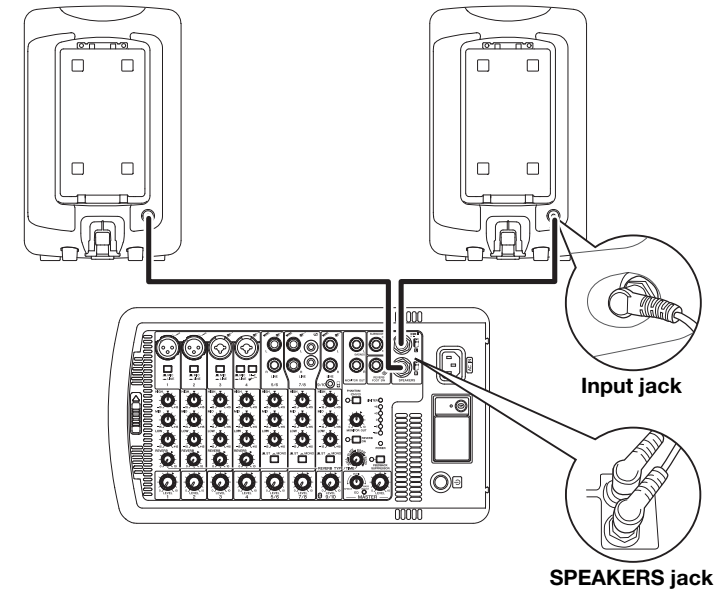


NOTE

After the box is removed, loose items, such as the included power cord, speaker cables, and an optional microphone can be conveniently stored in the accessory compartment.

3. Connect the speakers and the mixer.

Connect the mixer's SPEAKERS jacks (red) to the speakers' input jacks (red) using the included speaker cables. As shown in the illustration below, be sure to insert the speaker cables all the way inside until secure.



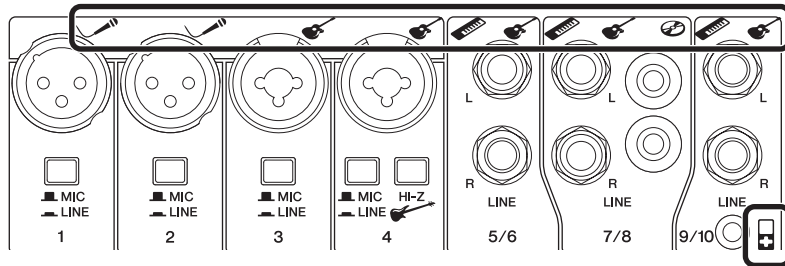
Notice

Use only the included speaker cables. Use of other cables may result in heat generation, or short circuiting.

Connecting microphones, instruments, and audio devices to the mixer

- 4. Connect desired devices, such as a microphone, or an instrument to the input jack of the mixer.**

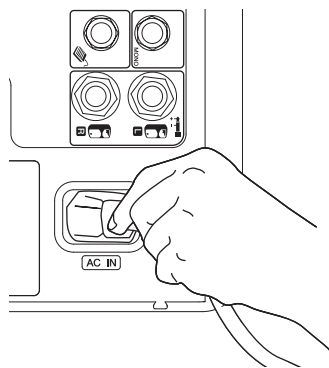
Refer to the illustration on the mixer shown below or the connection example of the cover panel of the accessory compartment.



Getting sound out of the system

- 5. Connect the included power cord as described in the steps below: Before connecting the power cord, make sure that the power to the STAGEPAS is turned off.**

- 5-1 Connect the plug on the included power cord to the AC IN jack on the rear panel of the unit.**



- 5-2 Connect the other end of the power cord to a power outlet.**

NOTE

To disconnect the power cord, reverse these steps.



Warning

The STAGEPAS has been designed for grounded use. To avoid electrical shock and damage to devices, be sure to ground the unit using the included power cord. If you have any questions regarding connections, contact your nearest Yamaha dealer.



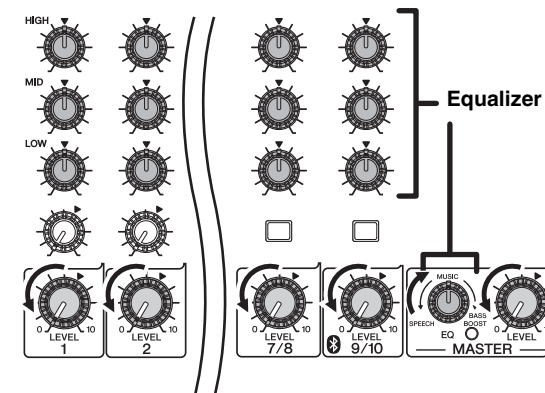
Warning

Use only the included power cord. Otherwise, heat may be generated or electrical shock may be caused.

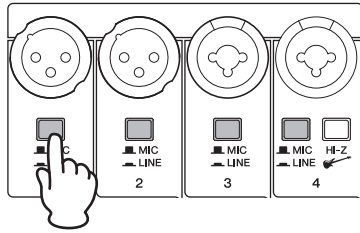
Notice

Even when the power switch is turned off, a minimal amount of electric current is still flowing to the unit. If you plan not to use the unit for an extended period of time, be sure to unplug the power cord from the AC outlet.

- 6. Turn the mixer's LEVEL controls (white knobs) and MASTER LEVEL control (red knob) to the minimum (zero).**
Also, set the equalizer controls (green knobs) to the center "▼" or "MUSIC" position.

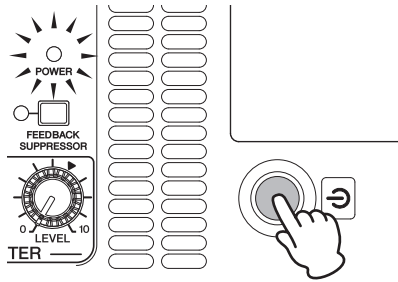


- 7. Set the MIC/LINE switch to the MIC (🔊) position to connect a microphone, and to the LINE (🔌) position to connect a musical instrument or audio device.**

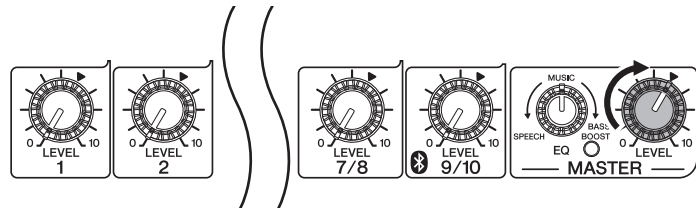


- 8. Turn on the power of the connected sound source (if applicable), then the mixer.**

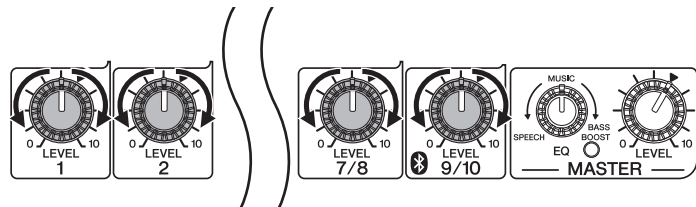
The POWER LED lights.



- 9. Set the MASTER LEVEL control to the “▼” position.**



- 10. While playing your instrument or singing into the microphone, use the LEVEL control to adjust the volume of the corresponding channel.**



- 11. Use the MASTER LEVEL control to adjust the overall volume.**

If you hear the sound and the volume seems appropriate, setup is complete. If not, please refer to the checklist in the “Troubleshooting” section.

NOTE

To avoid loud, unexpected noise from the speaker, first turn off the power to the mixer, then the connected sound source (such as a musical instrument or audio device).

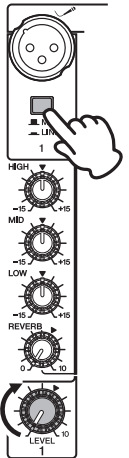
Adjusting the volume

- **When the volume is too loud**

Turn the LEVEL control to the minimum (zero). Set the MIC/LINE switch to the LINE (🔌) position, then slowly raise the LEVEL control until the desired volume is reached.

- **When the volume is too soft**

Turn the LEVEL control to the minimum (zero). Set the MIC/LINE switch to the MIC (🔊) position, then slowly raise the LEVEL control until the desired volume is reached.



Applying Reverb

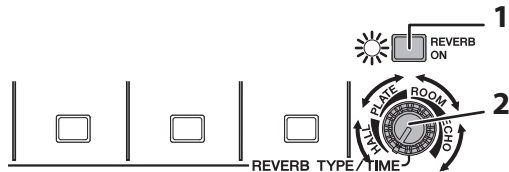
The STAGEPAS features a built-in reverb processor that is in the same league as our famed SPX effect processor series. This reverb lets you simulate the acoustics of different performance environments, such as concert halls and small clubs, and add a warm, natural ambience to your vocals or instrumental performance.

The following reverb types are included:

Type	Description
HALL	Simulated reverb of a large space, such as a concert hall. Suitable for acoustic guitars, strings, woodwind instruments, etc.
PLATE	Simulated metal plate reverb. Adds bright reverb to vocals.
ROOM	Simulated acoustic ambience of a small space. Suitable for percussive instruments with a strong attack.
ECHO	Articulated echo effect suitable for vocals.

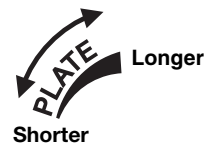
1. Press down the REVERB switch to turn it on.

The LED lights when REVERB is on.



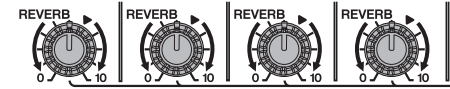
2. Position the REVERB TYPE/TIME control to the desired reverb type and time (length).

Turning the control to the right lengthens the time of the selected reverb type.



3. Use the REVERB control to adjust the reverb amount of the corresponding channel.

If necessary, repeat steps 2 and 3 to determine the optimum reverb setting.



Using a Bluetooth® device

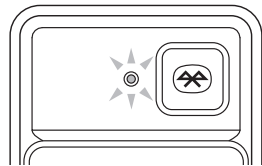
You can use the STAGEPAS to play audio files stored in Bluetooth devices, such as a mobile device.

Pairing a Bluetooth® device

Before you can connect a Bluetooth device for the first time, you need to “pair” the device. “Pairing” refers to registering a Bluetooth device to another Bluetooth device.

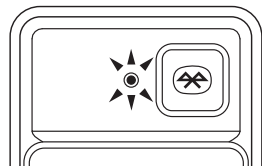
Once pairing is complete, you will be able to reconnect those devices easily after you terminate a Bluetooth connection.

- 1. Make sure that the Bluetooth LED is turned off. If the LED is lit steadily or flashing, press the Bluetooth button to switch off the Bluetooth function.**
- 2. Press and hold down the Bluetooth button for three seconds or longer.**
The Bluetooth LED will flash rapidly, indicating that the unit is ready for pairing.



- 3. Turn on the Bluetooth function on the Bluetooth device that you want to pair.**
For more information, refer to the owner's manual for the Bluetooth device.
- 4. Once the Bluetooth device displays a list of other Bluetooth devices that are available for connection, select STAGEPAS 600BT or STAGEPAS 400BT.**

When the pairing process is complete, the Bluetooth connection will be established and the Bluetooth LED will light up.



NOTE

- The STAGEPAS enables you to pair (register) up to eight Bluetooth devices. Once the ninth Bluetooth device has been paired successfully, the pairing information for the Bluetooth device that was connected earliest will be deleted.
- You must complete the pairing process on the Bluetooth device within two minutes.

Connecting a Bluetooth® device

- 1. Press and hold down the Bluetooth button for one second.**
The Bluetooth LED will flash slowly, indicating that the unit is ready for connection.
- 2. Turn on the Bluetooth function on the Bluetooth device that you want to connect.**
Select STAGEPAS 600BT or STAGEPAS 400BT from the list of Bluetooth devices displayed on your Bluetooth device. When the connection is made, the Bluetooth LED will light up.

Playing audio files stored in a Bluetooth® device

Play an audio file on your Bluetooth device.

Signals from the Bluetooth device are input to channels 9/10 (STAGEPAS 600BT) or channels 7/8 (STAGEPAS 400BT).

We recommend that you set the volume on the Bluetooth device a little higher than normal, and then adjust the volume for each channel using the LEVEL controls.

If you receive a call or text message while playing audio files on your Bluetooth device such as a smartphone, the audio file playback might be paused momentarily. To avoid this interruption, enable Airplane Mode, and then set Bluetooth to ON on your smartphone.

Disconnecting the Bluetooth® device

To disconnect the Bluetooth device, do one of the following:

- Use the Bluetooth device to disconnect. (The Bluetooth LED on the unit will flash slowly, indicating that the unit is disconnected and waiting for connection.)
- Press the Bluetooth button on the unit to turn off the Bluetooth function. (The Bluetooth LED will turn off.)

Notice

Before you turn off the power to the unit, make sure that the Bluetooth function is turned off (The Bluetooth LED is turned off). If you turn off the power to the unit while the Bluetooth function remains enabled, the unit might lose the pairing information.

NOTE

After turning the Bluetooth function off, wait for at least 6 seconds before turning it on again. The Bluetooth function will not turn on even if you press the Bluetooth button immediately after you turn the function off.

Troubleshooting

Power does not turn on.

- Did you firmly and securely connect the power cord?

Power shuts down suddenly.

- Are the vents of the mixer blocked?
Since inadequate ventilation can result in overheating the mixer, the power may be turned off automatically to protect the system from overheating. Arrange the ventilation for cooling, then turn on the power again.

No sound is heard.

- Did you connect the mixer's SPEAKERS jacks and the speakers' input jacks using the proper speaker cables?
- Did you firmly and securely connect the speaker cables?
- Is a speaker other than the included speaker connected to the mixer's SPEAKERS jacks?
Please connect the included speaker (STAGEPAS 600BT: MODEL 600S; STAGEPAS 400BT: MODEL 400S).
- Did you use the included speaker cables?
If you use a commercially-available speaker cable with a metal-housing connector, the cable will be shorted when the connector touches other metal, resulting in no sound being produced.
- Is the POWER LED flashing at intervals?
There may be a short in the speaker cable or the connection may be faulty. Check that the speaker cable is not scratched and is connected properly to the mixer, then reapply the power.
- For channels 7/8 (STAGEPAS 600BT) or channels 5/6 (STAGEPAS 400BT), are both phone and RCA-pin jacks connected at the same time?
Or, for channels 9/10 (STAGEPAS 600BT) or channels 7/8 (STAGEPAS 400BT), are both phone and stereo mini jacks connected at the same time?
For channels 7/8 (STAGEPAS 600BT), or channels 5/6 (STAGEPAS 400BT), the phone jack takes priority. For channels 9/10 (STAGEPAS 600BT), or channels 7/8 (STAGEPAS 400BT), the stereo mini jack takes priority.

- Is the POWER LED flashing continuously?
If the internal power amplifier section is excessively overloaded, the amplifier will be muted for protection. The mixer will automatically reset itself after a while.

Sound is distorted or noise is produced

- Are the LEVEL controls of all relevant channels and/or the MASTER LEVEL control set too high?
- Is the MIC/LINE switch of the corresponding channel set to MIC?
If the input level from the source is high, setting the MIC/LINE switch to MIC may result in a distorted sound. Set the switch to LINE position.
- Is the volume of the connected device too high?
Lower the volume of the external device.
- Is the speaker cable or the power cord located near the input cables?
Please keep it away from the input cables.

Sound is not loud enough

- Are the LEVEL controls of all relevant channels and/or the MASTER LEVEL control set too low?
- Is the MIC/LINE switch of the corresponding channel set to LINE?
Turn the LEVEL control to the minimum (zero). Set the switch to the MIC position, then slowly raise the LEVEL control.
- Is the volume of the connected device too low?
Raise the volume of the external device.
- Is the PHANTOM switch set to On when using a microphone that requires phantom power?

The high sounds and low sounds are unbalanced.

- Are the equalizer controls raised or lowered too much?
Set the equalizer controls to the center position.
- Is the speaker properly outputting high-frequency range signals?
If not, check the "Protective circuit (poly switch)" note in the Notice section.

Cannot connect Bluetooth / Bluetooth audio sound cuts intermittently

- The unit may be connected to a different Bluetooth device.
Cut the current Bluetooth connection, and then connect to the desired Bluetooth device.
- The STAGEPAS may be located too far away from the Bluetooth device.
The maximum distance between the STAGE PAS and a Bluetooth device should be 10 meters. Locate the Bluetooth device closer to the STAGEPAS.
- Your Bluetooth device may not support the A2DP profile.
Use a Bluetooth device that supports A2DP.
- The unit may be located in the vicinity of a device that emits electro-magnetic waves at a frequency of 2.4 GHz (such as a microwave oven, wireless LAN device, etc.).
Locate the STAGEPAS away from any device that emits electro-magnetic waves.
If your Bluetooth device also features a wireless LAN function, turn off the function, and use only the Bluetooth function.

If a problem persists, please contact your Yamaha dealer.

Specifications

General Specifications

	STAGEPAS 600BT	STAGEPAS 400BT
System Type	Powered mixer with 2 passive speakers	
Maximum Output Power (SPEAKERS L/R)	340 W+340 W/4 Ω @ Dynamic at 1 kHz 280 W+280 W/4Ω @ 10 % THD at 1 kHz ≥ 230 W+230 W/4Ω @ 1 % THD at 1 kHz	200 W+200 W/4 Ω @ Dynamic at 1 kHz 180 W+180 W/4Ω @ 10 % THD at 1 kHz ≥ 125 W+125 W/4Ω @ 1 % THD at 1 kHz
Frequency Response	-3 dB, +1 dB @ 40 Hz-20 kHz, 1 W Output/4Ω (without EQ and SP EQ) (SPEAKERS L/R) -3 dB, +1 dB @ 40 Hz-20 kHz, +4 dBu 10 kΩ Load (MONITOR OUT)	
Total Harmonic Distortion	≤ 0.5 % @ 20 Hz-20 kHz, +11 dBu 10 kΩ (MONITOR OUT)	
Hum & Noise (Rs= 150 Ω, MIC/LINE switch=MIC)	≤ -113 dBu Equivalent input noise (CH1-4)	≤ -113 dBu Equivalent input noise (CH1-4)
	≤ -58 dBu Residual output noise (SPEAKERS L/R)	≤ -60 dBu Residual output noise (SPEAKERS L/R)
Crosstalk (1 kHz)	≤ -70 dB between input channels	
Phantom Voltage	+30 V (CH1, 2)	
Outputs	SPEAKERS OUT (L, R), MONITOR OUT (L/MONO, R), SUBWOOFER OUT (MONO) with auto HPF	
Weight	26.0 kg (57.3 lbs) (Speaker 10.9 kg x 2 + Mixer 3.8 kg)	18.0 kg (39.7 lbs) (Speaker 7.7 kg x 2 + Mixer 2.9 kg)
Power Requirement	100V-240V 50Hz/60Hz	
Power Consumption	35 W (Idle), 100 W (1/8 Power)	30 W (Idle), 70 W (1/8 Power)
Input Channel Equalization	±15 dB	±15 dB
	HIGH 8 kHz shelving	HIGH 8 kHz shelving
	MID 2.5 kHz peaking	—
	LOW 100 Hz shelving	LOW 100 Hz shelving

	STAGEPAS 600BT	STAGEPAS 400BT
Bluetooth Connection		
Bluetooth Version	Bluetooth Ver.4.1	
Supported Profile	A2DP v1.2	
Supported Codec	SBC, AAC	
Supported Content Protection	SCMS-T content protection method	
Wireless Output	Bluetooth class 2	
Maximum communication range	10m (3.3ft) (without interference)	
Transmission Frequencies	2402-2480 MHz	
Maximum output power (EIRP)	4 dBm (2.5 mW)	
Package Contents	Main unit (includes two MODEL 600S Speakers and a Powered Mixer), Power Cord (2m), two Speaker Cables (6m), 12 Non-Skid Pads, two Ferrite Cores, 2 x Cable ties Owner's Manual (this booklet)	Main unit (includes two MODEL 400S Speakers and a Powered Mixer), Power Cord (2m), two Speaker Cables (6m), 12 Non-Skid Pads, two Ferrite Cores, 2 x Cable ties Owner's Manual (this booklet)

■ Dedicated Speaker

	MODEL 600S	MODEL 400S
Enclosure	2 way bass-reflex type	
Speaker Unit	LF: 10" (25 cm) Cone HF: 1.4" (3.56 cm) Compression Driver	LF: 8" (20 cm) Cone HF: 1" (2.54 cm) Compression Driver
Crossover Frequency	2.8 kHz	3.2 kHz
Frequency Range	55 Hz-20 kHz (-10 dB)	
Maximum Output Level	129 dB SPL (Measured peak IEC noise@1m)	125 dB SPL (Measured peak IEC noise@1m)
Coverage Angle	90° (Horizontal) / 60° (Vertical)	

Input Characteristics

■ STAGEPAS 600BT

Input Terminals		MIC/LINE	Input Impedance	Source Impedance	Input Level			Connector Type
					Sensitivity	Nominal	Max. before Clipping	
CH IN 1-2	XLR	MIC	3 k Ω	150 Ω Mics	-56 dBu	-35 dBu	-10 dBu	XLR-3-31
		LINE			-30 dBu	-9 dBu	+16 dBu	
CH IN 3-4	XLR	MIC	3 k Ω	150 Ω Mics	-56 dBu	-35 dBu	-10 dBu	XLR Combo
		LINE			-30 dBu	-9 dBu	+16 dBu	
	Phone	MIC	10 k Ω (Hi-Z 1 M Ω)	150 Ω Lines (Hi-Z 10 k Ω)	-50 dBu	-29 dBu	-4 dBu	
		LINE			-24 dBu	-3 dBu	+22 dBu	
CH IN 5/6	Phone	—	10 k Ω	150 Ω Lines	-24 dBu	-3 dBu	+22 dBu	Phone*
CH IN 7/8	Phone	—	10 k Ω	150 Ω Lines	-24 dBu	-3 dBu	+22 dBu	Phone*
	Pin	—	10 k Ω	150 Ω Lines	-24 dBu	-3 dBu	+22 dBu	RCA Pin
CH IN 9/10	Phone	—	10 k Ω	150 Ω Lines	-18 dBu	+3 dBu	+28 dBu	Phone*
	mini	—	10 k Ω	150 Ω Lines	-18 dBu	+3 dBu	+28 dBu	Stereo Mini

■ STAGEPAS 400BT

Input Terminals		MIC/LINE	Input Impedance	Source Impedance	Input Level			Connector Type
					Sensitivity	Nominal	Max. before Clipping	
CH IN 1-2	XLR	MIC	3 k Ω	150 Ω Mics	-56 dBu	-35 dBu	-10 dBu	XLR-3-31
		LINE			-30 dBu	-9 dBu	+16 dBu	
CH IN 3-4	XLR	MIC	3 k Ω	150 Ω Mics	-56 dBu	-35 dBu	-10 dBu	XLR Combo
		LINE			-30 dBu	-9 dBu	+16 dBu	
	Phone	MIC	10 k Ω (Hi-Z 1 M Ω)	150 Ω Lines (Hi-Z 10 k Ω)	-50 dBu	-29 dBu	-4 dBu	
		LINE			-24 dBu	-3 dBu	+22 dBu	
CH IN 5/6	Phone	—	10 k Ω	150 Ω Lines	-24 dBu	-3 dBu	+22 dBu	Phone*
	Pin	—	10 k Ω	150 Ω Lines	-24 dBu	-3 dBu	+22 dBu	RCA Pin
CH IN 7/8	Phone	—	10 k Ω	150 Ω Lines	-18 dBu	+3 dBu	+28 dBu	Phone*
	mini	—	10 k Ω	150 Ω Lines	-18 dBu	+3 dBu	+28 dBu	Stereo Mini

Output Characteristics

■ STAGEPAS 600BT

Output Terminals	Output Impedance	Load Impedance	Output Level				Connector Type
			Nominal	Max. before Clipping	Typ at THD+N 10%	Dynamic	
SPEAKERS OUT [L,R]	<0.1 Ω	4 Ω Speakers	62.5 W	230 W	280 W	340 W	Phone*
MONITOR OUT [L,R]	600 Ω	10 k Ω Lines	+4 dBu	+20 dBu	—	—	Phone*
SUBWOOFER OUT	150 Ω	10 k Ω Lines	-3 dBu	+17 dBu	—	—	Phone*

■ STAGEPAS 400BT

Output Terminals	Output Impedance	Load Impedance	Output Level				Connector Type
			Nominal	Max. before Clipping	Typ at THD+N 10%	Dynamic	
SPEAKERS OUT [L,R]	<0.1 Ω	4 Ω Speakers	37.5 W	125 W	180 W	200 W	Phone*
MONITOR OUT [L,R]	600 Ω	10 k Ω Lines	+4 dBu	+20 dBu	—	—	Phone*
SUBWOOFER OUT	150 Ω	10 k Ω Lines	-3 dBu	+17 dBu	—	—	Phone*

0 dBu=0.775 Vrms, 0 dBV=1 Vrms

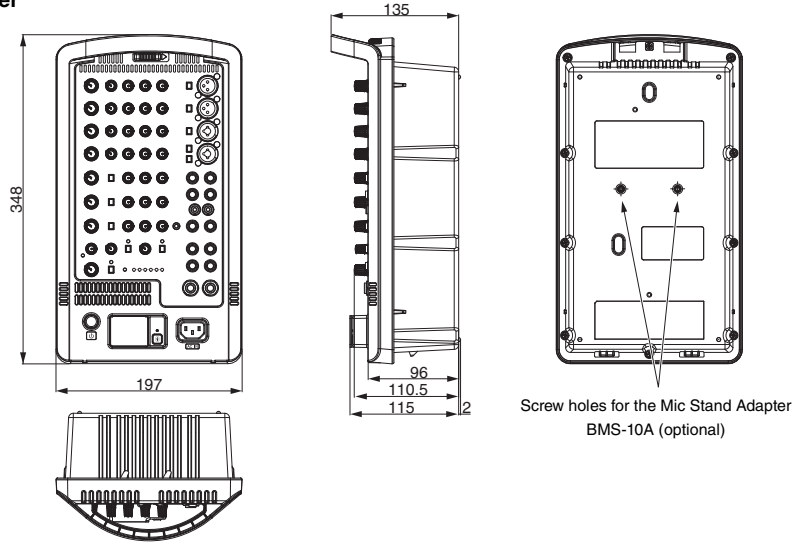
Phone*: Unbalanced

Descriptions in this manual are based on specifications available at the time of publication. The latest version of the manual can be downloaded from the Yamaha website.

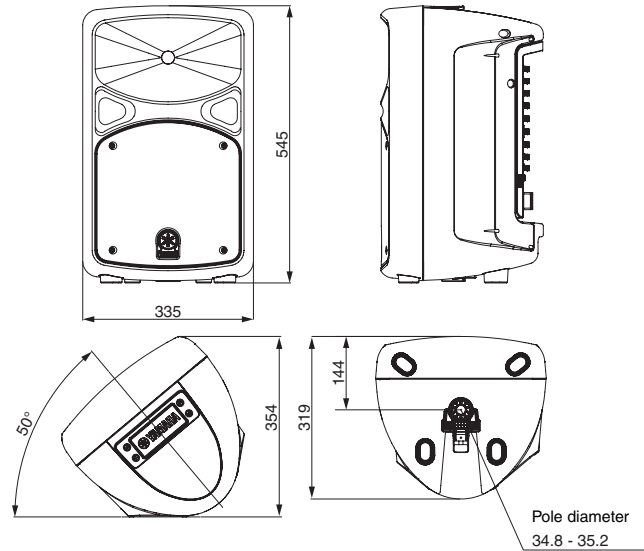
Dimensions

■ STAGEPAS 600BT

Mixer

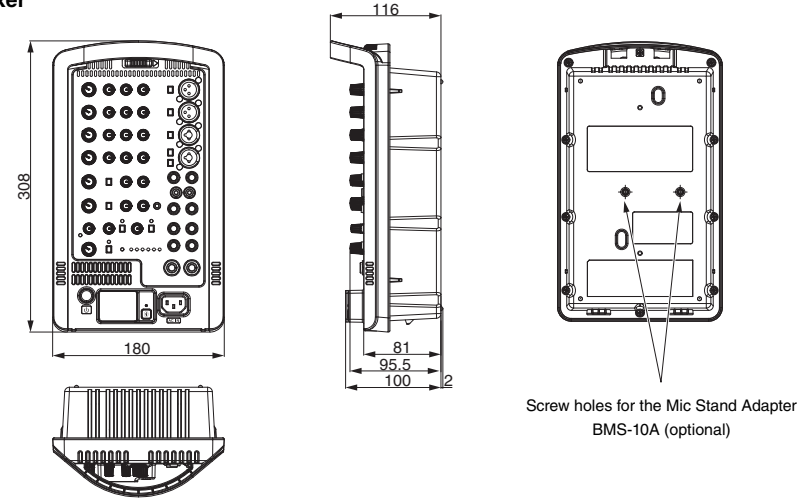


Dedicated Speaker

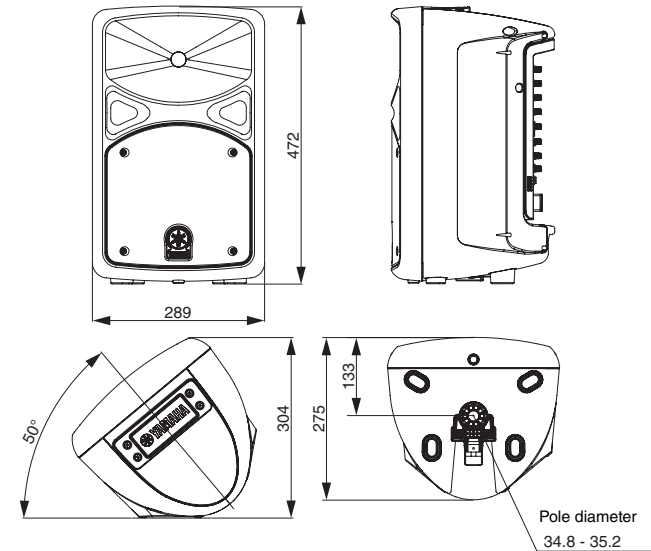


■ STAGEPAS 400BT

Mixer



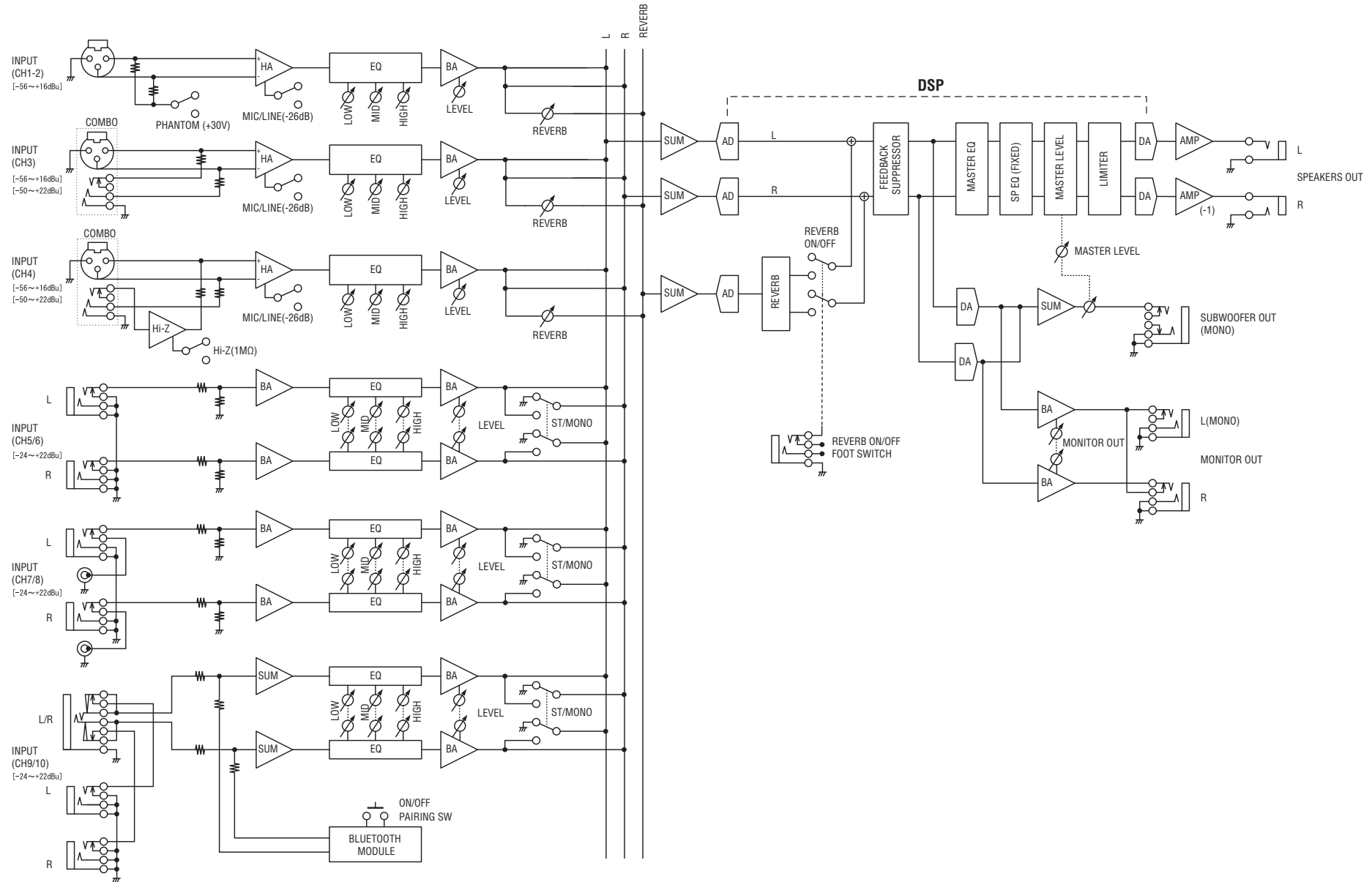
Dedicated Speaker



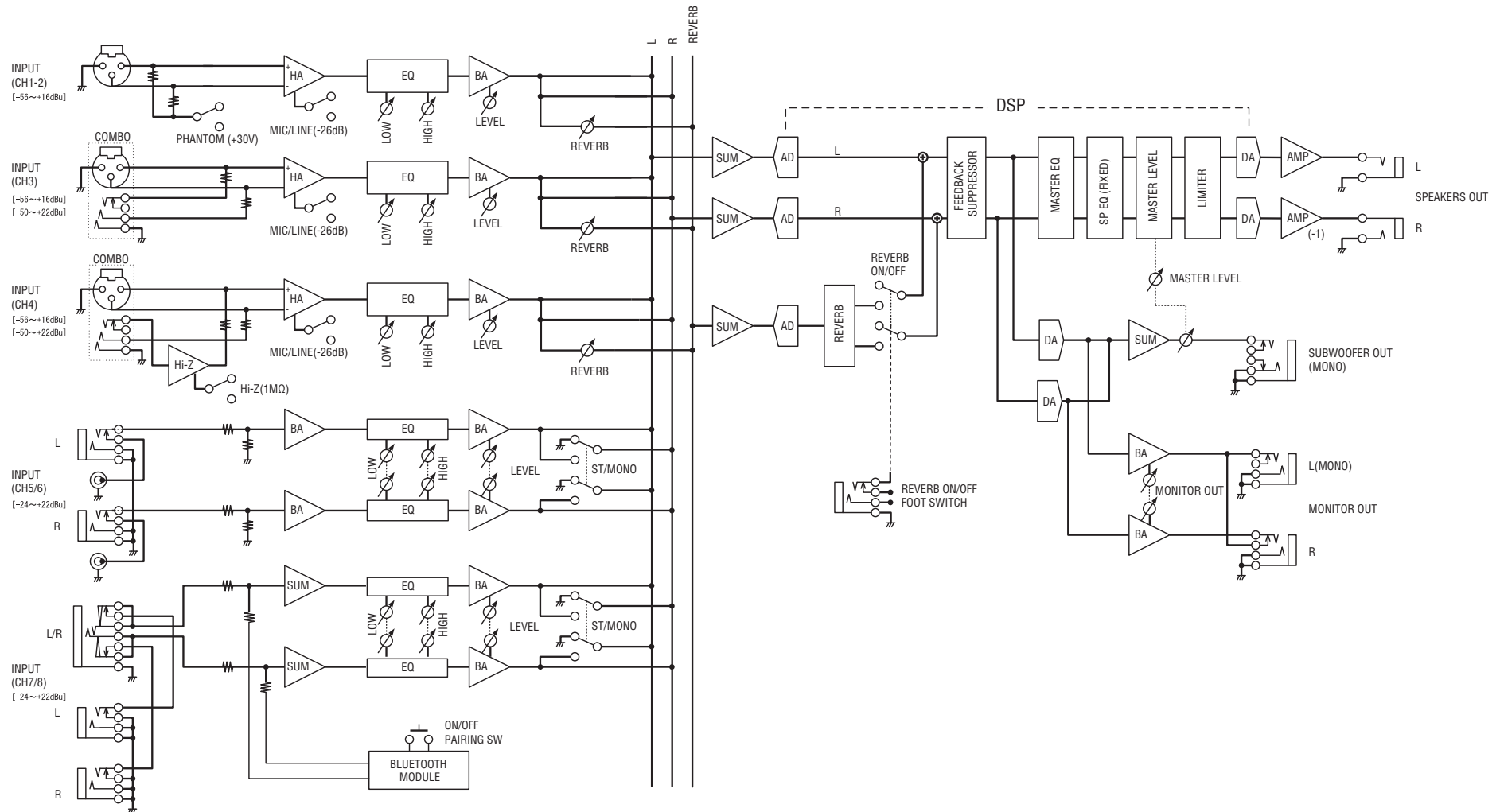
Unit: mm

Block Diagram

STAGEPAS 600BT



■ STAGEPAS 400BT



For U.S.A.

This transmitter must not be co-located or operated in conjunction with any other antenna or transmitter.

For CANADA

This device complies with Industry Canada licence-exempt RSS standard(s). Operation is subject to the following two conditions: (1) this device may not cause interference, and (2) this device must accept any interference, including interference that may cause undesired operation of the device.

Le présent appareil est conforme aux CNR d'Industrie Canada applicables aux appareils radio exempts de licence. L'exploitation est autorisée aux deux conditions suivantes : (1) l'appareil ne doit pas produire de brouillage, et (2) l'utilisateur de l'appareil doit accepter tout brouillage radioélectrique subi, même si le brouillage est susceptible d'en compromettre le fonctionnement.

CAN ICES-3 (B)/NMB-3(B)

(can_b_02)

For U.S.A. and CANADA

This equipment complies with FCC/IC radiation exposure limits set forth for an uncontrolled environment and meets the FCC radio frequency (RF) Exposure Guidelines and RSS-102 of the IC radio frequency (RF) Exposure rules. This equipment should be installed and operated keeping the radiator at least 20cm or more away from person's body.

Cet équipement est conforme aux limites d'exposition aux rayonnements énoncées pour un environnement non contrôlé et respecte les règles des radioélectriques (RF) de la FCC lignes directrices d'exposition et d'exposition aux fréquences radioélectriques (RF) CNR-102 de l'IC. Cet équipement doit être installé et utilisé en gardant une distance de 20 cm ou plus entre le radiateur et le corps humain.

EN	SIMPLIFIED EU DECLARATION OF CONFORMITY
<p>Hereby, Yamaha Music Europe GmbH declares that the radio equipment type STAGEPAS 600BT, STAGEPAS 400BT is in compliance with Directive 2014/53/EU. The full text of the EU declaration of conformity is available at the following internet address: https://europe.yamaha.com/en/support/compliance/doc.html</p>	
FR	DECLARATION UE DE CONFORMITE SIMPLIFIEE
<p>Le soussigné, Yamaha Music Europe GmbH, déclare que l'équipement radioélectrique du type STAGEPAS 600BT, STAGEPAS 400BT est conforme à la directive 2014/53/UE. Le texte complet de la déclaration UE de conformité est disponible à l'adresse internet suivante: https://europe.yamaha.com/en/support/compliance/doc.html</p>	
DE	VEREINFACHTE EU-KONFORMITÄTSERKLÄRUNG
<p>Hiermit erklärt Yamaha Music Europe GmbH, dass der Funkanlagentyp STAGEPAS 600BT, STAGEPAS 400BT der Richtlinie 2014/53/EU entspricht. Der vollständige Text der EU-Konformitätserklärung ist unter der folgenden Internetadresse verfügbar: https://europe.yamaha.com/en/support/compliance/doc.html</p>	
SV	FÖRENKLAD EU-FÖRSÄKRAN OM ÖVERENSSTÄMMELSE
<p>Härmed försäkrar Yamaha Music Europe GmbH att denna typ av radioutrustning STAGEPAS 600BT, STAGEPAS 400BT överensstämmer med direktiv 2014/53/EU. Den fullständiga texten till EU-försäkran om överensstämmelse finns på följande webbadress: https://europe.yamaha.com/en/support/compliance/doc.html</p>	
IT	DICHIARAZIONE DI CONFORMITÀ UE SEMPLIFICATA
<p>Il fabbricante, Yamaha Music Europe GmbH, dichiara che il tipo di apparecchiatura radio STAGEPAS 600BT, STAGEPAS 400BT è conforme alla direttiva 2014/53/UE. Il testo completo della dichiarazione di conformità UE è isponibile al seguente indirizzo Internet: https://europe.yamaha.com/en/support/compliance/doc.html</p>	
ES	DECLARACIÓN UE DE CONFORMIDAD SIMPLIFICADA
<p>Por la presente, Yamaha Music Europe GmbH declara que el tipo de equipo radioeléctrico STAGEPAS 600BT, STAGEPAS 400BT es conforme con la Directiva 2014/53/UE. El texto completo de la declaración UE de onformidad está isponible en la dirección Internet siguiente: https://europe.yamaha.com/en/support/compliance/doc.html</p>	
PT	DECLARAÇÃO UE DE CONFORMIDADE SIMPLIFICADA
<p>O(a) abaixo assinado(a) Yamaha Music Europe GmbH declara que o presente tipo de equipamento de rádio STAGEPAS 600BT, STAGEPAS 400BT está em conformidade com a Diretiva 2014/53/UE. O texto integral da declaração de conformidade está disponível no seguinte endereço de Internet: https://europe.yamaha.com/en/support/compliance/doc.html</p>	
NL	VEREENVOUDIGDE EU-CONFORMITEITSVERKLARING
<p>Hierbij verklaar ik, Yamaha Music Europe GmbH, dat het type radioapparatuur STAGEPAS 600BT, STAGEPAS 400BT conform is met Richtlijn 2014/53/EU. De volledige tekst van de EU-conformiteitsverklaring kan worden geraadpleegd op het volgende internetadres: https://europe.yamaha.com/en/support/compliance/doc.html</p>	

BG	ОПРОСТЕНА ЕС ДЕКЛАРАЦИЯ ЗА СЪОТВЕТСТВИЕ
<p>С настоящото Yamaha Music Europe GmbH декларира, че този тип радиосъоръжение STAGEPAS 600BT, STAGEPAS 400BT е в съответствие с Директива 2014/53/ЕС. Цялостният текст на ЕС декларацията за съответствие може да се намери на следния интернет адрес: https://europe.yamaha.com/en/support/compliance/doc.html</p>	
CS	ZJEDNODUŠENÉ EU PROHLÁŠENÍ O SHODĚ
<p>Tímto Yamaha Music Europe GmbH prohlašuje, že typ rádiového zařízení STAGEPAS 600BT, STAGEPAS 400BT je v souladu se směrnicí 2014/53/EU. Úplné znění EU prohlášení o shodě je k dispozici na této internetové adrese: https://europe.yamaha.com/en/support/compliance/doc.html</p>	
DA	FORENKLET EU-OVERENSSTEMMELSESESKLÆRING
<p>Hermed erklærer Yamaha Music Europe GmbH, at radioudstyrstypen STAGEPAS 600BT, STAGEPAS 400BT er i overensstemmelse med direktiv 2014/53/EU. EU-overensstemmelseerklæringens fulde tekst kan findes på følgende internetadresse: https://europe.yamaha.com/en/support/compliance/doc.html</p>	
ET	LIHSUSTATUD ELI VASTAVUSDEKLARATSIOON
<p>Käesolevaga deklareerib Yamaha Music Europe GmbH, et käesolev raadioseadme tüüp STAGEPAS 600BT, STAGEPAS 400BT vastab direktiivi 2014/53/EL nõuetele. ELi vastavusdeklaratsiooni täielik tekst on kättesaadav järgmisel internetiaadressil: https://europe.yamaha.com/en/support/compliance/doc.html</p>	
EL	ΑΠΛΟΥΣΤΕΥΜΕΝΗ ΔΗΛΩΣΗ ΣΥΜΜΟΡΦΩΣΗΣ ΕΕ
<p>Με την παρούσα ο/η Yamaha Music Europe GmbH, δηλώνει ότι ο ραδιοεξοπλισμός STAGEPAS 600BT, STAGEPAS 400BT πληροί την οδηγία 2014/53/ΕΕ. Το πλήρες κείμενο της δήλωσης συμμόρφωσης ΕΕ διατίθεται στην ακόλουθη ιστοσελίδα στο διαδίκτυο: https://europe.yamaha.com/en/support/compliance/doc.html</p>	
HR	POJEDNOSTAVLJENA EU IZJAVA O SUKLADNOSTI
<p>Yamaha Music Europe GmbH ovime izjavljuje da je radijska oprema tipa STAGEPAS 600BT, STAGEPAS 400BT u skladu s Direktivom 2014/53/EU. Cjeloviti tekst EU izjave o sukladnosti dostupan je na sljedećoj internetskoj adresi: https://europe.yamaha.com/en/support/compliance/doc.html</p>	
LV	VIENKĀRŠOTA ES ATBILSTĪBAS DEKLARĀCIJA
<p>Ar šo Yamaha Music Europe GmbH deklarē, ka radioiekārta STAGEPAS 600BT, STAGEPAS 400BT atbilst Direktīvai 2014/53/ES. Pilns ES atbilstības deklarācijas teksts ir pieejams šādā interneta vietnē: https://europe.yamaha.com/en/support/compliance/doc.html</p>	
LT	SUPAPRASTINTA ES ATITIKTIES DEKLARACIJA
<p>Aš, Yamaha Music Europe GmbH, patvirtinu, kad radijo įrenginių tipas STAGEPAS 600BT, STAGEPAS 400BT atitinka Direktyvą 2014/53/ES. Visas ES atitikties deklaracijos tekstas prieinamas šiuo interneto adresu: https://europe.yamaha.com/en/support/compliance/doc.html</p>	
HU	EGYSZERŰSÍTETT EU-MEGFELELŐSÉGI NYILATKOZAT
<p>Yamaha Music Europe GmbH igazolja, hogy a STAGEPAS 600BT, STAGEPAS 400BT típusú rádióberendezés megfelel a 2014/53/EU irányelvnek. Az EU-megfelelőségi nyilatkozat teljes szövege elérhető a következő internetes címen: https://europe.yamaha.com/en/support/compliance/doc.html</p>	

PL	UPROSZCZONA DEKLARACJA ZGODNOŚCI UE
Yamaha Music Europe GmbH niniejszym oświadcza, że typ urządzenia radiowego STAGEPAS 600BT, STAGEPAS 400BT jest zgodny z dyrektywą 2014/53/UE. Pełny tekst deklaracji zgodności UE jest dostępny pod następującym adresem internetowym: https://europe.yamaha.com/en/support/compliance/doc.html	
RO	DECLȚIA ARAUE DE CONFORMITATE SIMPLIFICATĂ
Prin prezenta, Yamaha Music Europe GmbH declară că tipul de echipamente radio STAGEPAS 600BT, STAGEPAS 400BT este în conformitate cu Directiva 2014/53/UE. Textul integral al declarației UE de conformitate este disponibil la următoarea adresă internet: https://europe.yamaha.com/en/support/compliance/doc.html	
SK	ZJEDNODUŠENÉ EÚ VYHLÁSENIE O ZHODE
Yamaha Music Europe GmbH týmto vyhlasuje, že rádiové zariadenie typu STAGEPAS 600BT, STAGEPAS 400BT je v súlade so smernicou 2014/53/EÚ. Úplné EÚ vyhlásenie o zhode je k dispozícii na tejto internetovej adrese: https://europe.yamaha.com/en/support/compliance/doc.html	
SL	POENOSTAVLJENA IZJAVA EU O SKLADNOSTI
Yamaha Music Europe GmbH potrjuje, da je tip radijske opreme STAGEPAS 600BT, STAGEPAS 400BT skladen z Direktivo 2014/53/EU. Celotno besedilo izjave EU o skladnosti je na voljo na naslednjem spletnem naslovu: https://europe.yamaha.com/en/support/compliance/doc.html	
FI	YKSINKERTAISTETTU EU-VAATIMUSTENMUKAISUUSVAKUUTUS
Yamaha Music Europe GmbH vakuuttaa, että radiolaitetyyppi STAGEPAS 600BT, STAGEPAS 400BT on direktiivin 2014/53/EU mukainen. EU-vaatimustenmukaisuusvakuutuksen täysimittainen teksti on saatavilla seuraavassa internetosoitteessa: https://europe.yamaha.com/en/support/compliance/doc.html	
TR	BASİTLEŞTİRİLMİŞ AVRUPA BİRLİĞİ UYGUNLUK BİLDİRİMİ
İşbu belge ile, Yamaha Music Europe GmbH, radyo cihaz tipinin STAGEPAS 600BT, STAGEPAS 400BT, Direktif 2014/53/AB'ye uygunluğunu beyan eder. AB uyumu beyanının tam metni aşağıdaki internet adresinden edinilebilir: https://europe.yamaha.com/en/support/compliance/doc.html	

Information for users on collection and disposal of old equipment:



This symbol on the products, packaging, and/or accompanying documents means that used electrical and electronic products should not be mixed with general household waste.

For proper treatment, recovery and recycling of old products, please take them to applicable collection points, in accordance with your national legislation.

By disposing of these products correctly, you will help to save valuable resources and prevent any potential negative effects on human health and the environment which could otherwise arise from inappropriate waste handling.

For more information about collection and recycling of old products, please contact your local municipality, your waste disposal service or the point of sale where you purchased the items.

For business users in the European Union:

If you wish to discard electrical and electronic equipment, please contact your dealer or supplier for further information.

Information on Disposal in other Countries outside the European Union:

This symbol is only valid in the European Union. If you wish to discard these items, please contact your local authorities or dealer and ask for the correct method of disposal.

(weee_eu_en_02)

Informations concernant la collecte et le traitement des déchets d'équipements électriques et électroniques



Le symbole sur les produits, l'emballage et/ou les documents joints signifie que les produits électriques ou électroniques usagés ne doivent pas être mélangés avec les déchets domestiques habituels.

Pour un traitement, une récupération et un recyclage appropriés des déchets d'équipements électriques et électroniques, veuillez les déposer aux points de collecte prévus à cet effet, conformément à la réglementation nationale.

En vous débarrassant correctement des déchets d'équipements électriques et électroniques, vous contribuerez à la sauvegarde de précieuses ressources et à la prévention de potentiels effets négatifs sur la santé humaine qui pourraient advenir lors d'un traitement inapproprié des déchets.

Pour plus d'informations à propos de la collecte et du recyclage des déchets d'équipements électriques et électroniques, veuillez contacter votre municipalité, votre service de traitement des déchets ou le point de vente où vous avez acheté les produits.

Pour les professionnels dans l'Union européenne :

Si vous souhaitez vous débarrasser des déchets d'équipements électriques et électroniques, veuillez contacter votre vendeur ou fournisseur pour plus d'informations.

Informations sur la mise au rebut dans d'autres pays en dehors de l'Union européenne :

Ce symbole est seulement valable dans l'Union européenne. Si vous souhaitez vous débarrasser de déchets d'équipements électriques et électroniques, veuillez contacter les autorités locales ou votre fournisseur et demander la méthode de traitement appropriée.

(weee_eu_fr_02)

Información para usuarios sobre la recogida y eliminación de los equipos antiguos



Este símbolo en los productos, embalajes y documentos anexos significa que los productos eléctricos y electrónicos no deben mezclarse con los desperdicios domésticos normales.

Para el tratamiento, recuperación y reciclaje apropiados de los productos antiguos, llévelos a puntos de reciclaje correspondientes, de acuerdo con la legislación nacional.

Al deshacerse de estos productos de forma correcta, ayudará a ahorrar recursos valiosos y a impedir los posibles efectos desfavorables en la salud humana y en el entorno que de otro modo se producirían si se trataran los desperdicios de modo inapropiado.

Para obtener más información acerca de la recogida y el reciclaje de los productos antiguos, póngase en contacto con las autoridades locales, con el servicio de eliminación de basuras o con el punto de venta donde adquirió los artículos.

Para los usuarios empresariales de la Unión Europea:

Si desea desechar equipos eléctricos y electrónicos, póngase en contacto con su vendedor o proveedor para obtener más información.

Información sobre la eliminación en otros países fuera de la Unión Europea:

Este símbolo solo es válido en la Unión Europea. Si desea desechar estos artículos, póngase en contacto con las autoridades locales o con el vendedor y pregúnteles el método correcto.

(weee_eu_es_02)

Important Notice: Guarantee Information for customers in European Economic Area (EEA) and Switzerland

Important Notice: Guarantee Information for customers in EEA* and Switzerland	English
For detailed guarantee information about this Yamaha product, and Pan-EEA* and Switzerland warranty service, please either visit the website address below (Printable file is available at our website) or contact the Yamaha representative office for your country. * EEA: European Economic Area	
Wichtiger Hinweis: Garantie-Information für Kunden in der EWR* und der Schweiz	Deutsch
Für nähere Garantie-Information über dieses Produkt von Yamaha, sowie über den Pan-EWR*- und Schweizer Garantieservice, besuchen Sie bitte entweder die folgend angegebene Internetadresse (eine druckfähige Version befindet sich auch auf unserer Webseite), oder wenden Sie sich an den für Ihr Land zuständigen Yamaha-Vertrieb. *EWR: Europäischer Wirtschaftsraum	
Remarque importante: informations de garantie pour les clients de l'EEE et la Suisse	Français
Pour des informations plus détaillées sur la garantie de ce produit Yamaha et sur le service de garantie applicable dans l'ensemble de l'EEE ainsi qu'en Suisse, consultez notre site Web à l'adresse ci-dessous (le fichier imprimable est disponible sur notre site Web) ou contactez directement Yamaha dans votre pays de résidence. * EEE : Espace Economique Européen	
Belangrijke mededeling: Garantie-informatie voor klanten in de EER* en Zwitserland	Nederlands
Voor gedetailleerde garantie-informatie over dit Yamaha-product en de garantieservice in heel de EER* en Zwitserland, gaat u naar de onderstaande website (u vind een afdrukbaar bestand op onze website) of neemt u contact op met de vertegenwoordiging van Yamaha in uw land. * EER: Europese Economische Ruimte	
Aviso importante: información sobre la garantía para los clientes del EEE* y Suiza	Español
Para una información detallada sobre este producto Yamaha y sobre el soporte de garantía en la zona EEE* y Suiza, visite la dirección web que se incluye más abajo (la versión del archivo para imprimir esta disponible en nuestro sitio web) o póngase en contacto con el representante de Yamaha en su país. * EEE: Espacio Económico Europeo	
Avviso importante: informazioni sulla garanzia per i clienti residenti nell'EEA* e in Svizzera	Italiano
Per informazioni dettagliate sulla garanzia relativa a questo prodotto Yamaha e l'assistenza in garanzia nei paesi EEA* e in Svizzera, potete consultare il sito Web all'indirizzo riportato di seguito (è disponibile il file in formato stampabile) oppure contattare l'ufficio di rappresentanza locale della Yamaha. * EEA: Area Economica Europea	
Aviso importante: informações sobre as garantias para clientes da AEE* e da Suíça	Português
Para obter uma informação pormenorizada sobre este produto da Yamaha e sobre o serviço de garantia na AEE* e na Suíça, visite o site a seguir (o arquivo para impressão está disponível no nosso site) ou entre em contato com o escritório de representação da Yamaha no seu país. * AEE: Área Económica Européia	
Σημαντική σημείωση: Πληροφορίες εγγύησης για τους πελάτες στον ΕΟΧ* και Ελλάδα	Ελληνικά
Για λεπτομερείς πληροφορίες εγγύησης σχετικά με το παρόν προϊόν της Yamaha και την κάλυψη εγγύησης σε όλες τις χώρες του ΕΟΧ και την Ελλάδα, επισκεφτείτε την παρακάτω ιστοσελίδα (Εκτυπώσιμη μορφή είναι διαθέσιμη στην ιστοσελίδα μας) ή απευθυνθείτε στην αντιπροσωπεία της Yamaha στη χώρα σας. * ΕΟΧ: Ευρωπαϊκός Οικονομικός Χώρος	
Viktigt: Garantiinformation för kunder i EES-området* och Schweiz	Svenska
För detaljerad information om denna Yamahaprodukt samt garantiservice i hela EES-området* och Schweiz kan du antingen besöka nedanstående webbadress (en utskriftsvänlig fil finns på webbplatsen) eller kontakta Yamahas officiella representant i ditt land. * EES: Europeiska Ekonomiska Samarbetsområdet	
Viktig merknad: Garantiinformasjon for kunder i EØS* og Sveits	Norsk
Detaljert garantiinformasjon om dette Yamaha-produktet og garantiservice for hele EØS-området* og Sveits kan fås enten ved å besøke nettstedene nedenfor (utskriftsversjon finnes på våre nettsider) eller kontakte kontakta Yamaha-kontoret i landet der du bor. *EØS: Det europeiske økonomiske samarbeidsområdet	
Vigtig oplysning: Garantioplysninger til kunder i EØ* og Schweiz	Dansk
De kan finde detaljerede garantioplysninger om dette Yamaha-produkt og den fælles garantiserviceordning for EØ* (og Schweiz) ved at besøge det websted, der er angivet nedenfor (der findes en fil, som kan udskrives, på vores websted), eller ved at kontakte Yamahas nationale repræsentationskontor i det land, hvor De bor. * EØ: Det Europæiske Økonomiske Område	

Tärkeä ilmoitus: Taku tiedot Euroopan talousalueen (ETA)* ja Sveitsin asiakkaille	Suomi
Tämän Yamaha-tuotteen sekä ETA-alueen ja Sveitsin takuuta koskevat yksityiskohtaiset tiedot saatte alla olevasta nettiosoitteesta. (Tulostettava tiedosto saatavissa sivustollamme.) Voitte myös ottaa yhteyttä paikalliseen Yamaha-edustajaan. *ETA: Euroopan talousalue	
Ważne: Warunki gwarancyjne obowiązujące w EOG* i Szwajcarii	Polski
Aby dowiedzieć się więcej na temat warunków gwarancyjnych tego produktu firmy Yamaha i serwisu gwarancyjnego w całym EOG* i Szwajcarii, należy odwiedzić wskazaną poniżej stronę internetową (Plik gotowy do wydruku znajduje się na naszej stronie internetowej) lub skontaktować się z przedstawicielstwem firmy Yamaha w swoim kraju. * EOG — Europejski Obszar Gospodarczy	
Důležité oznámení: Záruční informace pro zákazníky v EHS* a ve Švýcarsku	Česky
Podrobné záruční informace o tomto produktu Yamaha a záručním servisu v celém EHS* a ve Švýcarsku naleznete na níže uvedené webové adrese (soubor k tisku je dostupný na našich webových stránkách) nebo se můžete obrátit na zastoupení firmy Yamaha ve své zemi. * EHS: Evropský hospodářský prostor	
Fontos figyelemzés: Garancia-információk az EGT* területén és Svájcban élő vásárlók számára	Magyar
A jelen Yamaha termékre vonatkozó részletes garancia-információk, valamint az EGT*-re és Svájcra kiterjedő garanciális szolgáltatás tekintetében keresse fel webhelyünket az alábbi címen (a webhelyen nyomtatható fájl is talál), vagy pedig lépjen kapcsolatba az országában működő Yamaha képviselői irodával. * EGT: Európai Gazdasági Térség	
Oluline märkus: Garantiiteave Euroopa Majanduspiirkonna (EMP)* ja Šveitsi klientidele	Eesti keel
Täpsem teabe saamiseks selle Yamaha toote garantii ning kogu Euroopa Majanduspiirkonna ja Šveitsi garantiiteeninduse kohta, külastage palun veebisaiti alljärgneval aadressil (meie saidil on saadaval printitav fail) või pöörduge Teie regiooni Yamaha esinduse poole. * EMP: Euroopa Majanduspiirkond	
Svarīgs paziņojums: garantijas informācija klientiem EEZ* un Šveicē	Latviešu
Lai saņemtu detalizētu garantijas informāciju par šo Yamaha produktu, kā arī garantijas apkalpošanu EEZ* un Šveicē, lūdz, apmeklējiet zemāk norādīto tīmekļa vietnes adresi (tīmekļa vietnē ir pieejams drukājams fails) vai sazinieties ar jūsu valsti apkalpojošo Yamaha pārstāvniecību. * EEZ: Eiropas Ekonomikas zona	
Démesio: informacija dėl garantijos pirkėjams EEE* ir Šveicarijoje	Lietuvių kalba
Jeį reikia išsamios informacijos apie šį „Yamaha“ produktą ir jo techninę priežiūrą visoje EEE* ir Šveicarijoje, apsilankykite mūsų svetainėje toliau nurodytu adresu (svetainėje yra spausdintinas failas) arba kreipkitės į „Yamaha“ atstovybę savo šaliai. *EEE – Europos ekonominė erdvė	
Dôležité upozornenie: Informácie o záruke pre zákazníkov v EHP* a Švajčiarsku	Slovenčina
Podrobné informácie o záruke týkajúce sa tohto produktu od spoločnosti Yamaha a garančnom servise v EHP* a Švajčiarsku nájdete na webovej stránke uvedenej nižšie (na našej webovej stránke je k dispozícii súbor na tlač) alebo sa obráťte na zástupcu spoločnosti Yamaha vo svojej krajine. * EHP: Európsky hospodársky priestor	
Pomembno obvestilo: Informacije o garanciji za kupce v EGP* in Švici	Slovenščina
Za podrobnejše informacije o tem Yamahinem izdelku ter garancijskem servisu v celotnem EGP in Švici, obiščite spletno mesto, ki je navedeno spodaj (natisljiva datoteka je na voljo na našem spletnem mestu), ali se obrnite na Yamahinega predstavnika v svoji državi. * EGP: Evropski gospodarski prostor	
Важно съобщение: Информация за гаранцията за клиенти в ЕИП* и Швейцария	Български език
За подробна информация за гаранцията за този продукт на Yamaha и гаранционното обслужване в паневропейската зона на ЕИП* и Швейцария или посетете посочения по-долу уеб сайт (на нашия уеб сайт има файл за печат), или се свържете с представителния офис на Yamaha във вашата страна. * ЕИП: Европейско икономическо пространство	
Notificare importantă: Informații despre garanție pentru clienții din SEE* și Elveția	Limba română
Pentru informații detaliate privind acest produs Yamaha și serviciul de garanție Pan-SEE* și Elveția, vizitați site-ul la adresa de mai jos (fișierul imprimabil este disponibil pe site-ul nostru) sau contactați biroul reprezentanței Yamaha din țara dumneavoastră. * SEE: Spațiul Economic European	

<http://europe.yamaha.com/warranty/>

URL_4

MEMO

MEMO

ADDRESS LIST

NORTH AMERICA

CANADA

Yamaha Canada Music Ltd.
135 Milner Avenue, Toronto, Ontario,
M1S 3R1, Canada
Tel: +1-416-298-1311

U.S.A.

Yamaha Corporation of America
6600 Orangethorpe Avenue, Buena Park, CA 90620,
U.S.A.
Tel: +1-714-522-9011

CENTRAL & SOUTH AMERICA

MEXICO

Yamaha de México, S.A. de C.V.
Av. Insurgentes Sur 1647 Piso 9, Col. San José
Insurgentes, Delegación Benito Juárez, México, D.F.,
C.P. 03900, México
Tel: +52-55-5804-0600

BRAZIL

Yamaha Musical do Brasil Ltda.
Rua Fidêncio Ramos, 302 – Cj 52 e 54 – Torre B – Vila
Olimpia – CEP 04551-010 – São Paulo/SP, Brazil
Tel: +55-11-3704-1377

ARGENTINA

**Yamaha Music Latin America, S.A.,
Sucursal Argentina**
Olga Cossetini 1553, Piso 4 Norte,
Madero Este-C1107CEK,
Buenos Aires, Argentina
Tel: +54-11-4119-7000

PANAMA AND OTHER LATIN AMERICAN COUNTRIES/ CARIBBEAN COUNTRIES

Yamaha Music Latin America, S.A.
Edif. Torre Banco General, Piso 7, Urbanización
Marbella, Calle 47 y Aquilino de la Guardia,
Ciudad de Panamá, República de Panamá
Tel: +507-269-5311

EUROPE

THE UNITED KINGDOM/IRELAND

Yamaha Music Europe GmbH (UK)
Sherbourne Drive, Tilbrook, Milton Keynes,
MK7 8BL, U.K.
Tel: +44-1908-366700

GERMANY

Yamaha Music Europe GmbH
Siemensstrasse 22-34, 25462 Rellingen, Germany
Tel: +49-4101-303-0

SWITZERLAND/LIECHTENSTEIN

**Yamaha Music Europe GmbH, Branch
Switzerland in Thalwil**
Seestrasse 18a, 8800 Thalwil, Switzerland
Tel: +41-44-3878080

AUSTRIA/BULGARIA/ CZECH REPUBLIC/HUNGARY/ ROMANIA/SLOVAKIA/SLOVENIA

**Yamaha Music Europe GmbH
Branch Austria**
Schleiergasse 20, 1100 Wien, Austria
Tel: +43-1-60203900

POLAND

**Yamaha Music Europe GmbH
Sp.z o.o. Oddział w Polsce**
ul. Wielicka 52, 02-657 Warszawa, Poland
Tel: +48-22-880-08-88

MALTA

Olimpus Music Ltd.
Valletta Road, Mosta MST9010, Malta
Tel: +356-2133-2093

NETHERLANDS/BELGIUM/ LUXEMBOURG

Yamaha Music Europe Branch Benelux
Clarissenhof 5b, 4133 AB Vianen, The Netherlands
Tel: +31-347-358040

FRANCE

Yamaha Music Europe
7 rue Ambroise Croizat, Zone d'activités de Pariest,
77183 Croissy-Beaubourg, France
Tel: +33-1-6461-4000

ITALY

Yamaha Music Europe GmbH, Branch Italy
Via Tinelli N.67/69 20855 Gerno di Lesmo (MB),
Italy
Tel: +39-039-9065-1

SPAIN/PORTUGAL

**Yamaha Music Europe GmbH Ibérica, Sucursal
en España**
Ctra. de la Coruña km. 17,200, 28231
Las Rozas de Madrid, Spain
Tel: +34-91-639-88-88

GREECE

Philippos Nakas S.A. The Music House
19th km. Leof. Lavriou 190 02 Peania – Attiki,
Greece
Tel: +30-210-6686168

SWEDEN/FINLAND/ICELAND

**Yamaha Music Europe GmbH Germany filial
Scandinavia**
JA Wettergrensgata 1, 400 43 Göteborg, Sweden
Tel: +46-31-89-34-00

DENMARK

**Yamaha Music Denmark,
Fillial of Yamaha Music Europe GmbH, Tyskland**
Generatorvej 8C, ST. TH. , 2860 Søborg, Denmark
Tel: +45-44-92-49-00

NORWAY

**Yamaha Music Europe GmbH Germany -
Norwegian Branch**
Grini Næringspark 1, 1332 Østerås, Norway
Tel: +47-6716-7800

CYPRUS

Yamaha Music Europe GmbH
Siemensstrasse 22-34, 25462 Rellingen, Germany
Tel: +49-4101-303-0

RUSSIA

Yamaha Music (Russia) LLC.
Room 37, entrance 7, bld. 7, Kievskaya street,
Moscow, 121059, Russia
Tel: +7-495-626-5005

OTHER EUROPEAN COUNTRIES

Yamaha Music Europe GmbH
Siemensstrasse 22-34, 25462 Rellingen, Germany
Tel: +49-4101-3030

AFRICA

Yamaha Music Gulf FZE
JAFZA-16, Office 512, P.O.Box 17328,
Jebel Ali FZE, Dubai, UAE
Tel: +971-4-801-1500

MIDDLE EAST

TURKEY

**Yamaha Music Europe GmbH
Merkezi Almanya Türkiye İstanbul Şubesi**
Maslak Meydanı Sokak, Spring Giz Plaza Bagimsiz
Böl. No:3, Sarıyer İstanbul, Turkey
Tel: +90-212-999-8010

OTHER COUNTRIES

Yamaha Music Gulf FZE
JAFZA-16, Office 512, P.O.Box 17328,
Jebel Ali FZE, Dubai, UAE
Tel: +971-4-801-1500

ASIA

THE PEOPLE'S REPUBLIC OF CHINA

Yamaha Music & Electronics (China) Co.,Ltd.
2F, Yunhedasha, 1818 Xinzha-lu, Jingan-qu,
Shanghai, China
Tel: +86-400-051-7700

INDIA

Yamaha Music India Private Limited
P-401, JMD Megapolis, Sector-48, Sohna Road,
Gurgaon-122018, Haryana, India
Tel: +91-124-485-3300

INDONESIA

PT. Yamaha Musik Indonesia (Distributor)
Yamaha Music Center Bldg. Jalan Jend. Gatot
Subroto Kav. 4, Jakarta 12930, Indonesia
Tel: +62-21-520-2577

KOREA

Yamaha Music Korea Ltd.
8F, Dongsung Bldg. 21, Teheran-ro 87-gil, Gangnam-
gu, Seoul, 06169, Korea
Tel: +82-2-3467-3300

MALAYSIA

Yamaha Music (Malaysia) Sdn. Bhd.
No.8, Jalan Perbandaran, Kelana Jaya, 47301
Petaling Jaya, Selangor, Malaysia
Tel: +60-3-78030900

SINGAPORE

Yamaha Music (Asia) Private Limited
Block 202 Hougang Street 21, #02-00,
Singapore 530202, Singapore
Tel: +65-6740-9200

TAIWAN

Yamaha Music & Electronics Taiwan Co.,Ltd.
2F., No.1, Yuandong Rd., Banqiao Dist.,
New Taipei City 22063, Taiwan (R.O.C.)
Tel: +886-2-7741-8888

THAILAND

Siam Music Yamaha Co., Ltd.
3, 4, 15, 16th Fl., Siam Motors Building,
891/1 Rama 1 Road, Wangmai,
Pathumwan, Bangkok 10330, Thailand
Tel: +66-2215-2622

VIETNAM

Yamaha Music Vietnam Company Limited
15th Floor, Nam A Bank Tower, 201-203 Cach Mang
Thang Tam St., Ward 4, Dist.3,
Ho Chi Minh City, Vietnam
Tel: +84-8-3818-1122

OTHER ASIAN COUNTRIES

<http://asia.yamaha.com/>

OCEANIA

AUSTRALIA

Yamaha Music Australia Pty. Ltd.
Level 1, 80 Market Street, South Melbourne,
VIC 3205, Australia
Tel: +61-3-9693-5111

COUNTRIES AND TRUST TERRITORIES IN PACIFIC OCEAN

<http://asia.yamaha.com/>

Yamaha Pro Audio global website
<http://www.yamaha.com/proaudio/>
Yamaha Downloads
<http://download.yamaha.com/>

Manual Development Group
© 2017 Yamaha Corporation

Published 12/2017 IPES-A0

ZZ03660

Free Manuals Download Website

<http://myh66.com>

<http://usermanuals.us>

<http://www.somanuals.com>

<http://www.4manuals.cc>

<http://www.manual-lib.com>

<http://www.404manual.com>

<http://www.luxmanual.com>

<http://aubethermostatmanual.com>

Golf course search by state

<http://golfingnear.com>

Email search by domain

<http://emailbydomain.com>

Auto manuals search

<http://auto.somanuals.com>

TV manuals search

<http://tv.somanuals.com>