



## **Maintenance and Service Guide**

Compaq Evo Notebook N1020v Series

Compaq Evo Notebook N1000v Series

Compaq Presario 1500 Series Mobile PC

Document Part Number: 279372-002

**November 2002**

This guide is a troubleshooting reference used for maintaining and servicing the notebook. It provides comprehensive information on identifying computer features, components, and spare parts, troubleshooting computer problems, and performing computer disassembly procedures.

© 2002 Compaq Information Technologies Group, L.P.

Compaq, the Compaq logo, Evo, and Presario are trademarks of Compaq Information Technologies Group, L.P. in the U.S. and/or other countries. Microsoft and Windows are trademarks of Microsoft Corporation in the U.S. and/or other countries. Intel, Pentium, Celeron, and SpeedStep are trademarks of the Intel Corporation in the U.S. and/or other countries. All other product names mentioned herein may be trademarks of their respective companies.

Compaq shall not be liable for technical or editorial errors or omissions contained herein. The information in this document is provided “as is” without warranty of any kind and is subject to change without notice. The warranties for Compaq products are set forth in the express limited warranty statements accompanying such products. Nothing herein should be construed as constituting an additional warranty.

**Maintenance and Service Guide**

**Second Edition November 2002**

**First Edition July 2002**

**Document Part Number: 279372-002**

---

# Contents

## 1 Product Description

1.1 Models . . . . .	1-2
1.2 Features . . . . .	1-27
1.3 Clearing a Password. . . . .	1-29
1.4 Power Management . . . . .	1-30
1.5 Computer External Components . . . . .	1-31
1.6 Design Overview . . . . .	1-41

## 2 Troubleshooting

2.1 Computer Setup and Diagnostics Utilities . . . . .	2-1
Selecting Computer Setup or Compaq Diagnostics . . . . .	2-1
Selecting from the File Menu . . . . .	2-3
Selecting from the Security Menu. . . . .	2-4
Selecting from the Advanced Menu . . . . .	2-5
2.2 Using Compaq Diagnostics . . . . .	2-7
Obtaining, Saving, or Printing Configuration Information. . . . .	2-7
Obtaining, Saving, or Printing Diagnostic Test Information . . . . .	2-8
2.3 Troubleshooting Flowcharts. . . . .	2-10

---

### **3 Illustrated Parts Catalog**

3.1 Serial Number Location . . . . .	3-1
3.2 Computer System Major Components . . . . .	3-2
3.3 Miscellaneous Plastics/Hardware Kit . . . . .	3-18
3.4 Miscellaneous Cable Kit . . . . .	3-20
3.5 Mass Storage Devices . . . . .	3-22
3.6 Miscellaneous . . . . .	3-24

### **4 Removal and Replacement Preliminaries**

4.1 Tools Required . . . . .	4-1
4.2 Service Considerations . . . . .	4-2
Plastic Parts . . . . .	4-2
Cables and Connectors . . . . .	4-2
4.3 Preventing Damage to Removable Drives . . . . .	4-3
4.4 Preventing Electrostatic Damage . . . . .	4-4
4.5 Packaging and Transporting Precautions . . . . .	4-4
4.6 Workstation Precautions . . . . .	4-5
4.7 Grounding Equipment and Methods . . . . .	4-6

### **5 Removal and Replacement Procedures**

5.1 Serial Number . . . . .	5-2
5.2 Disassembly Sequence Chart . . . . .	5-3
5.3 Preparing the Computer for Disassembly . . . . .	5-4
5.4 Computer Feet . . . . .	5-13
5.5 Memory Expansion Board . . . . .	5-13
5.6 Mini PCI Communications Board . . . . .	5-15
5.7 Disk Cell RTC Battery . . . . .	5-18
5.8 Connector Cover . . . . .	5-19
5.9 LED Cover . . . . .	5-20
5.10 Keyboard . . . . .	5-22
5.11 Heat Spreader . . . . .	5-25
5.12 Processor . . . . .	5-28
5.13 Display . . . . .	5-30
5.14 Palm Rest . . . . .	5-35
5.15 Diskette Drive . . . . .	5-39

---

5.16 TouchPad Components . . . . .	5-41
5.17 Display Release Assembly . . . . .	5-46
5.18 Charger Board . . . . .	5-47
5.19 Speaker Assembly . . . . .	5-48
5.20 Top Cover. . . . .	5-50
5.21 Fan . . . . .	5-54
5.22 System Board . . . . .	5-56
5.23 Modem Cable. . . . .	5-60

## **6 Specifications**

### **A Connector Pin Assignments**

### **B Screw Listing**

### **C Power Cord Set Requirements**

3-Conductor Power Cord Set . . . . .	B-1
General Requirements . . . . .	B-1
Country-Specific Requirements . . . . .	B-2

## **Index**

---

## Product Description

The Compaq Evo Notebook N1020v Series, Evo Notebook N1000v Series, and Presario 1500 Series Mobile PCs offer advanced modularity, Intel Mobile Pentium 4 and Intel Celeron processors with SpeedStep technology and 64-bit architecture, industry-leading Accelerated Graphics Port (AGP) implementation, and extensive multimedia support.



***Figure 1-1. Compaq Evo Notebook N1020v Series, N1000v Series, and Presario 1500 Series Mobile PC***

# 1.1 Models

Computer models are shown in Tables 1-1 through 1-4.

**Table 1-1  
Compaq Evo Notebook N1020v, N1000v, and Presario 1500  
Model Naming Conventions**

Key									
N1020v	P	220	P5	40	V	C	51	O	XXXXXXXX-XXX
1	2	3	4	5	6	7	8	9	10
Key	Description	Options							
1	Brand/Series designator	N = Evo Notebook P = Presario				1020 = 1020 Series 1000 = 1000 Series 1500 = 1500 Series			
2	Processor type	P = Intel Pentium 4				C = Intel Celeron			
3	Processor speed	220 = 2.2 GHz 200 = 2.0 GHz 180 = 1.8 GHz 170 = 1.7 GHz				160 = 1.6 GHz 150 = 1.5 GHz 140 = 1.4 GHz			
4	Display type/ size/resolution	P = SXGA+ (1400 × 1050) X = XGA (1024 × 768)				5 = 15.x inch 4 = 14.x inch			
5	Hard drive size	60 = 60 GB 40 = 40 GB				30 = 30 GB 20 = 20 GB			
6	Optical drive designator	V = DVD-ROM drive W = DVD-RW drive				D = CD-ROM drive R = CD-RW drive			
7	Integrated communication	M = Modem 0 = None				C = Modem/NIC combination card			
8	RAM	51 = 512 MB 38 = 384 MB				25 = 256 MB 12 = 128 MB			
9	Operating system	2 = Windows 2000				O = Windows XP Pro E = Windows XP Home			
10	SKU#								

**Table 1-2**  
**Compaq Evo Notebook N1020v Models**

The following Evo Notebook N1020v models use config. code **LDMZ** and feature:

- TouchPad pointing device
- 8-cell, 4.4-Ah lithium ion (Li ion) battery pack
- 2-year warranty
- diskette drive

N1020v	P	240	X5	40	W	C	25	E		
Germany						470045-522				
N1020v	P	240	X5	40	W	C	25	O		
Germany						470050-123				
N1020v	P	200	X4	30	V	C	25	E		
Germany						470045-521				
N1020v	P	200	X4	30	V	C	25	O		
Germany						470050-122				
N1020v	P	180	X5	30	W	C	25	O		
Germany						470048-008				
N1020v	P	180	X4	30	V	C	25	O		
Germany						470048-007				
N1020v	C	160	X4	30	W	C	25	E		
Germany						470049-801				
N1020v	C	150	X4	20	V	C	25	E		
Germany						470049-800				
N1020v	C	150	X4	20	V	C	25	O		
Germany						470050-730				



**Table 1-2  
Compaq Evo Notebook N1020v Models (Continued)**

The following Evo Notebook N1020v models use config. code LDLZ and feature:

- TouchPad pointing device
- 8-cell, 4.4-Ah lithium ion (Li ion) battery pack
- 1-year warranty
- diskette drive

N1020v	P	240	P5	40	W	C	25	E	
Japan					470047-926	Japan (English)			470047-929
N1020v	P	240	P5	40	W	C	25	O	
Japan					470045-698	Japan (English)			470045-699
N1020v	P	240	X5	40	W	C	25	E	
Belgium					470045-654	Norway			470045-675
Czech Republic					470045-657	Portugal			470045-678
Denmark					470045-658	Russia			470045-679
European International					470045-662	Saudi Arabia			470045-653
France					470045-663	Slovenia			470045-682
Greece/Poland					470045-666	Spain			470045-683
Hungary					470045-667	Sweden/Finland			470045-686
Israel					470045-670	Switzerland			470045-687
Italy					470045-671	Turkey			470045-690
The Netherlands					470045-674	United Kingdom			470045-691

**Table 1-2**  
**Compaq Evo Notebook N1020v Models (Continued)**

N1020v	P	240	X5	40	W	C	25	O	
Asia/Pacific					470051-325	Latin America			470050-101
Australia					470051-312	Latin America			470050-115
Belgium					470050-058	(NAFTA)			
Brazil					470050-116	The Netherlands			470050-079
Czech Republic					470050-061	Norway			470050-080
Denmark					470050-062	Portugal			470050-085
European					470050-066	Russia			470050-086
International						Saudi Arabia			470050-057
France					470050-067	Slovenia			470050-089
French Canada					470045-649	Spain			470050-090
Greece/Poland					470050-070	Sweden/Finland			470050-093
Hong Kong					470051-336	Switzerland			470050-094
Hungary					470050-071	Taiwan			470051-332
India					470051-329	Thailand			470051-319
Israel					470050-074	Turkey			470050-097
Italy					470050-076	United Kingdom			470050-098
Korea					470051-340	United States			470045-648
N1020v	P	240	X5	40	V	C	25	O	
Belgium					470050-708	Norway			470050-721
Czech Republic					470050-710	Portugal			470050-722
Denmark					470050-711	Russia			470050-723
European					470050-712	Saudi Arabia			470050-707
International						Slovenia			470050-724
France					470050-714	Spain			470050-725
Greece/Poland					470050-715	Sweden/Finland			470050-726
Hungary					470050-716	Switzerland			470050-727
Israel					470050-718	Turkey			470050-728
Italy					470050-719	United Kingdom			470050-729
The Netherlands					470050-720				
N1020v	P	240	X4	40	W	C	25	O	
Brazil					470050-117	Latin America			470050-114
Latin America					470050-102	(NAFTA)			
						United States			470051-359

**Table 1-2  
Compaq Evo Notebook N1020v Models (Continued)**

N1020v	P	200	X5	30	W	C	25	O	
Brazil					470050-118	Latin America (NAFTA)			470050-113
Latin America					470050-104	United States			470051-360
N1020v	P	200	X4	30	W	C	25	O	
Brazil					470050-119	Latin America (NAFTA)			470050-111
Latin America					470050-105	United States			470051-361
N1020v	P	200	X4	30	V	C	25	E	
Belgium					470045-655	Norway			470045-676
Czech Republic					470045-656	Portugal			470045-677
Denmark					470045-659	Russia			470045-680
European International					470045-660	Saudi Arabia			470045-652
France					470045-664	Slovenia			470045-681
Greece/Poland					470045-665	Spain			470045-684
Hungary					470045-668	Sweden/Finland			470045-685
Israel					470045-669	Switzerland			470045-688
Italy					470045-672	Turkey			470045-689
The Netherlands					470045-673	United Kingdom			470045-692
N1020v	P	200	X4	30	V	C	25	O	
Belgium					470050-059	Norway			470050-081
Czech Republic					470050-060	Portugal			470050-084
Denmark					470050-064	Russia			470050-087
European International					470050-065	Saudi Arabia			470050-056
France					470050-068	Slovenia			470050-088
French Canada					470045-650	Spain			470050-091
Greece/Poland					470050-069	Sweden/Finland			470050-092
Hungary					470050-072	Switzerland			470050-095
Israel					470050-073	Turkey			470050-096
Italy					470050-077	United Kingdom			470050-099
The Netherlands					470050-078	United States			470045-647

**Table 1-2**  
**Compaq Evo Notebook N1020v Models (Continued)**

N1020v	P	200	X4	20	V	C	25	O	
Asia/Pacific					470051-324	People's			470051-343
Australia					470051-311	Republic of			
Hong Kong					470051-335	China			
India					470051-328	Taiwan			470051-331
Korea					470051-338	Thailand			470051-316
N1020v	P	200	X4	20	D	C	25	O	
Asia/Pacific					470051-323	Japan (English)			470045-701
Australia					470051-296	Korea			470051-337
Hong Kong					470051-334	Taiwan			470051-330
India					470051-327	Thailand			470051-314
Japan					470045-696				
N1020v	P	200	X4	20	D	C	12	2	
Japan					470045-697	Japan (English)			470045-700
N1020v	P	180	X5	30	W	C	25	O	
Belgium					470047-943	Norway			470047-986
Czech Republic					470047-946	Portugal			470047-989
Denmark					470047-947	Russia			470047-990
European					470047-950	Saudi Arabia			470047-937
International						Slovenia			470047-993
France					470047-952	Spain			470047-994
Greece/Poland					470047-960	Sweden/Finland			470047-998
Hungary					470047-962	Switzerland			470048-001
Israel					470047-966	Turkey			470084-004
Italy					470047-980	United Kingdom			470804-005
The Netherlands					470047-985				
N1020v	P	180	X4	40	W	C	40	O	
Asia/Pacific					470051-326	Korea			470051-341
Australia					470051-313	Taiwan			470051-333

**Table 1-2**  
**Compaq Evo Notebook N1020v Models (Continued)**

N1020v	P	180	X4	30	W	C	25	O	
Brazil					470050-120	People's			470051-344
Latin America					470050-106	Republic of			
Latin America (NAFTA)					470050-110	China			
						United States			470051-362
N1020v	P	180	X4	30	V	C	25	O	
Belgium					470047-944	Norway			470047-987
Czech Republic					470047-945	Portugal			470047-988
Denmark					470047-948	Russia			470047-991
European International					470047-949	Saudi Arabia			470047-934
France					470047-955	Slovenia			470047-992
Greece/Poland					470047-959	Spain			470047-995
Hungary					470047-963	Sweden/Finland			470047-996
Israel					470047-964	Switzerland			470048-002
Italy					470047-983	Turkey			470048-003
The Netherlands					470047-984	United Kingdom			470048-006
N1020v	C	160	X4	30	W	C	25	E	
Belgium					470049-667	Norway			470049-781
Czech Republic					470049-670	Portugal			470049-784
Denmark					470049-671	Russia			470049-785
European International					470047-921	Saudi Arabia			470049-666
France					470049-674	Slovenia			470049-788
Greece/Poland					470049-675	Spain			470049-789
Hungary					470049-678	Sweden/Finland			470049-792
Israel					470049-679	Switzerland			470049-793
Italy					470049-682	Turkey			470049-797
The Netherlands					470049-780	United Kingdom			470049-798
N1020v	C	160	X4	30	W	C	25	O	
Brazil					470050-121	Latin America			470050-108
Latin America					470050-107	(NAFTA)			
						United States			470051-363

**Table 1-2**  
**Compaq Evo Notebook N1020v Models (Continued)**

N1020v	C	160	X4	20	D	C	25	E	
French Canada			470045-651			Japan English			470047-930
Japan			470047-933			United States			470045-646
N1020v	C	160	X4	20	D	C	25	O	
Japan			470047-932			United States			470047-364
Japan (English)			470047-931						
N1020v	C	160	X4	20	D	C	12	2	
Japan			470045-695			Japan (English)			470045-702
N1020v	C	150	X4	20	V	C	25	E	
Belgium			470049-668			Norway			470049-782
Czech Republic			470049-669			Portugal			470049-783
Denmark			470049-672			Russia			470049-786
European International			470049-661			Saudi Arabia			470049-665
France			470049-673			Slovenia			470049-787
Greece/Poland			470049-676			Spain			470049-790
Hungary			470049-677			Sweden/Finland			470049-791
Israel			470049-680			Switzerland			470049-794
Italy			470049-681			Turkey			470049-795
The Netherlands			470049-779			United Kingdom			470049-799

**Table 1-3  
Compaq Evo Notebook N1000v Models**

The following Evo Notebook N1000v models use config. code KQDZ and feature:

- Dual Stick pointing device (TouchPad and pointing stick)
- 8-cell, 4.0-Ah lithium ion (Li ion) battery pack
- 3-year warranty
- diskette drive
- 32 MB of discrete video memory

N1000v	P	180	P5	40	W	C	25	O	
Australia			470038-699						
N1000v	P	180	P5	40	W	C	25	2	
Australia			470038-700						
N1000v	P	180	X4	40	W	C	25	O	
Australia			470038-697						
N1000v	P	180	X4	40	W	C	25	2	
Australia			470038-698						
N1000v	P	170	X5	30	W	C	25	O	
Asia Pacific			470038-336			Korea		470038-341	
Australia			470038-333			United States		470037-782	
French Canada			470039-985						
N1000v	P	170	X5	30	W	C	25	2	
Asia Pacific			470038-335			Korea		470038-342	
Australia			470038-334			United States		470037-783	
French Canada			470039-988						
N1000v	P	170	X4	30	V	C	25	O	
Australia			470038-695						
N1000v	P	170	X4	30	V	C	25	2	
Australia			470038-696						

**Table 1-3**  
**Compaq Evo Notebook N1000v Models (Continued)**

The following Evo Notebook N1000v models use config. code KT2Z and feature:

- TouchPad pointing device
- 8-cell, 4.0-Ah Li ion battery pack
- 2-year warranty
- diskette drive
- 32 MB of discrete video memory

N1000v	P	220	P5	30	W	C	25	O	
Germany			470036-634						
N1000v	P	220	P5	30	W	C	25	2	
Germany			470036-635						
N1000v	P	200	X4	20	V	C	25	O	
Germany			470036-632						
N1000v	P	200	X5	20	V	C	25	2	
Germany			470036-633						



**Table 1-3  
Compaq Evo Notebook N1000v Models (Continued)**

The following Evo Notebook N1000v models use config. code **KQFZ** and feature:

- TouchPad
- 8-cell, 4.0-Ah Li ion battery pack
- 1-year warranty
- diskette drive
- 32 MB of discrete video memory

N1000v	P	220	P5	40	W	C	25	O	
Japan					470036-636	Japan (English)			470036-639
N1000v	P	220	P5	30	W	C	25	O	
Belgium			470036-696			Portugal			470036-739
Czech Republic			470036-700			Russia			470036-743
Denmark			470036-704			Saudi Arabia			470036-692
France			470036-707			Slovenia			470036-748
French Canada			470038-312			Spain			470036-751
Greece/Poland			470036-712			Sweden/Finland			470036-756
Hungary			470036-715			Switzerland			470036-759
Israel			470036-720			Turkey			470036-764
Italy			470036-723			United Kingdom			470036-767
The Netherlands			470036-730			United States			470038-311
Norway			470036-733						
N1000v	P	220	P5	30	W	C	25	2	
Belgium			470036-697			Portugal			470036-741
Czech Republic			470036-701			Russia			470036-742
Denmark			470036-705			Saudi Arabia			470036-693
France			470036-706			Slovenia			470036-749
Greece/Poland			470036-713			Spain			470036-750
Hungary			470036-714			Sweden/Finland			470036-757
Israel			470036-721			Switzerland			470036-758
Italy			470036-722			Turkey			470036-765
The Netherlands			470036-731			United Kingdom			470036-766
Norway			470036-732						
N1000v	P	220	P5	30	V	C	25	O	
Taiwan					470038-800				

**Table 1-3**  
**Compaq Evo Notebook N1000v Models (Continued)**

N1000v	P	220	P5	30	V	C	25	2	
Taiwan			470038-801						
N1000v	P	220	X5	30	W	C	25	O	
Latin America			470037-832			Latin America (NAFTA)		470037-833	
N1000v	P	200	P5	30	V	C	25	O	
Hong Kong			470038-807						
N1000v	P	200	X5	30	W	C	25	O	
Asia Pacific			470037-828			Latin America (NAFTA)		470036-617	
Australia			470037-824						
French Canada			470036-619			Thailand		470037-825	
Korea			470037-829			United States		470036-618	
Latin America			470036-616						
N1000v	P	200	X5	30	W	C	25	2	
French Canada			4770036-620			Latin America (NAFTA)		4770036-623	
Latin America			4770036-622			United States		4770036-621	
N1000v	P	200	X5	20	W	C	25	O	
Latin America			4770037-831			Latin America (NAFTA)		470037-834	
N1000v	P	200	X5	20	D	C	12	O	
Asia Pacific			470037-957			Korea		470037-960	
Australia			470037-953			Taiwan		470038-782	
Japan			470036-638			Thailand		470037-956	
Japan (English)			470036-641						
N1000v	P	200	X5	20	D	C	12	2	
Japan			470036-637			Taiwan		470038-783	
Japan (English)			470036-640						

**Table 1-3  
Compaq Evo Notebook N1000v Models (Continued)**

N1000v	P	200	X4	30	W	C	25	O	
Brazil			470038-304			Latin America		470038-305	
Latin America			470038-299			(NAFTA)			
						United States		470038-310	
N1000v	P	200	X4	30	V	C	25	O	
People's Republic of China			470038-791						
N1000v	P	200	X4	20	V	C	25	O	
Asia Pacific			470037-837			The Netherlands		470036-727	
Australia			470037-835			Norway		470036-735	
Belgium			470036-694			Portugal		470036-736	
Czech Republic			470036-698			Russia		470036-745	
Denmark			470036-702			Saudi Arabia		470036-689	
France			470036-709			Slovenia		470036-746	
French Canada			470036-629			Spain		470036-753	
Greece/Poland			470036-710			Sweden/Finland		470036-754	
Hungary			470036-717			Switzerland		470036-761	
Israel			470036-718			Taiwan		470038-803	
Italy			470036-725			Thailand		470037-836	
Korea			470037-838			Turkey		470036-762	
Latin America			470036-625			United Kingdom		470036-769	
Latin America (NAFTA)			470036-624			United States		470036-628	

**Table 1-3**  
**Compaq Evo Notebook N1000v Models (Continued)**

N1000v	P	200	X4	20	V	C	25	2	
Belgium					470036-695	Norway			470036-734
Czech Republic					470036-699	Portugal			470036-737
Denmark					470036-703	Russia			470036-744
France					470036-708	Saudi Arabia			470036-690
French Canada					470036-630	Slovenia			470036-747
Greece/Poland					470036-711	Spain			470036-752
Hungary					470036-716	Sweden/Finland			470036-755
Israel					470036-719	Switzerland			470036-760
Italy					470036-724	Taiwan			470038-802
Latin America					470036-626	Turkey			470036-763
Latin America (NAFTA)					470036-627	United Kingdom			470036-768
The Netherlands					470036-728	United States			470036-631
N1000v	P	200	X4	20	D	C	12	O	
Hong Kong					470038-804	People's Republic of China			470038-790
N1000v	P	160	X4	30	W	C	25	O	
Brazil					470038-303	Latin America (NAFTA)			470038-306
Latin America					470038-300	United States			470038-309
N1000v	P	150	X4	20	V	C	25	O	
Brazil					470038-302	Latin America (NAFTA)			470038-307
Latin America					470038-301	United States			470038-308
N1000v	C	150	X4	20	V	C	25	O	
Asia Pacific					470037-827	Norway			470037-809
Australia					470037-823	Thailand			470037-826
French Canada					470037-787	United States			470037-785
Korea					470037-830				

**Table 1-3  
Compaq Evo Notebook N1000v Models (Continued)**

N1000v	C	150	X4	20	V	C	25	2			
French Canada						4770037-786				United States	470037-784
N1000v	C	150	X4	20	D	C	12	O			
Asia Pacific						470037-958				Korea	470037-959
Australia						470037-954				Taiwan	470038-793
Hong Kong						470038-805				Thailand	470037-955
Japan						470037-949				United States	470041-610
Japan (English)						470037-951					
N1000v	C	150	X4	20	D	C	12	2			
Japan						470037-950				Japan (English)	470037-952
N1000v	C	150	X4	20	D	C	12	E			
Japan						470038-313				Japan (English)	470038-314
N1000v	C	140	X4	20	D	C	12	E			
United States (NAFTA)						470040-456					

**Table 1-4  
Compaq Presario 1500 Models**

The following Presario 1500 notebook models use config. code **LDLZ** and feature:

- TouchPad
- 8-cell, 4.0-Ah Li ion battery pack
- 2-year warranty
- diskette drive
- 32 MB of discrete video memory

P1527	P	240	X5	30	W	C	51	E			
Germany						470046-799					
P1525	P	240	X5	30	W	C	25	E			
Belgium						470045-511				Norway	470045-534
Germany						470045-530					

**Table 1-4**  
**Compaq Presario 1500 Models (Continued)**

P1522	P	200	X4	30	W	C	25	E	
Belgium			470046-243						
The following Presario 1500 notebook models use config. code <b>KT2Z</b> and feature:									
<ul style="list-style-type: none"> <li>■ TouchPad</li> <li>■ 8-cell, 4.0-Ah Li ion battery pack</li> <li>■ 2-year warranty</li> <li>■ diskette drive</li> <li>■ 32 MB of discrete video memory</li> </ul>									
P1515	P	240	X5	30	W	C	25	E	
Belgium			470044-593			Italy		470044-595	
Germany			470044-594			The Netherlands		470044-596	
P1510	P	220	X5	30	W	C	25	E	
Belgium			470036-664			The Netherlands		470036-670	
Denmark			470036-665			Norway		470036-671	
Germany			470036-667			Sweden/Finland		470036-673	
Italy			470036-599						
P1508	P	200	X5	20	V	C	25	E	
Sweden/Finland			470041-611						
P1507	P	200	X4	20	W	C	25	E	
The Netherlands			470039-996						
P1505	P	200	X4	20	W	C	25	E	
Belgium			470036-663			The Netherlands		470036-669	
Denmark			470036-597			Norway		470036-672	
Germany			470036-666			Sweden/Finland		470036-598	
Italy			470036-668						

**Table 1-4  
Compaq Presario 1500 Models (Continued)**

The following Presario 1500 notebook models use config. code **LDLZ** and feature:

- TouchPad
- 8-cell, 4.0-Ah Li ion battery pack
- 1-year warranty
- diskette drive
- 32 MB of discrete video memory

P1525	P	240	P5	40	W	C	51	E	
Canada (English)			470047-864			United States			470046-473
French Canada			470047-863						
P1522	P	240	X5	60	W	C	51	O	
Latin America			470045-559			Latin America (NAFTA)			470045-560
P1575	P	240	X5	40	W	C	51	E	
Korea			470050-054						
P1528	P	240	X5	40	W	C	51	E	
United States			470046-474						
P1580	P	240	X5	40	W	C	25	E	
Asia Pacific			470050-696			Thailand			470050-701
P1513	P	240	X5	40	W	C	25	E	
Korea			470045-728						
P1527	P	240	X5	30	W	C	51	E	
The Netherlands			470048-572						
P1555	P	240	X5	30	W	C	25	E	
Asia Pacific			470047-701			Korea			470050-053
Australia/New Zealand			470047-705			Thailand			470047-704
India			470047-700						

**Table 1-4**  
**Compaq Presario 1500 Models (Continued)**

P1525	P	240	X5	30	W	C	25	E	
Czech Republic					470045-421	Portugal			470047-911
Denmark					470047-908	Russia			470045-554
European International					470045-550	Saudi Arabia			470045-420
France					470045-551	Slovenia			470045-555
Greece/Poland					470045-552	Spain			470047-912
Israel					470045-553	Sweden/Finland			470047-913
Italy					470047-909	Switzerland			470045-556
The Netherlands					470047-910	Turkey			470045-557
						United Kingdom			470045-558
P1516	P	240	X5	30	W	C	25	E	
European International					470047-873				
P1515	P	240	X5	30	W	C	25	E	
European International					470044-599	Israel			470044-601
France					470047-867	Russia			470047-347
Greece/Poland					470044-600	Saudi Arabia			470044-598
						Switzerland			470044-802
P1510	P	240	X5	30	W	C	25	E	
Australia					470045-732				
P1508	P	240	X5	30	W	C	25	E	
Asia Pacific					470045-720	Thailand			470045-719
P1510	P	240	X5	30	V	C	25	E	
India					470045-723				
P1514	P	240	X5	20	V	C	25	E	
Korea					470045-729				
P1572	P	240	X4	40	W	C	25	E	
Hong Kong					470050-700				



**Table 1-4  
Compaq Presario 1500 Models (Continued)**

P1520	P	240	X4	40	W	C	25	E	
Latin America					470045-422	Latin America (NAFTA)			470045-429
P1508	P	240	X4	40	W	C	25	E	
Hong Kong					470045-737				
P1568	P	240	X4	40	V	C	25	E	
Taiwan					470050-704				
P1532	P	240	X4	30	W	C	25	E	
Asia Pacific					470050-697				
P1570	P	240	X4	30	V	C	25	E	
Hong Kong					470050-699	Taiwan			470048-576
P1545	P	240	X4	30	V	C	25	E	
India					470047-699				
P1515	P	240	X4	30	V	C	25	E	
Korea					470045-730				
P1512	P	240	X4	30	V	C	25	E	
Taiwan					470045-739				
P1511	P	240	X4	30	V	C	12	E	
India					470045-725				
P1550	P	240	X4	20	W	C	25	E	
Australia/New Zealand					470047-706				
P1509	P	240	X4	20	W	C	25	E	
Australia					470045-731				
P1565	P	240	X4	20	V	C	25	E	
Hong Kong					470048-578	Korea			470050-055

**Table 1-4**  
**Compaq Presario 1500 Models (Continued)**

P1509	P	240	X4	20	D	C	25	E		
Asia Pacific						470045-721	Thailand			470045-722
P1512	P	240	X4	20	D	C	12	E		
India						470045-726				
P1523	P	200	X5	20	W	C	25	E		
France						470048-571				
P1505	P	200	X4	40	W	C	25	E		
Hong Kong						470042-497				
P1522	P	200	X4	30	W	C	25	E		
Czech Republic						470046-238	Greece/Poland			470046-783
European						470046-239	Saudi Arabia			470046-235
International							United Kingdom			470046-241
France						470046-240				
P1516	P	200	X4	30	W	C	25	E		
Canada (English)						470047-878	United States			470047-876
French Canada						470047-879				
1507	P	200	X4	30	W	C	25	E		
Hong Kong						470045-736				
P1538	P	200	X4	30	V	C	25	E		
Taiwan						470050-703				
P1511	P	200	X4	30	V	C	25	E		
Taiwan						470046-696				
P1508	P	200	X4	20	W	C	25	E		
Asia Pacific						470041-812	Australia			470041-811
P1536	P	200	X4	20	V	C	25	E		
Taiwan						470050-705				

**Table 1-4  
Compaq Presario 1500 Models (Continued)**

P1506	P	200	X4	20	V	C	25	E	
Hong Kong			470045-735						
P1540	P	200	X4	20	R	C	25	E	
Asia Pacific			470047-702			Thailand		470047-703	
P1535	P	200	X4	20	R	C	25	E	
India			470047-698						
P1510	P	200	X4	20	D	C	12	E	
Taiwan			470045-738						
P1530	P	190	X4	30	V	C	25	E	
People's Republic of China			470047-697						
P1520	P	180	X5	40	W	C	51	E	
Canada (English) French Canada			470047-865 470047-866			United States		470047-344	
P1531	P	180	X4	30	V	C	25	E	
People's Republic of China			470048-574						
P1502	P	180	X4	30	V	C	12	E	
People's Republic of China			470045-734						
P1528	P	180	X4	20	D	C	25	E	
Asia Pacific			470050-698						
P1504	P	160	X4	30	W	C	25	E	
Hong Kong			470040-458						
P1522	C	170	X4	20	D	C	25	E	
People's Republic of China			470050-706						

**Table 1-4**  
**Compaq Presario 1500 Models (Continued)**

P1525	C	160	X4	20	R	C	25	E			
Asia Pacific						470050-695				Taiwan	470048-577
P1520	C	160	X4	20	D	C	25	E			
People's Republic of China						470048-575					

The following Presario 1500 notebook model uses config. code **KQF1** and features:

- TouchPad
- 8-cell, 4.0-Ah Li ion battery pack
- 1-year warranty
- diskette drive
- 32 MB of discrete video memory

P1505	P	160	X5	30	W	C	25	E		
United States						470037-316				Wireless promotional model

The following Presario 1500 notebook model uses config. code **KQF2** and features:

- TouchPad
- 8-cell, 4.0-Ah Li ion battery pack
- 1-year warranty
- diskette drive
- 32 MB of discrete video memory

P1501	P	160	P5	30	W	C	25	E		
United States						470037-317				

**Table 1-4  
Compaq Presario 1500 Models (Continued)**

The following Presario 1500 notebook model uses config. code **KQF3** and features:

- TouchPad
- 8-cell, 4.0-Ah Li ion battery pack
- 1-year warranty
- diskette drive
- 32 MB of discrete video memory

P1500	C	150	X4	20	W	C	25	E		
United States						470038-813				Wireless promotional model

The following Presario 1500 notebook model uses config. code **KQF4** and features:

- TouchPad
- 8-cell, 4.0-Ah Li ion battery pack
- 1-year warranty
- diskette drive
- 32 MB of discrete video memory

P1510	P	220	P5	40	W	C	51	E		
United States						470036-657				Wireless promotional model

The following Presario 1500 notebook models use config. code **KQFZ** and feature:

- TouchPad
- 8-cell, 4.0-Ah Li ion battery pack
- 1-year warranty
- diskette drive
- 32 MB of discrete video memory

P1510	P	220	X5	30	W	C	25	E	
Europe International			470036-775			Russia		470036-786	
Greece/Poland			470036-778			Saudi Arabia		470036-771	
Hungary			470036-779			Switzerland		470036-596	
Israel			470036-782			United Kingdom		470036-796	

P1502	P	220	X5	30	W	C	51	E		
Latin America						470036-600				Latin America (NAFTA) 470036-799

**Table 1-4**  
**Compaq Presario 1500 Models (Continued)**

P1500	P	220	X5	30	W	C	25	E	
Asia Pacific			470036-808			Korea			470036-816
Australia			470036-800			Thailand			470038-324
P1510	P	200	P5	40	W	C	51	E	
French Canada			470036-593			Canada			470037-841
P1501	P	200	X5	30	W	C	25	E	
Korea			470036-815						
P1507	P	200	X5	30	V	C	25	E	
India			470038-332						
P1505	P	200	X5	20	W	C	25	E	
Europe International			470036-774			Russia			470036-785
Greece/Poland			470036-594			Saudi Arabia			470036-770
Hungary			470036-780			Switzerland			470036-792
Israel			470036-781			United Kingdom			470036-797
P1504	P	200	X5	20	V	C	25	E	
Korea			470037-904						
P1506	P	200	X4	30	V	C	12	E	
India			470038-327						
P1501	P	200	X4	20	W	C	25	E	
Latin America			470036-601			Latin America (NAFTA)			470036-602
P1500	P	200	X4	20	W	C	25	E	
Taiwan			470038-812						

**Table 1-4  
Compaq Presario 1500 Models (Continued)**

P1500	P	200	X4	20	W	C	25	E	
Australia			470036-818						
P1503	P	200	X4	20	D	C	25	E	
Asia Pacific Korea			470036-805 470036-813			Thailand		470036-804	
P1505	P	200	X4	20	D	C	12	E	
India			470038-326						
P1500	P	160	X4	20	V	C	25	E	
Hong Kong			470038-810						
P1500	P	160	X4	20	V	C	12	E	
People's Republic of China			470037-319						
P1500	P	150	X4	30	D	C	12	E	
Taiwan			470037-320						
P1500	C	150	X4	20	D	C	12	E	
Taiwan			470038-811						

## 1.2 Features

The notebook has the following features:

- The following processors are available, varying by notebook model:
  - The Evo Notebook N1020v features an Intel Mobile Pentium 4 2.4-, 2.0-, or 1.8-GHz processor with 512-KB integrated L2 cache, or an Intel Celeron 1.6- or 1.5-GHz processor with 256-KB integrated L2 cache.

- ❑ The Evo Notebook N1000v features an Intel Mobile Pentium 4 2.2-, 2.0-, 1.8-, 1.7-, 1.6-, or 1.5-GHz processor with 512-KB integrated L2 cache, or an Intel Celeron 1.5- or 1.4-GHz processor with 256-KB integrated L2 cache.
- ❑ The Presario 1500 features an Intel Mobile Pentium 4 2.4-, 2.2-, 2.0-, 1.9-, 1.8-, 1.6-, or 1.5-GHz processor with 512-KB integrated L2 cache, or an Intel Celeron 1.6- or 1.5-GHz processor with 256-KB integrated L2 cache.
- ATI P7 graphics accelerator with 32 MB of shared Synchronous DRAM (SDRAM) and 4X AGP graphics card
- 128-MB high-performance SDRAM, expandable to 1.0 GB
- Microsoft Windows 2000, Windows XP Home, or Windows XP Professional, varying by computer model
- 15.0-inch SXGA+ (1400 × 1050) or XGA (1024 × 768), or 14.1-inch XGA (1024 × 768), TFT display with over 16.7 million colors, varying by computer model
- Full-size Windows 98 keyboard with:
  - ❑ TouchPad pointing device (Evo Notebook N1020v and N1000v and Presario 1500 models)
  - ❑ Dual Stick (TouchPad and point stick; Evo Notebook N1020v and N1000v models only)
- Network interface card (NIC) integrated on the system board, with a mini PCI V.92 modem
- Integrated wireless support of 802.11b and Bluetooth devices through MultiPort
- Support for one Type I or II PC Card slot with support for both 32-bit CardBus and 16-bit PC Cards
- External 65 W AC adapter with power cord
- 8-cell Li ion battery pack
- 40-, 30-, or 20-GB high-capacity hard drive, varying by computer model



- 1.44-MB diskette drive
- Support for the following drives through the fixed optical drive:
  - 24X Max CD-ROM drive
  - 16X Max CD-RW drive
  - 8X Max DVD-ROM drive
  - 8X Max DVD-ROM/CD-RW combination drive
- Connectors for:
  - RJ-45 network
  - RJ-11 modem
  - Universal serial bus
  - Parallel devices
  - External monitor
  - AC power
  - Stereo line out/headphone
  - Mono microphone
  - S-video
  - Port replicator
  - Infrared
  - 1394 digital input
- JBL Pro stereo speakers with bass reflex
- Dolby Digital certified sound

## 1.3 Clearing a Password

If the notebook you are servicing has an unknown password, follow these steps to clear the password. These steps also clear CMOS:

1. Prepare the computer for disassembly (refer to Section 5.3, “Preparing the Computer for Disassembly,” for more information).
2. Remove the RTC battery (refer to Section 5.7, “Disk Cell RTC Battery”).
3. Wait approximately five minutes.
4. Replace the RTC battery and reassemble the computer.
5. Connect AC power to the computer. Do **not** reinsert any battery packs at this time.
6. Turn on the computer.

All passwords and all CMOS settings have been cleared.

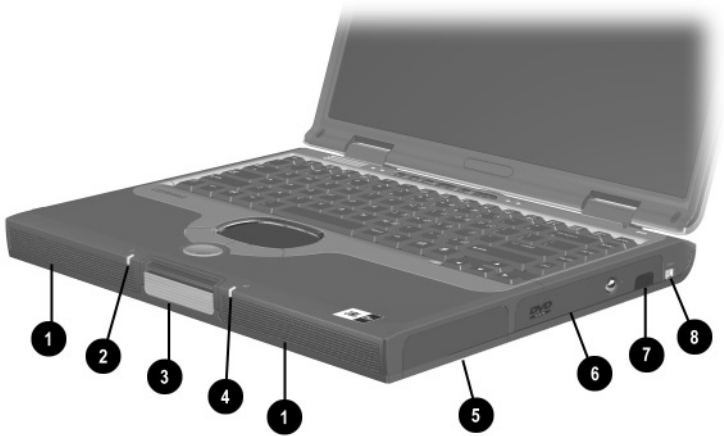
## 1.4 Power Management

The computer comes with power management features that extend battery operating time and conserve power. The computer supports the following power management features:

- Standby
- Hibernation
- Setting customization by the user
- Hotkeys for setting level of performance
- Smart battery that provides an accurate battery power gauge
- Battery calibration
- Lid switch suspend/resume
- Power/Suspend button
- Advanced Configuration and Power Management (ACP) compliance

## 1.5 Computer External Components

The external components on the front and right side of the computer are shown in Figure 1-2 and described in Table 1-5.



**Figure 1-2. Front and Right Side Components**

---

**Table 1-5  
Front and Right Side Components**

---

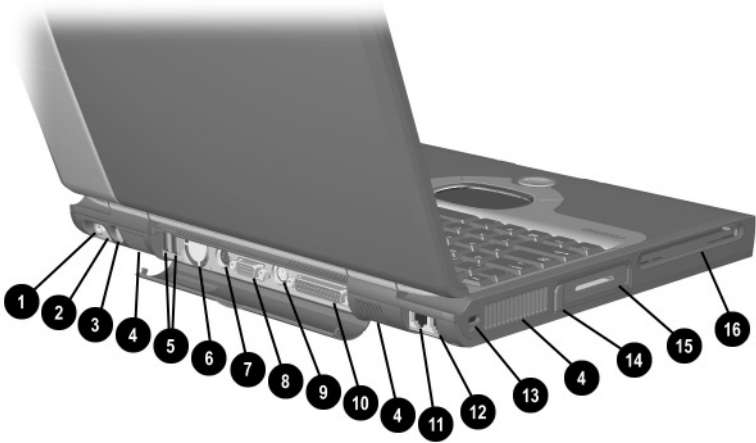
Item	Component	Function
1	Stereo speakers (2)	Produce stereo sound.
2	Power/Standby light	On: Power is turned on. Off: Power is turned off. Blinking: Computer is in Standby mode.

---

**Table 1-5**  
**Front and Right Side Components (Continued)**

<b>Item</b>	<b>Component</b>	<b>Function</b>
3	Display release latch	Opens the computer.
4	Battery light	On: A battery pack is charging. Blinking: A battery pack that is the only available power source has reached a low-battery condition.
5	Battery bay	Accepts an 8-cell Li ion battery pack.
6	Optical drive bay	Accepts a CD-ROM, CD-RW, DVD-ROM, or DVD/CD-RW combination drive.
7	Infrared port	Provides wireless communication between the computer and another infrared-equipped device using an infrared beam.
8	1394 jack	Connects IEEE 1394-compliant products, such as digital camcorders, video editing equipment, VCRs, cameras, and audio players. A 1394 firewire cable is required for use with this jack.

The computer rear panel and left side components are shown in Figure 1-3 and described in Table 1-6.




**Figure 1-3. Rear Panel and Left Side Components**

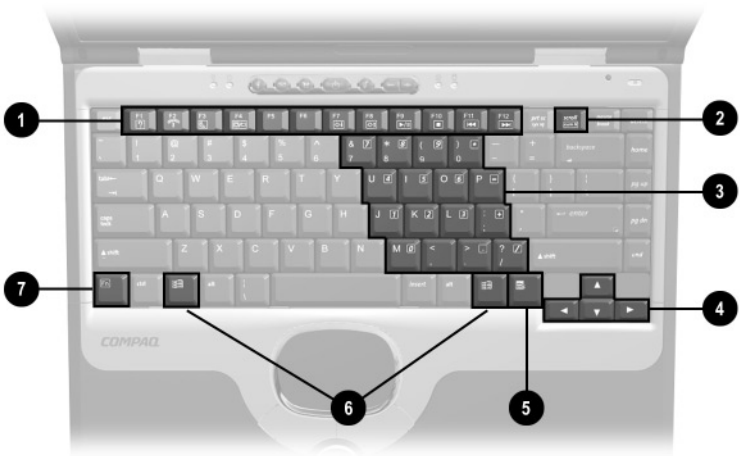
**Table 1-6  
Rear Panel and Left Side Components**

Item	Component	Function
1	Mono microphone jack	Connects a mono microphone, disabling the built-in microphone.
2	Stereo speaker/headphone jack	Connects stereo speakers, headphones, headset, or television audio.
3	DC power jack	Connects any one of the following: <ul style="list-style-type: none"><li>■ AC adapter</li><li>■ Optional automobile power adapter/charger</li><li>■ Optional aircraft power adapter</li></ul>

**Table 1-6**  
**Rear Panel and Left Side Components (*Continued*)**

<b>Item</b>	<b>Component</b>	<b>Function</b>
4	Vents	Allow airflow to cool internal components.
	<p> <b>CAUTION:</b> To prevent damage, the computer shuts down if an overheating condition occurs. Do not block the cooling vent. Avoid placing the computer on a blanket, rug, or other flexible surface that may cover the vent area.</p>	
5	USB connectors (2)	Connect USB devices.
6	Fan	Provides airflow to cool internal components.
7	S-Video connector	Connects a television, VCR, camcorder, or overhead projector.
8	External monitor connector	Connects an external monitor or overhead projector.
9	External keyboard/mouse connector	Connects an optional full-sized keyboard or mouse. An optional splitter/adaptor allows both an external keyboard and mouse to be used at the same time.
10	Parallel connector	Connects a parallel device.
11	RJ-45 network jack	Connects the network cable. A network cable is not included with the computer.
12	RJ-11 modem jack	Connects the modem cable to an internal modem. A modem cable is included with internal modem models.
13	Security cable slot	Attaches an optional security cable to the computer.
14	PC Card eject button	Ejects a PC Card from the PC Card slot.
15	PC Card slot	Supports a 32-bit (CardBus) or 16-bit PC Card.
16	Diskette drive	Accepts diskettes.

The computer keyboard components are shown in Figure 1-4 and described in Table 1-7.



**Figure 1-4. Keyboard Components**

---

**Table 1-7  
Keyboard Components**

---

Item	Component	Function
1	<b>F1</b> through <b>F12</b> function keys	Perform preset functions.
2	<b>Num lock</b> key	Turns on the numeric lock function. On: Num lock is on and the embedded numeric keypad is enabled.

---

---

**Table 1-7**  
**Keyboard Components (*Continued*)**

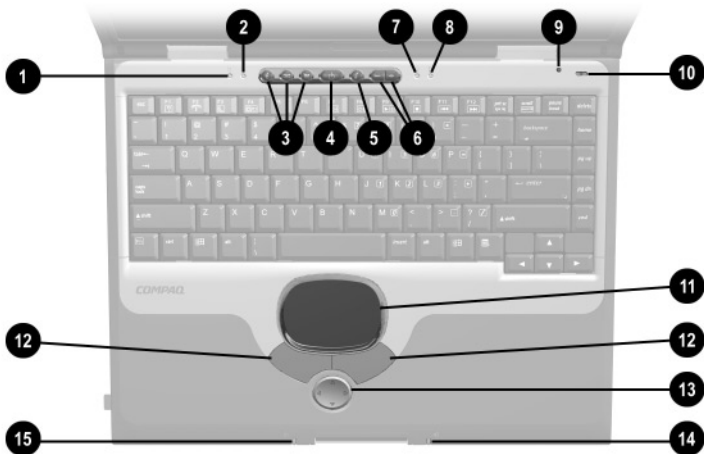
---

<b>Item</b>	<b>Component</b>	<b>Function</b>
3	Embedded numeric keypad	Converts keys to numeric keypad.
4	Cursor control keys	Move the cursor around the screen.
5	Windows application key	Displays a menu when using a Microsoft application. The menu is the same one that is displayed by pressing the right mouse button.
6	Windows logo keys	Display the Windows Start menu.
7	<b>Fn</b> key	Used with hotkeys to perform preset hotkey functions.

---



The computer top components are shown in Figure 1-5 and described in Table 1-8.



**Figure 1-5. Top Components**

---

**Table 1-8  
Top Components**

---

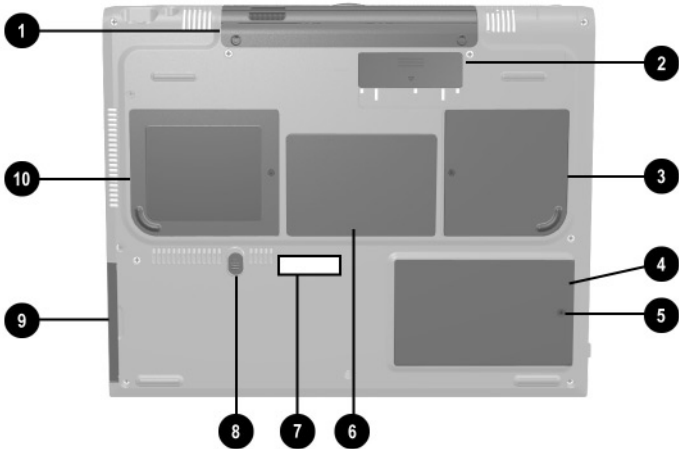
Item	Component	Function
1	Power light	On: Power is turned on. Blinking: Computer is in Standby. The power light also blinks if a battery pack that is the only available power source reaches a low-battery condition.
2	Num lock light	On: Num lock is on and the embedded numeric keypad is enabled.
3	Easy Access Buttons (3)	Provide quick access to the Internet. Refer to the Hardware Guide that ships with the computer for information about these buttons.

---

**Table 1-8**  
**Top Components (*Continued*)**

<b>Item</b>	<b>Component</b>	<b>Function</b>
4	Power button	Turns on the computer. Use the operating system Shut Down command to turn off the computer.
5	Digital audio button	Launches Windows Media Player to play MP3 music.
6	Volume control buttons	Adjust the volume of the stereo speakers.
7	Caps lock light	On: Caps lock is on.
8	Drive indicator light	Turns on when the hard drive, CD-, or DVD-ROM drive is accessed.
9	Display lid switch	Turns off the computer display if the computer is closed while on.
10	Microphone	Allows for audio input.
11	TouchPad	Moves the mouse cursor, selects, and activates.
12	TouchPad buttons	Function like the left and right mouse buttons on an external mouse.
13	EasyScroll	Scrolls the screen left, right, up, and down.
14	Battery power light	On: A battery pack is charging. Blinking: A battery pack that is the only available power source has reached a low-battery condition.
15	Power/Standby light	On: Power is turned on. Off: Power is turned off. Blinking: Computer is in Standby mode.

The external components on the bottom of the computer are shown in Figure 1-6 and described in Table 1-9.



**Figure 1-6. Bottom Components**

---

**Table 1-9  
Bottom Components**

---

Item	Component	Function
1	Connector cover	Protects the parallel, external monitor, external keyboard/mouse, and USB connectors.
2	Docking connector	Connects the computer to an optional port replicator.

---

**Table 1-9**  
**Bottom Components (*Continued*)**

<b>Item</b>	<b>Component</b>	<b>Function</b>
3	Mini PCI communications compartment	Contains the mini PCI modem card.
4	Hard drive bay	Supports the primary hard drive. The hard drive is secured to the computer by one screw.
5	Hard drive retention screw	Secures the hard drive to the computer.
6	Certificate of Authenticity label	Contains the Product Key, which may need to be entered before using some Windows operating systems.
7	Serial number	Identifies the computer; needed when you call Compaq customer support.
8	Battery pack release switch	Releases the battery pack from the battery compartment.
9	Battery bay	Accepts an 8-cell Li ion battery pack.
10	Memory expansion compartment	Covers the memory expansion compartment that contains two memory expansion slots for memory expansion boards.

## 1.6 Design Overview

This section presents a design overview of key parts and features of the computer. Refer to Chapter 3, “Illustrated Parts Catalog,” to identify replacement parts and Chapter 5, “Removal and Replacement Procedures,” for disassembly steps. The system board provides the following device connections:

- Memory expansion board
- Hard drive
- Display
- Keyboard/TouchPad or pointing stick
- Audio
- Intel Mobile Pentium 4 processors with SpeedStep technology or Intel Celeron processors
- Fan
- PC Card
- Modem or modem/NIC

The computer uses an electrical fan for ventilation. The fan is controlled by a temperature sensor and is designed to turn on automatically when high-temperature conditions exist. These conditions are affected by high external temperatures, system power consumption, power management/battery conservation configurations, battery fast charging, and software applications. Exhaust air is displaced through the ventilation grill located on the left side of the computer.



**CAUTION:** To properly ventilate the computer, allow at least a 7.6-cm (3-inch) clearance on the left and right sides of the computer.

---

---

## Troubleshooting



**WARNING:** Only authorized technicians trained by Compaq should repair this equipment. All troubleshooting and repair procedures are detailed to allow only subassembly/module level repair. Because of the complexity of the individual boards and subassemblies, no one should attempt to make repairs at the component level or make modifications to any printed wiring board. Improper repairs can create a safety hazard. Any indication of component replacement or printed wiring board modification may void any warranty or exchange allowances.

---

### 2.1 Computer Setup and Diagnostics Utilities

#### Selecting Computer Setup or Compaq Diagnostics

The computer features two Compaq system management utilities:

- **Computer Setup**—A system information and customization utility that can be used even when your operating system is not working or will not load. This utility includes settings that are not available in Windows.

- **Compaq Diagnostics**—A system information and diagnostic utility that is used within your Windows operating system. Use this utility whenever possible to:
  - ❑ Display system information.
  - ❑ Test system components.
  - ❑ Troubleshoot a device configuration problem in Windows 2000, Windows XP Professional, or Windows XP Home.

## Using Computer Setup

Information and settings in Computer Setup are accessed from the File, Security, or Advanced menus:

1. Turn on or restart the computer. Press **F10** while the F10 = ROM Based Setup message is displayed in the lower-left corner of the screen.
  - ❑ To change the language, press **F2**.
  - ❑ To view navigation information, press **F1**.
  - ❑ To return to the Computer Setup menu, press **esc**.
2. Select the File, Security, or Advanced menu.
3. To close Computer Setup and restart the computer:
  - ❑ Select File > Save Changes and Exit and press **enter**.
  - or
  - ❑ Select File > Ignore Changes and Exit and press **enter**.
4. When you are prompted to confirm your action, press **F10**.

## Selecting from the File Menu




**Table 2-1**  
**File Menu**

Select	To Do This
System Information	<ul style="list-style-type: none"> <li>■ View identification information about the computer, a docking base, and any battery packs in the system.</li> <li>■ View specification information about the processor, memory and cache size, and system ROM.</li> </ul>
Save to Floppy	Save system configuration settings to a diskette.
Restore from Floppy	Restore system configuration settings from a diskette.
Restore Defaults	Replace configuration settings in Computer Setup with factory default settings. (Identification information is retained.)
Ignore Changes and Exit	Cancel changes entered during the current session, then exit and restart the computer.
Save Changes and Exit	Save changes entered during the current session, then exit and restart the computer.



## Selecting from the Security Menu

**Table 2-2**  
**Security Menu**

Select	To Do This
Setup Password	Enter, change, or delete a setup password. (The setup password is called an administrator password in Compaq Computer Security, a program accessed from the Windows Control Panel.)
Power-on Password	Enter, change, or delete a power-on password.
DriveLock Passwords	Enable/disable DriveLock; change a DriveLock User or Master password.  Drive Lock Settings are accessible only when you enter Computer Setup by turning on (not restarting) the computer.
Password Options Password options can be selected only when a power-on password has been set.	Enable/disable: <ul style="list-style-type: none"> <li>■ QuickLock</li> <li>■ QuickLock on Standby</li> <li>■ QuickBlank</li> </ul>  To enable QuickLock on Standby or QuickBlank, you must first enable QuickLock.
Device Security	Enable/disable: <ul style="list-style-type: none"> <li>■ Ports or diskette drives*</li> <li>■ Diskette write*</li> <li>■ CD-ROM or diskette startup</li> </ul>  Settings for a DVD-ROM can be entered in the CD-ROM field.
System IDs	Enter identification numbers for the computer, a docking base, and all battery packs in the system.

\*Not applicable to SuperDisk LS-120 drives.

## Selecting from the Advanced Menu

**Table 2-3**  
**Advanced Menu**

Select	To Do This
Language (or press <b>F2</b> )	Change the Computer Setup language.
Boot Options	<p>Enable/disable:</p> <ul style="list-style-type: none"> <li>■ QuickBoot, which starts the computer more quickly by eliminating some startup tests. (If you suspect a memory failure and want to test memory automatically during startup, disable QuickBoot.)</li> <li>■ MultiBoot, which sets a startup sequence that can include most bootable devices and media in the system.</li> </ul>
Device Options	<ul style="list-style-type: none"> <li>■ Enable/disable the embedded numeric keypad at startup.</li> <li>■ Enable/disable multiple standard pointing devices at startup. (To set the computer to support only a single, usually nonstandard, pointing device at startup, select Disable.)</li> <li>■ Enable/disable USB legacy support for a USB keyboard. (When USB legacy support is enabled, the keyboard works even when a Windows operating system is not loaded.)</li> <li>■ Set an optional external monitor or overhead projector connected to a video card in a docking base as the primary device. (When the computer display is set as secondary, the computer must be shut down before undocking from a docking base.)</li> </ul>

---

**Table 2-3**  
**Advanced Menu (*Continued*)**

---

<b>Select</b>	<b>To Do This</b>
Device Options ( <i>continued</i> )	<ul style="list-style-type: none"><li>■ Change the parallel port mode from Enhanced Parallel Port (EPP, the default setting) to standard, bidirectional, EPP or Enhanced Capabilities Port (ECP).</li><li>■ Set video-out mode to NTSC (default), PAL, NTSC-J, or PAL-M.*</li><li>■ Enable/disable all settings in the SpeedStep window. (When Disable is selected, the computer runs in Battery Optimized mode.)</li><li>■ Specify how the computer recognizes multiple identical docking bases that are identically equipped. (Select Disable to recognize the docking bases as a single docking base; select Enable to recognize the docking bases individually, by serial number.)</li><li>■ Enable/disable the reporting of the processor serial number by the processor to the software.</li></ul>
HDD Self Test Options	Run a quick comprehensive self test on hard drives in the system that support the test features.

---

\* Video modes vary even within regions. However, NTSC is common in North America; PAL, in Europe, Africa, and the Middle East; NTSC-J, in Japan; and PAL-M, in Brazil. Other South and Central American regions may use NTSC, PAL, or PAL-M.

---

## 2.2 Using Compaq Diagnostics

When you access Compaq Diagnostics, a scan of all system components is displayed on the screen before the Compaq Diagnostics window opens.

You can display more or less information from anywhere within Compaq Diagnostics by selecting Level on the menu bar.

Compaq Diagnostics is designed to test Compaq components. If non-Compaq components are tested, the results may be inconclusive.

### Obtaining, Saving, or Printing Configuration Information

1. Access Compaq Diagnostics by selecting Start > Settings > Control Panel > Compaq Diagnostics.
2. Select Categories, then select a category from the drop-down list.
  - To save the information, select File > Save As.
  - To print the information, select File > Print.
3. To close Compaq Diagnostics, select File > Exit.

## Obtaining, Saving, or Printing Diagnostic Test Information

1. Access Compaq Diagnostics by selecting Start > Settings > Control Panel > Compaq Diagnostics.
2. Select the Test tab.
3. In the scroll box, select the category or device you want to test.
4. Select a test type:
  - Quick Test**—Runs a quick, general test on each device in a selected category.
  - Complete Test**—Performs maximum testing on each device in a selected category.
  - Custom Test**—Performs maximum testing on a selected device.
    - ◆ To run all tests for your selected device, click Check All.
    - ◆ To run only the tests you select, click Uncheck All, then select the checkbox for each test you want to run.

5. Select a test mode:
  - Interactive Mode**—Provides maximum control over the testing process. You determine whether the test was passed or failed, and you may be prompted to insert or remove devices.
  - Unattended Mode**—Does not display prompts. If errors are found, they are displayed when testing is complete.
6. Click Begin Testing.
7. Select a tab to view a test report:
  - Status tab**—Summarizes the tests run, passed, and failed during the current testing session.
  - Log tab**—Lists tests run on the system, the number of times each test has run, the number of errors found on each test, and the total run time of each test.
  - Error tab**—Lists all errors found in the computer with their error codes.
8. Select a tab to save the report:
  - Log tab**—Select Save.
  - Error tab**—Select Save.
9. Select a tab to print the report:
  - Log tab**—Select File > Save As, then print the file from your folder.

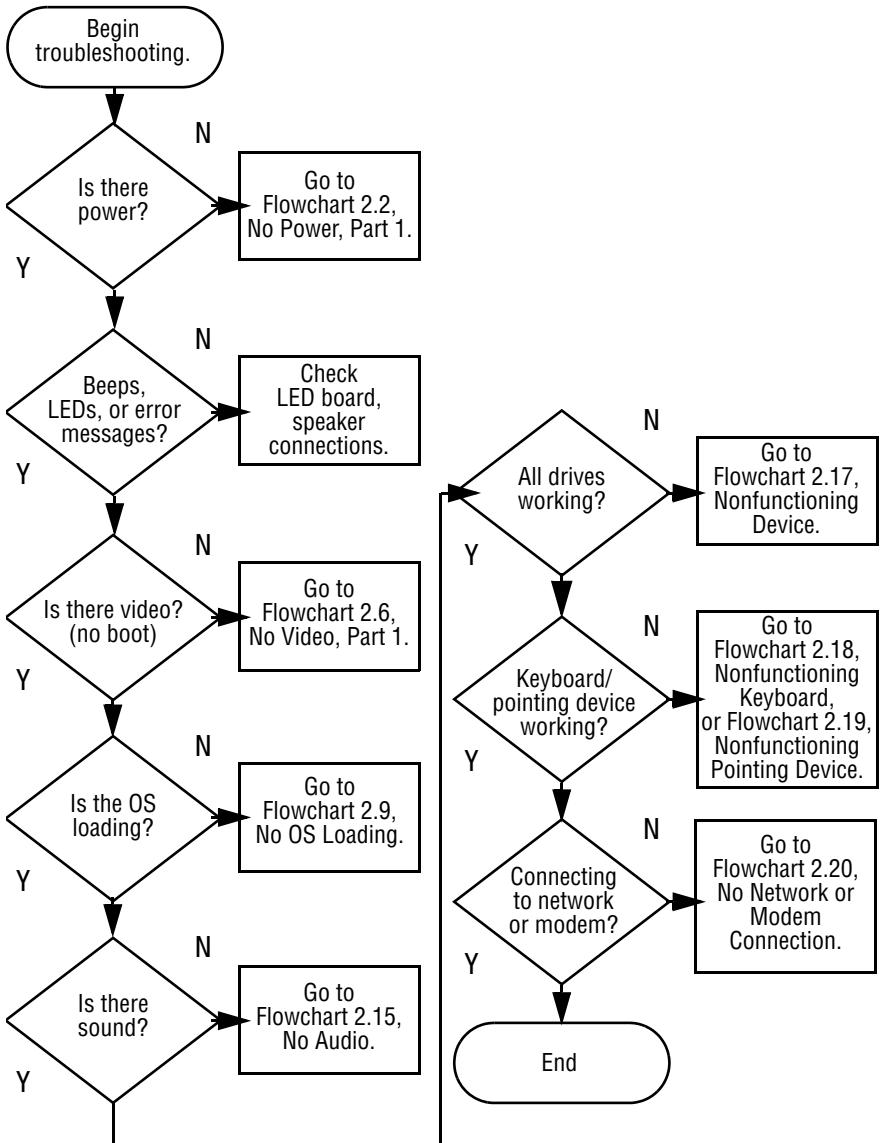
## 2.3 Troubleshooting Flowcharts

---

**Table 2-4**  
**Troubleshooting Flowcharts Overview**

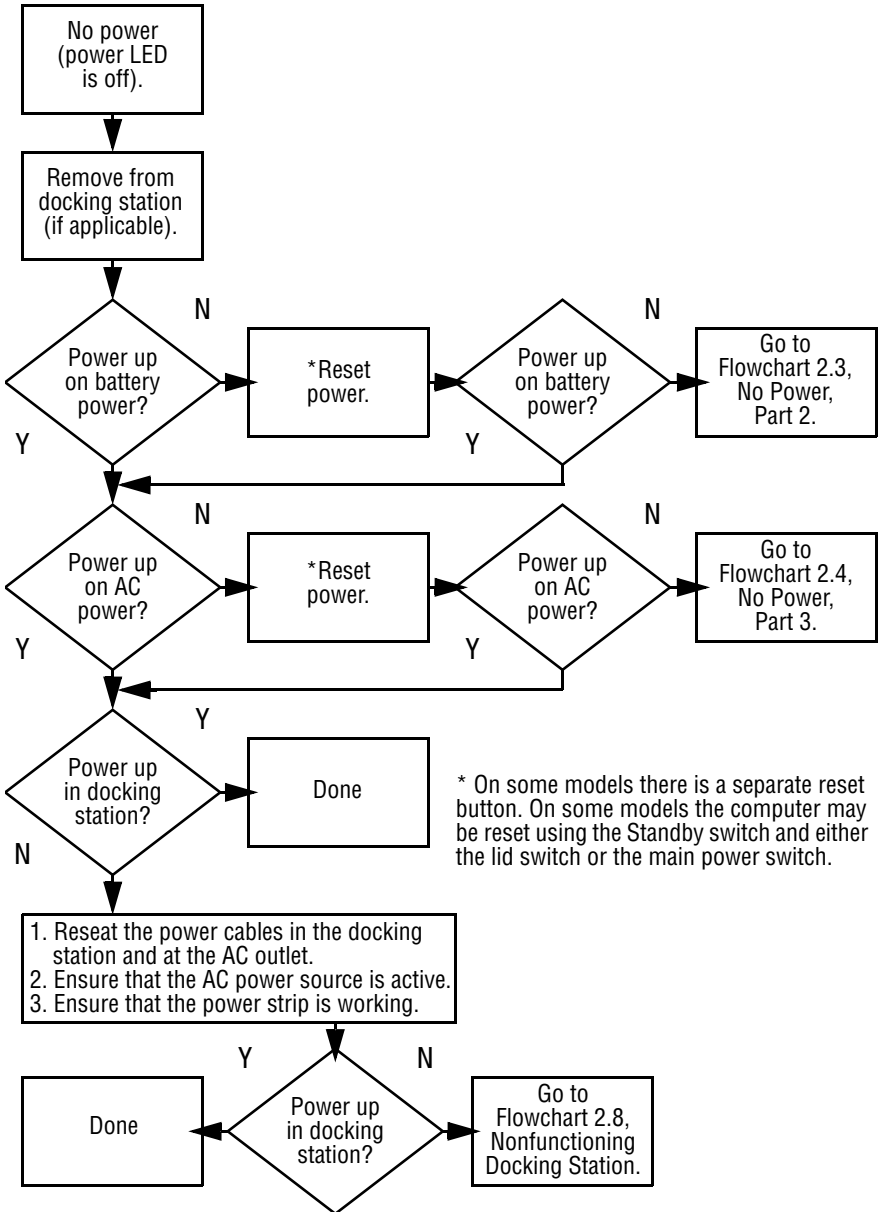
<b>Flowchart</b>	<b>Description</b>
2.1	Initial Troubleshooting
2.2	No Power, Part 1
2.3	No Power, Part 2
2.4	No Power, Part 3
2.5	No Power, Part 4
2.6	No Video, Part 1
2.7	No Video, Part 2
2.8	Nonfunctioning Docking Station
2.9	No Operating System (OS) Loading
2.10	No OS Loading From Hard Drive, Part 1
2.11	No OS Loading From Hard Drive, Part 2
2.12	No OS Loading From Hard Drive, Part 3
2.13	No OS Loading From Diskette Drive
2.14	No OS Loading From CD- or DVD-ROM Drive
2.15	No Audio, Part 1
2.16	No Audio, Part 2
2.17	Nonfunctioning Device
2.18	Nonfunctioning Keyboard
2.19	Nonfunctioning Pointing Device
2.20	No Network or Modem Connection

## Flowchart 2.1 - Initial Troubleshooting

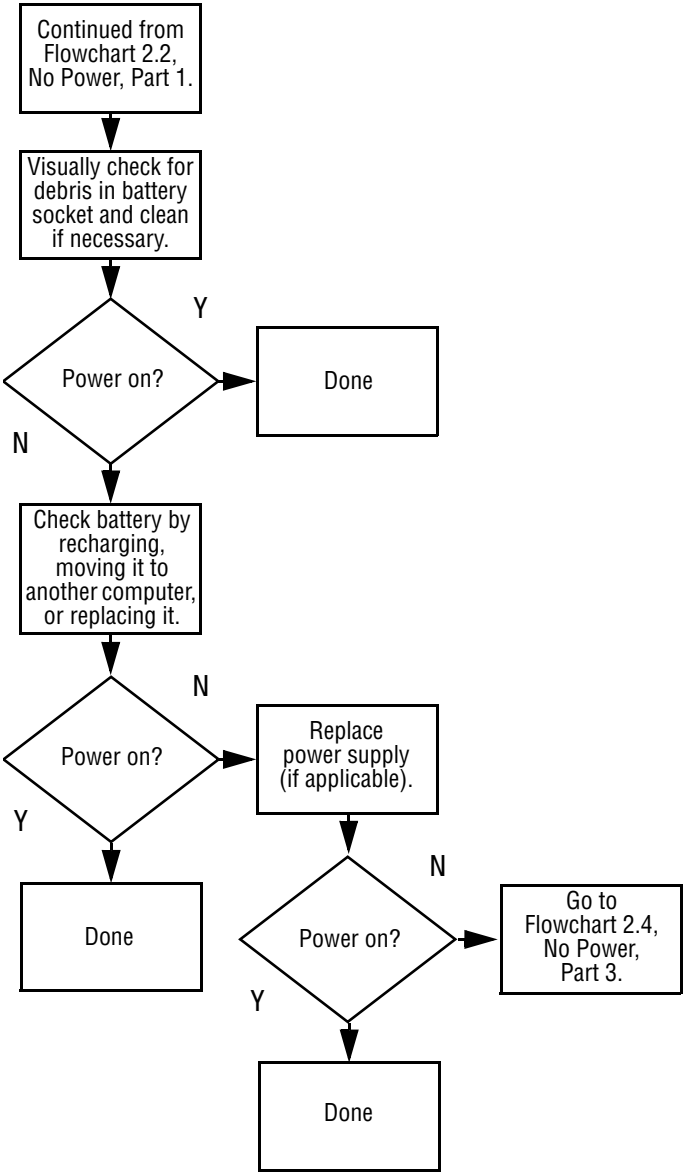




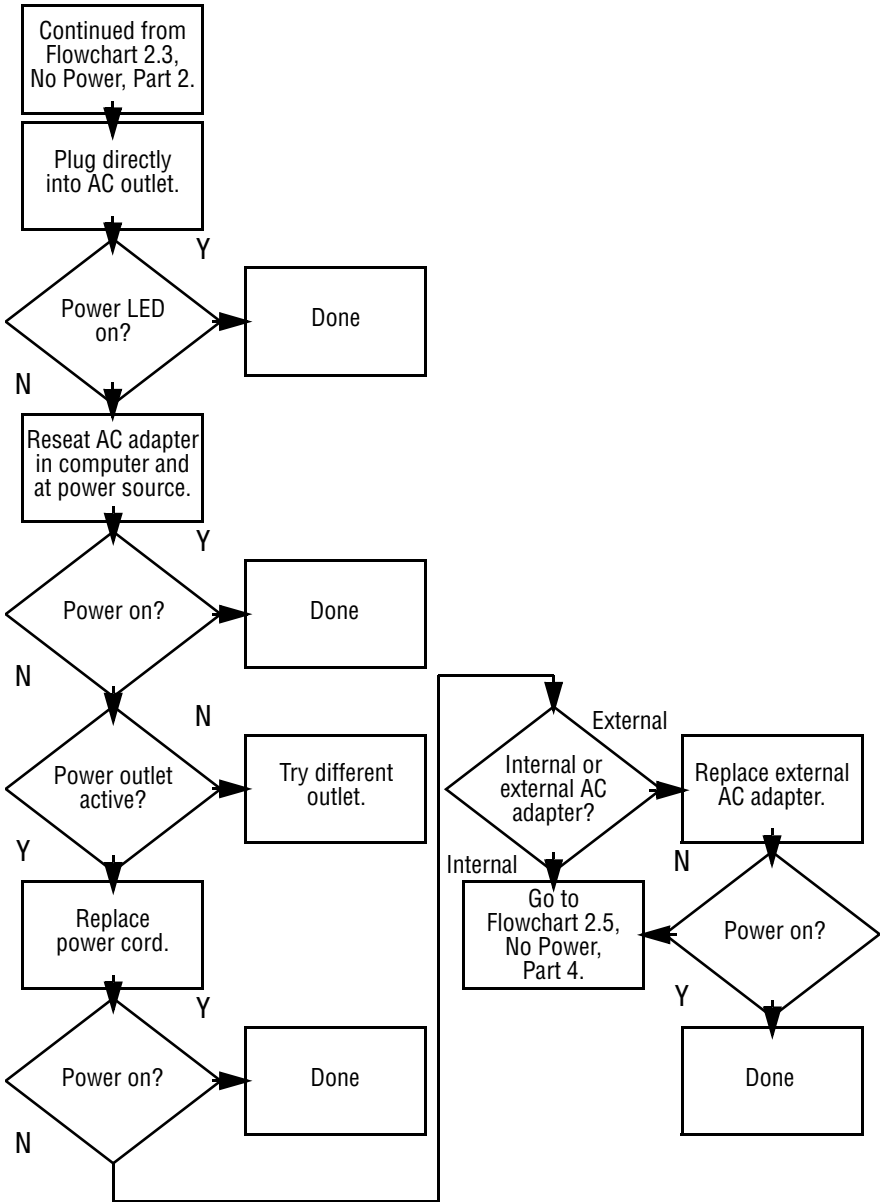
## Flowchart 2.2 - No Power, Part 1



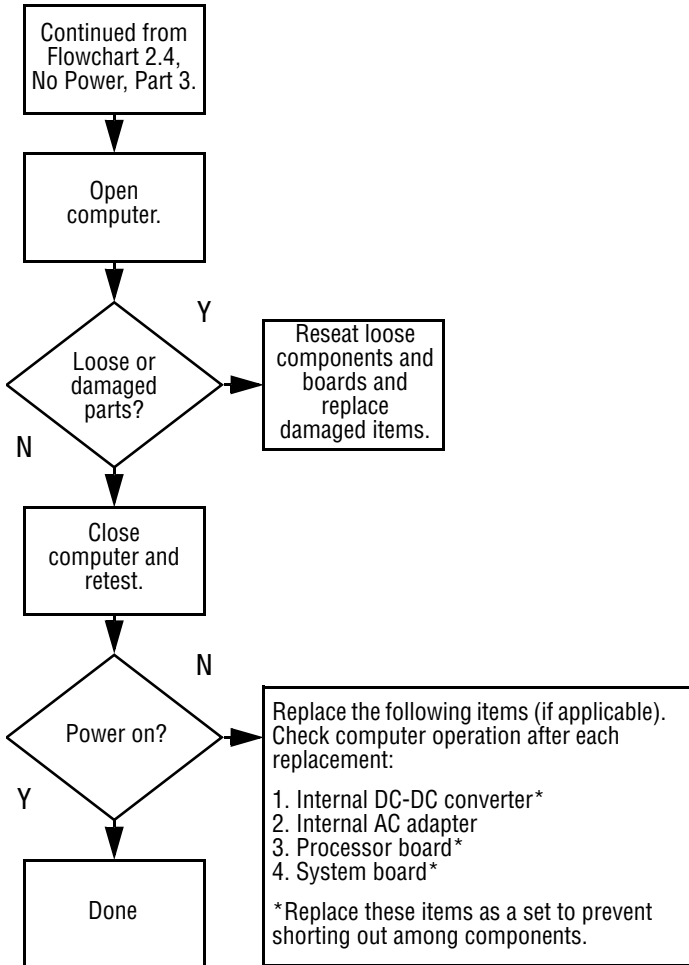
**Flowchart 2.3 - No Power, Part 2**



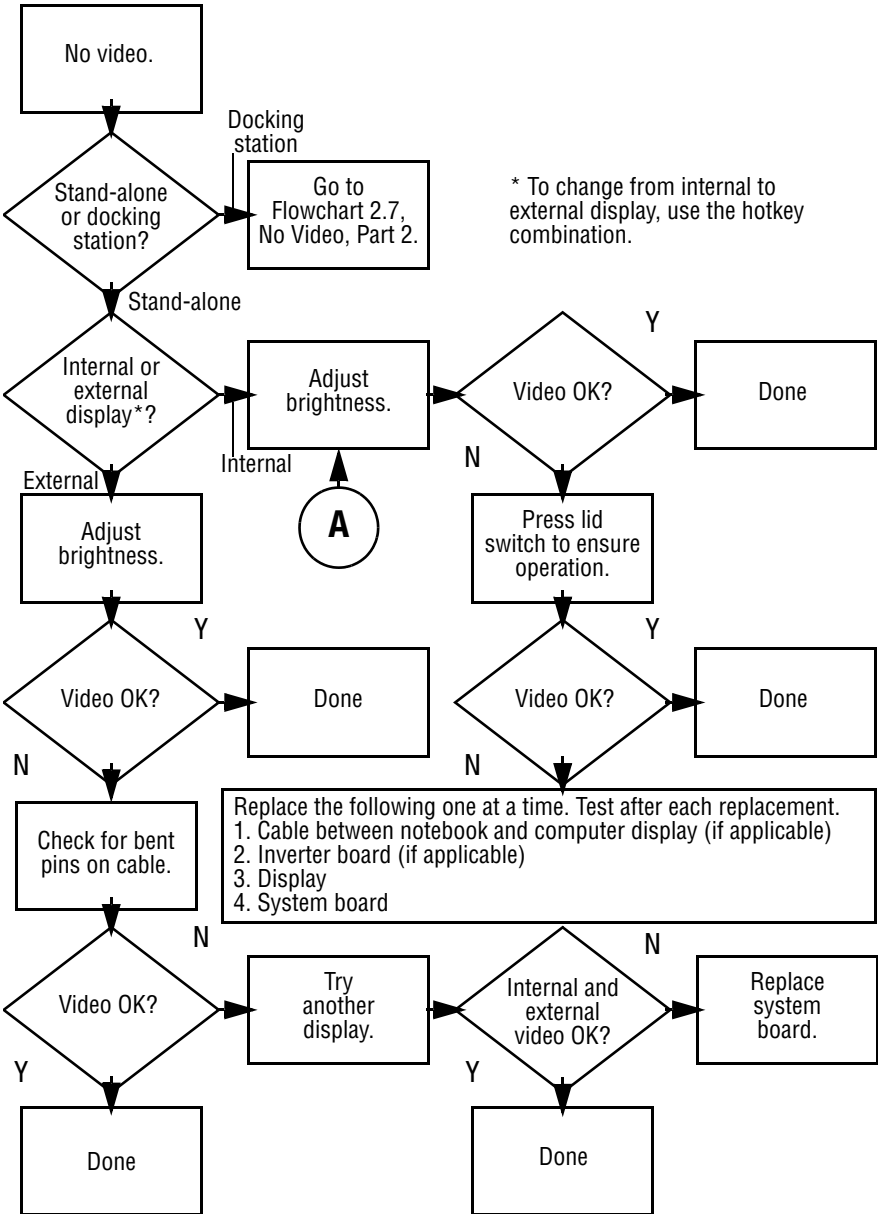
### Flowchart 2.4 - No Power, Part 3



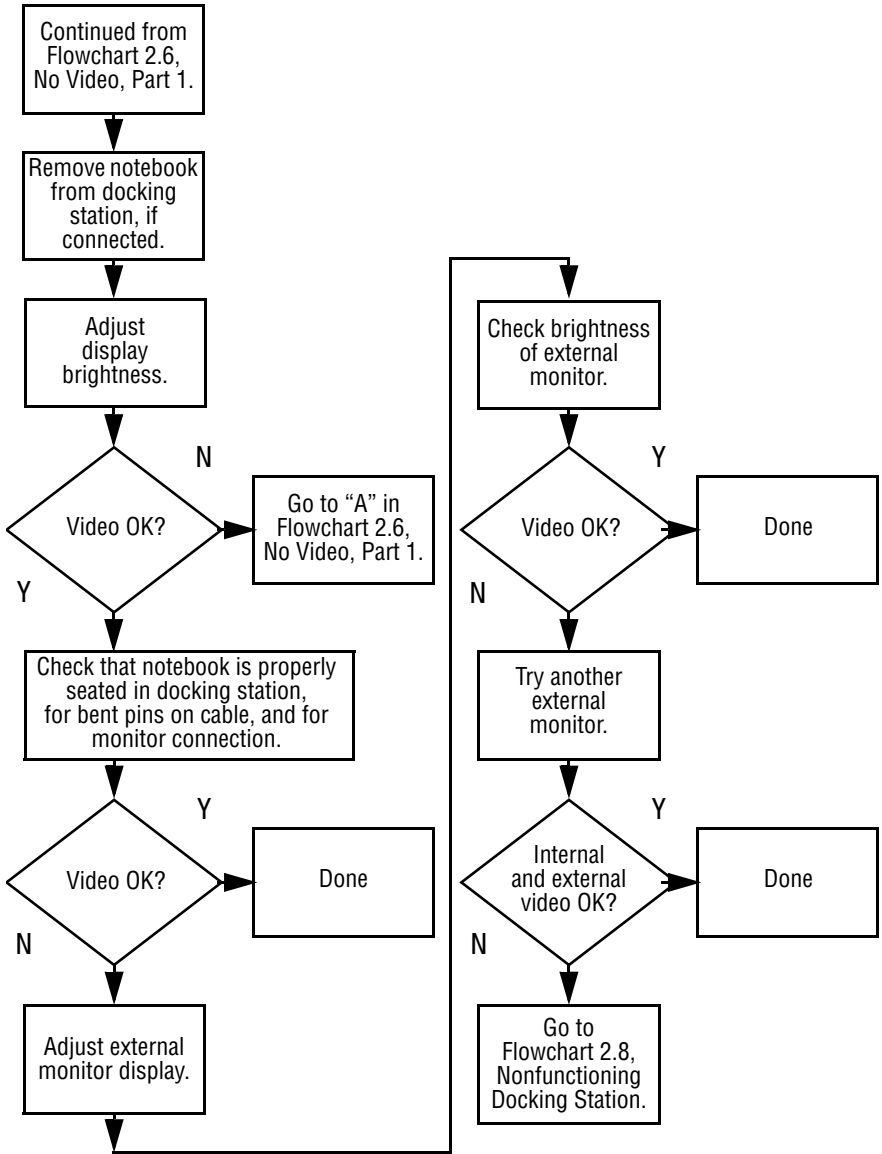
### Flowchart 2.5 - No Power, Part 4



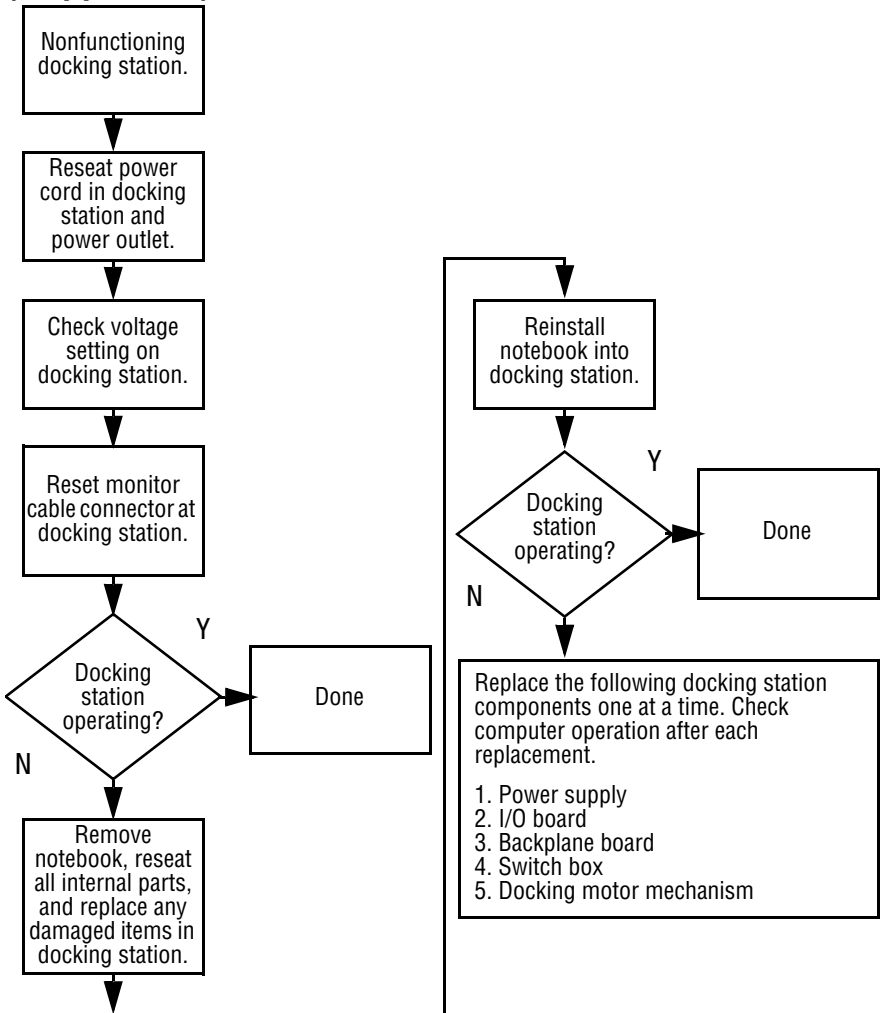
### Flowchart 2.6 - No Video, Part 1



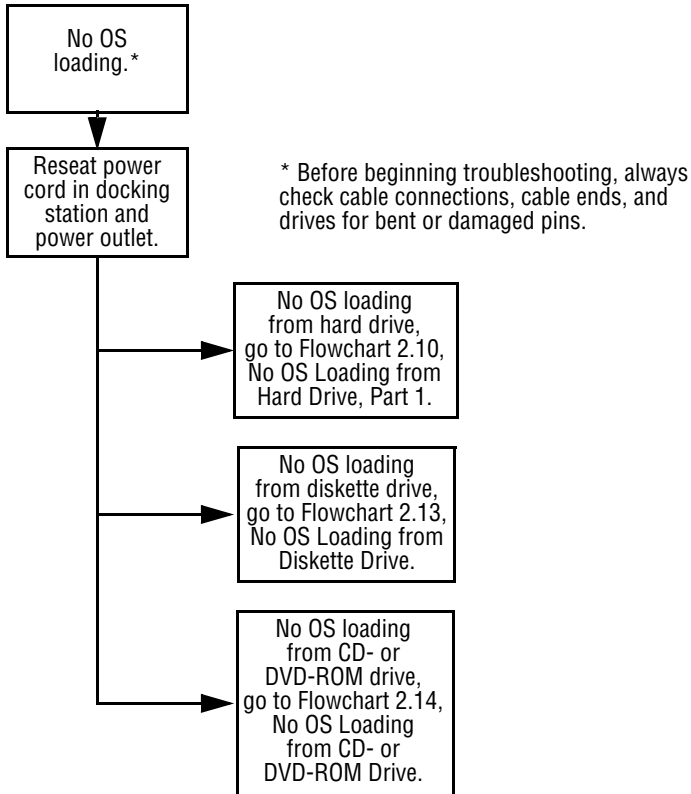
### Flowchart 2.7 - No Video, Part 2



### Flowchart 2.8 - Nonfunctioning Docking Station (if applicable)

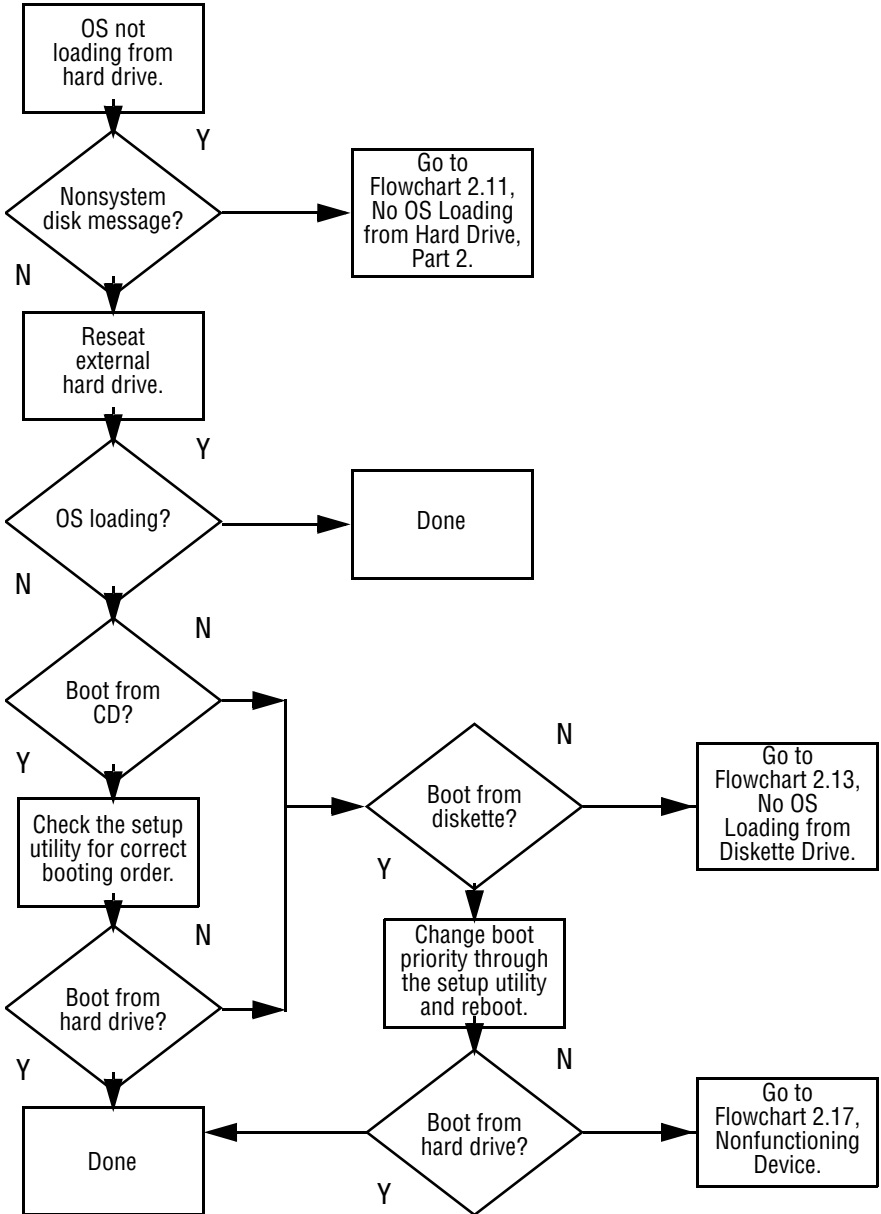


## Flowchart 2.9 - No Operating System (OS) Loading

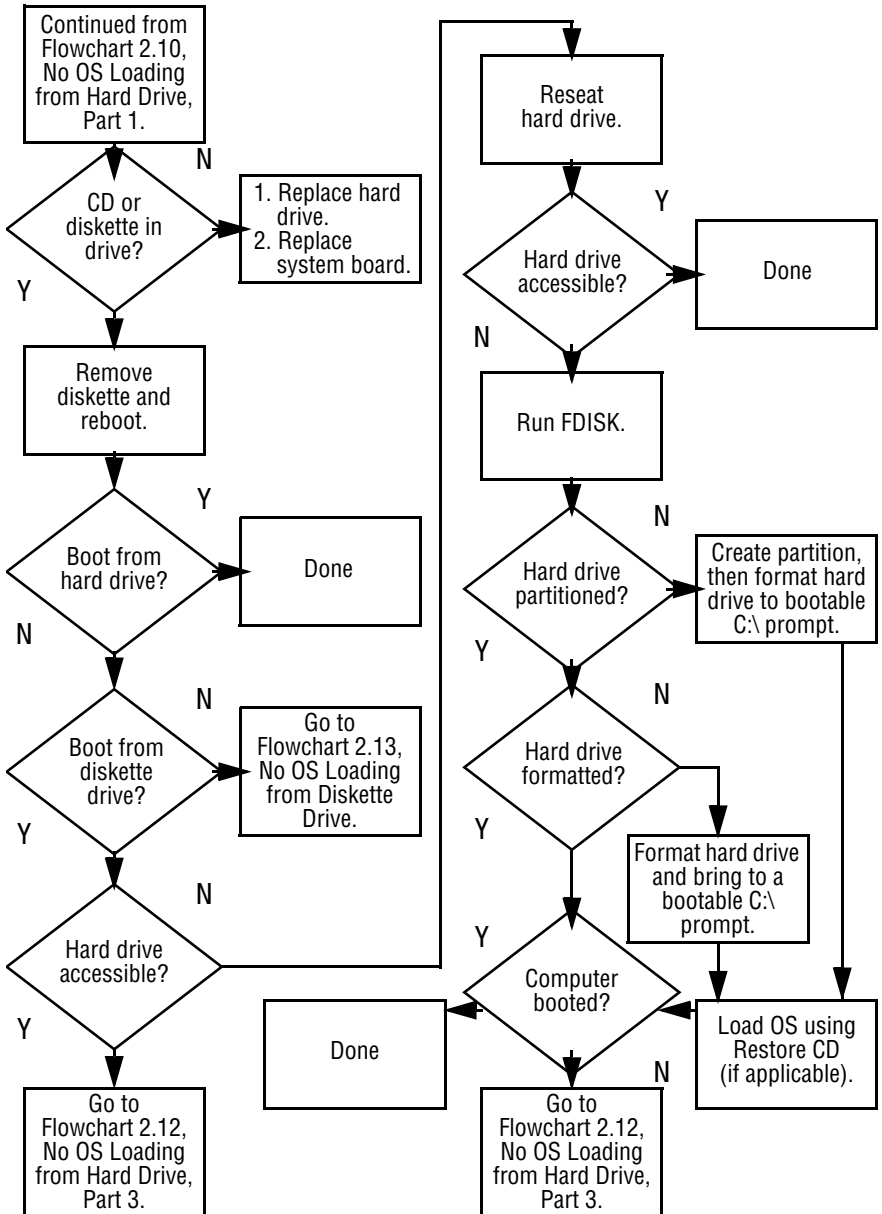




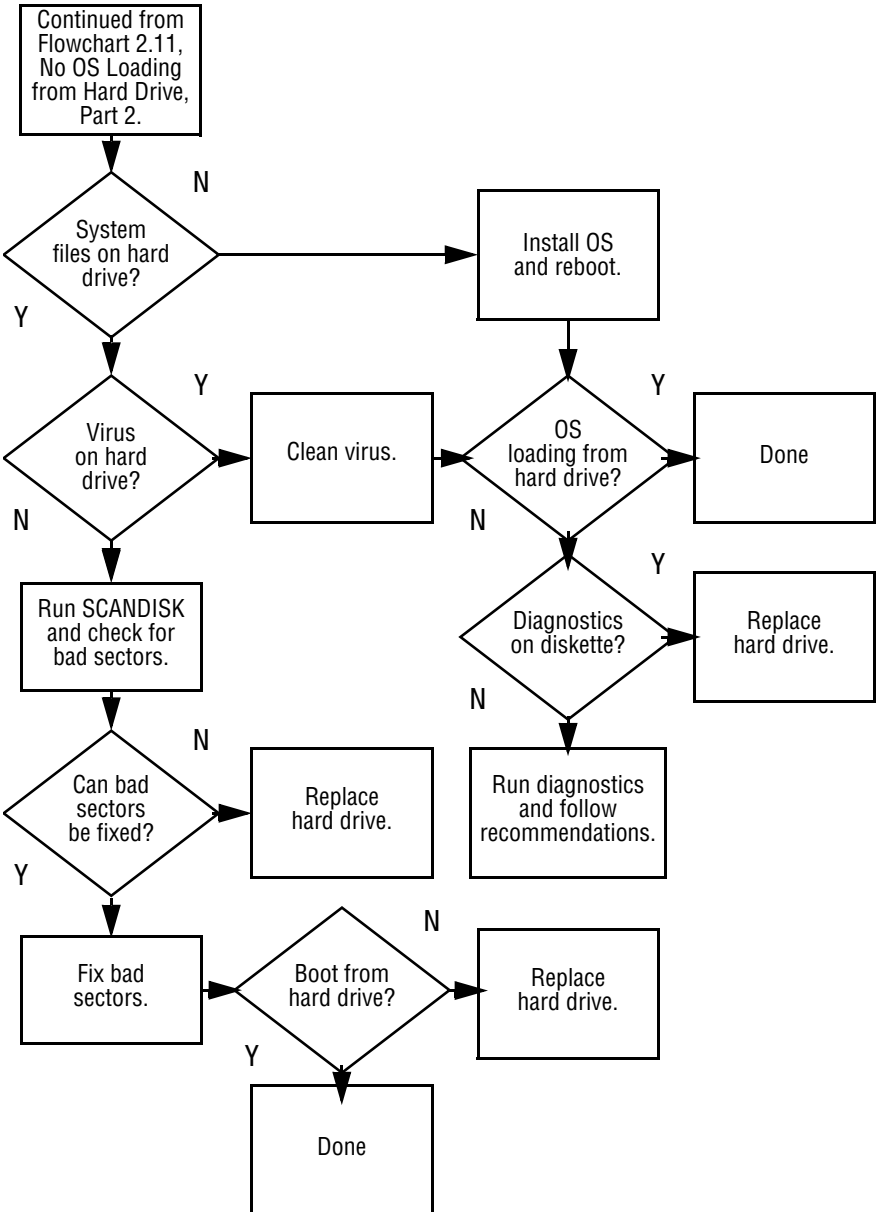
**Flowchart 2.10 - No OS Loading from Hard Drive, Part 1**



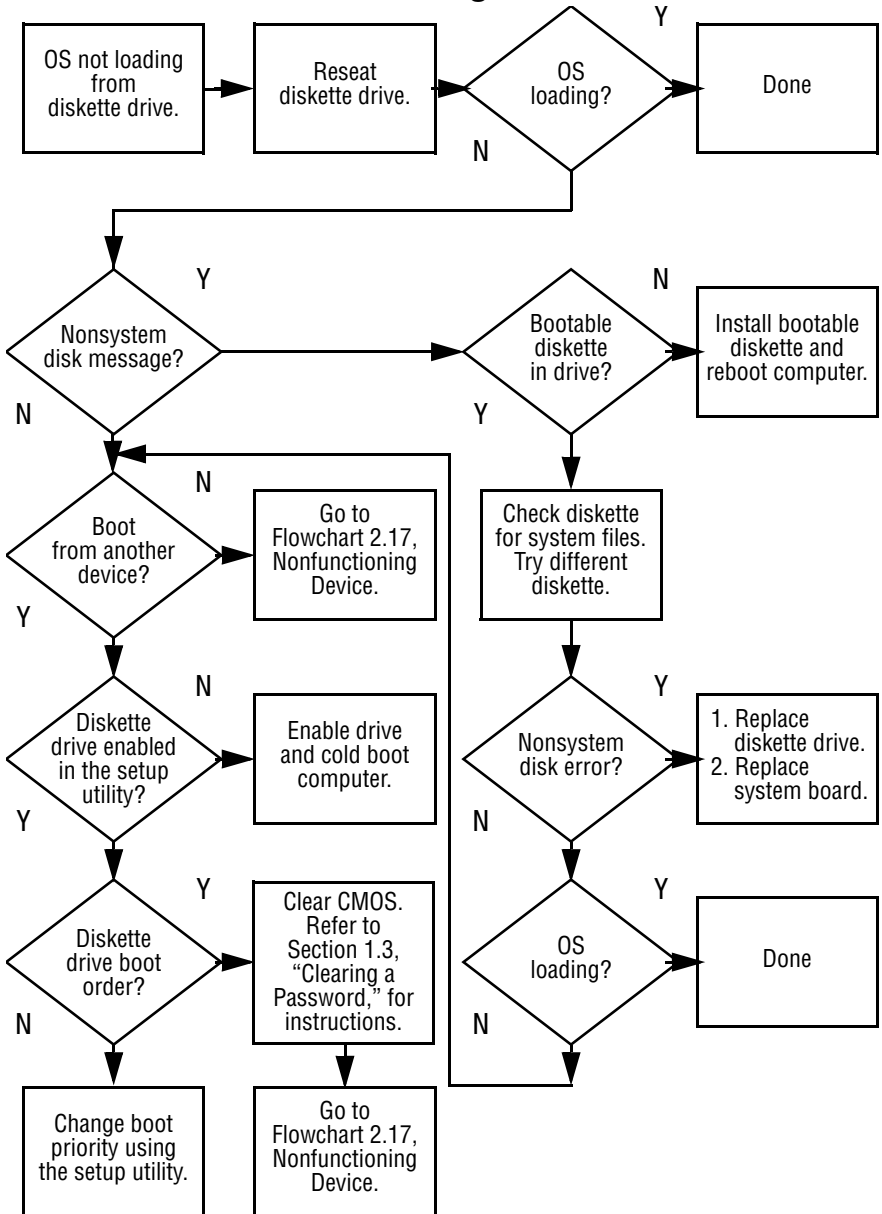
**Flowchart 2.11 - No OS Loading from Hard Drive, Part 2**



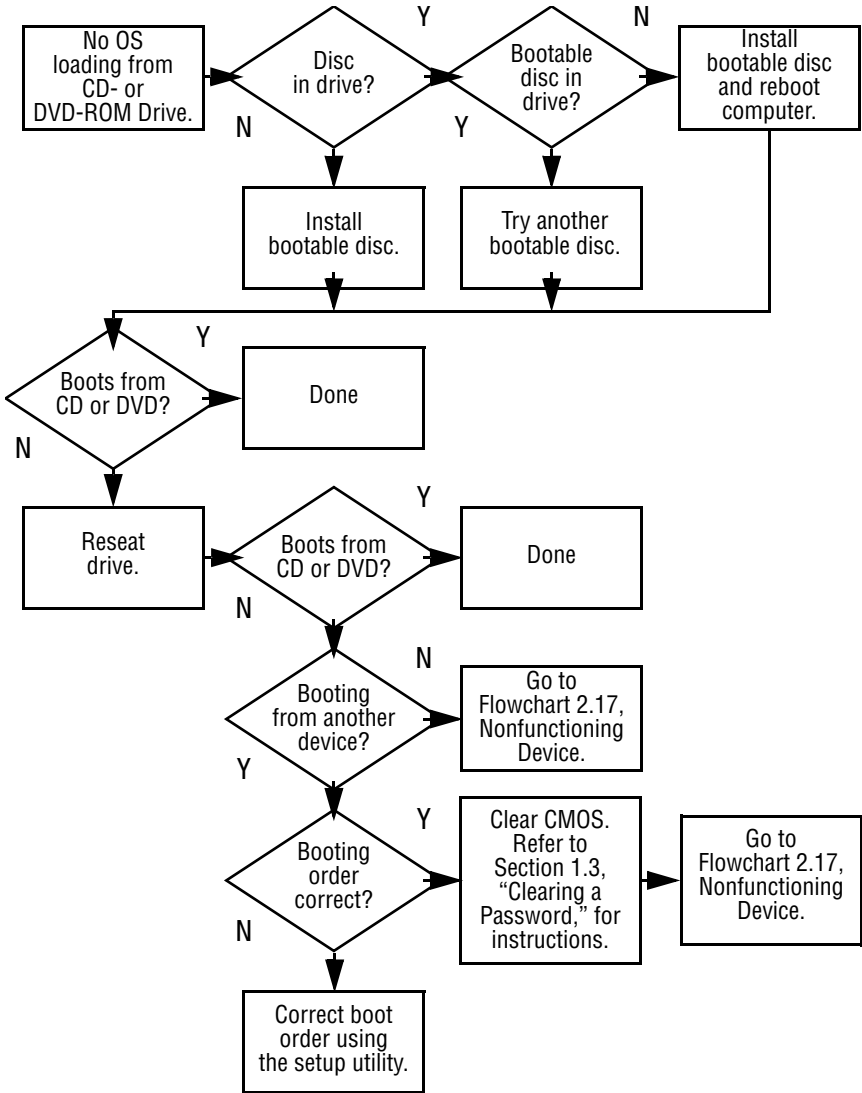
### Flowchart 2.12 - No OS Loading from Hard Drive, Part 3



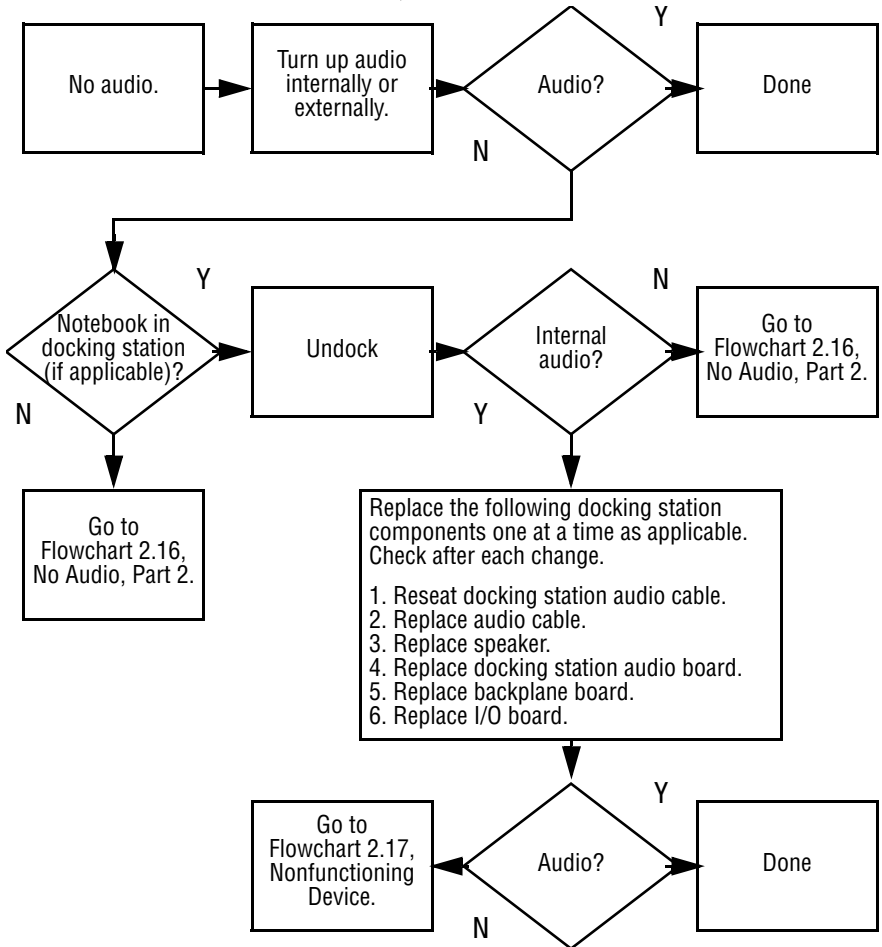
**Flowchart 2.13 - No OS Loading from Diskette Drive**



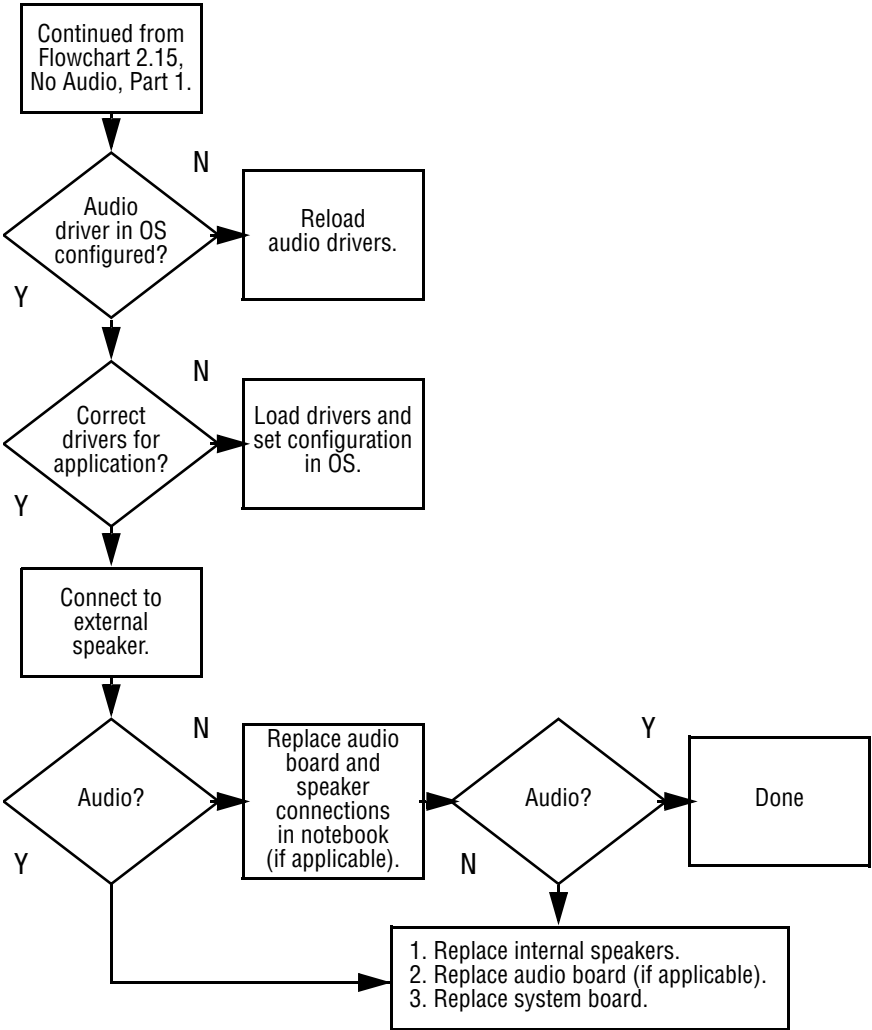
**Flowchart 2.14 - No OS Loading from CD- or DVD-ROM Drive**



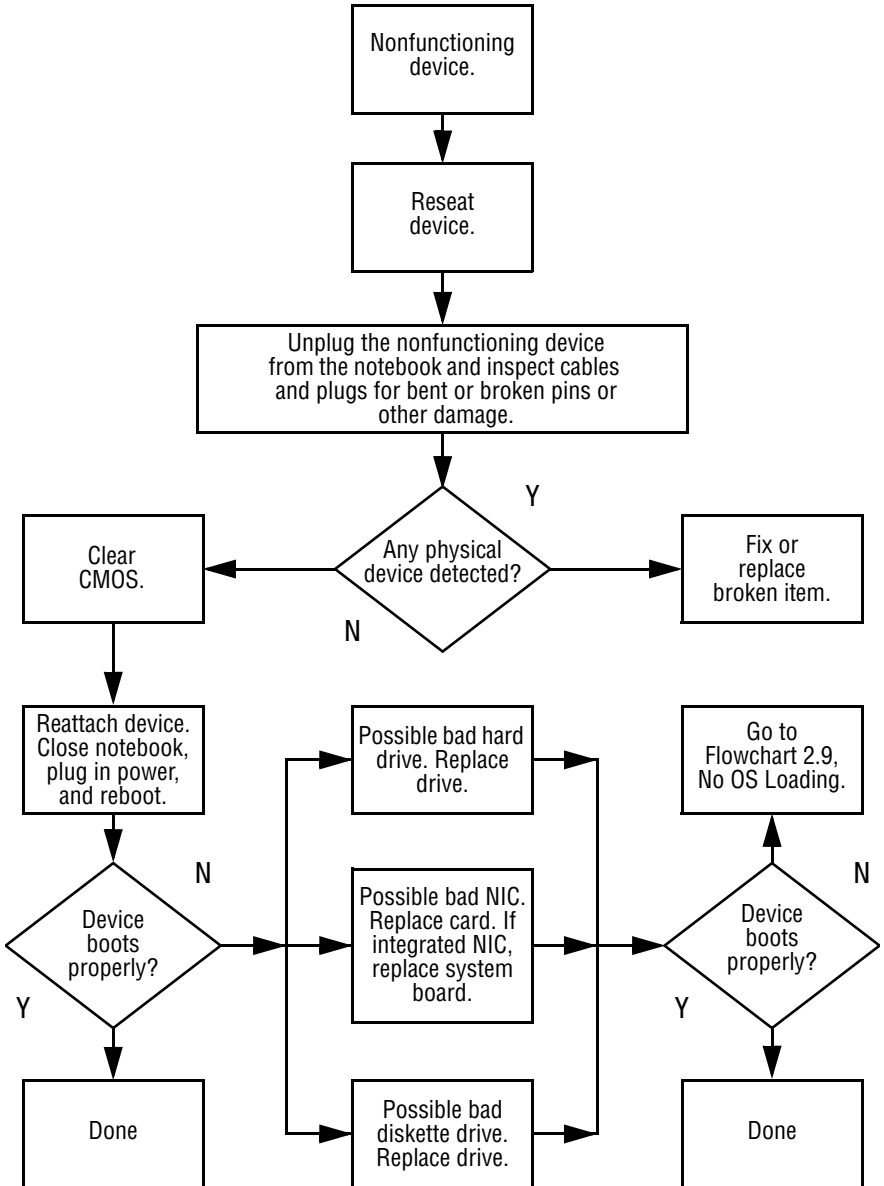
**Flowchart 2.15 - No Audio, Part 1**



### Flowchart 2.16 - No Audio, Part 2

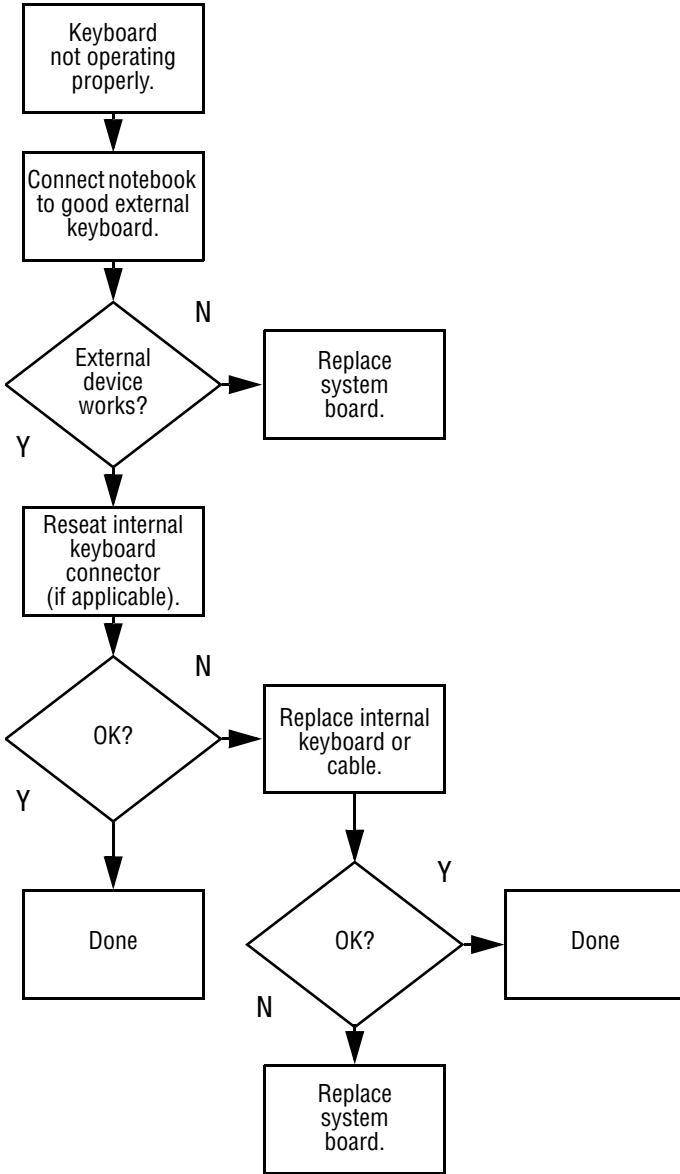


**Flowchart 2.17 - Nonfunctioning Device**

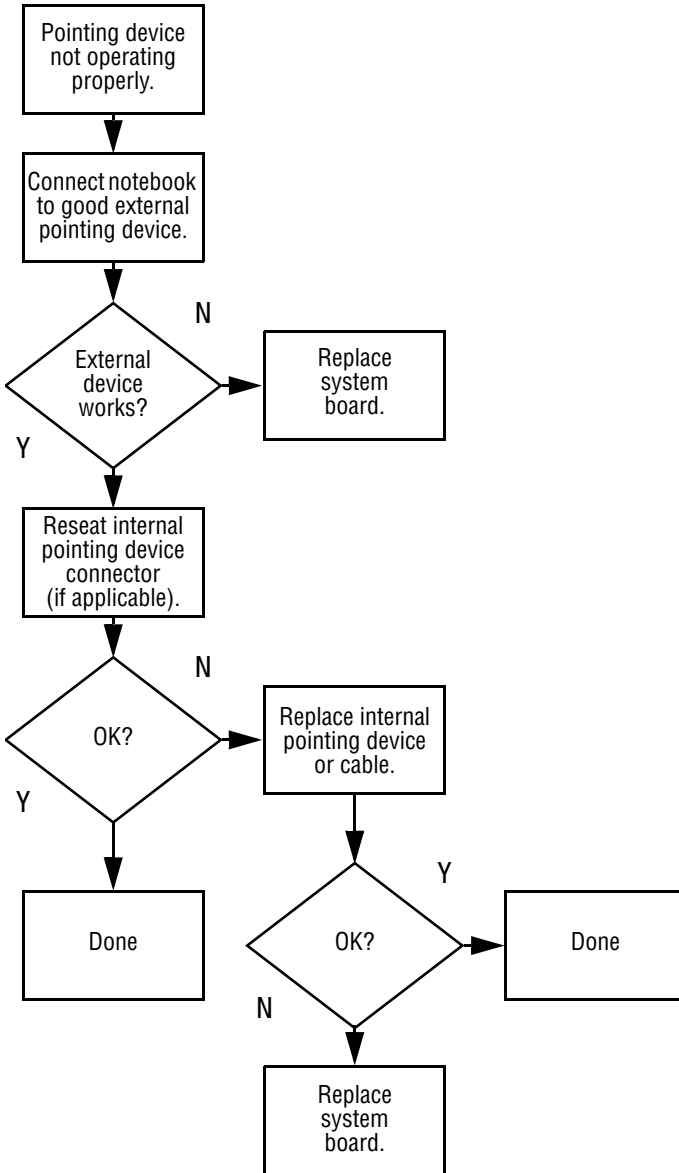




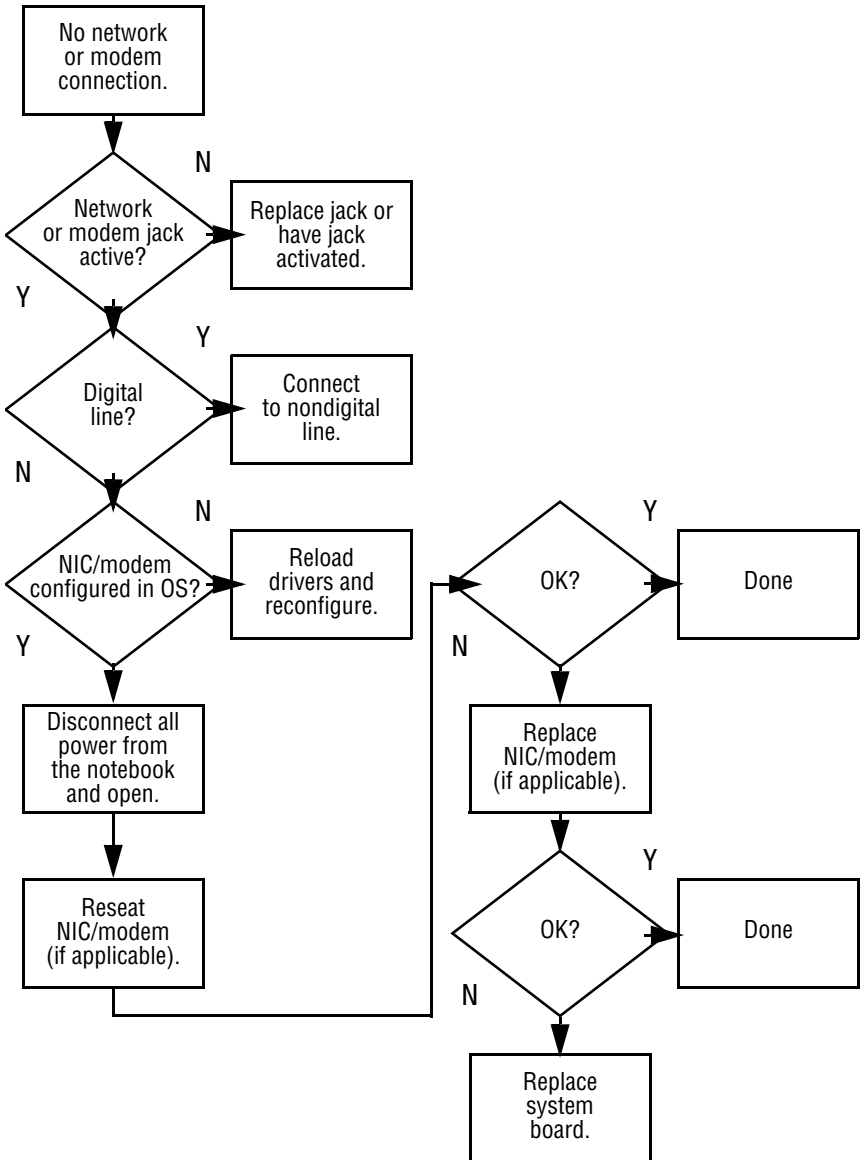
**Flowchart 2.18 - Nonfunctioning Keyboard**



**Flowchart 2.19 - Nonfunctioning Pointing Device**



### Flowchart 2.20 - No Network or Modem Connection



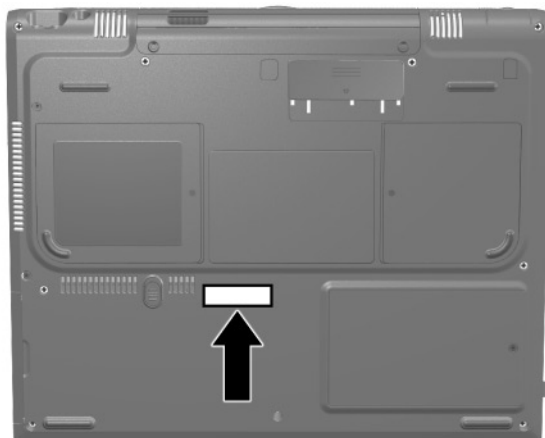
---

## Illustrated Parts Catalog

This chapter provides an illustrated parts breakdown and a reference for spare part numbers and option part numbers.

### 3.1 Serial Number Location

When ordering parts or requesting information, provide the computer serial number and model number located on the bottom of the computer (Figure 3-1).



**Figure 3-1. Serial Number Location**

## 3.2 Computer System Major Components

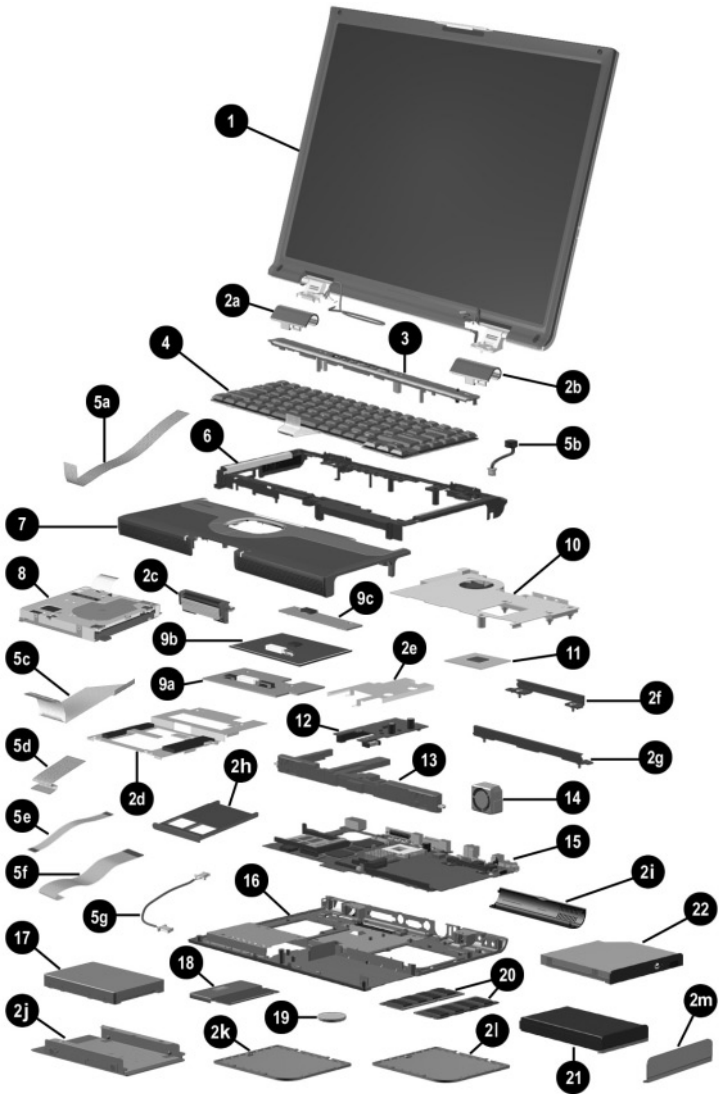
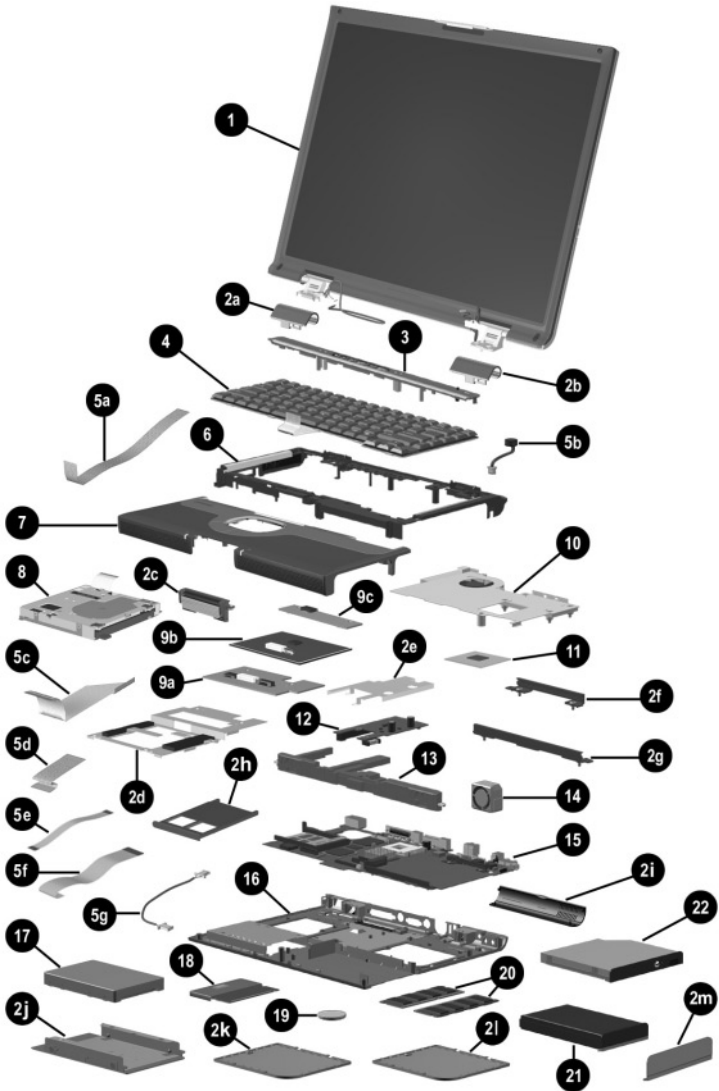


Figure 3-2. Computer System Major Components

**Table 3-1**  
**Spare Parts: Computer System Major Components**

<b>Item</b>	<b>Description</b>	<b>Spare Part Number</b>
1	<b>Displays</b>	
	Parts have carbon finish for use with Evo Notebook N1020v models	
	15.0-inch, TFT, SXGA+	311288-001
	15.0-inch, TFT, XGA	310689-001
	14.1-inch, XGA	311286-001
	Parts have carbon finish for use with Evo Notebook N1000v models	
	15.0-inch, TFT, SXGA+	291643-001
	15.0-inch, TFT, XGA	291642-001
	14.1-inch, XGA	291641-001
	Parts have silver finish for use with Presario 1500 models with config. codes beginning with "L"	
	15-inch, TFT, SXGA+	311287-001
	15-inch, TFT, XGA	310688-001
	14-inch, TFT, XGA	310687-001
	Parts have silver finish for use with Presario 1500 models with config. codes beginning with "K"	
	15-inch, TFT, SXGA+	286754-001
	15-inch, TFT, XGA	285521-001
	14-inch, TFT, XGA	285520-001
	Display inverter board (not illustrated)	293348-001



**Figure 3-2. Computer System Major Components**

**Table 3-1**  
**Spare Parts: Computer System Major Components (Continued)**

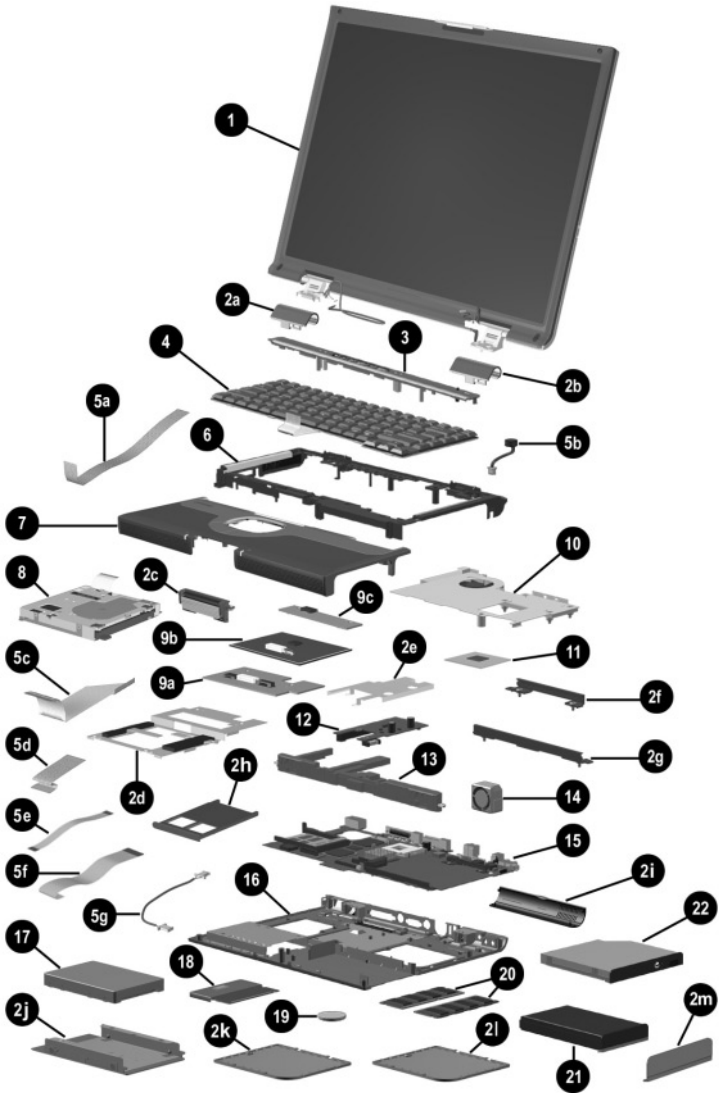
Item	Description	Spare Part Number
	<b>Miscellaneous Plastics/Hardware Kit, includes:</b>	285541-001
2a	Left hinge cover	
2b	Right hinge cover	
2c	*Display assembly release	
2d	TouchPad bracket	
2e	Charger board shield	
2f	Optical drive rear alignment rail	
2g	Optical drive front alignment rail	
2h	PC Card space saver	
2i	*Connector cover	
2j	*Hard drive bracket	
2k	*Mini PCI compartment cover	
2l	*Memory expansion compartment cover	
2m	*Battery bezel	
	*Includes two of each part, one with carbon finish for use with Evo Notebook N1020v and N1000v models and one with silver finish for use with Presario 1500 models	
	Not illustrated: Computer feet	
<b>3</b>	<b>LED covers</b>	
	for use only with Evo Notebook N1020v models and Presario 1500 models with config. codes beginning with "L"	310695-001
	for use only with Evo Notebook N1000v models and Presario 1500 models with config. codes beginning with "K"	295736-001





**Table 3-1**  
**Spare Parts: Computer System Major Components (Continued)**

<b>Item</b>	<b>Description</b>	<b>Spare Part Number</b>
4	<b>Keyboards</b> (for use only with TouchPad notebook models)	
	Arabic	285530-171 Korean 285530-AD1
	Belgian	285530-181 Latin American
	Brazilian	285530-201 Spanish 285530-161
	Chinese	285530-AA1 Norwegian 285530-091
	Czech	285530-221 Portuguese 285530-131
	Danish	285530-081 Russian 285530-251
	French	285530-051 Slovakian 285530-231
	French Canadian	285530-121 Spanish 285530-071
	German	285530-041 Swedish 285530-101
	German	285530-041 Swiss 285530-111
	Hebrew	285530-BB1 Taiwanese 285530-AB1
	Hungarian	285530-211 Thai 285530-281
	International	285530-002 Turkish 285530-141
	Italian	285530-061 U.K. English 285530-031
	Japanese	285530-291 U.S. English 285530-001
	<b>Keyboards with pointing stick</b> (for use only with Dual Stick notebook models)	
	Arabic	285531-171 Latin American
	Belgian	285531-181 Spanish 285531-161
	Brazilian	285531-201 Norwegian 285531-091
	Czech	285531-221 Portuguese 285531-131
	Danish	285531-081 Russian 285531-251
	French	285531-051 Slovakian 285531-231
	French	Spanish 285531-071
	French Canadian	285531-121 Swedish 285531-101
	German	285531-041 Swiss 285531-111
	Hebrew	285531-BB1 Taiwanese 285531-AB1
	Hungarian	285531-211 Thai 285531-281
	International	285531-002 Turkish 285531-141
	Italian	285531-061 U.K. English 285531-031
	Japanese	285531-291 U.S. English 285531-001
	Korean	285531-AD1



**Figure 3-2. Computer System Major Components**

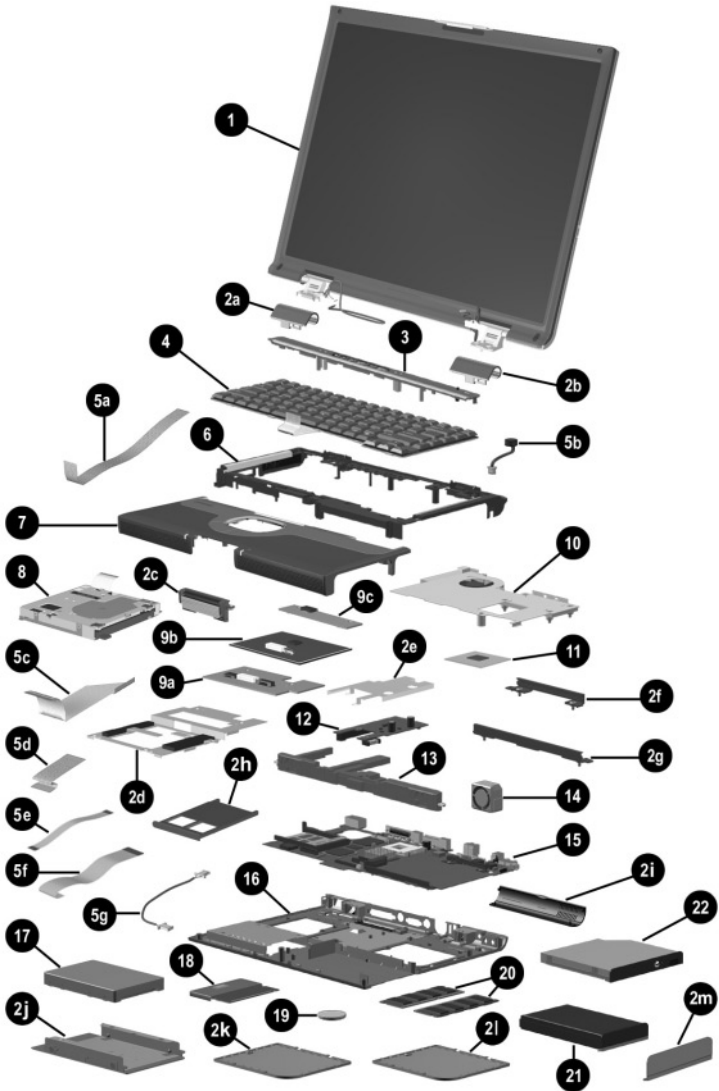
**Table 3-1**  
**Spare Parts: Computer System Major Components (Continued)**

<b>Item</b>	<b>Description</b>	<b>Spare Part Number</b>
	<b>Miscellaneous Cable Kit, includes:</b>	285540-001
5a	Keyboard-to-TouchButton board cable (for use only with Dual Stick notebook models)	
5b	Microphone	
5c	Diskette drive cable	
5d	Pointing stick-to-TouchButton board cable (for use only with Dual Stick notebook models)	
5e	TouchButton board-to-TouchPad cable	
5f	System board-to-TouchButton board cable	
5g	Modem cable	
<b>6</b>	<b>Top cover</b>	285535-001
<b>7</b>	<b>Palm rests</b>	
	Parts have carbon finish for use with Evo Notebook N1020v models	
	for use only with TouchPad notebook models	311293-001
	for use only with Dual Stick notebook models	311294-001
	Parts have carbon finish for use with Evo Notebook N1000v models	
	for use only with TouchPad notebook models	291645-001
	for use only with Dual Stick notebook models	291646-001
	Parts have silver finish for use with Presario 1500 models with config. codes beginning with "L"	
	for use only with models with a diskette drive	310692-001
	for use only with models without a diskette drive	310693-001
	Parts have silver finish for use with Presario 1500 models with config. codes beginning with "K"	
	for use only with models with a diskette drive	285533-001
	for use only with models without a diskette drive	285534-001



**Table 3-1**  
**Spare Parts: Computer System Major Components (Continued)**

Item	Description	Spare Part Number
8	<b>Diskette drives</b>	
	for use only with TouchPad notebook models	285539-001
	for use only with Dual Stick notebook models	291647-001
	<p><b>TouchPad</b>—The TouchPad components for TouchPad notebook models consist of the TouchPad, TouchPad bracket, and TouchButton board. These components are different than the corresponding components for the Dual Stick notebook models. The TouchPad components for Dual Stick notebook models consist of the TouchPad, TouchPad bracket, TouchButton board, and the pointing stick board.</p> <p>All TouchPad components are included with the appropriate palm rest for each notebook model. Refer to item 7, "Palm rests," for more information.</p> <p>All TouchPad component cables are included in the Miscellaneous Cable Kit. Refer to item 5, "Miscellaneous Cable Kit," for more information.</p>	
9a	TouchPad without pointing stick cable connector (for use only on TouchPad notebook models)	
	TouchPad with pointing stick connector (for use only on Dual Stick notebook models)	
9b	TouchButton board without pointing stick cable connector (for use only on TouchPad notebook models)	
	TouchButton board with pointing stick cable connector (for use only on Dual Stick notebook models)	
9c	Pointing stick board (for use only on Dual Stick notebook models)	
10	<b>Heat spreaders</b>	
	For use only on Evo Notebook N1020v and N1000v models	291648-001
	For use only on Presario 1500 models	285544-001



**Figure 3-2. Computer System Major Components**

**Table 3-1**  
**Spare Parts: Computer System Major Components (Continued)**

<b>Item</b>	<b>Description</b>	<b>Spare Part Number</b>
11	<b>Processors</b>	
	Intel Mobile Pentium 4 2.4-GHz processor with SpeedStep technology (P4-M) 1.5 V	310306-001
	Intel Mobile Pentium 4 2.2-GHz processor with SpeedStep technology (P4-M)	286753-001
	Intel Mobile Pentium 4 2.0-GHz processor with SpeedStep technology 1.3 V	311385-001
	Intel Mobile Pentium 4 2.0-GHz processor with SpeedStep technology (P4-M)	286752-001
	Intel Mobile Pentium 4 1.9-GHz processor with SpeedStep technology 1.5 V	312536-001
	Intel Mobile Pentium 4 1.8-GHz processor with SpeedStep technology 1.5 V	311284-001
	Intel Mobile Pentium 4 1.8-GHz processor with SpeedStep technology (P4-M)	286751-001
	Intel Mobile Pentium 4 1.7-GHz processor with SpeedStep technology 1.75 V	311283-001
	Intel Mobile Pentium 4 1.7-GHz processor with SpeedStep technology (P4-M)	285519-001
	Intel Mobile Pentium 4 1.6-GHz processor with SpeedStep technology (P4-M)	285518-001
	Intel Mobile Pentium 4 1.5-GHz processor with SpeedStep technology (P4-M)	285517-001
	Intel Mobile Pentium 4 1.6-GHz processor (P4-C)	303725-001
	Intel Mobile Pentium 4 1.5-GHz processor (P4-C)	303724-001
	Intel Celeron 1.6-GHz processor 1.3 V	311625-001
	Intel Celeron 1.5-GHz processor 1.3 V	301643-001
	Intel Celeron 1.4-GHz processor 1.3 V	303528-001
12	<b>Charger board</b>	285525-001
13	<b>Speaker assembly</b>	285538-001
14	<b>Fan</b>	285543-001



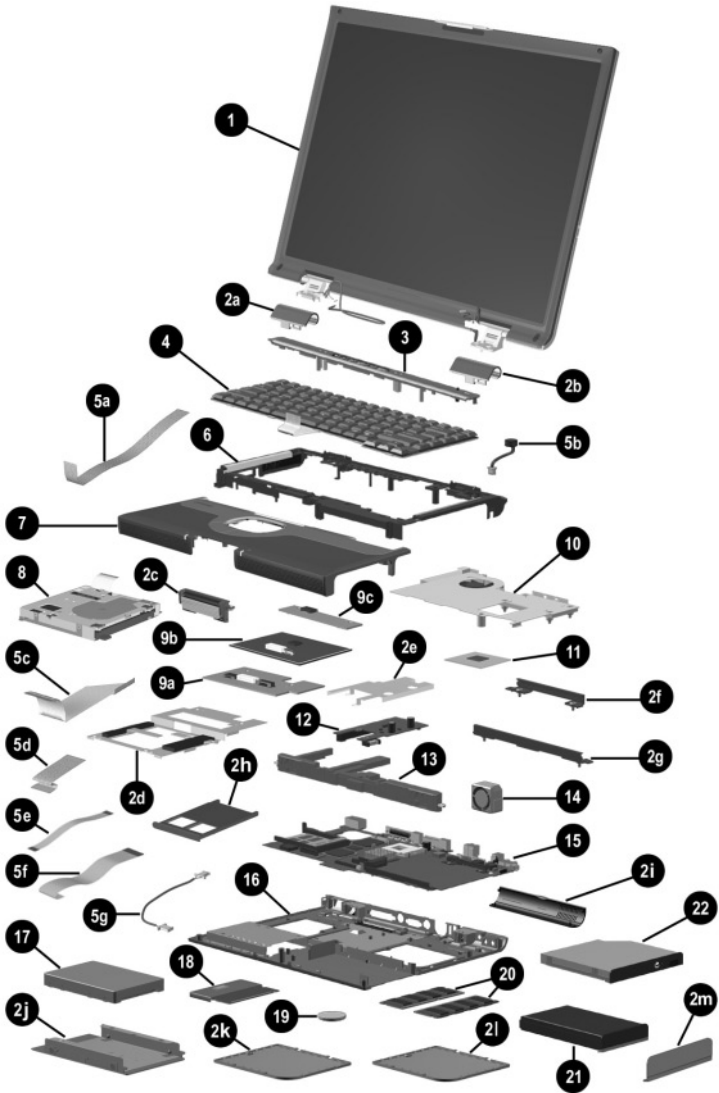


Figure 3-2. Computer System Major Components

**Table 3-1**  
**Spare Parts: Computer System Major Components (Continued)**

<b>Item</b>	<b>Description</b>	<b>Spare Part Number</b>
15	System boards (do not contain memory)	
	for use only with Evo Notebook N1020v models and Presario 1500 models with config. codes beginning with "L"	311282-001
	for use only with Evo Notebook N1000v models and Presario 1500 models with config. codes beginning with "K"	285515-001
16	<b>Base enclosures</b> (includes shields)	
	Parts have carbon finish for use with Evo Notebook N1020v models	311292-001
	Parts have carbon finish for use with Evo Notebook N1000v models	291644-001
	Parts have silver finish for use with Presario 1500 models with config. codes beginning with "L"	311291-001
	Parts have silver finish for use with Presario 1500 models with config. codes beginning with "K"	285532-001
17	<b>Hard drives</b>	
	60 GB	303527-001
	40 GB	273491-001
	30 GB	192406-001
	20 GB	288291-001

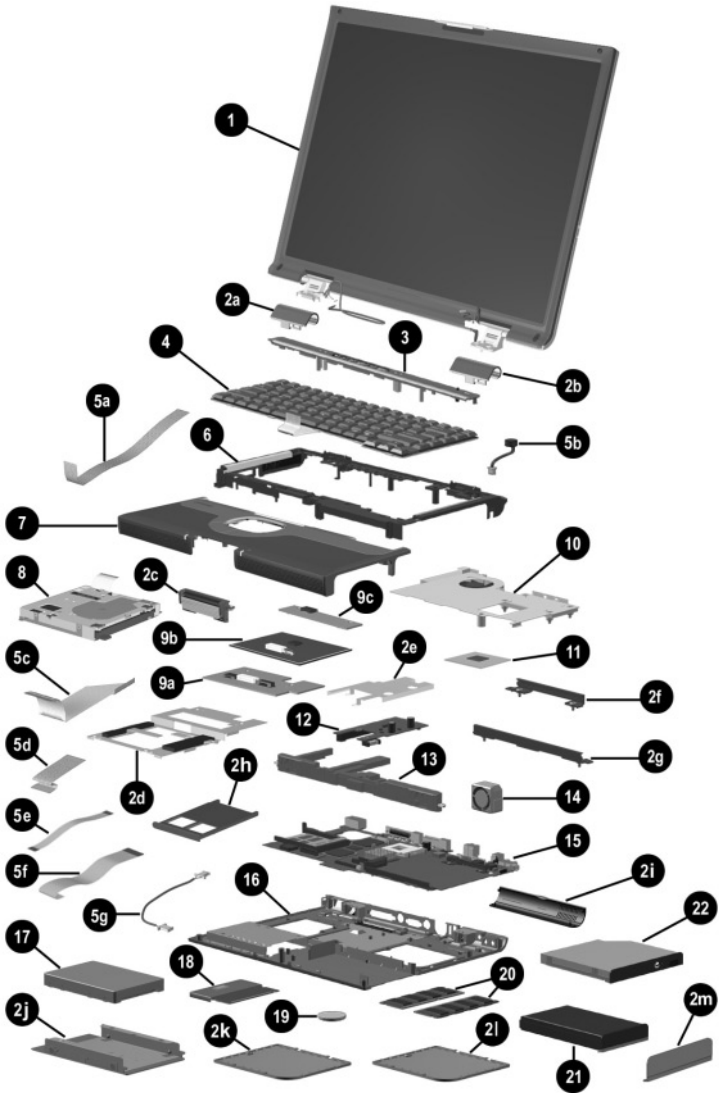
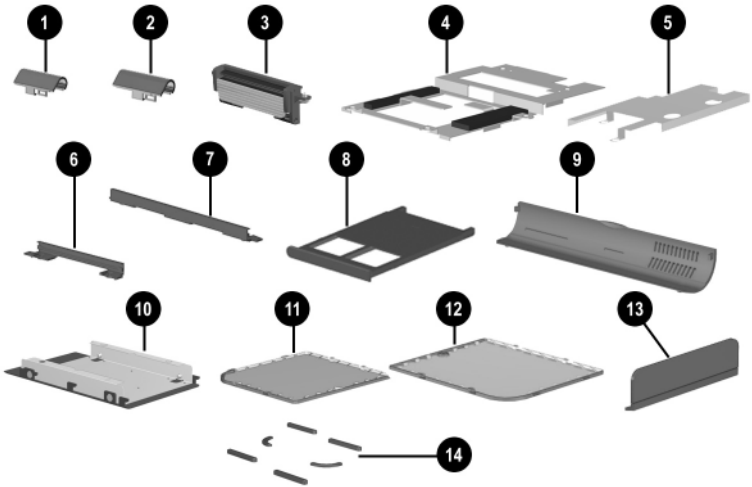


Figure 3-2. Computer System Major Components

**Table 3-1**  
**Spare Parts: Computer System Major Components (Continued)**

<b>Item</b>	<b>Description</b>	<b>Spare Part Number</b>
18	<b>Mini PCI communications boards</b>	
	U.S. modem	248776-001
	International modem	285545-001 and 248777-002
19	<b>Disk cell RTC battery, 3 volt, 36 MAh, Li ion</b>	279769-001
20	<b>Memory expansion boards</b>	
	512 MB	285524-001
	256 MB	285523-001
	128 MB	285522-001
21	<b>Battery packs</b>	
	8 cell, 62 Wh, 4.0 Ah, Li ion	289053-001
	8 cell, 58 Wh, 3.6 Ah, Li ion	281766-001
22	<b>Optical drives</b>	
	for use only with Evo Notebook N1020v models and Presario 1500 models with config. codes beginning with "L"	
	24X Max CD-ROM drive	312537-001
	8X Max DVD-ROM drive	311289-001
	24X Max DVD-ROM/CD-RW combination drive	311290-001
	8X Max DVD-ROM/CD-RW combination drive	311627-001
	for use only with Evo Notebook N1000v models and Presario 1500 models with config. codes beginning with "K"	
	24X Max CD-ROM drive	285526-001
	8X Max DVD-ROM drive	285527-001
	24X Max DVD-ROM/CD-RW combination drive	304691-001
	8X Max DVD-ROM/CD-RW combination drive	285529-001

### 3.3 Miscellaneous Plastics/Hardware Kit



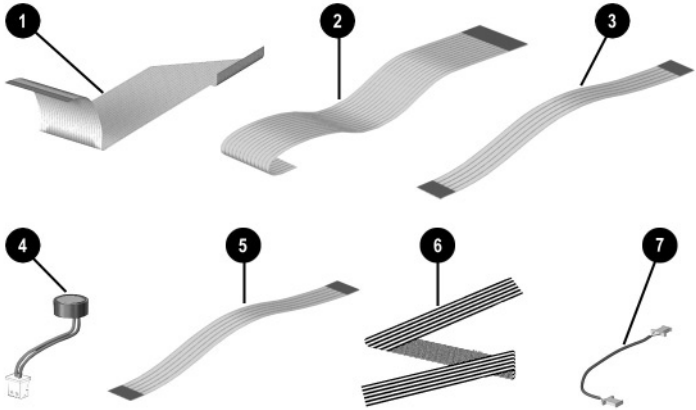
**Figure 3-3. Miscellaneous Plastics/Hardware Kit Components**

**Table 3-2**  
**Miscellaneous Plastics/Hardware Kit Components**  
**Spare Part Number 285541-001**

<b>Item</b>	<b>Description</b>	<b>Item</b>	<b>Description</b>
1	Left hinge cover	8	PC Card space saver
2	Right hinge cover	9	*Connector cover
3	*Display release assembly	10	*Hard drive bracket
4	TouchPad bracket	11	*Mini PCI compartment cover
5	Charger board shield	12	*Memory expansion compartment cover
6	Optical drive rear alignment rail	13	*Battery bezel
7	Optical drive front alignment rail	14	Computer feet

\*Includes two of each part, one with carbon finish for use with Evo Notebook N1020v and N1000v models and one with silver finish for use with Presario 1500 models

### 3.4 Miscellaneous Cable Kit



**Figure 3-4. Miscellaneous Cable Kit Components**

---

**Table 3-3**  
**Miscellaneous Cable Kit Components**  
**Spare Part Number 285540-001**

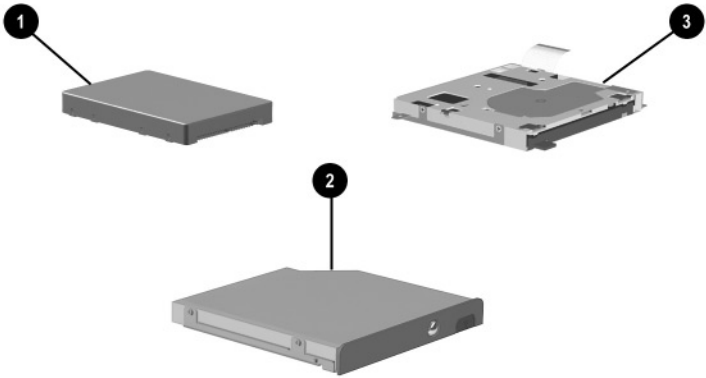
---

<b>Item</b>	<b>Description</b>
1	Diskette drive cable
2	TouchButton board-to-TouchPad cable
3	TouchButton board-to-system board cable
4	Microphone
5	TouchButton board-to-pointing stick board cable (for use only with Dual Stick notebook models)
6	Keyboard-to-TouchPad cable (for use only with Dual Stick notebook models)
7	Modem cable

---



## 3.5 Mass Storage Devices



***Figure 3-5. Mass Storage Devices***

**Table 3-4**  
**Mass Storage Devices**

Item	Description	Spare Part Number
1	<b>Hard drives</b>	
	60 GB	303527-001
	40 GB	273491-001
	30 GB	192406-001
	20 GB	288291-001
2	<b>Diskette drives</b>	
	for use only with TouchPad notebook models	285539-001
	for use only with Dual Stick notebook models	291647-001
3	<b>Optical drives</b>	
	for use only with Evo Notebook N1020v models and Presario 1500 models with config. codes beginning with "L"	
	24X Max CD-ROM drive	312537-001
	8X Max DVD-ROM drive	311289-001
	24X Max DVD-ROM/CD-RW combination drive	311290-001
	8X Max DVD-ROM/CD-RW combination drive	311627-001
	for use only with Evo Notebook N1000v models and Presario 1500 models with config. codes beginning with "K"	
	24X Max CD-ROM drive	285526-001
	8X Max DVD-ROM drive	285527-001
	24X Max DVD-ROM/CD-RW combination drive	304691-001
	8X Max DVD-ROM/CD-RW combination drive	285529-001

## 3.6 Miscellaneous

**Table 3-5**  
**Spare Parts: Miscellaneous (not illustrated)**

Description	Spare Part Number
<b>Logo Kit</b>	285547-001
<b>Screw Kit</b> , includes the following screws (Refer to Appendix C, "Screw Listing," for more information on screw specifications and usage.)	285542-001
<ul style="list-style-type: none"> <li>■ Torx T8 Metric 2.5 × 5.0</li> <li>■ Torx T8 Metric 2.5 × 8.0</li> <li>■ Torx T8 Metric 2.5 × 9.0</li> <li>■ Torx T8 Metric 2.5 × 14.0 shoulder screw</li> </ul>	<ul style="list-style-type: none"> <li>■ Phillips Metric 3.0 × 3.0</li> <li>■ Phillips Metric 2.5 × 4.0</li> <li>■ Phillips Metric 2.0 × 4.5</li> </ul>
<b>Common Port Replicator</b>	316193-001
<b>Advanced Port Replicator</b>	288502-001
<b>AC adapter (90 W, 3 wire, slim line)</b>	286755-001
<b>Power cords, 3 wire</b>	
Australian	170513-011
Danish	170513-081
International	170513-002
Italian	170513-061
Japan	170513-291
Korea	170513-AD1
People's Republic of China	170513-AA1
Swiss	170513-115
U.K. English	170513-031
U.S. English	170513-001

---

## Removal and Replacement Preliminaries

This chapter provides essential information for proper and safe removal and replacement service.

### 4.1 Tools Required

You will need the following tools to complete the removal and replacement procedures:

- Magnetic screwdriver
- Phillips P0 screwdriver
- Torx T8 screwdriver
- Tool kit (includes connector removal tool, loopback plugs, and case utility tool)

## 4.2 Service Considerations

The following sections include some of the considerations that you should keep in mind during disassembly and assembly procedures.



---

As you remove each subassembly from the computer, place the subassembly (and all accompanying screws) away from the work area to prevent damage.

---

### Plastic Parts

Using excessive force during disassembly and reassembly can damage plastic parts. Use care when handling the plastic parts. Apply pressure only at the points designated in the maintenance instructions.

### Cables and Connectors

Cables must be handled with extreme care to avoid damage. Apply only the tension required to unseat or seat the cables during removal and insertion. Handle cables by the connector whenever possible. In all cases, avoid bending, twisting, or tearing cables. Ensure that cables are routed in such a way that they cannot be caught or snagged by parts being removed or replaced. Handle flex cables with extreme care; these cables tear easily.



---

**CAUTION:** When servicing the computer, ensure that cables are placed in their proper locations during the reassembly process. Improper cable placement can damage the computer.

---

## 4.3 Preventing Damage to Removable Drives

Removable drives are fragile components that must be handled with care. To prevent damage to the computer, damage to a removable drive, or loss of information, observe the following precautions:

- Before removing or inserting a hard drive, shut down the computer. If you are unsure whether the computer is off or in Hibernation, turn the computer on, then shut it down.
- Before removing a diskette drive or optical drive, ensure that a diskette or disc is not in the drive. Ensure that the optical drive tray is closed.
- Before handling a drive, ensure that you are discharged of static electricity. While handling a drive, avoid touching the connector.
- Handle drives on surfaces that have at least one inch of shock-proof foam.
- Avoid dropping drives from any height onto any surface.
- After removing a hard drive, CD-ROM drive, or a diskette drive, place it in a static-proof bag.
- Avoid exposing a hard drive to products that have magnetic fields, such as monitors or speakers.
- Avoid exposing a drive to temperature extremes or to liquids.
- If a drive must be mailed, place the drive in a bubble-pack mailer or other suitable form of protective packaging and label the package “Fragile: Handle With Care.”

## 4.4 Preventing Electrostatic Damage

Many electronic components are sensitive to electrostatic discharge (ESD). Circuitry design and structure determine the degree of sensitivity. Networks built into many integrated circuits provide some protection, but in many cases the discharge contains enough power to alter device parameters or melt silicon junctions.

A sudden discharge of static electricity from a finger or other conductor can destroy static-sensitive devices or microcircuitry. Often the spark is neither felt nor heard, but damage occurs.

An electronic device exposed to electrostatic discharge may not be affected at all and can work perfectly throughout a normal cycle. Or the device may function normally for a while, then degrade in the internal layers, reducing its life expectancy.

## 4.5 Packaging and Transporting Precautions

Use the following grounding precautions when packaging and transporting equipment:

- To avoid hand contact, transport products in static-safe containers, such as tubes, bags, or boxes.
- Protect all electrostatic-sensitive parts and assemblies with conductive or approved containers or packaging.
- Keep electrostatic-sensitive parts in their containers until the parts arrive at static-free workstations.
- Place items on a grounded surface before removing items from their containers.
- Always be properly grounded when touching a sensitive component or assembly.

- Store reusable electrostatic-sensitive parts from assemblies in protective packaging or nonconductive foam.
- Use transporters and conveyers made of antistatic belts and roller bushings. Ensure that mechanized equipment used for moving materials is wired to ground and that proper materials are selected to avoid static charging. When grounding is not possible, use an ionizer to dissipate electric charges.

## **4.6 Workstation Precautions**

Use the following grounding precautions at workstations:

- Cover the workstation with approved static-dissipative material (refer to Table 4-2).
- Use a wrist strap connected to a properly grounded work surface and use properly grounded tools and equipment.
- Use conductive field service tools, such as cutters, screwdrivers, and vacuums.
- When using fixtures that must directly contact dissipative surfaces, only use fixtures made of static-safe materials.
- Keep the work area free of nonconductive materials, such as ordinary plastic assembly aids and Styrofoam.
- Handle electrostatic-sensitive components, parts, and assemblies by the case or PCM laminate. Handle these items only at static-free workstations.
- Avoid contact with pins, leads, or circuitry.
- Turn off power and input signals before inserting or removing connectors or test equipment.



## 4.7 Grounding Equipment and Methods

Grounding equipment must include either a wrist strap or a foot strap at a grounded workstation.

- When seated, wear a wrist strap connected to a grounded system. Wrist straps are flexible straps with a minimum of one megohm  $\pm 10\%$  resistance in the ground cords. To provide proper ground, wear a strap snugly against the skin at all times. On grounded mats with banana-plug connectors, connect a wrist strap with alligator clips.
- When standing, use foot straps and a grounded floor mat. Foot straps (heel, toe, or boot straps) can be used at standing workstations and are compatible with most types of shoes or boots. On conductive floors or dissipative floor mats, use foot straps on both feet with a minimum of one-megohm resistance between the operator and ground. To be effective, the conductive strips must be worn in contact with the skin.

Other grounding equipment recommended for use in preventing electrostatic damage includes:

- Antistatic tape
- Antistatic smocks, aprons, and sleeve protectors
- Conductive bins and other assembly or soldering aids
- Nonconductive foam
- Conductive tabletop workstations with ground cords of one-megohm resistance
- Static-dissipative tables or floor mats with hard ties to the ground
- Field service kits
- Static awareness labels
- Material-handling packages

- Nonconductive plastic bags, tubes, or boxes
- Metal tote boxes
- Electrostatic voltage levels and protective materials

Table 4-1 shows how humidity affects the electrostatic voltage levels generated by different activities.

**Table 4-1**  
**Typical Electrostatic Voltage Levels**

Event	Relative Humidity		
	10%	40%	55%
Walking across carpet	35,000 V	15,000 V	7,500 V
Walking across vinyl floor	12,000 V	5,000 V	3,000 V
Motions of bench worker	6,000 V	800 V	400 V
Removing DIPS from plastic tube	2,000 V	700 V	400 V
Removing DIPS from vinyl tray	11,500 V	4,000 V	2,000 V
Removing DIPS from Styrofoam	14,500 V	5,000 V	3,500 V
Removing bubble pack from PCB	26,500 V	20,000 V	7,000 V
Packing PCBs in foam-lined box	21,000 V	11,000 V	5,000 V


 A product can be degraded by as little as 700 V.

Table 4-2 lists the shielding protection provided by antistatic bags and floor mats.

**Table 4-2**  
**Static-Shielding Materials**

Material	Use	Voltage Protection Level
Antistatic plastic	Bags	1,500 V
Carbon-loaded plastic	Floor mats	7,500 V
Metallized laminate	Floor mats	5,000 V

---

## Removal and Replacement Procedures

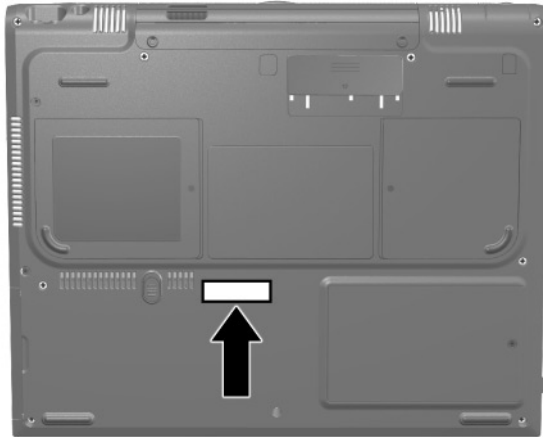
This chapter provides removal and replacement procedures.

There are 57 screws, in seven different sizes, that must be removed and replaced when servicing the computer. Make special note of each screw size and location during removal and replacement.

Refer to Appendix C, “Screw Listing,” for detailed information on screw sizes, locations, and usage.

## 5.1 Serial Number

Report the computer serial number to Compaq when requesting information or ordering spare parts. The serial number is located on the bottom of the computer as indicated in Figure 5-1.



**Figure 5-1. Serial Number Location**

## 5.2 Disassembly Sequence Chart

Use the following chart to determine the section number to be referenced when removing computer components.

**Disassembly Sequence Chart**

<b>Section</b>	<b>Description</b>	<b># of Screws Removed</b>
5.3	Preparing the computer for disassembly	
	Battery pack	0
	Optical drive	2
	Hard drive	1 to remove the hard drive 4 to remove the hard drive from hard drive bracket
5.4	Computer feet	0
5.5	Memory expansion board	1
5.6	Mini PCI communications board	1
5.7	Disk cell RTC battery	0
5.8	Connector cover	2
5.9	LED cover	2
5.10	Keyboard	0
5.11	Heat spreader	7
5.12	Processor	0
5.13	Display	6
5.14	Palm rest	6
5.15	Diskette drive	3

---

**Disassembly Sequence Chart (Continued)**

---

<b>Section</b>	<b>Description</b>	<b># of Screws Removed</b>
5.16	TouchPad and TouchButton	4 on TouchPad models 5 on Dual Stick models
5.17	Display release assembly	2
5.18	Charger board	3
5.19	Speaker assembly	0
5.20	Top cover	5
5.21	Fan	0
5.22	System board	7
5.23	Modem cable	1

---

## **5.3 Preparing the Computer for Disassembly**

Perform the following steps before disassembling the computer:

1. Turn off the computer.
2. Disconnect the AC adapter and all external devices.

---

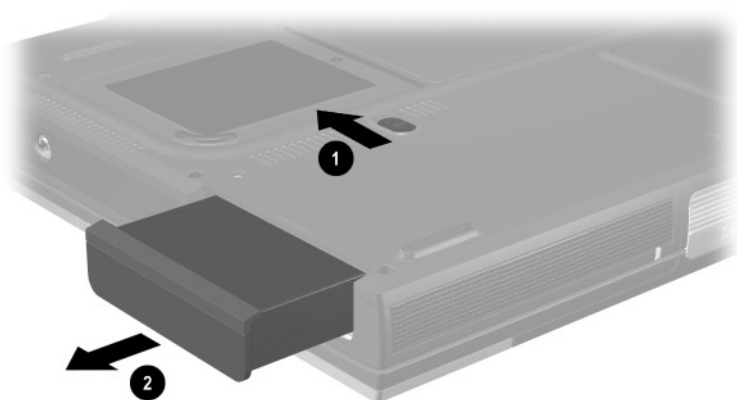
### Battery Packs Spare Part Number Information

---

8 cell, 62 W hour, 4.0 Ah, Li ion	289053-001
8 cell, 58 W hour, 3.6 Ah, Li ion	281766-001

---

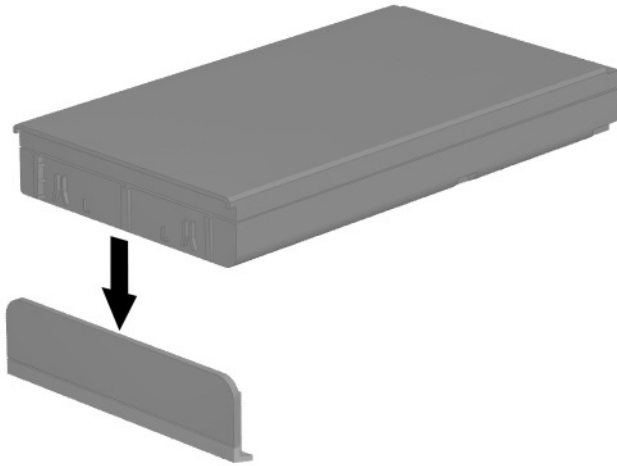
3. Remove the battery pack by following these steps:
  - a. Turn the computer bottom side up with the left side facing forward.
  - b. Slide and hold the battery release latch ❶ toward the back of the computer (Figure 5-2).
  - c. Use the notch in the battery bay to slide the battery pack out of the battery bay ❷.
  - d. Remove the battery pack.



**Figure 5-2. Releasing the Battery Pack**

Reverse the preceding procedures to install the battery pack.

4. To remove the battery bezel, slide the bezel straight down (Figure 5-3).



**Figure 5-3. Removing the Battery Bezel**



---

Battery bezels are available with carbon finish for Evo Notebook N1020v and N1000v models and silver finish for Presario 1500 models, and are included in the Miscellaneous Plastics/Hardware Kit, spare part number 285541-001.

---

Reverse the preceding procedures to install the battery bezel.



5. Remove the optical drive by following these steps:

---

**Optical Drives**  
**Spare Part Number Information**

---

For use only with Evo Notebook N1020v models and Presario 1500 models with config. codes beginning with "L"

24X Max CD-ROM drive	312537-001
8X Max DVD-ROM drive	311289-001
24X Max DVD-ROM/CD-RW combination drive	311290-001
8X Max DVD-ROM/CD-RW combination drive	311627-001

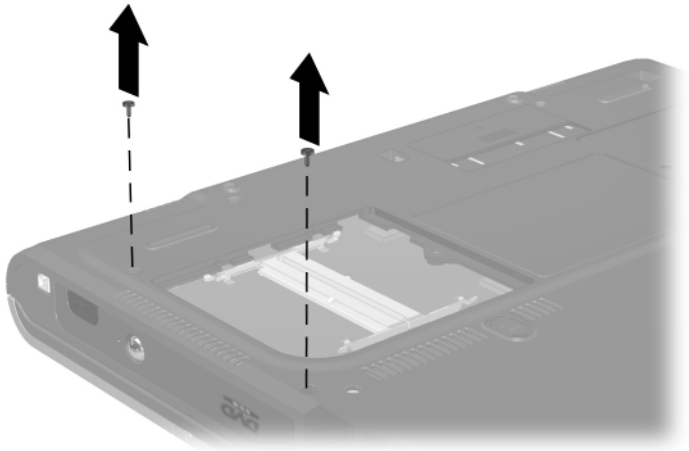
For use only with Evo Notebook N1000v models and Presario 1500 models with config. codes beginning with "K"

24X Max CD-ROM drive	285526-001
8X Max DVD-ROM drive	285527-001
24X Max DVD-ROM/CD-RW combination drive	304691-001
8X Max DVD-ROM/CD-RW combination drive	285529-001

---

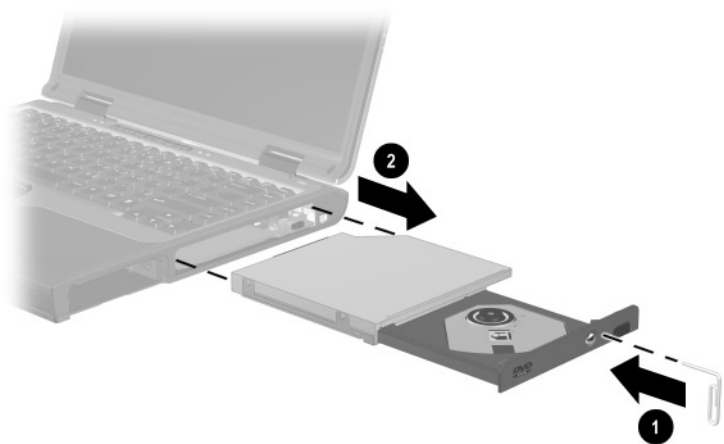
- a. Turn the computer bottom side up with the left side facing forward.

- b. Remove the two TM2.5 × 5.0 screws that secure the optical drive to the base enclosure (Figure 5-4).



**Figure 5-4. Removing the Optical Drive Screws**

- c. Turn the computer top side up with the right side facing forward.
- d. Insert a paper clip or similar thin metal rod into the manual release hole on the front bezel of the optical drive ❶ (Figure 5-5). Press firmly.
- e. Grasp the drive bezel and slide the drive out of the optical drive bay ❷.



**Figure 5-5. Removing an Optical Drive**

Reverse the preceding procedures to install a optical drive.

---

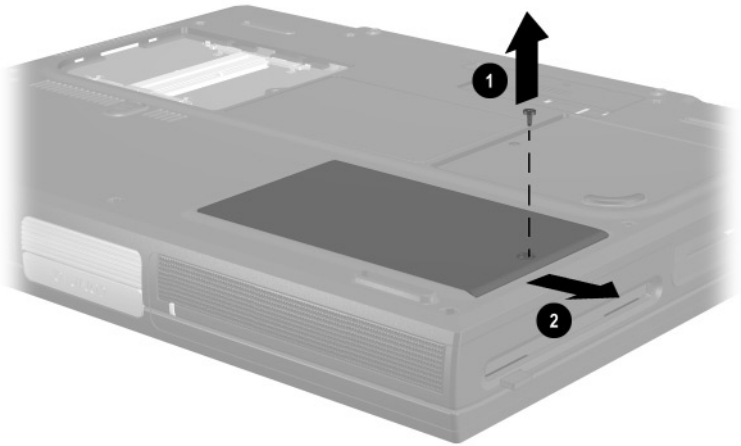
**Hard Drives**  
**Spare Part Number Information**

---

60 GB	303527-001
40 GB	273491-001
30 GB	192406-001
20 GB	288291-001

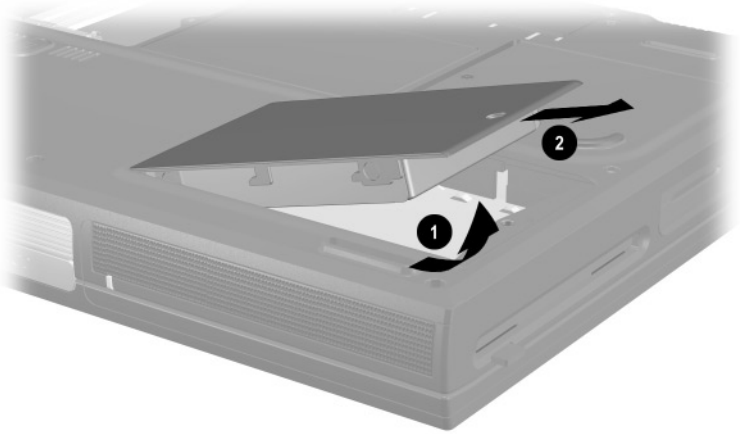
---

6. Remove the hard drive by following these steps:
  - a. Turn the computer bottom side up with the right side facing forward.
  - b. Remove the TM2.5 ×8.0 hard drive retention screw ❶ (Figure 5-6).
  - c. Slide the hard drive forward ❷ to unseat the hard drive connector from the system board.



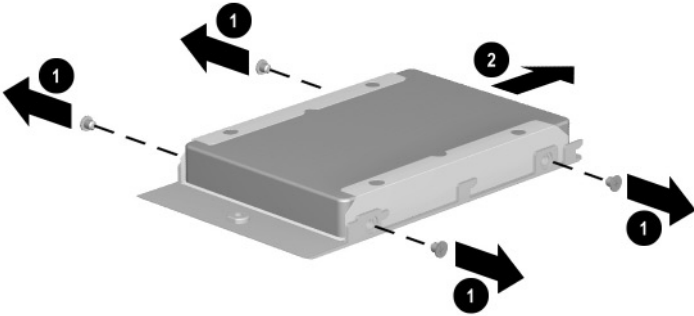
**Figure 5-6. Removing the Hard Drive Screw**

- d. Lift the front edge of the hard drive ❶ until it rests at an angle (Figure 5-7).
- e. Remove the hard drive from the hard drive bay ❷.



**Figure 5-7. Removing the Hard Drive**

7. Remove the four PM3.0 × 3.0 screws ❶ that secure the hard drive to the hard drive bracket (Figure 5-8).
8. Slide the hard drive out of the hard drive bracket ❷.



**Figure 5-8. Removing the Hard Drive Bracket**

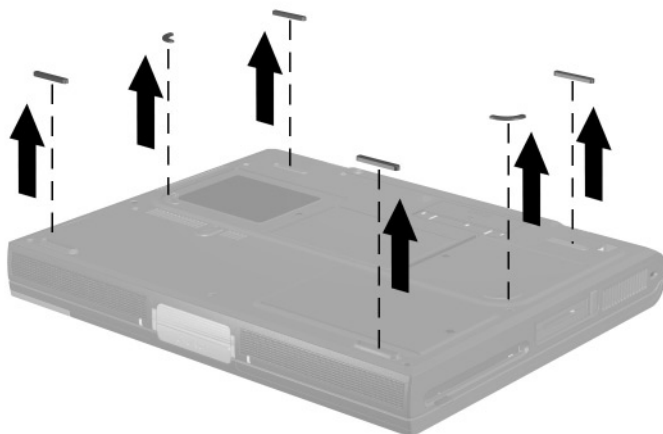


Hard drive brackets are available with carbon finish for Evo Notebook N1020v and N1000v models and silver finish for Presario 1500 models, and are included in the Miscellaneous Plastics/Hardware Kit, spare part number 285541-001.

Reverse the preceding procedures to install the hard drive and hard drive bracket.

## 5.4 Computer Feet

The computer feet are adhesive-backed rubber pads. The computer feet are included in the Miscellaneous Plastics/Hardware Kit, spare part number 285541-001. The computer feet attach to the base enclosure as illustrated in Figure 5-9.



*Figure 5-9. Replacing the Computer Feet*

## 5.5 Memory Expansion Board

---

### Memory Expansion Boards Spare Part Number Information

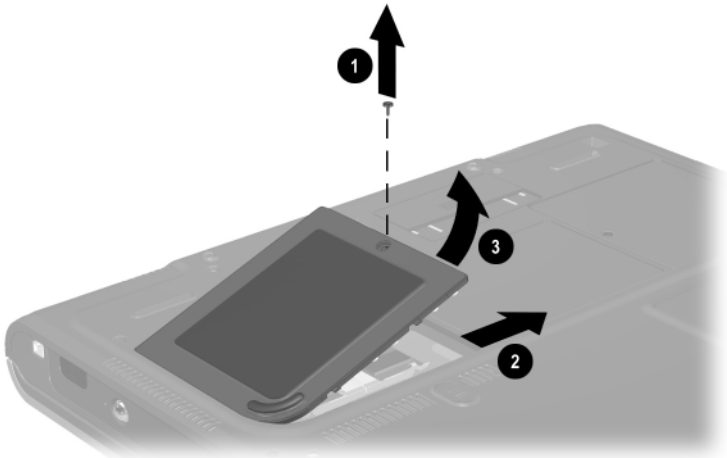
---

512 MB	285524-001
256 MB	285523-001
128 MB	285222-001

---

1. Prepare the computer for disassembly (Section 5.3).
2. Turn the computer bottom side up with the front facing forward.

3. Remove the PM2.5 × 4.0 screw ❶ that secures the memory expansion compartment cover to the base enclosure (Figure 5-10).
4. Slide the cover to the right ❷.
5. Lift the right edge of the cover and swing it to the left ❸.
6. Remove the cover.



**Figure 5-10. Removing the Memory Expansion Compartment Cover**

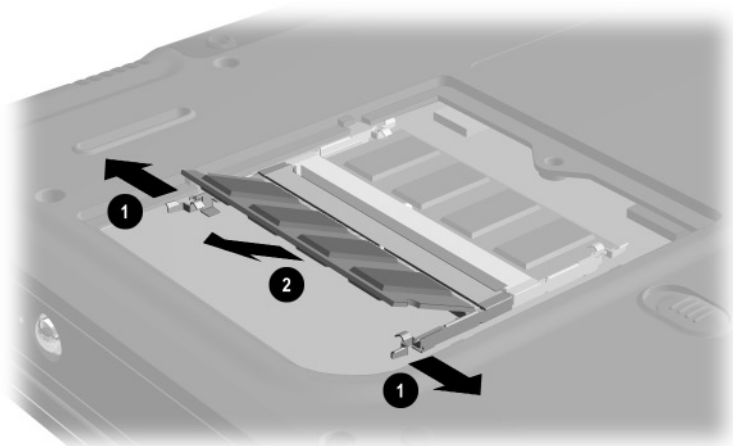


Memory expansion compartment covers are available with carbon finish for Evo Notebook N1020v and N1000v models and silver finish for Presario 1500 models, and are included in the Miscellaneous Plastics/Hardware Kit, spare part number 285541-001.

---



7. Spread the memory expansion slot retaining tabs ❶ to release the memory expansion board. The board tilts up at a 45-degree angle (Figure 5-11).
8. Remove the board by pulling it away from the connector at a 45-degree angle ❷.



**Figure 5-11. Removing a Memory Expansion Board**

Reverse the preceding procedures to install a memory expansion board.

## 5.6 Mini PCI Communications Board

---

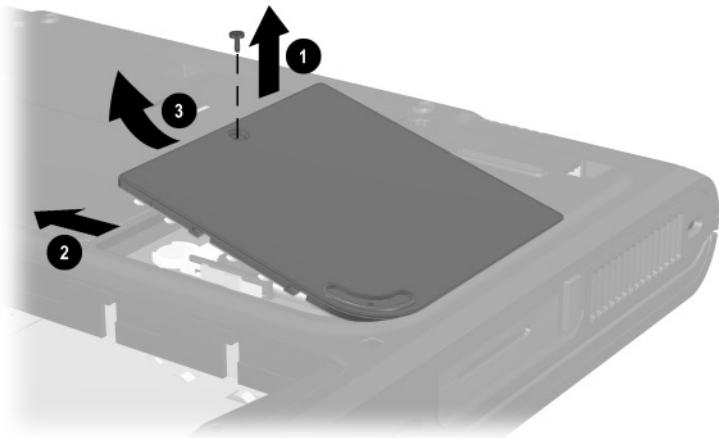
### Mini PCI Communication Boards Spare Part Number Information

---

U.S. modem	248776-001
International modem	285545-001

---

1. Prepare the computer for disassembly (Section 5.3).
2. Turn the computer bottom side up with the rear panel facing forward.
3. Remove the PM2.5 × 4.0 screw ❶ that secures the mini PCI compartment cover to the base enclosure (Figure 5-12).
4. Slide the cover to the left ❷.
5. Lift the left edge of the cover and swing it to the right ❸.
6. Remove the cover.



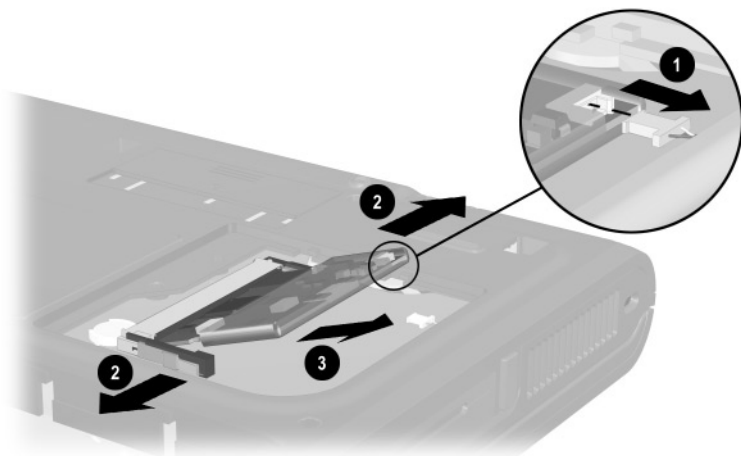
**Figure 5-12. Removing the Mini PCI Communications Slot Cover**



Mini PCI compartment covers are available with carbon finish for Evo Notebook N1020v and N1000v models and silver finish for Presario 1500 models, and are included in the Miscellaneous Plastics/Hardware Kit, spare part number 285541-001.

---

7. Disconnect the modem cable from the mini PCI communications board ❶ (Figure 5-13).
8. Spread the retaining tabs ❷ on each side of the mini PCI communications board. The board releases and rests at an angle.
9. Remove the board by pulling it away from the socket at an angle ❸.



**Figure 5-13. Removing a Mini PCI Communications Board**

Reverse the preceding procedures to install a mini PCI communications board.

## 5.7 Disk Cell RTC Battery

---

### Disk Cell RTC Battery Spare Part Number Information

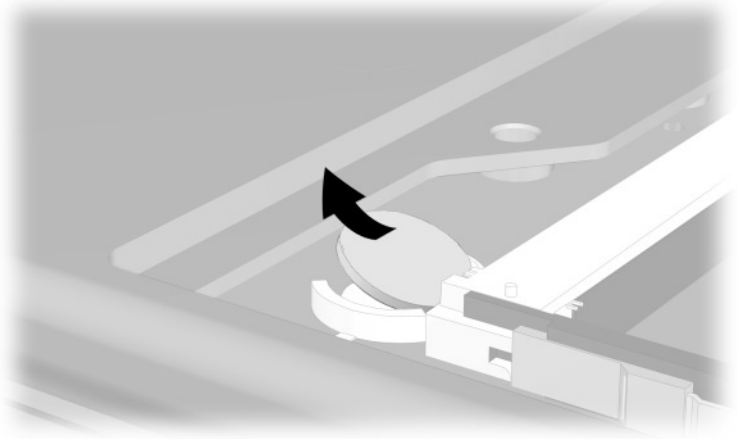
---

Disk cell RTC battery

279769-001

---

1. Prepare the computer for disassembly (Section 5.3).
2. Remove the mini PCI compartment cover (Section 5.6).
3. Remove the RTC battery from its socket on the system board (Figure 5-14).



**Figure 5-14. Removing the Disk Cell RTC Battery**



The computer uses a CR1220 lithium disk cell battery. When replacing the RTC battery, insert the battery with the “+” sign facing up.

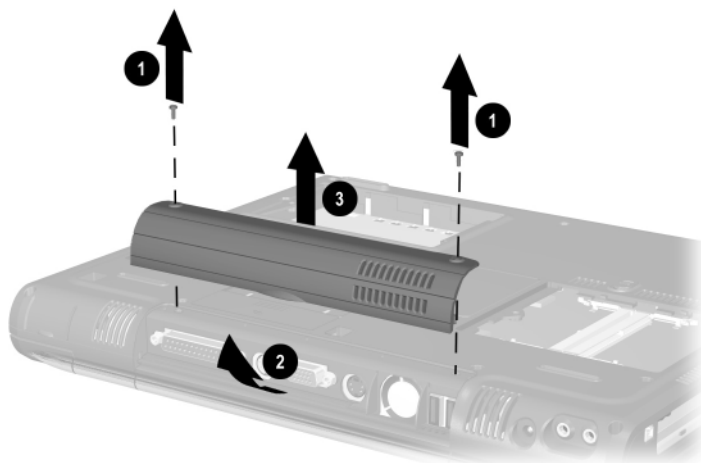
---

## 5.8 Connector Cover



The connector cover is available with carbon finish for Evo Notebook N1020v and N1000v models and silver finish for Presario 1500 models, and are included in the Miscellaneous Plastics/Hardware Kit, spare part number 285541-001.

1. Prepare the computer for disassembly (Section 5.3).
2. Turn the computer bottom side up with the rear panel facing forward.
3. Remove the two TM2.5 × 5.0 screws ❶ that secure the connector cover to the base enclosure (Figure 5-15).
4. Open the connector cover ❷.
5. Remove the connector cover from the base enclosure ❸.



**Figure 5-15. Removing the Connector Cover**

Reverse the preceding procedures to install the connector cover.

## 5.9 LED Cover

---

### LED Cover Spare Part Number Information

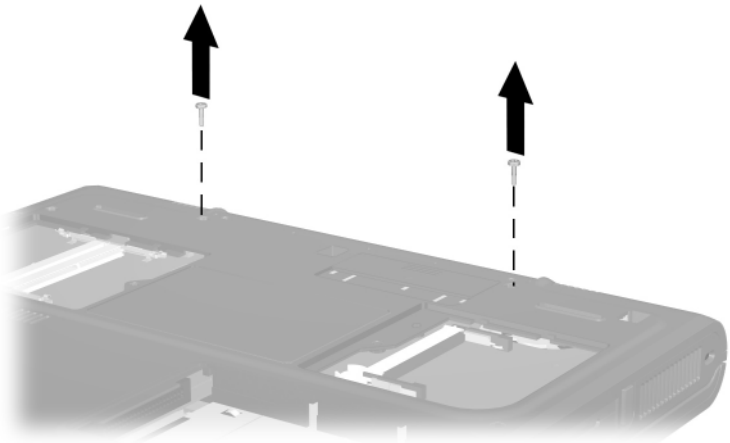
---

LED cover

for use only with Evo Notebook N1020v models and Presario 1500 models with config. codes beginning with “L”	310695-001
for use only with Evo Notebook N1000v models and Presario 1500 models with config. codes beginning with “K”	295736-001

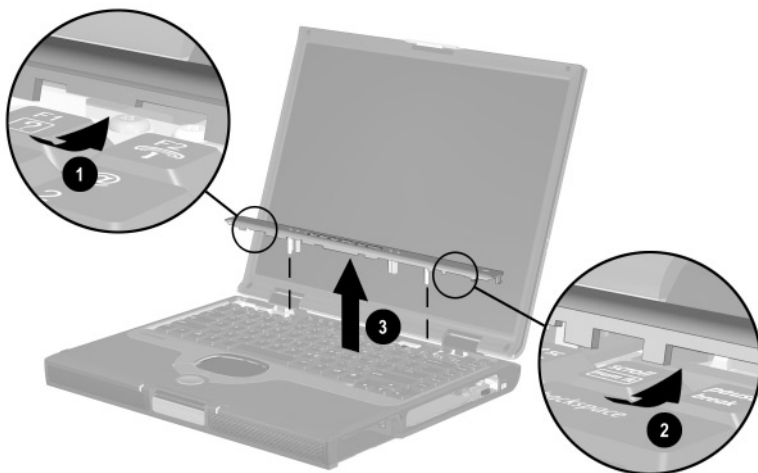
---

1. Prepare the computer for disassembly (Section 5.3).
2. Turn the computer bottom side up with the rear panel facing forward.
3. Remove the two TM2.5 × 8.0 screws that secure the LED cover to the base enclosure (Figure 5-16).



**Figure 5-16. Removing the LED Cover Screws**

4. Turn the computer top side up with the front facing forward.
5. Open the computer.
6. Press down and hold the **F1** and **F2** keys.
7. Insert a pointed tool into the notch in the LED cover ❶ between the **F1** and **F2** keys and lift up (Figure 5-17).
8. Press down and hold the **Pause** and **Scroll** keys.
9. Insert a pointed tool into the notch in the LED cover ❷ between the **Pause** and **Scroll** keys and lift up.
10. Remove the LED cover ❸.



**Figure 5-17. Removing the LED Cover**

Reverse the preceding procedures to install the LED cover.

## 5.10 Keyboard

---

### Keyboards Spare Part Number Information

---

For use only with TouchPad notebook models

Arabic	285530-171	Korean	285530-AD1
Belgian	285530-181	Latin American Spanish	285530-161
Brazilian	285530-201	Norwegian	285530-091
Chinese	285530-AA1	Portuguese	285530-131
Czech	285530-221	Russian	285530-251
Danish	285530-081	Slovakian	285530-231
French	285530-051	Spanish	285530-071
French Canadian	285530-121	Swedish	285530-101
German	285530-041	Swiss	285530-111
Hebrew	285530-BB1	Taiwanese	285530-AB1
Hungarian	285530-211	Turkish	285530-141
International	285530-002	U.K. English	285530-031
Italian	285530-061	U.S. English	285530-001
Japanese	285530-291		

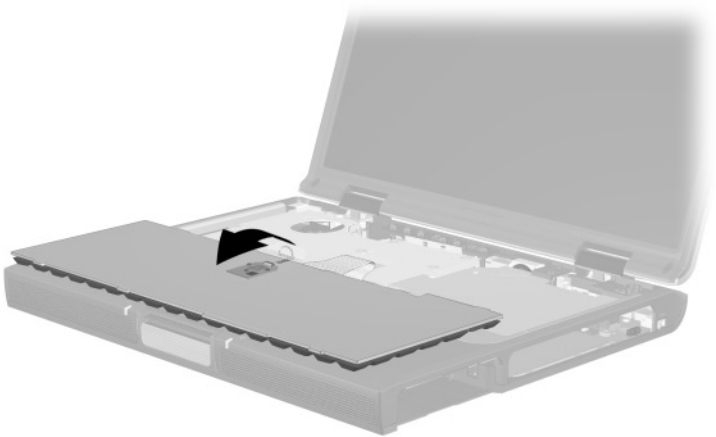
For use only with Dual Stick notebook models (includes pointing stick)

Arabic	285531-171	Latin American Spanish	285531-161
Belgian	285531-181	Norwegian	285531-091
Brazilian	285531-201	Portuguese	285531-131
Czech	285531-221	Russian	285531-251
Danish	285531-081	Slovakian	285531-231
French	285531-051	Spanish	285531-071
French Canadian	285531-121	Swedish	285531-101
German	285531-041	Swiss	285531-111
Hebrew	285531-BB1	Taiwanese	285531-AB1
Hungarian	285531-211	Thai	285531-281
International	285531-002	Turkish	285531-141
Italian	285531-061	U.K. English	285531-031
Japanese	285531-291	U.S. English	285531-001
Korean	285531-AD1		

---



1. Prepare the computer for disassembly (Section 5.3).
2. Remove the LED cover (Section 5.9).
3. Lift the back edge of the keyboard and swing it forward until it rests on the palm rest (Figure 5-18).



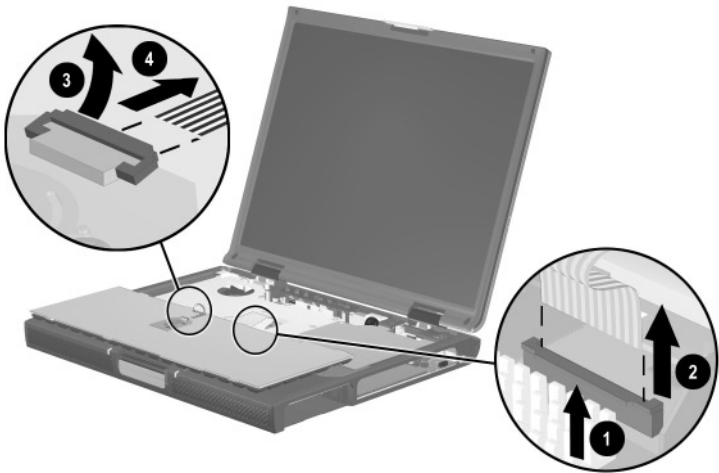
***Figure 5-18. Releasing the Keyboard***

4. Release the ZIF connector ❶ to which the keyboard cable is connected and disconnect the keyboard cable ❷ from the system board (Figure 5-19).



Dual Stick notebook models have an additional cable that must be disconnected. Release the ZIF connector ❸ to which the keyboard-to-TouchPad cable is attached and disconnect the cable ❹ from the keyboard.

---



**Figure 5-19. Disconnecting the Keyboard-to-TouchPad Cable**

5. Remove the keyboard.

Reverse the preceding procedures to install the keyboard.

## 5.11 Heat Spreader

---

### Heat Spreaders Spare Part Number Information

---

For use only on Evo Notebook N1020v and N1000v models	291648-001
For use only on Presario 1500 models	285544-001

---

1. Prepare the computer for disassembly (Section 5.3).
2. Remove the LED cover (Section 5.9).
3. Remove the keyboard (Section 5.10).

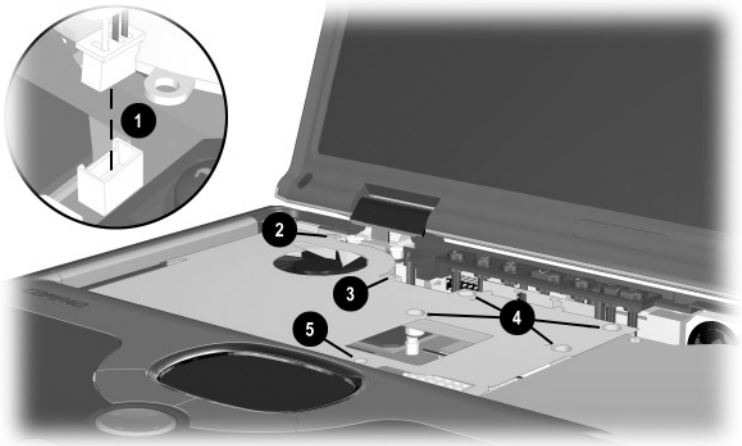
4. Disconnect the fan cable ❶ from the system board (Figure 5-20).
5. Remove the following screws:
  - ❑ One TM2.5 × 5.0 screw ❷ next to the fan
  - ❑ One TM2.5 × 5.0 screw ❸ that secures the display video cable ground loop
  - ❑ Four spring-loaded TM2.5 × 14.0 shoulder screws ❹



The four spring-loaded shoulder screws should be removed and installed in the “1,” “2,” “3,” “4” sequence stamped on the heat spreader adjacent to each screwhole.

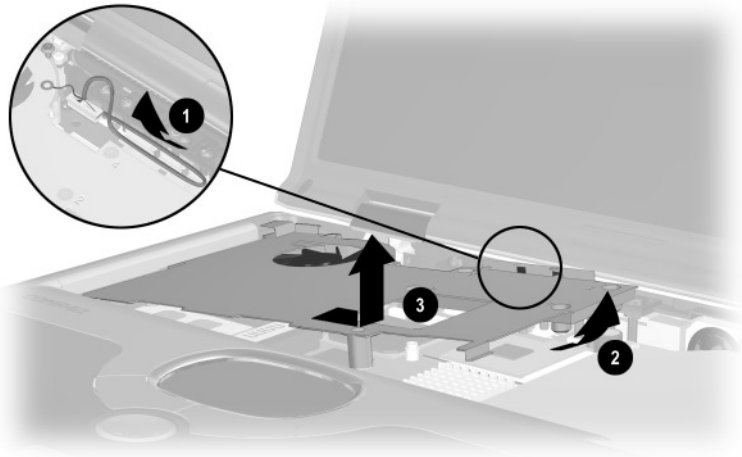
---

- ❑ One TM2.5 × 8.0 screw ❺ next to the keyboard and TouchPad ZIF connectors



**Figure 5-20. Removing the Heat Spreader Screws**

6. Remove the display video cable ❶ from the routing channel in the heat spreader (Figure 5-21).
7. Lift the right side of the heat spreader until it rests at an angle ❷.
8. Slide the heat spreader to the right at an angle ❸ and remove the heat spreader from the base enclosure.



**Figure 5-21. Removing the Heat Spreader**

Reverse the preceding procedures to install the heat spreader.

## 5.12 Processor

---

### Processors Spare Part Number Information

---

Intel Mobile Pentium 4 2.4-GHz processor with SpeedStep technology (P4-M) 1.5 V	310306-001
Intel Mobile Pentium 4 2.2-GHz processor with SpeedStep technology (P4-M)	286753-001
Intel Mobile Pentium 4 2.0-GHz processor with SpeedStep technology 1.3 V	311385-001
Intel Mobile Pentium 4 2.0-GHz processor with SpeedStep technology (P4-M)	286752-001
Intel Mobile Pentium 4 1.9-GHz processor with SpeedStep technology 1.5 V	312536-001
Intel Mobile Pentium 4 1.8-GHz processor with SpeedStep technology 1.5 V	311284-001
Intel Mobile Pentium 4 1.8-GHz processor with SpeedStep technology (P4-M)	286751-001
Intel Mobile Pentium 4 1.7-GHz processor with SpeedStep technology 1.75 V	311283-001
Intel Mobile Pentium 4 1.7-GHz processor with SpeedStep technology (P4-M)	285519-001
Intel Mobile Pentium 4 1.6-GHz processor with SpeedStep technology (P4-M)	285518-001
Intel Mobile Pentium 4 1.5-GHz processor with SpeedStep technology (P4-M)	285517-001
Intel Mobile Pentium 4 1.6-GHz processor (P4-C)	303725-001
Intel Mobile Pentium 4 1.5-GHz processor (P4-C)	303724-001
Intel Celeron 1.6-GHz processor 1.3 V	311625-001
Intel Celeron 1.5-GHz processor 1.3 V	301643-001
Intel Celeron 1.4-GHz processor 1.3 V	303528-001

---

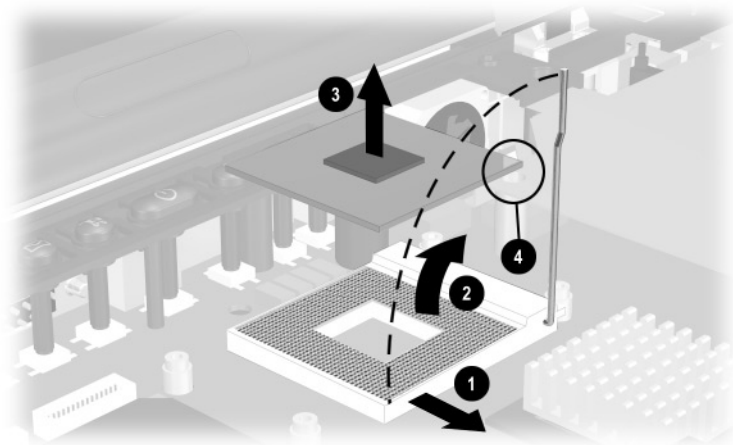
1. Prepare the computer for disassembly (Section 5.3) and remove the following components:
  - a. LED cover (Section 5.9)
  - b. Keyboard (Section 5.10)
  - c. Heat spreader (Section 5.11)

2. Slide the left end of the processor release bar ❶ forward until it clears the clip on the processor bracket (Figure 5-22).
3. Swing the processor release bar up and to the right ❷ until it rests in an upright position.
4. Lift the processor straight up ❸ and remove it from the processor socket.



When installing the processor, make sure the gold triangle ❹ is in the lower right corner.

---



**Figure 5-22. Removing the Processor**

Reverse the preceding procedures to install the processor.

## 5.13 Display

---

### Displays Spare Part Number Information

---

Parts have carbon finish for use with Evo Notebook N1020v models

15.0-inch, TFT, SXGA+	311288-001
15.0-inch, TFT, XGA	310689-001
14.1-inch, XGA	311286-001

Parts have carbon finish for use with Evo Notebook N1000v models

15.0-inch, TFT, SXGA+	291643-001
15.0-inch, TFT, XGA	291642-001
14.1-inch, XGA	291641-001

Parts have silver finish for use with Presario 1500 models with config. codes beginning with "L"

15-inch, TFT, SXGA+	311287-001
15-inch, TFT, XGA	310688-001
14-inch, TFT, XGA	310687-001

Parts have silver finish for use with Presario 1500 models with config. codes beginning with "K"

15-inch, TFT, SXGA+	286754-001
15-inch, TFT, XGA	285521-001
14-inch, TFT, XGA	285520-001

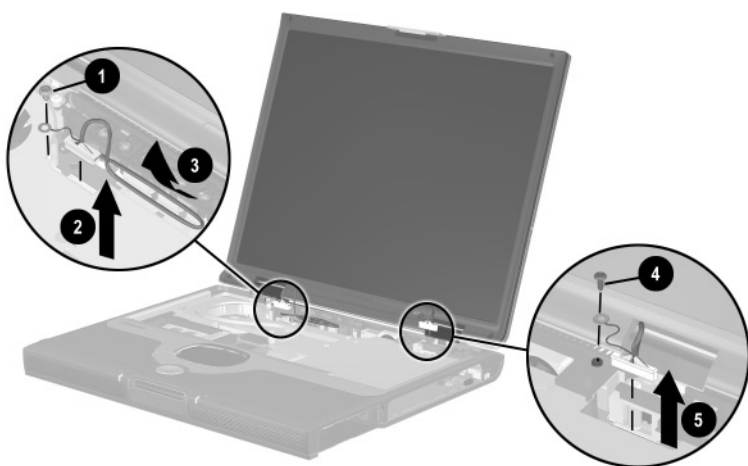
Display inverter board (not illustrated) 293348-001

---


1. Prepare the computer for disassembly (Section 5.3).
2. Remove the LED cover (Section 5.9).
3. Remove the keyboard (Section 5.10).



4. Remove the TM2.5 × 5.0 screw ❶ that secures the display video ground cable to the heat spreader (Figure 5-23).
5. Disconnect the display video cable ❷ from the system board.
6. Remove the display video cable from the routing channels in the heat spreader and the top cover ❸.
7. Remove the TM2.5 × 5.0 screw ❹ that secures the display inverter ground cable to the heat spreader.
8. Disconnect the display inverter cable ❺ from the system board.

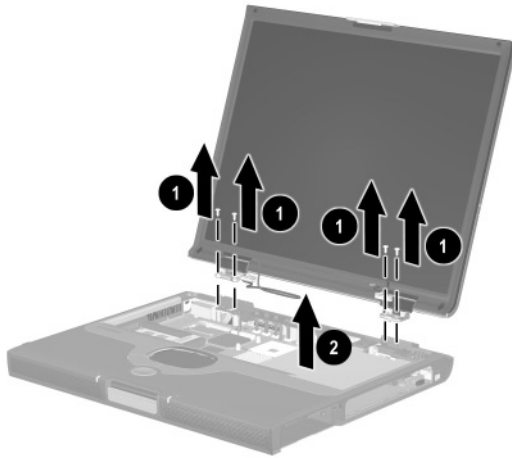


**Figure 5-23. Removing the Display Screws and Disconnecting the Display Cables**

 **CAUTION:** Make sure the display is supported when removing the following screws. The display is secured to the computer only by these screws and will fall if not supported during screw removal.

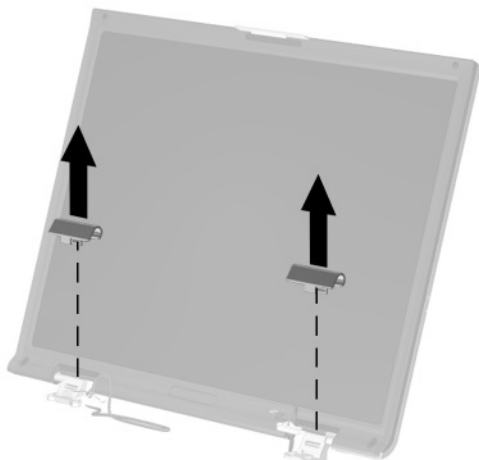
---

9. Remove the four TM2.5 × 9.0 screws ❶ that secure the display to the base enclosure (Figure 5-24).
10. Remove the display from the base enclosure ❷.



**Figure 5-24. Removing the Display**

11. If necessary, remove the display hinge covers by pressing up on the bottom of the covers from behind the display assembly (Figure 5-25). Note that the hinge covers are not interchangeable.



**Figure 5-25. Removing the Display Hinge Covers**



The display hinge covers are included in the Miscellaneous Plastics/Hardware Kit, spare part number 285541-001.

---

When installing the display, install the screws in the ❶, ❷, ❸, ❹ sequence shown in the Figure 5-26.



**Figure 5-26. Installing the Display Screws**

## 5.14 Palm Rest

### Palm Rests Spare Part Number Information

Parts have carbon finish for use with Evo Notebook N1020v models

for use only with TouchPad notebook models	311293-001
for use only with Dual Stick notebook models	311294-001

Parts have carbon finish for use with Evo Notebook N1000v models

for use only with TouchPad notebook models	291645-001
for use only with Dual Stick notebook models	291646-001

Parts have silver finish for use with Presario 1500 models with config. codes beginning with "L"

for use only with models with a diskette drive	310692-001
for use only with models without a diskette drive	310693-001

Parts have silver finish for use with Presario 1500 models with config. codes beginning with "K"

for use only with models with a diskette drive	285533-001
for use only with models without a diskette drive	285534-001

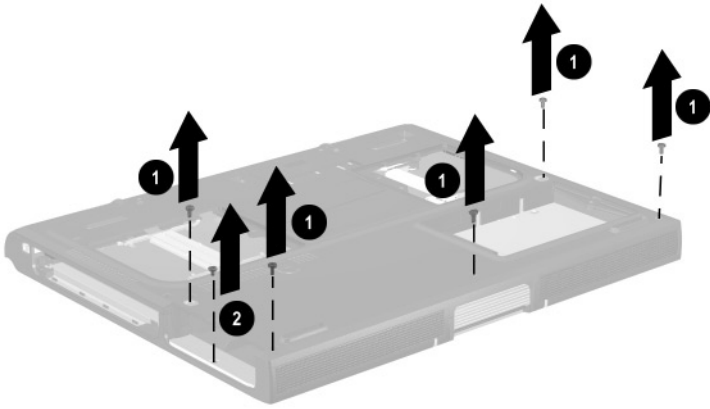


When replacing the palm rest, ensure that the following components are removed from the old palm rest and installed on the new palm rest:

- Diskette drive (Section 5.15)
- TouchPad components (Section 5.16)
- Display release assembly (Section 5.17)

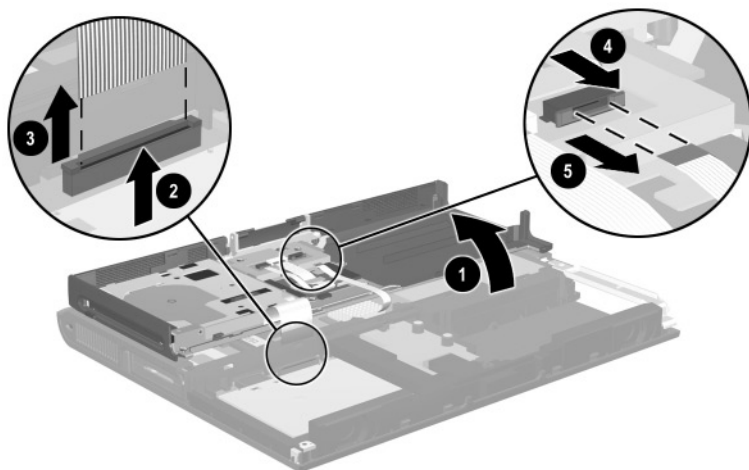
1. Prepare the computer for disassembly (Section 5.3).
2. Close the computer.
3. Turn the computer bottom side up with the front facing forward.

4. Remove the five TM2.5 × 8.0 screws ❶ that secure the palm rest to the base enclosure (Figure 5-27).
5. Remove the TM2.5 × 5.0 screw ❷ that secures the palm rest to the base enclosure in the battery bay.



**Figure 5-27. Removing the Palm Rest Screws**

6. Turn the computer top side up with the front facing forward.
7. Open the computer.
8. Lift the front edge of the palm rest and swing it up and back **1** until it rests on the top cover (Figure 5-28).
9. Release the ZIF connector to which the diskette drive cable is attached **2** and disconnect the diskette drive cable **3** from the system board.
10. Release the ZIF connector to which the system board-to-TouchButton board cable is attached **4** and disconnect the cable **5** from the TouchButton board.

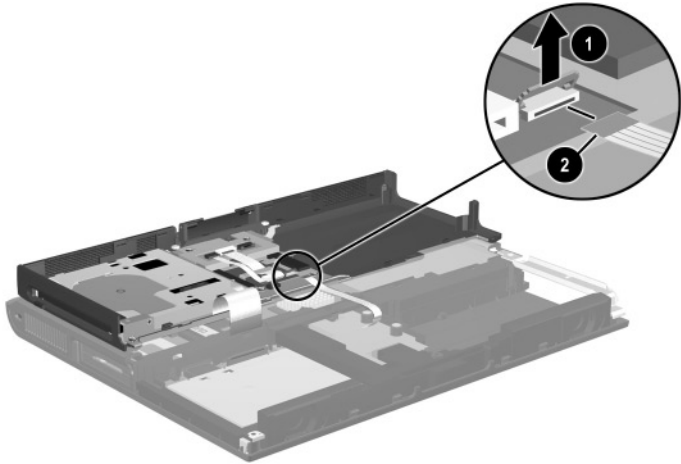


**Figure 5-28. Removing the Palm Rest**



Dual Stick notebook models have an additional cable that must be disconnected. Release the ZIF connector ❶ to which the keyboard-to-TouchPad cable is attached and disconnect the cable ❷ from the TouchPad (Figure 5-29).

---



**Figure 5-29. Disconnecting the Keyboard-to-TouchPad Cable**

---



The keyboard-to-TouchPad cable is included in the Miscellaneous Cable Kit, spare part number 285540-001.

---

11. Remove the palm rest from the base enclosure.

Reverse the preceding procedures to install the palm rest.

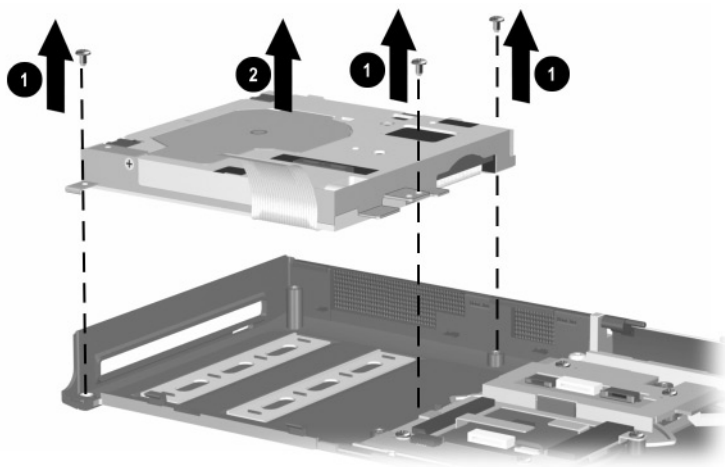


## 5.15 Diskette Drive

### Diskette Drives Spare Part Number Information

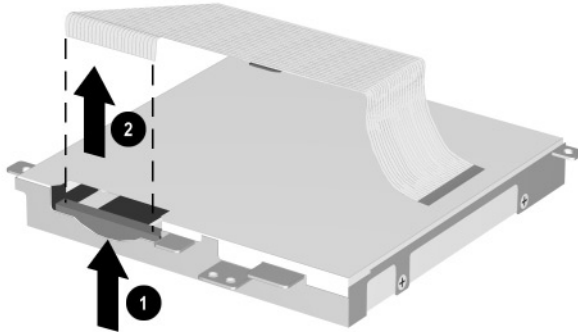
For use with TouchPad only notebook models	285539-001
For use with Dual Stick notebook models	291647-001
The diskette drive cable is included in Miscellaneous Cable Kit, spare part number 285540-001	

1. Prepare the computer for disassembly (Section 5.3).
2. Remove the palm rest (Section 5.14).
3. Turn the palm rest bottom side up with the speaker grilles facing away from you.
4. Remove the three TM2.5 × 5.0 screws ❶ that secure the diskette drive to the palm rest (Figure 5-30).
5. Remove the diskette drive ❷ from the palm rest.



**Figure 5-30. Removing the Diskette Drive**

6. Release the ZIF connector ❶ to which the diskette drive cable is connected and disconnect the diskette drive cable ❷ from the drive (Figure 5-31).
7. Remove the diskette drive cable.



**Figure 5-31. Removing the Diskette Drive Cable**

Reverse the preceding procedures to install the diskette drive.

## 5.16 TouchPad Components

---

### TouchPad Components Spare Part Number Information

---

The TouchPad components for TouchPad notebook models consist of the TouchPad, TouchPad bracket, and TouchButton board. These components are different than the corresponding components for the Dual Stick notebook models.

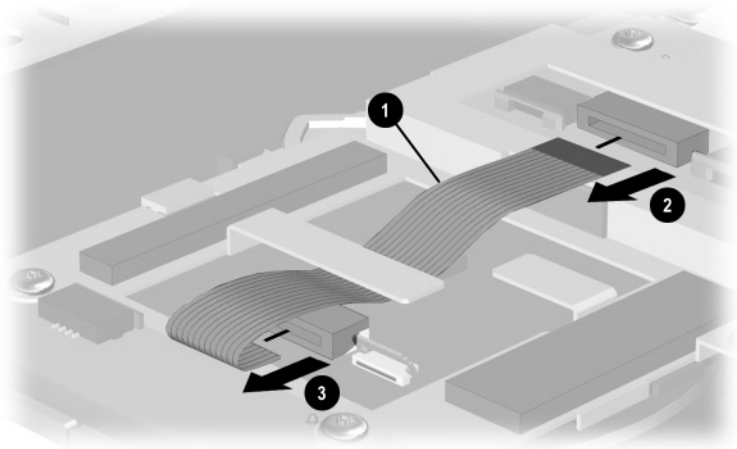
The TouchPad components for Dual Stick notebook models consist of the TouchPad, TouchPad bracket, TouchButton board, and the pointing stick board. All TouchPad components are included with the appropriate palm rest for each notebook model. Refer to item 7, "Palm rests," for more information.

All TouchPad component cables are included in the Miscellaneous Cable Kit. Refer to item 5, "Miscellaneous Cable Kit," for more information.

---

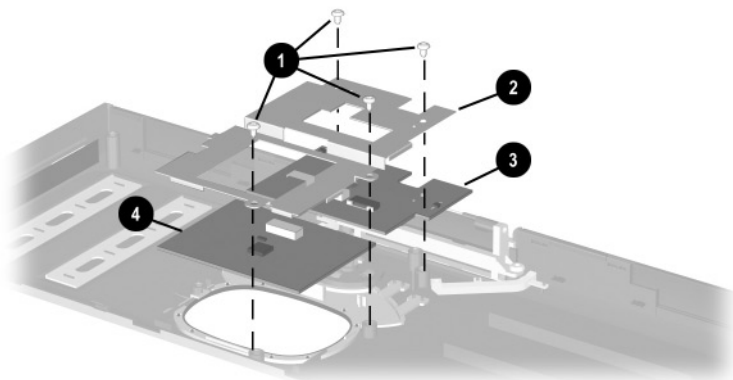
1. Prepare the computer for disassembly (Section 5.3).
2. Remove the palm rest (Section 5.14).
3. Remove the diskette drive (Section 5.15).
4. Turn the palm rest bottom side up with the speaker grilles facing away from you.

5. Disconnect both ends of the TouchPad-to-TouchButton board cable ❶ from the low insertion force (LIF) connectors on the TouchPad ❷ and TouchButton board ❸ (Figure 5-32).
6. Remove the TouchPad-to-TouchButton board cable.



**Figure 5-32. Removing the TouchPad-to-TouchButton Board Cable**

7. Remove the four TM2.5 × 5.0 screws **1** that secure the TouchPad, TouchButton board, and TouchPad bracket to the palm rest (Figure 5-33).
8. Remove the TouchPad bracket **2**, TouchButton board **3**, and TouchPad **4** from the palm rest.



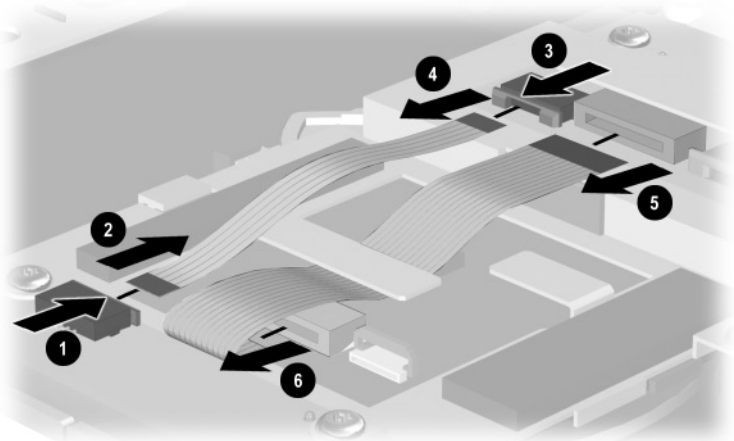
**Figure 5-33. Removing the TouchPad Components on TouchPad Models**



Dual Stick notebook models have a different TouchPad configuration. An additional cable, screw, and board must be removed. Steps 9 through 13 apply to Dual Stick models only.

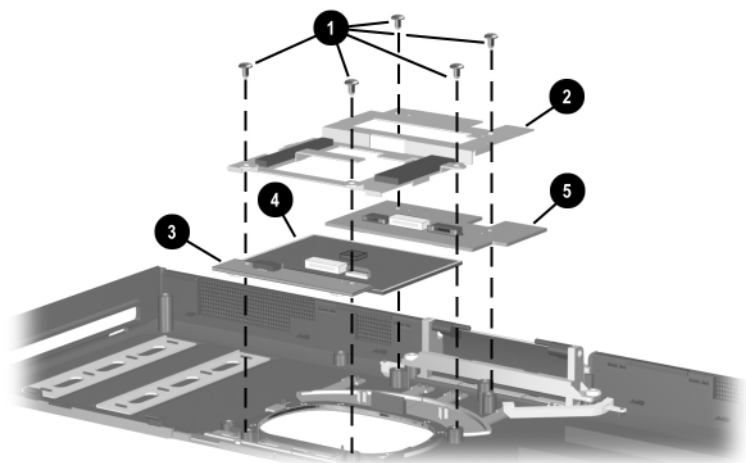
---

9. Release the ZIF connector **1** on the pointing stick board to which the TouchButton board-to-pointing stick board cable is attached and disconnect the cable **2** (Figure 5-34).
10. Release the ZIF connector **3** on the TouchButton board to which the TouchButton board-to-pointing stick board cable is attached and disconnect the cable **4**.
11. Disconnect both ends of the TouchPad-to-TouchButton board cable from the LIF connectors on the TouchButton board **5** and TouchPad **6**.



**Figure 5-34. Disconnecting the TouchPad-to-TouchButton Board and TouchButton Board-to-Pointing Stick Board Cables**

12. Remove the five TM2.5 × 5.0 screws ❶ that secure the TouchPad, TouchButton board, TouchPad bracket, and pointing stick board to the palm rest (Figure 5-35).
13. Remove the TouchPad bracket ❷, pointing stick board ❸, TouchPad ❹, and TouchButton board ❺ from the palm rest.



**Figure 5-35. Removing the TouchPad Components on Dual Stick Models**

Reverse the preceding procedures to install the TouchPad components.

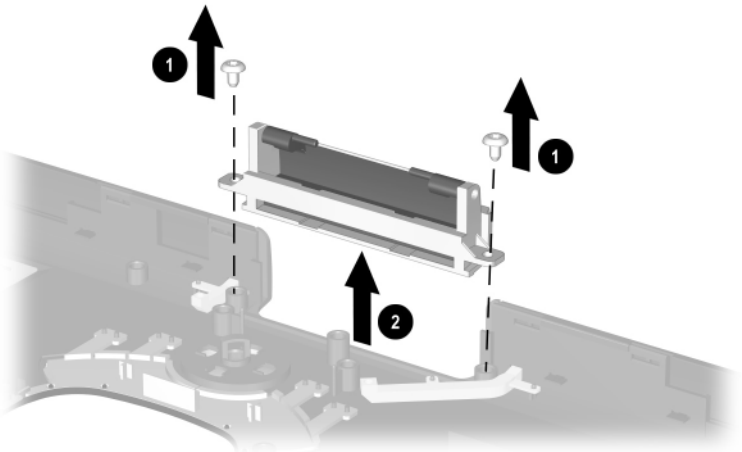
## 5.17 Display Release Assembly



The display release assembly is included in the Miscellaneous Plastics/Hardware Kit, spare part number 285541-001.

---

1. Prepare the computer for disassembly (Section 5.3).
2. Remove the palm rest (Section 5.14).
3. Turn the palm rest bottom side up with the speaker grilles facing forward.
4. Remove the two TM2.5 × 5.0 screws ❶ that secure the display release assembly to the palm rest (Figure 5-36).
5. Remove the assembly ❷ from the palm rest.



**Figure 5-36. Removing the Display Release Assembly**

Reverse the preceding procedures to install the display release assembly.



## 5.18 Charger Board

---

### Charger Board Spare Part Number Information

---

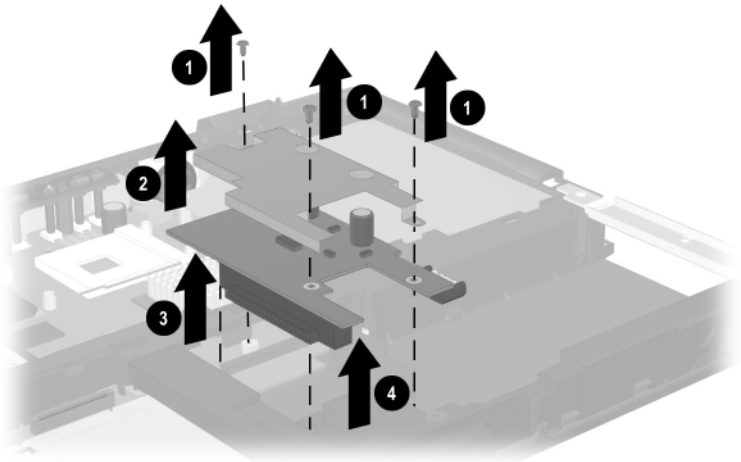
Charger board	285525-001
---------------	------------

The charger board shield is included in the Miscellaneous Plastics/Hardware Kit, spare part number 285541-001.

---

1. Prepare the computer for disassembly (Section 5.3).
2. Remove the palm rest (Section 5.14).

3. Remove the three TM2.5 × 5.0 screws ❶ that secure the charger board to the base enclosure (Figure 5-37).
4. Lift the front edge of the charger board shield ❷ until it clears the base enclosure, then slide the shield forward to remove it.
5. Lift up on the back edge of the charger board ❸ to disconnect it from the system board.
6. Remove the charger board ❹ from the base enclosure.



**Figure 5-37. Removing the Charger Board**

Reverse the preceding procedures to install the charger board.

## 5.19 Speaker Assembly

---

### Speaker Assembly Spare Part Number Information

---

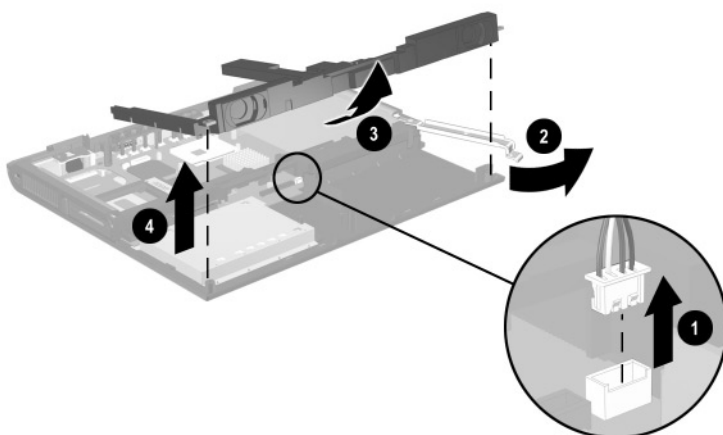
Speaker assembly

285538-001

---

1. Prepare the computer for disassembly (Section 5.3).
2. Remove the palm rest (Section 5.14).

3. Remove the charger board (Section 5.18).
4. Disconnect the speaker cable ❶ from the system board (Figure 5-38).
5. Swing the battery bay support bracket ❷ to the right until it clears the right edge of the speaker assembly.
6. Lift the front edge of the speaker assembly until it rests at an angle ❸.
7. Slide the speaker assembly forward and remove it ❹ from the base enclosure.



**Figure 5-38. Removing the Speaker Assembly**

Reverse the preceding procedures to install the speaker assembly.

## 5.20 Top Cover

---

### Top Cover Spare Part Number Information

---

Top cover

285535-001

---

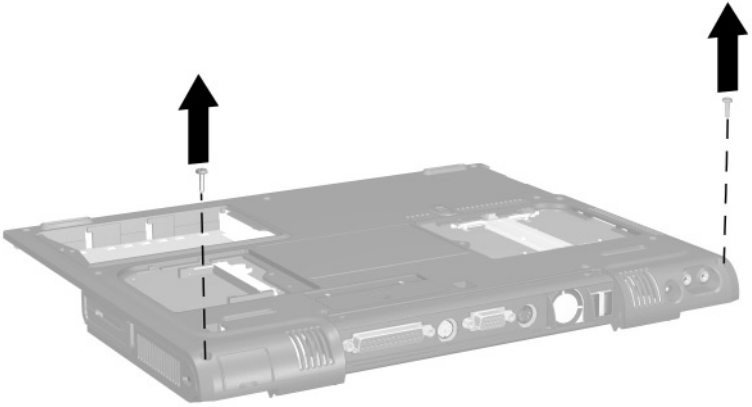


When replacing the top cover, ensure that the microphone is removed from the old top cover and installed on the new top cover.

---

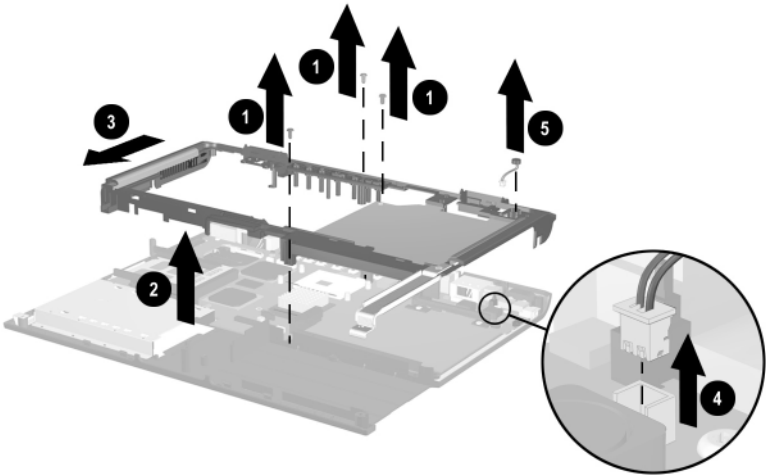
1. Prepare the computer for disassembly (Section 5.3) and remove the following components:
  - a. LED cover (Section 5.9)
  - b. Keyboard (Section 5.10)
  - c. Heat spreader (Section 5.11)
  - d. Display (Section 5.13)
  - e. Palm rest (Section 5.14)
2. Turn the base enclosure bottom side up with the rear panel facing forward.

3. Remove the two TM2.5 × 8.0 screws that secure the top cover to the base enclosure (Figure 5-39).



**Figure 5-39. Removing the Top Cover Screws**

4. Turn the base enclosure top side up with the front facing forward.
5. Remove the three TM2.5 × 5.0 screws ❶ that secure the top cover to the base enclosure (Figure 5-40).
6. Lift the top cover straight up ❷ approximately one inch, then slide it forward ❸ until the microphone cable ❹ is exposed.
7. Disconnect the microphone cable ❺ from the system board.
8. Remove the microphone ❻ from the top cover.
9. Remove the top cover from the base enclosure.



**Figure 5-40. Removing the Top Cover and Microphone**



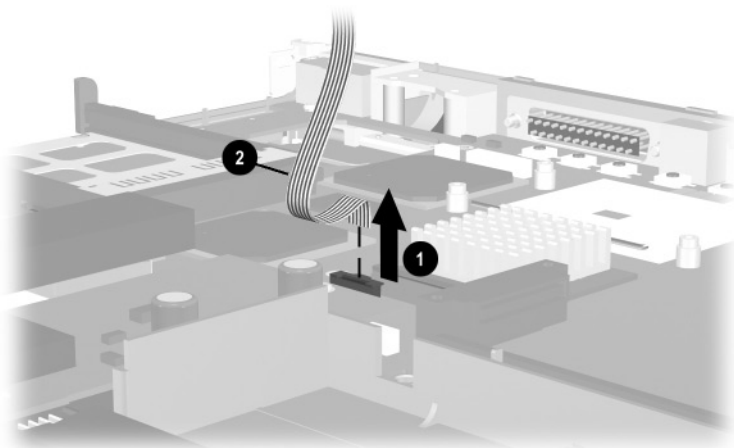
The microphone is included in the Miscellaneous Cable Kit, spare part number 285540-001.

---



After the top cover is removed, the system board-to-TouchButton board cable can be removed. The system board-to-TouchButton board cable is included in the Miscellaneous Cable Kit, spare part number 285540-001.

10. Release the ZIF connector ❶ to which the system board-to-TouchButton board cable is attached and disconnect the cable ❷ from the system board (Figure 5-41).



**Figure 5-41. Removing the System Board-to-TouchButton Board Cable**

Reverse the preceding procedures to install the top cover.

## 5.21 Fan

---

### Fan Spare Part Number Information

---

Fan

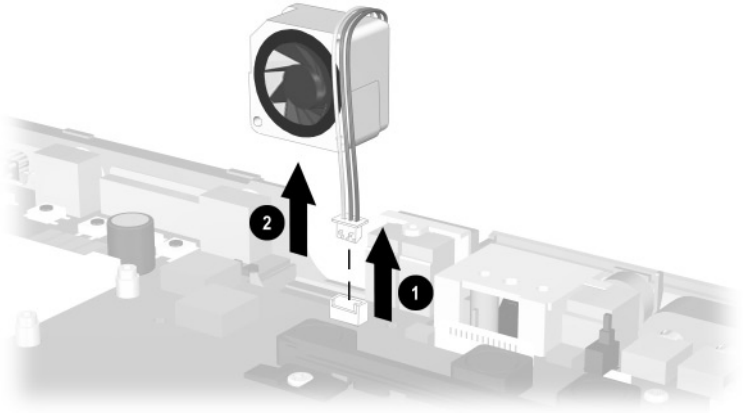
285543-001

---

1. Prepare the computer for disassembly (Section 5.3) and remove the following components:
  - a. LED cover (Section 5.9)
  - b. Keyboard (Section 5.10)
  - c. Heat spreader (Section 5.11)
  - d. Display (Section 5.13)
  - e. Palm rest (Section 5.14)
  - f. Top cover (Section 5.20)



2. Disconnect the fan cable ❶ from the system board (Figure 5-42).
3. Remove the fan ❷ from the base enclosure.



**Figure 5-42. Removing the Fan**

Reverse the preceding procedures to install the fan.

## 5.22 System Board

---

### System Board Spare Part Number Information

---

System boards (do not contain memory)

for use only with Evo Notebook N1020v models and Presario 1500 models with config. codes beginning with “L”	311282-001
for use only with Evo Notebook N1000v models and Presario 1500 models with config. codes beginning with “K”	285515-001

---

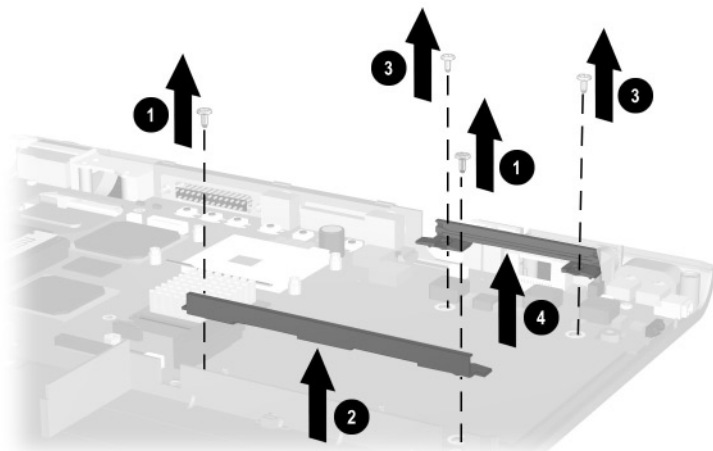


When replacing the system board, ensure that the following components are removed from the old system board and installed on the new system board:

- Memory expansion boards (Section 5.5)
  - Mini PCI communications board (Section 5.6)
  - Disk cell RTC battery (Section 5.7)
  - Processor (Section 5.12)
  - Modem cable (Section 5.23)
- 

1. Prepare the computer for disassembly (Section 5.3) and remove the following components:
  - a. LED cover (Section 5.9)
  - b. Keyboard (Section 5.10)
  - c. Heat spreader (Section 5.11)
  - d. Display (Section 5.13)
  - e. Palm rest (Section 5.14)
  - f. Charger board and shield (Section 5.18)
  - g. Speaker assembly (Section 5.19)

- h. Top cover, microphone, and TouchPad cable (Section 5.20)
  - i. Fan (Section 5.21)
2. Remove the two TM2.5 × 5.0 screws ❶ that secure the optical drive front alignment rail to the base enclosure (Figure 5-43).
  3. Remove the front alignment rail ❷ from the base enclosure.
  4. Remove the two TM2.5 × 5.0 screws ❸ that secure the optical drive rear alignment rail to the base enclosure.
  5. Remove the rear alignment rail ❹ from the base enclosure.



**Figure 5-43. Removing the Optical Drive Alignment Rails**

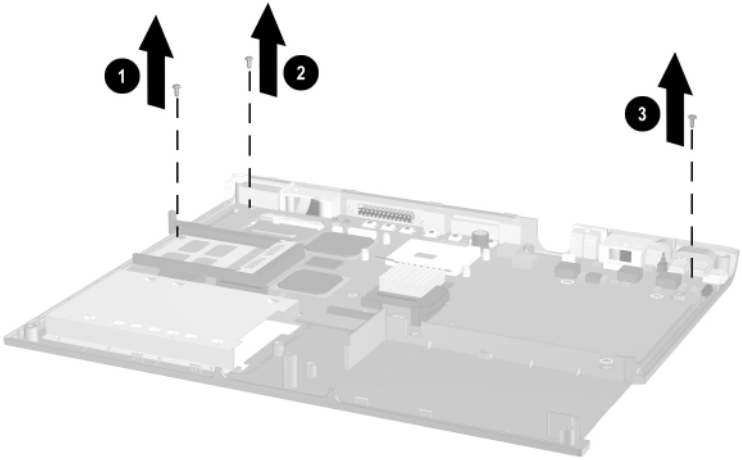


The optical drive alignment rails are included in the Miscellaneous Plastics/Hardware Kit, spare part number 285541-001.

---

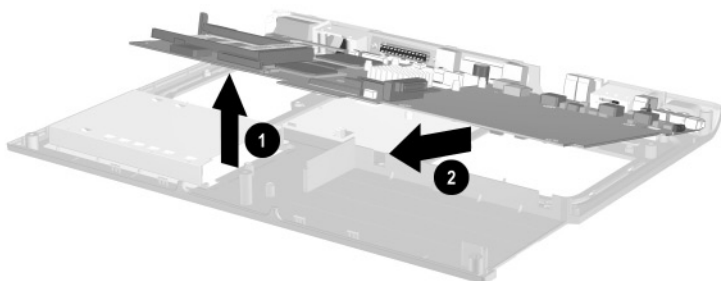
6. Remove the following screws:

- ❑ TM2.5 × 5.0 screw ❶ next to the PC Card assembly (Figure 5-44)
- ❑ TM2.5 × 5.0 screw ❷ next to the RJ-11 and RJ-45 connectors
- ❑ TM2.5 × 5.0 screw ❸ next to the audio connectors



**Figure 5-44. Removing the System Board Screws**

7. Lift the front edge of the system board until it rests at an angle ❶ (Figure 5-45).
8. Slide the system board forward ❷ and remove it from the base enclosure.



**Figure 5-45. Removing the System Board**

Reverse the preceding procedures to install the system board.

## **5.23 Modem Cable**

---

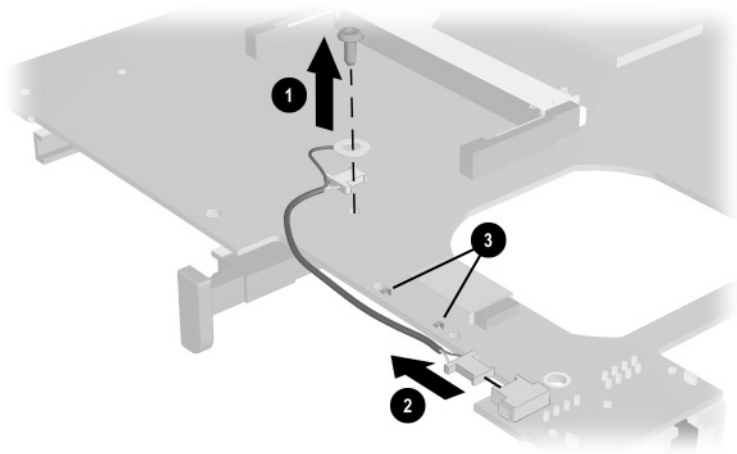


The modem cable is included in the Miscellaneous Cable Kit, spare part number 285540-001.

---

1. Prepare the computer for disassembly (Section 5.3) and remove the following components:
  - a. LED cover (Section 5.9)
  - b. Keyboard (Section 5.10)
  - c. Heat spreader (Section 5.11)
  - d. Display (Section 5.13)
  - e. Palm rest (Section 5.14)
  - f. Top cover (Section 5.20)
  - g. Fan (Section 5.21)
  - h. System board (Section 5.22)

2. Turn the system board bottom side up with the rear panel facing forward.
3. Remove the PM2.0 × 4.5 screw ❶ that secures the modem ground cable to the system board (Figure 5-46).
4. Disconnect the modem cable ❷ from the system board.
5. Remove the cable from the clips ❸ on the system board.



**Figure 5-46. Removing the Modem Cable**

Reverse the preceding procedures to install the modem cable.

# 6

---

## Specifications

This chapter provides physical and performance specifications.

---

**Table 6-1**  
**Notebook**

---

**Dimensions**

Height	3.94 cm	1.55 in
Width	32.74 cm	12.89 in
Depth	26.75 cm	10.53 in

---

**Weight (varies by notebook configuration)**

with 15.1-inch display and Intel Pentium 4 processor	3.22 kg	7.09 lb
with 14.1-inch display and Intel Pentium 4 processor	3.09 kg	6.82 lb
with 15.1-inch display and Intel Celeron processor	3.12 kg	6.87 lb
with 15.1-inch display and Intel Celeron processor	2.99 kg	6.60 lb

---



---

**Table 6-1**  
**Notebook (Continued)**

---

**Stand-alone power requirements**

Nominal operating voltage	14.4 V (8 cell)
Average operating power	29.7 W desktop
Peak operating power	80 W on AC, 55 W on DC
Power in Suspend mode	< 1000 mW
Power in Hibernation mode	< 100 mW

---

**Temperature**

Operating	10° to 35° C	50° to 95° F
Nonoperating	-10° to 60° C	14° to 140° F

---

**Relative humidity** (noncondensing)

Operating	10% to 90%
Nonoperating	5% to 90%, 38.7° C (101.6° F) maximum wet bulb temperature

---

**Table 6-1**  
**Notebook (Continued)**

**Altitude** (unpressurized)

Operating	0 to 3,048 m	0 to 10,000 ft
Nonoperating	0 to 9,144 m	0 to 30,000 ft

**Shock**

Operating	10 G, 11 ms, half-sine
Nonoperating	60 G, 11 ms, half-sine

**Vibration**

Operating	0.5 G zero-to-peak, 10 to 500 Hz, 0.25 oct/min sweep rate
Nonoperating	1.0 G zero-to-peak, 10 to 500 Hz, 0.5 oct/min sweep rate



Applicable product safety standards specify thermal limits for plastic surfaces. The computer operates well within this range of temperatures.

---

**Table 6-2**  
**15.0-inch SXGA+, TFT Display**

---

**Dimensions**

Height	22.86 cm	9.00 in
Width	29.97 cm	11.80 in
Diagonal	38.10 cm	15.00 in

---

**Number of colors** Up to 16.8 million

---

**Contrast ratio** 150:1

---

**Brightness** 150 nit typical

---

**Pixel resolution**

Pitch	0.264 × 0.264 mm
Format	1400 × 1050
Configuration	RGB stripe

---

**Backlight** Edge lit

---

**Character display** 80 × 25

---

**Total power consumption** 5.75 W

---

---

**Table 6-3**  
**15.0-inch XGA, TFT Display**

---

<b>Dimensions</b>		
Height	22.86 cm	9.00 in
Width	29.97 cm	11.80 in
Diagonal	38.10 cm	15.00 in
<b>Number of colors</b>	Up to 16.8 million	
<b>Contrast ratio</b>	150:1	
<b>Brightness</b>	120+ nit typical	
<b>Pixel resolution</b>		
Pitch	0.297 × 0.297 mm	
Format	1024 × 768	
Configuration	RGB stripe	
<b>Backlight</b>	Edge lit	
<b>Character display</b>	80 × 25	
<b>Total power consumption</b>	5.00 W	

---

---

**Table 6-4**  
**14.1-inch XGA, TFT Display**

---

**Dimensions**

Height	28.50 mm	11.22 in
Width	21.49 mm	8.46 in
Diagonal	35.81 mm	14.1 in

---

**Number of colors** Up to 16.8 million

---

**Contrast ratio** 150:1

---

**Brightness** 120 nits typical

---

**Pixel resolution**

Pitch	0.264 × 0.264 mm
Format	1024 × 768
Configuration	RGB stripe

---

**Backlight** Edge lit

---

**Character display** 80 × 25

---

**Total power consumption** 4.2 W

---

**Table 6-5  
Hard Drives**

	<b>40 GB</b>	<b>30 GB</b>	<b>20 GB</b>
<b>User capacity per drive<sup>1</sup></b>	40.0 GB	30.0 GB	20.0 GB
<b>Drive height</b>	9.5 mm	9.5 mm	9.5 mm
<b>Drive width</b>	70 mm	70 mm	70 mm
<b>Interface type</b>	ATA-5	ATA-5	ATA-5
<b>Seek times</b> (typical read, including setting)			
Single track	3 ms	3 ms	3 ms
Average	13 ms	13 ms	13 ms
Full stroke	24 ms	24 ms	24 ms
<b>Logical blocks<sup>3</sup></b>	78,140,160	58,605,120	39,070,080
<b>Logical configuration</b>			
Cylinders	16,683	16,683	16,683
Heads	16	16	16
Sectors per track	63	63	63

<sup>1</sup> 1 GB = 1,073,741,824 bytes.

<sup>3</sup> Actual drive specifications may differ slightly.

Certain restrictions and exclusions apply. Consult the Compaq Customer Support Center for details.

**Table 6-5  
Hard Drives (Continued)**

	<b>40 GB</b>	<b>30 GB</b>	<b>20 GB</b>
<b>Physical configuration</b>			
Cylinders <sup>3</sup>	22,784	25,800	22,784
Heads	4	2	4
Sectors per track <sup>3</sup>	293 to 560	398 to 731	293 to 560
Bytes per sector	512	512	512
<b>Buffer size<sup>3</sup></b>	2 MB	512 KB	512 KB
<b>Disk rotational speed</b>	4200 rpm	4200 rpm	4200 rpm
<b>Transfer rate</b>			
Interface max (MB/s) <sup>2</sup>	66.6	100	66.6
Media (Mb/s) <sup>3</sup>	109 to 203	155 to 256	109 to 203

<sup>2</sup> System capability may differ.

<sup>3</sup> Actual drive specifications may differ slightly.

Certain restrictions and exclusions apply. Consult the Compaq Customer Support Center for details.

---

---

**Table 6-6**  
**Diskette Drive**

---

<b>Diskette size</b>	3.5 inch
<b>Activity indicator</b>	On system
<b>Height</b>	12.7 mm (0.5 in)
<b>Bytes per sector</b>	512
<b>Sectors per track</b>	
High density	18 (1.44 MB)
Low density	9
<b>Tracks per side</b>	
High density	80
Low density	80
<b>Read/write heads</b>	2
<b>Average seek times</b>	
Track-to-track (high/low)	3 to 6 ms
Average (high/low)	95 to 174 ms
Settling time	15 ms
Latency average	100 ms

---



**Table 6-7**  
**DVD-ROM Drive**

---

<b>Applicable disk</b>	DVD-5, DVD-9, DVD-10 CD-ROM (Mode 1 and 2) CD Digital Audio CD-XA ready (Mode 2, Form 1 and 2) CD-I ready (Mode 2, Form 1 and 2) CD-R (read only) CD Plus Photo CD (single/multisession) CD-Bridge	
<b>Center hole diameter</b>	1.5 cm	.59 in
<b>Disk diameter</b>	12 cm, 8 cm	
<b>Disk thickness</b>	1.2 mm	.047 in
<b>Track pitch</b>	.74 $\mu$ m	
<b>Access time</b> (typical reads, including setting)		
Random (DVD media)	< 125 ms	
Full stroke (DVD media)	< 225 ms	
Random (CD media)	< 100 ms	
Full stroke (CD media)	< 175 ms	
<b>Audio output level</b>	Line-out, 0.7 to 0.9 Vrms	
<b>Cache buffer</b>	512 KB	
<b>Data transfer rate</b> (typical, including setting)		
Max 24X CD	3600 KB/s (150 KB/s at 1X CD rate)	
Max 8X DVD	10,800 KB/s (1352 KB/s at 1X DVD rate)	
<b>Startup time</b>	< 12 seconds (typical)	
<b>Stop time</b>	< 3 seconds	

---

**Table 6-8**  
**DVD-RW Drive**

<b>Applicable disk</b>	DVD-5, DVD-9, DVD-10 CD-ROM (Mode 1 and 2) CD Digital Audio CD-XA ready (Mode 2, Form 1 and 2) CD-I ready (Mode 2, Form 1 and 2) CD-R (read only) CD Plus Photo CD (single/multisession) CD-Bridge	
<b>Center hole diameter</b>	1.5 cm	.59 in
<b>Disk diameter</b>	12 cm, 8 cm	
<b>Disk thickness</b>	1.2 mm	.047 in
<b>Track pitch</b>	1.60 $\mu$ m	
<b>Access time</b>		
Random	< 120 ms	
Full stroke	< 175 ms	
<b>Audio output level</b>	Line-out, 0.7 to 0.9 Vrms	
<b>Cache buffer</b>	2 MB	
<b>Data transfer rate</b>		
CD-R (8X)	1200 KB/s (150 KB/s at 1X CD rate)	
CD-RW (8X)	1200 KB/s (150 KB/s at 1X CD rate)	
CD-ROM (24X)	3600 KB/s (150 KB/s at 1X CD rate)	
DVD (8X)	10,800 KB/s (1352 KB/s at 1X DVD rate)	
Normal PIO Mode 4 (single burst)	16.6 MB/s	
<b>Startup time</b>		
Single	< 7 seconds (typical)	
Multi-session	< 30 seconds (typical)	
<b>Stop time</b>	< 3 seconds	

**Table 6-9  
CD-ROM Drive**

<b>Applicable disk</b>	CD-ROM (Mode 1, 2, and 3) CD-XA ready (Mode 2, Form 1 and 2) CD-I ready (Mode 2, Form 1 and 2) CD-R (read only) CD Plus Photo CD (single/multisession) CD-Extra Video CD CD-WO (fixed packets only) CD-Bridge	
<b>Center hole diameter</b>	1.5 cm	.59 in
<b>Disk diameter</b>	12 cm, 8 cm	
<b>Disk thickness</b>	1.2 mm	.047 in
<b>Track pitch</b>	1.6 $\mu$ m	
<b>Access time</b>		
Random	< 150 ms	
Full stroke	< 300 ms	
<b>Cache buffer</b>	128 KB	
<b>Data transfer rate</b>		
Sustained, 16X	150 KB/s at 1X	
Variable	1500 to 3600 KB/s (10X to 24X)	
Normal PIO Mode 4 (single burst)	16.66 KB/s	
<b>Startup time</b>	< 8 seconds	
<b>Stop time</b>	< 4 seconds	

**Table 6-10**  
**CD-RW Drive**

<b>Center hole diameter</b>	1.5 cm	.59 in
<b>Disk diameter</b>	12 cm, 8 cm	
<b>Disk thickness</b>	1.2 mm	.047 in
<b>Track pitch</b>	.74 $\mu$ m	
<b>Access time</b>		
Random	< 150 ms	
Full stroke	< 225 ms	
<b>Audio output level</b>	Line-out, 0.7 Vrms	
<b>Cache buffer</b>	128 KB	
<b>Data transfer rate</b>		
Sustained, 16X	150 KB/s	
Sustained, 4X CD-RW	5,520 KB/s	
Normal PIO Mode 4 (single burst)	16.6 MB/s	
<b>Startup time</b>	< 15 seconds	
<b>Stop time</b>	< 6 seconds	

---

**Table 6-11**  
**External AC Adapter**

---

<b>Weight</b>	.85 lb	.39 kg
---------------	--------	--------

---

**Power supply**

Operating watts	90 W
Operating voltage	110 to 240 VAC RMS
Operating current	1.5 A RMS
Operating frequency range	50 to 60 Hz AC

---

---

**Table 6-12**  
**8-cell, Li ion Battery Pack**

---

**Dimensions**

Length	12.57 cm	4.95 in
Width	8.79 cm	3.46 in
Depth	2.03 cm	0.80 in
Weight	.44 kg	0.96 lb

---

**Energy**

Voltage	14.8 V
Amp-hour capacity	minimum 3.7 Ah, typical 3.9 Ah
Watt-hour capacity	minimum 53.2 Ah, typical 56.1 Ah

---


**Temperature**

Operating	0 to 42° C	32 to 108° F
Nonoperating	0 to 60° C	32 to 140° F

---

**Table 6-13**  
**System DMA**

<b>Hardware DMA</b>	<b>System Function</b>
DMA0	Available for audio
DMA1	Entertainment audio (default; alternate = DMA0, DMA3, none)
DMA2	Diskette drive
DMA3	ECP parallel port LPT1 (default; alternate = DMA0, none)
DMA4	DMA controller cascading (not available)
DMA5	Available for PC Card
DMA6	Not assigned
DMA7	Not assigned

 PC Card controller can use DMA 1, 2, or 5.

---

**Table 6-14**  
**System Interrupts**

---

<b>Hardware IRQ</b>	<b>System Function</b>
IRQ0	System timer
IRQ1	Keyboard controller
IRQ2	Cascaded
IRQ3	COM2
IRQ4	COM1
IRQ5	Audio (default)*
IRQ6	Diskette drive
IRQ7	Parallel port
IRQ8	Real time clock (RTC)
IRQ9	Infrared
IRQ10	System use
IRQ11	System use
IRQ12	Internal point stick or external mouse
IRQ13	Coprocessor (not available to any peripheral)
IRQ14	IDE interface (hard drive and optical drive)
IRQ15	System use



PC Cards may assert IRQ3, IRQ4, IRQ5, IRQ7, IRQ9, IRQ10, IRQ11, or IRQ15. Either the infrared or the serial port may assert IRQ3 or IRQ4.

---

\*Default configuration; audio possible configurations are IRQ5, IRQ7, IRQ9, IRQ10, or none.

---

**Table 6-15**  
**System I/O Addresses**

<b>I/O Address (hex)</b>	<b>System Function (shipping configuration)</b>
000 - 00F	DMA controller no. 1
010 - 01F	Unused
020 - 021	Interrupt controller no. 1
022 - 024	Opti chipset configuration registers
025 - 03F	Unused
02E - 02F	87334 "Super IO" configuration for CPU
040 - 05F	Counter/timer registers
044 - 05F	Unused
060	Keyboard controller
061	Port B
062 - 063	Unused
064	Keyboard controller
065 - 06F	Unused
070 - 071	NMI enable/real time clock
072 - 07F	Unused
080 - 08F	DMA page registers
090 - 091	Unused
092	Port A
093 - 09F	Unused
0A0 - 0A1	Interrupt controller no. 2



---

**Table 6-15**  
**System I/O Addresses (*Continued*)**

---

<b>I/O Address (hex)</b>	<b>System Function (shipping configuration)</b>
0A2 - 0BF	Unused
0C0 - 0DF	DMA controller no. 2
0E0 - 0EF	Unused
0F0 - 0F1	Coprocessor busy clear/reset
0F2 - 0FF	Unused
100 - 16F	Unused
170 - 177	Secondary fixed disk controller
178 - 1EF	Unused
1F0 - 1F7	Primary fixed disk controller
1F8 - 200	Unused
201	Joystick (decoded in ESS1688)
202 - 21F	Unused
220 - 22F	Entertainment audio
230 - 26D	Unused
26E - 26	Unused
278 - 27F	Unused
280 - 2AB	Unused
2A0 - 2A7	Unused
2A8 - 2E7	Unused
2E8 - 2EF	Reserved serial port

---

**Table 6-15**  
**System I/O Addresses (*Continued*)**

<b>I/O Address (hex)</b>	<b>System Function (shipping configuration)</b>
2F0 - 2F7	Unused
2F8 - 2FF	Infrared port
300 - 31F	Unused
320 - 36F	Unused
370 - 377	Secondary diskette drive controller
378 - 37F	Parallel port (LPT1/default)
380 - 387	Unused
388 - 38B	FM synthesizer - OPL3
38C - 3AF	Unused
3B0 - 3BB	VGA
3BC - 3BF	Reserved (parallel port/no EPP support)
3C0 - 3DF	VGA
3E0 - 3E1	PC Card controller in CPU
3E2 - 3E3	Unused
3E8 - 3EF	Internal modem
3F0 - 3F7	"A" diskette controller
3F8 - 3FF	Serial port (COM1/default)
CF8 - CFB	PCI configuration index register (PCIDIVO-1)
CFC - CFF	PCI configuration data register (PCIDIVO-1)

---

**Table 6-16**  
**System Memory Map**

---

<b>Size</b>	<b>Memory Address</b>	<b>System Function</b>
640 KB	00000000 - 0009FFFF	Base memory
128 KB	000A0000 - 000BFFFF	Video memory
48 KB	000C0000 - 000CBFFF	Video BIOS
160 KB	000C8000 - 000E7FFF	Unused
64 KB	000E8000 - 000FFFFF	System BIOS
15 MB	00100000 - 00FFFFFF	Extended memory
58 MB	01000000 - 047FFFFF	Super extended memory
58 MB	04800000 - 07FFFFFF	Unused
2 MB	08000000 - 080FFFFF	Video memory (direct access)
4 GB	08200000 - FFFEFFFF	Unused
64 KB	FFFF0000 - FFFFFFFF	System BIOS

---

# A

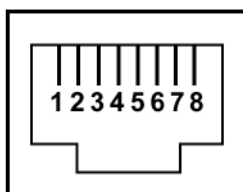
---

## Connector Pin Assignments

---

**Table A-1**  
**RJ-45 Network Interface**

---



---

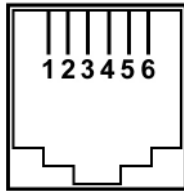
<b>Pin</b>	<b>Signal</b>	<b>Pin</b>	<b>Signal</b>
1	Transmit +	5	Unused
2	Transmit -	6	Receive -
3	Receive +	7	Unused
4	Unused	8	Unused

---

---

**Table A-2**  
**RJ-11 Modem**

---



---

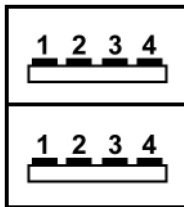
Pin	Signal	Pin	Signal
1	Unused	4	Unused
2	Tip	5	Unused
3	Ring	6	Unused

---

---

**Table A-3**  
**Universal Serial Bus**

---



---

Pin	Signal	Pin	Signal
1	+5 VDC	3	Data +
2	Data -	4	Ground

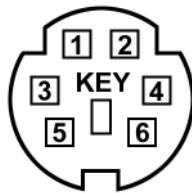
---

**Table A-4**  
**S-Video**



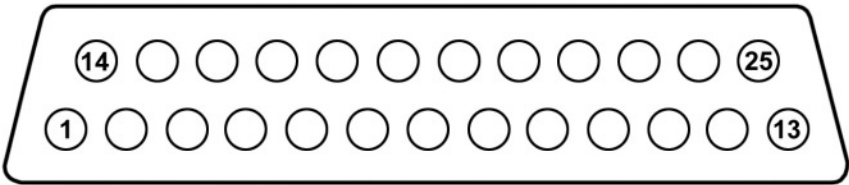
Pin	Signal	Pin	Signal
1	Ground (Y)	3	Y-Luminance (Intensity)
2	Ground (C)	4	C-Chrominance (Color)

**Table A-5**  
**External Keyboard/Mouse**



Pin	Signal	Pin	Signal
1	Keyboard/mouse DATA	4	+5 VDC
2	Keyboard/mouse DATA	5	Keyboard/mouse CLK
3	Ground	6	Keyboard/mouse CLK

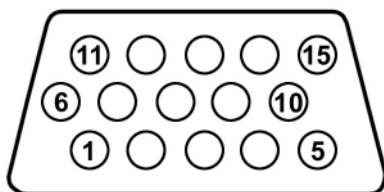
**Table A-6**  
**Parallel**



Pin	Signal	Pin	Signal
1	Strobe*	10	Acknowledge*
2	Data bit 0	11	Busy
3	Data bit 1	12	Paper out
4	Data bit 2	13	Select
5	Data bit 3	14	Auto line feed*
6	Data bit 4	15	Error*
7	Data bit 5	16	Initialize printer*
8	Data bit 6	17	Select in*
9	Data bit 7	18-25	Signal ground

\*Signal is active low.

**Table A-7**  
**External Monitor**



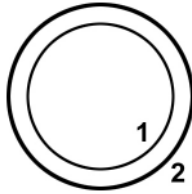
Pin	Signal	Pin	Signal
1	Red analog	9	+5 VDC
2	Green analog	10	Ground
3	Blue analog	11	Monitor detect
4	Not connected	12	DDC 2B data
5	Ground	13	Horizontal sync
6	Ground analog	14	Vertical sync
7	Ground analog	15	DDC 2B clock
8	Ground analog		



---

**Table A-8**  
**Stereo Speaker/Headphone**

---



---

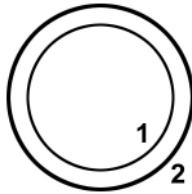
Pin	Signal	Pin	Signal
1	Audio out	2	Ground

---

---

**Table A-9**  
**Microphone**

---



---

Pin	Signal	Pin	Signal
1	Audio in	2	Ground

---

---

## Power Cord Set Requirements

### 3-Conductor Power Cord Set

The wide range input feature of the notebook permits it to operate from any line voltage from 100 to 120 or 220 to 240 volts AC.

The power cord set received with the computer meets the requirements for use in the country where the equipment is purchased.

Power cord sets for use in other countries must meet the requirements of the country where the computer is used. For more information on power cord set requirements, contact a Compaq authorized reseller or service provider.

### General Requirements

The requirements listed below are applicable to all countries:

- The length of the power cord set must be at least 1.5 m (5.00 feet) and no more than 2.0 m (6.50 feet).
- All power cord sets must be approved by an acceptable accredited agency responsible for evaluation in the country where the power cord set will be used.
- The power cord set must have a minimum current capacity of 10 amperes and a nominal voltage rating of 125 or 250 volts AC, as required by each country's power system.
- The appliance coupler must meet the mechanical configuration of an EN 60 320/IEC 320 Standard Sheet C13 connector, for mating with the appliance inlet on the back of the computer.

# Country-Specific Requirements

---

## 3-Conductor Power Cord Set Requirements

---

<b>Country</b>	<b>Accredited Agency</b>	<b>Applicable Note Number</b>
Australia	EANSW	1
Austria	OVE	1
Belgium	CEBC	1
Canada	CSA	2
Denmark	DEMKO	1
Finland	FIMKO	1
France	UTE	1
Germany	VDE	1
Italy	IMQ	1
Japan	METI	3
The Netherlands	KEMA	1
Norway	NEMKO	1
Sweden	SEMKO	1
Switzerland	SEV	1

---

**3-Conductor Power Cord Set Requirements (Continued)**

Country	Accredited Agency	Applicable Note Number
United Kingdom	BSI	1
United States	UL	2

**Notes**

1. The flexible cord must be <HAR> Type HO5VV-F, 3-conductor, 1.0 mm<sup>2</sup> conductor size. The power cord set fittings (appliance coupler and wall plug) must bear the certification mark of the agency responsible for evaluation in the country where they will be used.
2. The flexible cord must be Type SPT-3 or equivalent, No. 18 AWG, 3-conductor. The wall plug must be a two-pole grounding type with a NEMA 5-15P (15 A, 125 V) or NEMA 6-15P (15 A, 250 V) configuration.
3. The appliance coupler, flexible cord, and wall plug must bear a "T" mark and registration number in accordance with the Japanese Dentori Law. The flexible cord must be Type VCT or VCTF, 3-conductor, 1.00 mm<sup>2</sup> conductor size. The wall plug must be a two-pole grounding type with a Japanese Industrial Standard C8303 (7 A, 125 V) configuration.

# C

---

## Screw Listing

This appendix provides specification and reference information for the screws used in the computer. All screws listed in this appendix are available in the Miscellaneous Screw Kit, spare part number 285542-001.

---

---

**Table C-1**  
**Torx T8 Metric 2.5 × 5.0 Screw**

---



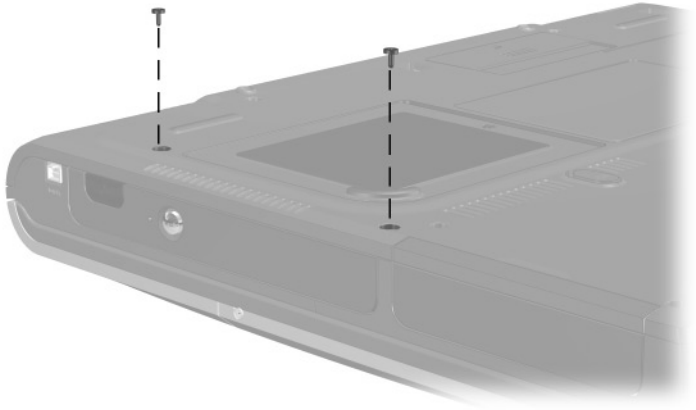
Color	Qty	Length	Thread	Head Width
Silver	30	5.0 mm	2.5 mm	5.0 mm

---

**Where used:**

Two screws that secure the optical drive to the computer  
(documented in Section 5.3)

---



**Figure C-1. TM2.5 × 5.0 Screw Locations**

---

---

**Table C-1**  
**Torx T8 Metric 2.5 × 5.0 Screw (Continued)**

---



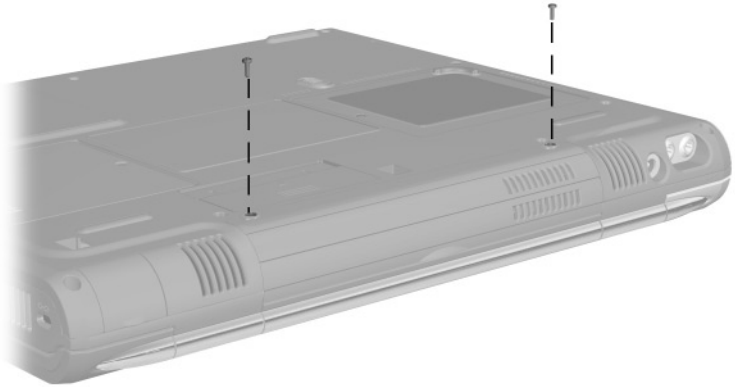
Color	Qty	Length	Thread	Head Width
Silver	30	5.0 mm	2.5 mm	5.0 mm

---

**Where used:**

Two screws that secure the connector cover to the base enclosure (documented in Section 5.8)

---



**Figure C-2. TM2.5 × 5.0 Screw Locations**

---

**Table C-1**  
**Torx T8 Metric 2.5 × 5.0 Screw (Continued)**

---

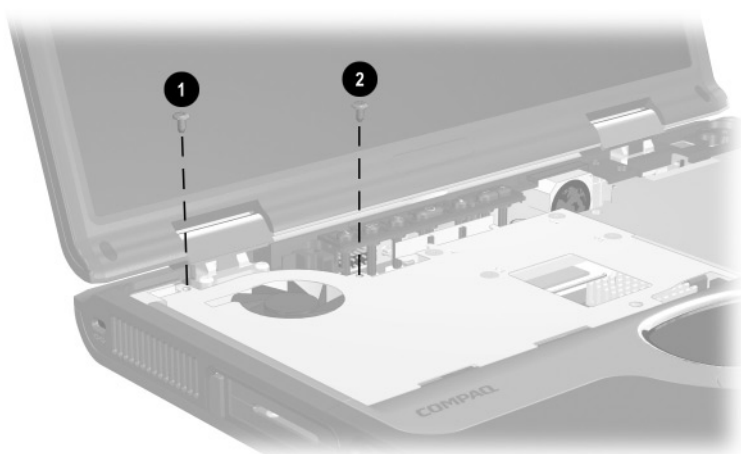


Color	Qty	Length	Thread	Head Width
Silver	30	5.0 mm	2.5 mm	5.0 mm

---

**Where used:**

- ❶ One screw that secures the heat spreader to the base enclosure (documented in Section 5.11)
  - ❷ One screw that secures the display video cable ground loop to the heat spreader (documented in Sections 5.11 and 5.13)
- 



**Figure C-3. TM2.5 × 5.0 Screw Locations**



---

**Table C-1**  
**Torx T8 Metric 2.5 × 5.0 Screw (Continued)**

---



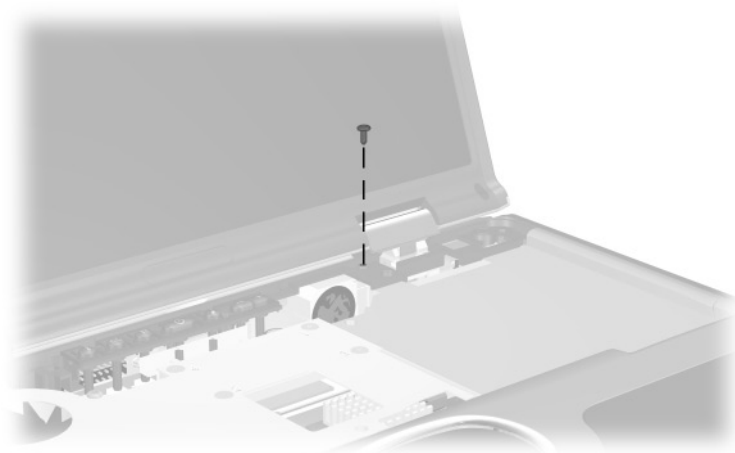
Color	Qty	Length	Thread	Head Width
Silver	30	5.0 mm	2.5 mm	5.0 mm

---

**Where used:**


One screw that secures the display inverter cable ground loop to the heat spreader (documented in Section 5.13)

---



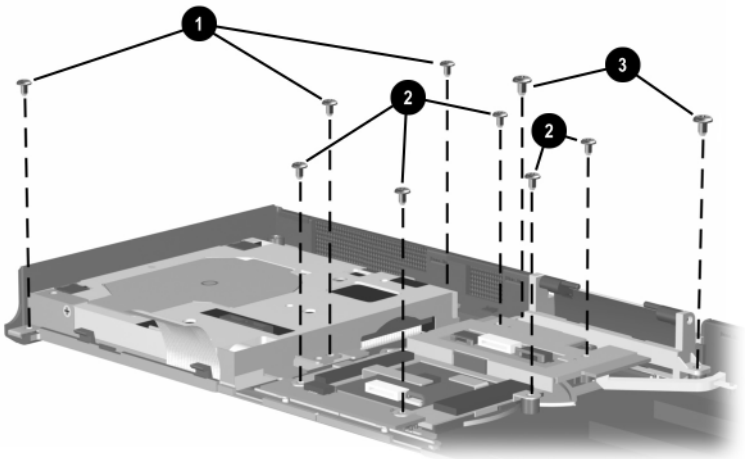
**Figure C-4. TM2.5 × 5.0 Screw Locations**

**Table C-1**  
**Torx T8 Metric 2.5 × 5.0 Screw (Continued)**

	Color	Qty	Length	Thread	Head Width
	Silver	30	5.0 mm	2.5 mm	5.0 mm

**Where used:**

- ❶ Three screws that secure the diskette drive to the palm rest (documented in Section 5.15)
- ❷ **TouchPad only models**—Four screws that secure the TouchPad components to the palm rest (documented in Section 5.16)
- ❷ **Dual Stick models**—Five screws that secure the TouchPad components to the palm rest (documented in Section 5.16)
- ❸ Two screws that secure the display release assembly to the palm rest (documented in Section 5.17)



**Figure C-5. TM2.5 × 5.0 Screw Locations**

---

**Table C-1**  
**Torx T8 Metric 2.5 × 5.0 Screw (Continued)**

---



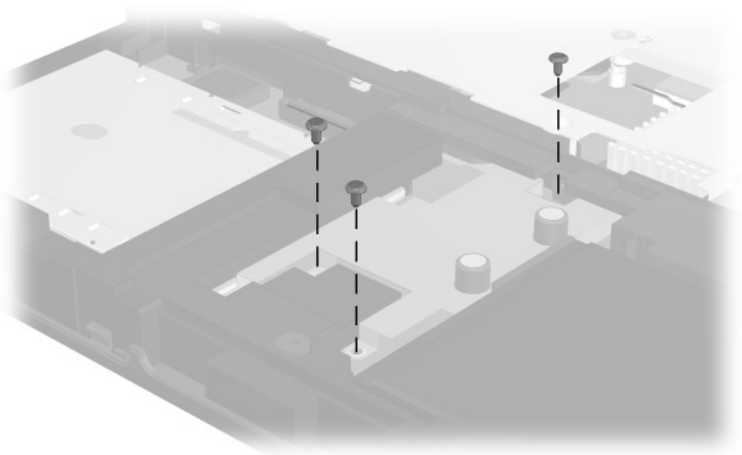
<b>Color</b>	<b>Qty</b>	<b>Length</b>	<b>Thread</b>	<b>Head Width</b>
Silver	30	5.0 mm	2.5 mm	5.0 mm

---

**Where used:**

Three screws that secure the charger board and shield to the base enclosure (documented in Section 5.18)

---



**Figure C-6. TM2.5 × 5.0 Screw Locations**

---

**Table C-1**  
**Torx T8 Metric 2.5 × 5.0 Screw (Continued)**

---



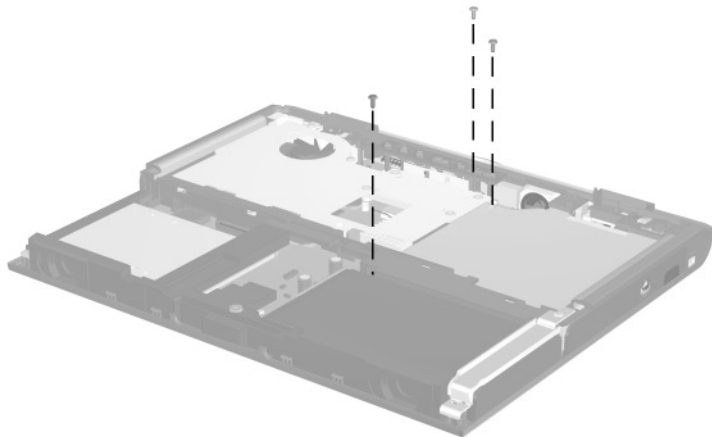
<b>Color</b>	<b>Qty</b>	<b>Length</b>	<b>Thread</b>	<b>Head Width</b>
Silver	30	5.0 mm	2.5 mm	5.0 mm

---

**Where used:**


Three screws that secure the top cover to the base enclosure (documented in Section 5.20)

---



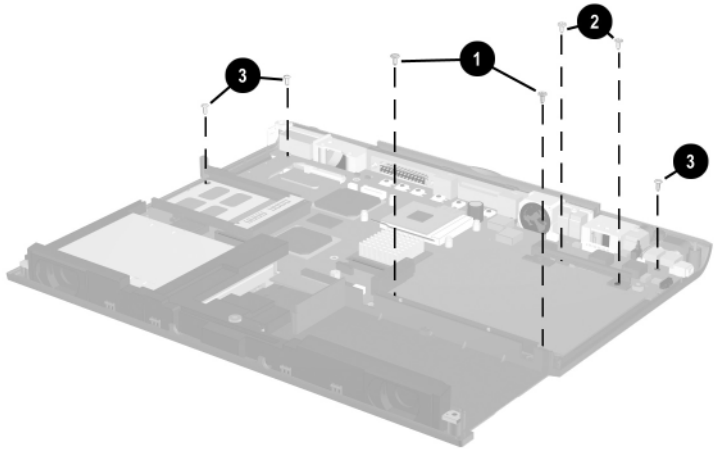
**Figure C-7. TM2.5 × 5.0 Screw Locations**

**Table C-1**  
**Torx T8 Metric 2.5 × 5.0 Screw (Continued)**

	Color	Qty	Length	Thread	Head Width
	Silver	30	5.0 mm	2.5 mm	5.0 mm

**Where used:**

- ❶ Two screws that secure the optical drive front alignment rail to the base enclosure (documented in Section 5.22)
- ❷ Two screws that secure the optical drive rear alignment rail to the base enclosure (documented in Section 5.22)
- ❸ Three screws that secure the system board to the base enclosure (documented in Section 5.22)



**Figure C-8. TM2.5 × 5.0 Screw Locations**

---

**Table C-2**  
**Torx T8 Metric 2.5 × 8.0 Screw**

---

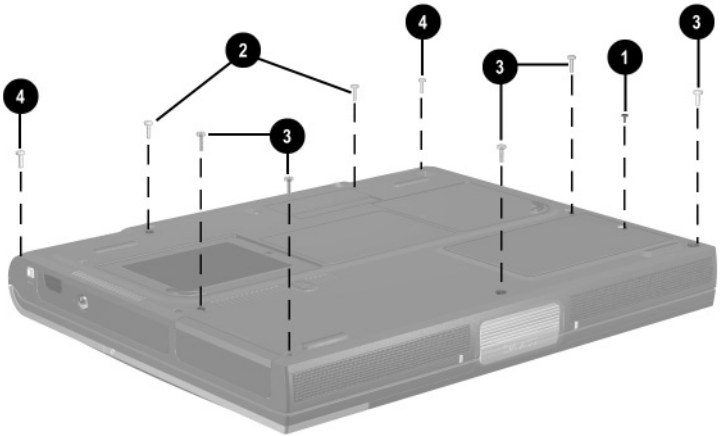


Color	Qty	Length	Thread	Head Width
Silver	11	8.0 mm	2.5 mm	4.0 mm

---

**Where used:**

- ❶ One screw that secures the hard drive to the base enclosure (documented in Section 5.3)
  - ❷ Two screws that secure the LED cover to the base enclosure (documented in Section 5.9)
  - ❸ Five screws that secure the palm rest to the base enclosure (documented in Section 5.14)
  - ❹ Two screws that secure the top cover to the base enclosure (documented in Section 5.20)
- 



**Figure C-9. TM2.5 × 8.0 Screw Locations**

---

---

**Table C-2**  
**Torx T8 Metric 2.5 × 8.0 Screw (Continued)**

---

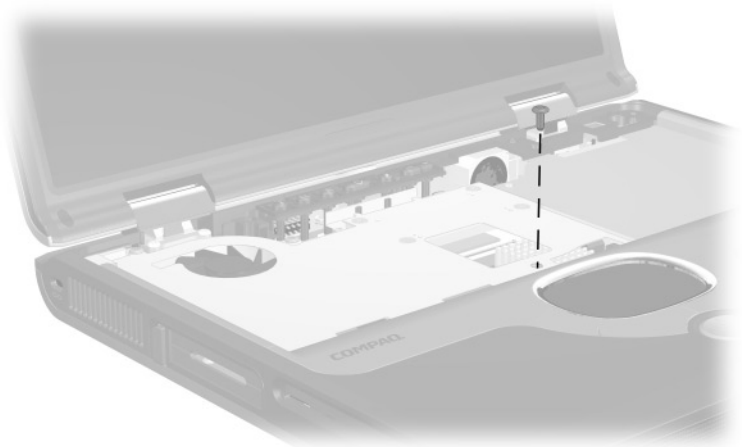


Color	Qty	Length	Thread	Head Width
Silver	11	8.0 mm	2.5 mm	4.0 mm

**Where used:**

One screw that secures the heat spreader to the base enclosure (documented in Section 5.11)

---




**Figure C-10. TM2.5 × 8.0 Screw Locations**

---

---

**Table C-3**  
**Phillips Metric 3.0 × 3.0 Screw**

---

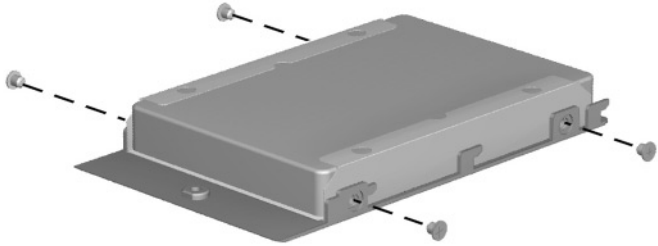
	Color	Qty	Length	Thread	Head Width
	Silver	4	3.0 mm	3.0 mm	5.0 mm

---

**Where used:**

Four screws that secure the hard drive to the hard drive bracket (documented in Section 5.3)

---



**Figure C-11. PM3.0 × 3.0 Screw Locations**



---

**Table C-4**  
**Phillips Metric 2.5 × 4.0 Screw**

---

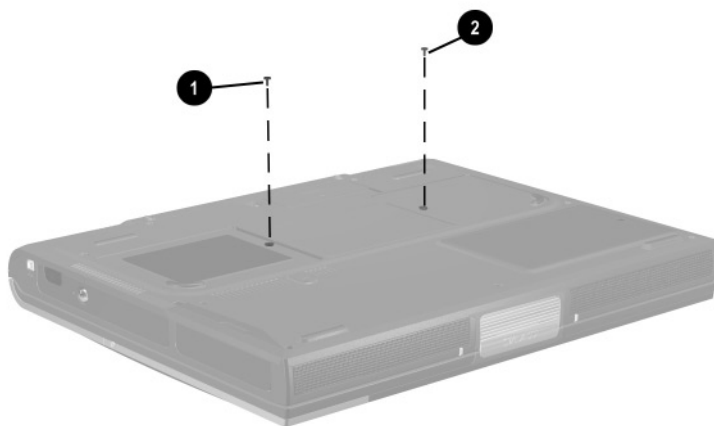


Color	Qty	Length	Thread	Head Width
Silver	2	4.0 mm	2.5 mm	5.0 mm

---

**Where used:**

- ❶ One screw that secures the memory expansion compartment cover to the base enclosure (documented in Section 5.5)
  - ❷ One screw that secures the mini PCI compartment cover to the base enclosure (documented in Section 5.6)
- 



**Figure C-12. PM2.5 × 4.0 Screw Locations**

---

**Table C-5**  
**Torx T8 Metric 2.5 × 14.0 Shoulder Screw**

---

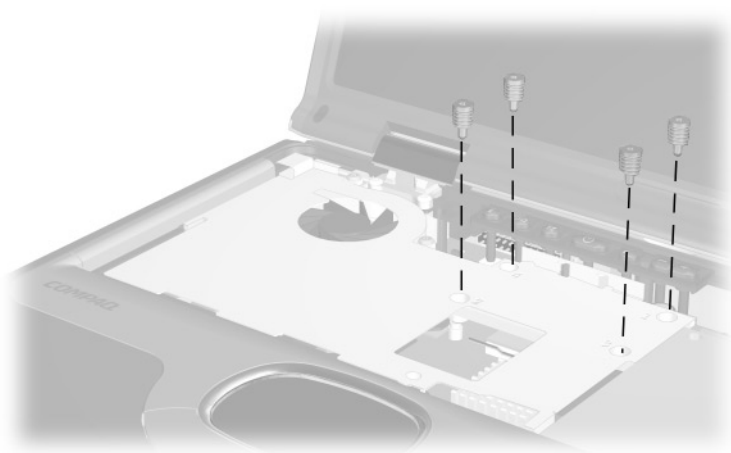


Color	Qty	Length	Thread	Head Width
Silver	4	14.0 mm	2.0 mm	6.0 mm

**Where used:**

Four screws that secure the heat spreader to the base enclosure (documented in Section 5.11)

---



**Figure C-13. TM2.5 × 14.0 Shoulder Screw Locations**

---

**Table C-6**  
**Torx T8 Metric 2.5 × 9.0 Screw**

---



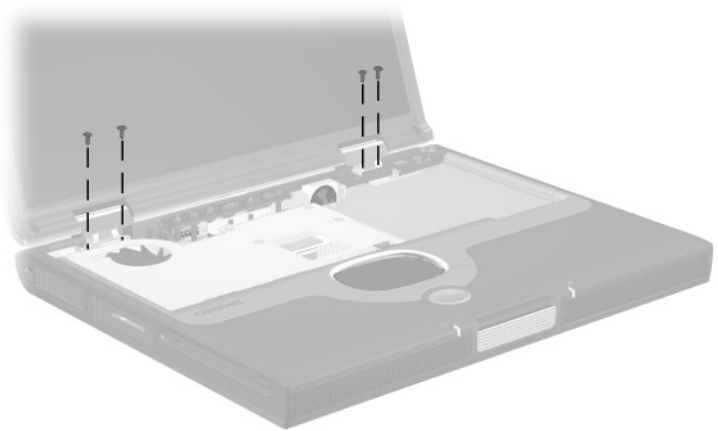
<b>Color</b>	<b>Qty</b>	<b>Length</b>	<b>Thread</b>	<b>Head Width</b>
Silver	4	9.0 mm	2.5 mm	5.0 mm

---

**Where used:**

Four screws that secure the display assembly to the base enclosure (documented in Section 5.13)

---



**Figure C-14. TM2.5 × 9.0 Screw Locations**

---

---

**Table C-7**  
**Phillips Metric 2.0 × 4.5 Screw**

---

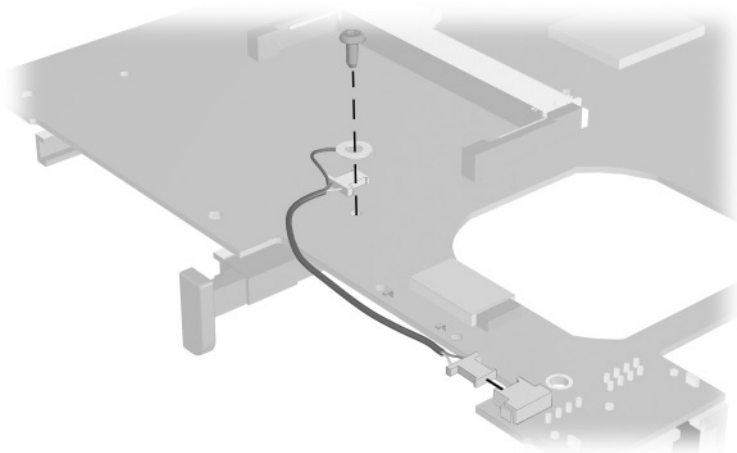


Color	Qty	Length	Thread	Head Width
Silver	1	4.5 mm	2.0 mm	4.0 mm

**Where used:**

One screw that secures the modem cable to the system board  
(documented in Section 5.23)

---



**Figure C-15. PM2.0 × 4.5 Screw Locations**

---

# Index

1394 jack 1–32

## A

AC adapter

- spare part numbers 3–24
- specifications 6–14

Advanced Port Replicator,

- spare part number 3–24
- audio troubleshooting 2–25

## B

base enclosure, spare part  
number 3–15

battery components

- bay 1–32, 1–40
- bezel
  - illustrated 3–18
  - removal 5–6

light 1–32, 1–38

pack

- removal 5–5
- spare part
  - numbers 3–17, 5–5
- release latch 1–40, 5–5
- specifications 6–14

battery, real time clock (RTC)

- removal 5–18
- spare part
  - number 3–17, 5–18

bottom components 1–39

## C

cables

- power cords 3–24, B–1
- service considerations 4–2

caps lock light 1–38

CD-ROM drive

- OS loading problems 2–24
- spare part number 3–17,  
3–23, 5–7
- specifications 6–12

CD-RW drive

- spare part number 3–17,  
3–23, 5–7
- specifications 6–13

Certificate of Authenticity

label 1–40

charger board

- removal 5–47
- spare part
  - number 3–13, 5–47

charger board shield 3–18

Common Port Replicator,

spare part number 3–24

Compaq Diagnostics 2–1, 2–7

components

- bottom 1–39
- front 1–31
- keyboard 1–35
- left side 1–33
- real panel 1–33

- right side 1–31
- top 1–37
- Computer Setup
  - Advanced Menu 2–5
  - File Menu 2–3
  - overview 2–1
  - Security Menu 2–4
- connector cover
  - illustrated 3–18
  - location 1–39
  - removal 5–19
- connector pin assignments
  - external monitor
    - connector A–5
  - headphone jack A–6
  - keyboard connector A–3
  - microphone jack A–6
  - modem connector A–2
  - monitor connector A–5
  - mouse connector A–3
  - network connector A–1
  - parallel connector A–4
  - RJ-11 jack A–2
  - RJ-45 jack A–1
  - speaker jack A–6
  - S-Video A–3
  - USB connector A–2
- connectors, service
  - considerations 4–2
- cursor control keys 1–36

**D**

- design overview 1–41
- diagnostics
  - configuration
    - information 2–7
    - test information 2–8
- digital audio button 1–38
- disassembly sequence
  - chart 5–3
- diskette drive 1–34
  - OS loading problems 2–23
  - removal 5–39
  - spare part numbers 3–11, 3–23, 5–39
  - specifications 6–9
- diskette drive cable
  - illustrated 3–20
  - removal 5–40
- display
  - illustrated 3–2
  - removal 5–30
  - spare part
    - numbers 3–3, 5–30
  - specifications 6–4, 6–5, 6–6
- display hinge cover
  - illustrated 3–18
  - removal 5–33
- display inverter board, spare
  - part number 3–3, 5–30
- display lid switch 1–38
- display release assembly
  - illustrated 3–18
  - removal 5–46
- display release latch 1–32
- DMA specifications 6–15

- docking connector 1–39
- docking station,
  - troubleshooting 2–18
- drive indicator light 1–38
- drives, preventing damage 4–3
- DVD-ROM drive
  - OS loading problems 2–24
  - spare part number 3–17,  
3–23, 5–7
  - specifications 6–10, 6–11
- E**
- Easy Access Buttons 1–37
- EasyScroll 1–38
- electrostatic discharge
  - 4–4, 4–7
- embedded numeric keypad 1–36
- external monitor connector
  - location 1–34
  - pin assignments A–5
- F**
- fan
  - location 1–34
  - removal 5–54
  - spare part
    - number 3–13, 5–54
- features 1–27
- feet
  - illustrated 3–18
  - locations 5–13
- Fn key 1–36
- front components 1–31
- function keys 1–35
- G**
- grounding equipment and methods 4–6
- H**
- hard drive
  - OS loading problems 2–20
  - removal 5–10
  - spare part
    - numbers 3–23, 5–10
    - specifications 6–7
- hard drive bay 1–40
- hard drive bracket
  - illustrated 3–18
  - removal 5–12
- hard drive retention screw 1–40
- headphone jack
  - location 1–33
  - pin assignments A–6
- heat spreader
  - removal 5–25
  - spare part
    - numbers 3–11, 5–25
- I**
- I/O address
  - specifications 6–17
- illustrated parts catalog 3–1
- infrared port 1–32
- interrupt specifications 6–16

## **K**

- keyboard
  - illustrated 3–2
  - removal 5–22
  - spare part
    - numbers 3–7, 5–22
  - troubleshooting 2–28
- keyboard components 1–35
- keyboard connector
  - location 1–34
  - pin assignments A–3
- keyboard-to-TouchPad cable
  - disconnecting from the keyboard 5–24
  - disconnecting from the TouchPad 5–38
  - illustrated 3–20

## **L**

- LED cover
  - illustrated 3–2
  - removal 5–20
  - spare part number 5–20
- left side components 1–33
- Logo Kit, spare part number 3–24

## **M**

- mass storage devices 3–22
- memory expansion board
  - removal 5–13
  - spare part numbers 3–17
- memory expansion compartment 1–40

- memory expansion compartment cover
  - illustrated 3–18
  - removal 5–14
- memory map
  - specifications 6–20
- microphone 1–38
  - illustrated 3–20
  - removal 5–52
- microphone jack
  - location 1–33
  - pin assignments A–6
- mini PCI board
  - removal 5–15
  - spare part numbers 3–17, 5–15
- mini PCI compartment 1–40
- mini PCI compartment cover
  - illustrated 3–18
  - removal 5–16
- Miscellaneous Cable Kit
  - components 3–20
  - spare part number 3–9, 3–21
- Miscellaneous Plastics/Hardware Kit
  - components 3–18
  - spare part number 3–5, 3–19
- models 1–2
- modem
  - removal 5–15
  - spare part numbers 3–17, 5–15
  - troubleshooting 2–30



- modem cable
  - illustrated 3–20
  - removal 5–60
- modem connector
  - location 1–34
  - pin assignments A–2
- monitor connector
  - location 1–34
  - pin assignments A–5
- mouse connector
  - location 1–34
  - pin assignments A–3
- N**
- network connector
  - location 1–34
  - pin assignment A–1
- network, troubleshooting 2–30
- nonfunctioning device,
  - troubleshooting 2–18, 2–27
- notebook specifications 6–1
- num lock key 1–35
- num lock light 1–37
- numeric keypad 1–36
- O**
- operating system loading,
  - troubleshooting 2–19
- optical drive
  - location 1–32
  - removal 5–7
  - spare part numbers 3–17, 3–23, 5–7
- optical drive alignment rail
  - illustrated 3–18
  - removal 5–57
- P**
- packing precautions 4–4
- palm rest
  - removal 5–35
  - spare part numbers 3–9, 5–35
- parallel connector
  - location 1–34
  - pin assignments A–4
- parts catalog 3–1
- password, clearing 1–29
- PC Card eject button 1–34
- PC Card slot 1–34
- PC Card slot space saver 3–18
- plastic parts 4–2
- pointing device,
  - troubleshooting 2–29
- pointing stick board,
  - removal 5–45
- pointing stick
  - board-to-TouchButton board cable
    - illustrated 3–20
    - removal 5–44
- port replicator, spare part numbers 3–24
- power button 1–38
- power cord, spare part numbers 3–24
- power jack 1–33
- power light 1–37
- power management
  - features 1–30
- power, troubleshooting 2–12
- power/Standby light
  - 1–31, 1–38

- processor
  - removal 5–28
  - spare part numbers 3–13, 5–28

## R

- real time clock (RTC) battery
  - removal 5–18
  - spare part number 3–17, 5–18
- rear panel components 1–33
- removal and replacement
  - preliminaries 4–1
  - procedures 5–1
- right side components 1–31
- RJ-11 jack
  - location 1–34
  - pin assignments A–2
- RJ-45 jack
  - location 1–34
  - pin assignments A–1
- RTC battery
  - removal 5–18
  - spare part number 3–17, 5–18

## S

- Screw Kit, spare part
  - number 3–24
- security cable slot 1–34
- serial number 1–40, 3–1, 5–2
- service considerations 4–2
- speaker assembly

- removal 5–48
- spare part number 3–13, 5–48
- speaker jack
  - location 1–33
  - pin assignments A–6
- speakers 1–31
- specifications
  - AC adapter 6–14
  - battery 6–14
  - CD-ROM drive 6–12
  - CD-RW drive 6–13
  - diskette drive 6–9
  - display 6–4, 6–5, 6–6
  - DMA 6–15
  - DVD-ROM drive 6–10, 6–11
  - hard drive 6–7
  - I/O addresses 6–17
  - interrupts 6–16
  - memory map 6–20
  - notebook 6–1
- static shielding materials 4–7
- stereo speaker jack
  - location 1–33
  - pin assignments A–6
- S-Video connector
  - location 1–34
  - pin assignments A–3
- system board
  - removal 5–56
  - spare part number 5–56

- system board-to-TouchButton board cable
  - disconnecting from the system board 5–53
  - disconnecting from the TouchButton board 5–37
  - illustrated 3–20
- system memory map 6–20
- T**
- tools required 4–1
- top components 1–37
- top cover
  - removal 5–50
  - spare part number 3–9, 5–50
- TouchButton board, removal 5–43, 5–45
- TouchButton board-to-TouchPad cable
  - illustrated 3–20
  - removal 5–42, 5–44
- TouchPad
  - location 1–38
  - removal 5–41, 5–43
- TouchPad bracket
  - illustrated 3–18
  - removal 5–43, 5–45
- TouchPad buttons 1–38
- transporting precautions 4–4
- troubleshooting
  - audio 2–25
  - Compaq Diagnostics 2–7
  - Computer Setup 2–2
  - docking station 2–18
  - flowcharts 2–10
  - keyboard 2–28
  - modem 2–30
  - network 2–30
  - nonfunctioning device 2–18, 2–27
  - operating system
    - loading 2–19
  - overview 2–1
  - pointing device 2–29
  - power 2–12
  - video 2–16
- U**
- universal serial bus (USB)
  - connector
    - location 1–34
    - pin assignments A–2
- V**
- vents 1–34
- video troubleshooting 2–16
- volume control buttons 1–38
- W**
- Windows application
  - key 1–36
- Windows logo key 1–36
- workstation precautions 4–5

## Free Manuals Download Website

<http://myh66.com>

<http://usermanuals.us>

<http://www.somanuals.com>

<http://www.4manuals.cc>

<http://www.manual-lib.com>

<http://www.404manual.com>

<http://www.luxmanual.com>

<http://aubethermostatmanual.com>

Golf course search by state

<http://golfingnear.com>

Email search by domain

<http://emailbydomain.com>

Auto manuals search

<http://auto.somanuals.com>

TV manuals search

<http://tv.somanuals.com>