

RANGE COMPOSITION

The range consists of 5 sinks, with all-round apron panelling, 700, 1200 or 1400 mm in length, and with a single bowl.



132346 with accessory

700/1400 MM

SINGLE BOWL SINKS ON LEGS **ZANUSSI** PROFESSIONAL

FUNCTIONAL AND CONSTRUCTION FEATURES

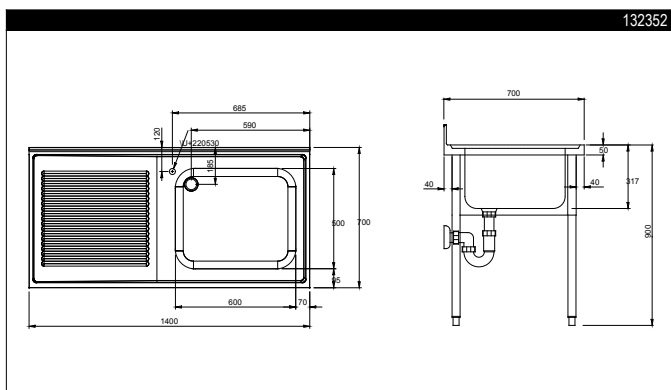
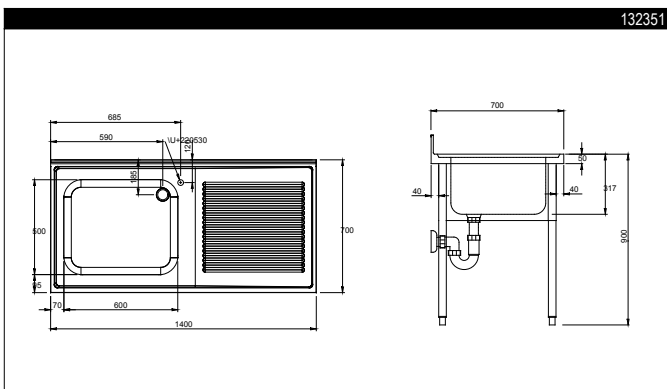
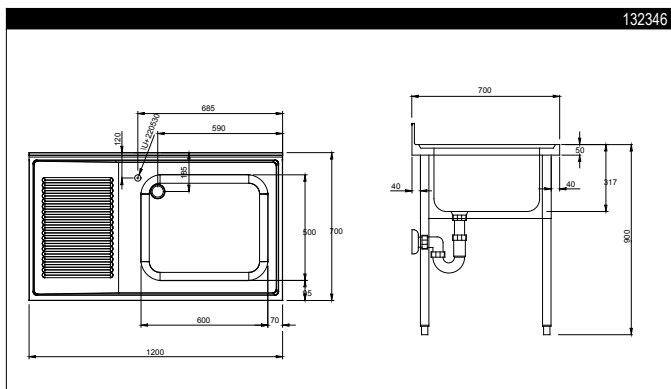
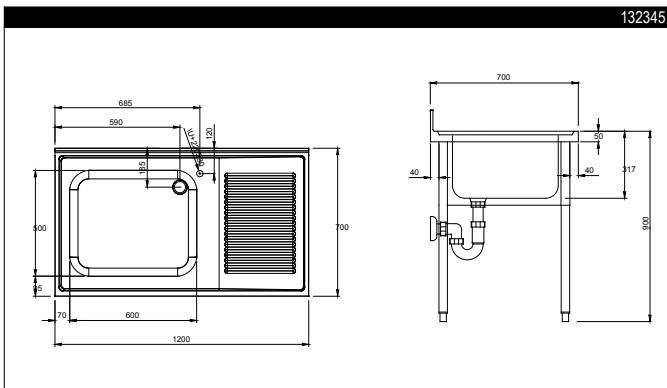
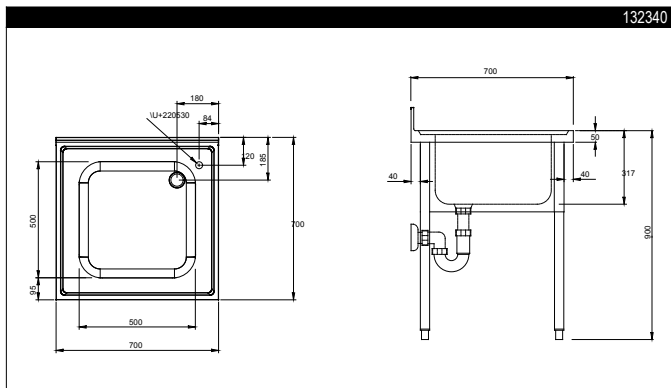
- ◆ Worktop in 10/10, 304 AISI stainless steel, 50 mm in thickness and with overflow rim along the top.
- ◆ Sink bowl in 304 AISI stainless steel, supplied as standard with an overflow pipe and a drain hole.
- ◆ Rear splashback with 8 mm rounded corner, 100 mm in height and 13 mm deep.
- ◆ Square section legs with 1"

height-adjustable (40 mm) feet in 304 AISI stainless steel to guarantee perfect alignment with other food preparation units.

- ◆ Quick and easy installation as the sink tops are slotted onto the legs and the taps are easily installed from the rear.
- ◆ Accessories available on request: lower shelf, tap unit, false bowl bottom, overflow filter, single or double syphons.

- ◆ A 40 mm thick lower shelf can be easily slotted into position, 200 mm from the floor, without using tools. The shelves are supplied in solid versions as standard, with perforated shelves supplied on request.
- ◆ All models comply with the more strict international standards as far as hygiene and cleanability are concerned.

TECHNICAL DATA					
CHARACTERISTICS	MODELS				
	LG716P 132340	LG1216DXP 132345	LG1216SXP 132346	LG1416DXP 132351	LG1416SXP 132352
External dimensions - mm					
width	700	1200	1200	1400	1400
depth	700	700	700	700	700
height	1000	1000	1000	1000	1000
Upstand dimensions - mm					
height	100	100	100	100	100
depth	13	13	13	13	13
radius	R=8	R=8	R=8	R=8	R=8
Bowls - n.	1	1	1	1	1
Bowl dimensions (wxdxh) - mm	500x500xH300	600x500xH300	600x500xH300	600x500xH300	600x500xH300
Net weight - kg.	20	42	42	46	46
Right hand drainer		●		●	
Left hand drainer			●		●



LEGEND	LG716P 132340	LG1216DXP 132345	LG1216SXP 132346	LG1416DXP 132351	LG1416SXP 132352
A - Hot water inlet	3/4"	3/4"	3/4"	3/4"	3/4"
B - Cold water inlet	3/4"	3/4"	3/4"	3/4"	3/4"
C - Water drain	2"	2"	2"	2"	2"

OPTIONAL ACCESSORIES	MODELS				
	LG716P 132340	LG1216DXP 132345	LG1216SXP 132346	LG1416DXP 132351	LG1416SXP 132352
ELBOW OP.MIXER TAP+SPOUT-3/4" SINGLE HOLE	855322	855322	855322	855322	855322
ELBOW OP.TAP+SPRAY ARM+SPOUT-3/4" HOLE	855324	855324	855324	855324	855324
FALSE BOTTOM FOR L/H 500X500 MM BOWL	895210				
FALSE BOTTOM FOR L/H 600X500 MM BOWL		895110		895110	
FALSE BOTTOM FOR R/H 600X500 MM BOWL			895100		895100
FOOT OP.MIXER TAP(HOT+COLD)+SPOUT-3/4"	855328	855328	855328	855328	855328
LOWER SHELF FOR 1200 MM SINK		855342	855342		
LOWER SHELF FOR 1400 MM SINK				855344	855344
LOWER SHELF FOR 700 MM SINK	855340				
MAXIREEL-RETRACTABLE HOSE SPRAY UNIT 10M		855320	855320	855320	855320
MAXIREEL-RETRACTABLE HOSE SPRAY UNIT 15M		855321	855321	855321	855321
MAXIREEL-RETRACTABLE HOSE SPRAY UNIT 6M		855327	855327	855327	855327
MIXER TAP W/FOOT PEDAL FOR SINKS ON LEGS	855317	855317	855317	855317	855317
MIXER TAP WITH SPOUT 3/4" SINGLE HOLE	855319	855319	855319	855319	855319
MIXER TAP(INFRARED)+SPOUT 3/4" SING.HOLE	855325	855325	855325	855325	855325
MIXER TAP(PREMIUM)+SPRAY ARM-3/4" HOLE	855326	855326	855326	855326	855326
MIXER TAP+SPRAY ARM+SPOUT-3/4" SING.HOLE	855329	855329	855329	855329	855329
OVERFLOW FILTER FOR 500X500 MM BOWL	895136				
OVERFLOW FILTER FOR 600X500 MM BOWL		895135	895135	895135	895135
PRE-WASH SPRAY UNIT,SINGLE HOLE	855315	855315	855315	855315	855315
SINGLE BRASS SYPHON 2"	895314	895314	895314	895314	895314
SINGLE PLASTIC SYPHON 2"	895313	895313	895313	895313	895313
WALL MIX.TAP+SPRAY+SPOUT+SH.LEVER+THERM	855307	855307	855307	855307	855307
WALL MIXER TAP WITH SWIVEL SPOUT 3/4"	855310	855310	855310	855310	855310



www.zanussiprofessional.com

Free Manuals Download Website

<http://myh66.com>

<http://usermanuals.us>

<http://www.somanuals.com>

<http://www.4manuals.cc>

<http://www.manual-lib.com>

<http://www.404manual.com>

<http://www.luxmanual.com>

<http://aubethermostatmanual.com>

Golf course search by state

<http://golfingnear.com>

Email search by domain

<http://emailbydomain.com>

Auto manuals search

<http://auto.somanuals.com>

TV manuals search

<http://tv.somanuals.com>