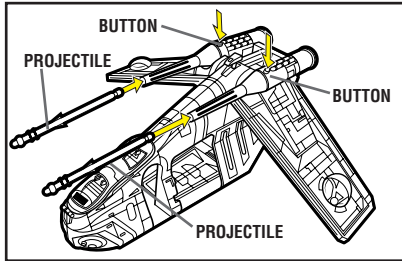
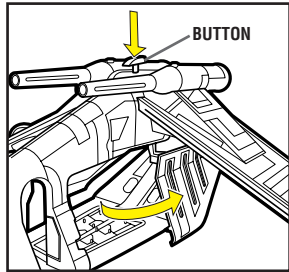


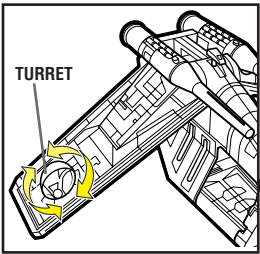
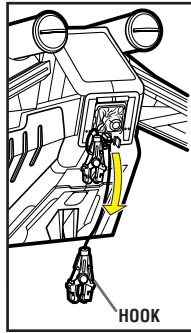
FEATURES:

DOORS: Press button to open gunship doors.

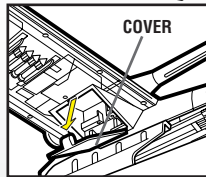
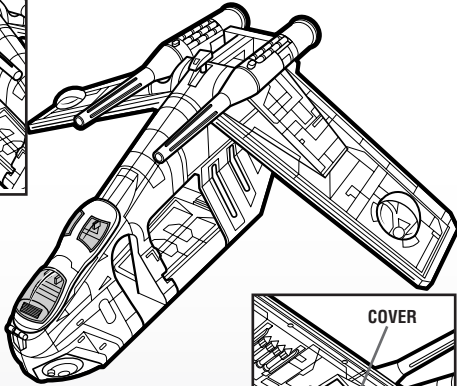


"LASER" CANNONS: Insert projectiles into cannons. Press button on each cannon to launch projectiles.

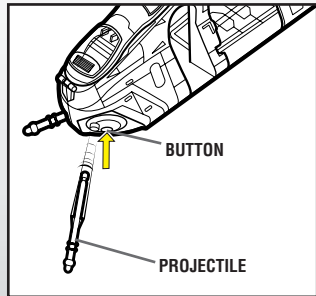
GRAPPLING HOOK: Unwind grappaling hook to tow other vehicles (vehicles not included).



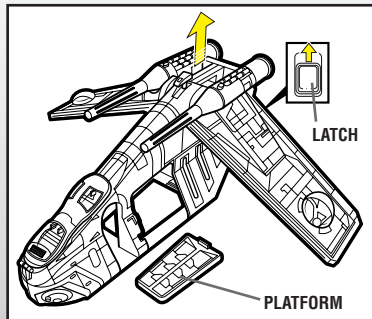
WING BALL TURRETS: Rotate turrets to activate blaster sounds.



STORAGE BAYS: Covers under wings open to reveal storage bays.



CHIN GUNS: Insert projectiles. Press buttons to fire projectiles.



LANDING BASE: Place gunship on a landing surface. To deploy troop landing platform, slide latch underneath ship, then lift the gunship straight up.

STAR WARS

REVENGE OF THE SITH™

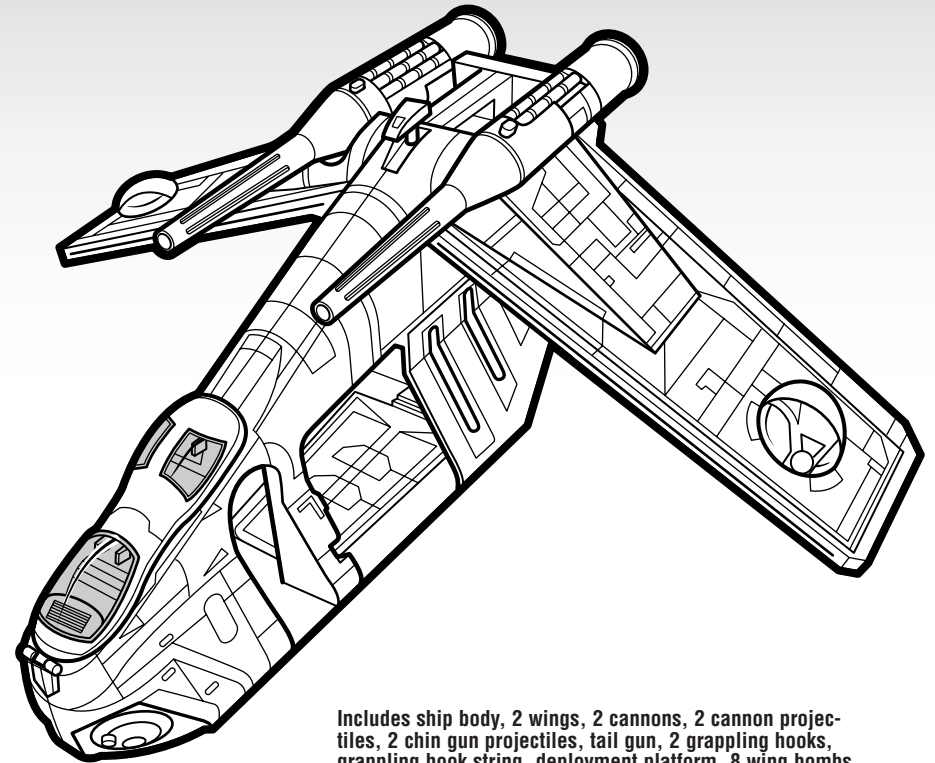
WARNING:

CHOKING HAZARD—Small parts.
Not for children under 3 years.

AGES 4+
85458/85414 Asst.

REPUBLIC GUNSHIP™

Assembly required. No tools needed.



Includes ship body, 2 wings, 2 cannons, 2 cannon projectiles, 2 chin gun projectiles, tail gun, 2 grappaling hooks, grappaling hook string, deployment platform, 8 wing bombs, 4 door bombs, canopy, labels and instructions.



Product and colors may vary.
© 2005 Lucasfilm Ltd. & © or TM where indicated. All rights reserved.
Used under authorization.
®* and/or TM* & © 2005 Hasbro.
* denotes Reg. U.S. Pat. & TM Office.

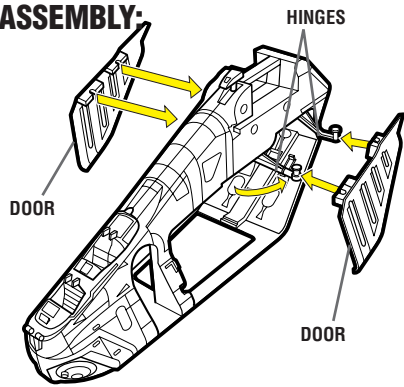
P/N 6444120000



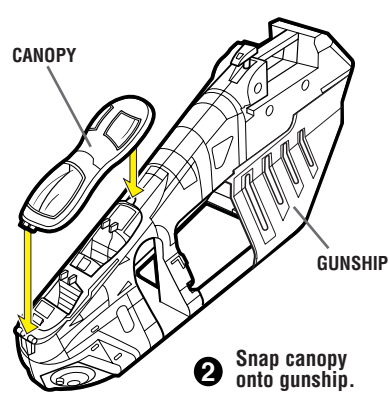
starwars.com



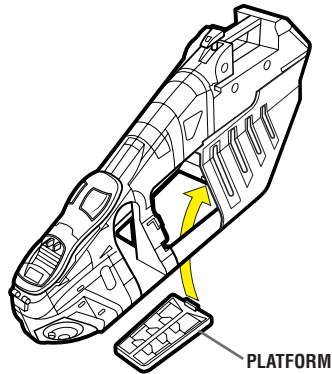
ASSEMBLY:



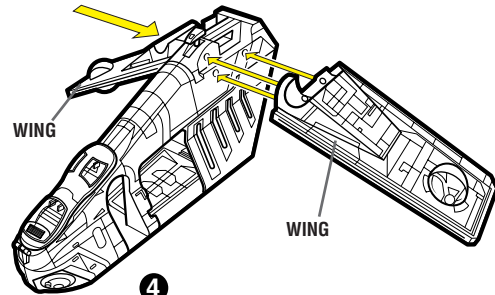
1 If doors become dis-attached from toy, reattach by snapping knobs on door hinges into slots in doors.



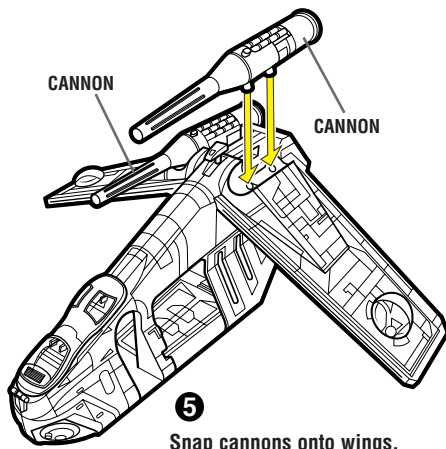
2 Snap canopy onto gunship.



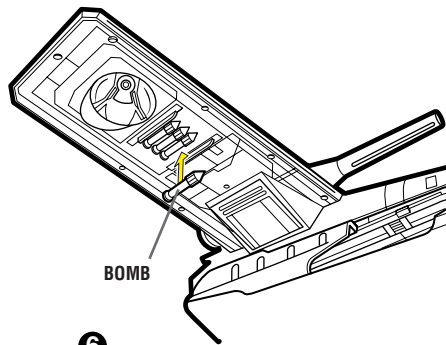
3 From bottom of ship body, snap deployment platform into base of body.



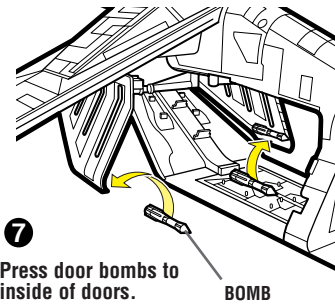
4 Snap wings onto ship body.



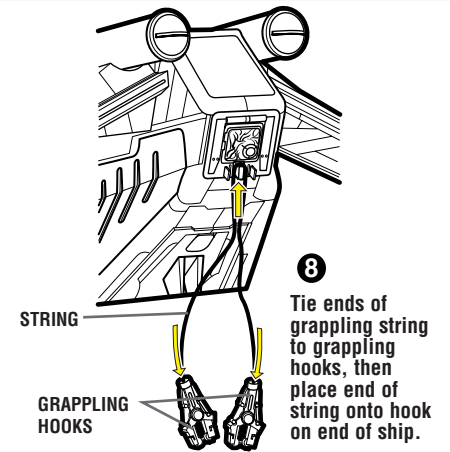
5 Snap cannons onto wings.



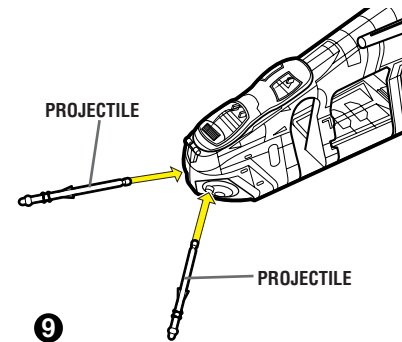
6 Snap under-wing bombs to bomb holders.



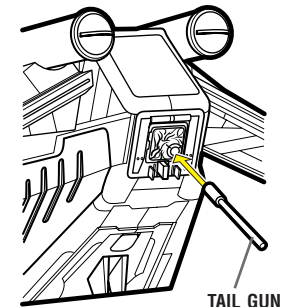
7 Press door bombs to inside of doors.



8 Tie ends of grappling string to grappling hooks, then place end of string onto hook on end of ship.

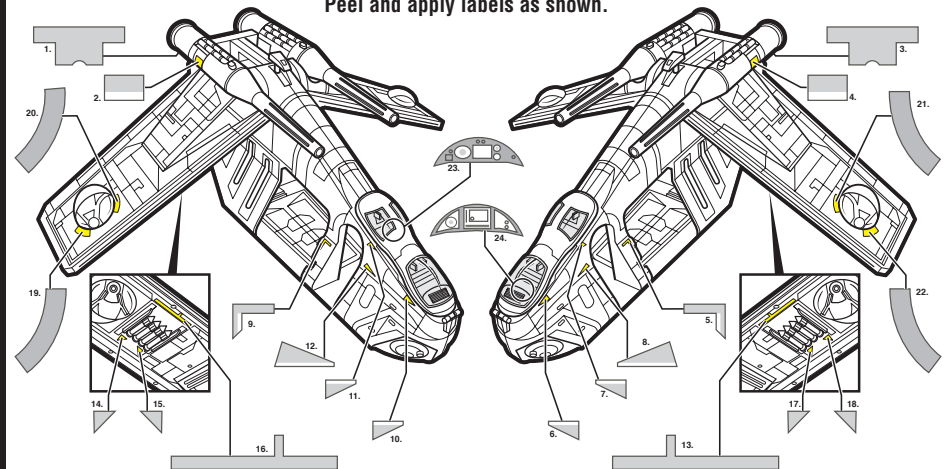


9 Push chin gun projectiles into chin guns.



10 Snap tail gun into socket.

Peel and apply labels as shown.



Free Manuals Download Website

<http://myh66.com>

<http://usermanuals.us>

<http://www.somanuals.com>

<http://www.4manuals.cc>

<http://www.manual-lib.com>

<http://www.404manual.com>

<http://www.luxmanual.com>

<http://aubethermostatmanual.com>

Golf course search by state

<http://golfingnear.com>

Email search by domain

<http://emailbydomain.com>

Auto manuals search

<http://auto.somanuals.com>

TV manuals search

<http://tv.somanuals.com>