

# Sabrina The Teenage Witch™

## Sabrina's Psychic Crystal Ball™

Welcome to the magical, mystical world of Sabrina The Teenage Witch™. **Sabrina's Psychic Crystal Ball™** makes predictions of the present and future. You and your friends will have hours of fun with this cosmic toy!

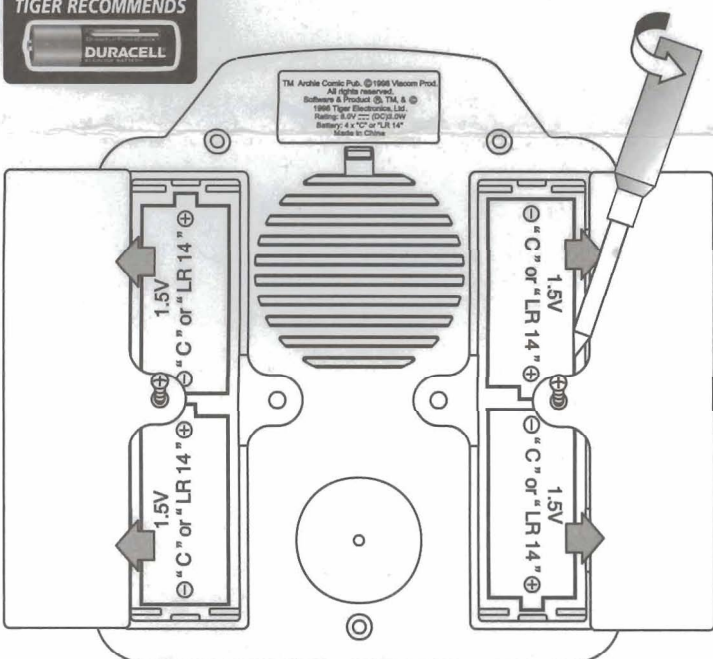
### TO INSERT BATTERIES:

This Psychic Crystal Ball requires 4 "C" batteries (not included). Unscrew the battery door (from the bottom of the unit) and remove. Install with 4 "C" batteries as shown in the illustration. Installation of batteries should be done by an adult.

**TIGER RECOMMENDS**

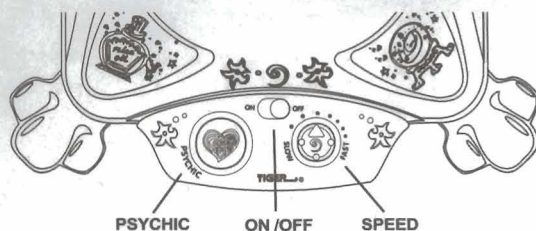
DURACELL

TM Archie Comic Pub. © 1998 Viacom Prod.  
All rights reserved.  
Software & Product © T.M. & ©  
1998 Tiger Electronics, Ltd.  
Rating: 3.0V (DC) 0.25W  
Battery: 4 "C" or "LR 14"



### TO ENSURE PROPER FUNCTION:

- Do not mix old and new batteries.
- Do not mix alkaline, standard or rechargeable batteries.
- Battery installation should be done by an adult.
- Non-rechargeable batteries are not to be recharged.
- Rechargeable batteries are to be removed from the toy before being charged (if removable)
- Rechargeable batteries are only to be charged under adult supervision (if removable).
- Only batteries of the same or equivalent type as recommended are to be used.
- Batteries are to be inserted with correct polarity.
- Exhausted batteries are to be removed from the toy.
- The supply terminals are not to be short-circuited.



### HOW TO USE:

1. Move the On / Off switch to the ON position.
2. Ask any sort of yes / no question out loud.
3. Press the psychic predictor button
4. Your prediction will appear in the crystal dome via lighted letters. The prediction will be shown twice. There are 100 different possible predictions.
5. The prediction may be viewed at varying speeds. Speed can be made faster or slower by turning the speed adjustor knob. (Battery condition will also affect speed).
6. Your lighted prediction will be accompanied by mystical sounds.
7. For best viewing ability, face the crystal ball so that the controls (buttons) are facing you. Since the crystal ball predictions appear in lighted letters, in order to better view psychic predictions, try using the crystal ball in a dimly lit rooms.

Note: If the predictions appear very slowly, try moving the speed adjuster. If they continue to appear slowly or do not appear at all, then try replacing the batteries.

### 90-Day Limited Warranty

Tiger Electronics, Ltd. (Tiger) warrants to the original consumer purchaser of this product that the product will be free from defects in materials or workmanship for 90 days from the date of original purchase. This warranty does not cover damages resulting from accident, negligence, improper service or use or other causes not arising out of defects in materials or workmanship.

During this 90-day warranty period, the product will either be repaired or replaced (at Tiger's option) without charge to the purchaser, when returned with proof of the date of purchase to either the dealer or to Tiger. Product returned to Tiger without proof of the date of purchase or after the 90-day warranty period has expired, but prior to one year from the original date of purchase, will be repaired or replaced (at Tiger's option) for a service fee of U.S.\$11.00. Payments must be by check or money order payable to Tiger Electronics, Ltd.

The foregoing states the purchaser's sole and exclusive remedy for any breach of warranty with respect to the product.

All product returned must be shipped prepaid and insured for loss or damage to:

**Tiger Electronics, Ltd. Repair Dept.**  
980 Woodlands Parkway  
Vernon Hills, Illinois 60061 U.S.A.

The product should be carefully packed in the original box or other packing materials sufficient to avoid damage during shipment. Include a complete written description of the defect, a check if product is beyond the 90-day warranty period, and your printed name, address and telephone number.

**THIS WARRANTY IS IN LIEU OF ALL OTHER WARRANTIES AND NO OTHER REPRESENTATIONS OR CLAIMS OF ANY NATURE SHALL BE BINDING ON OR OBLIGATE TIGER IN ANY WAY. ANY IMPLIED WARRANTIES APPLICABLE TO THIS PRODUCT, INCLUDING WARRANTIES OF MERCHANTABILITY AND FITNESS FOR A PARTICULAR PURPOSE, ARE LIMITED TO THE NINETY (90) DAY PERIOD DESCRIBED ABOVE. IN NO EVENT WILL TIGER BE LIABLE FOR ANY SPECIAL, INCIDENTAL, OR CONSEQUENTIAL DAMAGES RESULTING FROM POSSESSION, USE, OR MALFUNCTION OF THIS TIGER PRODUCT.**

Some states do not allow limitations as to how long an implied warranty lasts and/or exclusions or limitations of incidental or consequential damages, so the above limitations and/or exclusions of liability may not apply to you. This warranty gives you specific rights, and you may also have other rights which vary from state to state.

SABRINA THE TEENAGE WITCH and All Related Elements TM Archie Comic Publications, Inc.  
© 1998 Viacom Productions Inc. All Rights Reserved.  
Tiger Electronics, Ltd., Authorized User.  
Software Code, Technology, Product & Package Design  
© T.M. & © 1998 Tiger Electronics, Ltd. All Rights Reserved.  
980 Woodlands Parkway, Vernon Hills, Illinois 60061 U.S.A.  
Tiger Electronics UK Ltd, Belvedere House, Victoria Avenue Harrogate, North Yorkshire, England HG1 1EL.

## Free Manuals Download Website

<http://myh66.com>

<http://usermanuals.us>

<http://www.somanuals.com>

<http://www.4manuals.cc>

<http://www.manual-lib.com>

<http://www.404manual.com>

<http://www.luxmanual.com>

<http://aubethermostatmanual.com>

Golf course search by state

<http://golfingnear.com>

Email search by domain

<http://emailbydomain.com>

Auto manuals search

<http://auto.somanuals.com>

TV manuals search

<http://tv.somanuals.com>