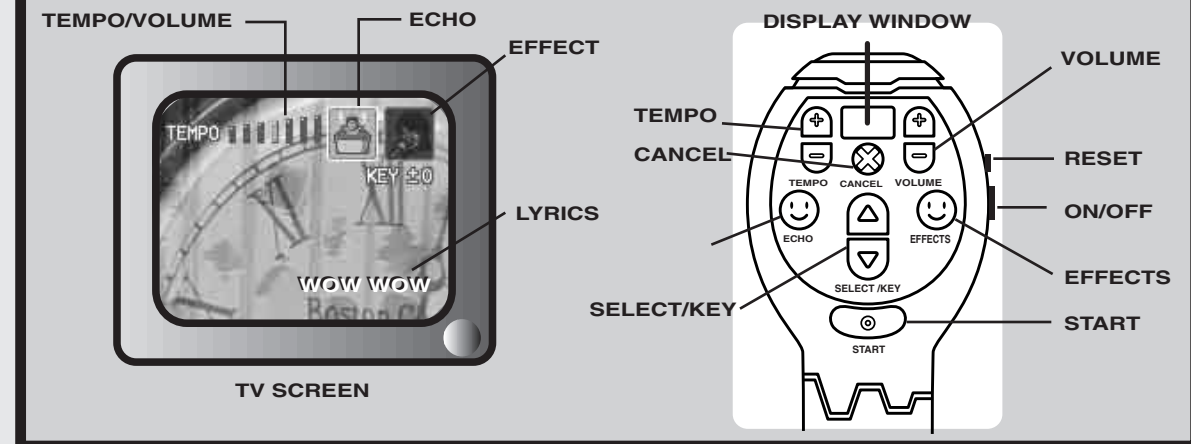


special e-kara features



TEMPO

Press the "+" Tempo button to speed up the tempo of the song; press the "-" Tempo button to slow the tempo.

ECHO

Add different echo effects.



No Echo **Bathtub Echo** **Concert Hall Echo** **Mountain Top Echo**
(The icon for the echo effect selected appears in the top right corner of the TV screen.)

EFFECTS

Choose a cool voice effect to add fun and excitement to a song. **The voice effects are activated only while you press and hold the Start button.** (The icon for the effect selected lights up in the top right corner of the TV screen while active.)



Soprano raises the key of your voice.
Bass lowers the key of your voice.
Vibrato adds a vibrating effect to your voice.

SELECT KEY (Dual Purpose)

Press the Select/Key buttons to scroll through the song list so you can choose your favorite. While singing, use the Select/Key buttons to raise or lower the song key. Choose the key that's just right for you!

DISPLAY WINDOW

Indicates song numbers, key and tempo.

DUET Input Jack

The Duet input jack on the bottom of the e-kara microphone allows you to connect an e-kara™ Duet Microphone (not included) so a friend can sing along with you! You can connect up to 10 Duet Microphones at once, allowing you to create your own singing group with all your friends!

FCC STATEMENT

This equipment has been tested and found to comply with the limits for a Class B digital device, pursuant to Part 15 of the FCC Rules. These limits are designed to provide reasonable protection against harmful interference in a residential installation. This equipment generates, uses and can radiate radio frequency energy, and, if not installed and used in accordance with the instructions, may cause harmful interference to radio communications. However, there is no guarantee that interference will not occur in a particular installation. If this equipment does cause harmful interference to radio or television reception, which can be determined by turning the equipment off and on, the user is encouraged to try to correct the interference by one or more of the following measures:
- Reorient or relocate the receiving antenna.
- Increase the separation between the equipment and the receiver.
- Consult the dealer or an experienced radio/TV technician for help.
Changes or modifications not expressly approved by the party responsible for compliance could void the user's authority to operate the equipment.

Fast Forward

While a song is playing, press both the "+" and "-" Tempo buttons at the same time to fast-forward through a song. It's perfect to use when you want to cut introductions and interludes or when you want to practice at the same point in a song over and over again. (There is no rewind feature.)

Auto Power Off

The power shuts off automatically after 15 minutes of nonuse.

Low Battery Indicator

When the batteries begin to weaken and need to be replaced, the Low Battery Indicator will flash in the top left corner of the TV screen. The Indicator flashes slowly when the batteries are running low and quickly if the batteries are running out.

NOTE:

- To remove the cable from the TV input jack, pull the plug, not the cord.
- Do not drop, swing or strike the e-kara microphone.
- Keep the microphone away from moisture and high and low temperatures. Do not use near water.

PROBLEMS?

The e-kara microphone won't pick up your voice.
Sing into the top of the microphone and keep it as close to your mouth as possible.

The power keeps going off.

When you attempt to turn the power on without inserting the cartridge first, the number "88" will flash in the Display Window, then the power will go off. Be sure to insert the cartridge first before turning the power on.

The screen freezes.

The screen may freeze if you drop e-kara or if it absorbs some force. Press the Reset button on the side of the microphone to restart e-kara.

There is feedback.

When you place the e-kara microphone too close to the speakers, you may get feedback. Keep the microphone away from your speakers.

- Look for these additional e-kara components (sold separately):
- E-kara™ Duet Microphones allow up to 10 friends to sing along!
 - E-kara™ Karaoke Cartridges feature today's hottest hits!
- Additional cartridges sold separately. Each contains 10 songs.



11504
This product is powered by XaviX technology. XaviX™ is a trademark of SSD Company Limited.
Manufactured by Takara Co., Ltd. 2001.
Distributed by Hasbro.
© & © 2001 Hasbro, Pawtucket, RI 02862 USA. All Rights Reserved.
® denotes Reg. U.S. Pat. & TM Office.
U.S. Patent Pending.
MADE IN CHINA.

e-kara™

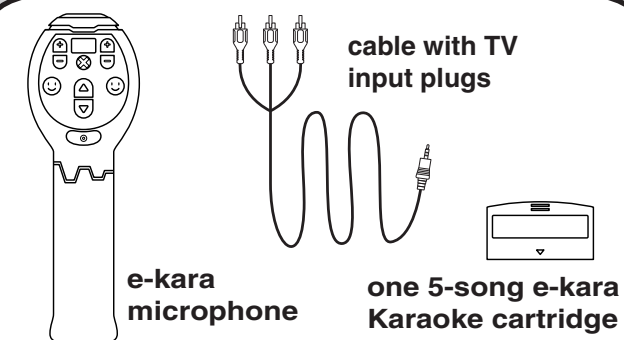
TAKARA®

AGES 6+
11504

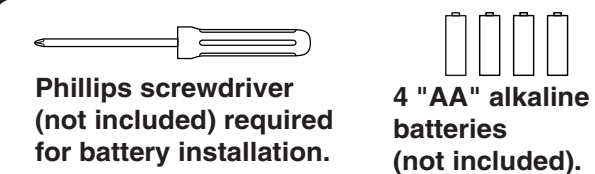
Thank you for choosing e-kara! Please read and follow all instructions before using this product. Retain the instructions for future reference. Video and audio input jacks are required on TV or VCR/DVD.

e-kara set-up

Includes:



Requires:



Note: The plastic covering helps protect the e-kara microphone during transport. Discard covering after opening the package.

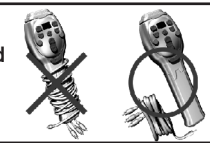
CAUTION:

- Do not connect the E-kara unit to projection TVs (TVs that use projection screens instead of cathode ray tubes) because this may cause screen discoloration.
- Adult assembly is required for battery installation and product set-up.
- Input cable is not a toy. Adult set-up and supervision required.

CAUTION: TO AVOID BATTERY LEAKAGE

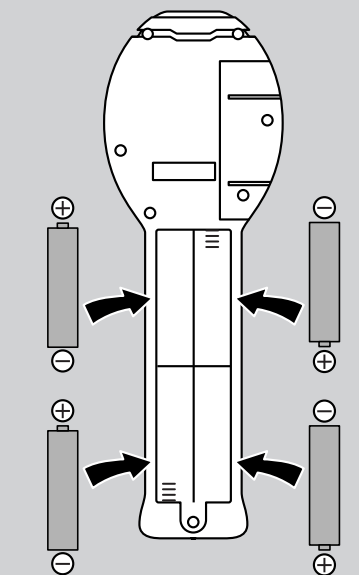
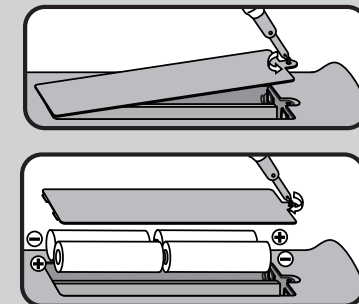
1. Be sure to insert the batteries correctly and always follow the toy and battery manufacturers' instructions;
2. Do not mix old batteries and new batteries or alkaline, standard (carbon zinc) or use rechargeable (nickel-cadmium) batteries;
3. Always remove weak or dead batteries from the product.

Do not wind the cord around the microphone handle.



1

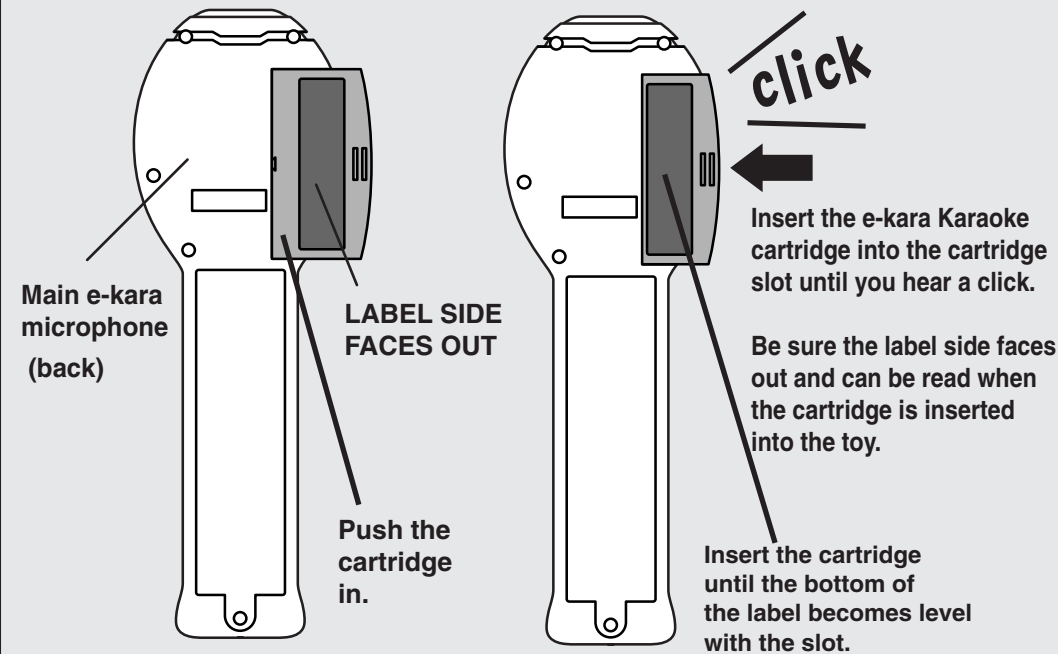
Using Phillips screwdriver, remove the battery lid found in the back of the microphone. Insert 4 "AA" alkaline batteries as indicated. Replace lid.



Songs provided through Daiichikoshi's DAM system.

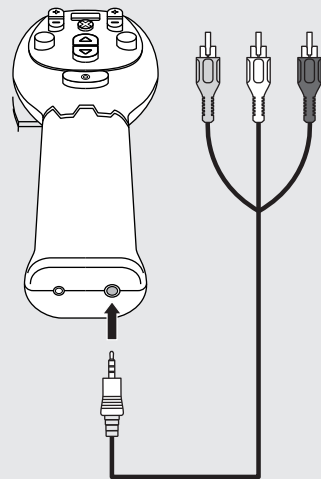
e-kara set-up

2



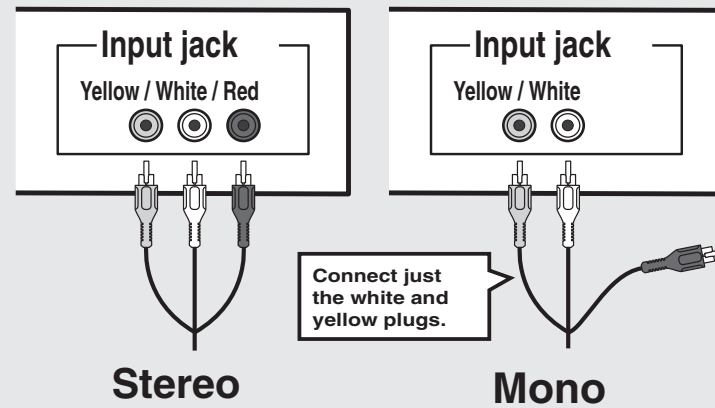
3

Connect the translucent cable plug to the Main Unit input jack on the bottom of the e-kara microphone. Be sure to insert the plug all the way into the jack.



4

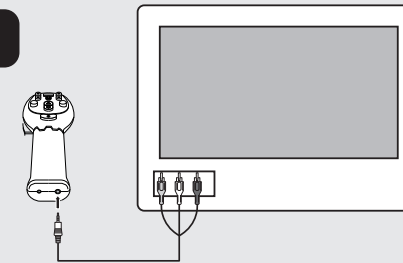
Connect the colored cable plugs to the input jacks on your TV set or your VCR/DVD. Match the color of the plug to the color of the input jack (white to white, red to red, yellow to yellow). The yellow plug connects to the "Video In" jack and the white and red plugs connect to the left and right "Audio" jacks for stereo sound. (You can connect just the yellow and white plugs for mono sound.) (Refer to your TV or VCR/DVD instructions for more information.)



Now you're ready to Karaoke with e-kara!

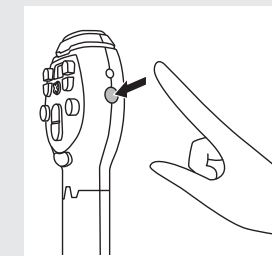
sing with e-kara

1



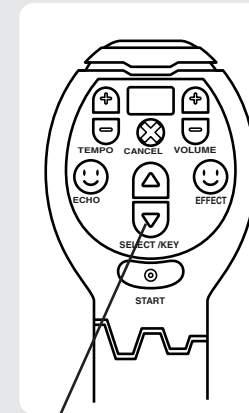
Turn on your TV set (and VCR/DVD) and switch the TV to Video/Aux. mode. (Refer to your TV and VCR/DVD instructions for more information.)

2



Press the On/Off button on the side of the microphone to turn e-kara on.

3

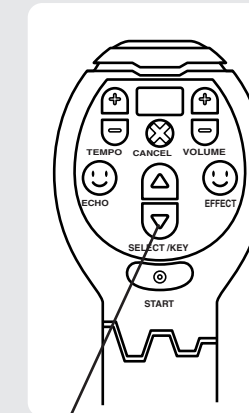


Move up or down.

When you see the title screen on the TV, press the Select/Key arrow buttons to select either stereo or mono, then press the Start button.

- With red, white and yellow plugs connected, choose stereo.
- With only white and yellow plugs connected, choose mono.

4

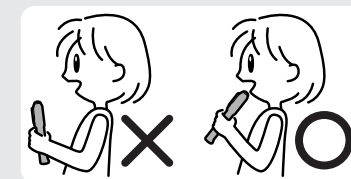


Move up or down to select.

Use the Select/Key arrow buttons to choose a song from the song selection menu on the TV. Press the Start button to play the song and see lyrics on the TV. It's time to sing!

5

For best results, sing into the top of the microphone and keep it as close to your mouth as possible.



6

To adjust the balance between your voice and the music, first adjust the volume of the music. To do this, press the "+" and "-" Volume buttons on the microphone to turn the music up or down. Then, adjust the volume of both the microphone and the music together by adjusting the volume on your TV. To stop the song that's playing, press the Cancel button, which will bring you back to the song selection menu.

Free Manuals Download Website

<http://myh66.com>

<http://usermanuals.us>

<http://www.somanuals.com>

<http://www.4manuals.cc>

<http://www.manual-lib.com>

<http://www.404manual.com>

<http://www.luxmanual.com>

<http://aubethermostatmanual.com>

Golf course search by state

<http://golfingnear.com>

Email search by domain

<http://emailbydomain.com>

Auto manuals search

<http://auto.somanuals.com>

TV manuals search

<http://tv.somanuals.com>