

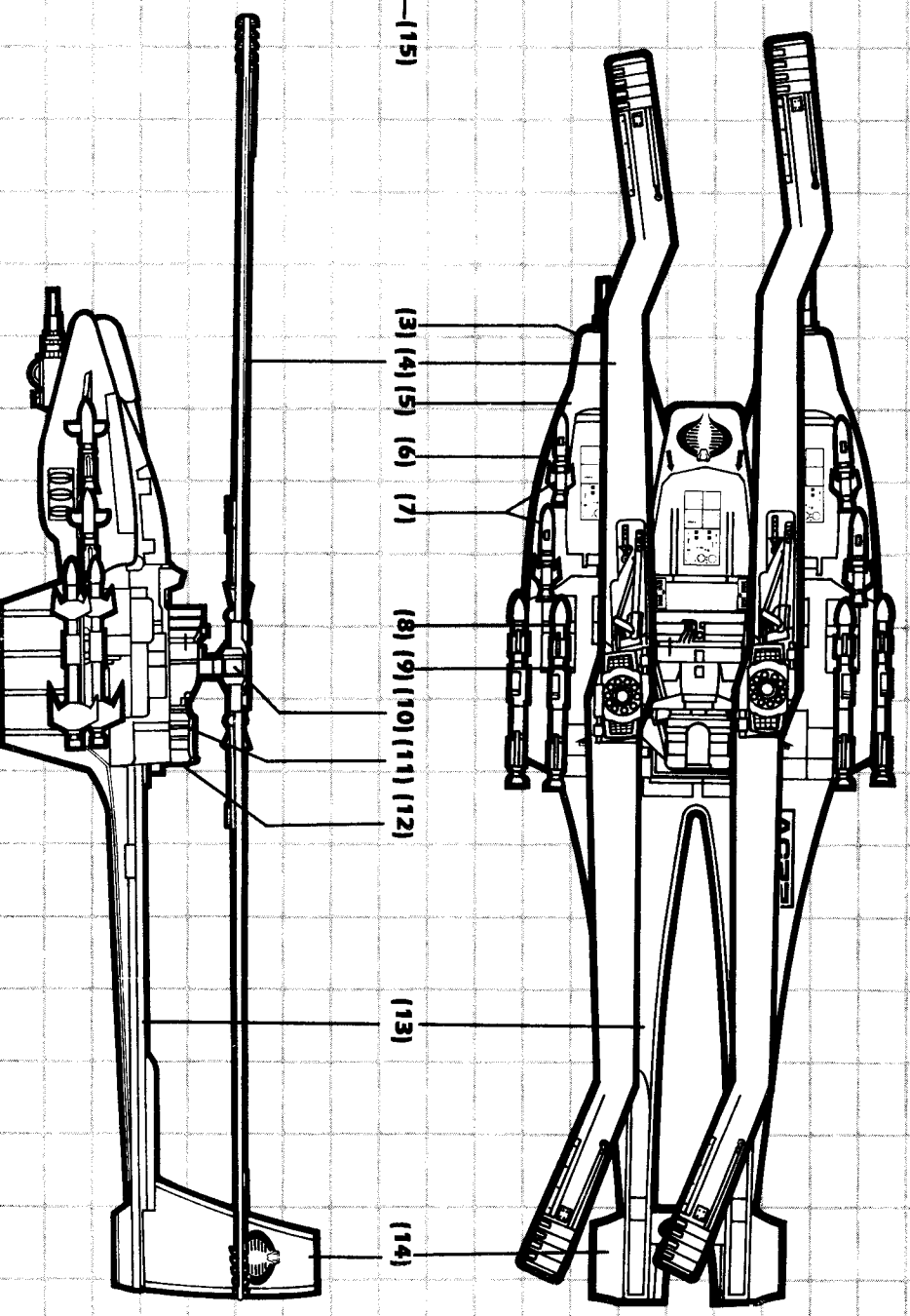
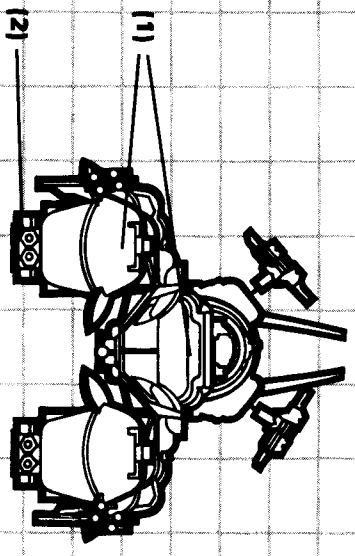
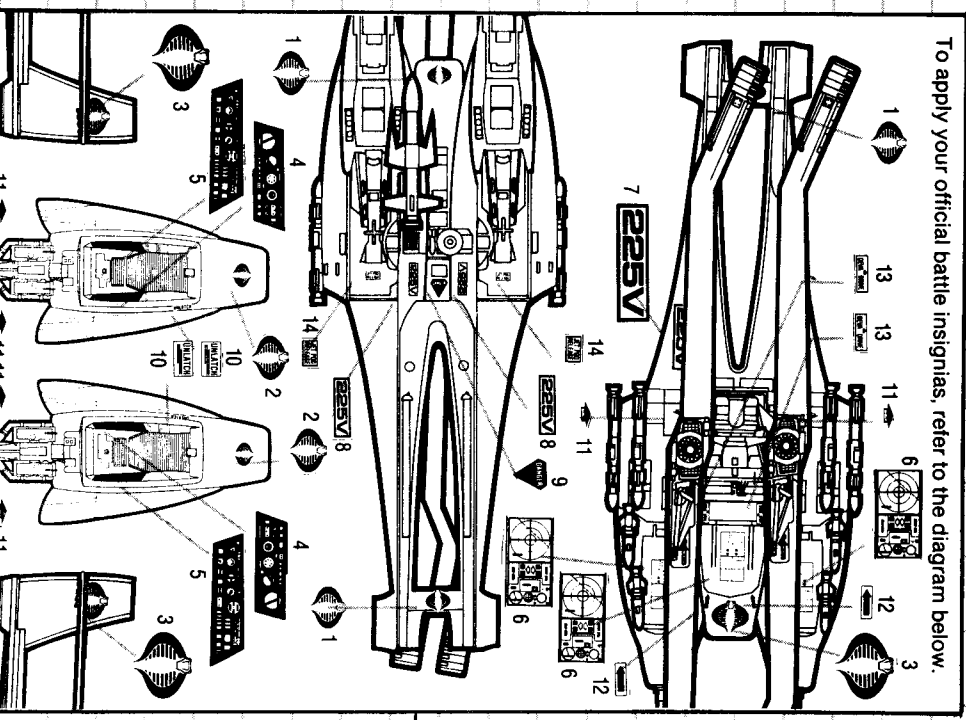
- 1 Align front post on upper pod with front hole in lower pod. Fit rear of pod halves together. Snap canopy bar into notches in pod and snap closed. Repeat with second pod and canopy. (ILL. 1)
- 2 Insert rear of gun into hole underneath pod and press front down to snap gun into place. Repeat with other gun and pod. (ILL. 2)
- 3 Turn Mamba upside down. With pod upside down, slide exhaust over mount and snap pod down. Repeat with second pod. Push bomb lever and place bomb between clamps. Release lever to lock bomb. (ILL. 3)
- 4 Snap post on small bomb lever into notches, making sure shorter end faces front. Lightly fit slot in bomb over tab. Repeat with second lever and bomb. Push tabs down to release bombs. (NOTE: BOMBS WILL NOT DISENGAGE WHEN PRESSED COMPLETELY OVER TABS. (ILL. 4)
- 5 Turn Mamba right side up. Insert one post on main canopy into hole in cockpit and snap other post into place. Snap canopy closed. Fit tabs on engine cover into slots in engine. (ILL. 5)
- 6 Slide rear of exhaust into slot behind engine and snap down. With fins curving inward, snap fin tabs into holes in rear of Mamba. (ILL. 6)
- 7 Line up notches in rotor blade holes with notches in engine rotors. Press blades firmly onto engine rotors. Spin rotor knob underneath Mamba to turn rotors. (ILL. 7)
- 8 Fit slots in 4 missiles over tabs on each side of Mamba. Fit tabs on 4 mini-missiles into slots on sides of pods. Open canopy, bend Gyro-Viper's knees and place him on his back in cockpit. (ILL. 8) (Includes Gyro-Viper figure.)
- 9 To detach pods from Mamba, pull fronts of pods downward and watch them do Gyro-Viper's dirty work!

SEE BLUEPRINTS ON BACK TO APPLY OFFICIAL BATTLE INSIGNIAS!

COBRA MAMBA

- 1) LASER-ENHANCED HUD (HEAD UP DISPLAY)
- 2) "SERPENTOR" 9MM RRF (RAPID RATE OF FIRE) MACHINE GUNS
- 3) FLIR (FORWARD LOOKING INFRARED RADOME)
- 4) "THRASHER" LAYERED-DEPOXY COUNTER-ROTATING ROTORS
- 5) DETACHABLE MOLT (MAMBA OFFENSIVE LIGHT TACTICAL) ATTACK PODS
- 6) ADVANCED "LIFTING BODY" AERODYNAMIC FUSELAGE
- 7) "NEMESIS" ANTI-TANK MINI-MISSILES
- 8) "DIABLO" SUPERSONIC AIR-TO-AIR MISSILES
- 9) LASER RANGING/TARGET DESIGNATION COMPUTER
- 10) TITANIUM-ALLOY DUAL ROTOR HEADS
- 11) "SERVO-TOX" NT-58 TURBOSHIFT ENGINE
- 12) SMASH (SENSOR SYSTEM: MAMBA AIR SUPPRESSION AND HEAT-REDUCTION) NOISE ELIMINATOR
- 13) FLARED SUPPORT FUSELAGE/TAIL SECTION
- 14) VERTICAL/HORIZONTAL STABILIZATION RUDDERS
- 15) OFFICIAL G.I. JOE BATTLE INSIGNIA SPECIFICATIONS

To apply your official battle insignias, refer to the diagram below.



Free Manuals Download Website

<http://myh66.com>

<http://usermanuals.us>

<http://www.somanuals.com>

<http://www.4manuals.cc>

<http://www.manual-lib.com>

<http://www.404manual.com>

<http://www.luxmanual.com>

<http://aubethermostatmanual.com>

Golf course search by state

<http://golfingnear.com>

Email search by domain

<http://emailbydomain.com>

Auto manuals search

<http://auto.somanuals.com>

TV manuals search

<http://tv.somanuals.com>