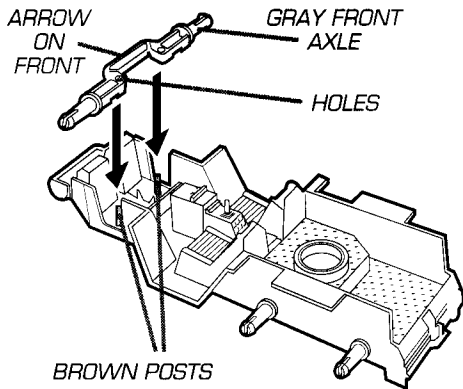


CONTAINS: Dino-Hunter vehicle, two figures, dinosaur, launcher, 2 missiles, 2 grappling hooks, accessories, label sheet and instructions.

AUTION: Do not point weapon at eyes or face.

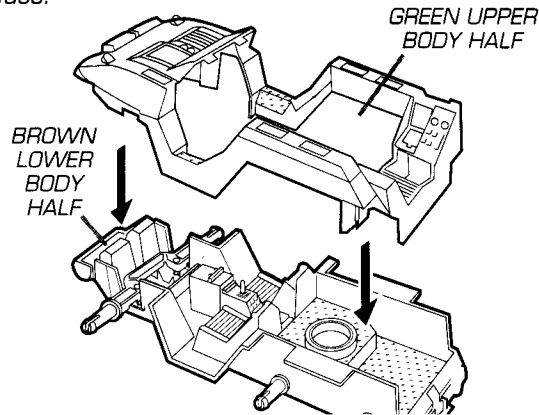
WARNING

Contains small parts which may present a choking hazard to children under three.



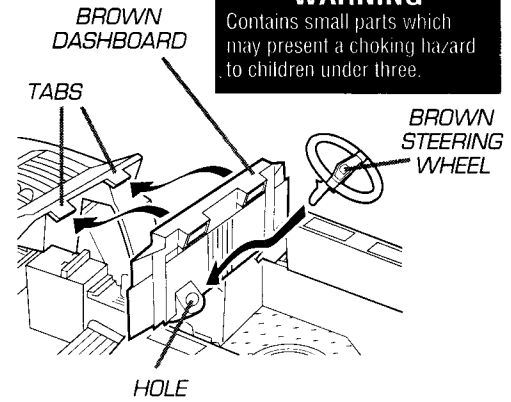
1. FRONT AXLE ASSEMBLY

Fit holes in gray front axle over posts in front end of brown lower body half as shown. Make sure arrow on axle is pointing up.



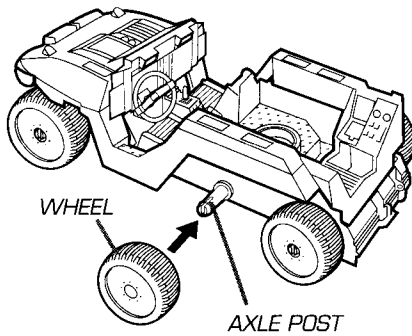
2. BODY ASSEMBLY

Fit green upper body half onto brown lower body half.



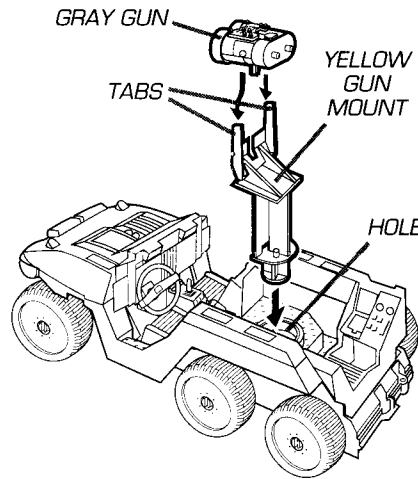
3. DASHBOARD ASSEMBLY

Snap brown steering wheel into hole in brown dashboard. Snap holes in dashboard onto tabs in body.



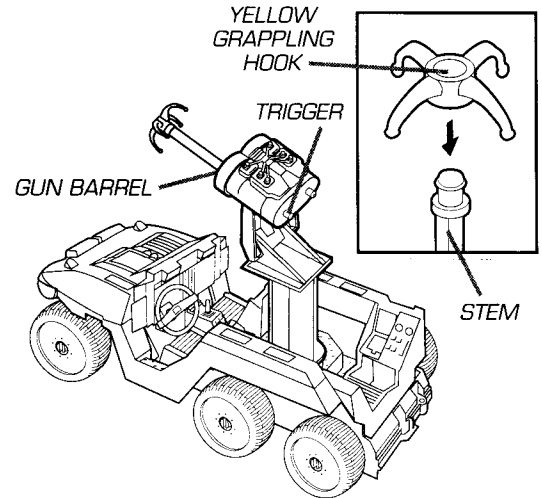
4. WHEEL ASSEMBLY

Snap black wheels (6) onto axle posts as shown.



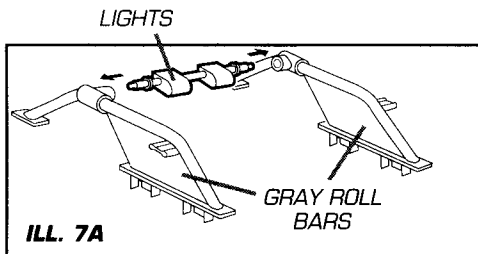
5. GUN ASSEMBLY

Fit yellow gun mount tabs into holes in side of gray gun. Snap gun mount base into hole in vehicle body.



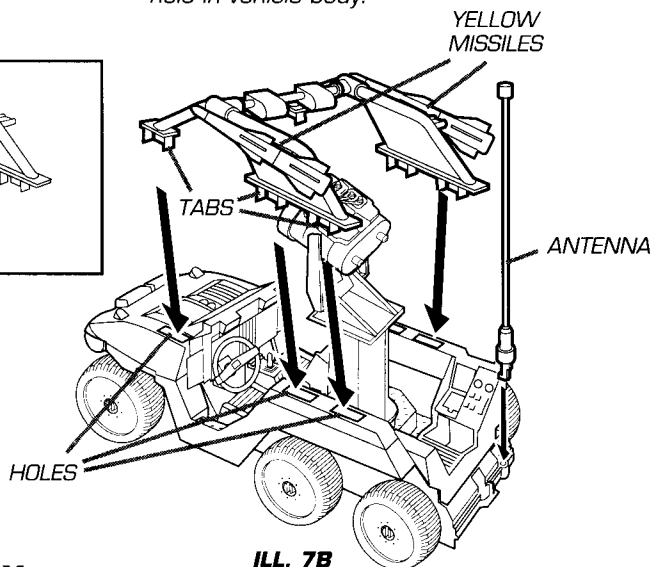
6. SHOOTING WEAPON

Snap yellow grappling hooks onto grappling hook stems as shown. Insert grappling hooks into gun barrels and lock in place. To fire, press triggers.

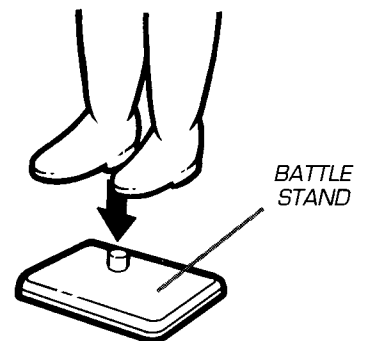


7. ROLL BAR ASSEMBLY

Fit gray roll bar lights between right and left roll bars (ILL. 7A). Snap tabs on gray roll bars into holes in green body sides. Snap brown antenna into hole in rear of body. Fit yellow missiles onto right and left roll bar tabs (ILL. 7B).



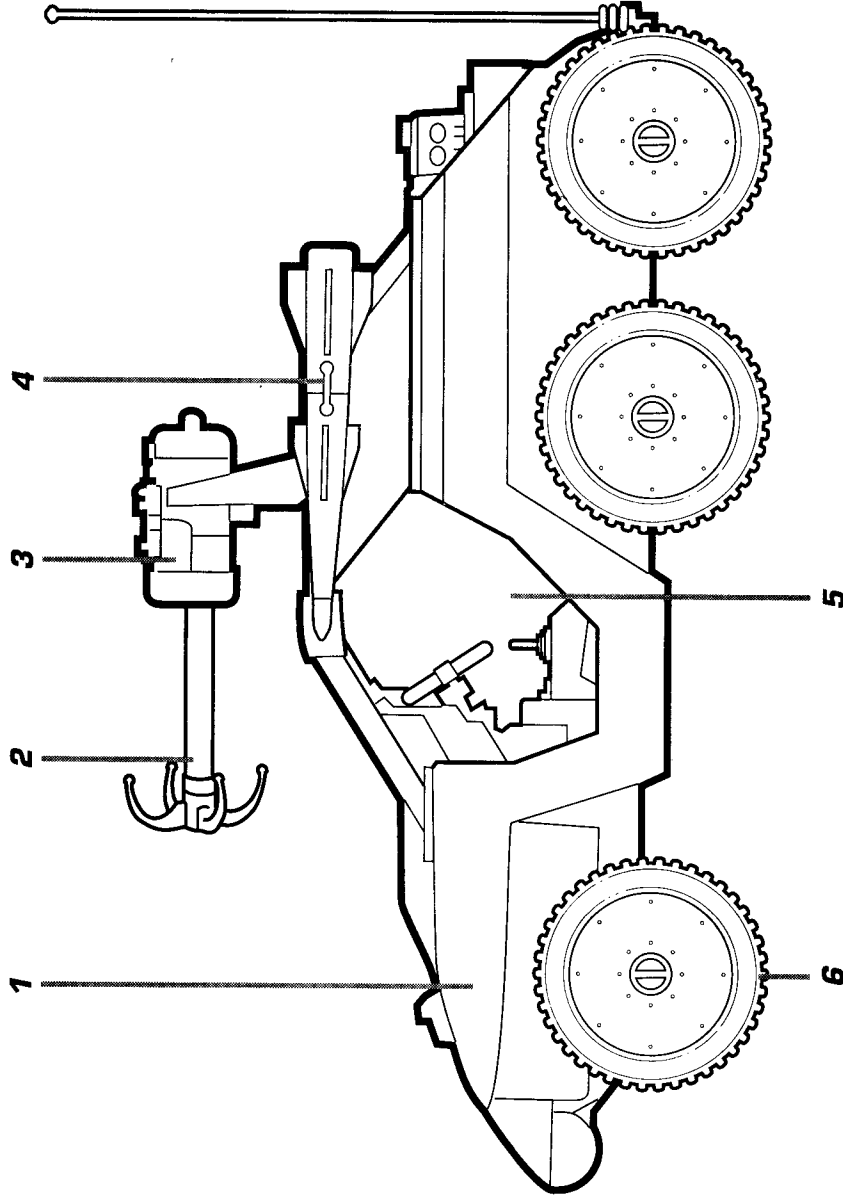
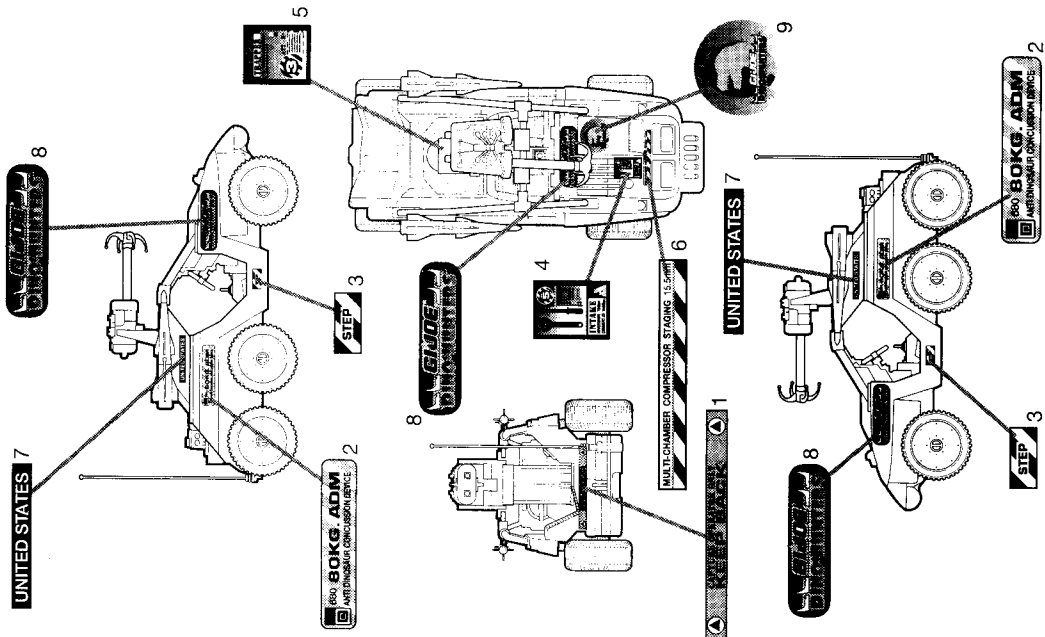
ILL. 7B



8. FIGURES

Fit figures onto battle stands as shown.

Peel and apply labels as shown.



DINO-HUNTER™ OFFICIAL G.I. JOE VEHICLE SPECIFICATIONS

1. DINOSAUR-PROOF ARMOR PLATING
2. TWO X8-66 "QUICK CAPTURE" GRAPPLING HOOKS
3. DOUBLE-BARRELED GRAPPLING HOOK LAUNCHER
4. TWO MOBILE-BASED SONIC MISSILES
5. SEATING FOR UP TO FOUR G.I. JOES
6. ALL-TERRAIN STEEL REINFORCED TIRES

Product and colors may vary.
 Approximate size of vehicle is 10" L x 5 3/4" W x 5" H.
 ©1993 Hasbro, Inc., Pawtucket, RI 02862 U.S.A. All Rights Reserved.
MADE IN CHINA.
 6686 P/N 44170700

Free Manuals Download Website

<http://myh66.com>

<http://usermanuals.us>

<http://www.somanuals.com>

<http://www.4manuals.cc>

<http://www.manual-lib.com>

<http://www.404manual.com>

<http://www.luxmanual.com>

<http://aubethermostatmanual.com>

Golf course search by state

<http://golfingnear.com>

Email search by domain

<http://emailbydomain.com>

Auto manuals search

<http://auto.somanuals.com>

TV manuals search

<http://tv.somanuals.com>