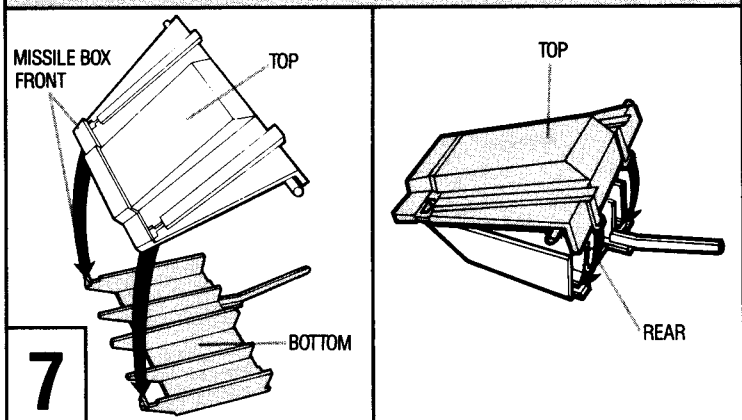
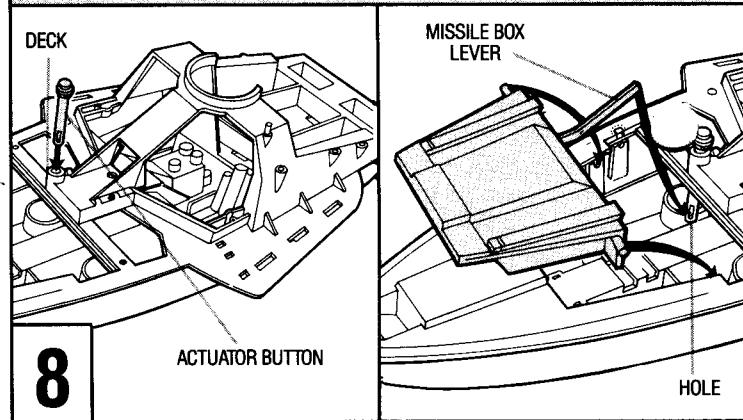


- Place control bar on table with handle to your right. Snap ends of 4 struts over 4 posts on control bar. Position 4 struts to the left, as shown. (ILL. 1)
- With foil to your left and notch facing up, snap holes in rear (right) struts over small posts inside hydrofoil as shown. Repeat with left hydrofoil and left struts. (ILL. 2)
- Turn hull upside down. Hold handle of control bar. Lift front hydrofoil and slide control bar into hull, as shown. Make sure control bar slides under tabs. Fold both hydrofoils toward rear of hull. Rest large posts in notches. (ILL. 3)
- Open end of long mount facing rear of hull, insert 4 studs over posts on front hydrofoil. Snap studs firmly into 4 holes in hull. Repeat with short mount and rear hydrofoil. Slide handle back forth to test hydrofoils. (ILL. 4) NOTE: Put hydrofoils up before continuing.
- Turn hull right side up. Insert steering wheel post into hole in dashboard of interior. Fit seats over crossbars on interior. Place 2 slots in interior over 2 ribs in hull, as shown. (ILL. 5)
- Insert tab on rear of hull into hole in rear of deck. Starting at the rear, snap tabs on sides of hull into holes in sides of deck. Squeeze nose of hull to snap tabs into nose of deck. (ILL. 6) NOTE: Make sure all short mount studs are snapped into deck before continuing.

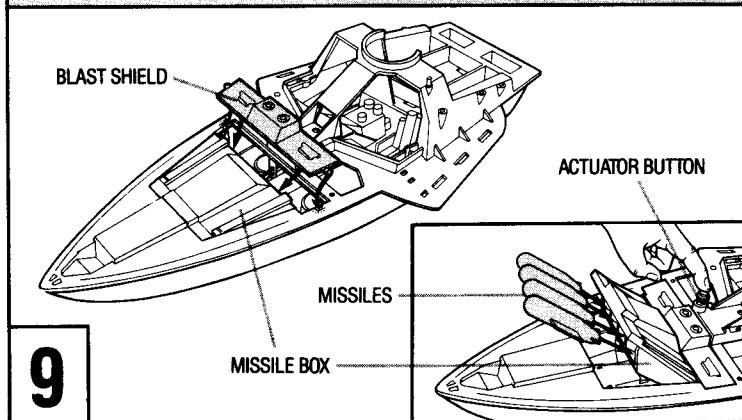
MISSILE INSTALLATION



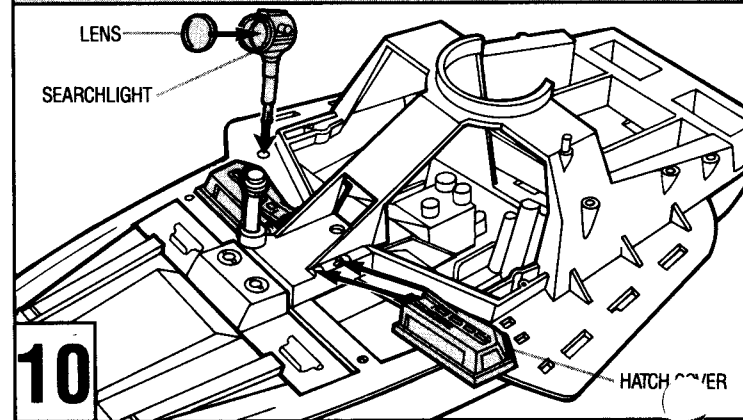
ACTUATOR BUTTON IMPLEMENTATION



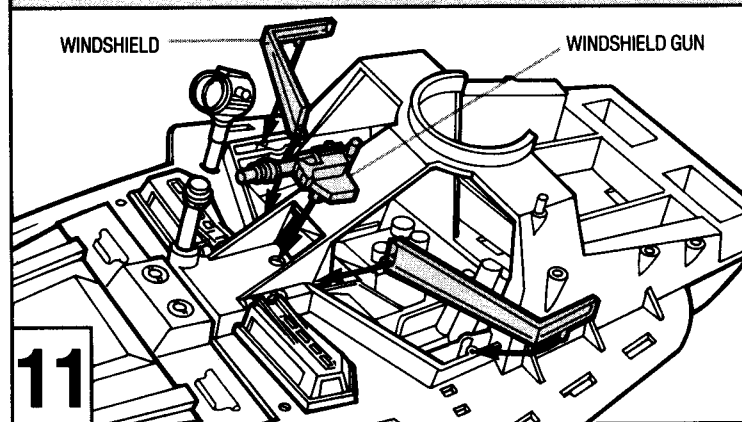
BLAST SHIELD INSTALLATION



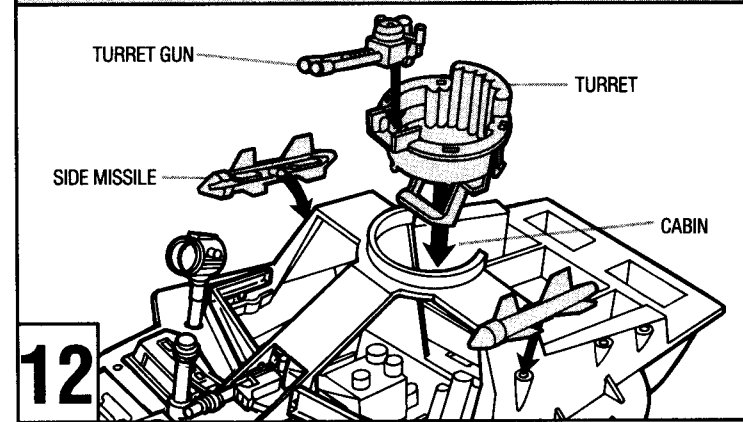
HATCH COVER/SEARCHLIGHT INSTALLATION



WINDSHIELD ASSEMBLY

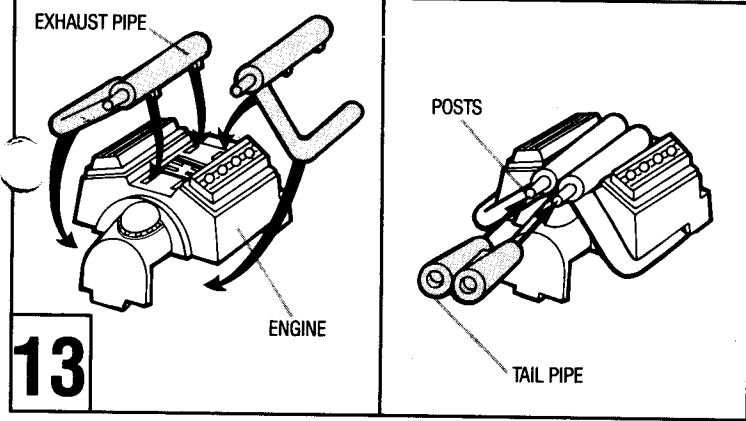


TURRET GUN/MISSILE IMPLEMENTATION



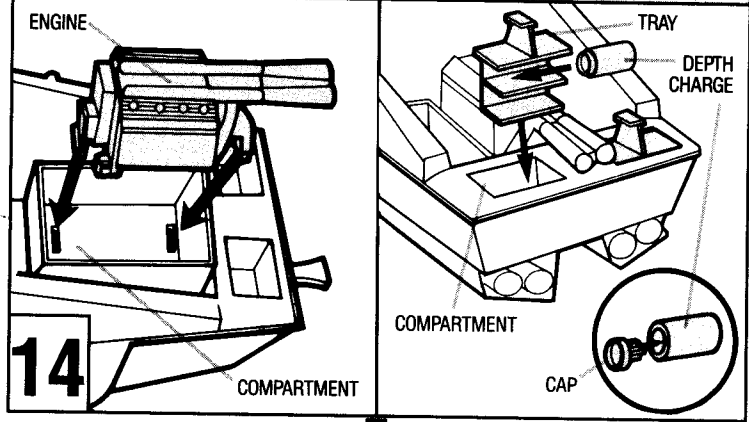
- 7** Insert "T" tabs on front of missile box bottom into notches in front of missile box top. Slide "T" tabs toward rear of missile box. Snap rear of missile box together. (ILL. 7)
- 8** Insert actuator button into hole in deck, as shown. Insert missile box lever into hole in actuator button. Rest posts on missile box onto notches in hull. Rest front of box on ledge of deck. (ILL. 8)
- 9** Position front of blast shield under top tabs on back of missile box and place one post on notch under deck. Place other post of blast shield over deck opening and snap down into place. Press actuator button to lift missile box. Insert 4 missiles into missile box. (ILL. 9)
- 10** Snap knobs on hatch covers into holes in rear hatch openings. Snap lens into searchlight. Insert post on searchlight into searchlight hole. (ILL. 10)
- 11** Press tab on left windshield into notch on left side of cabin, as shown. Slide windshield between ridge and press into place. Repeat with right windshield. Insert post on windshield gun into hole between windshields. (ILL. 11)
- 12** Snap knobs on turret gun into notches in turret. Place turret into turret hole in cabin. Snap into place. Insert posts on 2 side missiles into holes on sides of cabin. (ILL. 12)

EXHAUST PIPE ASSEMBLY



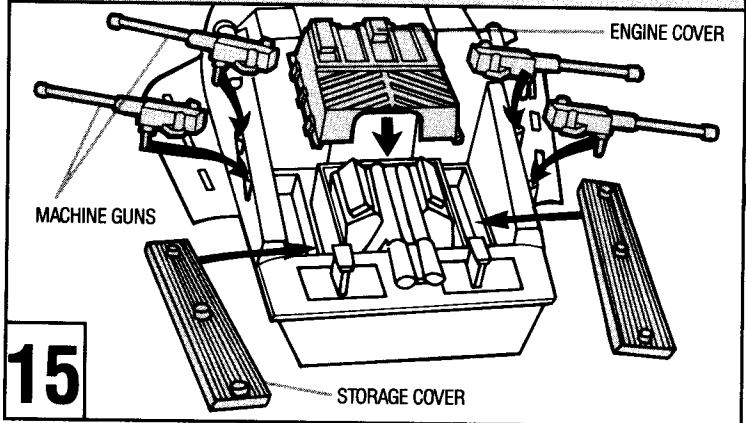
13

ENGINE/DEPTH CHARGE INSTALLATION



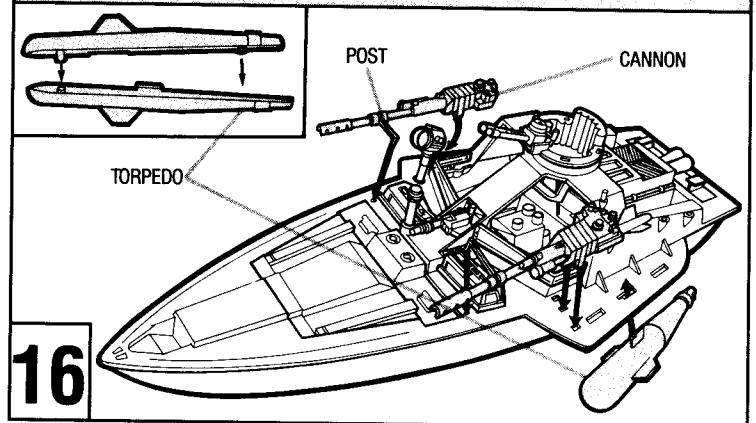
14

STORAGE COVER INSTALLATION



15

TORPEDO/CANNON IMPLEMENTATION



16

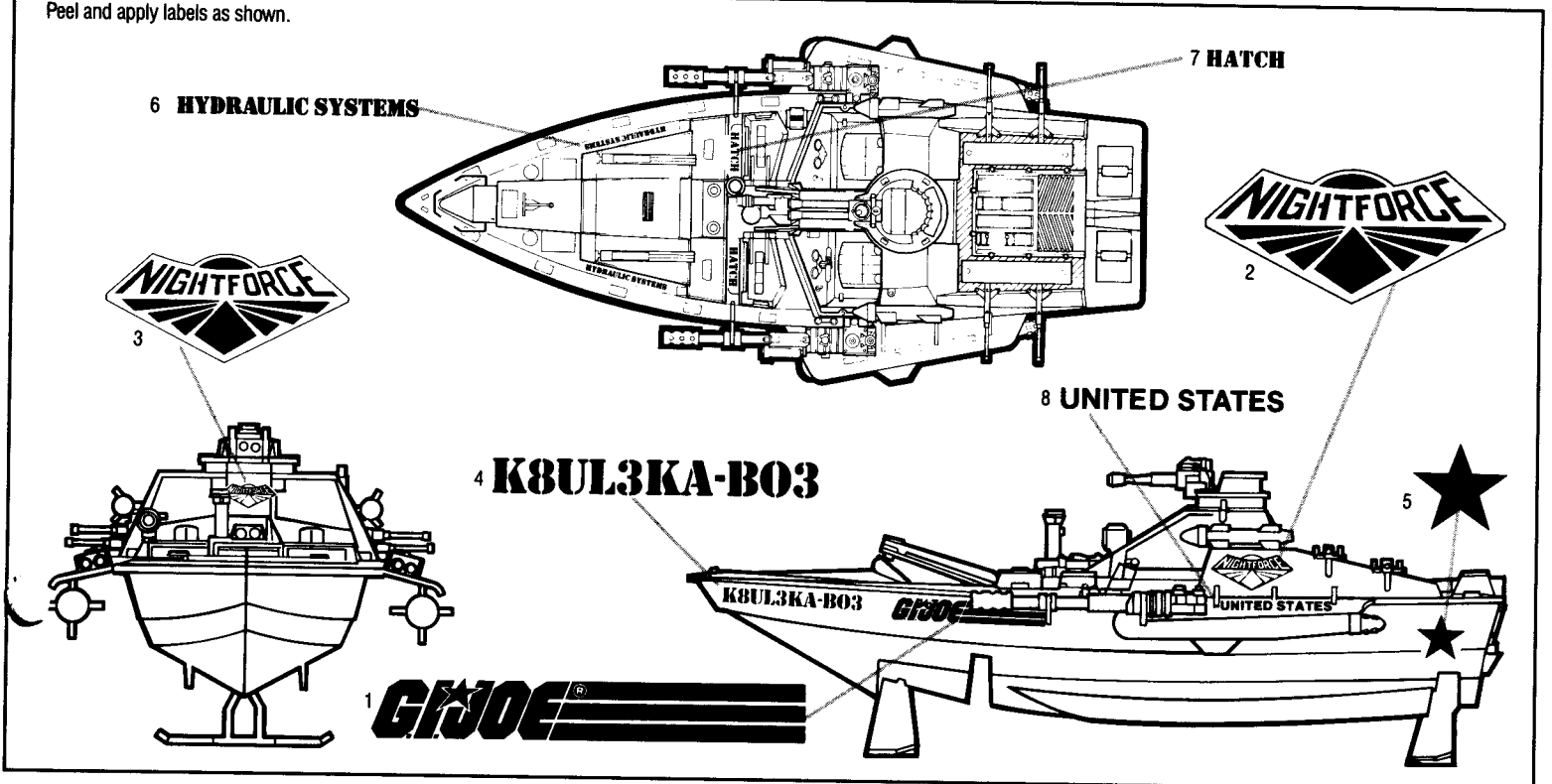
Insert knobs on left exhaust pipe into holes in left side of engine, as shown. Snap bottom of exhaust pipe under engine half. Repeat with right exhaust pipe. Fit holes in tail pipe over posts on exhaust pipes. (ILL. 13)

14 Place front engine tab into slot in engine compartment and push rear tab into place. Insert depth charge cap into depth charge. Repeat with other depth charges. Slide depth charge trays into tray compartments. Lift trays to insert depth charges. (ILL. 14)

15 Place storage covers over storage areas, as shown. Fit engine cover over engine. Insert posts on 4 machine guns into 4 holes in rear deck. (ILL. 15)

16 Insert posts on torpedo half into holes in other torpedo half. Insert tab on torpedo into torpedo slot. Slide forward to lock into place. Repeat with other torpedo. Snap 2 tabs on left side cannon into two holes on left side of body. Insert post on cannon barrel into hole, as shown. Repeat with right cannon. (ILL. 16)

Peel and apply labels as shown.



6 HYDRAULIC SYSTEMS

7 HATCH



2

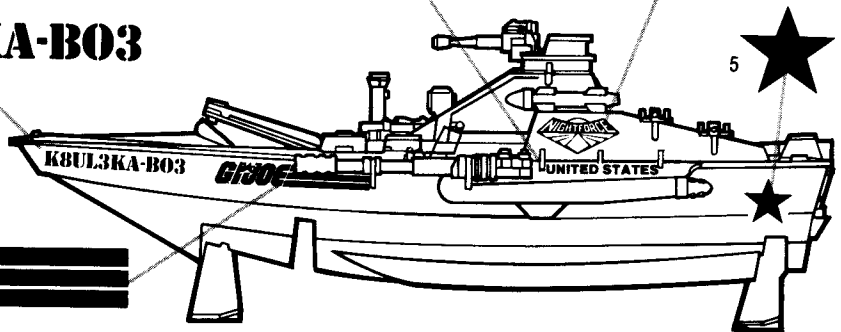
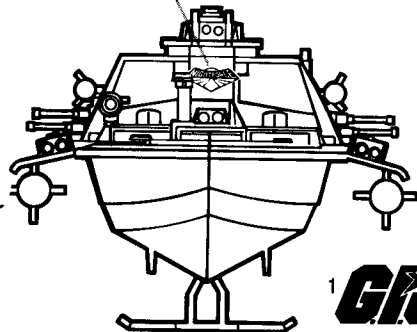


3

4 K8UL3KA-B03

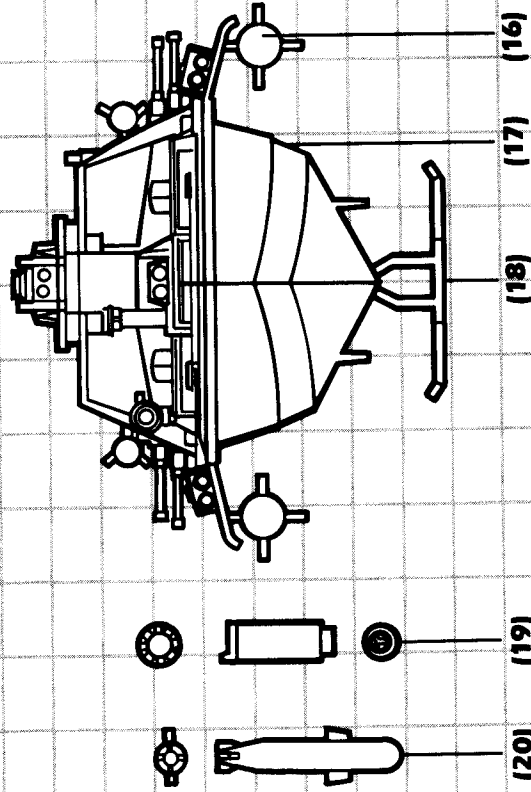
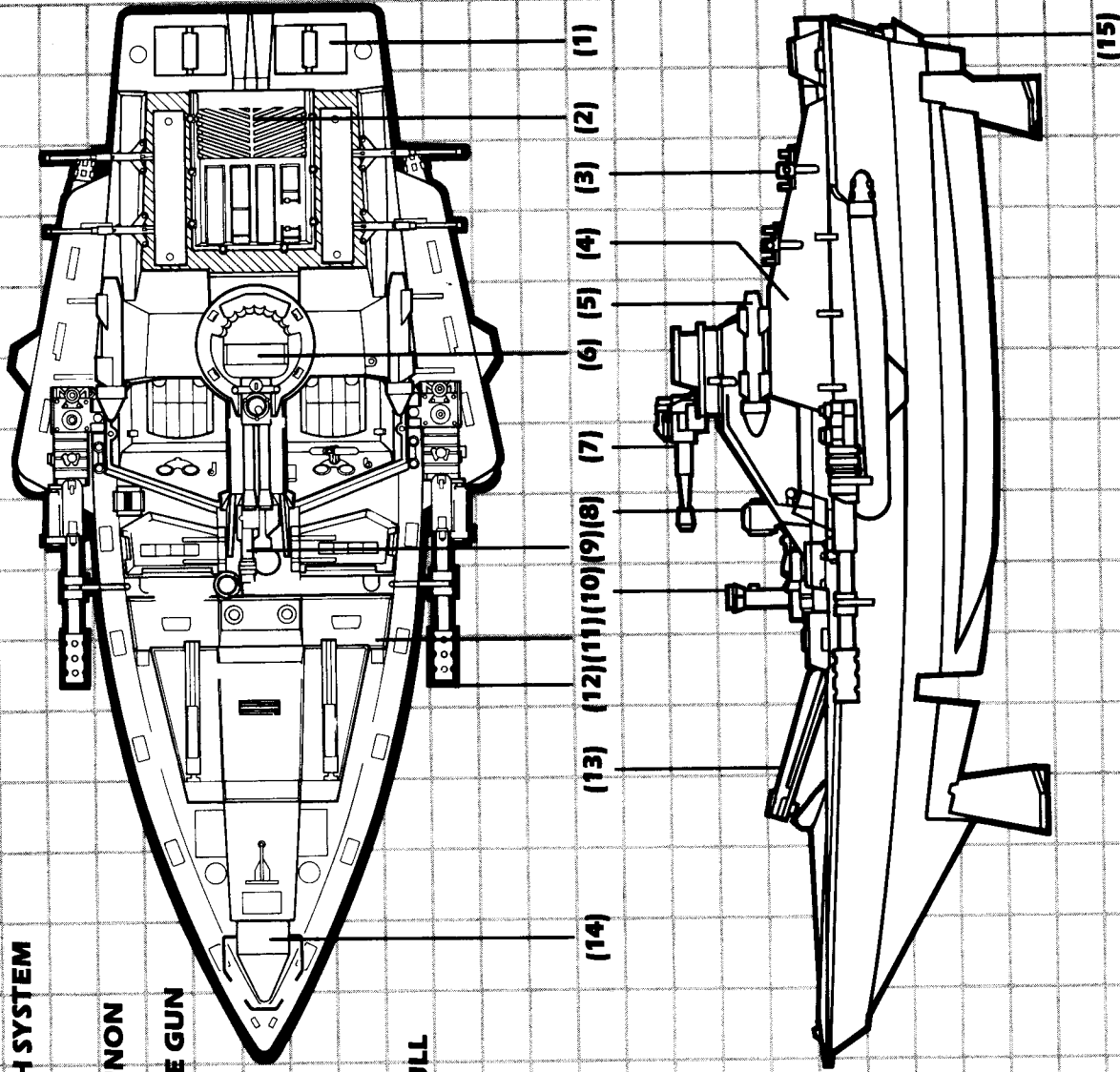
8 UNITED STATES

5



NIGHT FORCE™ NIGHT RAY™

- 1) REMOTE RELEASE DEPTH CHARGER BINNACLES
- 2) HIGH-FLOW 775 HP V-12 ENGINE
- 3) LATERAL 30 CALIBER MACHINE GUNS
- 4) REMOTE-CONTROLLED, ELECTRONIC TORPEDO LAUNCH SYSTEM
- 5) HE-07A AIR-TO-GROUND, LOW-FLIGHT MISSILE
- 6) FLYING-TURRET COMMAND POST
- 7) RAPID-FIRE, 23MM SYNCHRONIZED, TWIN-BARREL CANNON
- 8) CO-PILOT OPERATED, REMOTE HALOGEN SPOTLIGHT
- 9) REMOTE-TARGETING, PILOT-OPERATED 19MM MACHINE GUN
- 10) MISSILE ACTIVATOR
- 11) BLAST DEFLECTOR SHIELD
- 12) PORT/STARBOARD SHORE-ASSAULT 55MM CANNONS
- 13) RETRACTABLE, FORWARD-LAUNCHING MISSILE BOX
- 14) MISSILE LAUNCHER COOLING DUCT
- 15) UNDERWATER EXHAUST PORTS
- 16) ANGULAR-LAUNCH, SURFACE-SWIMMING TORPEDO
- 17) CARBON-FIBER REINFORCED, LAMINATED SINGLE-V HULL
- 18) HYDROFOILS
- 19) 75 POUND, 9 INCH DEPTH CHARGER CANISTER
- 20) HE-J-180 AIR-TO-WATER MISSILE



Free Manuals Download Website

<http://myh66.com>

<http://usermanuals.us>

<http://www.somanuals.com>

<http://www.4manuals.cc>

<http://www.manual-lib.com>

<http://www.404manual.com>

<http://www.luxmanual.com>

<http://aubethermostatmanual.com>

Golf course search by state

<http://golfingnear.com>

Email search by domain

<http://emailbydomain.com>

Auto manuals search

<http://auto.somanuals.com>

TV manuals search

<http://tv.somanuals.com>