



# Ice Hammer<sup>TM</sup>

Vehicle

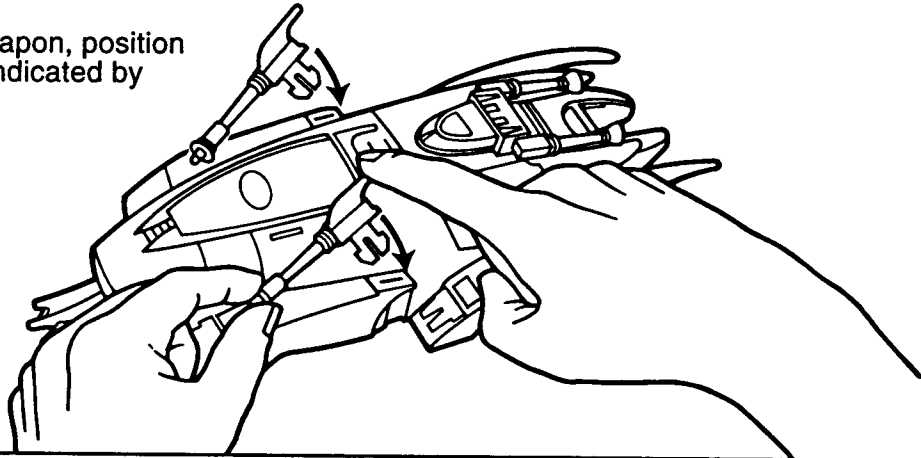
## INSTRUCTIONS

BATMAN and all related elements are the property of DC Comics. TM & © 1994 All Rights Reserved.

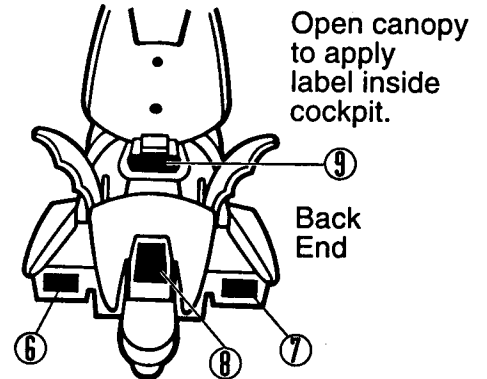
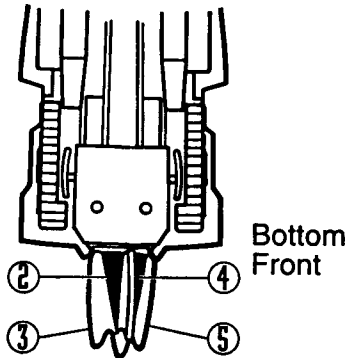
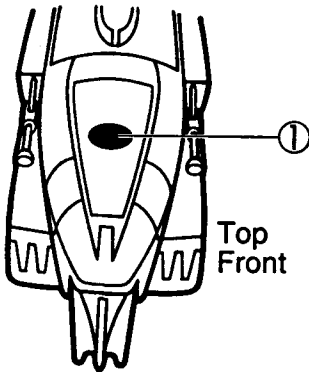


\*© Kenner, A Division of Tonka Corporation, Cincinnati, Ohio 45202

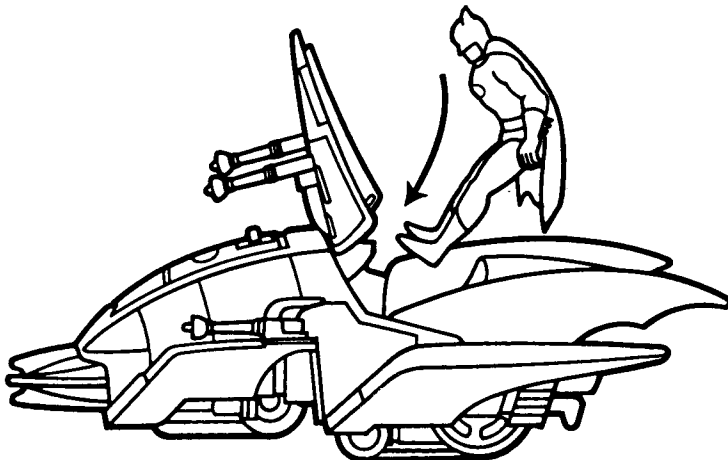
- 1** To assemble each side weapon, position as shown. Push down as indicated by the arrow.



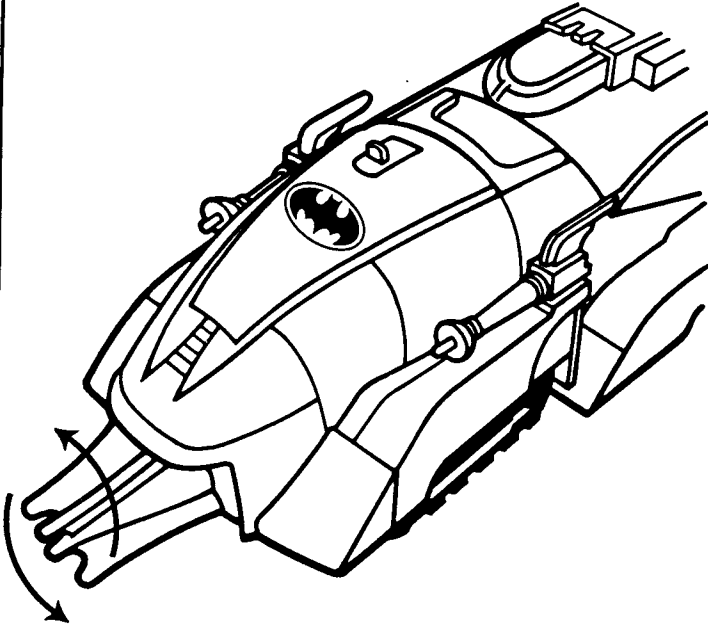
- 2** Apply labels following numbers on label sheet using this illustration as a guide.



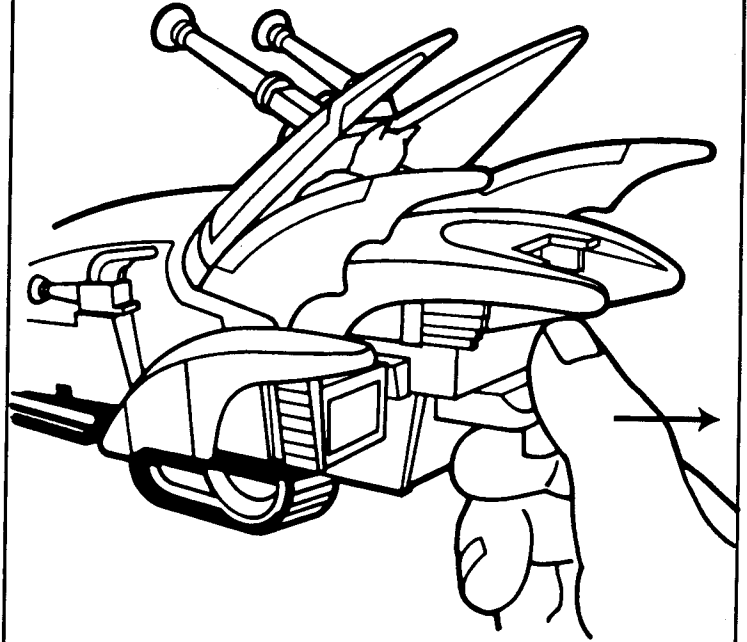
- 3** Most Batman: *The Animated Series* figures will fit into the cockpit. Raise canopy shield and insert figure in a seated position with arms down. When inside, tilt figure back into place.



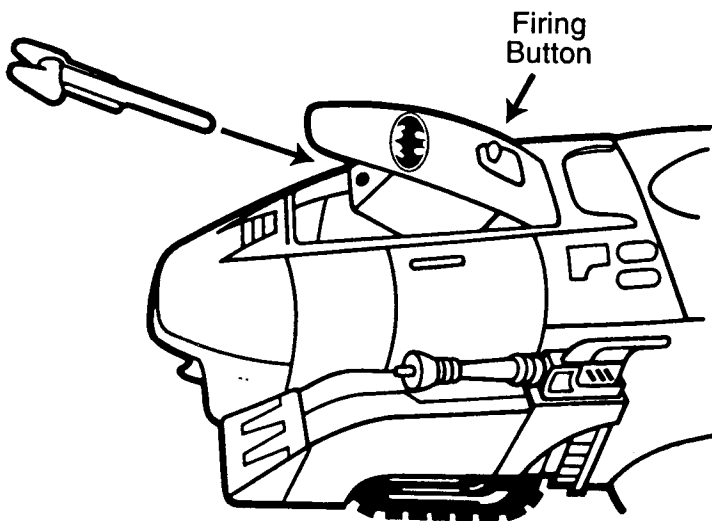
**4** As you roll the vehicle, the "ice" drill will pretend to "cut through" anything in its path.



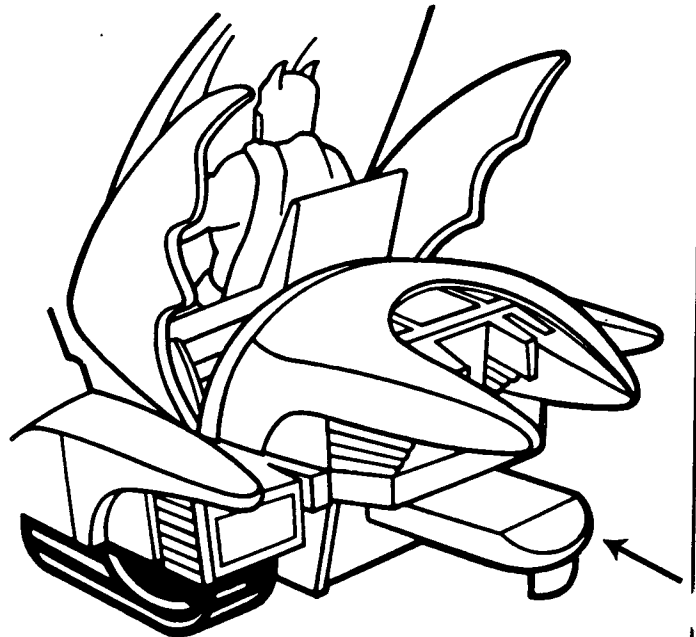
**5** Pull lever back for action mode. Guns can be pivoted forward.



**6** Load missile into launcher until it clicks. Press button to fire.



**7** Return to ice drilling mode by retracting lever and closing canopy.



## Free Manuals Download Website

<http://myh66.com>

<http://usermanuals.us>

<http://www.somanuals.com>

<http://www.4manuals.cc>

<http://www.manual-lib.com>

<http://www.404manual.com>

<http://www.luxmanual.com>

<http://aubethermostatmanual.com>

Golf course search by state

<http://golfingnear.com>

Email search by domain

<http://emailbydomain.com>

Auto manuals search

<http://auto.somanuals.com>

TV manuals search

<http://tv.somanuals.com>