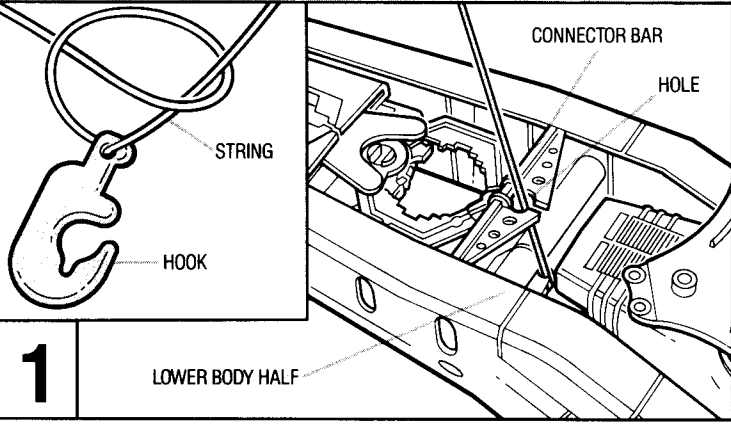


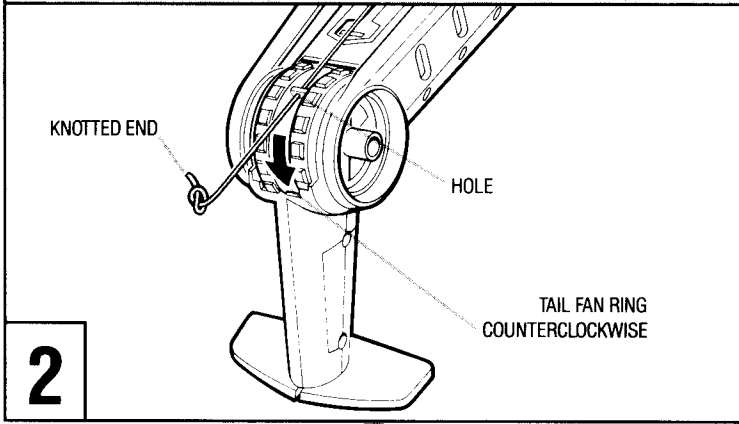
Contains: Body, bomb ramp, bomb slider, winch hook, string, clutch ring, ducted fan, rotor hub cap, nose cap, left & right missile pods, gatling gun, landing skids, 2 tail fans, 9 bombs, 4 missiles, 4 rotor blades, 4 blade tips, canopy, "UPDRAFT"™ figure, 2 seat belts, G.I. Joe folder, label sheet, instructions and blueprints.

### STRING & HOOK ASSEMBLY



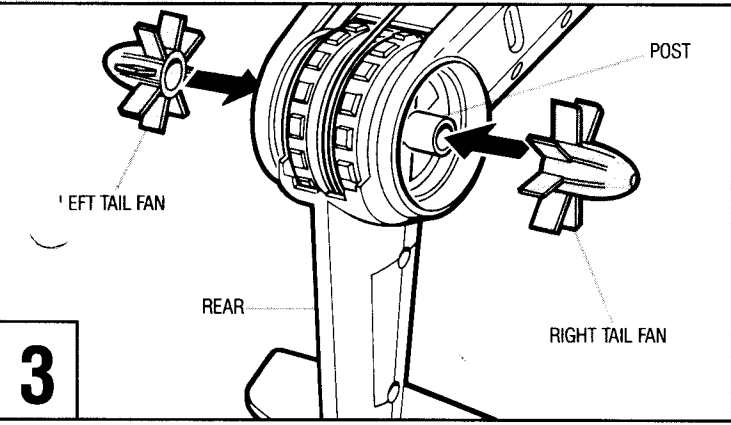
1

### STRING INSTALLATION



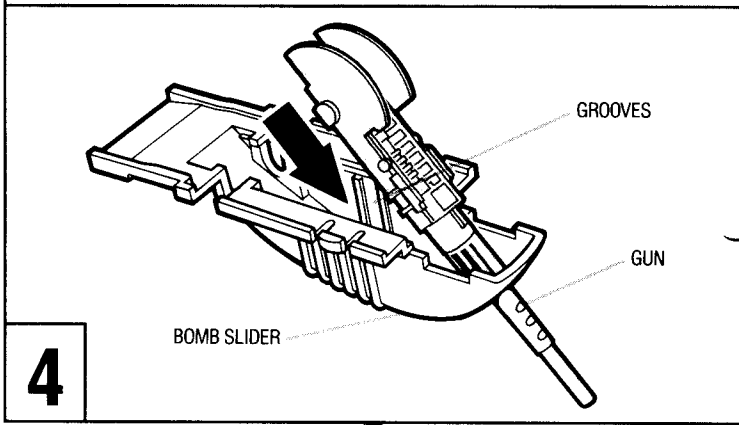
2

### TAIL FAN INSTALLATION



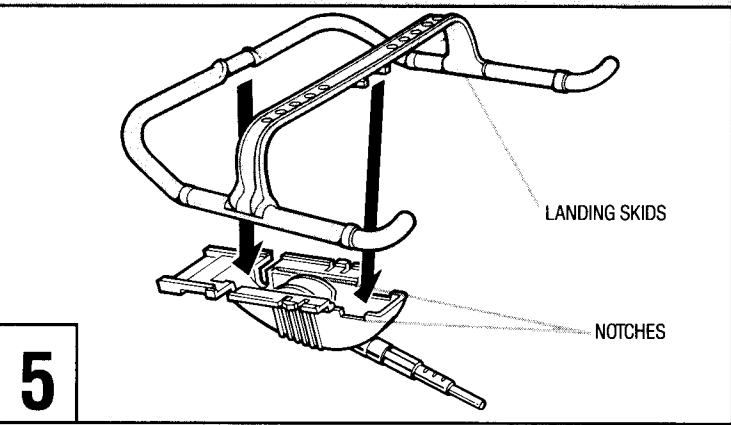
3

### BOMB SLIDER ASSEMBLY



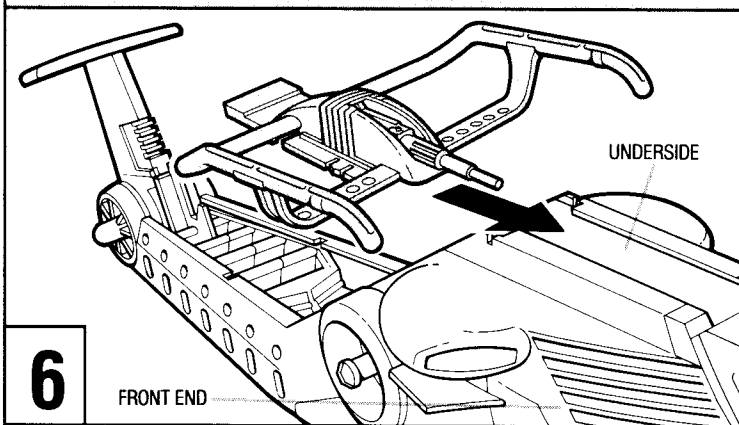
4

### LANDING SKIDS INSTALLATION



5

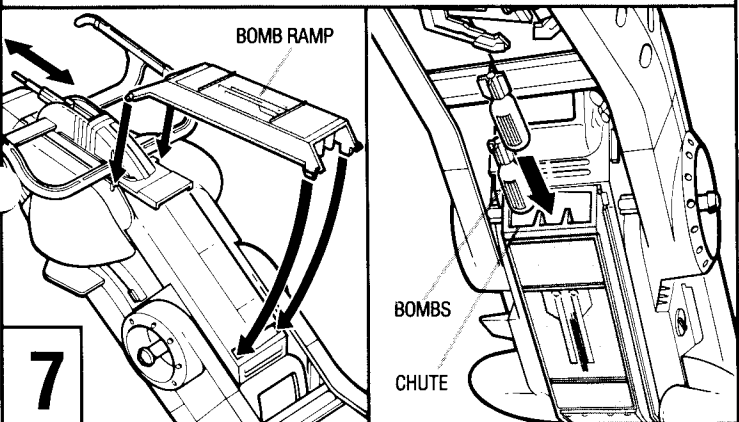
### BOMB SLIDER INSTALLATION



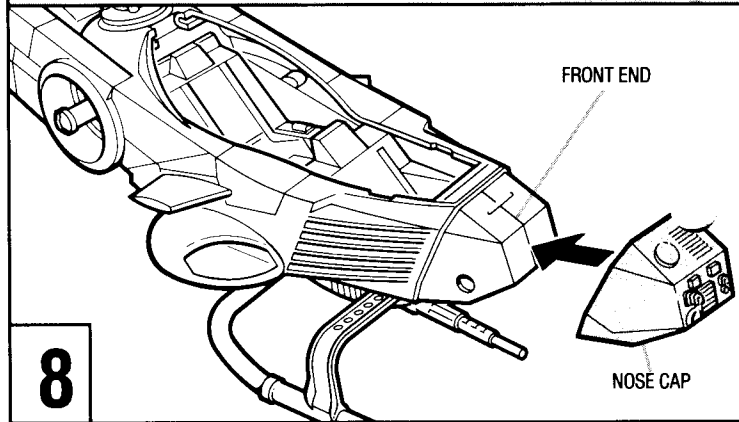
6

- 1 Tie hook to end of string. Feed string through hole in lower body half connector bar as shown. (ILL. 1)
- 2 Insert knotted end of string through hole in tail fan and tie knot as shown. Wind up string by spinning tail fan ring counterclockwise as shown. (ILL. 2)
- 3 Snap left and right tail fans over posts on rear of chopper. (ILL. 3)
- 4 Turn bomb slider upside down. Place front end of gun between grooves in bomb slider as shown. (ILL. 4)
- 5 Place landing skids into notches in bomb slider as shown. (ILL. 5)
- 6 Turn bomb slider right side up. Slide bomb slider onto underside of chopper front end. (ILL. 6)

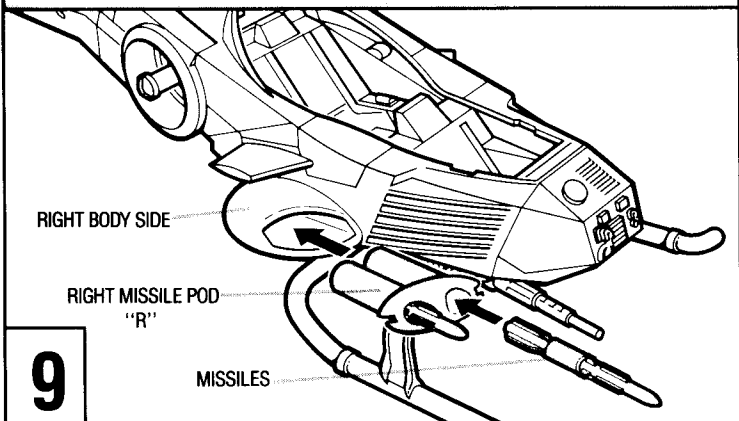
### BOMB RAMP INSTALLATION/BOMB LOADING & ACTIVATION



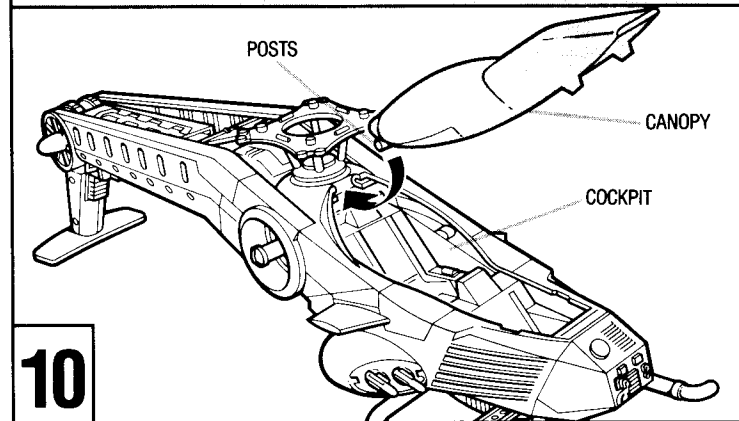
### NOSE CAP INSTALLATION



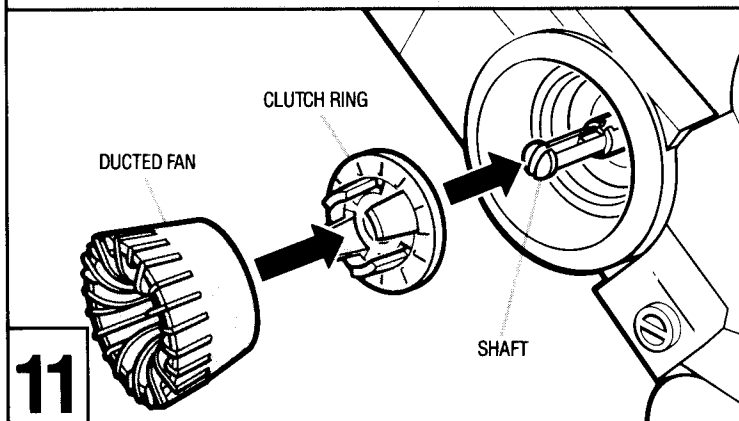
### MISSILE POD INSTALLATION



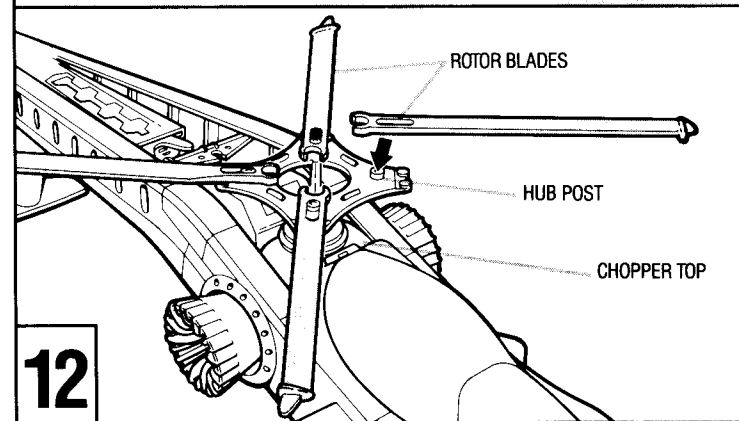
### CANOPY INSTALLATION



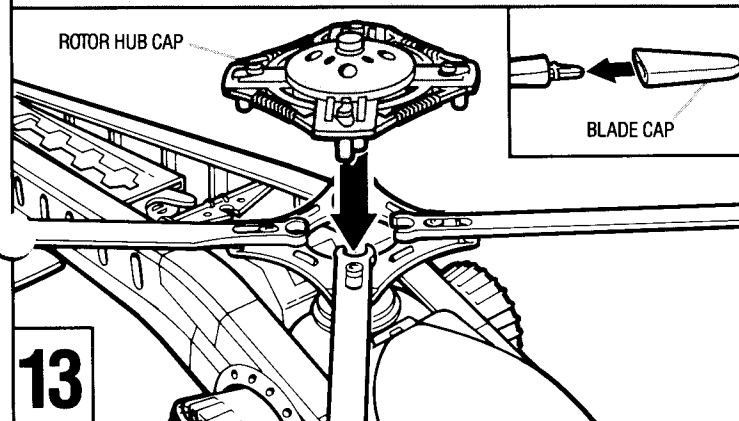
### DUCTED FAN ASSEMBLY



### ROTOR BLADE ASSEMBLY



### ROTOR HUB ASSEMBLY



**7** Snap posts on bomb ramp into grooves in body as shown. To load bombs, slide 3 bombs into each chute in rear of bomb ramp. To release bombs, slide bomb slider forward. (ILL. 7)

**8** Snap nose cap over front of chopper. (ILL. 8)

**9** With front end of chopper facing outward, fit right missile pod, labeled "R", into hole in right body side. Repeat for left missile pod, labeled "L". Fit missiles into missile pods as shown. (ILL. 9)

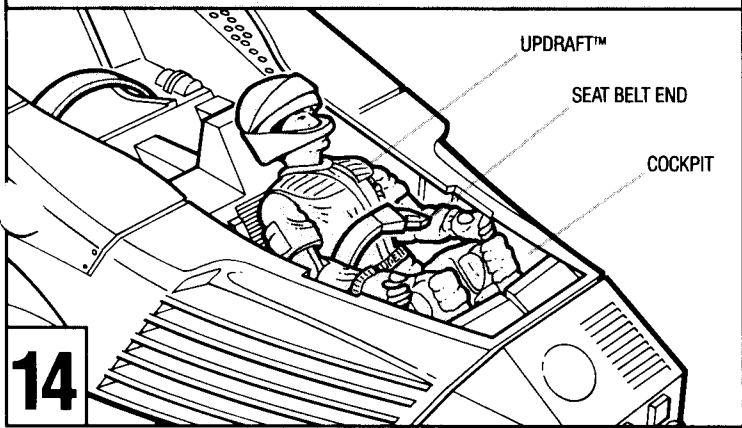
**10** Fit right side of canopy post into slot in cockpit, then snap left side end into cockpit. (ILL. 10)

**11** Align tab on clutch ring with slot in chopper shaft and press firmly into place. Snap ducted fan over shaft as shown. Repeat for other clutch ring and ducted fan. (ILL. 11)

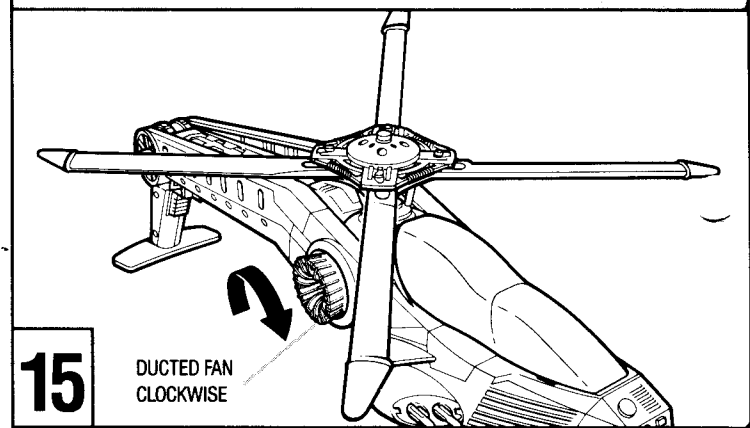
**12** Snap rotor blades (4) over posts on rotor blade hub on chopper top. (ILL. 12)

**13** Snap posts on rotor hub cap into holes in rotor hub. Snap blade caps onto ends of rotor blades. (ILL. 13)

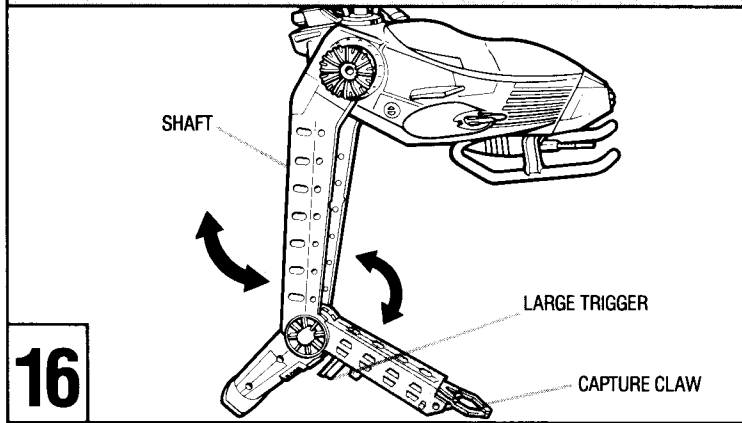
### SEAT BELT/FIGURE INSTALLATION



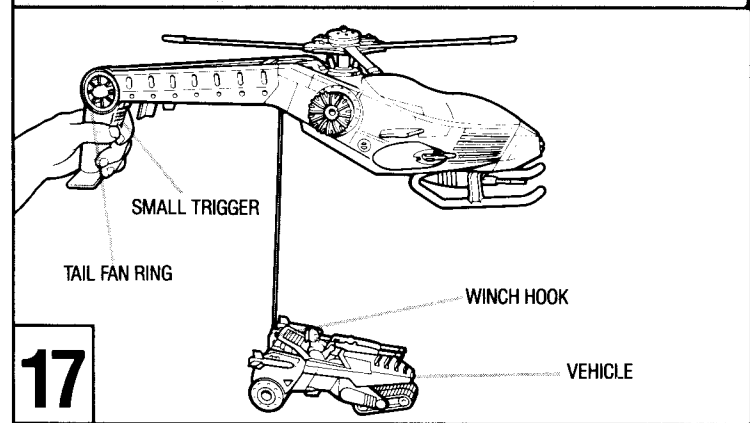
### ROTOR BLADE OPERATION



### CAPTURE CLAW ACTIVATION



### WINCH HOOK OPERATION



Fit seat belt ends into holes in cockpit. Insert UPDRAFT™ pilot into front cockpit seat and swing down other end of seat belt and fit into hole. (ILL. 14)

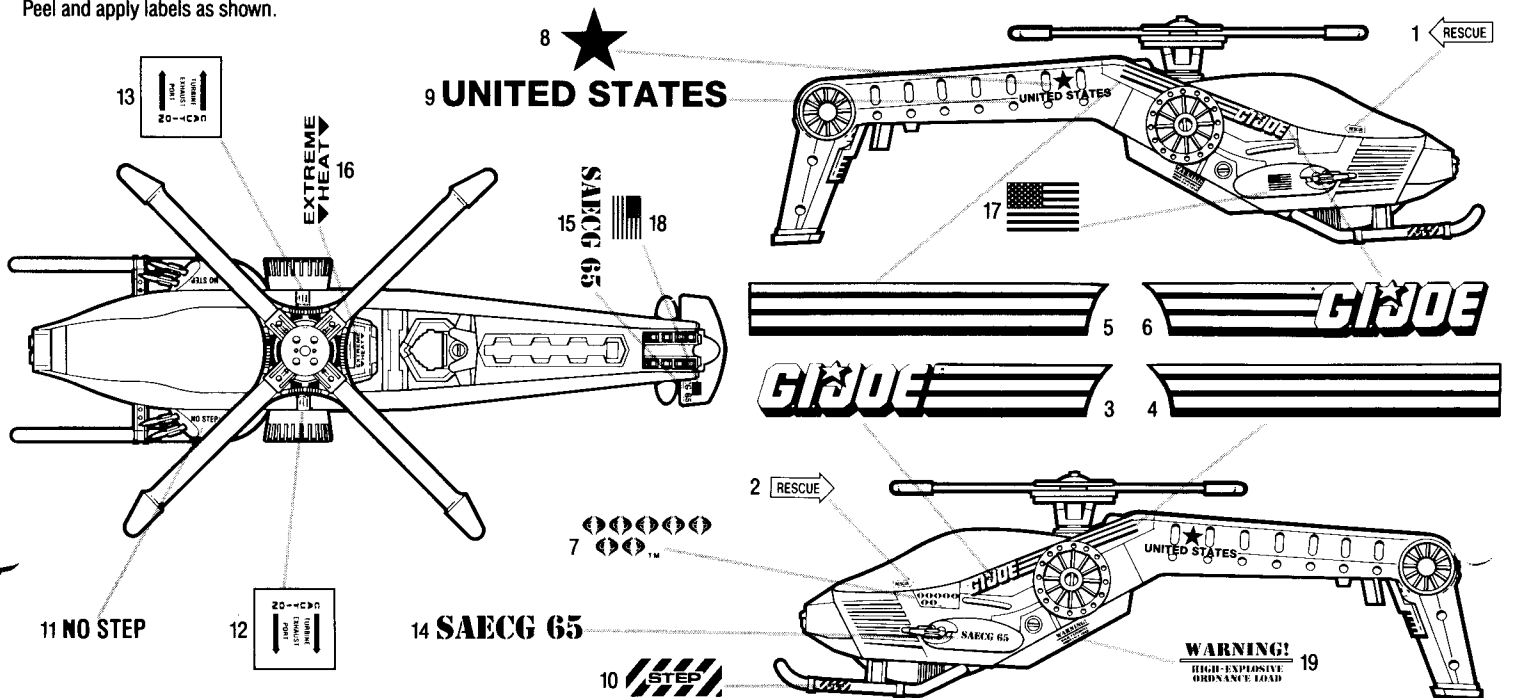
**15** To activate rotor blades, and with chopper front end facing away from you, spin ducted fan in a clockwise direction. (ILL. 15) **CAUTION:** Keep rotor blades away from eyes and face.

**16** To operate capture claw, hold rear end of chopper and pull claw downward as shown. Pull large trigger to open claw, release trigger to close. (NOTE: Chopper shaft can be vertically extended as shown.) To resume in-flight mode, swing up claw and snap back into chopper shaft. (ILL. 16)

**17** To activate winch, pull trigger then pull hook down and attach to vehicle (sold separately). To raise vehicle, spin tail fan ring in a counterclockwise direction. To lower vehicle pull small trigger. (ILL. 17)

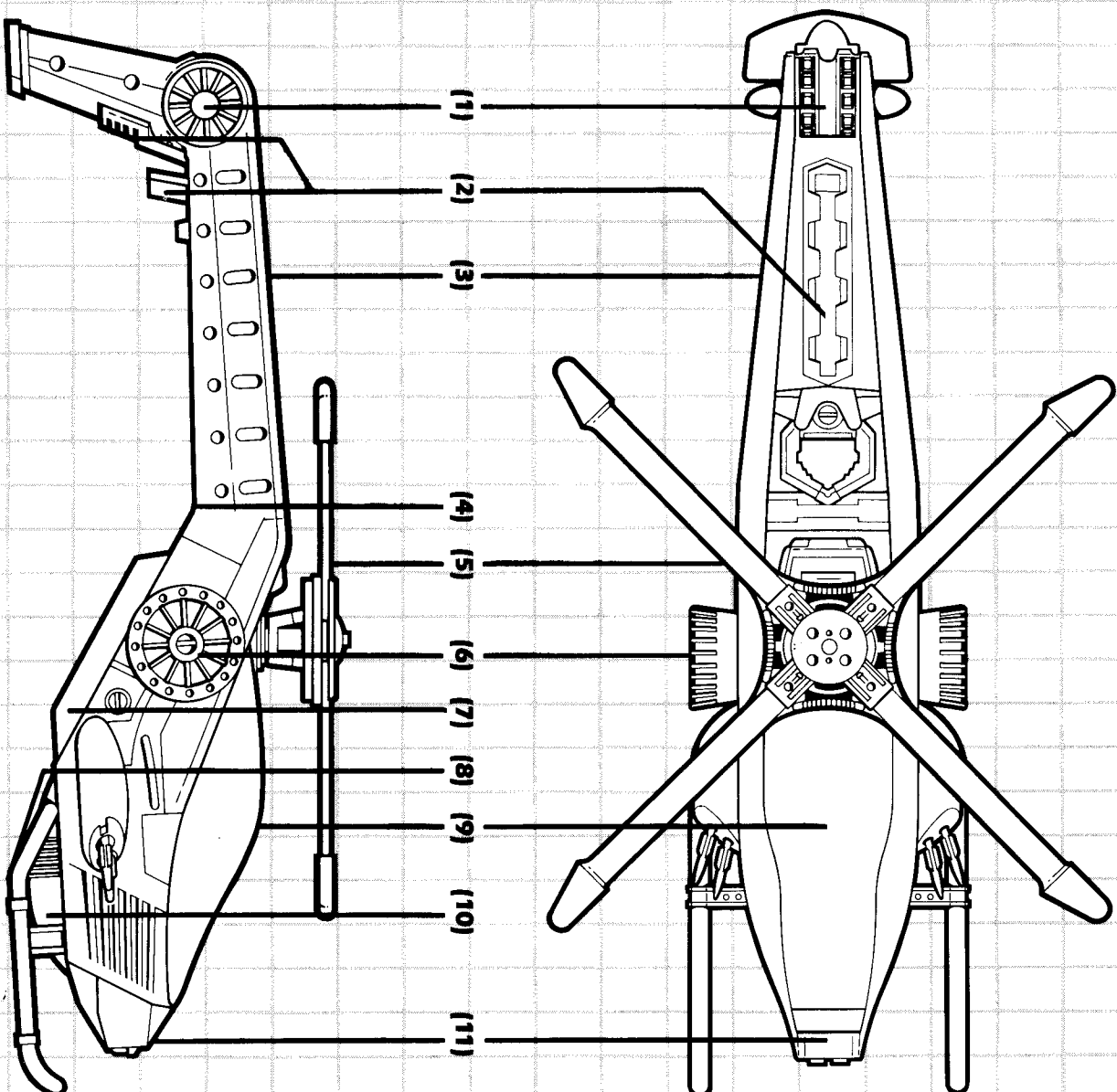
©1990 Hasbro, Inc., Pawtucket, RI 02862 U.S.A. All Rights Reserved. **VEHICLE MADE IN U.S.A. FIGURE MADE IN CHINA.** 6339 P/N 41212400

Peel and apply labels as shown.



# G.I. JOE<sup>®</sup> RETAALIATOR<sup>™</sup>

- 1) REVERSE DRIVE, DIRECTIONAL STABILIZER WITH INDUCTIVE FAN
- 2) MANUAL ACTIVATION, MATERIAL LIFT SYSTEM
- 3) AERODYNAMICALLY DESIGNED BODY SHAFT
- 4) MAGNA-TORQUE, QUICK ELEVATION TOW HOOK
- 5) QUAD 90, SUPER SPEED ROTOR BLADES
- 6) TURBO-CHARGED, HIGH VELOCITY THRUSTER HOVER FANS
- 7) UPWARD SLIDE, TRIPLE-BOMB BAY RELEASE AREA
- 8) SMOOTH TOUCHDOWN LANDING SKIDS
- 9) PROTECTIVE WINDSCREEN/CANOPY TINTED WITH ANTI-ULTRAVIOLET COATING
- 10) 60-CALIBRE, HOT-SPOT MACHINE GUN
- 11) FRONT END RADAR DETECTION MODULATOR AND TRANSMISSION CENTER



## Free Manuals Download Website

<http://myh66.com>

<http://usermanuals.us>

<http://www.somanuals.com>

<http://www.4manuals.cc>

<http://www.manual-lib.com>

<http://www.404manual.com>

<http://www.luxmanual.com>

<http://aubethermostatmanual.com>

Golf course search by state

<http://golfingnear.com>

Email search by domain

<http://emailbydomain.com>

Auto manuals search

<http://auto.somanuals.com>

TV manuals search

<http://tv.somanuals.com>