

06724

AGES 3+



Sonic Hover-Jet™

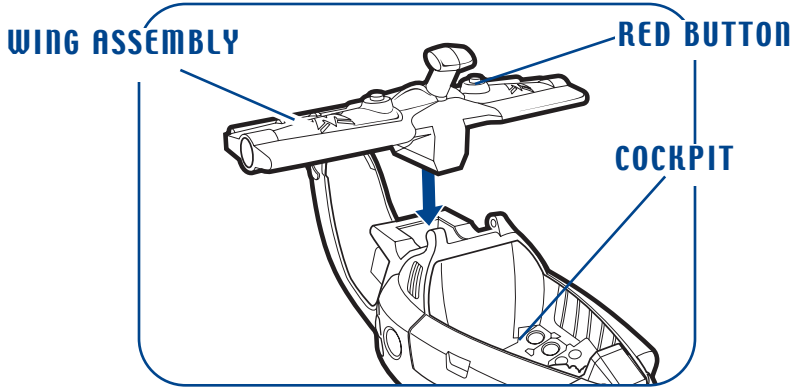
Thank you for choosing this awesome MAJOR POWERS
STAR SQUAD toy!



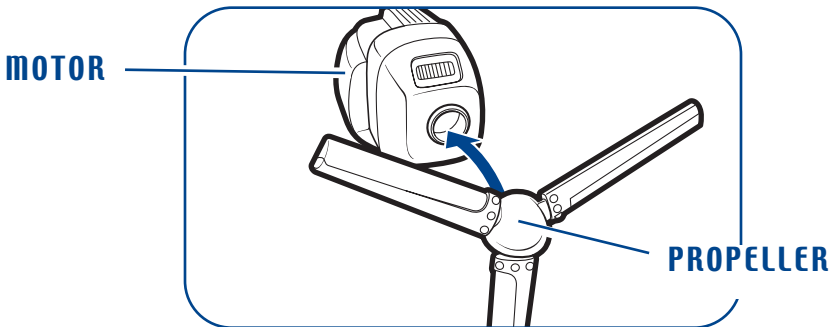
Adult Assembly Required.

ASSEMBLY

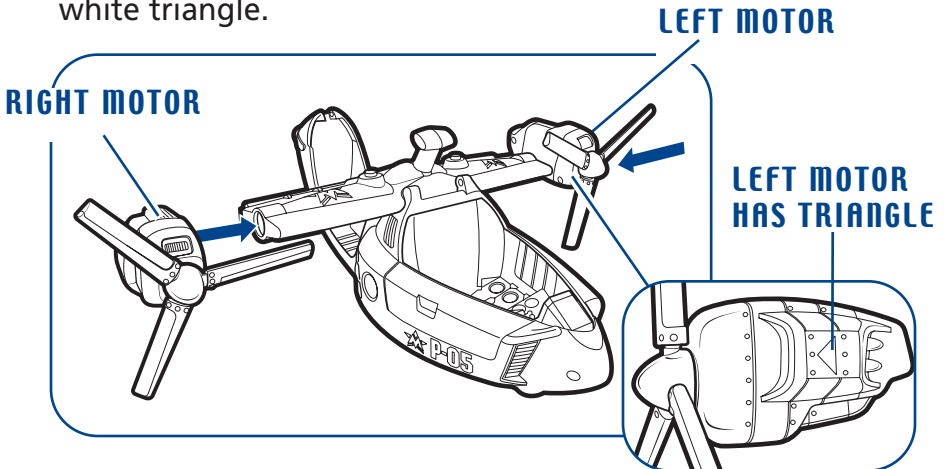
1. Snap wing assembly onto plane.



2. Snap propellers onto motors.

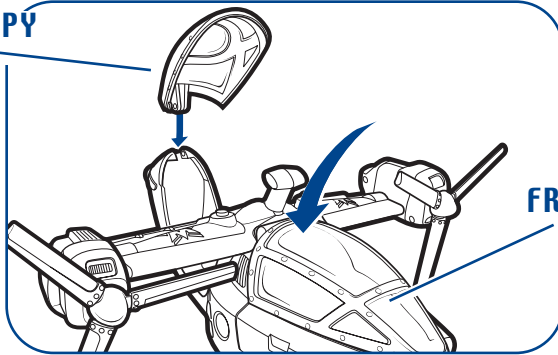


3. Properly align motors with notches in wing sockets, as shown. Motors will snap securely into place. Left side motor has white triangle.



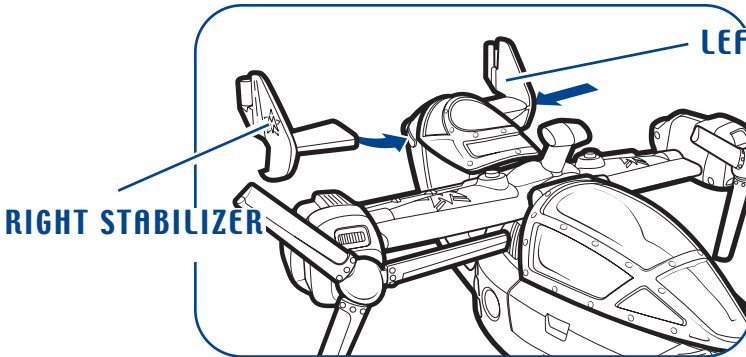
4. Apply labels 7-16 as shown below prior to assembling canopy. Snap front and rear cockpit canopies onto plane.

REAR CANOPY



FRONT CANOPY

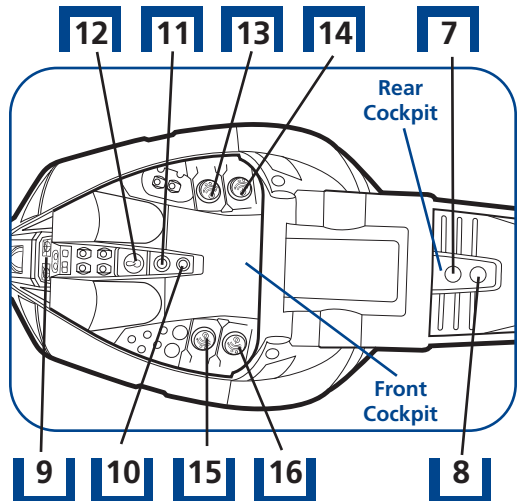
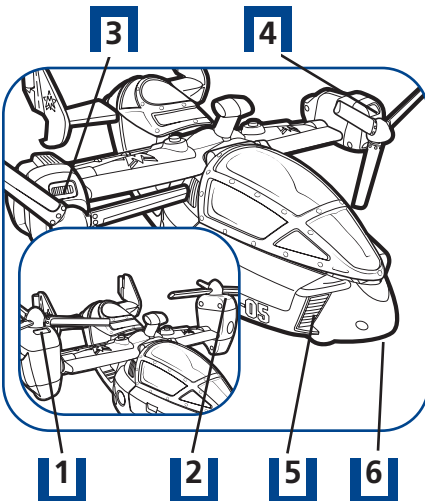
5. Snap left and right stabilizers onto fuselage.



LEFT STABILIZER

RIGHT STABILIZER

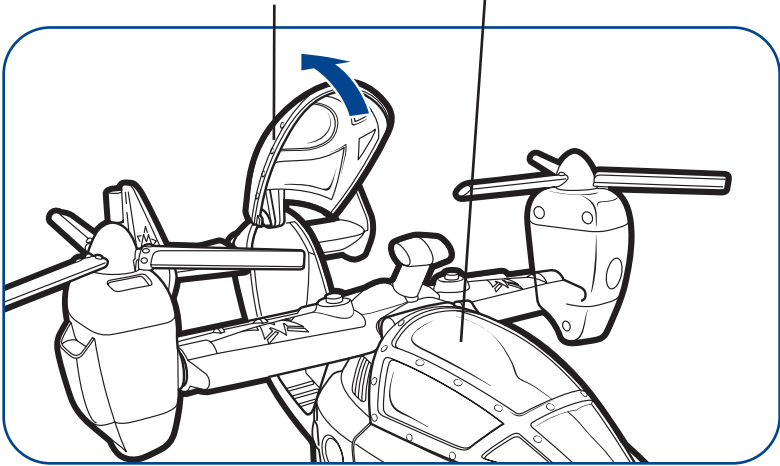
6. Peel and apply labels as shown. Note: #6 is opposite of #5.



PLAY FEATURES

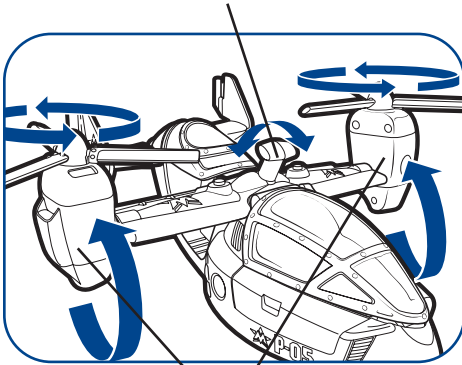
Together, you and Captain Jumpjet Flier™ can take command of the skies with this “super-charged high-tech” helicopter!

Flip up front or rear cockpit canopies and place CAPTAIN JUMPJET FLIER figure inside!



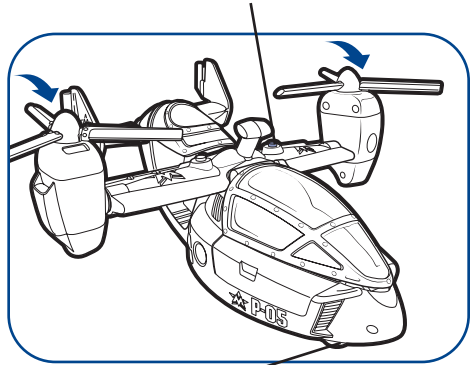
Also holds other MAJOR POWERS STAR SQUAD figures (not included).

Crank shift arm to rotate propellers!



Flip up wing assembly...the jet becomes a “high-tech” helicopter!

Push button to flip down wing assembly to change into jet mode!



Free-rolling wheels let you taxi the aircraft into position for take-off!



© 2003 Hasbro. All Rights Reserved.
® denotes Reg. U.S. Pat. & TM Office.
06724 P/N 6299320000

PLAYSKOOL.COM
FOR NEW PRODUCTS AND OFFERS
Questions? Call: 1-800-PLAYSKL

Free Manuals Download Website

<http://myh66.com>

<http://usermanuals.us>

<http://www.somanuals.com>

<http://www.4manuals.cc>

<http://www.manual-lib.com>

<http://www.404manual.com>

<http://www.luxmanual.com>

<http://aubethermostatmanual.com>

Golf course search by state

<http://golfingnear.com>

Email search by domain

<http://emailbydomain.com>

Auto manuals search

<http://auto.somanuals.com>

TV manuals search

<http://tv.somanuals.com>