

YAHOO!



Downloader Instruction

Ages 5 & Up
Item No. 02015

For more details on using your Yahoo! HitClips Downloader, visit www.tigertoys.com and click on the icon.

WARNING:
CHOKING HAZARD - SMALL PARTS.
NOT FOR CHILDREN UNDER 3 YEARS.

Note # 4: If you do not have external speakers or headphones you can still use the HitClips Downloader, but you will not be able to hear the sounds at the same time as you are recording (Refer to the section on How to Record).

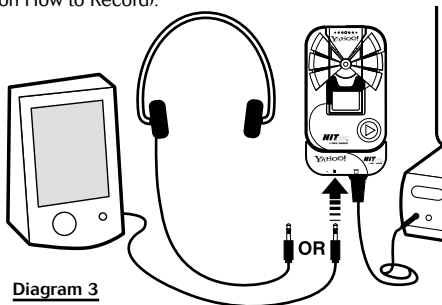


Diagram 3

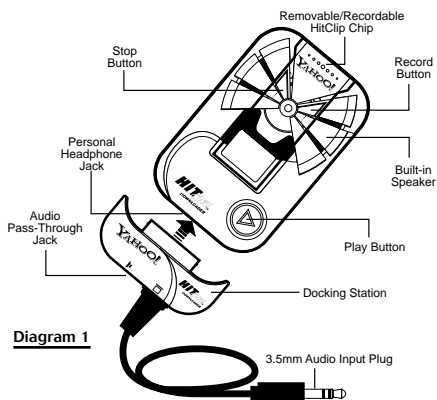


Diagram 1

- Place HitClips Recordable Chip into Player as shown in Diagram 4.
- Place the Player unit into the docking station.

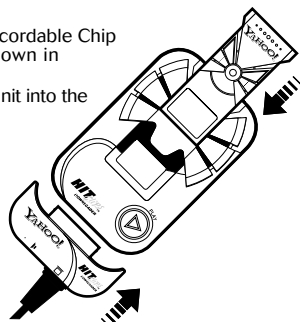


Diagram 4

Recording onto your HitClips Recordable Chip

- Place the Recordable Chip into the Downloader.
- Make sure that all cables are attached as described above
- Depress the REC button located on the Recordable chip. (See Diagram 1)
- The red light in the middle of the Chip will start to blink on and off. This indicates that the Downloader is ready to record.
Note: The Yahoo! HitClips Downloader will record almost any sound that can be played or heard through the speakers of your computer, provided they are played at a high enough volume level. (See section 6)
- Play the sounds or music on your computer as you would normally do.
- The HitClips Downloader will automatically start recording when it senses sound being passed through the system.
Note # 1: Before recording, set your computer's output volume at about 50% of full.
Note # 2: If the Downloader does NOT start recording, try turning the output volume, on your computer, up until it is at a level that activates recording.
Note # 3: Playback sound volume will vary depending upon the output volume on your computer.
Note # 4: By changing your computer's output volume, you can change the way your recording sounds. You can experiment by adjusting the output volume during recording then playing back your recording on the player.
- You will know you are recording when the blinking light stops blinking and stays on bright red. The Recordable Chip that comes with the Downloader will record for approximately 2 minutes. Time may vary depending on sound quality and complexity of the sounds being recorded.
 - You can monitor what you are recording if you have attached external speakers or headphones to the Pass-through jack on the docking station.
 - If you do not attach speakers or headphones, you will not be able to hear the sounds that you are recording.
- When the Red Light on the Recordable Chip goes off, the recording has stopped.
- You can stop recording manually by depressing the STOP button on the Recordable chip. (See Diagram 1)
- Your Recordable Chip can be used over and over again.

Getting Started

Your new Yahoo! HitClips Downloader can record sounds and music right off of your computer and the internet without any special software, or use of a Comm Port. It plugs right into your external speaker or headphone output jack.

- Install batteries as described below.
- Plug the built-in input plug into your computer's external speaker or headphone jack. If you have trouble finding this jack, check the user manual for your computer.

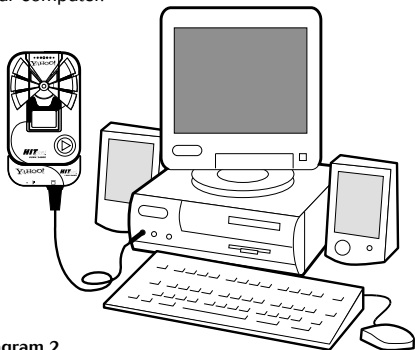


Diagram 2

- In order to continue to hear music, you must now attach your external speakers or headphones to the Pass-through jack located on the HitClips Downloader's docking station (See Diagram 3)

Note # 1: If you do not plug external speakers or headphones into the Pass-through jack you will NOT be able to hear what you are recording or the sound from your computer.

Note # 2: Once the docking station is set up, you can leave it attached to your computer as well as leave the external speakers attached to the Pass-through jack.

Note # 3: Pass-through function is only to monitor sounds. Not to indicate recorded sound level.

Playing Your New Recording

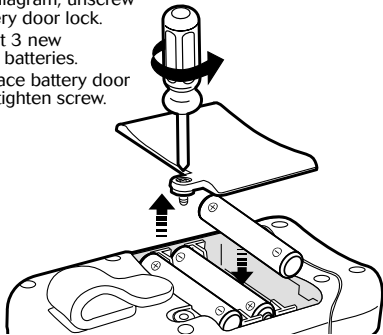
1. Simply press the PLAY button located on the Downloader to play and replay recording in the Recordable chip.
2. To stop playing, press the STOP button on the chip itself.
3. To use a personal headphone set (not included) to hear your recording, remove the Downloader from the Docking Station and insert Headphone plug in to headphone jack located on the bottom of the Downloader. (See Diagram 1)

Playing HitClip Singles

1. Your Yahoo! HitClips Downloader can also play all HitClip Chips.
2. Simply put separately sold HitClip Singles into the Downloader and press PLAY to start and stop music.

Battery Installation

1. Per diagram, unscrew battery door lock.
2. Insert 3 new AAA batteries.
3. Replace battery door and tighten screw.



To ensure proper function

- Do not mix old and new batteries.
- Do not mix alkaline, standard (carbon zinc), or rechargeable batteries (nickel-cadmium).
- Battery installation should be done by an adult.
- Non-rechargeable batteries are not to be recharged.
- Rechargeable batteries are to be removed from the toy before being recharged (if removable).
- Rechargeable batteries are only to be charged under adult supervision (if removable).
- Only batteries of the same or equivalent type as recommended are to be used.
- Batteries are to be inserted with correct polarity.
- Exhausted batteries are to be removed from the toy.
- The supply terminals are not to be short-circuited.

DO NOT DISPOSE OF BATTERIES IN FIRE, BATTERIES MAY EXPLODE OR LEAK.

Compliance

Use of this product does not constitute permission or endorsement to copy or distribute any sound or music data or form.

Please carefully check and comply with all current federal, state and local laws whenever downloading information from the web or internet. Some sites may contain information that is in appropriate or wrongly acquired. The use of this product requires the user verify ownership, distribution and reproduction rights of any sound content before downloading.

90-Day Limited Warranty

Tiger Electronics, Ltd. (Tiger) warrants to the original consumer purchaser of this product that the product will be free from defects in materials or workmanship for 90 days from the date of original purchase. This warranty does not cover damages resulting from accident, negligence, improper service or use or other causes not arising out of defects in materials or workmanship.

During this 90-day warranty period, the product will either be repaired or replaced (at Tiger's option) without charge to the purchaser, when returned with proof of the date of purchase to either the dealer or to Tiger.

Product returned to Tiger without proof of the date of purchase or after the 90-day warranty period has expired, but prior to one year from the original date of purchase, will be repaired or replaced (at Tiger's option) for a service fee of U.S. \$10. Payments must be by check or money order payable to Tiger Electronics, Ltd.

The foregoing states the purchaser's sole and exclusive remedy for any breach of warranty with respect to the product.

All product returned must be shipped prepaid and insured for loss or damage to:

Tiger Repair Department
1000 N. Butterfield Road, Unit 1023
Vernon Hills, IL 60061, U.S.A.

The product should be carefully packed in the original box or other packing materials sufficient to avoid damage during shipment. Include a complete written description of the defect, a check if product is beyond the 90-day warranty period, and your printed name, address and telephone number.

THIS WARRANTY IS IN LIEU OF ALL OTHER WARRANTIES AND NO OTHER REPRESENTATIONS OR CLAIMS OF ANY NATURE SHALL BE BINDING ON OR OBLIGATE TIGER IN ANY WAY. ANY IMPLIED WARRANTIES APPLICABLE TO THIS PRODUCT, INCLUDING WARRANTIES OF MERCHANTABILITY AND FITNESS FOR A PARTICULAR PURPOSE, ARE LIMITED TO THE NINETY (90) DAY PERIOD DESCRIBED ABOVE. IN NO EVENT WILL TIGER BE LIABLE FOR ANY SPECIAL, INCIDENTAL, OR CONSEQUENTIAL DAMAGES RESULTING FROM POSSESSION, USE, OR MALFUNCTION OF THIS PRODUCT.

Some states do not allow limitations as to how long an implied warranty lasts and/or exclusions or limitations of incidental or consequential damages, so the above limitations and/or exclusions of liability may not apply to you. This warranty gives you specific rights, and you may also have other rights, which vary, from state to state.

FCC Statement

This device complies with Part 15 of the FCC Rules. Operation is subject to the following two conditions:

- (1) This device may not cause harmful interference, and
- (2) This device must accept any interference received, including interference that may cause undesired operation.

Warning: Changes or modifications to this unit not expressly approved by the party responsible for compliance could void the user's authority to operate the equipment.

NOTE: This equipment has been tested and found to comply with the limits for a Class B digital device, pursuant to Part 15 of the FCC Rules. These limits are designed to provide reasonable protection against harmful interference in a residential installation. This equipment generates, uses and can radiate radio frequency energy and, if not installed and used in accordance with the instructions, may cause harmful interference to radio communications.

However, there is no guarantee that interference will not occur in a particular installation. If this equipment does cause harmful interference to radio or television reception, which can be determined by turning the equipment off and on, the user is encouraged to try to correct the interference by one or more of the following measures:

- Reorient or relocate the receiving antenna.
- Increase the separation between the equipment and receiver.
- Connect the equipment into an outlet on a circuit different from that to which the receiver is needed.
- Consult the dealer or an experienced radio/TV technician for help.

For more information about Tiger Electronics, our products and special promotions, please visit our web site at: www.tigertoys.com

Please retain instructions for future reference.



© TM. & © 2000 Tiger Electronics, Ltd.
© 2000 Yahoo! Inc. All rights reserved.
All rights reserved.
980 Woodlands Parkway,
Vernon Hills, Illinois 60061, U.S.A.
PRINTED IN CHINA

020090001IWTI-03

Free Manuals Download Website

<http://myh66.com>

<http://usermanuals.us>

<http://www.somanuals.com>

<http://www.4manuals.cc>

<http://www.manual-lib.com>

<http://www.404manual.com>

<http://www.luxmanual.com>

<http://aubethermostatmanual.com>

Golf course search by state

<http://golfingnear.com>

Email search by domain

<http://emailbydomain.com>

Auto manuals search

<http://auto.somanuals.com>

TV manuals search

<http://tv.somanuals.com>