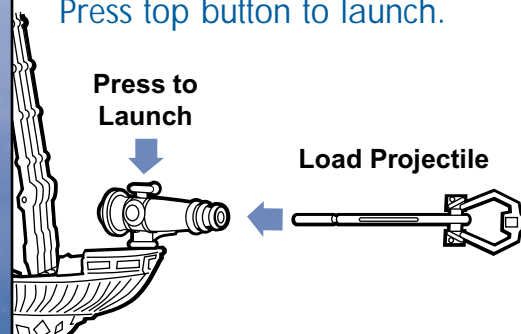


# Loading The Projectiles

## Launchers

Insert projectile into front of launcher as shown.

Press top button to launch.

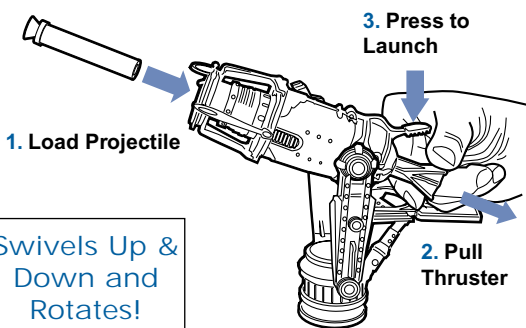


## Cannon

Insert cannon projectile into front of launcher as shown.

Pull out thruster mechanism. Thruster locks in place.

Press trigger to launch.



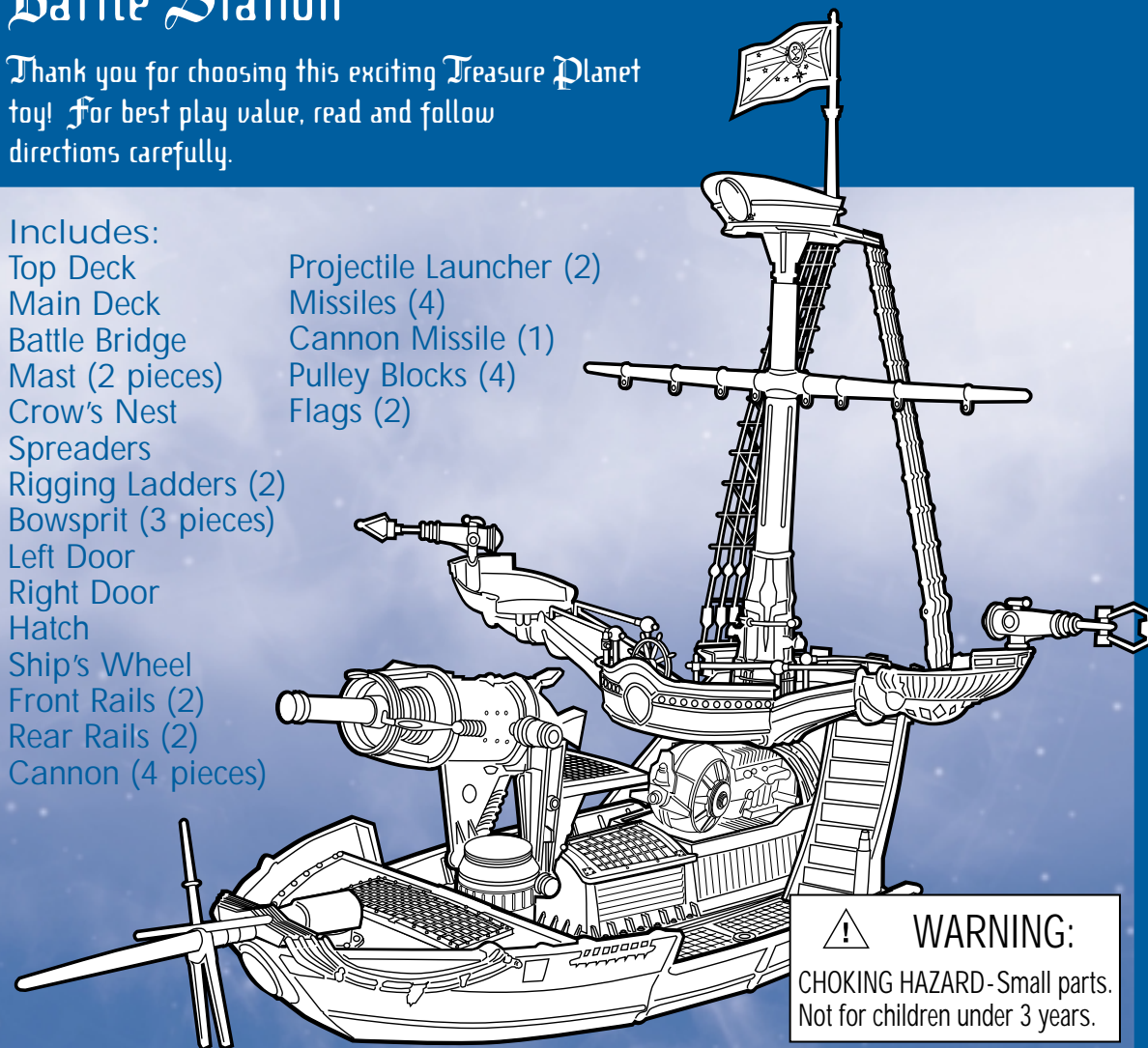
## Blastin' Action Battle Station

Thank you for choosing this exciting Treasure Planet toy! For best play value, read and follow directions carefully.

Includes:

- Top Deck
- Main Deck
- Battle Bridge
- Mast (2 pieces)
- Crow's Nest
- Spreaders
- Rigging Ladders (2)
- Bowsprit (3 pieces)
- Left Door
- Right Door
- Hatch
- Ship's Wheel
- Front Rails (2)
- Rear Rails (2)
- Cannon (4 pieces)

- Projectile Launcher (2)
- Missiles (4)
- Cannon Missile (1)
- Pulley Blocks (4)
- Flags (2)



**WARNING:**  
CHOKING HAZARD-Small parts.  
Not for children under 3 years.



Not suitable for children under 36 months due to small parts, choking hazard.

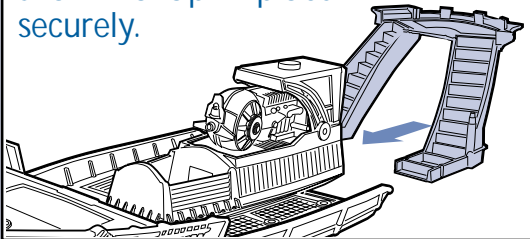


HASBRO.COM  
FOR NEW PRODUCTS AND OFFERS

Questions? Call: 1-800-327-8264

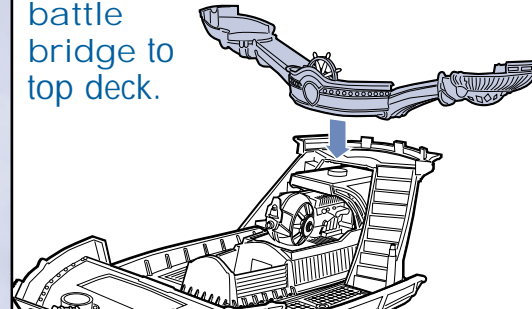
Step 1

Slide main deck and top deck together as shown. Snap in place securely.



Step 2

Attach battle bridge to top deck.



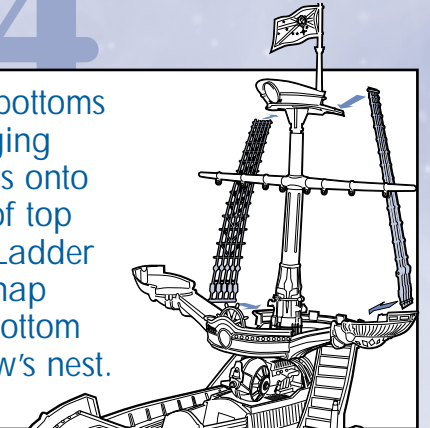
Step 3

Mast base fits into top deck. Mast mid-section fits into base. Attach spreaders and crow's nest to mast.



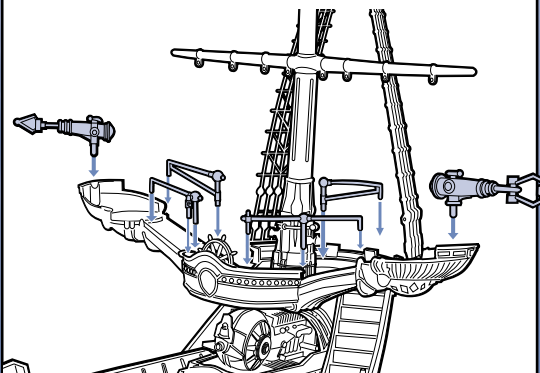
Step 4

Snap bottoms of rigging ladders onto back of top deck. Ladder tops snap onto bottom of crow's nest.



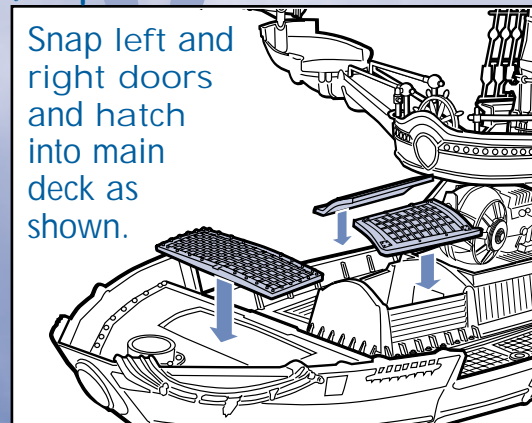
Step 5

Attach front rails (2) and rear rails (2) onto bridge as shown. Press-fit projectile launchers into battle bridge stations.



Step 6

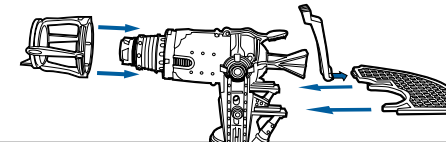
Snap left and right doors and hatch into main deck as shown.



Step 7a

Cannon Sub-Assembly

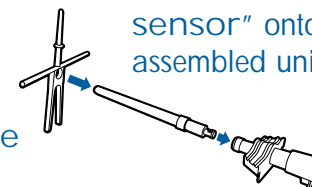
Press and turn muzzle to attach. Fit "control arm" onto footplate. Slide foot plate onto cannon base.



Step 7b

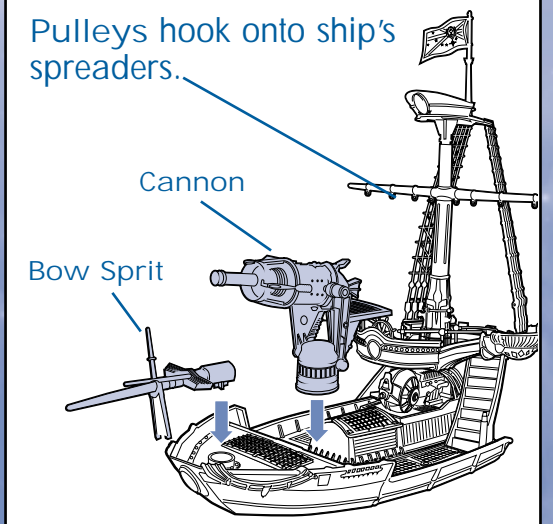
Bow Sprit Sub-Assembly

Fit bow sprit base onto ship's bow. Press-fit long piece into base. Slide "radar sensor" onto assembled unit.



Step 8

Snap assembled cannon and bow sprit into deck as shown. Pulleys hook onto ship's spreaders.



## Free Manuals Download Website

<http://myh66.com>

<http://usermanuals.us>

<http://www.somanuals.com>

<http://www.4manuals.cc>

<http://www.manual-lib.com>

<http://www.404manual.com>

<http://www.luxmanual.com>

<http://aubethermostatmanual.com>

Golf course search by state

<http://golfingnear.com>

Email search by domain

<http://emailbydomain.com>

Auto manuals search

<http://auto.somanuals.com>

TV manuals search

<http://tv.somanuals.com>