

PLAYSKOOL

Model No. 50520

Ages 3 to 8
Weight Limit 70 lbs.

Free Style

ASSEMBLY INSTRUCTIONS
16" Power Cycle[®] Ride-On



PLEASE NOTE: ADULT ASSEMBLY REQUIRED. READ INSTRUCTIONS PRIOR TO ASSEMBLY.

TOOLS REQUIRED (NOT INCLUDED): Hammer, regular Screwdriver, Phillips Screwdriver and a small block of wood (approx. 2" x 2" x 3/4").

WARNING:

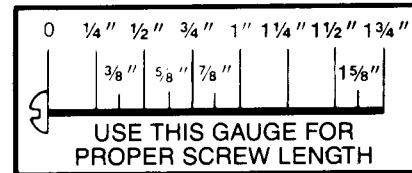
ADULT SUPERVISION AND INSTRUCTION REQUIRED REGARDING THE PROPER USE OF THIS TOY. THIS RIDE-ON TOY SHOULD NOT BE USED NEAR SWIMMING POOLS, ON OR NEAR HILLS, ROADWAYS, SLOPED DRIVEWAYS, ALLEYS OR STEPS. SHOES MUST BE WORN AT ALL TIMES. ONLY ONE RIDER AT A TIME. DO NOT RIDE AFTER DARK. DO NOT CARRY ANYTHING THAT IMPAIRS VISION.

BE SAFE

- DO NOT RIDE POWER CYCLE AFTER DARK.
- DO NOT CARRY ANYTHING THAT WILL IMPAIR VISION.
- DO NOT RIDE DOUBLE ON YOUR POWER CYCLE.

ASSEMBLY INSTRUCTIONS

NOTE: For ease of assembly trim all plastic parts of excess material.

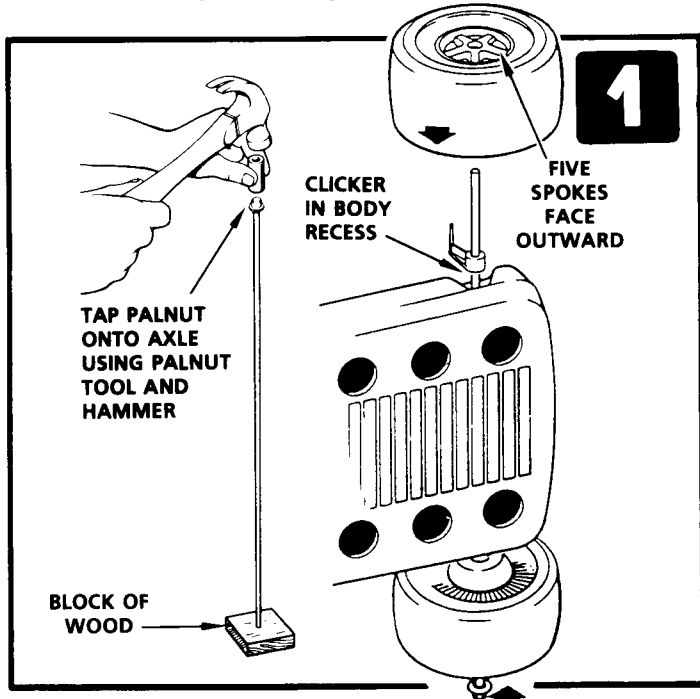


STEP 1. ASSEMBLE REAR WHEELS

Place the rear axle onto a small block of wood, as shown. Position a palnut over axle end and the palnut tool over the palnut. Secure palnut to axle by striking the tool with a hammer.

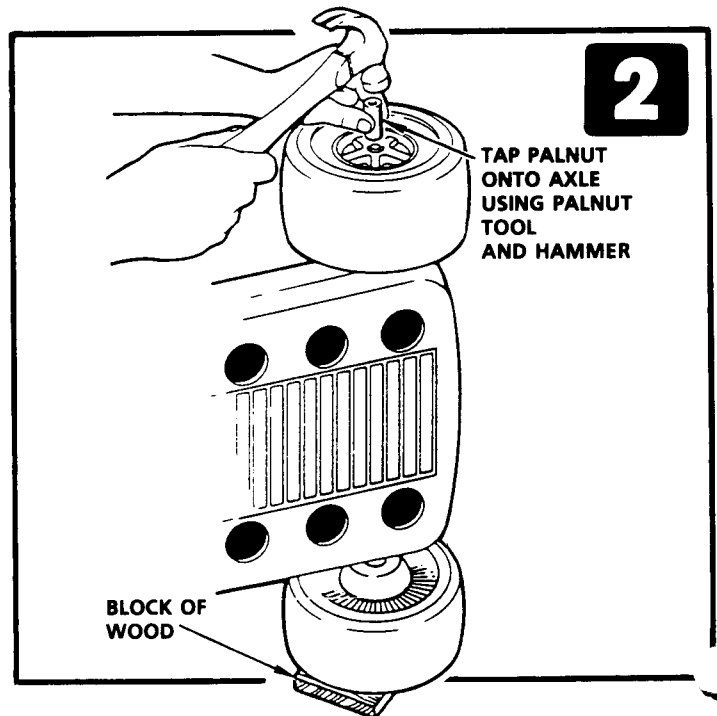
Slide the axle through the five spoked side of one wheel, push axle through holes at rear of body, as shown.

Slide the dicker on axle and fit in body recess. Place second rear wheel (with five spokes facing outward) onto the axle.



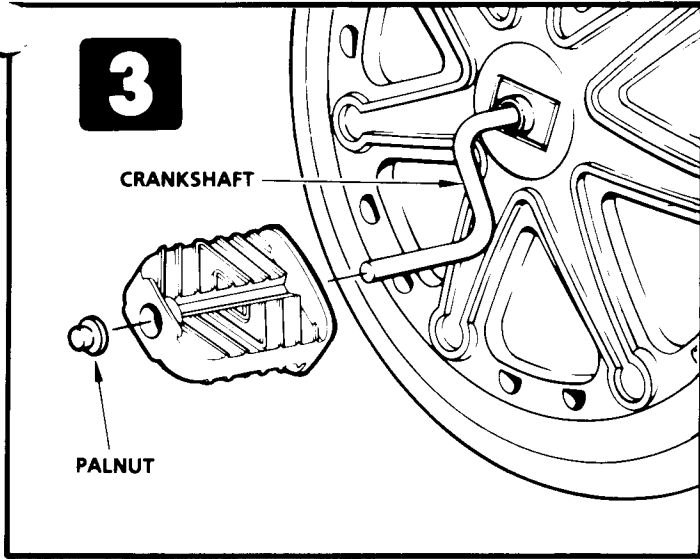
STEP 2. FASTEN REAR WHEELS TO BODY

Place the small block of wood under the palnut on the lower end of the axle. Position palnut over top of axle and fasten in place using palnut tool and hammer.



STEP 3. FRONT WHEEL ASSEMBLY

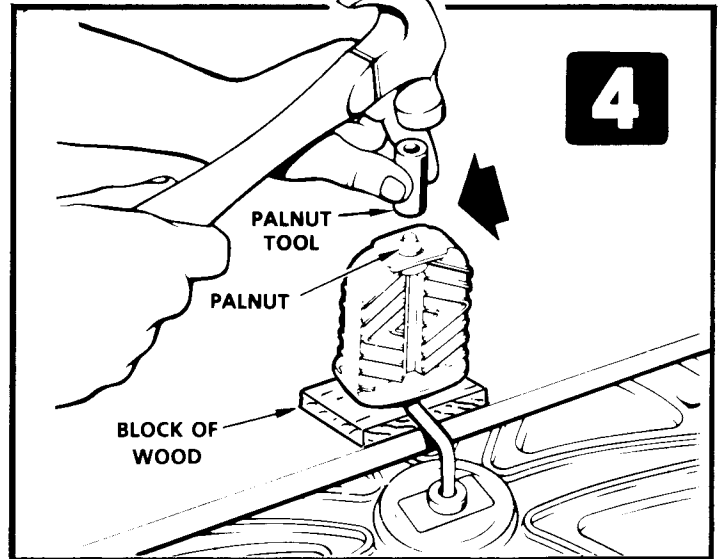
Slide a pedal onto crankshaft as shown. Then, fit a palnut onto the crankshaft.



STEP 4. FASTEN PEDAL TO CRANKSHAFT

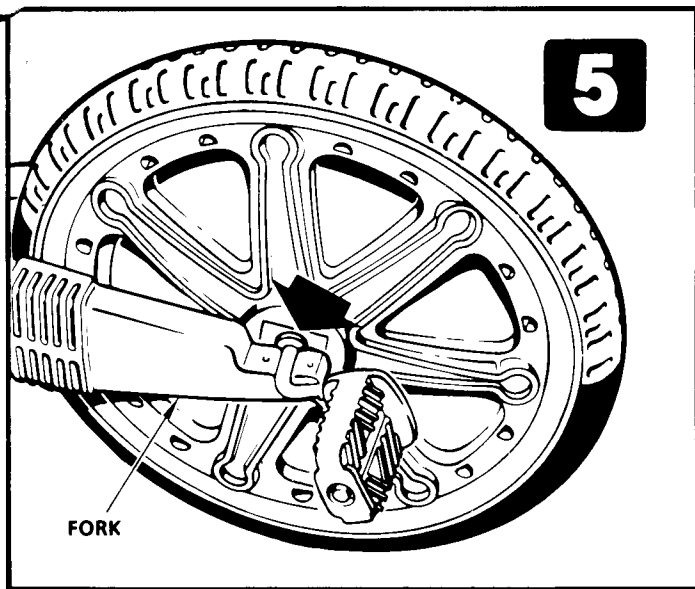
Place the pedal assembly on a small block of wood for support. Position and secure a palnut to crankshaft, using palnut tool and hammer. Make sure the palnut is secure by pulling on the pedal.

Repeat STEPS 3 and 4 for the opposite side of the front wheel.



STEP 5. ASSEMBLE FRONT WHEEL TO FORK

Install the assembled front wheel into the fork by positioning the crankshaft into the slots in the fork as shown.

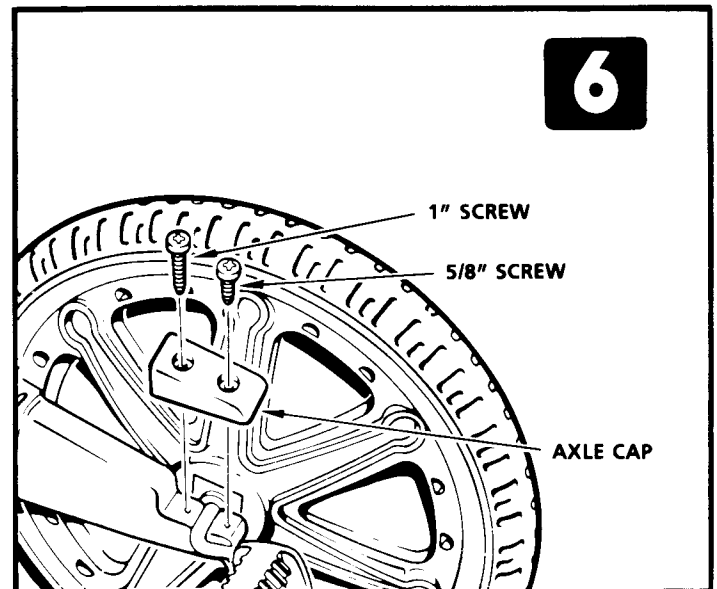


STEP 6. FASTEN FRONT WHEEL TO FORK

Position an axle cap over the crankshaft (see illustration). Using a screwdriver, drive a 1" screw into the upper hole in the axle cap. Drive a 5/8" screw into the lower hole.

Attach axle cap to other side of fork in the same manner.

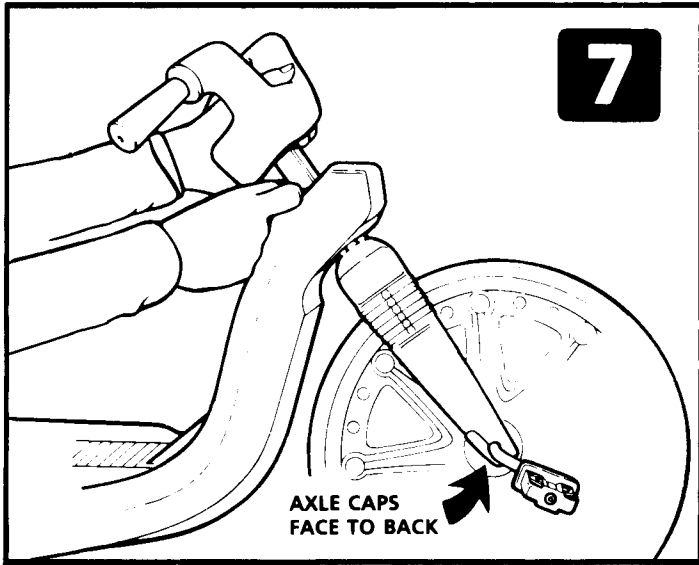
NOTE: do not use excessive force when driving the screws. Do not overtighten.



PLEASE RETAIN THIS GUIDE
AND ALL LITERATURE
FOR FUTURE REFERENCE.

STEP 7. ATTACH FRONT FORK AND HANDLEBAR

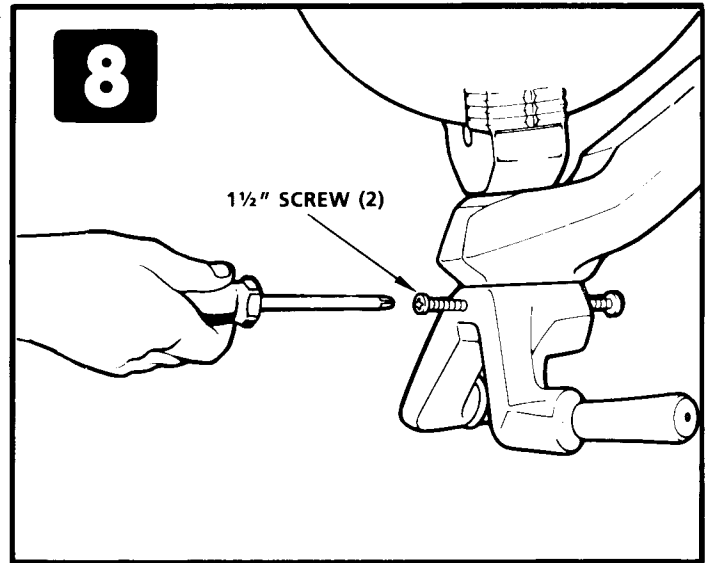
Insert the front fork through body. The axle caps must face the back of the cycle. Then, slide the handlebar onto the fork post, handles facing back. Handlebar must be fully seated to fork.



STEP 8. FASTEN HANDLEBAR

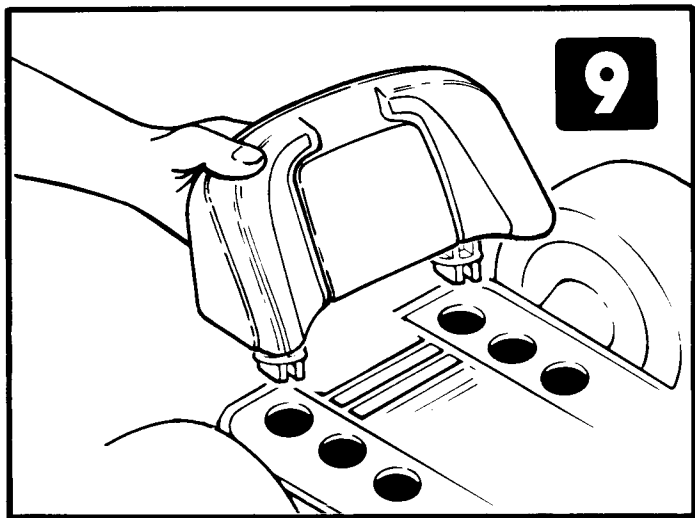
Insert 1½" screws into pilot holes on each side of the handlebar until screws are engaged. Then turn the cycle upside down on its handlebars. Push down on fork and drive the screws tightly into handlebar assembly.

BE CAREFUL NOT TO OVERTIGHTEN.



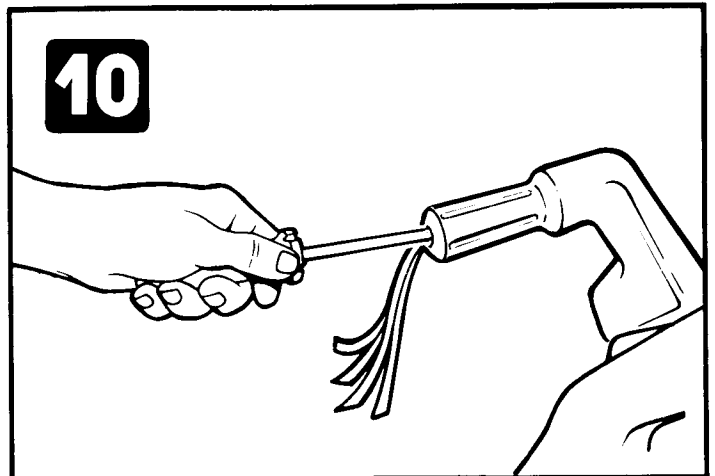
STEP 9. INSTALL SEAT BACK

Push the seat posts into the desired set of holes to accommodate the driver.



STEP 10. SECURE STREAMERS TO HANDLEBAR

Push the metal clip attached to the streamer into the hole at the end of handlebar, using the flat surface of screwdriver. Lightly pull streamer to ensure streamer is secure. Repeat for remaining streamer.



ADULTS PLEASE NOTE

PERIODICALLY CHECK ALL HARDWARE TO BE CERTAIN IT IS SECURE

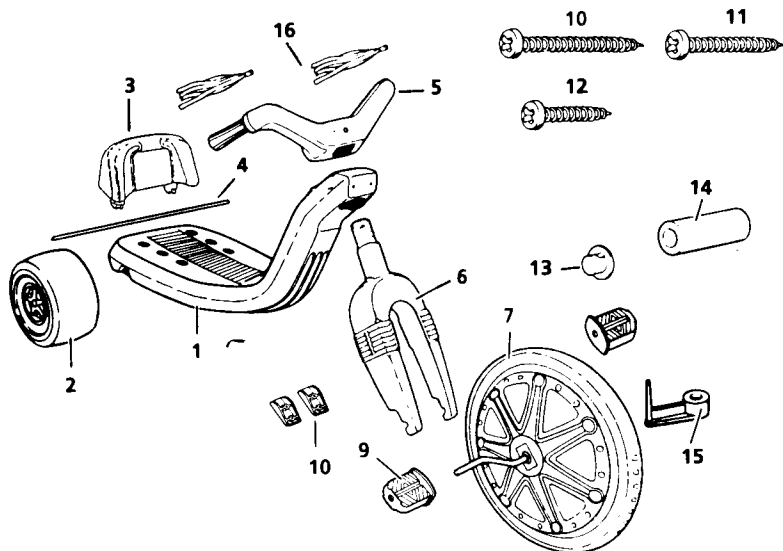
Replacement Parts Order Form

PARTS DIAGRAM for

Free Style

POWER CYCLE® Ride-On Model 1851

Please check all parts carefully before assembly



KEY NO.

- | | |
|--------------------------|---------------------|
| 1. BODY | 11. 1" SCREW (2) |
| 2. REAR WHEEL (2) | 12. 5/8" SCREW (2) |
| 3. SEAT BACK (1) | 13. PALNUT (4) |
| 4. REAR AXLE (1) | 14. PALNUT TOOL (1) |
| 5. HANDLEBARS (1) | 15. CLICKER (1) |
| 6. FRONT FORK (1) | 16. STREAMERS (2) |
| 7. FRONT WHEEL ASSY. (1) | 17. DECAL SHEET (1) |
| 8. PEDALS (2) | (Not Shown) |
| 9. AXLE CAPS (2) | |
| 10. 1 1/2" SCREW (2) | |

Should you require any parts or have any questions concerning your new Playskool purchase, please call Customer Service at 1-800-237-0063. This service is in operation from 8:30 a.m. to 4:30 p.m. Eastern Time, Monday through Friday. PLAYSKOOL CONSUMER SERVICES, P.O. Box 5839, Pawtucket, RI 02862. This will provide quick and reliable service for your product. Do not request same from your dealer.

KEY NUMBER	DESCRIPTION	KIT NO.	QUANTITY	PRICE	TOTAL
1	BODY: (Not available as a replacement part)	—	—	—	—
2	REAR WHEELS: (1 each)	40282901		1.80	
3	SEAT BACK: (1 each)	40282601		1.50	
4	REAR AXLE: (1 each)	40282800		1.00	
5	HANDLE BARS: (1 each)	40282501		1.90	
7	FRONT FORK: (1 each)	40282701		1.75	
8	FRONT WHEEL W/CRANK: (1 each)	40284701		8.25	
9,15	PEDAL KIT: (Contains 2 ea. pedal 2 ea. palnut)	F203413/R082929		1.50	
10	AXLE CAP KIT: (Universal Replacement)	1006		1.00	
11,12,13 14,15,16	HARDWARE/PALNUT BAG ASSY: (Contains correct amount of each key # listed)	S206135A		3.25	
6,17	DECORATIVE KIT: (Contains 1 ea. decal, 2 ea. streamer)	R206107A/R206593		3.00	
				MERCHANDISE TOTAL	
				APPROPRIATE STATE TAX	
				HANDLING AND SHIPPING	\$3.00
				TOTAL	

HOW TO ORDER PARTS

- Fill out shipping label below. Print clearly, in ink, as label will be applied to the outside of your package. U.S. residents be sure to include ZIP code.
- Extend prices, NY, PA, RI residents add applicable sales tax, plus shipping and handling.
- Send complete form with check or money order only (DO NOT MAIL CASH OR COINS) to address below.
- No C.O.D. orders will be accepted.
- We reserve the right to substitute when necessary.

NOTE: Prices and parts subject to change without prior notice.

Submit mail order to: Playskool, Inc.
P.O. Box 5839, Pawtucket, RI 02862

Free Style

POWER CYCLE® Ride-On
Model No. 50520

FOR OFFICE USE ONLY	
DATE REC'D	_____
AM'T REC'D	_____
REC'D BY	_____
DATE SHIPPED	_____
VIA	_____
NOTES	_____

PLAYSKOOL

TO:

NAME _____
 STREET _____
 CITY _____ STATE _____
 ZIP CODE _____ COUNTY _____

POSTMASTER: CONTENTS MERCHANDISE - RETURN POSTAGE GUARANTEED.
MAY BE OPENED FOR POSTAL INSPECTION IF NECESSARY.

©1988 Playskool, Inc., a subsidiary of Hasbro, Inc. All Rights Reserved.
Made and Printed in U.S.A.

P/N 40287800

Free Manuals Download Website

<http://myh66.com>

<http://usermanuals.us>

<http://www.somanuals.com>

<http://www.4manuals.cc>

<http://www.manual-lib.com>

<http://www.404manual.com>

<http://www.luxmanual.com>

<http://aubethermostatmanual.com>

Golf course search by state

<http://golfingnear.com>

Email search by domain

<http://emailbydomain.com>

Auto manuals search

<http://auto.somanuals.com>

TV manuals search

<http://tv.somanuals.com>