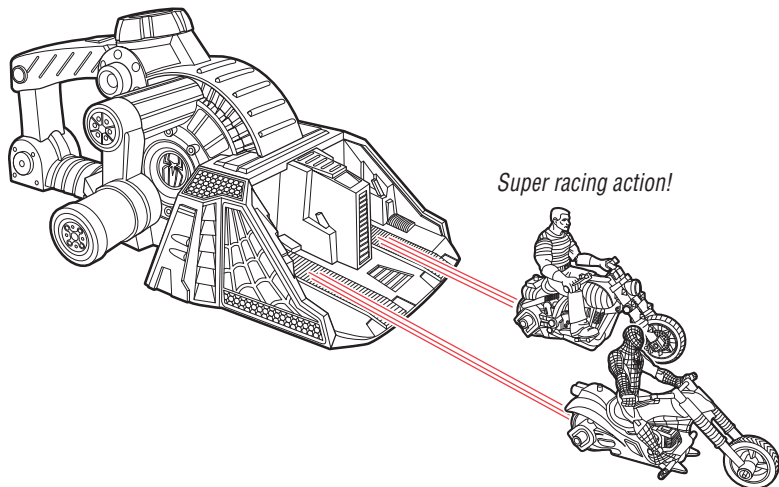


SPIDER-MAN 3

AGES 4+
69193/69129 Asst.

Your WEBWORLD RACERS also work with:

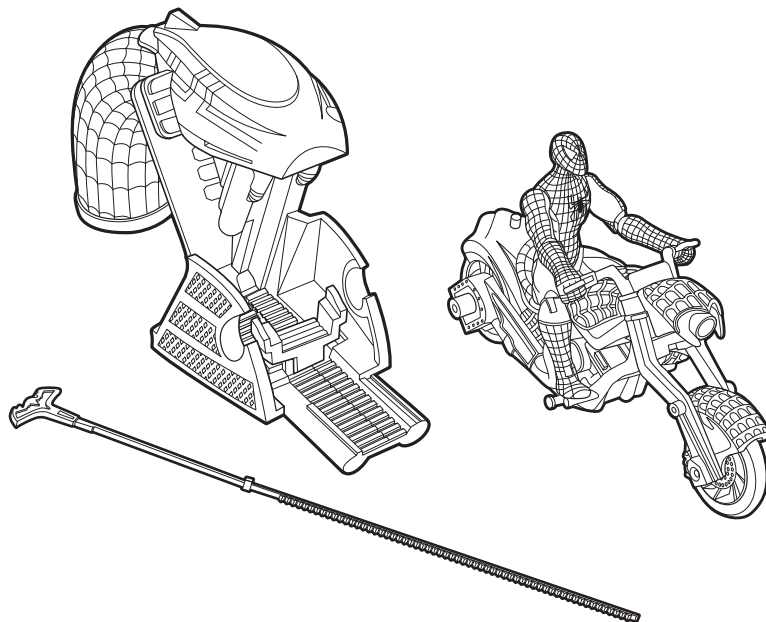
WEBWORLD RACERS FACE-OFF



Sold separately.

SPIDER-MAN®
Street Spider Motorcycle

! **CAUTION:**
Hair entanglement may result if child's hair comes in contact with moving parts of toy. Adult supervision is required.



P/N: 6666840000



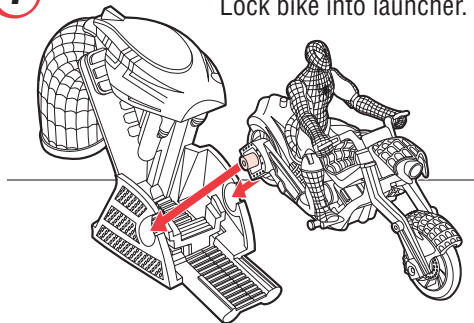
Not suitable for children under 3 years because of small parts — choking hazard.



Spider-Man and all related characters and the distinctive likeness thereof: TM & © 2007 Marvel Characters, Inc.
Spider-Man 3, the Movie: TM & © 2007 Columbia Pictures Industries, Inc. All rights reserved.
www.marvel.com
®* and/or TM* & © 2007 Hasbro. All Rights Reserved.
TM & ® denote U.S. Trademarks.

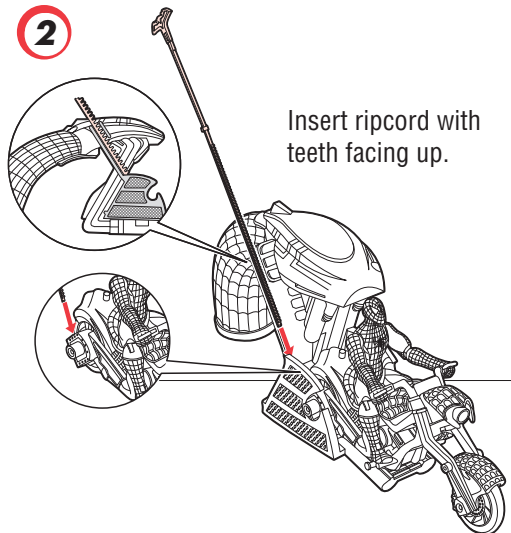
1

Lock bike into launcher.



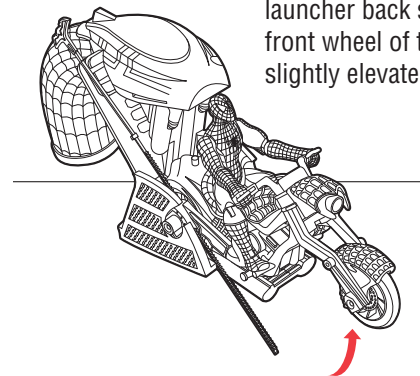
2

Insert ripcord with teeth facing up.



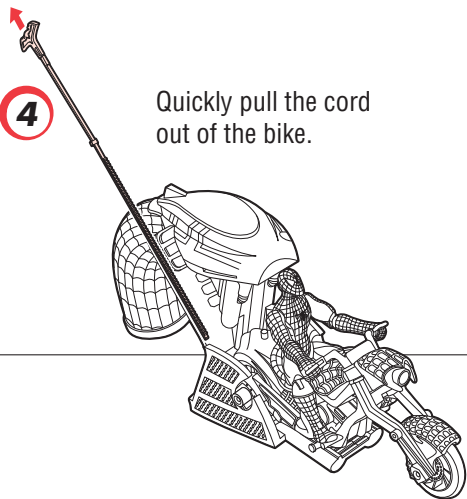
3

Holding the launcher and bike near the floor, tilt the launcher back so that the front wheel of the bike is slightly elevated.



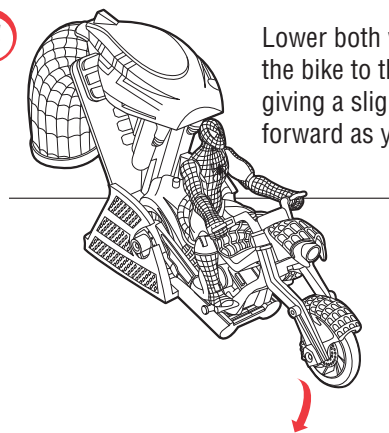
4

Quickly pull the cord out of the bike.

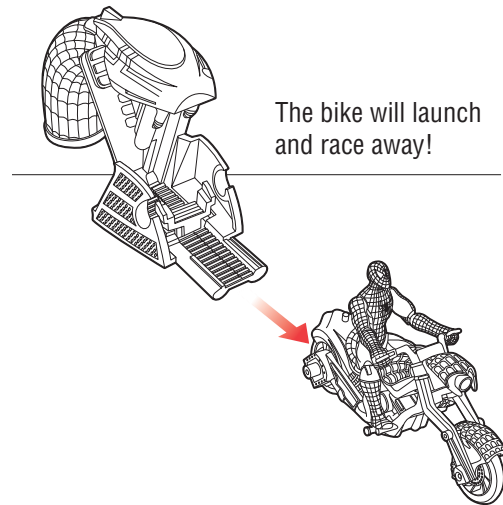


5

Lower both wheels of the bike to the floor, giving a slight push forward as you do so.



The bike will launch and race away!



Free Manuals Download Website

<http://myh66.com>

<http://usermanuals.us>

<http://www.somanuals.com>

<http://www.4manuals.cc>

<http://www.manual-lib.com>

<http://www.404manual.com>

<http://www.luxmanual.com>

<http://aubethermostatmanual.com>

Golf course search by state

<http://golfingnear.com>

Email search by domain

<http://emailbydomain.com>

Auto manuals search

<http://auto.somanuals.com>

TV manuals search

<http://tv.somanuals.com>