

TRANSFORMERS™

AGES 4+

82435/82414 Asst.

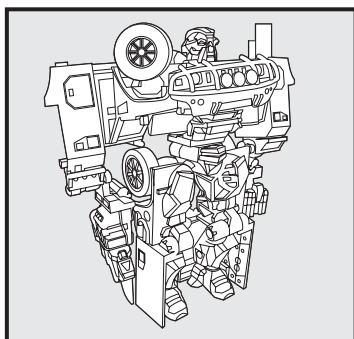
Axe Attack AUTOBOT RATCHET™



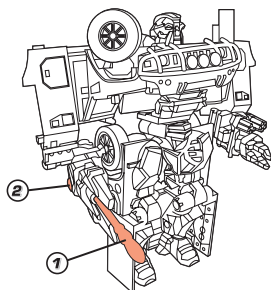
TRANSFORMERS.COM

NOTE: Some parts are made to detach if excessive force is applied and are designed to be reattached if separation occurs. Adult supervision may be necessary for younger children.

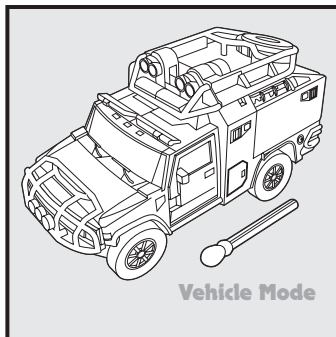
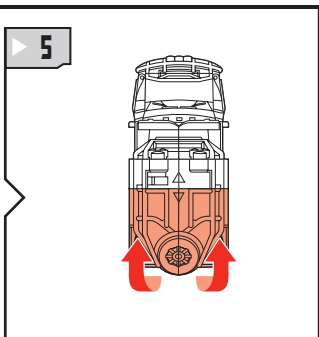
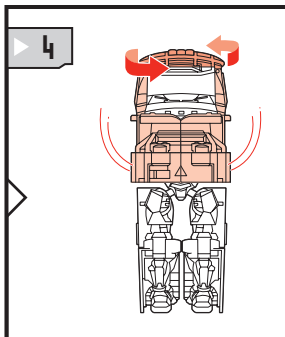
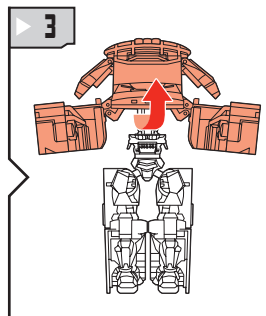
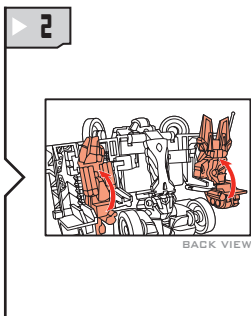
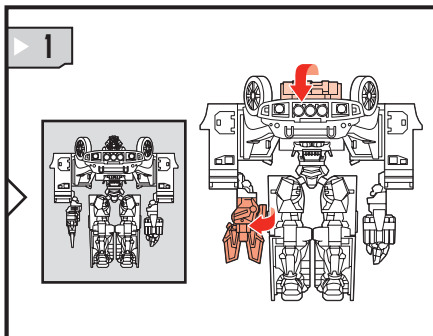
CHANGING TO VEHICLE



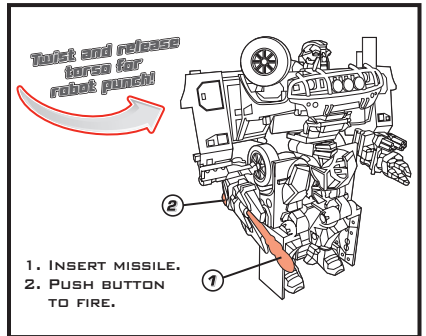
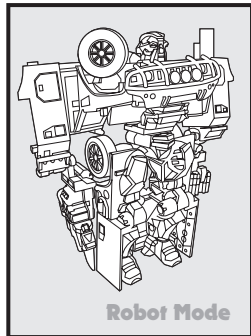
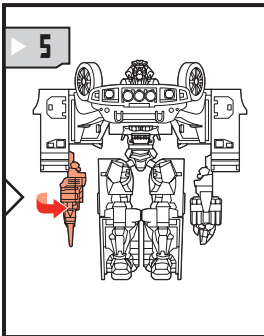
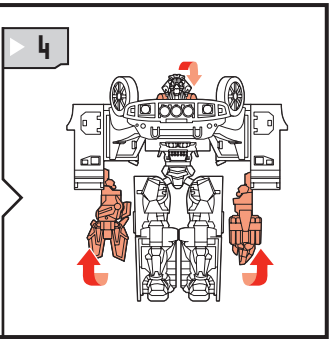
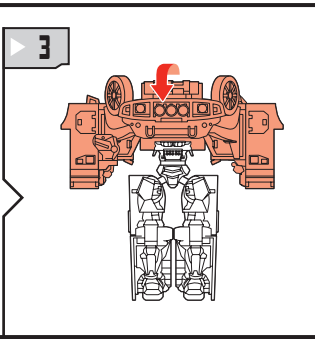
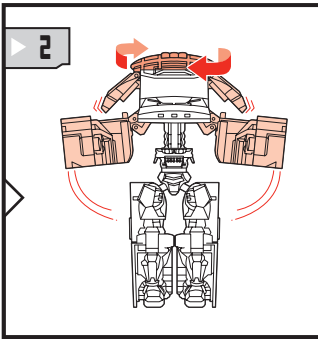
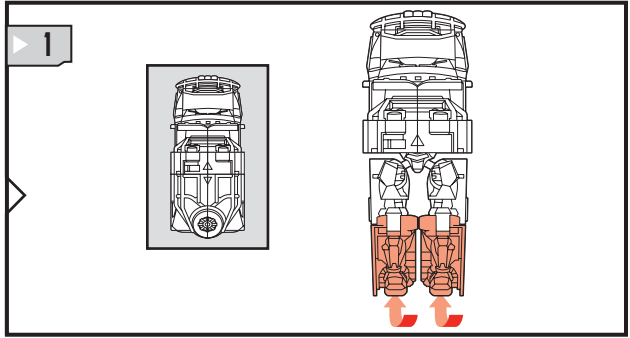
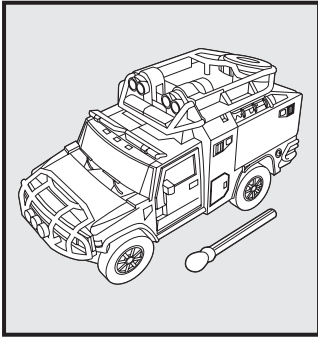
Twist and release torso for robot punch!



1. INSERT MISSILE.
2. PUSH BUTTON TO FIRE.



CHANGING TO ROBOT



TRANSFORMERS.COM

Some poses may require hand support.



© 2006 DreamWorks LLC and Paramount Pictures Corporation
© 2006 Hasbro. All Rights Reserved.
TM & © denote U.S. Trademarks.
Manufactured under license from Tomly Company, Ltd.

P/N 6669480001

DREAMWORKS
PICTURES



Hummer H2 and all related Emblems and vehicle body designs are General Motors Trademarks used under license to Hasbro, Inc.



Not suitable for children under 3 years because of small parts – choking hazard.



Free Manuals Download Website

<http://myh66.com>

<http://usermanuals.us>

<http://www.somanuals.com>

<http://www.4manuals.cc>

<http://www.manual-lib.com>

<http://www.404manual.com>

<http://www.luxmanual.com>

<http://aubethermostatmanual.com>

Golf course search by state

<http://golfingnear.com>

Email search by domain

<http://emailbydomain.com>

Auto manuals search

<http://auto.somanuals.com>

TV manuals search

<http://tv.somanuals.com>