

# TRANSFORMERS™

AGES 4+

83212/82414 Asst.

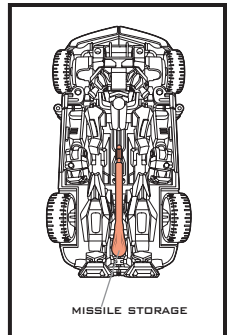
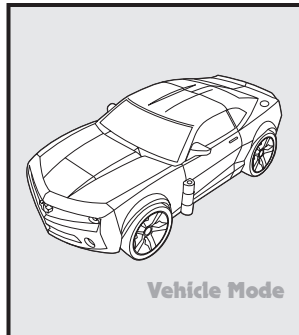
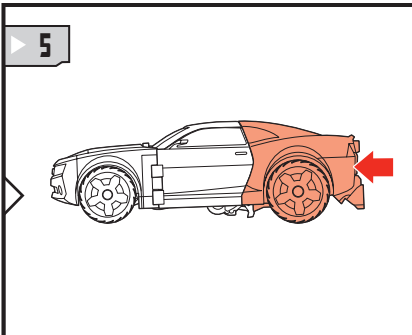
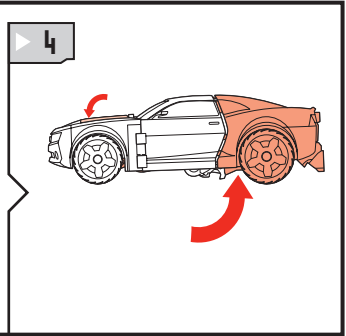
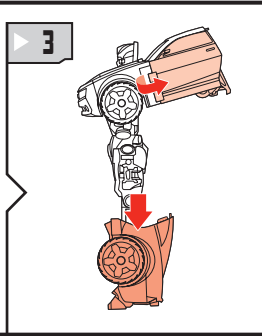
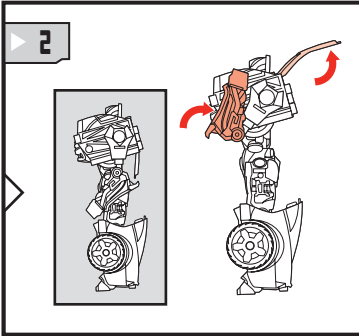
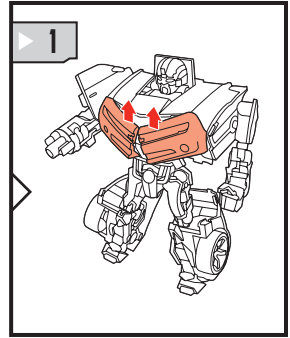
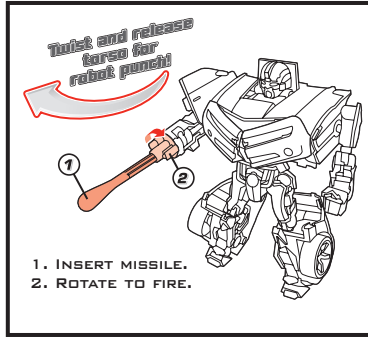
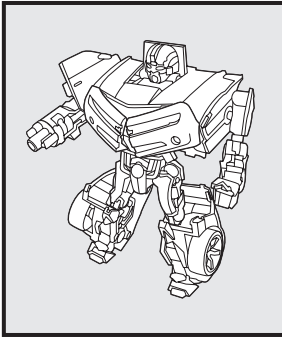
## Plasma Punch BUMBLEBEE™



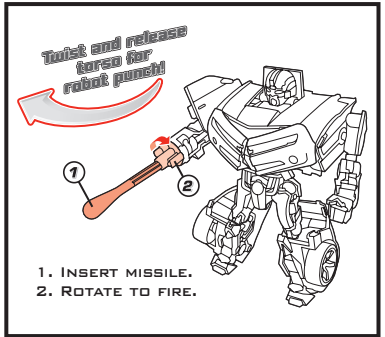
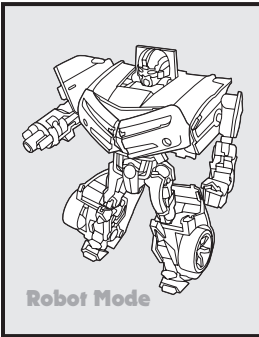
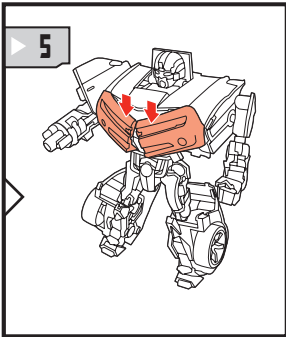
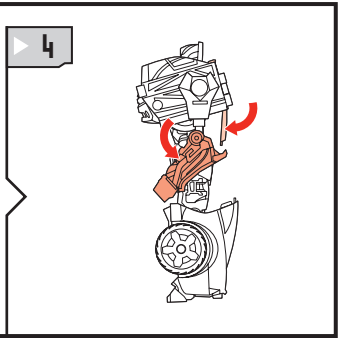
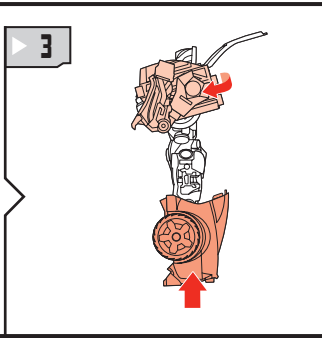
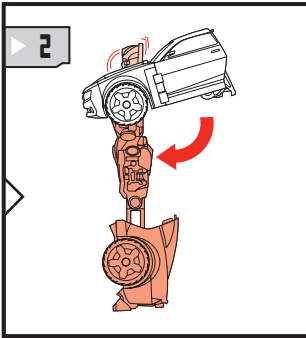
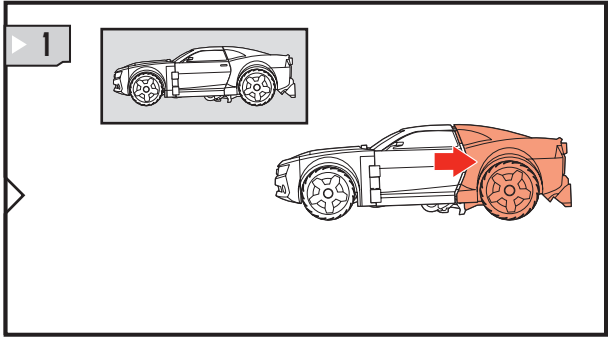
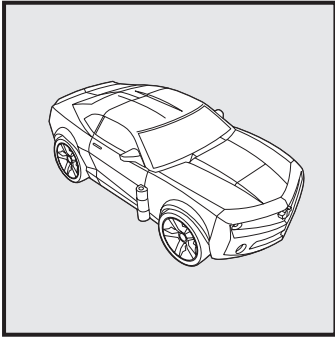
TRANSFORMERS.COM

NOTE: Some parts are made to detach if excessive force is applied and are designed to be reattached if separation occurs. Adult supervision may be necessary for younger children.

### CHANGING TO VEHICLE



# CHANGING TO ROBOT



DREAMWORKS  
PICTURES

TRANSFORMERS.COM

© 2007 DreamWorks LLC and Paramount Pictures Corporation  
®\* and/or TM\* & © 2007 Hasbro. All rights reserved.  
TM & ® denote U.S. trademarks.  
Manufactured under license from Tomy Company, Ltd.



Camaro and all related Emblems  
and vehicle body designs are  
General Motors Trademarks used  
under license to Hasbro, Inc.

OFFICIAL  
LICENSED PRODUCT

Some poses may require hand support.

P/N 670686000



Not suitable for children  
under 3 years because of  
small parts – choking hazard.

## Free Manuals Download Website

<http://myh66.com>

<http://usermanuals.us>

<http://www.somanuals.com>

<http://www.4manuals.cc>

<http://www.manual-lib.com>

<http://www.404manual.com>

<http://www.luxmanual.com>

<http://aubethermostatmanual.com>

Golf course search by state

<http://golfingnear.com>

Email search by domain

<http://emailbydomain.com>

Auto manuals search

<http://auto.somanuals.com>

TV manuals search

<http://tv.somanuals.com>