

STAR WARS



WARNING:

CHOKING HAZARD—Small parts.
Not for children under 3 years.

AGES 4+
87764

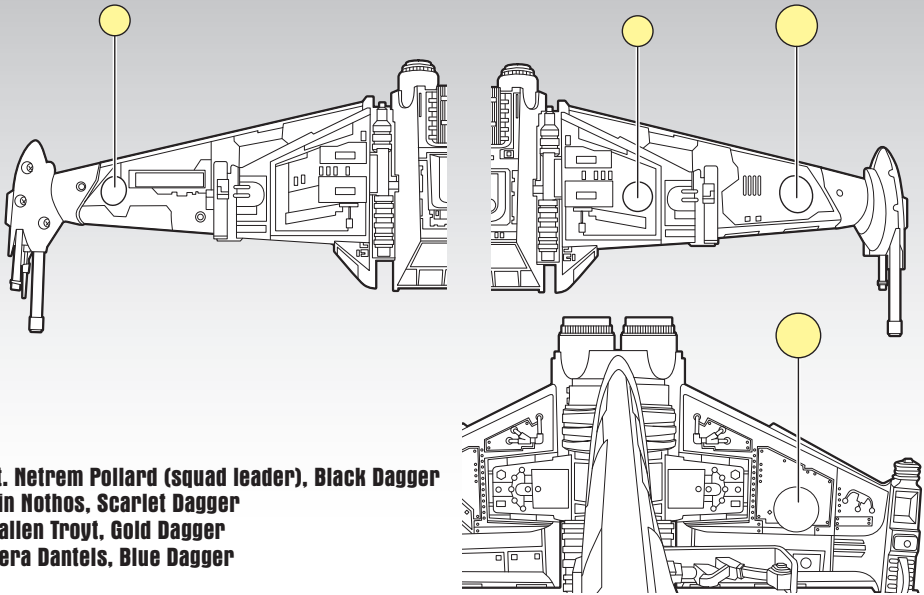
Assembly required. No tools needed.

Includes ship, figure and labels.

DAGGER SQUADRON B-WING FIGHTER™

ASSEMBLY

Peel and apply labels to create 1 of 4 different fighters in Dagger Squadron.

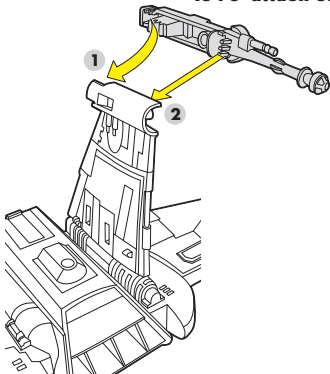


Lt. Netrem Pollard (squad leader), Black Dagger
Vin Nothos, Scarlet Dagger
Callen Troyt, Gold Dagger
Nera Danteis, Blue Dagger

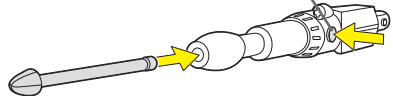
FEATURES

Cannons are removable to create different weapon configurations.

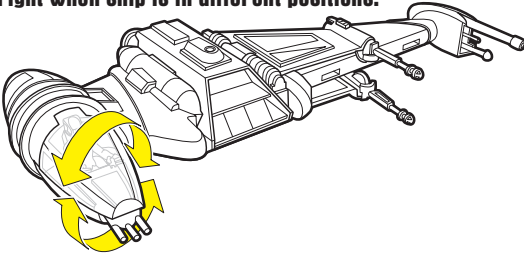
To re-attach each cannon, snap end (1) onto wing, then snap post (2) onto wing.



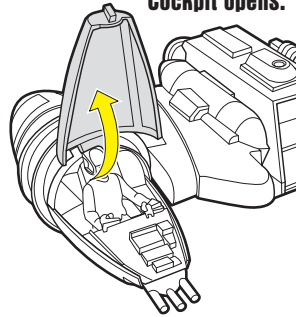
To fire cannons, insert missile into each cannon.
Press buttons to fire.



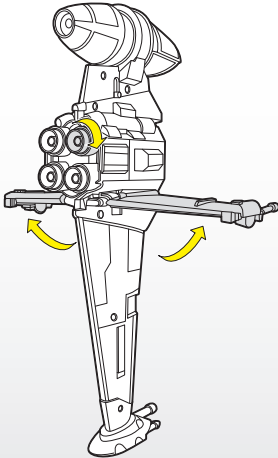
Cockpit spins 360 degrees to remain upright when ship is in different positions.



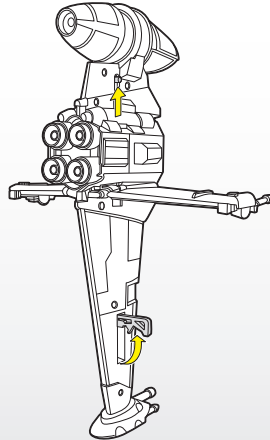
Cockpit opens.



Turn engine nozzle to open wings.



Activate switch under engine to retract landing gear.



Product and colors may vary.
© 2008 Lucasfilm Ltd. & ® or TM where indicated.
All rights reserved.
®* and/or TM* & © 2008 Hasbro. All Rights Reserved.
TM & ® denote U.S. Trademarks.



Not suitable for children under 3 years because of small parts — choking hazard.

P/N 679362000

Free Manuals Download Website

<http://myh66.com>

<http://usermanuals.us>

<http://www.somanuals.com>

<http://www.4manuals.cc>

<http://www.manual-lib.com>

<http://www.404manual.com>

<http://www.luxmanual.com>

<http://aubethermostatmanual.com>

Golf course search by state

<http://golfingnear.com>

Email search by domain

<http://emailbydomain.com>

Auto manuals search

<http://auto.somanuals.com>

TV manuals search

<http://tv.somanuals.com>