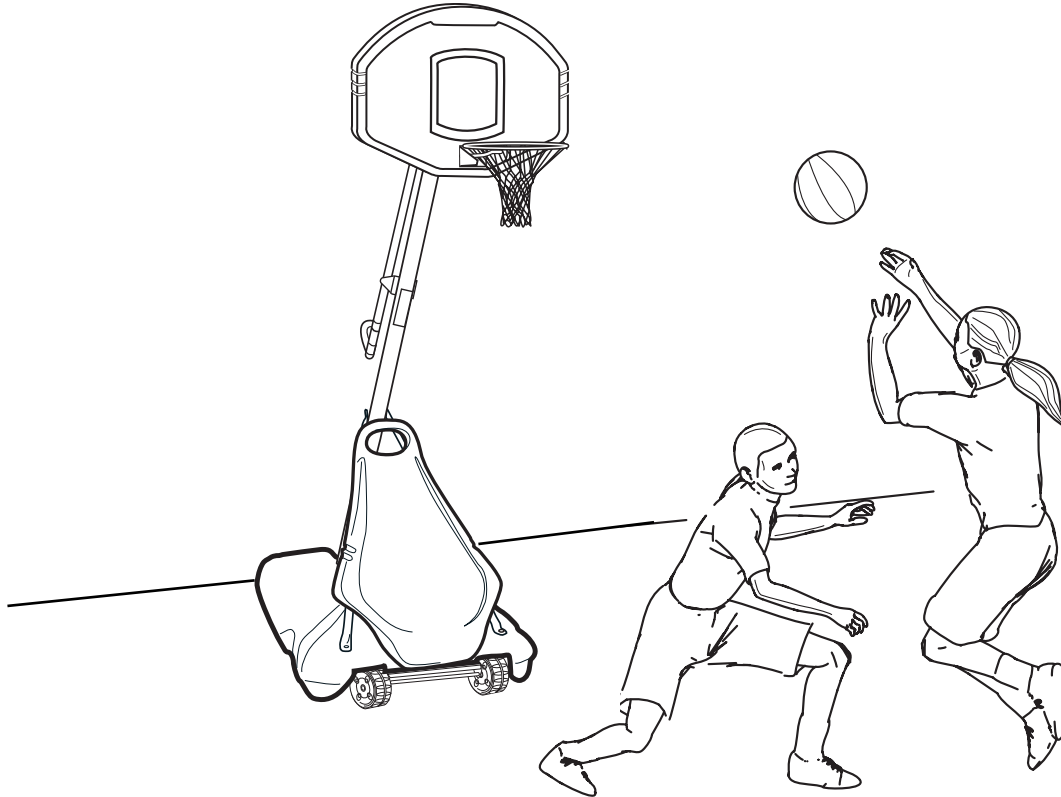


# HUFFY® SPORTS

## Portable Basketball System

### Owners Manual

Customer Service Center  
 • N53 W24700 South Corporate Circle • Sussex, WI 53089 • U.S.A.



#### ! WARNING!



READ AND UNDERSTAND  
 OPERATOR'S MANUAL  
 BEFORE USING THIS UNIT.

FAILURE TO FOLLOW  
 OPERATING INSTRUCTIONS  
 COULD RESULT IN INJURY  
 OR DAMAGE TO  
 PROPERTY.

#### REQUIRED TOOLS AND MATERIALS:



• 2 People



• Tape Measure



• Wood Board (scrap)



• Sawhorse or  
 Support Table



• Hammer

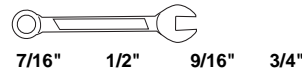


• Tape



• Phillips Screwdriver

• (2 each) Wrenches and/or  
 Socket Wrenches and  
 Sockets (Deep-Well Sockets  
 are Recommended).

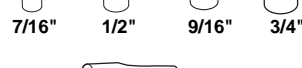


7/16" 1/2" 9/16" 3/4"

AND/OR



7/16" 1/2" 9/16" 3/4"



• Extension is Recommended.

• Garden Hose or  
 Sand



• Step Ladder  
 8ft. (2.4 m)



• Optional: Large &  
 Small Adjustable  
 Wrenches

Toll-Free Customer Service Number for U.S: 1-800-558-5234,

For Canada: 1-800-284-8339,

For Europe: 00 800 555 85234 (Sweden: 009 555 85234),

For Australia: 1-800-632-792

Internet Address: [www.huffysports.com](http://www.huffysports.com)



# WARNING

**FAILURE TO FOLLOW THESE WARNINGS MAY RESULT IN SERIOUS INJURY AND/OR PROPERTY DAMAGE.**

*Owner must ensure that all players know and follow these rules for safe operation of the system.*

- **DO NOT HANG** on the rim or any part of the system including backboard, support braces or net.
- During play, especially when performing dunk type activities, keep player's face away from the backboard, rim and net. Serious injury could occur if teeth/face come in contact with backboard, rim or net.
- Do not slide, climb, shake or play on base and/or pole.
- After assembly is complete, fill system completely with water or sand and stake to the ground. Never leave system in an upright position without filling base with weight, as system may tip over causing injuries.
- When adjusting height or moving system, keep hands and fingers away from moving parts.
- Do not allow children to move or adjust system.
- During play, do not wear jewelry (rings, watches, necklaces, etc.). Objects may entangle in net.
- Surface beneath the base must be smooth and free of gravel or other sharp objects. Punctures cause leakage and could cause system to tip over.
- Keep organic material away from pole base. Grass, litter, etc. could cause corrosion and/or deterioration.
- Check pole system for signs of corrosion (rust, pitting, chipping) and repaint with exterior enamel paint. If rust has penetrated through the steel anywhere, replace pole immediately.
- Check system before each use for proper ballast, loose hardware, excessive wear and signs corrosion and repair before use.
- Check system before each use for instability.
- Do not use system during windy and/or severe weather conditions; system may tip over. Place system in the storage position and/or in an area protected from the wind and free from personal property and/or overhead wires.
- Never play on damaged equipment.
- See instruction manual for proper installation and maintenance.
- When moving system, use caution to keep mechanism from shifting.
- Keep pole top covered with cap at all times.
- Do not allow water in tank to freeze. During sub-freezing weather add non-toxic antifreeze, sand or empty tank completely and store. (Do not use salt.)
- While moving system, Do not allow anyone to stand or sit on base or have added ballasting on base.
- Do not leave system unsupervised or play on system when wheels are engaged for moving.
- Use Caution when moving system across uneven surfaces. System may tip over.
- Use extreme caution if placing system on sloped surface. System may tip over more easily.

**HUFFY<sup>®</sup>SPORTS**

In the U.S.: 1-800-558-5234 and Canada: 1-800-284-8339

201246 2/99



# SAFETY INSTRUCTIONS



**FAILURE TO FOLLOW THESE SAFETY INSTRUCTIONS MAY RESULT IN SERIOUS INJURY OR PROPERTY DAMAGE AND WILL VOID WARRANTY.**

*Owner must ensure that all players know and follow these rules for safe operation of the system.*

To ensure safety, do not attempt to assemble this system without following the instructions carefully. Proper and complete assembly, use, and supervision are essential for proper operation and to reduce the risk of accident or injury. A high probability of serious injury exists if this system is not installed, maintained, and operated properly.

- If using a ladder during assembly, use extreme caution.
- Check base regularly for leakage. Slow leaks could cause the system to tip over unexpectedly
- Seat the pole sections properly (if applicable). Failure to do so could allow the pole sections to separate during play and/or during transport of the system.
- Climate, corrosion or misuse could result in system failure.
- If technical assistance is required, contact Huffy Sports.
- Minimum operational height is 6'-6" (1.98m) to the bottom of backboard.

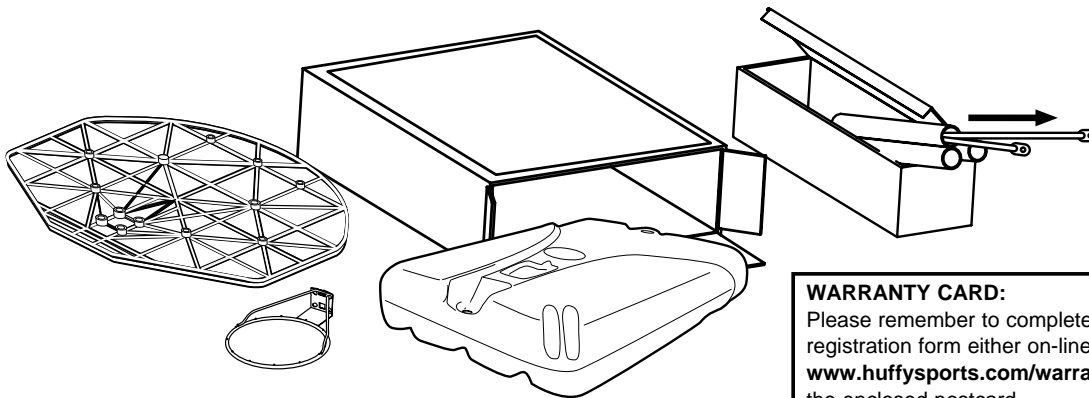
*Most injuries are caused by misuse and/or not following instructions.  
Use caution when using this unit.*

## NOTICE TO ASSEMBLERS

**ALL Huffy Sports basketball systems, including those used for DISPLAYS, MUST be assembled and ballasted with sand or water according to instructions. Failure to follow instructions could result in SERIOUS INJURY. It is NOT acceptable to devise a makeshift weight system.**

## IMPORTANT!

**Remove all contents from boxes.  
Be sure to check inside pole sections;  
hardware and additional parts are packed inside.**



### WARRANTY CARD:

Please remember to complete your product registration form either on-line at: [www.huffysports.com/warrantycard](http://www.huffysports.com/warrantycard) or mail-in the enclosed postcard.



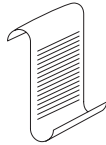
**Questions or Missing Parts?**

**DON'T go back to store!**

Call TOLL-FREE Customer Service Number listed on the front page!

PARTS LIST (See Hardware Identifier)

Item	Qty.	Part No.	Description	Item	Qty.	Part No.	Description
1	1	900026	Top Pole Section, Black	39	1	204856	Handle, Right
2	1	908107	Middle Pole Section, Black	40	1	200118	Front Cover
3	1	908028	Bottom Pole Section, Black	41	1	204872	Label, Height Indicator
4	1	200188	Rod, Zinc 3/8 x 5-1/4 Long	42	1	206219	Cap, Base-Black
5	1	202822	Eyebolt, 3/8-16 x 3-3/4 Long	43	1	203814	Label, Height and Moving
6	1	200117	Base	44	1	201568	Anchor Strap
7	1	203124	Stake, Tie Down	45	1	204832	Bracket, Pole Mount
8	4	203063	Lock Nut, Nylon Insert, 3/8-16	46	2	203053	Bolt, Carriage, 5/16-18 x 4 Long
9	2	906410	Struts, Base	47	1	206990	Reinforcement Bracket
10	1	202662	Bolt, 5/16-18 x 4-1/2 Long	48	2	204859	Cover
11	7*	203218	Washer, Flat, 5/16 x 7/8 O.D.	49	12	201219	Smart Clip, Net Holder
12	1	203220	Lock Nut, Nylon Insert, 5/16-18	50	1	203038	Bolt, Carriage, 5/16-18 x 2.75" Long
13	1	200516	Vinyl, Bolt Cover, 5/16	51	2	201129	Spacer, Metal, .5 O.D. x .402 I.D. x 1.8 Long
14	2	203798	Bolt, Hex Flange, 5/16-18 x 1-1/2 Long	52	2	900846	Board Bracket
15	20*	203100	Lock Nut, Whiz, 5/16-18	53	1	240017	Bolt, Hex Head, 1/4-20 x 2-1/4 Long
16	1	203223	Bolt, Carriage 5/16-18 X 1.00" Long	54	3	206360	Bolt, Hex Head, 3/8-16 x 2.625 Long
17	2	226401	Wheel 4" Diameter	55	1	203493	Lock Nut, Hex Center-lock, 1/4-20
18	1	200123	Upper Pivot Bracket	56	2	900183	Elevator Tube, Lower (Long)
19	1	200512	Bolt, Hex Head, 3/8-16 x 3-1/2 Long	57	6	204847	Bolt, Hex Head, 1/2-13 x 9-1/2 Long
20	9*	203232	Washer, 3/8 I.D., x 3/4 O.D.	58	7	206340	Lock Nut, 1/2-13
21	1	206252	Bolt, Hex Head, 3/8-16 x 1 Long	59	4	201682	Spacer, Black, .56 I.D. x .683 O.D. x 1.88 Long
22	1	206948	Lower Pivot Bracket	60	4	201611	Bolt, Hex Flange, 5/16-18 x 3 Long
23	1	203330	Bolt, Hex Head, 3/8-16 x 4-1/2 Long	61	4	265601	Bolt, Carriage, 5/16-18 x 3-1/2 Long
24	2	900122	Hinge Tubes	62	4*	203309	Washer, Flat, 1" O.D.
25	2	900223	Wheel Bracket	63	2	904807	Elevator Tubes, Upper (Short)
26	6	203103	Bolt, Carriage, 5/16-18 x 2 Long	64	1	207103	Pole Cap
27	2	226403	Wheel 6" Diameter	65	1	201139	Bolt, Hex Head, 1/2-13 x 4-1/2 Long
28	2	206940	Axle, .461 O.D. x 21 Long	66	2	900867	Triangle Plate
29	4	206938	Push Caps	67	8	202862	Spacer, Plastic, 1/2 I.D., 1-1/4 Long
30	1	206956	Disc, Plastic, 5" O.D. x .0625 Thick	68	1	204837	Spring
31	1	904866	Height Adjustment Rod	69	1		Net
32	2	204858	Spacer, Plastic, Biscuit	70	1		Rim
33	2*	204857	Spacer, Metal 1/2" O.D. x 1.44 Long				
34	1	204853	Lanyard, Black Coil				
35	1	204850	Pin, Locking				
36	1	204803	Screw, Phillips Head				
37	4	201124	Lock Nut, Hex, 3/8-16				
38	1	204855	Handle, Left				



**NOTE:**

*\*You may have extra parts with this model*

**WARRANTY CARD:**

Please remember to complete your product registration form either on-line at:

**[www.huffysports.com/warrantycard](http://www.huffysports.com/warrantycard)**

or mail-in the enclosed postcard.

**WARNING:** IF YOUR SYSTEM IS EQUIPPED WITH AN ACRYLIC BACKBOARD, EXAMINE BACKBOARD FOR ANY DAMAGE THAT MAY HAVE OCCURRED DURING SHIPMENT. CRACKS IN THE BACKBOARD COULD RESULT IN SUDDEN BREAKAGE. IF BACKBOARD IS DAMAGED IN ANY WAY PRIOR TO OR AFTER ASSEMBLY, CALL TOLL-FREE NUMBER FOR FREE REPLACEMENT:

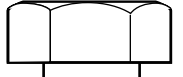
U.S. 1-800-558-5234; CANADA: 1-800-284-8339;

<http://www.huffysports.com>

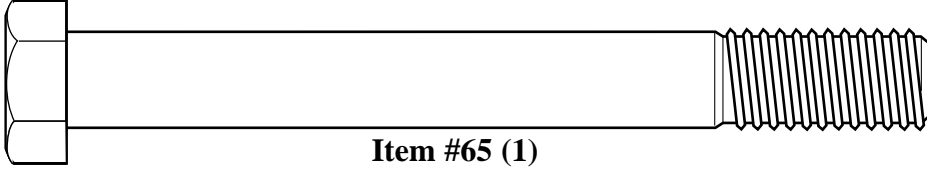
**HARDWARE IDENTIFIER (BOLTS & SCREWS)**



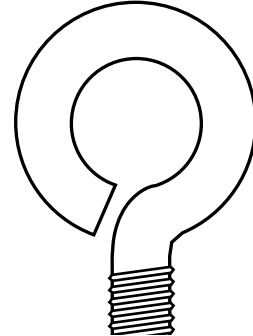
**Item #4 (1)**



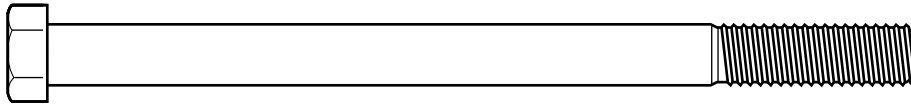
**Item #57 (6)**



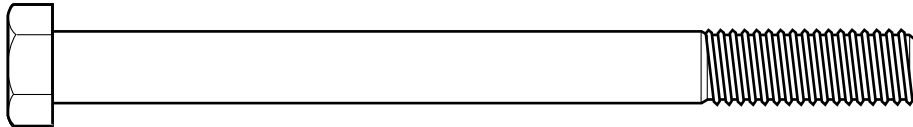
**Item #65 (1)**



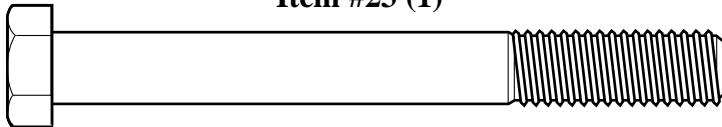
**Item #5 (1)**



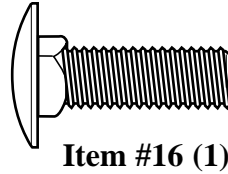
**Item #10 (1)**



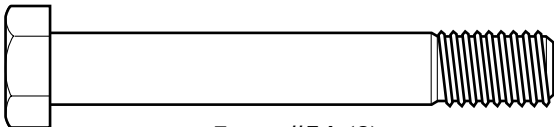
**Item #23 (1)**



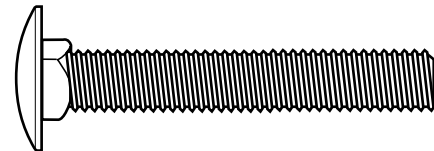
**Item #19 (1)**



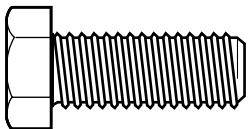
**Item #16 (1)**



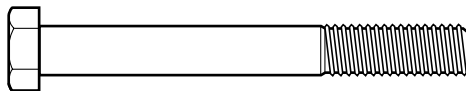
**Item #54 (3)**



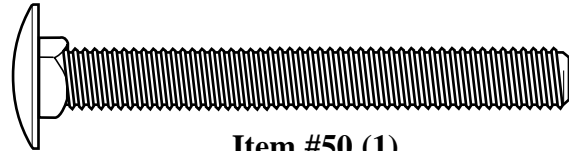
**Item #26 (6)**



**Item #21 (1)**



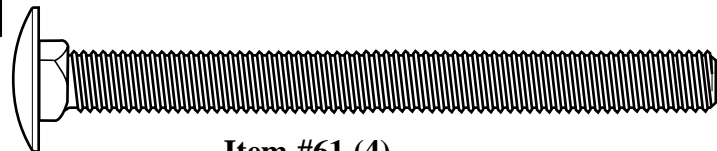
**Item #53 (1)**



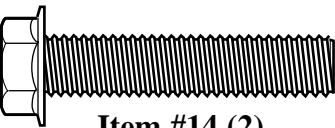
**Item #50 (1)**



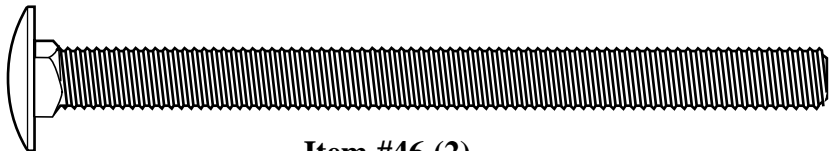
**Item #60 (4)\***



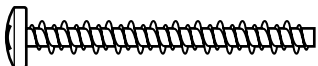
**Item #61 (4)**



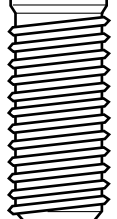
**Item #14 (2)**



**Item #46 (2)**

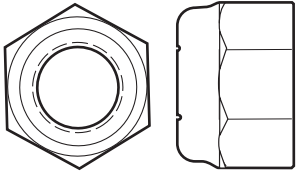


**Item #36 (1)**

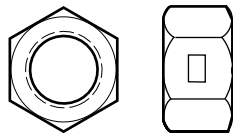


**HARDWARE IDENTIFIER (CONTINUED)**

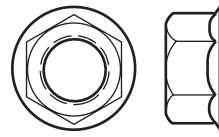
## HARDWARE IDENTIFIER (NUTS & WASHERS)



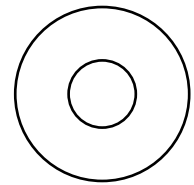
Item #58 (7)



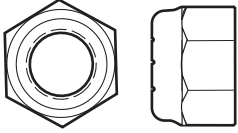
Item #37 (3)\*



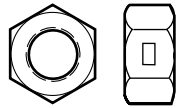
Item #15 (20)\*



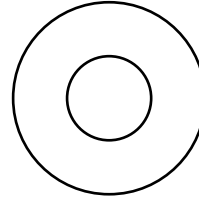
Item #11 (7)\*



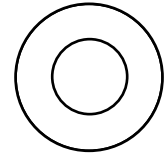
Item #8 (4)



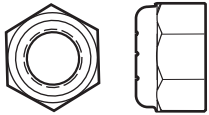
Item #55 (1)



Item #62 (4)\*

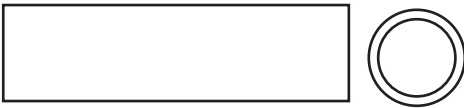


Item #20 (8)\*



Item #12 (1)

## HARDWARE IDENTIFIER (STEEL SPACERS, RODS & CLIPS)



Item #51 (2)

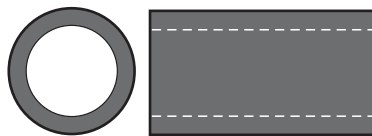


Item #33 (2)\*

## HARDWARE IDENTIFIER (PLASTIC SPACERS, CAPS & CLIPS)



Item #59 (4)



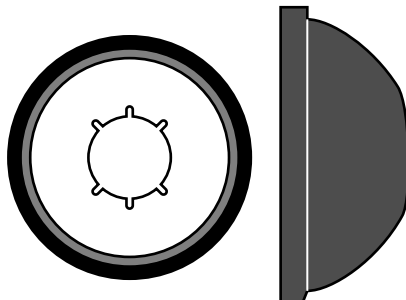
Item #67 (8)



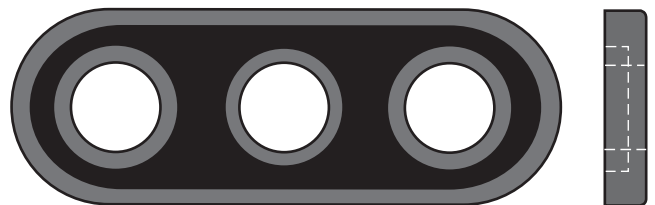
Item #13 (1)



Item #49 (12)



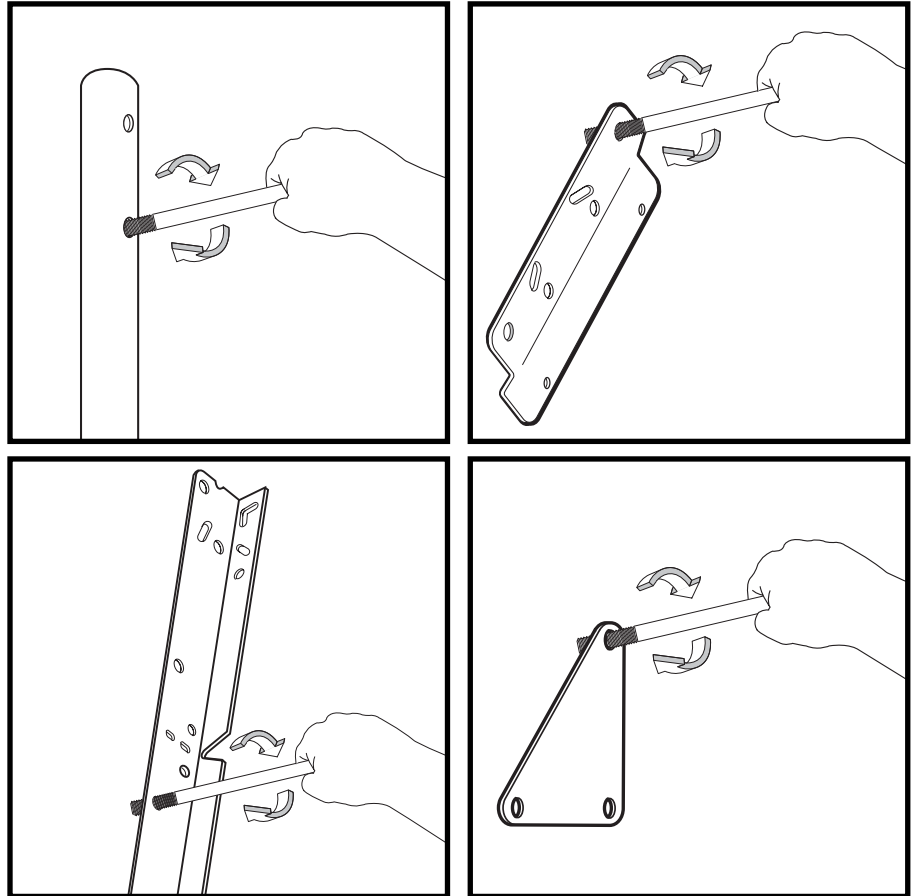
Item #29 (4)



Item #32 (2)

\*You may have extra parts with this model.

# BEFORE YOU START!



**To ensure optimal playability of backboard system, a close tolerance fit between the elevator components and hardware is required. Test-fit large bolts into large holes of elevator tubes, backboard brackets, and triangle plates. Carefully rock them in a circular motion to ream out any excess paint from holes if necessary.**

## **AVANT DE COMMENCER !**

Pour garantir l'utilisation optimale du panneau, les composants du système élévateur et la visserie doivent être bien ajustés (serrés). À titre d'essai, insérez les gros boulons dans les gros trous des tubes du système élévateur, des supports du panneau et des plaques triangulaires. Basculez-les avec précaution en imprimant un mouvement circulaire pour éliminer l'excédent de peinture, si nécessaire.

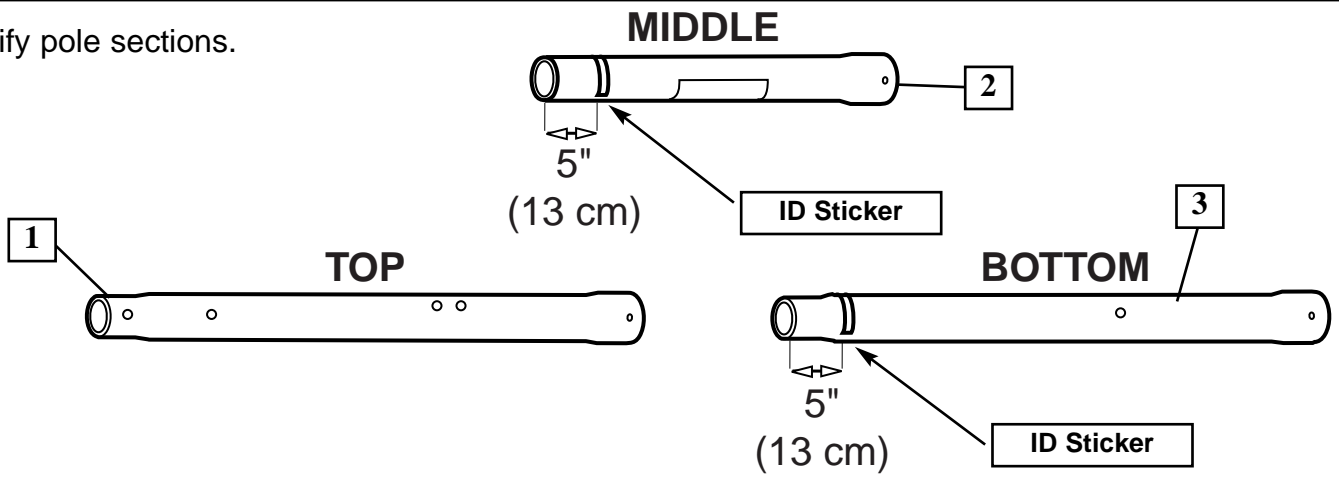
## **¡ANTES DE COMENZAR!**

Para asegurar el óptimo rendimiento del sistema del respaldo en el juego, se requiere un ajuste de tolerancia estrecha entre los componentes del elevador y el herraje. Pruebe el ajuste de los pernos grandes en los orificios grandes de los tubos elevadores, soportes del respaldo y placas triangulares. Cuidadosamente muévalos en círculos para eliminar cualquier exceso de pintura, si es necesario.

## **VORBEREITENDE MASSNAHMEN**

Um sicherzustellen, dass das Korbwandsystem optimal für den Spielbetrieb geeignet ist, müssen die Komponenten der Verlängerungsvorrichtung und die verschiedenen Befestigungsteile fest miteinander verschraubt werden. Große Schrauben zur Probe in die großen Löcher der Verlängerungsrohre, Korbwandklammern und Dreiecksplatte stecken und diese vorsichtig in einer Kreisbewegung hin- und herbewegen, um eventuelle Farbrückstände aus den Bohrungen zu entfernen.

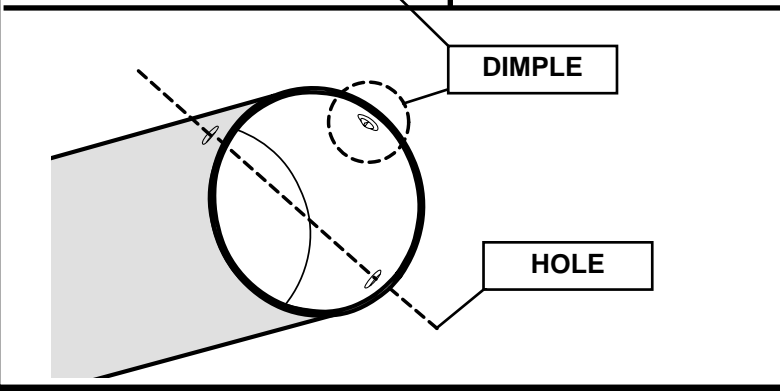
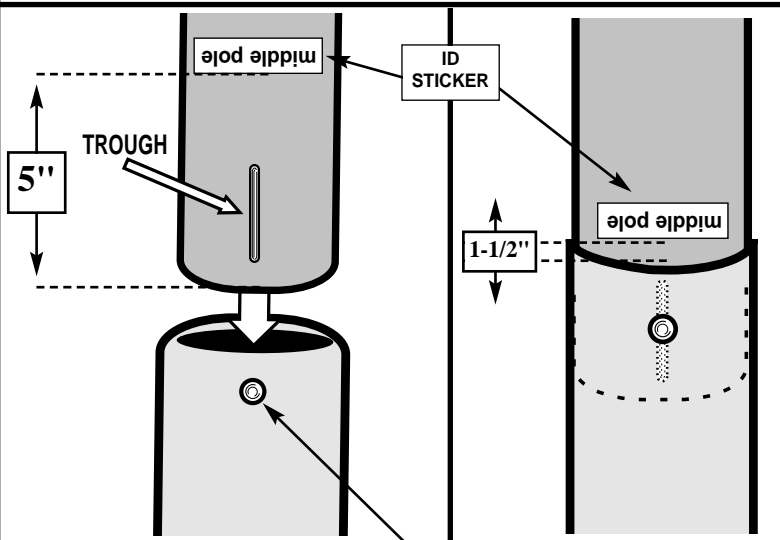
**1.** Identify pole sections.

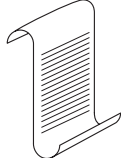



**2.** While maintaining alignment, bounce middle pole section (2) into top section (1) using a wood scrap as shown until the top pole no longer moves toward the pole identification sticker on the middle pole.

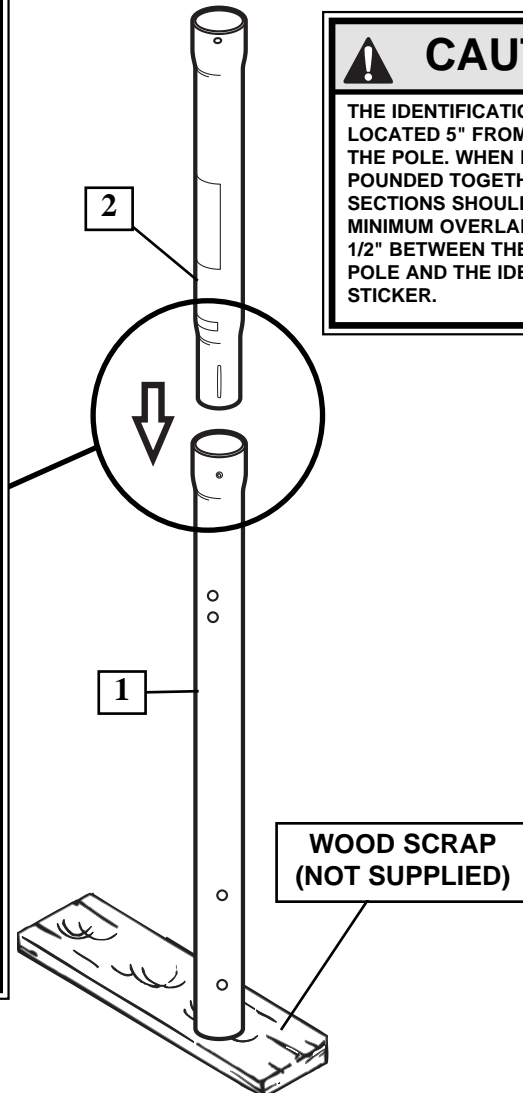
### IMPORTANT!:

Align dimple of top pole section (1) into trough of middle pole section (2) as shown.



	<b>NOTE:</b> POLE SECTIONS SHOULD HAVE A 3-1/2" (9 CM) MINIMUM OVERLAP.
---	--

	<b>CAUTION!</b> THE IDENTIFICATION STICKER IS LOCATED 5" FROM THE END OF THE POLE. WHEN PROPERLY POUNDED TOGETHER, THE POLE SECTIONS SHOULD HAVE A 3-1/2" MINIMUM OVERLAP, LEAVING 1-1/2" BETWEEN THE OVERLAPPING POLE AND THE IDENTIFICATION STICKER.
---	---

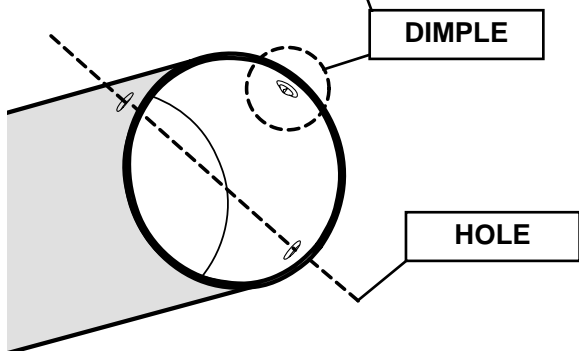
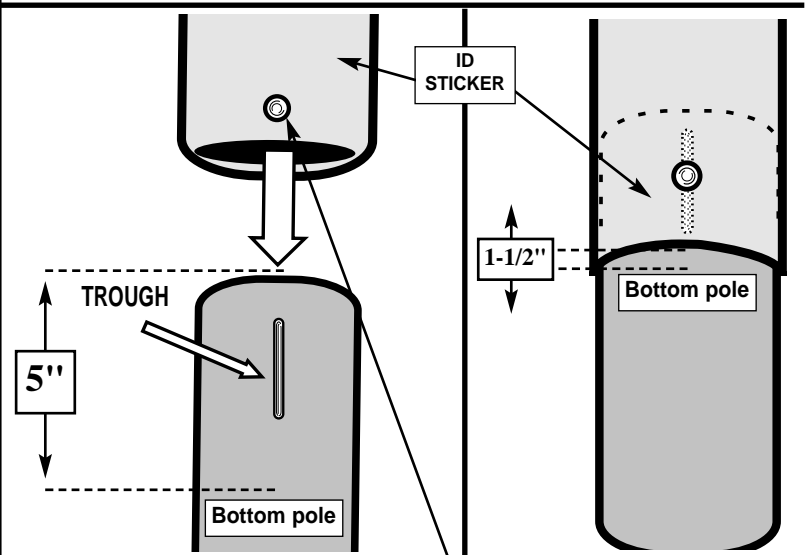




**3.** Bounce top and middle pole assembly (1 & 2) onto bottom pole section (3) using a wood scrap as shown. Bounce until the top and middle pole assembly no longer moves toward the pole identification mark on the bottom pole.

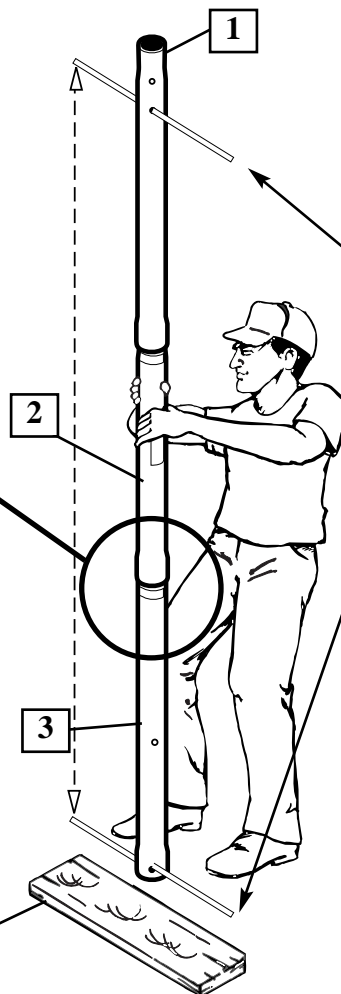
## IMPORTANT!:

Align dimple of middle pole section (2) into trough of bottom pole section (3) as shown.



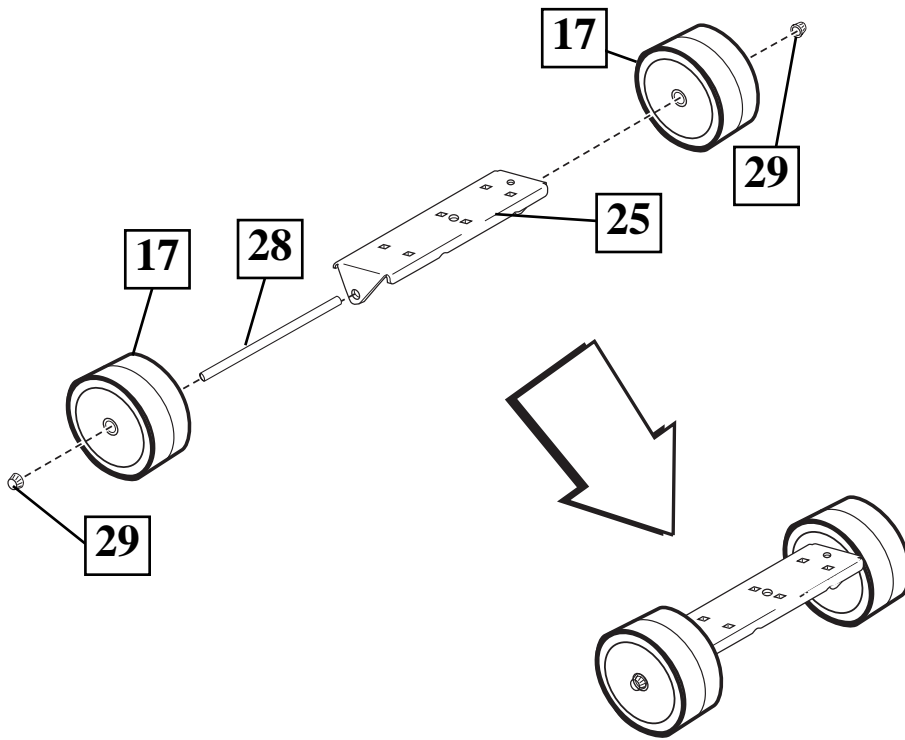
	<b>NOTE:</b>
	POLE SECTIONS SHOULD HAVE A 3-1/2" (9 CM) MINIMUM OVERLAP.

	<b>CAUTION!</b>
THE IDENTIFICATION STICKER IS LOCATED 5" FROM THE END OF THE POLE. WHEN PROPERLY POUNDED TOGETHER, THE POLE SECTIONS SHOULD HAVE A 3-1/2" MINIMUM OVERLAP, LEAVING 1-1/2" BETWEEN THE OVERLAPPING POLE AND THE IDENTIFICATION STICKER.	

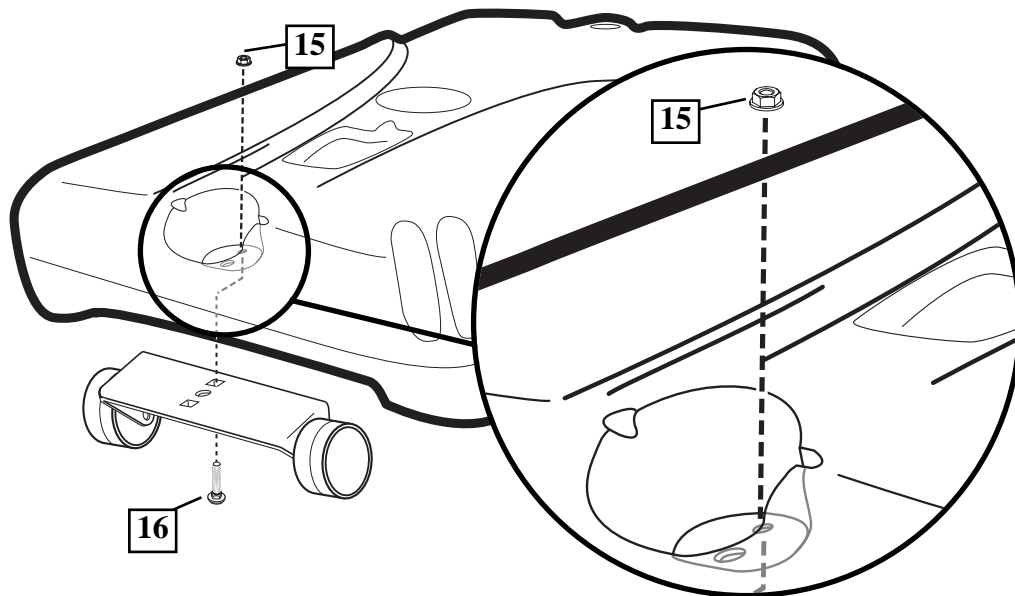


WOOD SCRAP (NOT SUPPLIED)

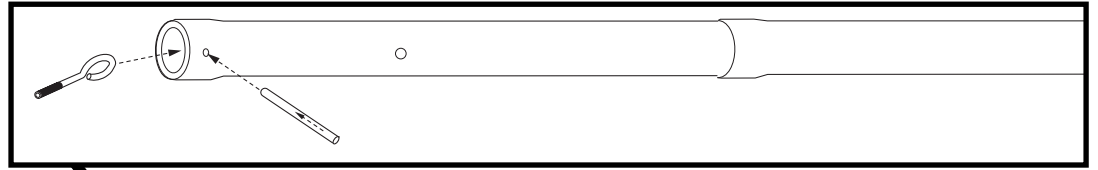
**4.** Install wheels (17) onto axle (28) and wheel bracket (25) with push caps (29) as shown.



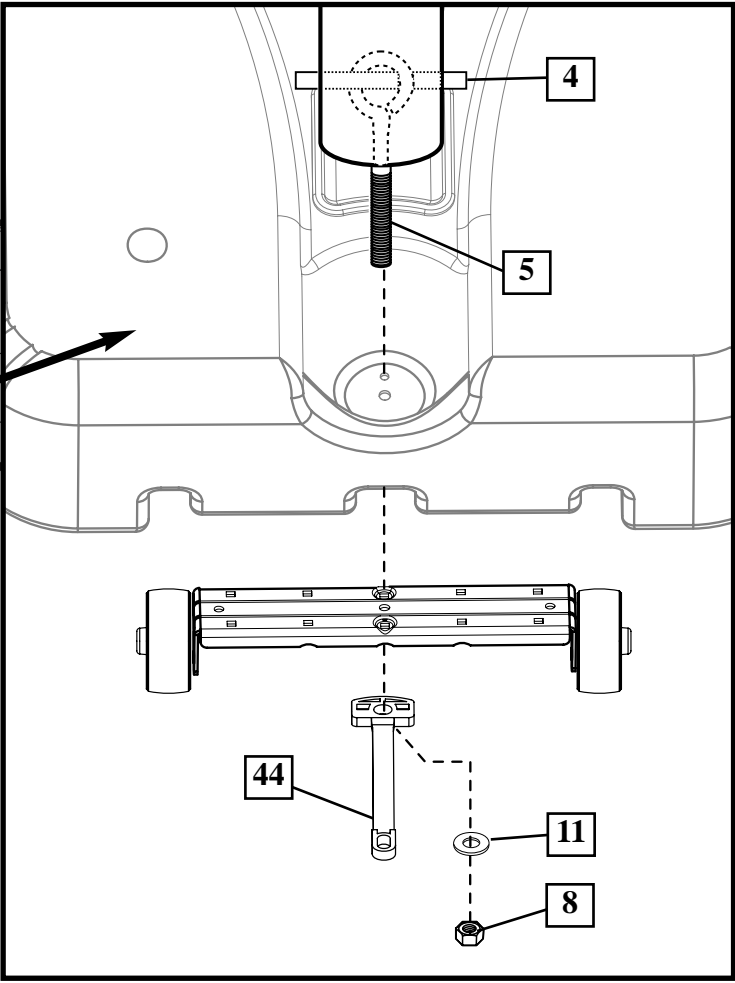
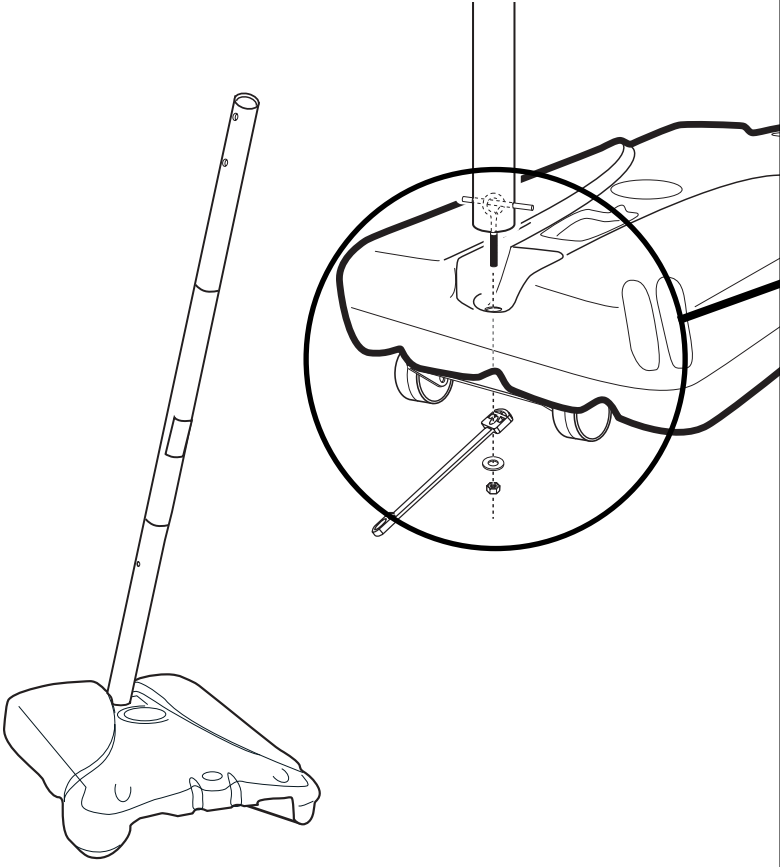
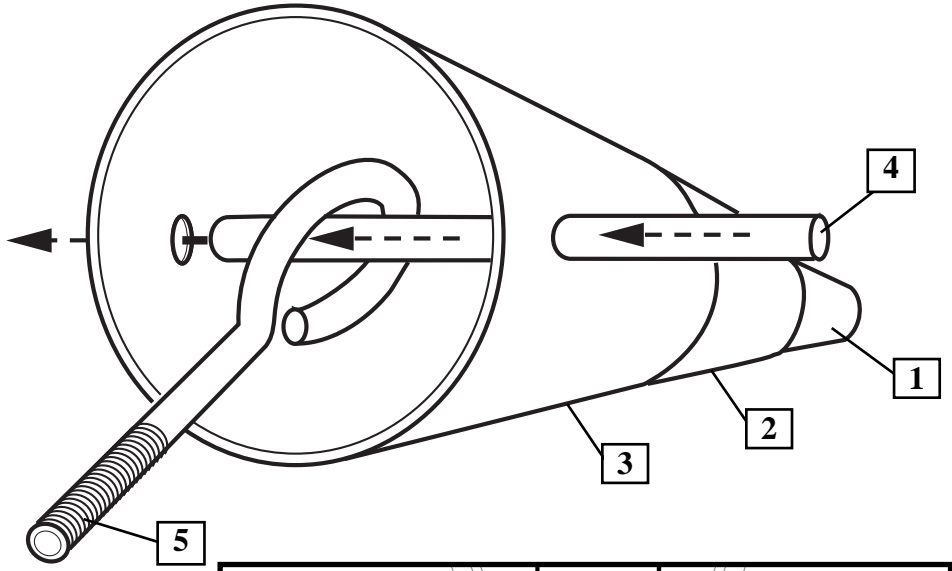
**5.** Position base as shown. Secure wheel bracket assembly with bolt (16) and nut (15) as shown.



- 6.** Install rod (4) through holes in bottom pole section (3) and eyebolt (5). Insert pole assembly into tank (6) and through center hole on wheel assembly as shown. Secure pole assembly with strap (44), washer (11) and lock nut (8).

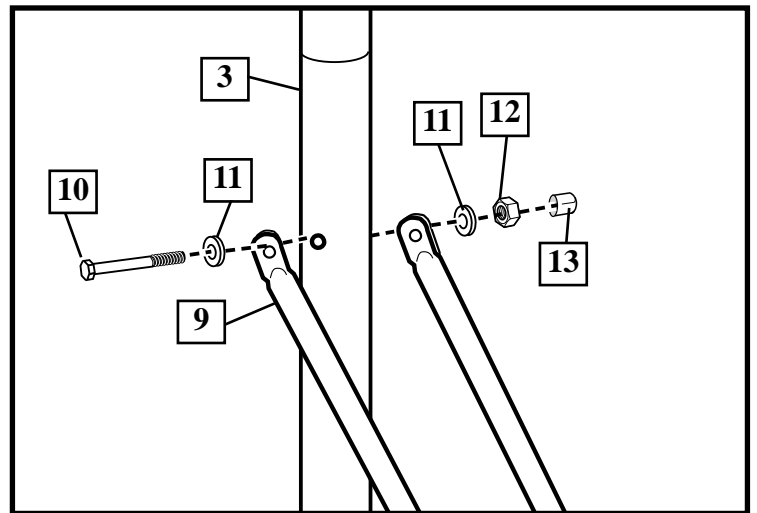


**! WARNING!**  
TWO PEOPLE REQUIRED FOR THIS PROCEDURE. FAILURE TO FOLLOW THIS WARNING COULD RESULT IN SERIOUS INJURY AND/OR PROPERTY DAMAGE.



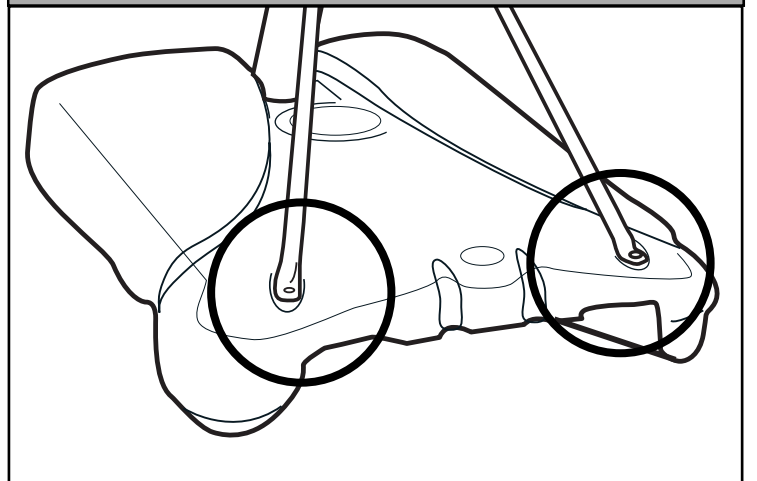
**7.** Secure base struts (9) to pole using bolt (10) washers (11) and nut (12) as shown.

	<b>! WARNING!</b>
	TWO PEOPLE REQUIRED FOR THIS PROCEDURE. FAILURE TO FOLLOW THIS WARNING COULD RESULT IN SERIOUS INJURY AND/OR PROPERTY DAMAGE.

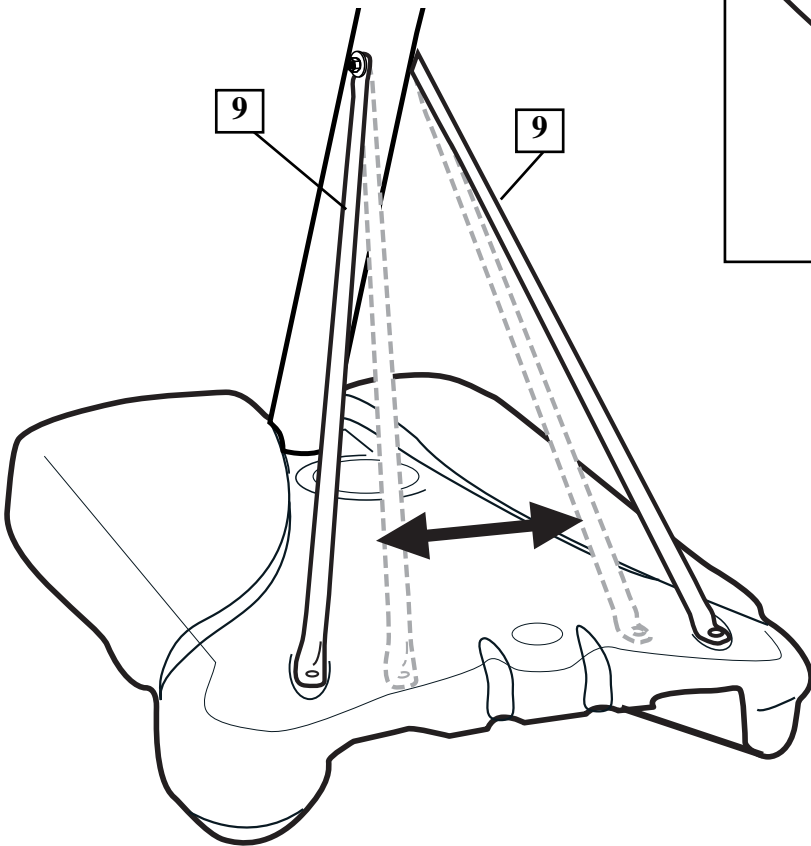


**NOTE:**

**ORIENTATION OF STRUTS**

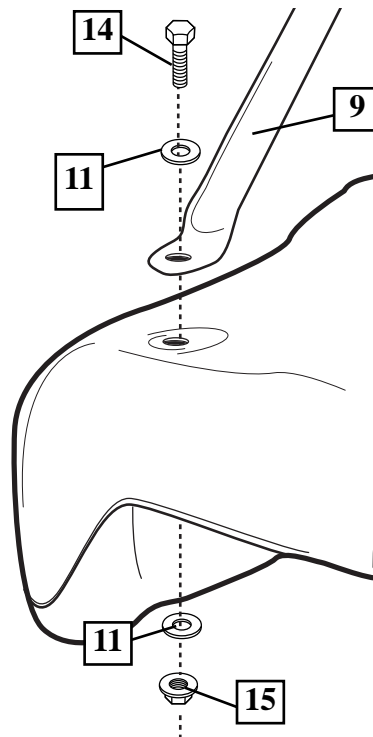


Rotate the non-secured ends of base struts (9) as shown.

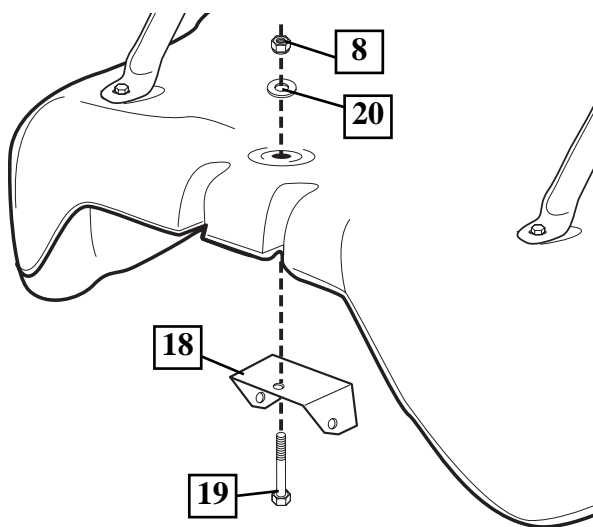


**8.** Secure base struts (9) to base using bolt (14) washers (11) and nut (15).

	<p><b>! WARNING!</b> TWO PEOPLE REQUIRED FOR THIS PROCEDURE. FAILURE TO FOLLOW THIS WARNING COULD RESULT IN SERIOUS INJURY AND/OR PROPERTY DAMAGE.</p>
---	--

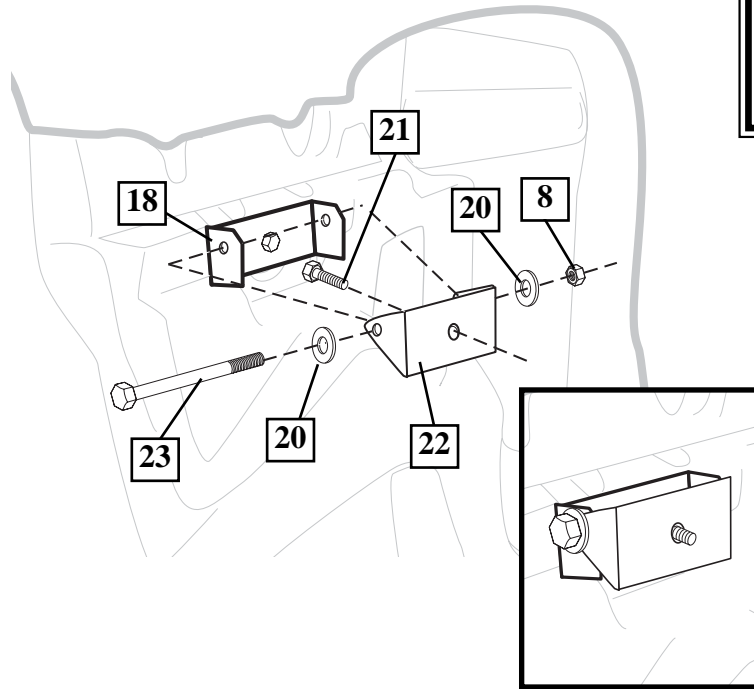


**9.** Install upper pivot bracket (18) to front of base using bolt (19), washer (20) and nut (8) as shown.



10.

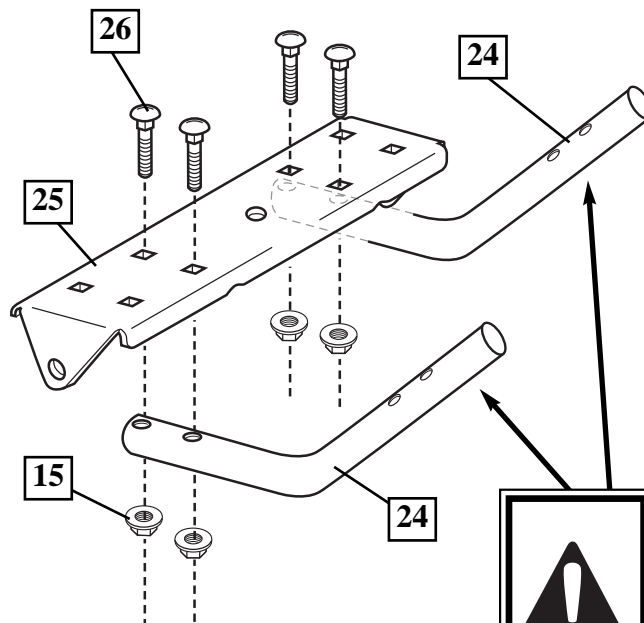
Insert bolt (21) through lower pivot bracket (22) as shown, bolt (21) will be secured during step 13. Carefully place base assembly on its side. Install lower pivot bracket (22) with bolt (23), washers (20) and lock nut (8) as shown.



	<b>IMPORTANT!:</b>
	<b>DO NOT OVER TIGHTEN</b>

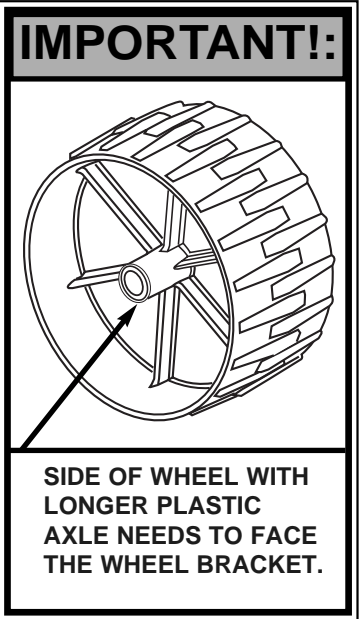
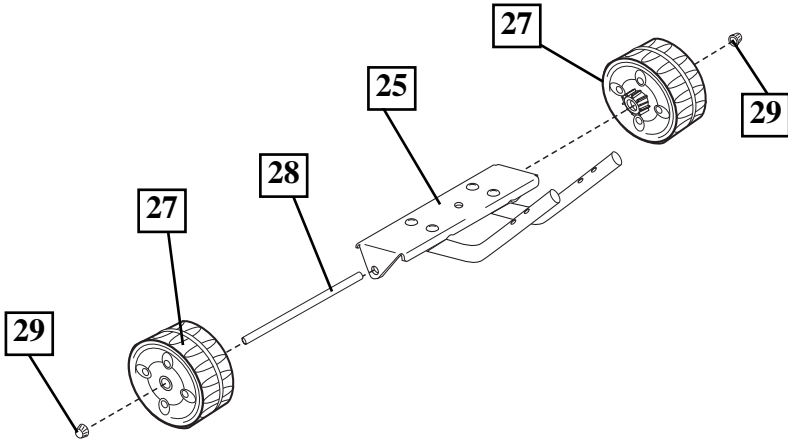
11.

Secure both hinge tubes (24) to second wheel bracket (25) with carriage bolts (26) and flange nuts (15).

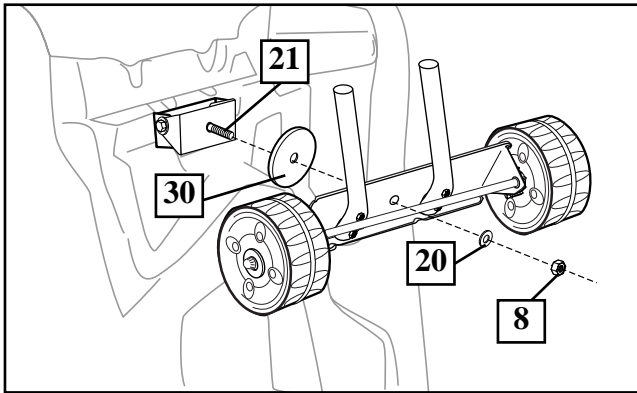


	<b>IMPORTANT!:</b>
	<b>WICHTIG!:</b>
	<b>¡IMPORTANTE!:</b>
	<b>NOTE ORIENTATION</b>
	<b>NOTEZ L'ORIENTATION.</b>
	<b>DIE KORREKTE AUSRICHTUNG BEACHTEN.</b>
	<b>NOTE LA ORIENTACIÓN.</b>

**12.** Install wheels (27) onto axle (28) and wheel bracket (25) with push caps (29) as shown.



**13.** Position base as shown. Secure wheel bracket assembly with disc (30), washer (20) and nut (8) as shown.



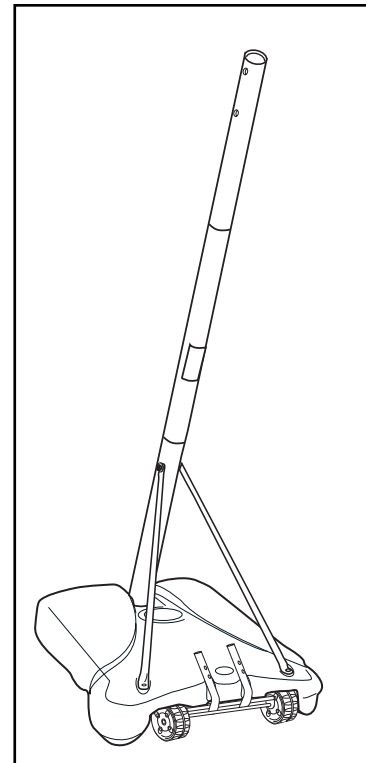
**! WARNING!**

TWO PEOPLE REQUIRED FOR THIS PROCEDURE. FAILURE TO FOLLOW THIS WARNING COULD RESULT IN SERIOUS INJURY AND/OR PROPERTY DAMAGE.

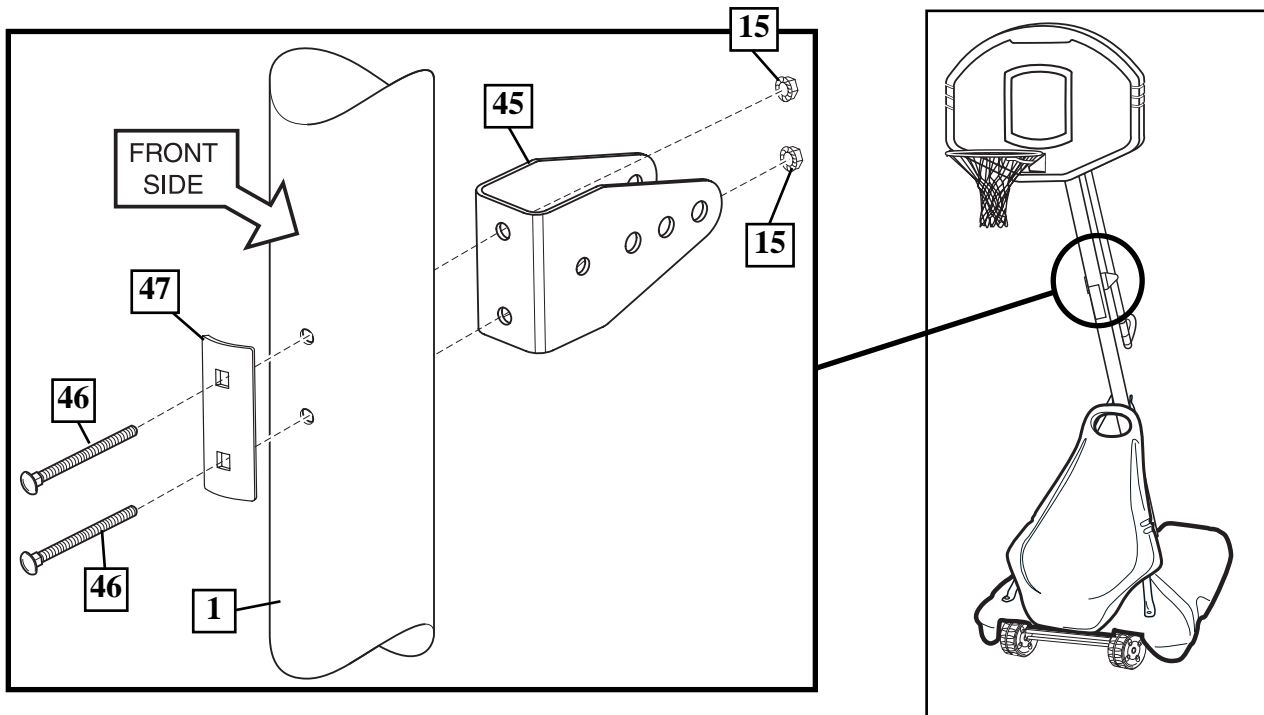
**! IMPORTANT!:**

DO NOT OVER TIGHTEN

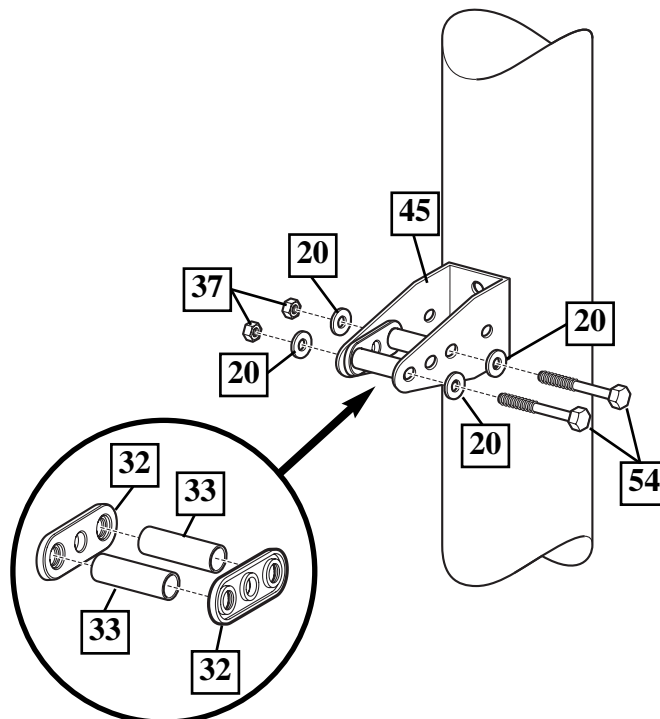
**14.** Carefully reposition entire assembly as shown:



- 15.** Install pole mount bracket (45) and reinforcement bracket (47) with carriage bolts (46) as shown. Tighten flange nuts (15) completely.




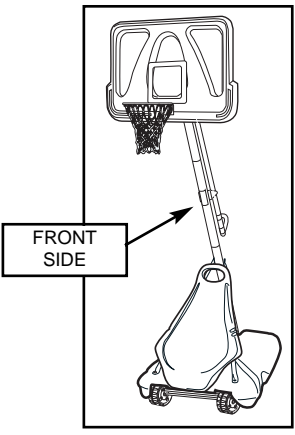
- 16.** Attach spacers (32, 33) to pole mount bracket (45) with bolts (54), washers (20), and lock nuts (37) as shown. **IMPORTANT! Tighten just until washers (20) stop moving.**



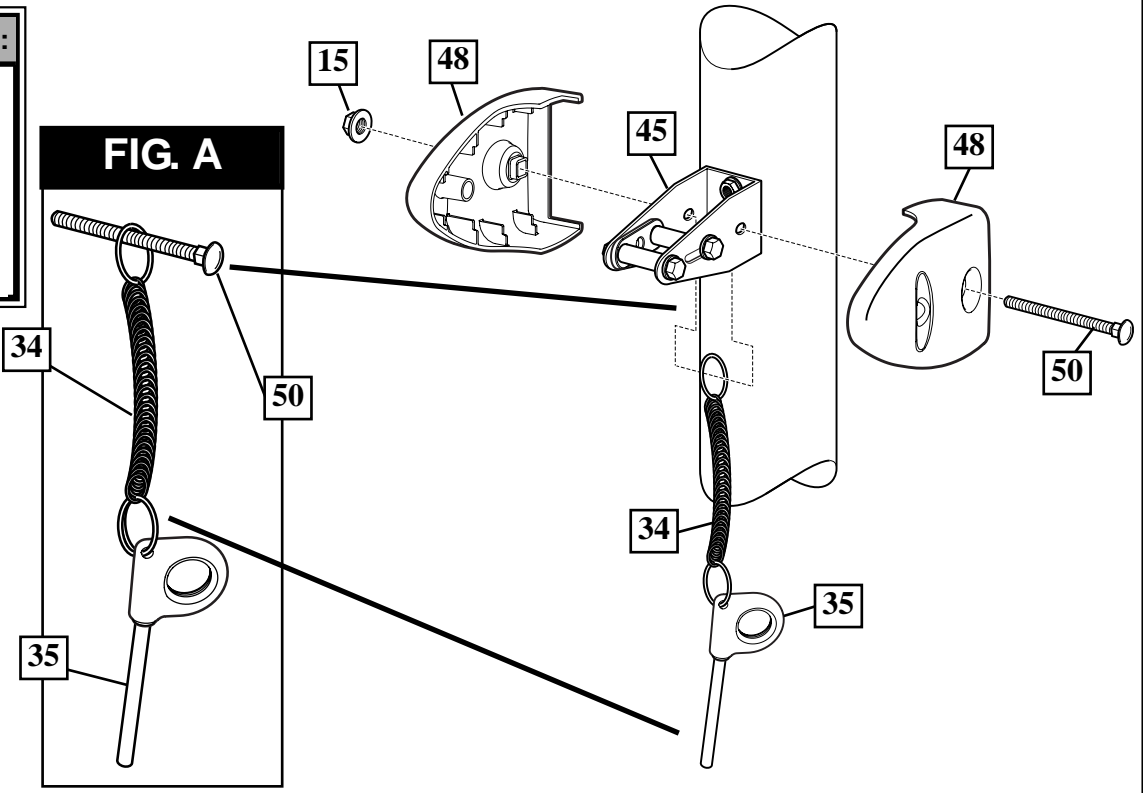


**17.** Assemble lanyard (34) to locking pin (35) as shown (FIG A). Attach covers (48) onto pole mount bracket (45) with carriage bolt (50) and nut (15) as shown.

**! IMPORTANT!:**  
 Loop end of pin lanyard (34) over carriage bolt (50) as it passes through the pole mount bracket (45) during this assembly.

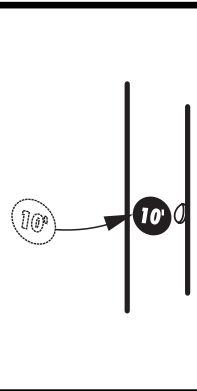
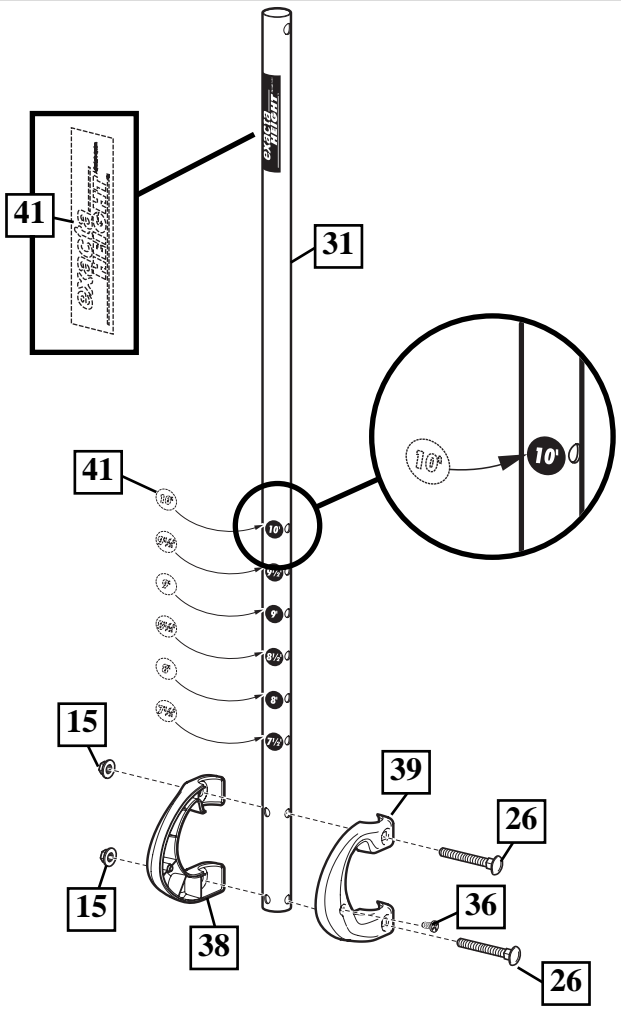



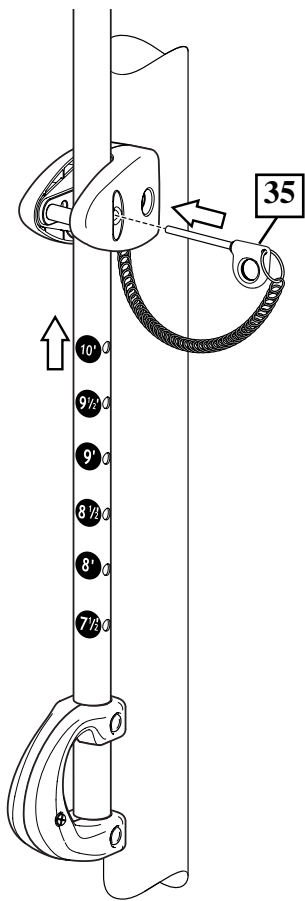
**FIG. A**



**18.** Apply logo and height indicator labels (41) to adjustment rod (31) as shown. Attach handle parts (38, 39) to adjustment rod with screw (36), carriage bolts (26), and flange nuts (15) as shown.

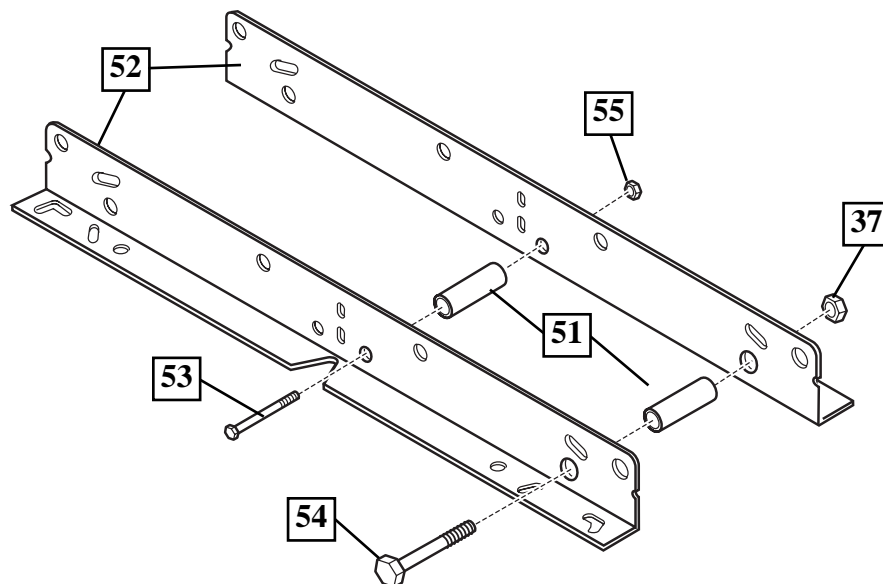
**! IMPORTANT!:**  
 Indicator labels should be applied as close to holes as possible to prevent labels from being damaged during height adjustment.



- 19.** Insert handle assembly through pole mount assembly as shown. Lock pole assembly in place at the 10' (3.05 m) mark with pin (35).

- 20.** Install spacers (51) onto backboard brackets (52), with bolts (53, 54) and lock nuts (55, 37) as shown.



**IMPORTANT!:**

KEEP HARDWARE LOOSE  
UNTIL AFTER STEP 25 IS  
COMPLETED.

**21.** Identify elevator tubes (63 & 56).

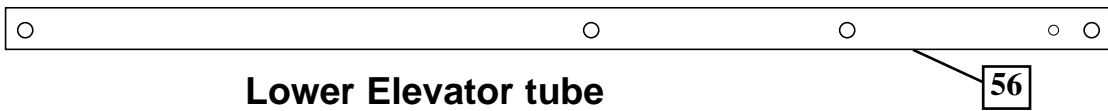
Toward Board



Toward Pole

Upper Elevator tube

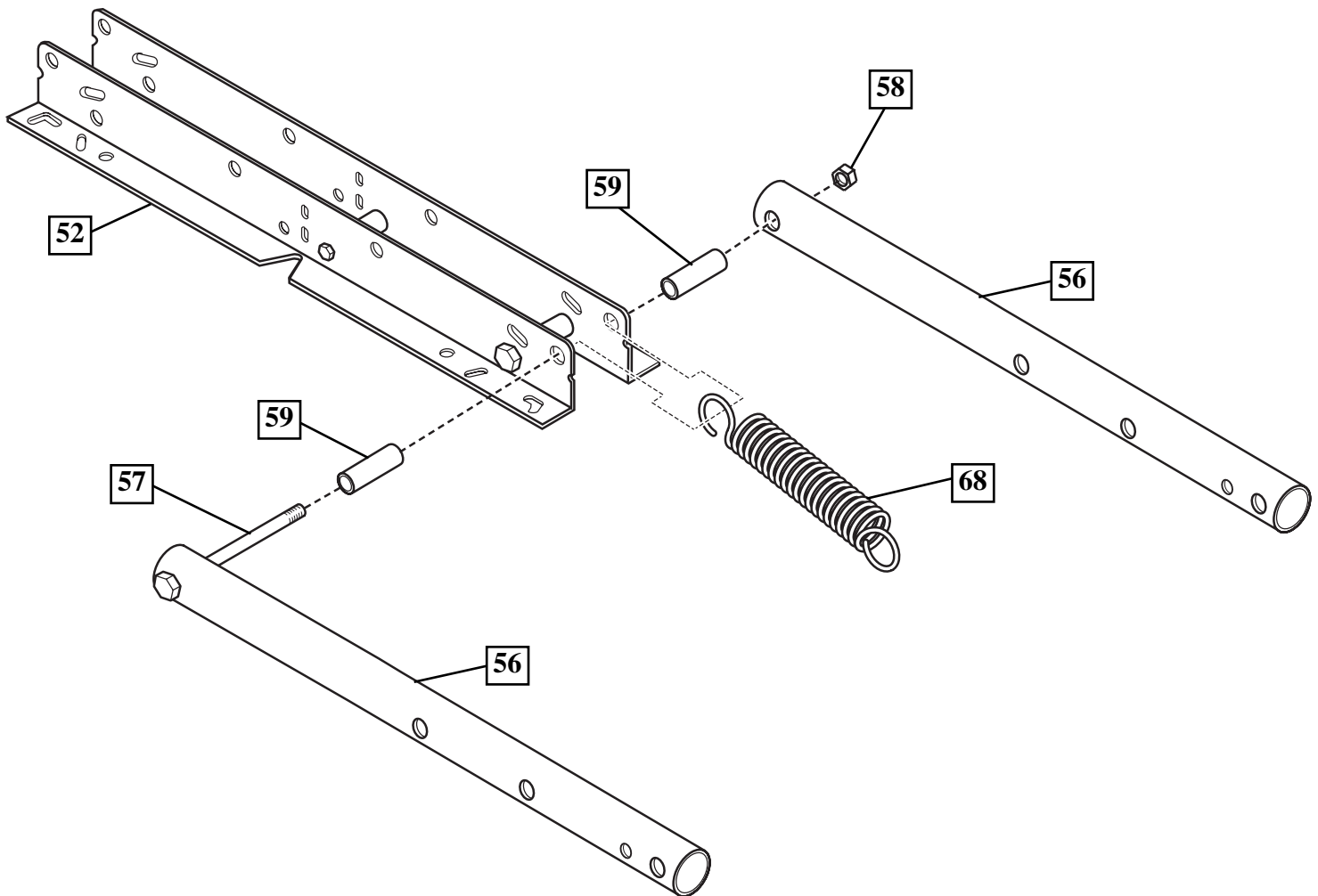
Toward Board



Toward Pole

Lower Elevator tube

Attach lower elevator tubes (56) and counter balance spring (68) to backboard support brackets (52) using spacers (59), bolt (57), and nut (58) as shown.

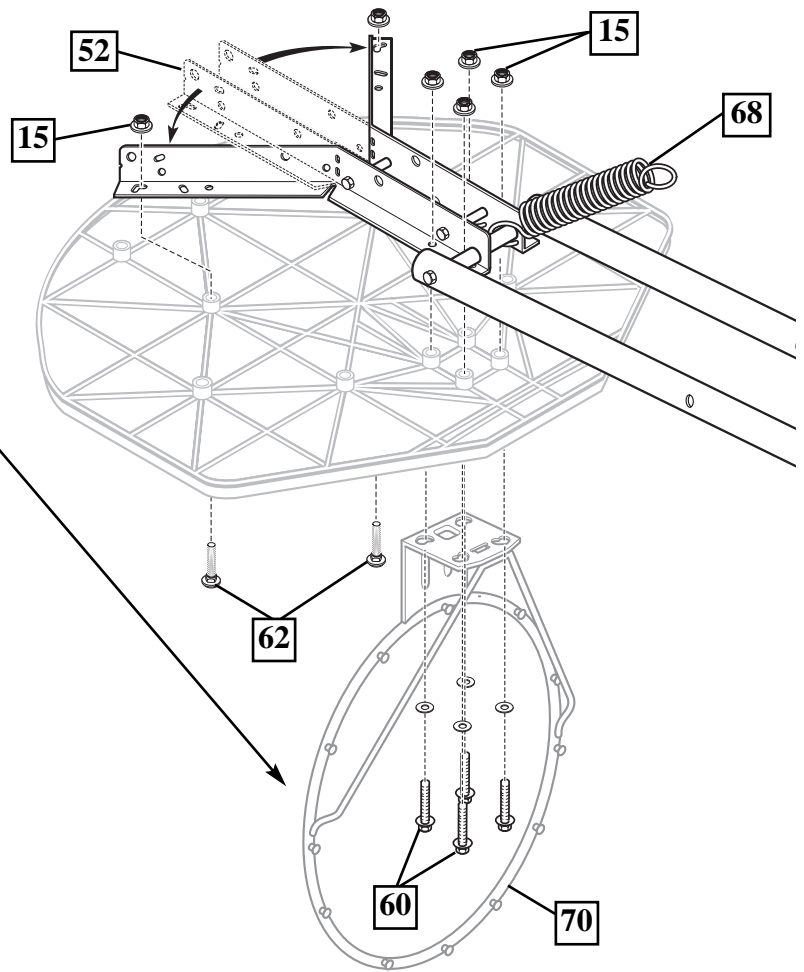


- 22.** Starting with nuts (15) flush against bracket (52) secure rim (70) and bracket to backboard.

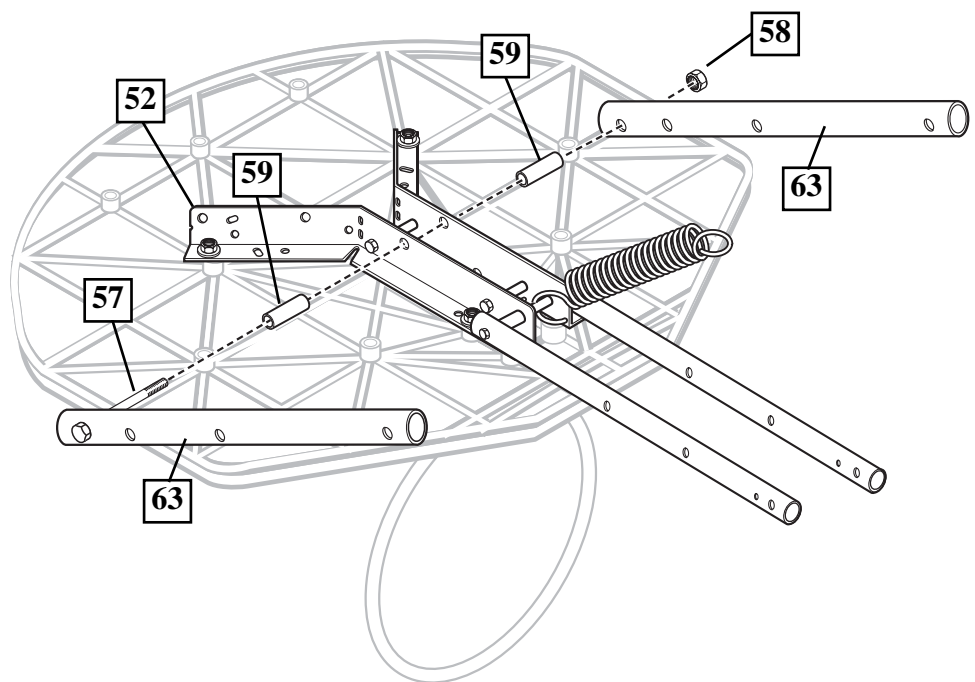
**IMPORTANT!** For spring loaded rim assembly, refer to instructions included with rim hardware.

**NOTE:** Rim mounting nuts and bolts supplied with rim hardware.

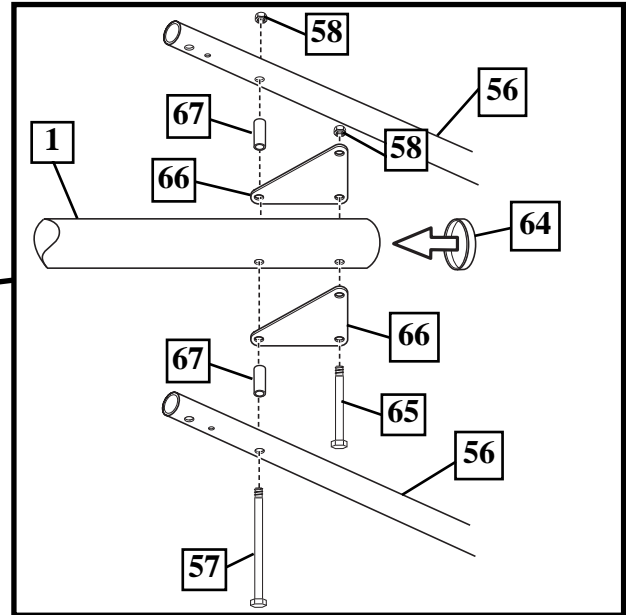
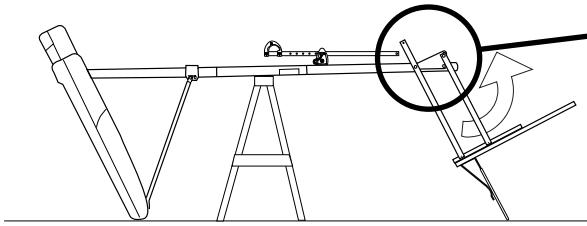
**NOTE:** DO NOT use washers here on spring return style rims.



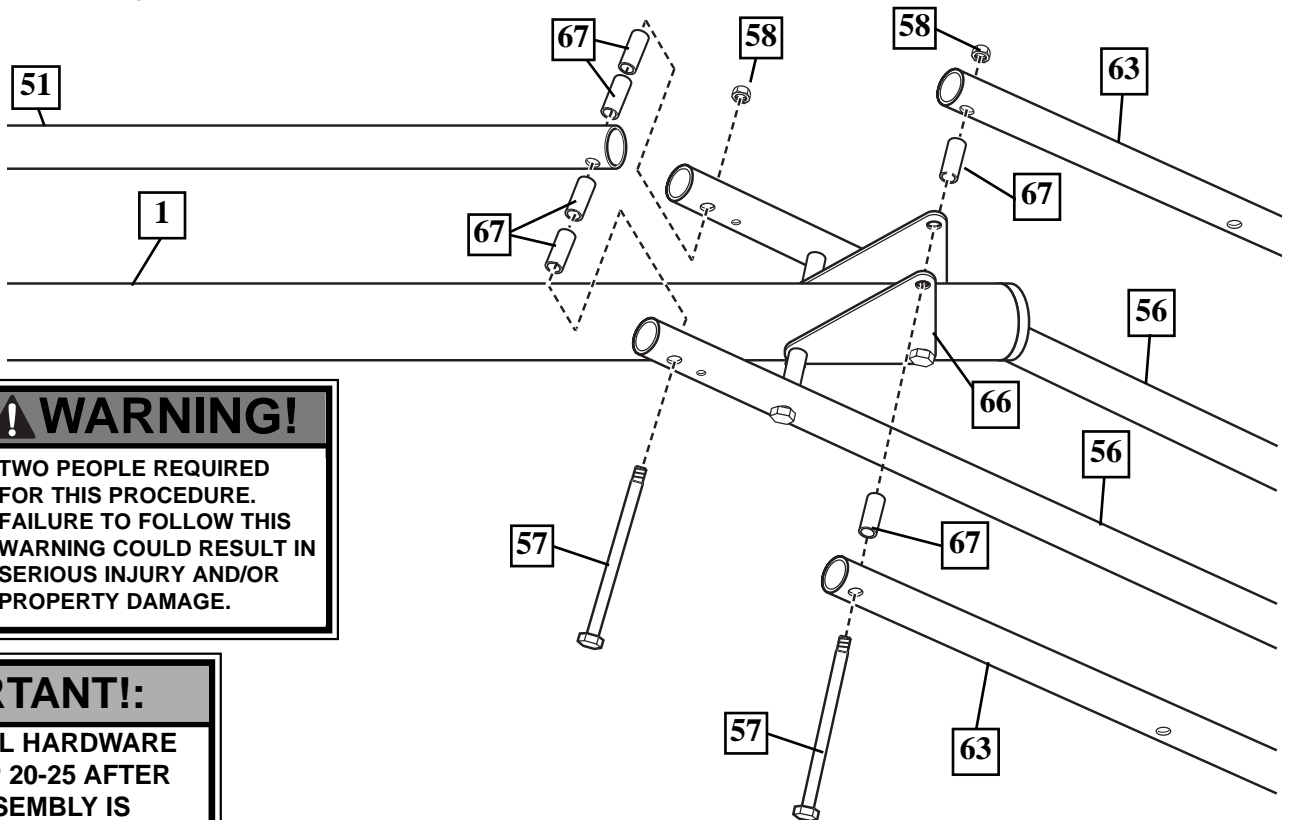
- 23.** Attach upper elevator tubes (63) to backboard support brackets (52) using spacers (59), bolt (57), and nut (58) as shown.



- 24.** Support pole on sawhorse. Attach backboard assembly to top pole section (1) as shown. Install pole cap (64). **NOTE:** Two people are recommended for this step. Use caution; elevator assembly is heavy.

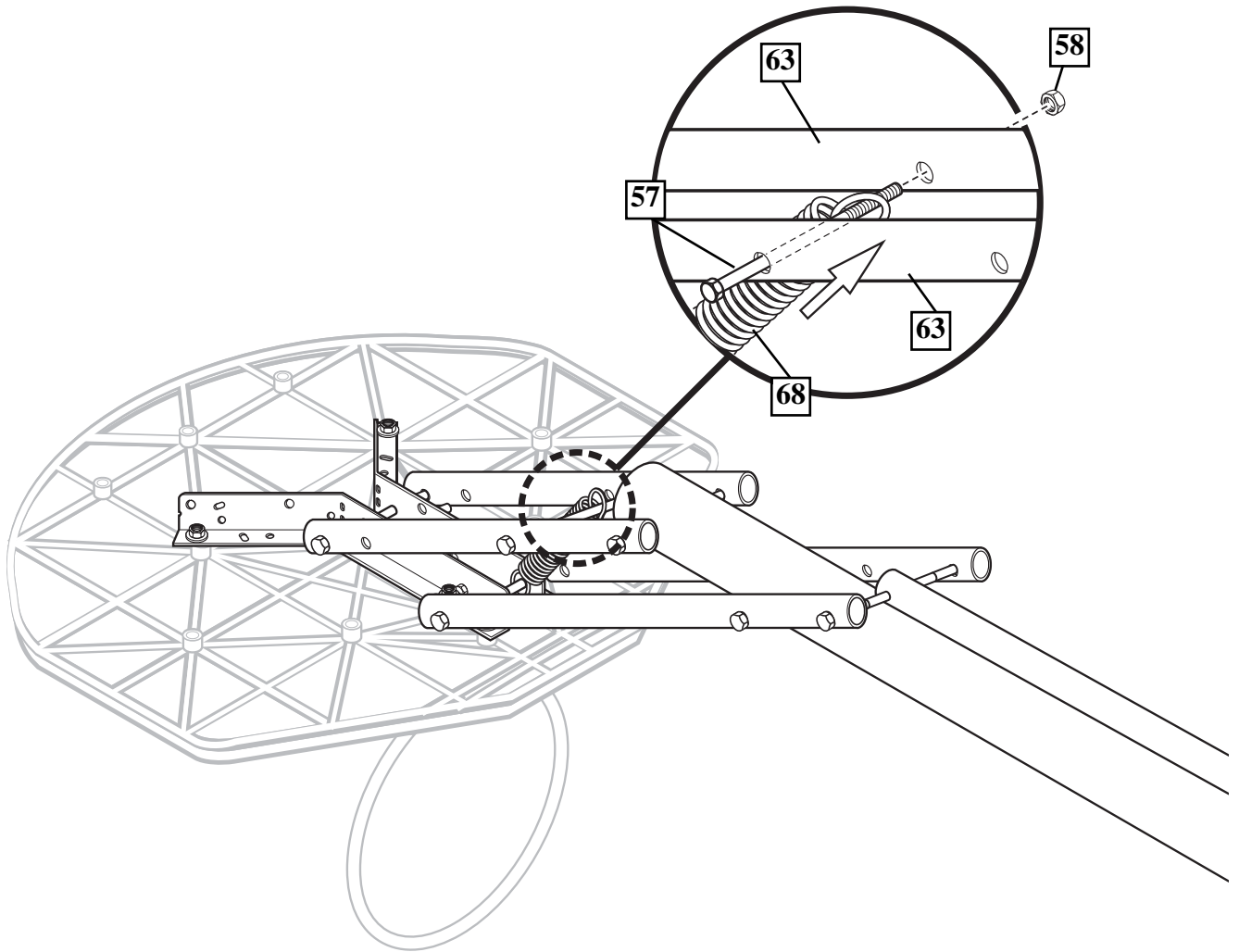


- 25.** Install upper elevator tubes (63) to triangle plates (66) as shown. Install handle assembly to lower elevator tubes (56) using bolt (57), spacers (67), and nut (58) as shown.  
**NOTE:** Before going on to next step, set adjustable system assembly to the 10' (3.05 m) setting.



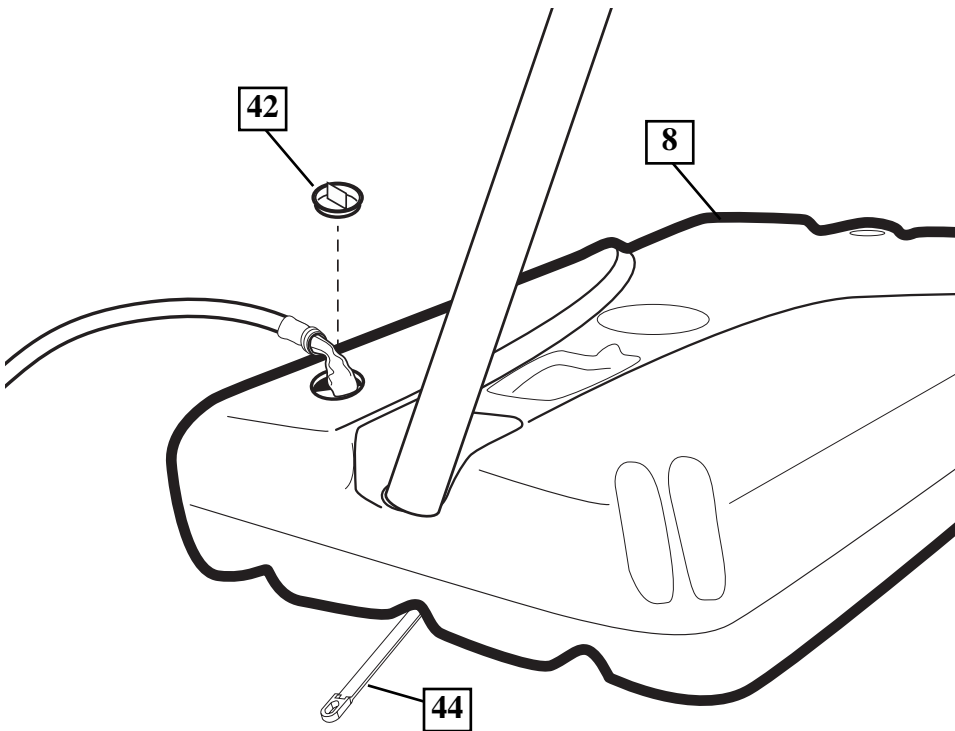
	<p><b>! WARNING!</b></p> <p>TWO PEOPLE REQUIRED FOR THIS PROCEDURE. FAILURE TO FOLLOW THIS WARNING COULD RESULT IN SERIOUS INJURY AND/OR PROPERTY DAMAGE.</p>
	<p><b>IMPORTANT!:</b></p> <p>TIGHTEN ALL HARDWARE FROM STEP 20-25 AFTER THIS ASSEMBLY IS COMPLETED.</p>

- 26.** Insert bolt (57) through left side upper elevator tube (63), then stretch spring (68) onto bolt (57). Insert bolt (57) through right side upper elevator tube (63) and secure with nut (58).



# SECTION D: INSTALL FRONT COVER & HANDLE

**27.** Upright system and fill base (8) with water (approx. 40 gallons) and snap fill cap (42) in place.



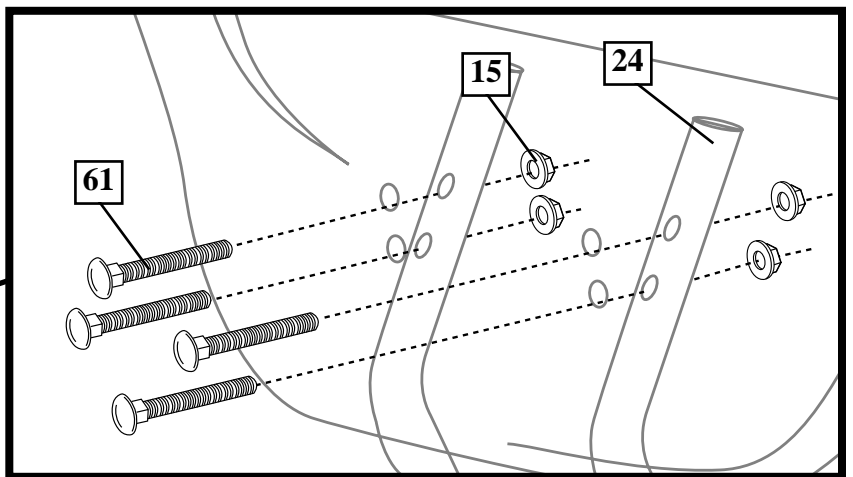
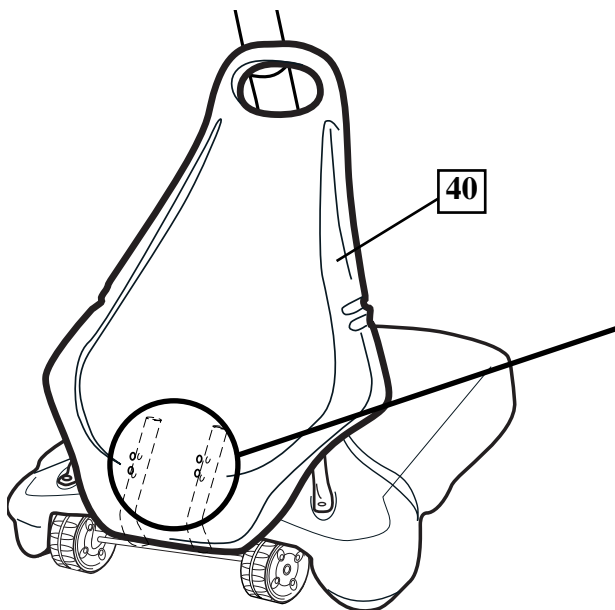
	<b>! WARNING!</b>
	TWO PEOPLE REQUIRED FOR THIS PROCEDURE. FAILURE TO FOLLOW THIS WARNING COULD RESULT IN SERIOUS INJURY AND/OR PROPERTY DAMAGE.

	<b>! WARNING!</b>
	DO NOT LEAVE ASSEMBLY UNATTENDED WHEN EMPTY; IT MAY TIP OVER.

	<b>! CAUTION!</b>
	ADD TWO GALLONS (7.6 LITERS) OF NON-TOXIC ANTIFREEZE IN SUB-FREEZING CLIMATES.

	<b>NOTE:</b>
	<b><i>IF USING SAND:</i></b> 2 GALLONS OF ANTI-FREEZE IS <b><u>NOT</u></b> REQUIRED

**28.** Attach front cover (40) to hinge tubes (18) using carriage bolts (51) and flange nuts (22) as shown.



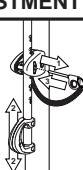
**29.** Roll assembly to desired playing area. Secure assembly to ground using strap (44) and tie down stake (7).

**30.** Apply height and moving label (43) to front of pole as shown.

**HEIGHT ADJUSTMENT**

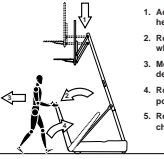
TO ADJUST BACKBOARD:

1. While holding handle, remove pin.
2. Move elevator up or down to desired height.
3. Replace pin full length to lock system at desired height.

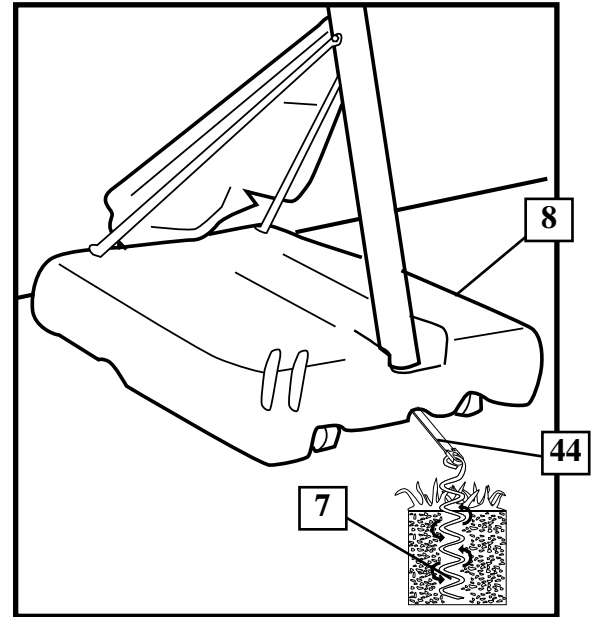
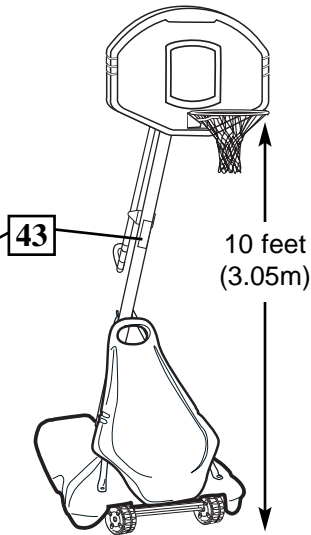


**MOVING SYSTEM**

1. Adjust basketball backboard height to lowest position.
2. Rotate handle forward until wheels engage ground.
3. Move basketball system to desired location.
4. Rotate handle back to original position.
5. Reattach ground restraint and check system for stability.



203814 03/04



**ELEVATOR HEIGHT ADJUSTMENT**



**! WARNING!**

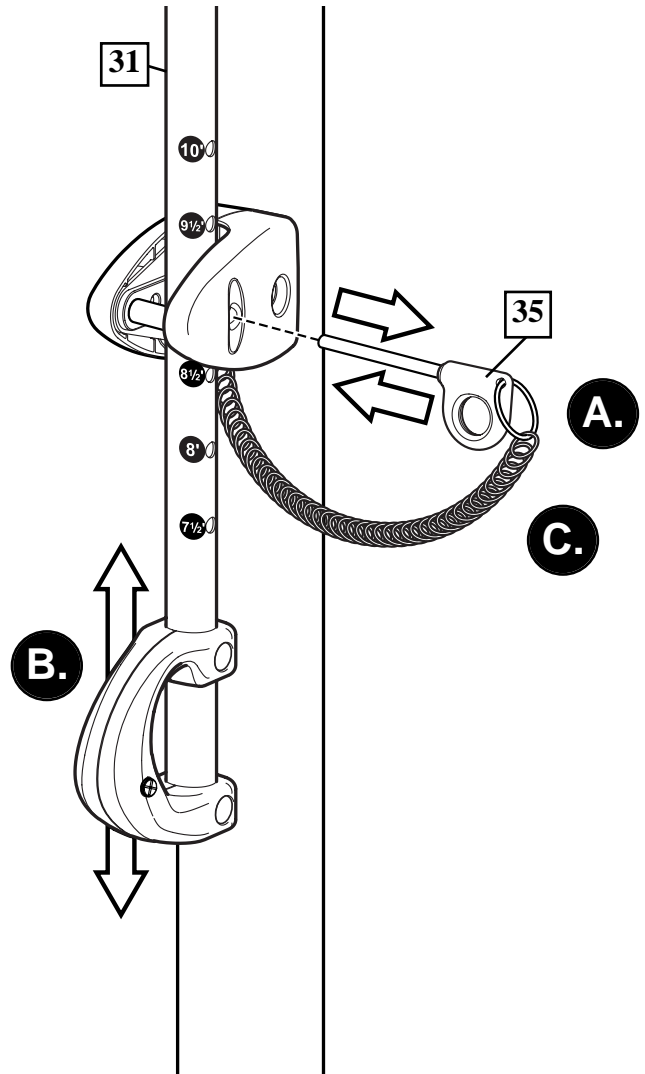
**DO NOT ALLOW CHILDREN TO ADJUST HEIGHT.**

**31.**

**A.** While holding handle, remove pin (35).

**B.** Move elevator up or down to desired height.

**C.** Replace pin (35) full length to lock system at desired height.





**32**

Install net clips. Installez les pinces du filet. Netzhalteklammern anbringen. Instale los sujetadores de la red.

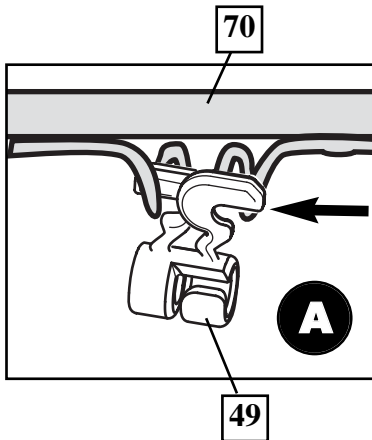
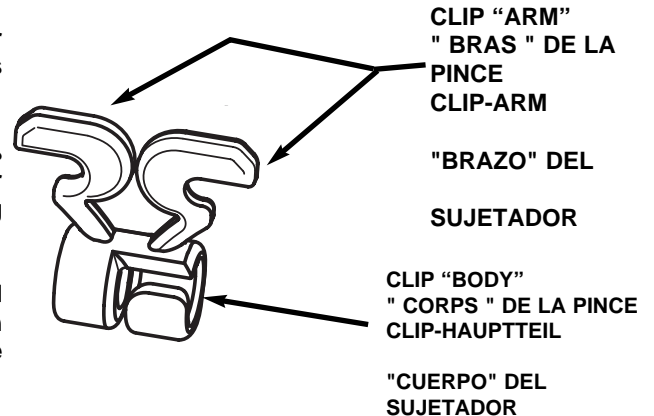


**WARNING:** Use of this product without proper installation of net clips, or when all net clips are not present could result in bodily harm. Be sure to follow directions carefully.

**AVERTISSEMENT :** L'utilisation de ce produit sans installer correctement ou toutes les pinces du filet risque de causer des blessures. Veuillez à suivre scrupuleusement les instructions.

**WARNUNG:** Ein Gebrauch dieses Produkts ohne ordnungsgemäß angebrachte Netzhalteklammern bzw. ohne den Gebrauch der Netzhalteklammern kann Verletzungen nach sich ziehen. Die Anleitung genau befolgen.

**ADVERTENCIA:** Si este producto se usa con los sujetadores de la red incorrectamente instalados, o si no están todos presentes, se pueden ocasionar lesiones corporales. Asegúrese de seguir cuidadosamente las instrucciones.

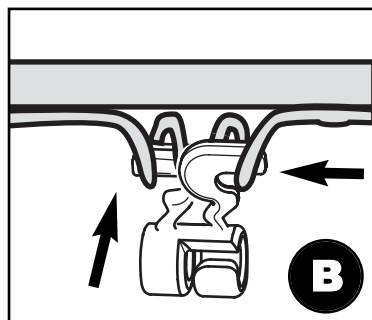


Insert one "arm" of clip (70) into ram (49) as shown. Twist "body" of clip slightly so that second "arm" slides over the top of the first "arm" as shown. Push in direction indicated by arrows.

Insérez un " bras " de la pince (70) dans l'éperon (49), comme illustré. Tournez légèrement le corps de la pince de sorte que le second bras glisse par-dessus le premier, comme illustré.

Einen Arm des Clips (70) wie gezeigt in die Spirale (49) einsetzen. Den Hauptteil des Clips etwas drehen, sodass der zweite Arm wie gezeigt oben über den ersten Arm geschoben werden kann.

Introduzca un "brazo" del sujetador (70) en el accionador (49) como se muestra. Tuerza ligeramente el "cuerpo" del sujetador de manera que el segundo "brazo" se deslice sobre el primer "brazo" como se muestra.

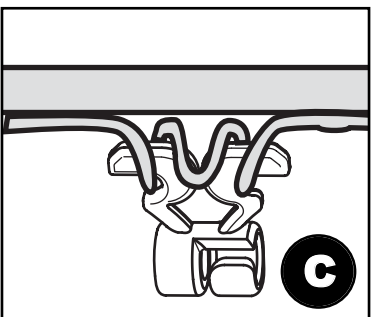


Push second "arm" back and into ram as shown.

Poussez dans le sens des flèches.

In die durch die Pfeile angezeigte Richtung schieben.

Empuje hacia la dirección que indican las flechas.



Twist "body" of clip slightly again to spread "arms" of clip. Clip "arms" must be flat and touching edge to edge as shown, not overlapping.

Tournez légèrement le corps de la pince une nouvelle fois pour en étaler les bras.

Den Hauptteil des Clips noch einmal leicht drehen, um die Arme des Clips zu spreizen.

Otra vez tuerza ligeramente el "cuerpo" del sujetador para abrir los "brazos" del sujetador.

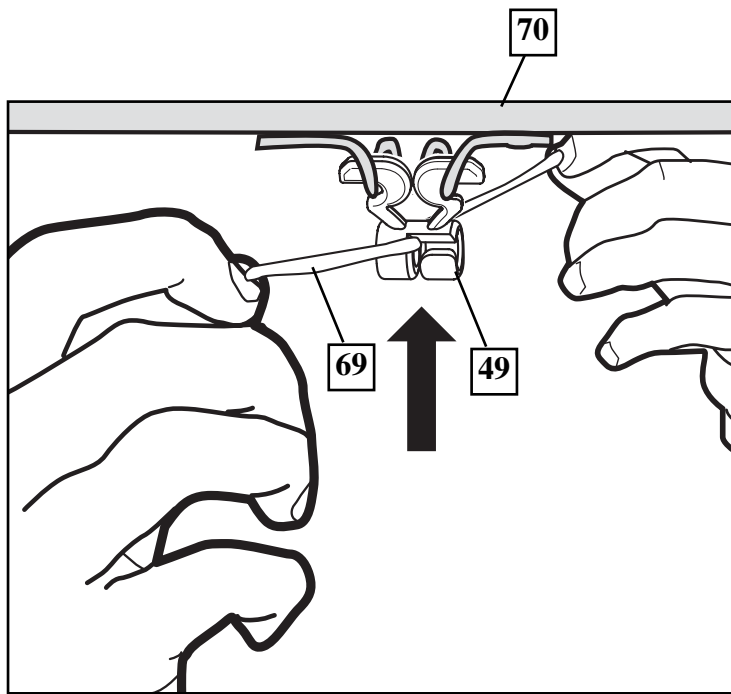
**33.**

Install net.

Installez le filet.

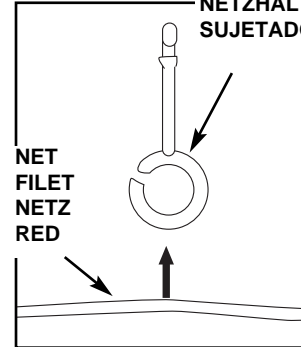
Das Netz anbringen

Instale la red.



**SIDE VIEW**  
 VUE DE CÔTÉ  
 SEITENANSICHT  
 VISTA LATERAL

**NETCLIP**  
 PINCE DE FILET  
 NETZHALTEKLAMMER  
 SUJETADOR DE LA RED

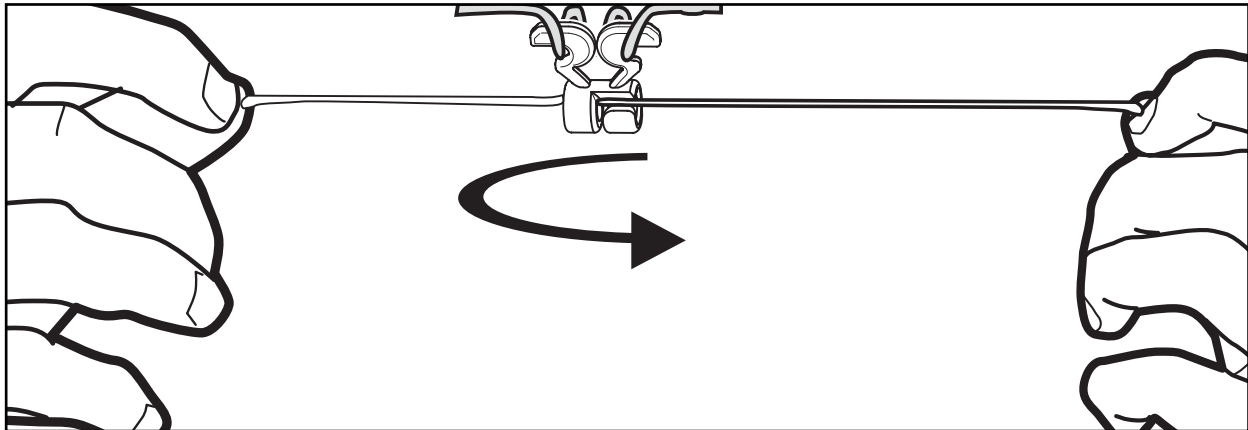


Insert net into bottom of clip as shown.

Insérez le filet dans la base de la pince, comme illustré.

Das Netz wie gezeigt unten in den Clip stecken.

Introduzca la red en la parte inferior del sujetador como se muestra.



Twist net until it snaps into position.  
Net must be centered through clip.

Tournez le filet jusqu'à ce qu'il s'enclenche en position.

Das Netz drehen, bis es einschnappt.

Tuerza la red hasta que quede conectada en su posición.

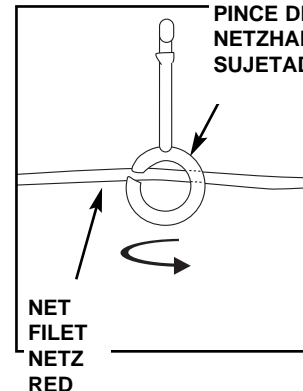
Le filet doit être centré dans la pince.

Das Netz muss im Clip zentriert werden.

La red debe quedar centrada a través del sujetador.

**SIDE VIEW**  
 VUE DE CÔTÉ  
 SEITENANSICHT  
 VISTA LATERAL

**NETCLIP**  
 PINCE DE FILET  
 NETZHALTEKLAMMER  
 SUJETADOR DE LA RED



## Free Manuals Download Website

<http://myh66.com>

<http://usermanuals.us>

<http://www.somanuals.com>

<http://www.4manuals.cc>

<http://www.manual-lib.com>

<http://www.404manual.com>

<http://www.luxmanual.com>

<http://aubethermostatmanual.com>

Golf course search by state

<http://golfingnear.com>

Email search by domain

<http://emailbydomain.com>

Auto manuals search

<http://auto.somanuals.com>

TV manuals search

<http://tv.somanuals.com>