

## Rim Owners Manual

### SAFETY INSTRUCTIONS

**FAILURE TO FOLLOW THESE SAFETY INSTRUCTIONS MAY RESULT IN SERIOUS INJURY, PROPERTY DAMAGE AND WILL VOID WARRANTY.**

***Owner must ensure that all players know and follow these rules for safe operation of the unit.***

To ensure safety, do not attempt to assemble this system without following the instructions carefully. Check entire box and inside all packing material for parts. Before beginning assembly, read the instructions and identify parts using the hardware identifier and parts list in this document. Proper and complete assembly, use and supervision is essential for proper operation and to reduce the risk of accident or injury. A high probability of serious injury exists if this system is not installed, maintained, and operated properly.

- Read and understand the warning label enclosed with hardware. It is the responsibility of the customer to mount this label. It should be affixed to the pole, wall, or door near playing area, at a height between 4-6 feet (1.22-1.83M) above ground level and in a location visible to all players.
- During assembly, if using a ladder use extreme caution. Two people are recommended for this operation.
- If technical assistance is required, contact Huffy Sports.
- Serious injury could occur if teeth/face come in contact with backboard, net or rim.
- Minimum operational height should be 6'6" (2M) to the bottom of backboard.

### **REQUIRED TOOLS AND MATERIALS:**

- Step Ladder 8 ft. (2.4m)
- (Two) 1/2" Wrenches or (Two) Adjustable Wrenches

### **WARNING**

**FAILURE TO FOLLOW THESE WARNINGS MAY RESULT IN SERIOUS INJURY AND/OR PROPERTY DAMAGE.**

***Owner must ensure that all players know and follow these rules for safe operation of the unit.***

- See instruction manual for proper installation and maintenance.
- Use caution when performing dunk type activities on this unit.
- Do not hang from any part of unit, including backboard, support braces, rim or net.
- Check unit before each use for loose hardware, excessive wear and signs of corrosion and repair before using.
- During play, use extreme caution to keep player's face away from the backboard, rim or net. Serious injury could occur if teeth/face come in contact with backboard, rim or net.
- During play, do not wear jewelry (rings, watches, necklaces, etc.) Objects may entangle in net.

**HUFFY<sup>®</sup>SPORTS**

In the U.S.: 1-800-558-5234 and Canada Only: 1-800-284-8339  
In Australia: 1-800-632-792 206118 5/97

*Most injuries are caused by misuse and/or not following instructions. Use caution when using this unit.*

### **In U.S. and Canada only: IMPORTANT! Have questions...don't go back to the store!**

We appreciate your purchasing one of our many fine products. We are sure that you will be very satisfied with your selection. Although great care and effort have been taken, occasionally problems may occur. To ensure prompt and correct handling of any problems, or to answer any questions, please contact our Toll-Free Customer Service Number listed below. **Service will be quicker if you have your Model Number (found on carton) and assembly instructions ready when calling. PLEASE WRITE YOUR MODEL NUMBER IN THE SPACE PROVIDED ABOVE.**

Toll-Free Customer Service Number for U.S: **1-800-558-5234** and Canada Only: **1-800-284-8339**

Internet Address: <http://www.huffysports.com>

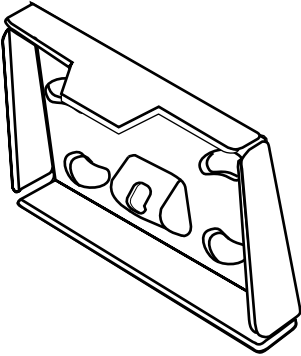


## Parts List

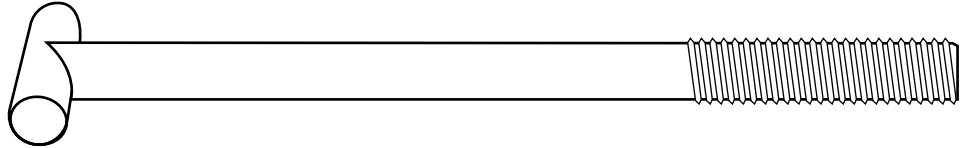
<i>Item</i>	<i>Qty.</i>	<i>Part No.</i>	<i>Description</i>	<i>Item</i>	<i>Qty.</i>	<i>Part No.</i>	<i>Description</i>
1	1	206118	Warning Label	9	4	201611	Hex Flange Bolt 5/16-18 x 2 Long
2	1	900033	Slam Jam Bracket, Black	10	4	203309	Washer, 1 O.D.
3	1	203796	Bolt, "Tee" 3/8 - NC x 5 Long	11	4*	203100	Hex Flange Nut, 5/16 x 18
4	1	200318	Bracket Reinforcement, Slam Jam	12	1		Rim
5	1	203472	Spring, Black	13	12	200120	Clips, Net Holder (Red)
6	1	203470	Washer, Flat 5/8 I.D. x 1-1/2 O.D.		12	200121	Clips, Net Holder (Black)
7	1	203795	Nut, Special 3/8-NC	14	1		Net
8	4	201611	Hex Flange Bolt 5/16-18 x 3 Long				

\* QUANTITY USED MAY VARY BY MOUNTING METHOD.

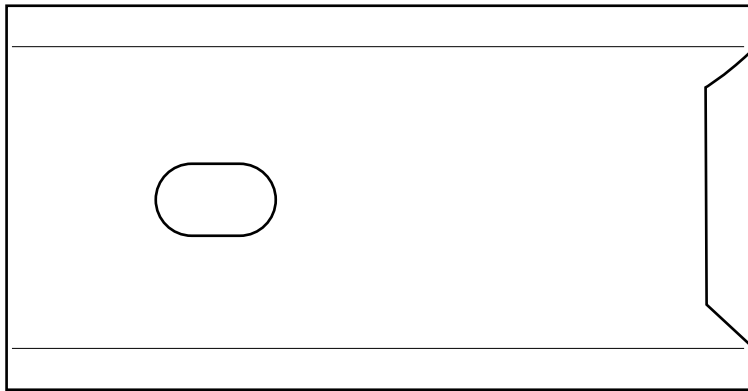
### HARDWARE IDENTIFIER



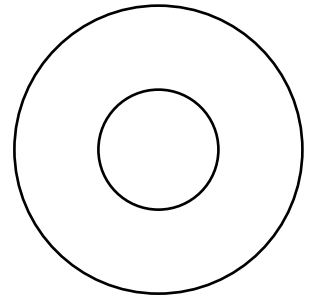
**Item #2 (1)**



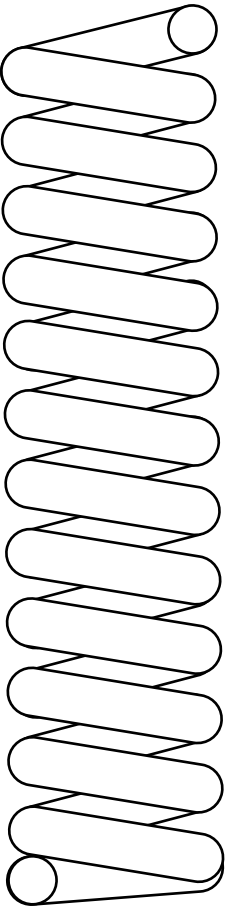
**Item #3 (1)**



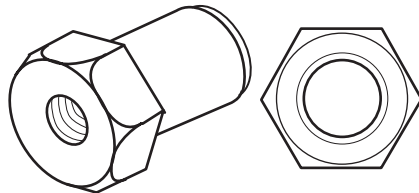
**Item #4 (1)**



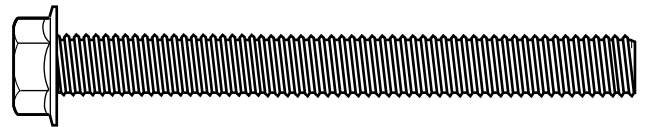
**Item #6 (1)**



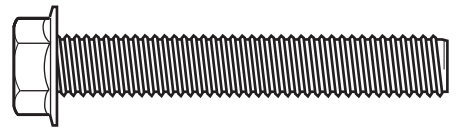
**Item #5 (1)**



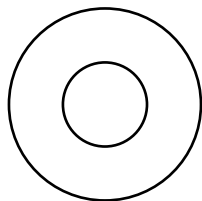
**Item #7 (1)**



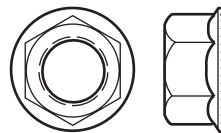
**Item #8 (4)**



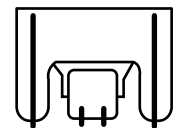
**Item #9 (4)**



**Item #10 (4)**

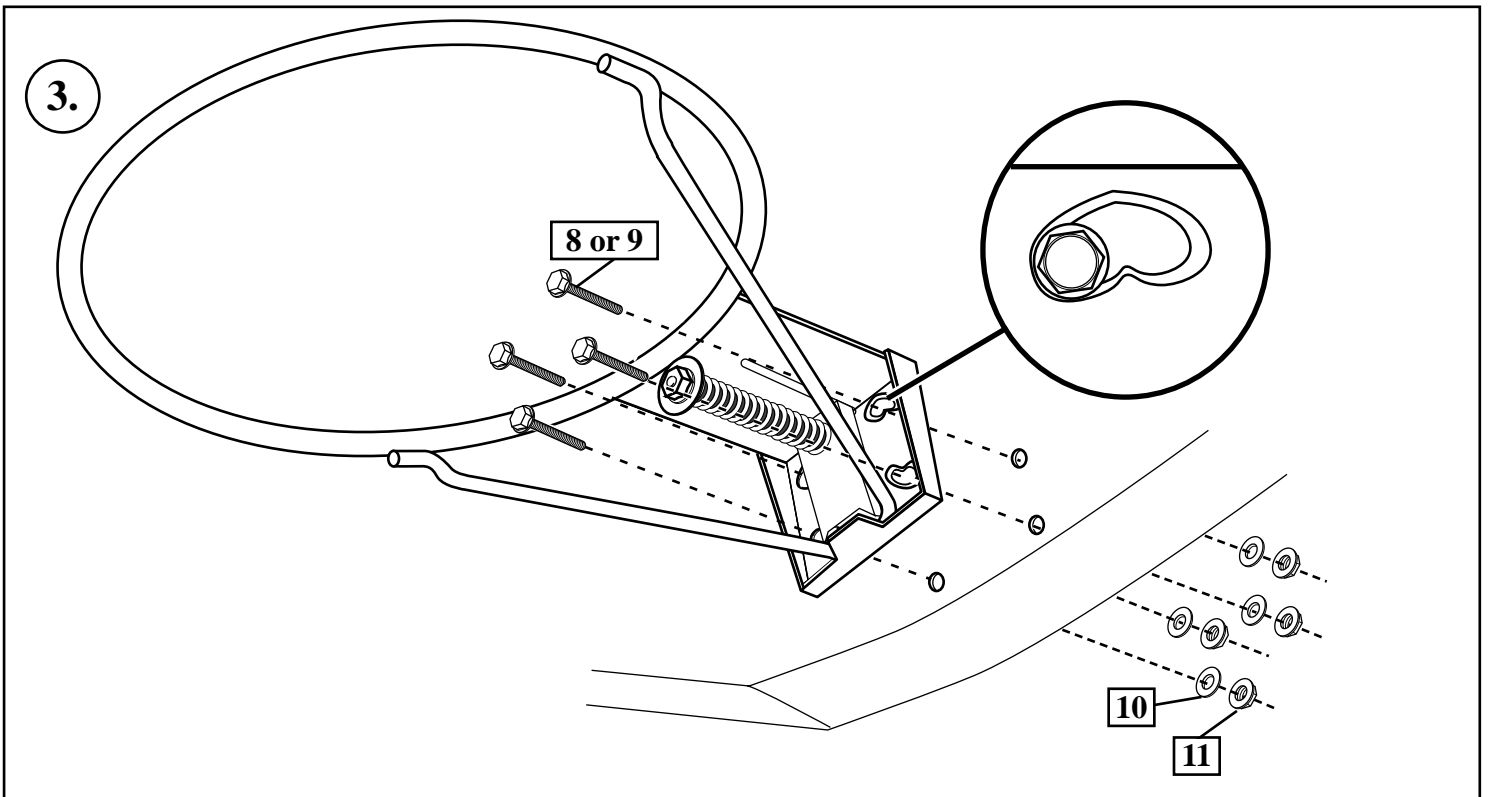
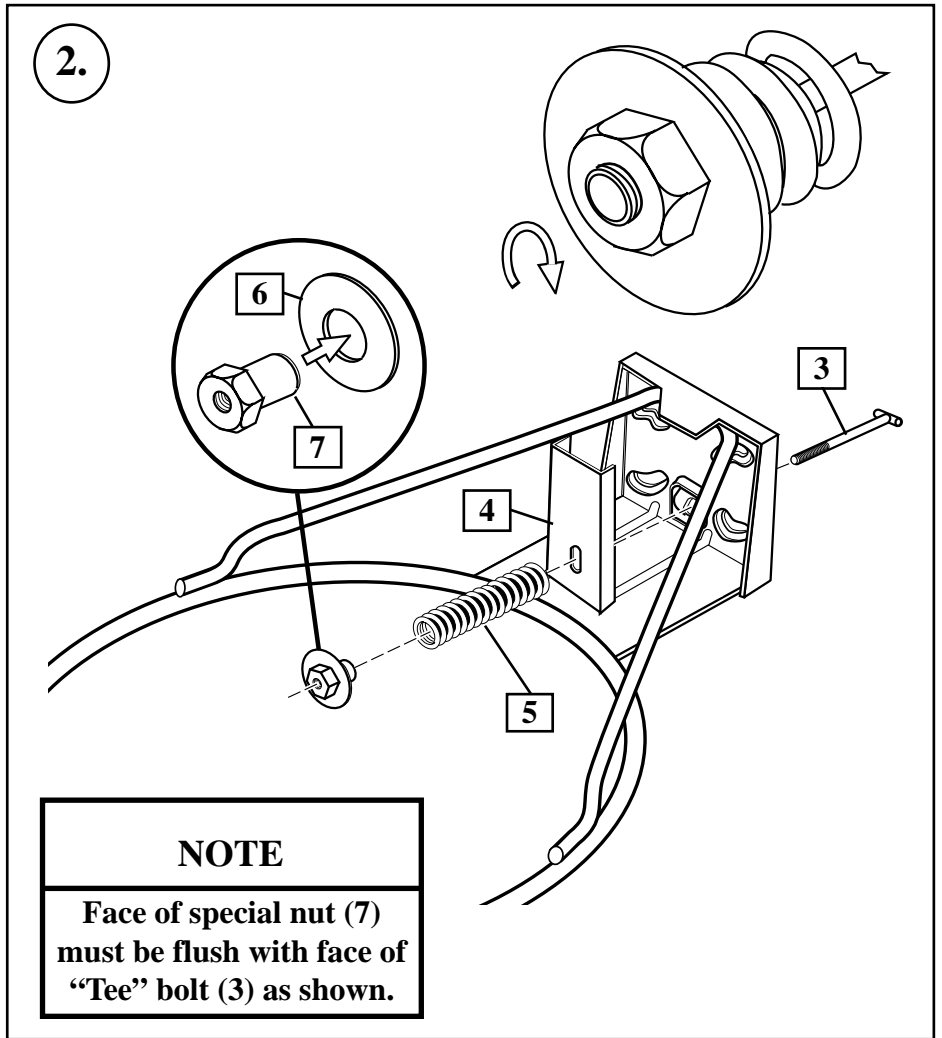
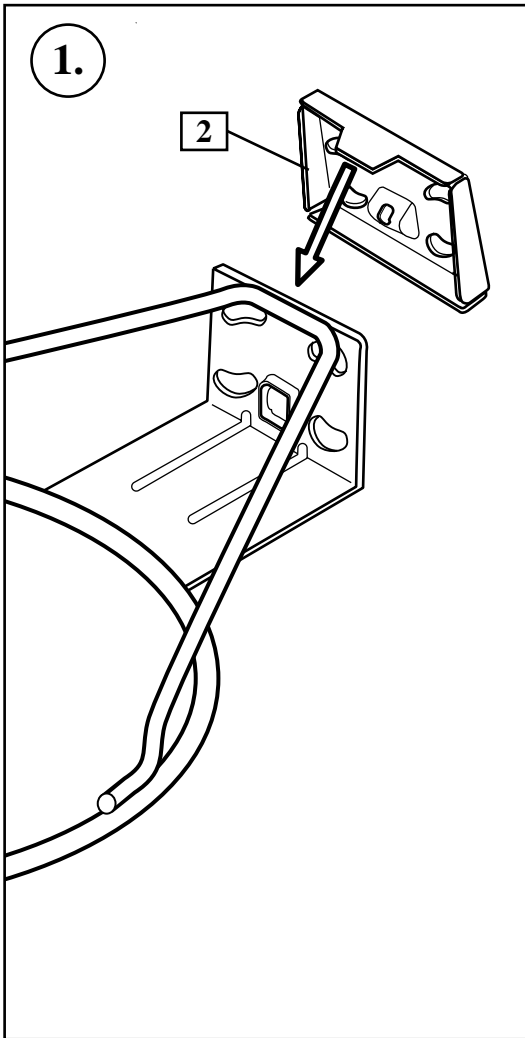


**Item #11 (4)**



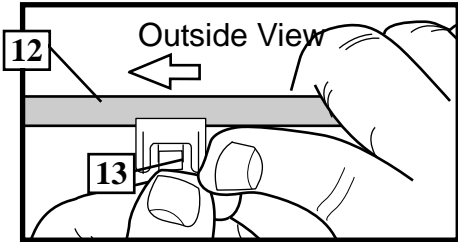
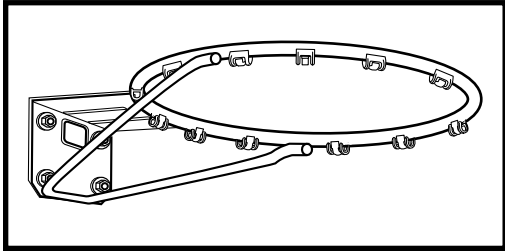
**Item #13 (12)**





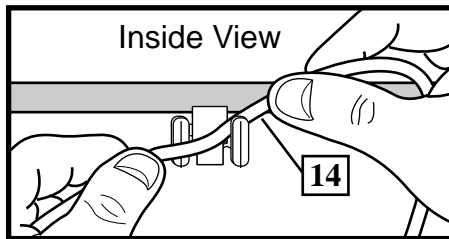
**4.** Install net clips (13) and net (14).

*The Quick Clip™ rapid release net system lets the net pull away from the rim. This reduces the risk of player injury or property damage. However, improper installation or a ball making contact at an odd angle may disengage the net clip from the goal rim. Usually, the clip is reinstalled with little or no problem. We hope that you agree this inconvenience is minor when compared to the safety of the players.*



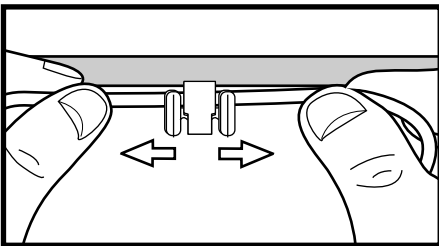
a. The two outer hooks on the clip must face towards inside of goal rim. Insert the larger hole in clip onto rim stud, then slide net clip to the left, locking or snapping securely into position.

**NOTE:** Clips should not slide with ease. It is very important that the net clips are in the locked position before going on to next step.



b. Install net, as shown.

**IMPORTANT!** MAKE SURE NET IS HELD BY ALL THREE HOOKS ON THE NET CLIP.



**NOTE:** Stretching net up then pulling side to side will help snap net under center hook.



**WARNING:** Use of this product without proper installation of net clips, or when all net clips are not present could result in bodily harm. Be sure to follow directions carefully.



## Free Manuals Download Website

<http://myh66.com>

<http://usermanuals.us>

<http://www.somanuals.com>

<http://www.4manuals.cc>

<http://www.manual-lib.com>

<http://www.404manual.com>

<http://www.luxmanual.com>

<http://aubethermostatmanual.com>

Golf course search by state

<http://golfingnear.com>

Email search by domain

<http://emailbydomain.com>

Auto manuals search

<http://auto.somanuals.com>

TV manuals search

<http://tv.somanuals.com>