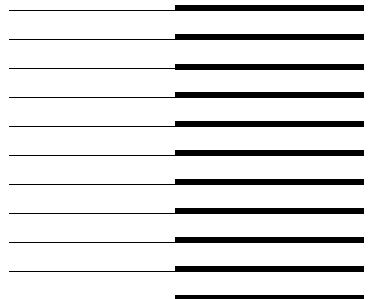


# Océ TDS400

*User Manual*





---

# Océ-Technologies B.V.

This manual contains a functional and task-oriented description of the Océ TDS400 multifunctional digital system release 1.4

---

## Trademarks

Products in this manual are referred to by their trade names. In most, if not all cases, these designations are claimed as trademarks or registered trademarks of their respective companies.

---

## Safety information

This manual contains the following safety information:

- Appendix B lists 'Instructions for safe use'. You are advised to read this information before you begin using the system. Appendix B includes technical safety information like safety data sheets.
- Where applicable, cautions and warnings are used throughout this manual to draw your attention to safety precautions to be taken.

---

## Internet

Check Océ on the internet at [www.oce.com](http://www.oce.com) for:

- the latest drivers
- the latest user manuals
- product development

---

## Copyright

© 2003 Océ-Technologies B.V. Venlo, The Netherlands

All rights reserved. No part of this work may be reproduced, copied, adapted, or transmitted in any form or by any means without written permission from Océ.

Océ-Technologies B.V. makes no representation or warranties with respect to the contents hereof and specifically disclaims any implied warranties of merchantability or fitness for any particular purpose.

Further, Océ-Technologies B.V. reserves the right to revise this publication and to make changes from time to time in the content hereof without obligation to notify any person of such revision or changes.

---

# Table of Contents

---

## Chapter 1

### Introduction

- About this manual 10
- The Océ TDS400 12
- The Océ TDS400 concept and components 13
  - The Océ TDS400printer 13
  - The Océ TDS400scanner 13
  - The Océ Power Logic® controller 14
  - Océ TDS400 options 15
- Océ TDS400 users 18
  - User interaction 19
- The data flow to the Océ TDS400 20

---

## Chapter 2

### Using the Océ TDS400 to Print

- Printer operator panel 24
  - Display 25
  - Menu level indicator 25
  - Keys 26
- How to turn on and turn off the Océ TDS400 printer 27
  - Cancel a print 28
- Menu structure 29
  - Media type and size on the printer 29
  - Manual feed 31
  - Cut media 32
- Print info 33
  - Print the configuration report 33
  - Print the menu card 33
  - Print the demo print 34
- Print with Océ Print Exec® Workgroup 35
  - Introduction 35
  - Options 35
  - Connect to Océ Print Exec® Workgroup 36
  - The documentation set 36
- Print with Océ Repro Desk 37
  - Introduction 37
  - The documentation set 37

Configuration	38
Select a language	38
Network settings	38
Paper series	41
Clear set memory	41
Diagnostic mode	41
Status messages	42
Error messages	44
Menu structure of the printer	46

---

## Chapter 3

### Using the Océ TDS400 to Copy

Scanner operator panel	48
The keys	49
The display	50
Menu level indicator	51
Copy jobs	52
Turn on and turn off the Océ TDS400 scanner	53
Start the copy process	54
Make copies	54
Number of copies	55
Select the use of roll 1 or roll 2 or manual feed	56
Select the input mode	57
To copy sets	57
Specify the zoom factor	58
The exposure settings	58
Deliver originals after scanning	60
Enable automatic feed of the original	60
Define settings for the next original	61
Copy on pre-cut sheets	61
Stop a copy job	64
Set synchro or standard cut	64
Adjust the leading or the trailing strip	65
Mirror-image copies	67
Release original	67
Stamping	68
Menu structure of the scanner	71

---

## Chapter 4

### Using the Océ TDS400 to Scan-to-file

Introduction	74
Make a scan	75

Settings to scan	77
Destinaspbtion	78
Checkprint	78
Resolution	78
File format	80
Optimisation	81
Menu structure Océ TDS400 Scanner	82
Océ Scan Manager	83
Tree view	84
Table view	84
Actions from the Océ Scan Manager	86
Destinations	86
Scanned files	90
Manage the temporary store	92
How to retrieve scanned files	93
Get files via FTP	93
Océ View Station LT	95
Menu options	96
Function buttons	97
View error	98

---

## Chapter 5

<b>Océ Power Logic®: The Settings Editor</b>	
Introduction	100
How to start up and shut down the controller	101
Océ Settings Editor	102
General structure	103
Menu bar	104
Top toolbar	104
Left toolbar	106
Settings area	106
Status bar	108
How to access the Océ Settings Editor	108
Start Océ Settings Editor	108
How to perform actions from the Océ Settings Editor	109
Key Operator settings	111
System Administrator settings	112

---

## Chapter 6

<b>Océ Power Logic®: System Control Panel</b>	
Introduction	116
Structure	116

Icons	118
User operations	119

---

## Chapter 7

### **Océ Power Logic®: Queue Manager**

Introduction	122
Structure	122
Modes	124
Icons	126
Managing print jobs	127

---

## Chapter 8

### **Océ Power Logic®: Remote Logic**

Introduction	130
Installation procedure for MS Windows® systems	131
Installation procedure for Unix systems	133
IBM AIX	134
HP-UX	134
Linux	134
Installation procedure for Other systems	135
Use Océ Remote Logic®	136
User modes	137
Log on	138
Log off	138
To change the password	139
Automatic logon	139
Language	140
Help	140
Command line parameters	140
How to use the remote system	143

---

## Chapter 9

### **Océ Account Center**

Introduction	146
Océ Account Logic	147
Introduction to Océ Account Logic	147
Océ Power Logic® controller setup	147
Océ Account Console	149
Introduction to Océ Account Console	149
Summary of Océ Account Console	149

---

## Chapter 10

### Printer Supplies and Maintenance

- Media 152
  - The paper rolls 152
  - Reload paper 153
  - How to program media settings 157
- How to refill toner 159
- Clean the glass platen and the reference roller of the scanner 162
- Maintenance of the reinforcement unit 164
  - Insert a new tape roll 164
  - Empty the waste box 171
  - Clean the reinforcement knives 172

---

## Chapter 11

### Troubleshooting

- Introduction 176
- Original jams in scanner 177
- Paper jams in the printer 179
  - Paper jam in the material feed section 179
  - Paper jam in the fuser section 180
- Paper jams in the folder 182
  - Paper jam in the first fold section 182
  - Paper jam in the folder transport section 183
  - Paper jam in the second fold section 184
  - Paper jam in the belt unit 187
- Problems with the reinforcement unit 189
  - Paper jam in the reinforcement unit 189
  - Tape jam in the reinforcement unit 190
  - No reinforcement strips on the output without an error message 192

---

## Chapter 12

### The folder

- Introduction 196
  - Océ TDS400 folder 196
  - The Océ TDS400 folder settings 197
  - Off-line folding 201
  - Reinforcement unit 202
  - Belt unit 203

---

## Appendix A

### Summary and Tables

- The Océ TDS400 206
- Printer operator panel 207
- Scanner operator panel 208
- Product specifications Océ TDS400 209
- List of available material types and sizes 214
  - Material types 214
  - Automatic format selection 216
  - Reinforcement strips 216
- Summary of standard zoom formats 218

---

## Appendix B

### Safety information

- Instructions for safe use 222
- Safety data sheets 224
  - Safety data sheet Océ TDS400 printer 225
  - Safety data sheet Océ TDS400 printer and scanner 226
- EPA Energy Star® 227

---

## Appendix C

### Miscellaneous

- How to read this manual 230
- User survey 231
- Addresses of local Océ organizations 233
- Index 235



---

# Chapter 1

## Introduction

*This chapter contains a general introduction to the Océ TDS400. This chapter describes the main features, options and software applications provided with the system.*



---

# About this manual

This manual contains the following chapters:

**Chapter 1: Introduction** Contains a general introduction to the Océ TDS400 system, a general description of the main features, delivery options and software applications provided with the system.

**Chapter 2: Using the Océ TDS400 to print** Contains a short description of how to use the printer.

**Chapter 3: Using the Océ TDS400 to copy** Contains a description of how to use the scanner to make copies.

**Chapter 4: Using the Océ TDS400 to scan** Describes how to scan the originals to a file.

**Chapter 5: Océ Power Logic®: The Settings Editor** Gives information about the Océ Settings Editor. For details about specific settings, refer to the Help on the Océ Settings Editor.

**Chapter 6: Océ Power Logic®: The System Control Panel** Describes how to look at the system status of the Océ TDS400.

**Chapter 7: Océ Power Logic®: The Queue Manager** Describes how to view and manage jobs in the Océ TDS400 print queue, inbox queue, and history queue. It shows how to cancel the active print and how to delete the prints, how to hold the print jobs in the queue, how to restart the jobs, and how to move jobs to top.

**Chapter 8: Océ Power Logic®: Remote Logic** describes the installation and the functionality of the Océ TDS400 remote controller applications.

**Chapter 9: Océ Account Center** contains a description of how to manage the account information of the print, copy and scan-to-file jobs with Océ Account Logic and Océ Account Console.

**Chapter 10: Printer supplies and scanner maintenance** Describes how to load paper and how to refill the toner, and how to provide maintenance to the scanner.

**Chapter 11: How to solve problems** Describes the problems that can occur when you use the Océ TDS400.

**Chapter 12: The folder** Describes the folder delivered as an optional with the Océ TDS400.

**Appendix A: Summary and tables** Contains the product specifications for the Océ TDS400, a list of available material types and sizes.

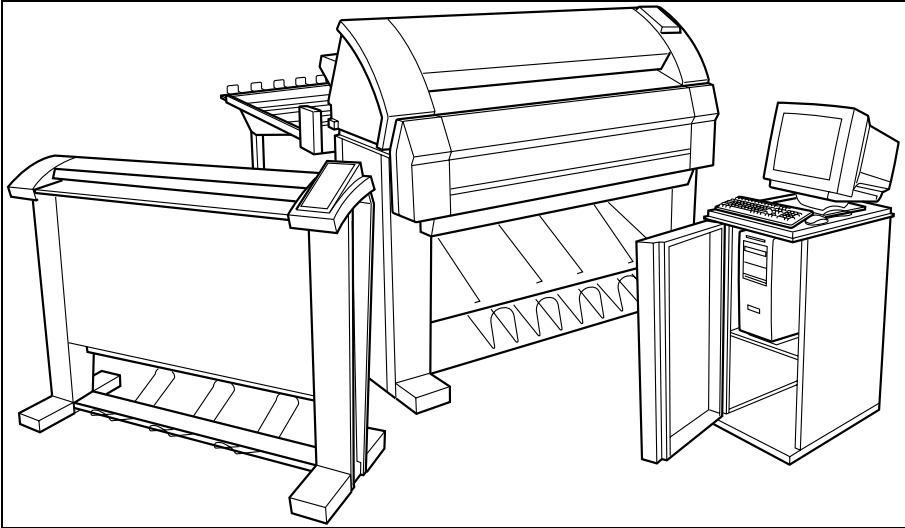
**Appendix B: Safety information** Contains the approved weight limits, instructions for safe use, the available safety data sheets and the correct ENERGY STAR<sup>®</sup> specifications.

**Appendix C: Miscellaneous** Contains the notation conventions, a reader's comment sheet and the addresses of local Océ organisations.

---

# The Océ TDS400

The Océ TDS400 is a wide format, black and white, multifunctional system. The Océ TDS400 offers a broad range of print, copy, and scan-to-file functionality. The system includes a printer (1 or 2 rolls) a controller and an optional scanner.



[1] Océ TDS400

---

# The Océ TDS400 concept and components

---

## The Océ TDS400printer

The Océ TDS400 printer is available with an automatic 1- or 2-roll unit and manual feed. Use manual feed when you want to print a job on a media type or size that is not available on one of the paper rolls.

**Note:** *The manual feed is a special slot just above the paper drawers on the printer. You can insert cut sheet material in this slot, one sheet at a time. Refer to 'Copy on pre-cut sheets' on page 61 on how to copy on pre-cut sheets.*

**Note:** *Only use material as specified in 'List of available material types and sizes' on page 214.*

The Océ TDS400 is a 600 DPI LED printer with a speed of 3 meters per minute.

You can perform a number of activities at the Océ TDS400 printer. You can set the media type and size, stop a print job or select your preferred language from the printer operator panel (see Chapter 2, 'Using the Océ TDS400 to Print' on page 23 for more details).

The Océ TDS400 is delivered with drivers and job submission software to enable you to print from AutoCAD®, Windows® or Macintosh® applications.

---

## The Océ TDS400scanner

The Océ TDS400 scanner supports a wide range of copy activities. It provides a large number of functions for defining original and copy related settings. You can specify particular media, feeding and quality enhancement options from the scanner operator panel. In combination with the Océ TDS400 printer it forms a powerful productivity tool.

The scanner scans your originals. You can print the originals (copy job) or you can store the scanned original in a file (Océ Scan Logic®). The scanner has different quality modes which are provided by Océ Image Logic®.

- Green key principle

The Océ TDS400 is easy to use. Press the green key on the scanner operator panel to start the basic copy jobs. If you have difficult copy jobs, you change the default copy settings with the help of the other settings on the scanner operator panel.

---

## The Océ Power Logic® controller

The Océ TDS400 is equipped with a controller to process the print jobs and the copy jobs. The controller can have Océ Remote Logic® to control your print jobs, make your default printer settings and monitor the printer status.

**The Océ Power Logic® controller** processes the print jobs and the copy jobs. It also processes the optional scan to file jobs.

- Set processing

When you send a file to the printer, the file is processed once and can be printed many times. The Océ TDS400 has a set memory to store a maximum of 135 A0s which allows you to create the same sets that are sorted either by page or by set.

- Spool memory

The Océ TDS400 has a spool memory which provides a queuing system for files you want to print. The spool memory allows many users to send the print jobs to the Océ TDS400 at the same time. The print jobs are put in the print queue where they wait to be printed. The job that is put first into the queue is printed first.

- Network connectivity

The Océ TDS400 controls a number of common network protocols. The Océ TDS400 can be used in many networks like TCP/IP and Novell®.

**Océ Settings Editor** The Océ Settings Editor allows you to set the default settings of the Océ TDS400 according to your companies requirements.

Refer to ‘Océ Power Logic®: The Settings Editor’ on page 99, for complete information about the Océ Settings Editor application.

**Océ System Control Panel** The Océ System Control Panel (SCP) application provides you with status information about the system.

Refer to ‘Océ Power Logic®: System Control Panel’ on page 115, for complete information about the Océ System Control Panel.

**Océ Queue Manager** The Océ Queue Manager (QM) application gives a graphical design of the print queue. You can manage jobs in the print queue, history queue, or inbox queue.

Refer to ‘Océ Power Logic®: Queue Manager’ on page 121, for complete information about the Océ Queue Manager.

**Océ Remote Logic®** enables you to:

- View system status (Océ System Control Panel).
  - Manage print jobs (Océ Queue Manager).
- Change settings (Océ Settings Editor).

---

## Océ TDS400 options

By default, the Océ TDS400 has an automatic 1 roll unit and is equipped with a receiving tray as the output delivery device. The receiving tray is the rack on the bottom of the printer (see figure 1 on page 12).

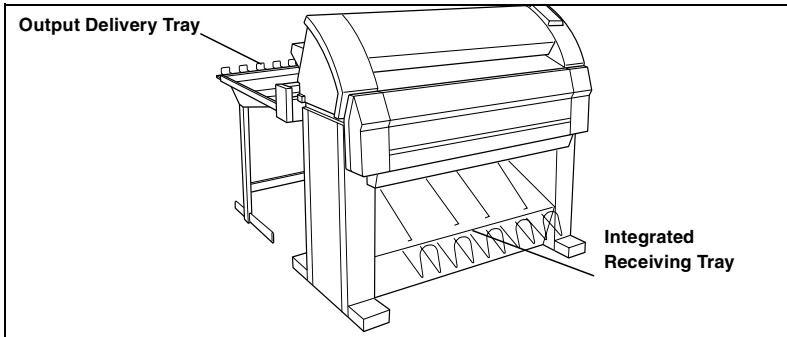
**Automatic 2-roll unit** The Océ TDS400 is available with an automatic 2-roll unit. Each of the rolls can be loaded with print material of a different size or type. The size and type of the available media are indicated on the operating panel.

**Compact Output Stacker** The optional compact output stacker offers a smart and efficient disposition of printed or copied drawings (up to 100 prints) on PPC material and some other materials.

**Output Delivery Tray** Collects output at the rear of printers as they are printed.

**Folder** folds the output and adds reinforcement strips with optional reinforcement unit.

**Note:** *you can only use the output delivery tray or the folder.*



[2] Output Delivery Tray and Integrated Receiving Tray

**Graphical User Interface** The Graphical User Interface (GUI) consists of a screen, a mouse, a keyboard and software. You use the screen, mouse and keyboard to interact with the graphical user interface of the controller. With the GUI you can perform Key Operator and System Administrator tasks in a graphical way. Settings are visible within one window so that it is much easier to view and change them.

**Océ Scan Logic®** Enables you to scan a document to file for later (re)use. You can use the files in other applications or print them out.

■ **Océ Scan Manager with Océ View Station LT**

The Océ Scan Manager is an application available only locally on the controller. With the Océ Scan Manager you can:

- configure the destinations for scan-to-file jobs
- increase your productivity with automatic file naming
- view the scans

Refer to 'Using the Océ TDS400 to Scan-to-file' on page 73 for complete information about the Scan Manager application.

**Adobe® PostScript® 3™/PDF** The Océ TDS400 fully supports Adobe® PostScript® 3™. For Japanese 5 extra fonts are optional. They can be enabled with a password in the Océ Settings Editor.

**Océ Print Exec® Workgroup** Optional software which allows you to create and send a set of prints or drawing files to an Océ TDS printer. You can send the settings for these jobs from your workstation, using your web browser. For detailed information see 'Print with Océ Print Exec® Workgroup' on page 35.



**Océ Repro Desk** Océ Repro Desk is a print management solution for the reprographer and their clients. See also ‘Print with Océ Repro Desk’ on page 37.

**Account logging** An optional feature that enables you to track how many jobs you make for a customer. This chapter describes how you use the accounting functionality for this purpose.

**Stamping** An optional feature that enables you to print a predefined text on all your copies (see ‘Stamping’ on page 68).

---

# Océ TDS400 users

The Océ TDS400 has the following user types:

**System administrator** The Océ TDS400 system administrator installs and makes the configuration for Océ TDS400. The system administrator defines the printer-language settings, pen settings and Automatic Language Sensing (ALS) settings. The system administrator can help the users who need to install the printer drivers on their workstations. See Chapter 10, 'Printer Supplies and Maintenance' on page 151 for complete information. The configuration information is in the Océ TDS400 Connectivity Manual provided with the Océ TDS400.

**Key operator** The Océ TDS400 key operator is responsible for the daily maintenance of the Océ TDS400. The key operator replenishes toner when necessary, loads media as needed and defines the default printer settings for recurring print jobs. Also, the key operator defines all time settings, such as panel time out and sleep mode time out. See 'Océ Account Center' on page 145 for more information.

**Repro operator** The repro operator is responsible for the daily operations on the Océ TDS400. The Repro Operator settings are a subset of the Key Operator settings. The Repro Operator has no rights to change settings in the Océ Settings Editor. In the Océ Queue Manager and the Océ System Control Panel the repro operator has the same user rights as the Key Operator and System Administrator.

**Anonymous user** Typically, an anonymous user on the Océ TDS400 can be either a PC user who has remote access to the system through one or more drivers (Windows® driver, AutoCAD® ADI/HDI or PostScript®) or the remote applications (Océ Queue Manager, Océ System Control Panel and Océ Settings Editor), or the print submission/print management applications, or a user performing a copy job at the scanner.

**Service operator** The Océ TDS400 service operator is responsible for installation and maintenance of the Océ TDS400.

---

## User interaction

You can operate the Océ TDS400 from different locations: local and remote:

- **Operator panels**

The Océ TDS400 has two operator panels to make the settings for the print jobs and the copy jobs. See ‘Printer operator panel’ on page 24 and ‘Scanner operator panel’ on page 48 for complete information.
- **Océ Remote Logic®**

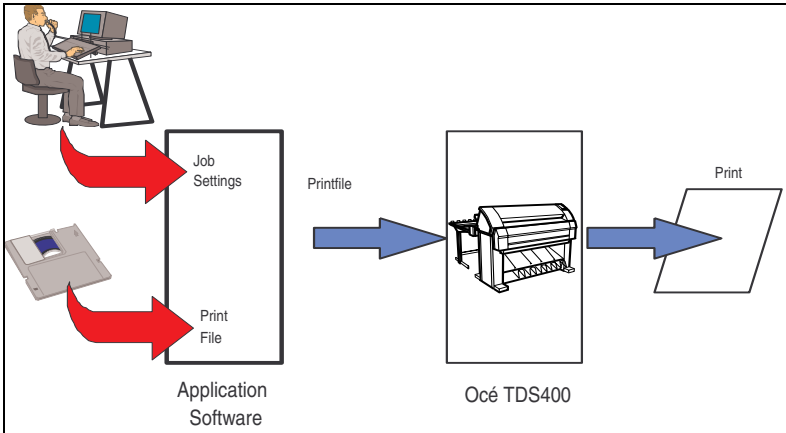
Use the Océ Remote Logic® to make the default key operator and system administrator settings (Océ Settings Editor). To see the status of the jobs in the print queue you use the Océ Queue Manager. The Océ System Control Panel shows the status of the complete system.
- **Océ Scan Logic®**

With Océ Scan Manager and Océ View Station LT you can define all important settings for scanning.
- **Printer drivers**

With the Océ TDS400 one or more printer drivers can be used, including Print Exec® Workgroup, Windows® driver, AutoCAD® ADI/HDI and PostScript®. With these drivers PC users can access the Océ TDS400 remotely, from their applications, to print their files. More information about installing, configuring and use of the drivers can be found in the documentation provided with the drivers. All Océ drivers (except Postscript) can be freely downloaded from the Web at [www.oce.com](http://www.oce.com).

# The data flow to the Océ TDS400

Connect the Océ TDS400 to a host environment, which can be a stand alone Workstation or a Workstation connected to a network. It accepts different standard format vector and raster data files from the host environment and converts these into high quality prints (see figure 3).



[3] Data flow to the Océ TDS400

When an Océ TDS400 receives vector, raster, Adobe® PostScript® or PDF (optional, Adobe® PostScript® 3™) data it will generate a print with the settings as specified in the Océ Settings Editor.

Each print job has remote control commands to indicate the settings for a job. This so called header contains the job and the file defined settings in Océ Job Ticket (OJT). The OJT settings overwrite the settings defined in the Océ Settings Editor. Except for pen settings and job management which have priority over the Océ Job Ticket settings.

To compose such a header, you can:

- Compose the header within your application. Please refer to the Océ Job Ticket (OJT) manual.
- Use an Windows® and/or AutoCAD® HDI driver to generate both a printable file (e.g. HP-RTL, HP-GL/2) and the appropriate header with RCF-commands. Please refer to the Windows® / AutoCAD® Driver documentation.



---

# Chapter 2

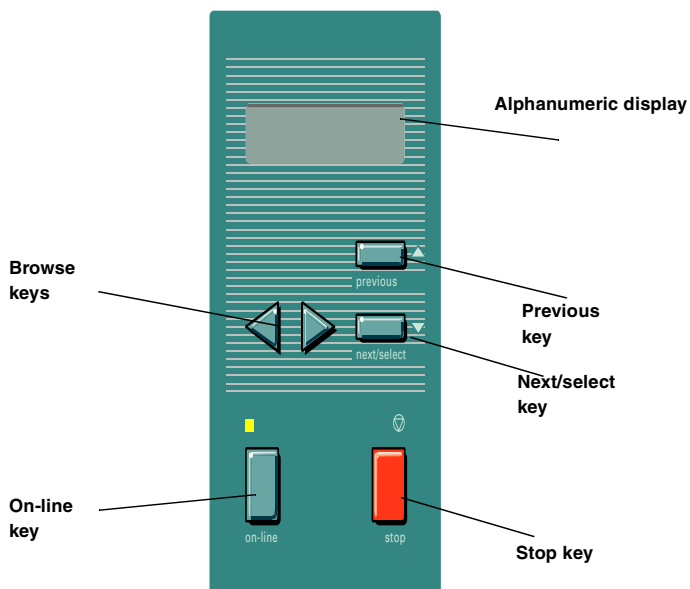
## Using the Océ TDS400 to Print

*This chapter explains how to print with the Océ TDS400.*



# Printer operator panel

The operator panel on the right hand side is easy to use (see Figure 4). The panel has keys and a display.



[4] Printer operator panel



---

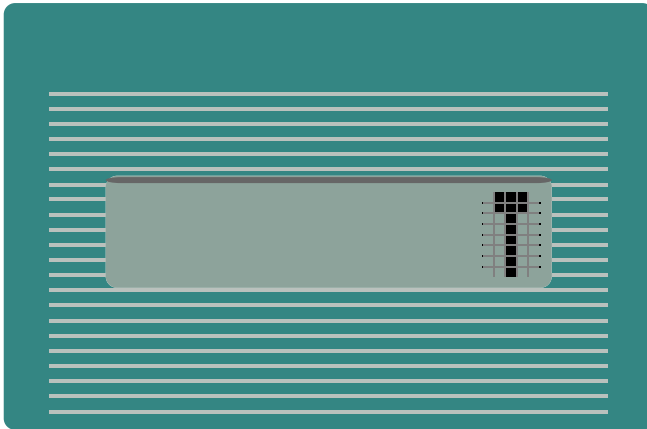
## Display

The display shows the feedback about print job status and error messages see page 42 and page 44 in normal mode. In off-line mode it shows the 'off-line' menu (see Figure on page 46).

---

## Menu level indicator

The menu level indicator indicates the current position in the menu. Press the Previous key to scroll through the menu.



[5] Menu level indicator in the top level of the menu

---

## Keys

With the keys on the operator panel you can make the settings for the Océ TDS400 Printer.

The following keys are available

<b>Available keys</b>	
<b>Key types</b>	<b>Function</b>
On-line key	Press the On-line key to put the printer on-line or off-line. To activate the program mode and to enter the top level menu. You can use the Next/select key, the Previous key and the Browse key to go through the menu. If the green light above the On-line key is on, the printer is on-line; if this light is off, the printer is off-line.
Next/select key	To select an option or a setting in the menu. Or in case a sub-menu is present, enter a menu on a lower level.
Previous key	Press this key to go one level higher in the menu.
Browse keys	These two keys are used to select another mode at the same level of the menu, or to display the next or previous option from the option list.
Stop key	The red Stop key is used to stop the current print job.

---

# How to turn on and turn off the Océ TDS400 printer

To turn on the system:

- turn on the printer.
- turn on the scanner (see page 53).
- turn on the controller(see page 28).

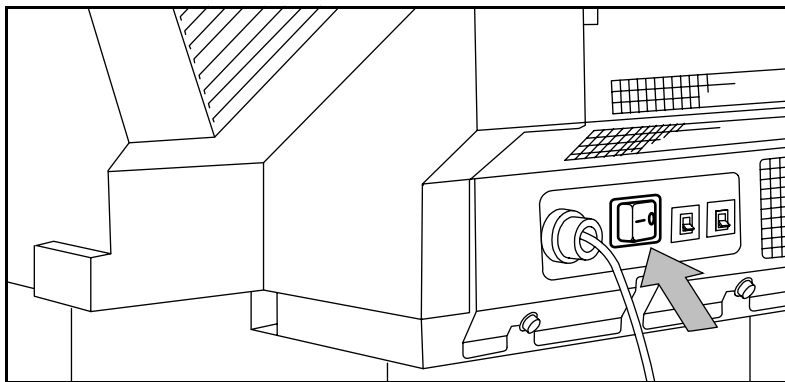
When you turn on the system, it is ready for operation. In this state, the machine is in the stand-by mode.

If the system is not in use for more than 1 minute, the operator panel returns automatically to the stand-by mode. The operator panel of the scanner is activated in the following conditions:

- you feed an original
- a key on the operator panel is pressed

## ▼ Turn on the printer

- 1 Set the ON/OFF switch at the rear of the printer to position '1' (see Figure 6). If the power supply is connected, the green switch lights.



[6] On/off switch of the printer

**Note:** When 'Ready' is displayed on the operator panel, the printer is ready for use.

▼ **Turn off the printer**

- 1 Set the ON/OFF switch at the rear of the printer to position '0' (see Figure 4).

**Attention:** *If you switch off the printer during a print job, it is possible that you lose information or that a paper jam occurs.*

▼ **Turn on the controller**

- 1 Press the key on the front of the controller.

▼ **Turn off the controller**

- 1 Select the 'Shut down' option from the Océ System Control Panel. You can do this through both the controller and through Océ Remote Logic®.
- 2 Switch off the controller and the monitor.

---

## Cancel a print

Cancel a print before you start the print or during the print.

▼ **Cancel a print**

- 1 Press the Stop key.  
The printer stops.  
When the printer runs, the paper is cut.  
The paper is always ejected.

---

# Menu structure

On the Océ TDS400 printer operator panel, you can do a number of actions. These actions include:

- Media settings (material and size).
- Print info (configuration report, menu card and demo print).
- Configuration (connectivity issues).
- System (clear set memory and diagnostic mode).

---

## Media type and size on the printer

One of the features of the Océ TDS400 printer is the automatic media change function. This function allows the printer to take another roll of the same format and copy material when the roll becomes empty when you print. You must configure this setting in the Océ Settings Editor (see ‘Océ Power Logic®: The Settings Editor’ on page 99).

If you activate this function the machine automatically switches to the other roll, if the used one becomes empty. The switch only occurs if the kind of media and the width of the material is the same for both rolls.

**Note:** *The Océ TDS400 Printer can not identify the copy material type and format. Fill the media and indicate the type and the size as described in Chapter, ‘Media’ on page 152.*

See ‘List of available material types and sizes’ on page 214 for a summary of all materials for the use with the Océ TDS400 Printer.

If you insert a new roll with another material or with a different width, you have to program the new roll specifications. Refer to ‘List of available material types and sizes’ on page 214.

**Note:** *The machines switches automatically to the other roll if the used roll becomes empty, if you activate this function in the Océ Settings Editor.*

▼ **Set the media width settings**

- 1 Press the On-line key to put the printer off-line.
- 2 Select the 'Media settings' item with the ◀ or ▶ key.
- 3 Press Next/select to enter the 'Media settings' menu.
- 4 Select 'Roll 1' or 'Roll 2' with the ◀ or ▶ key.
- 5 Press Next/select to enter the 'Roll' or 'Manual feed' menu.
- 6 Select the 'Width' item with the ◀ or ▶ key.
- 7 Press Next/select to enter the 'Width' menu.
- 8 Select the desired width with the ◀ or ▶ key.
- 9 Press Next/select to confirm the selected width.
- 10 Press On-line to put the printer on-line again.

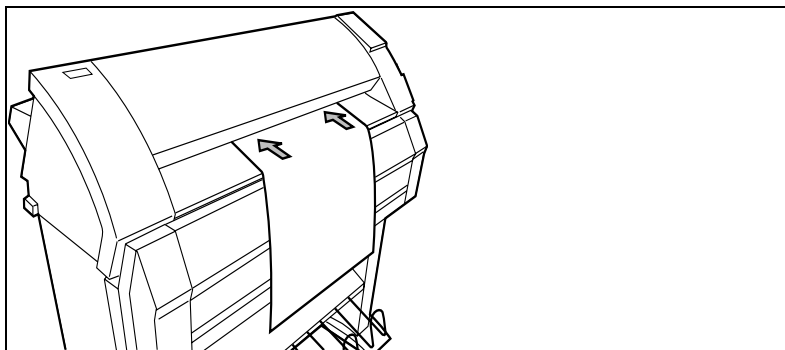
▼ **Set the media type settings**

- 1 Press the On-line key to put the printer off-line.
- 2 Select the 'Media settings' item with the ◀ or ▶ key.
- 3 Press Next/select to enter the 'Media settings' menu.
- 4 Select 'Roll 1', 'Roll 2', 'Manual feed' with the ◀ or ▶ key.
- 5 Press Next/select to enter the 'Roll' or 'Manual feed' menu.
- 6 Select the 'Material' item with the ◀ or ▶ key.
- 7 Press Next/select to enter the 'Material' menu.
- 8 Select the desired media material with the ◀ or ▶ key.
- 9 Press Next/select to confirm the selected media material.
- 10 Press On-line to put the printer on-line again.

## Manual feed

There are two possibilities to select manual feed:

- via remote control commands added to the print file (by means of Plot Director or drivers).
- choose 'manual feed' on the scanner operator panel.



[7] Manual feed

If you want to use manual feed, you must:

- 1 program the media settings (material and feed time out) on the printer
- 2 send the file
- 3 feed the sheet of material
- 4 hold the material until the printer pulls in the first part of the material.

If you select manual feed, the printer will inform you to feed the sheet into the printer. There is a time out between 1 and 10 minutes. Default is 1 minute.

### ▼ **Set the time-out for manual feed**

Default is 1 minute.

- 1 Press On-line to put the printer off-line.
- 2 Select the 'Media settings' item with the ◀ or ▶ key.
- 3 Press Next/select to enter the 'Media settings' menu.
- 4 Select 'Manual feed' with the ◀ or ▶ key.
- 5 Press Next/select to enter the 'Manual feed' menu.
- 6 Select the 'Time out' with the ◀ or ▶ key.
- 7 Press Next/select to enter the 'Time out' menu.
- 8 Select the desired time out with the ◀ or ▶ key.
- 9 Press Next/select to confirm the selected time-out.
- 10 Press On-line to put the printer on-line again.

---

## Cut media

If the material does not have a straight leading strip, you can cut the material at right angles from the roll.

▼ **Cut the material from roll 1 or roll 2**

- 1 Open the drawer.
- 2 Feed the paper manually until it is 5 cm above the top drawer.
- 3 Press the On-line key to put the printer off-line.
- 4 Close the paper drawer.
- 5 Select the 'Media settings' item with the ◀ or ▶ key.
- 6 Press Next/select to enter the 'Media settings' menu.
- 7 Select 'Cut media' with the ◀ or ▶ key.
- 8 Press Next/select to cut the paper.
- 9 Open the paper drawer.
- 10 Remove the scrap of material.
- 11 Feed the material until you can see the material and put the material into position (see Figure 61 on page 155) and (see Figure 65 on page 157).
- 12 Close the drawer.
- 13 Press the On-line key to put the printer on-line again.



---

# Print info

You have the possibility to print:

- the configuration report
- the menu card
- a demo plot

---

## Print the configuration report

The configuration report shows the configuration and the settings of the system.

### ▼ **How to print the configuration report**

- 1 Press the On-line key to put the printer off-line.
- 2 Select the 'Print info' item with the ◀ or ▶ key.
- 3 Press Next/select to enter the 'Print info' menu.
- 4 Select the 'Configuration' item with the ◀ or ▶ key.
- 5 Press Next/select to print the configuration report.
- 6 Press On-line to put the printer on-line again to print the report.

---

## Print the menu card

You can print the menu of the printer, to guide you through the menu.

### ▼ **How to print the menu card**

- 1 Press the On-line key to put the printer off-line.
- 2 Select the 'Print info' item with the ◀ or ▶ key.
- 3 Press Next/select to enter the 'Print info' menu.
- 4 Select the 'Menu card' item with the ◀ or ▶ key.
- 5 Press Next/select to print the menu chart.
- 6 Press On-line to put the printer on-line again to print the menu card.

---

## Print the demo print

After the installation of the Océ TDS400, you can print the demo print, to check the printer and the controller.

### ▼ **Make a demo print**

- 1 Press the On-line key to put the printer off-line.
- 2 Select the 'Print info' item with the ◀ or ▶ key.
- 3 Press Next/select to enter the 'Print info' menu.
- 4 Select the 'Demo print' item with the ◀ or ▶ key.
- 5 Press Next/select to print the demo print.
- 6 Press On-line to put the printer on-line again to print the demo print.

---

# Print with Océ Print Exec® Workgroup

---

## Introduction

Océ Print Exec® Workgroup is an optional print job submission application which allows you to send print jobs to the Océ TDS400 through your web browser. Enable Océ Print Exec® Workgroup with a password in the Océ Settings Editor. Océ Print Exec® Workgroup allows you to do the following.

- 1 Select and collect the files to print (documents and drawings), in a print job.
- 2 Configure the print job.
- 3 Preview the files to print.
- 4 Submit the print job.
- 5 Check the print job and the printer configuration status.

---

## Options

Océ Print Exec® Workgroup has the following options.

- View status information about the printer configuration and available media.
- View status information of submitted print jobs in the historic queue.
- Set the document or drawing settings.
- Set the job settings for a print job.
- Add a settings configuration for a print job.
- Add a maximum of 100 documents or drawings to a print job.
- Add documents or drawings from the Océ Doc Exec® archive.
- Add a stamp to the document or drawing.
- Add a banner to the print job.
- Preview the document or drawing before you print.
- Save and retrieve print jobs.
- Submit print jobs to printer queue or inbox queue.
- Manage serveral print jobs.

---

## Connect to Océ Print Exec® Workgroup

### **Requirements for the browser software and network. ■**

- Microsoft® Internet Explorer® 5.0 or higher versions, or
- Netscape Navigator® 6.0 or higher versions.
- TCP/IP network which connects the printer and the end user workstation.

### **▼ How to connect to Océ Print Exec® Workgroup**

- 1 Enable Océ Print Exec® Workgroup in the Océ settings editor.
  
- 2 Enter the following link URL in you browser: <http://printer name>.  
When you enter the URL for the first time, the required software is installed automatically at your workstation.

---

## The documentation set

The complete documentation set of Océ Print Exec® Workgroup includes the following.

- The Océ Print Exec® Workgroup user manual
- On-line help files in the Océ Print Exec® Workgroup application.

---

# Print with Océ Repro Desk

---

## Introduction

Océ Repro Desk is the preferred print management solution for reprographers. Océ Repro Desk consists of the following two parts.

- Océ Repro Desk Remote software which facilitates the electronic submission of drawing files and print request from the clients to their reprographers.
- Océ Repro Desk Server which provides the reprographers with extensive print management and accounting functions to maximise the productivity of their print equipment assets.

---

## The documentation set

The complete documentation set of Océ Repro Desk includes the following.

- The Océ Repro Desk user manual
- The on-line help files in the Océ Repro Desk applications.

---

# Configuration

---

## Select a language

On the operator panel of the Océ TDS400 Printer you can indicate which language you use to display the printer information, like status and error messages.

▼ **Select a language**

- 1 Press the On-line key to put the printer off-line.
- 2 Select the 'Configuration' item with the ◀ or ▶ key.
- 3 Press Next/select to enter the 'Configuration' menu.
- 4 Select 'Language' with the ◀ or ▶ key.
- 5 Press Next/select to enter the 'Language' menu.
- 6 Select the desired language with the ◀ or ▶ key.
- 7 Press Next/select to confirm the selected language.
- 8 Press On-line to put the printer on-line again.
- 9 Turn the printer 'off' and 'on' again.

---

## Network settings

The Océ TDS400 has 2 network adapters. To set the network settings you must enter the network data in 4 fields.

- Use DHCP server. The Dynamic Host Configuration Protocol (DHCP) is a protocol to automate the assignment of Internet Protocol (IP) addresses in a network. Without DHCP, the IP address must be entered manually.
- IP address. An IP address has two parts: one part identifies the network (with the network number) and the other part identifies the specific machine or host within the network (with the host number).
- Subnetmask. A subnet (short for 'subnet work') is an identifiably separate part of an organization's network. To manage routing that could and should be handled within an organization.
- Set default gateway A gateway is a network point that acts as an entrance to another network.

Press the following key sequence to enter the System menu on the printer to set the network settings.

▼ **Enter the System menu**

- 1 Press arrow left ( ◀ ).
- 2 Press the Stop key.
- 3 Press arrow right ( ▶ ).
- 4 Press the Stop key.
- 5 Press arrow left ( ◀ ).
- 6 You can now enter the System menu.

▼ **Set use DHCP server**

- 1 Press the On-line key to put the printer off-line.
- 2 Select the 'System' item with the ◀ or ▶ key.
- 3 Press Next/select to enter the 'System' menu.
- 4 Select 'Network sett.' with the ◀ or ▶ key.
- 5 Enter password.
- 6 Press Next/select to enter the 'Network sett.' menu.
- 7 Select 'adapter 1' or 'adapter 2' with the ◀ or ▶ key
- 8 Press Next/select to enter the 'adapter 1' or 'adapter 2' menu
- 9 Select 'Use DHCP server.' with the ◀ or ▶ key.
- 10 Select 'Yes' or 'No' with the ◀ or ▶ key.
- 11 Press Next/select to confirm.
- 12 Press On-line to put the printer on-line again.

▼ **Set the IP address**

- 1 Press the On-line key to put the printer off-line.
- 2 Select the 'System' item with the ◀ or ▶ key.
- 3 Press Next/select to enter the 'System' menu.
- 4 Enter password.
- 5 Select 'Network sett.' with the ◀ or ▶ key.
- 6 Press Next/select to enter the 'Network sett.' menu.
- 7 Select 'adapter 1' or 'adapter 2' with the ◀ or ▶ key
- 8 Press Next/select to enter the 'adapter 1' or 'adapter 2' menu
- 9 Select 'IP address' with the ◀ or ▶ key  
The first three digits flash.
- 10 Enter the first three numbers of the 'IP address' with the ◀ or ▶ key.
- 11 Press Next/select to confirm, the next digits flash.
- 12 Enter the next three numbers of the 'IP address' with the ◀ or ▶ key.
- 13 Press Next/select to confirm, the next digits flash.
- 14 Enter the next numbers of the 'IP address' with the ◀ or ▶ key.
- 15 Press Next/select to confirm, the next digits flash.
- 16 Enter the next numbers of the 'IP address' with the ◀ or ▶ key.
- 17 Press Next/select to confirm.
- 18 Press On-line to put the printer on-line again.

▼ **Set the Subnetmask**

- 1 Press the On-line key to put the printer off-line.
- 2 Select the 'System' item with the ◀ or ▶ key.
- 3 Press Next/select to enter the 'System' menu.
- 4 Enter password.
- 5 Select 'Network sett.' with the ◀ or ▶ key.
- 6 Press Next/select to enter the 'Network sett.' menu.
- 7 Select 'adapter 1' or 'adapter 2' with the ◀ or ▶ key
- 8 Press Next/select to enter the 'adapter 1' or 'adapter 2' menu
- 9 Select 'Subnetmask' with the ◀ or ▶ key  
The first three digits flash.
- 10 Enter the first three numbers of the 'Subnetmask' with the ◀ or ▶ key.
- 11 Press Next/select to confirm, the next digits flash.
- 12 Enter the next three numbers of the 'Subnetmask' with the ◀ or ▶ key.
- 13 Press Next/select to confirm, the next digits flash.
- 14 Enter the next numbers of the 'Subnetmask' with the ◀ or ▶ key.
- 15 Press Next/select to confirm, the next digits flash.
- 16 Enter the next numbers of the 'Subnetmask' with the ◀ or ▶ key.
- 17 Press Next/select to confirm.
- 18 Press On-line to put the printer on-line again.

▼ **To set the Default gateway**

- 1 Press the On-line key to put the printer off-line.
- 2 Select the 'System' item with the ◀ or ▶ key.
- 3 Press Next/select to enter the 'System' menu.
- 4 Enter password.
- 5 Select 'Network sett.' with the ◀ or ▶ key.
- 6 Press Next/select to enter the 'Network sett.' menu.
- 7 Select 'adapter 1' or 'adapter 2' with the ◀ or ▶ key
- 8 Press Next/select to enter the 'adapter 1' or 'adapter 2' menu
- 9 Select 'Default gateway' with the ◀ or ▶ key  
The first three digits flash.
- 10 Enter the first three numbers of the 'Default gateway' with the ◀ or ▶ key.
- 11 Press Next/select to confirm, the next digits flash.
- 12 Enter the next three numbers of the 'Default gateway' with the ◀ or ▶ key.
- 13 Press Next/select to confirm, the next digits flash.
- 14 Enter the next numbers of the 'Default gateway' with the ◀ or ▶ key.
- 15 Press Next/select to confirm, the next digits flash.
- 16 Enter the next numbers of the 'Default gateway' with the ◀ or ▶ key.
- 17 Press Next/select to confirm.
- 18 Press On-line to put the printer on-line again.



---

## Paper series

You must enter the paper series that you use in the printer. Choose between:

- DIN
- DIN CARTO
- Only 8.5 inch
- Mix 8.5/9 inch

### ▼ **To set a paper series**

- 1 Press the On-line key to put the printer off-line.
- 2 Select the 'Configuration' item with the ◀ or ▶ key.
- 3 Press Next/select to enter the 'Configuration' menu.
- 4 Select 'Paper series' with the ◀ or ▶ key.
- 5 Press Next/select to enter the 'Paper series' menu.
- 6 Select the required paper series with the ◀ or ▶ key.
- 7 Press Next/select to confirm.
- 8 Press On-line to put the printer on-line again.

---

## Clear set memory

The set memory indicates the available memory. If an error occurs, for example the set memory reaches its limits, you must clear the set memory.

### ▼ **Clear set memory**

- 1 Press the On-line key to put the printer off-line.
- 2 Select the 'System' item with the ◀ or ▶ key.
- 3 Press Next/select to enter the 'System' menu.
- 4 Enter the password to get access.
- 5 Select the 'Clear setmem' item with the ◀ or ▶ key.
- 6 Press Next/select to enter the 'Clear setmem' menu.
- 7 Select 'Yes' or 'No' with the ◀ or ▶ key.
- 8 Press Next/select to confirm the setting.
- 9 Press On-line to put the printer on-line again.
- 10 Turn 'off' and 'on' the controller.

---

## Diagnostic mode

The Diagnostic mode is only meant for the Océ service technician.

## Status messages

<b>Status Messages</b>	
Status messages	Explanation
Off-line	The printer is off-line. Change options.
Reset printer	Turn the printer off and turn the printer on.
Connecting.....	There is no communication between the controller and the printer. Wait until there is communication.
Printer asleep	The printer is in low power mode. The energy is saved.
Please wait	The printer downloads the language. Wait until the printer is prepared to operate.
Printer ready	The printer is prepared to print.
Preparing job	The printer prepares a print or copy job.
Printing	The printer prints.
Load roll 1 A2 Paper	The printer detects that the required media is not available on roll 1. Fill roll 1 with the indicated media.
Load roll 2 A2 Paper	The printer detects that the required media is not available on roll 2. Fill roll 2 with the indicated media.
Manual feed A2 Paper	The printer detects that the required media is not available in the manual feed. Put the required media in the manual feed.
Open left cover Refill toner Press <on-line>	The toner container is empty. Refill the toner container.
Conditioning	The machine improves the print quality by optimising the toner concentration. Wait until the toner concentration is at the correct level.
Printer ready Roll 1 empty	The paper roll 1 is empty. Reload roll 1.
Printer ready Roll 2 empty	The paper roll 2 is empty. Reload roll 2.
Printer running Roll 1 empty	The paper roll 1 is empty. Reload roll 1 after the printers stops printing.
Printer running Roll 2 empty	The paper roll 2 is empty. Reload roll 2 after the printers stops printing.
Job canceled	The current print or copy job is canceled
Close roll unit	The roll unit is open. Close the roll unit.

<b>Status Messages (continued)</b>	
Status messages	Explanation
Sensor not free Remove paper Press <on-line>	The paper of one of the rolls is transferred after the marker (see 'Feed the material' on page 155) when power is applied to the printer. Take the paper back. Press <on-line>
Paper retracted Press <on-line>	Put the paper into the manual feed. Press <on-line>
Copy too short Remove paper Press <on-line>	The length of the print material is less than 420 mm. This can occur with the manual feed. Use an original longer than 420 mm.
Inputflap open Close inputflap	The input flap is open. Close the input flap.
Inputflap open Remove paper Press <on-line>	The input flap is open during the print process Remove the paper and press <on-line>.
Roll 1 empty Open roll unit	The paper on roll 1 is empty. Open the roll unit and replace it.
Roll 2 empty Open roll unit	The paper on roll 2 is empty. Open the roll unit and replace it.
Wait for folder	The communication between the printer and the folder starts up.
Folder is off	The communication between the printer and the folder was not established.
Folder belt full	The belt of the folder is full. Empty the belt of the folder.
RU tape empty	The tape roll of the reinforcement unit is empty. Open the reinforcement unit and replace the empty tape roll.

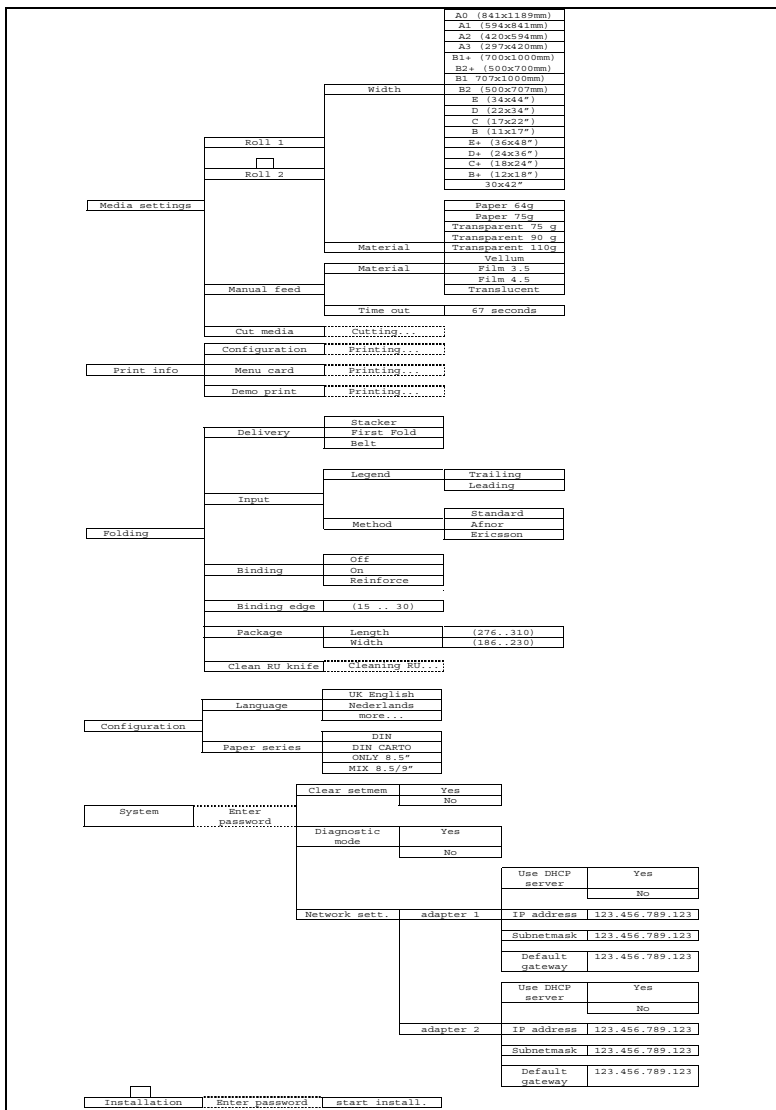
## Error messages

<b>Error messages</b>	
Error messages	Explanation
Copy too late Remove paper Press <on-line>	The copy is too late at the paperpath output sensor Remove the print material.
Speed failure Remove paper Press <on-line>	A paper jam occurred. Remove the paper jam and press <on-line>
Knife 1 error Remove paper Press <on-line>	An error occurred during the cut of the roll. Check the paper in the roll unit and remove if necessary. Press <on-line>.
Knife 2 error Remove paper Press <on-line>	An error occurred during the cut of the roll. Check the paper in the roll unit and remove if necessary. Press <on-line>.
Roll retract err Press <on-line>	Print material error when the roll unit takes back the material.
Roll init error Open roll unit Press <on-line>	A sensor of the roll unit is activated when power is applied to the printer. Open the roll unit. Guide the paper to the marker (see 'Feed the material' on page 155. Press <on-line>
Input too late Open roll unit Press <on-line>	The input sheet is too late. Open the roll unit If necessary, withdraw roll and rewind Press <on-line>
Deposit error Press <on-line>	An error in the compact output stacker occurred. The compact output stacker stops. The print process continues. Press <on-line>.
Illegal language on controller using UK English Press <on-line>	The controller has an illegal language. The controller uses the English language instead of the selected language. Call service. Press <on-line>
Close roll unit Rewind paper Press <on-line>	While you printed, the roll unit opened. Rewind the paper. Close the roll unit. Press <on-line>

<b>Error messages (continued)</b>	
<b>Error messages</b>	<b>Explanation</b>
<b>Error 1st fold</b>	A paper jam occurred in the first fold section of the folder. Clear the paper jam. Press <on-line>
<b>Error in folder</b>	A tape jam occurred in the reinforcement unit or a paper jam occurred in the folder. A paper jam can occur in the transport section of the folder or in the reinforcement unit of the folder. Clear the tape jam or clear the paper jam. Press <on-line>
<b>Error 2nd fold</b>	A paper jam occurred in the second fold section of the folder. Clear the paper jam. Press <on-line>
<b>Wrong format</b>	The folder detected a paper format other than specified at the printer operator panel. Correct the format the printer operator panel. Press <on-line>

# Menu structure of the printer

When you browse through the tree, the left items are displayed on top. The upper items are displayed first.



---

# Chapter 3

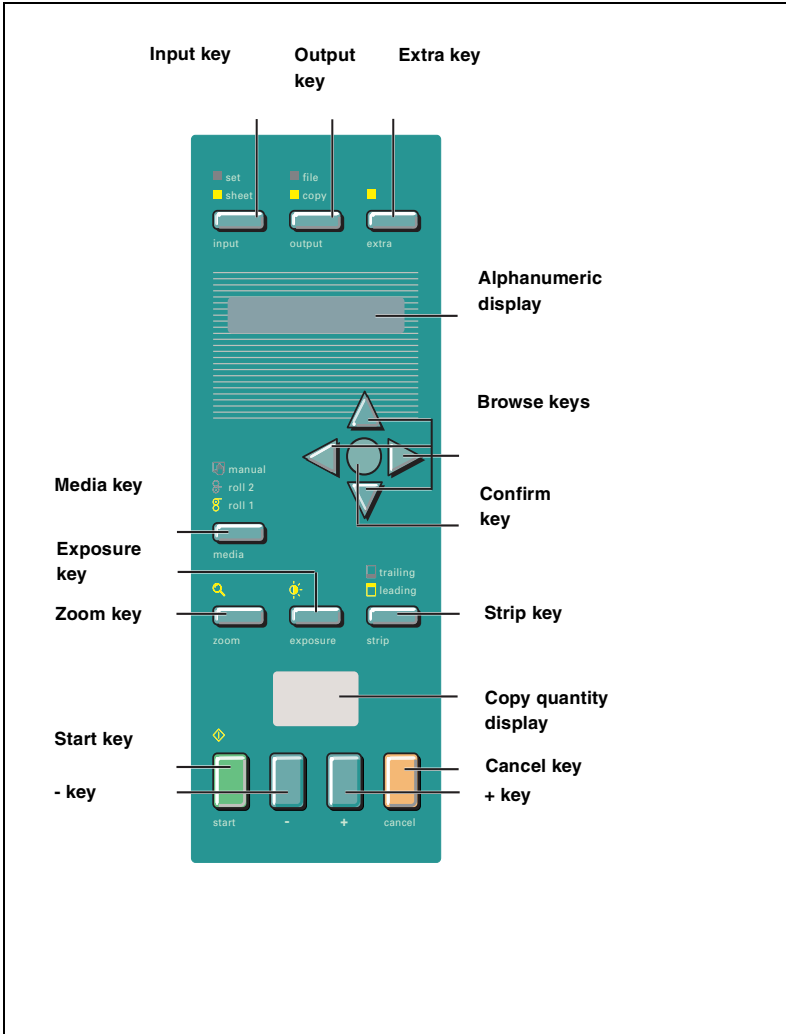
## Using the Océ TDS400 to Copy

*This chapter contains a description how to copy with the Océ TDS400.*



# Scanner operator panel

Define the settings with the scanner operator panel. The display gives you the feedback and the available menu options.



[8] Scanner operator panel



---

## The keys

**The Input key** Select a single original or a set of originals.

**The Output key** Select copy or file (scan-to-file) as your output.

**The Extra key** This key allows you to enter the Extra mode of the scanner and return to the normal mode. Set the properties for the original, the scanned files and for the scanner in the Extra mode.

**The Browse keys (left ◀, right ▶)** Move in one level of the menu structure as shown in the display. Browse the preset zoom values.

**The Browse keys (up ▲, down ▼)** Move between the levels of the menu structure as the display shows. Adjust the zoom value with an accuracy of 1 percent.

**The Confirm key** Confirm the current setting in the menu structure. If you press the confirm key a second time in the current menu item, you restore the previous setting.

**The Strip key** Press this key to add or to remove a 'leading' or a 'trailing' strip. The icon flashes. Use the browse keys (left ◀, right ▶, up ▲, down ▼) to change the value. The icon remains on if you press another settings key and select a different value than the default value.

**The Cancel key** Press this key one time to set the copy counter to the default value. Press this key twice to change all settings to their default values. The scan stops if you press this key.

**The - and + keys** Change the number of copies.

**The Start key** ◊ Press the green start key ◊ to start the scan or to restart the copy process.

**The Zoom key** Enters the zoom mode. The icon flashes. Use the browse keys (left ◀, right ▶) to browse the preset zoom values. Use the browse keys (up ▲, down ▼) to adjust the zoom value with an accuracy of 1 percent.

**The Exposure key** enters the exposure mode. The icon flashes. Use the browse keys to change the exposure value.

**The Media key** Select roll 1, roll 2 or manual feed. The equivalent icon is on.

## The display

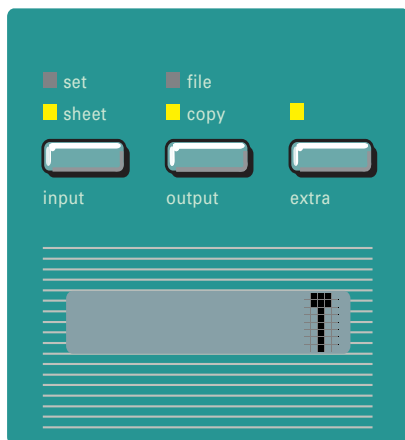
The display shows the feedback about the scan job status (see table below) in normal mode. In off-line mode it shows the off-line menu (see page 71) and (see page 82))

<b>Status messages</b>	
Status Messages	Explanation
Scanner ready	The scanner is prepared to scan.
□ + ◇ = add ◇ = close	Add an original to the set and press the Start key ◇ . After the last scan of the set, remove the original and press the Start key ◇ to close the set.
Connecting.....	There is no communication between the controller and the scanner. Wait until the there is communication.
Scanner asleep	The scanner is in low power mode.
Scanner running	The scanner scans.
Please wait	The scanner downloads the languages.
Remove original Press <cancel>	There is an original on the table while you turn on the scanner. The message appears if you pressed the Cancel key while you scan. Remove the original. Press cancel.
Original too long Press <cancel>	Use an original shorter than 15 meter.
Wrong orig. type Press <cancel>	This message shows when you select 'Background compensation' and 'Blueprint' as original. Press cancel.
Set closed	You closed the copy set.
Reset scanner	Turn the scanner on and off.

---

## Menu level indicator

The menu level indicator indicates the current position in the menu. Press the Previous key to scroll through the menu.



[9] Menu level indicator on the scanner operator panel

---

# Copy jobs

Your printer system has a 1 roll or 2 roll unit. Use the Media key, on the scanner operator panel, to select a roll, or to select the manual feed on the printer.

**Note:** *You must set the media type on the printer.*

You can make 1:1 copies and you can decrease or increase your original from 25% to 400%. You can set the zoom value in fixed steps or in% steps. The default zoom is set in the Océ Settings Editor.

The Océ TDS400 cuts the paper to the length of the original, the synchro cut. If you select the standard cut mode, the copy is cut at a standard length, (see ‘Set synchro or standard cut’ on page 64).

The automatic exposure gives background-free copies from most line-drawings. Select the correct original type if you have an extremely dark or light original, or an original with pasted parts or photographs (see ‘The exposure settings’ on page 58).

With the Océ TDS400 you can do a number of basic tasks. These tasks include:

- Turn on, turn off the scanner
- Make copies
- Select the required media
- Select the manual feed
- Specify the zoom factor
- Select the exposure setting
- Select to add or remove a strip
- Select the input mode
- Select the output mode
- Select extra settings
- Deliver originals after scanning
- Define settings for the next original
- Select autofeed of the original
- Stop a copy job

You can also do a number of special copy jobs. These special copy jobs include:

- Copy non standard size originals
- Define the copy size
- Define image quality: Optimisation for line/text/photo or blueprint mode
- Background compensation for line/text/photo or blueprint mode
- Edit function: mirror

---

## Turn on and turn off the Océ TDS400 scanner

To turn on the system:

- turn on the scanner.
- turn on the printer (see page 27).
- turn on the controller(see page 28).

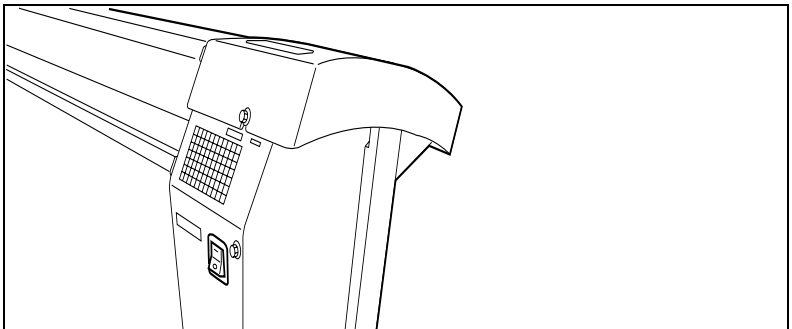
When you turn on the system, it is ready for operation. In this state, the machine is in the stand-by mode. There is no need to turn it off after each copy job. You can leave the system turned on for the rest of the day. At all times, the Océ TDS400 is ready to use.

If the system is not in use for more than 1 minute, the operator panel returns automatically to the stand-by mode. The operator panel of the scanner is activated in the following conditions:

- you feed an original
- a key on the operator panel is pressed

### ▼ Turn on the scanner

- 1 Set the ON/OFF switch at the rear of the scanner, to position '1' (see Figure 10). If the power supply is connected, the green switch lights.



[10] On/off switch of the scanner

**Note:** *The system is ready to use. You can turn ON and OFF the scanner separate from the printer and without any particular order.*

▼ **Turn off the scanner**

- 1 Set the on/off switch at the rear of the scanner, to position '0' (see Figure 10).

---

## Start the copy process

If you press the Start key, and you do not change any settings, the settings of the previous copy job are used or the default settings of the machine are used:

- number of copies 1
- use roll 1
- zoom 100%
- synchro cut
- no leading or trailing strip
- auto exposure on; exposure setting 0.

Default settings are used in the following situations:

- after turn on
- after you press 'cancel' twice
- after a time-out of 1 minute (since the end of previous copy job has expired).

If the Start key is pressed the original will be scanned. The original returns to the operator if you have enabled the rewind function (see page 60). You can make settings for the next job.

When the original returns, remove the original. A new original can be fed and you can program new settings.

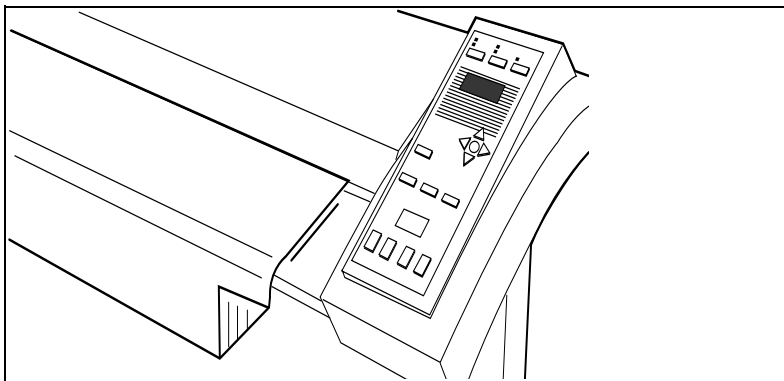
---

## Make copies

The copying process starts when you press the Start key. Before you press the Start key, you can change the settings.

▼ **Feed the original**

- 1 Insert the original face down and right aligned, along the original guide line on the scanner feed table so that you can see the line (see Figure 11).



[11] Insert the original

The original will be transported about 1 centimetre to a defined position.

- 2 Specify the number of copies with the '+' or '-' keys.
- 3 Press the 'media' key to select a roll or to select 'manual feed'.
- 4 Press the 'input' key to specify how a job is sorted: 'sheet' (output 1-1, 2-2, 3-3, or 'set' (output 1-2-3, 1-2-3).
- 5 Press the 'zoom' key to specify a reduction or an enlargement factor, if needed.
- 6 Press the 'exposure' key to correct for a lighter or darker original, if needed.
- 7 Press the 'strip' key to add or remove a strip, if needed.
- 8 Press the green Start key to start the copy job. The original is fed into the scanner. The printer starts.
- 9 Collect your output.

If you make a copy within the time-out of 1 minute, the machine will use the settings of the previous copy job.

---

## Number of copies

To have multiple copies from one original, enter the number of copies on the scanner operator panel. The original is scanned just once and the required number of copies are processed.

Refer to 'Product specifications Océ TDS400' on page 209 for the limitation of multiple copy jobs.

▼ **Select the number of copies**

- 1 Enter the number of copies (1 up to 99) with the '+' or '-' key on the scanner operator panel.  
The display shows the number of copies.

---

## Select the use of roll 1 or roll 2 or manual feed

You can select between two rolls or manual feed with the 'media' key. When a roll is selected, the copy material is taken from the selected roll.

**Note:** *Only use paper as specified in 'List of available material types and sizes' on page 214.*

▼ **Select roll 1, roll 2**

- 1 Press the 'media' key until the indicator that matches your selection lights.
- 2 Enter the media width if you have selected 'Manual feed' (see 'Media type and size on the printer' on page 29).
- 3 Set the correct media type settings (see 'Set the media type settings' on page 30).
- 4 Press the confirm key.

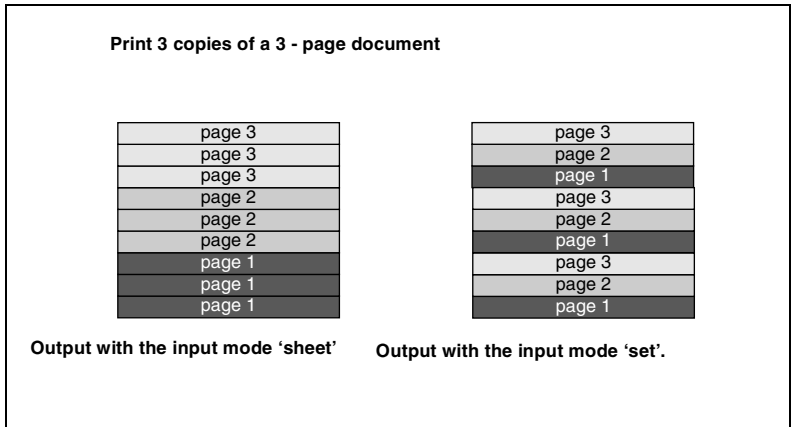


---

## Select the input mode

You can use the 'Input' setting to indicate how a job is sorted: the 'sheet' option prepares each sheet as a separate job (see Figure 12).

Select 'set' to keep the copies together and to prevent the interruption with a print job. 'set' makes a copy for each sheet in a set and continues with the next copy of the complete set (see Figure 12).



[12] Difference between the 'sheet' option and the 'set' option

### ▼ Select the input mode



- 1 Press the 'input' key to select the input mode 'sheet' or 'set'. The selected indicator lights.

---

## To copy sets

Use the input mode 'set' to copy sets of originals. The originals will be scanned sheet by sheet and the image information will be stored in memory. When you press the Start key to close the set the printer prints the output.

### ▼ How to copy sets

- 1 Press the 'input' key to select the input mode 'set'.
- 2 Insert an original.
- 3 Add the originals to the set and press the Start key .
- 4 After the last scan of the set, remove the original and press the Start key  to close the set.

---

## Specify the zoom factor

With the Océ TDS400 you can reduce or enlarge your original from 25% to 400%. Press the 'zoom' key to enter the zoom mode. You can select the zoom factor by means of the 'browse' keys when the indication flashes.

Choose between the fixed step zoom mode by means of the right and left browse keys. In fixed steps mode 8 pre-set zoom settings are available. Choose the % zoom mode by means of the up and down browse keys.

**Note:** *You can configure the fixed zoom steps in the Océ Settings Editor. Also refer to 'Summary of standard zoom formats' on page 218.*

### ▼ **Select the zoom factor with pre-set zoom steps**

- 1 Press the 'zoom' key. The indicator flashes.
- 2 Specify the zoom ratio with the ◀ or ▶ key.

The display shows the selected ratio. If you make the adjustments with this key, one of the indications above the key flashes. If the adjustment is different from the default setting, the indication lights.

### ▼ **Select the zoom factor with 1% zoom steps**

- 1 Press the 'zoom' key. The indicator flashes.
- 2 Specify the zoom ratio with the ▲ or ▼ key.

The display shows the selected ratio. If you make adjustments with this key, one of the indications above the key flashes. If the adjustment is different from the default setting, the indication lights.

---

## The exposure settings

You can modify the exposure quality to improve the image quality. To modify the exposure you can choose between:

- use of the lighter and darker keys
- enable or disable automatic background compensation
- adjust the Océ Image Logic® based on the original type you want to copy

The default exposure settings makes background-free copies of most line drawings. The automatic background compensation is activated. The background is measured when you scan an original. The result of some originals can not match your requirements.

When you copy very light or dark originals, or originals with unequal background density, the result can not meet your requirements (e.g. too much background).

Default the automatic background compensation is active and the exposure level is 0.

The automatic background compensation will provide a good quality copy from a large variety of originals. The automatic background compensation setting, which is switched on (by default), ensures the production of background-free copies of most line drawings.

#### ▼ **Adjust the exposure setting**

- 1 Press the 'Exposure' key.
- 2 Select the needed exposure value with the ◀ or ▶ key.

#### ▼ **Set the automatic background compensation**

- 1 Press the Extra key.
- 2 Select 'Original' with the ◀ or ▶ key.
- 3 Press the ▼ key to enter the 'Original' menu.
- 4 Select 'Background comp.' with the ◀ or ▶ key.
- 5 Press the ▼ key to enter the 'Background comp. menu.
- 6 Select 'on' or 'off' with the ◀ or ▶ key.
- 7 Press the confirm key.

The Océ TDS400 allows you to adjust the exposure setting according to the type of image on the original. There are three original types available:

- Lines/text
- Photo
- Blueprint

By default 'Lines/text' is selected with the background compensation enabled. This is the best setting for originals with characters and line art.

- Select 'Photo' when the original consists of a combination of characters, line art and picture images.

**Note:** *If you select 'Photo', the 'Background compensation' will be switched off automatically.*

- Select 'Blue print' when you want to copy an original with an image in negative (image in white on dark background). The copy will be positive (image in black on white background).

## ▼ **Improve the copy quality according to the type of image**

- 1 Press the Extra key.
- 2 Select 'Original type' with the ◀ or ▶ key.
- 3 Press the ▼ key to enter the 'Original type' menu.
- 4 Select 'Lines/text', 'Blueprint' or 'Photo' with the ◀ or ▶ key.
- 5 Press the ▼ key to enter the 'Lines/text', 'Blueprint' or 'Photo' menu.
- 6 Select the needed original type.
- 7 Press the confirm key.

---

## Deliver originals after scanning

You can choose for delivery of the original at the front (rewind) or the rear side of the scanner. Use the output at the rear side of the scanner if your originals are:

- thick
- very thin
- damaged
- in a carrier sheet.

The rewind setting will return to default when,

- the 'cancel' key is pressed,
- the panel time out has exceeded.

## ▼ **Enable the rewind function**

- 1 Press the Extra key.
- 2 Select 'Scanner' with the ◀ or ▶ key.
- 3 Press the ▼ key, to enter the 'Scanner' menu.
- 4 Select 'Rewind original' with the ◀ or ▶ key.
- 5 Press the ▼ key, to enter the 'Rewind original' menu.
- 6 Select 'on' or 'off' with the ◀ or ▶ key.
- 7 Press the 'confirm' key.

---

## Enable automatic feed of the original

To increase the productivity enable Automatic feed, no need to press the Start key, except for the first original. If you disable automatic feed you must press the Start key.

▼ **To enable automatic feed**

- 1 Press the Extra key.
- 2 Select 'Scanner' with the ◀ or ▶ key.
- 3 Press the ▼ key, to enter the 'Scanner' menu.
- 4 Select 'Autofeed orig.' with the ◀ or ▶ key.
- 5 Press the ▼ key, to enter the 'Autofeed orig.' menu.
- 6 Select 'on' or 'off' with the ◀ or ▶ key.
- 7 Press the 'confirm' key.

---

## Define settings for the next original

For each original you need to copy you can specify new settings.

▼ **Define settings for the next copy job**

- 1 Select all the needed settings for the next original.
- 2 Insert the next original.

---

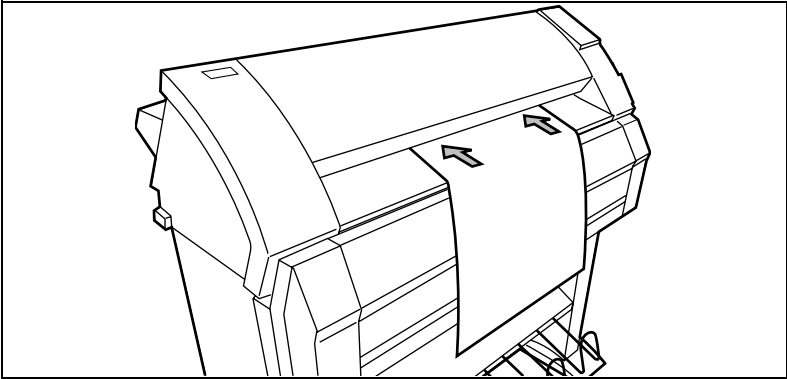
## Copy on pre-cut sheets

If you copy a job on a media type and/or size that is not available on one of the paper rolls, you can manually feed sheets instead of reloading paper rolls. You can insert pre-cut copy material in this slot, one sheet at a time. To set the time out for manual feed refer to 'Set the time-out for manual feed' on page 63.


▼ **Copy on pre-cut sheets**

- 1 Enter the type of the copy material on the printer operator panel.
- 2 Press the 'media' key on the scanner panel to select 'manual feed'. The indicator lights up.

**Note:** *The minimum length of the print material must be 420 mm.*



[13] Manual feed

- 3 Enter the number of copies.
- 4 Select the copy size.
- 5 Feed the original.
- 6 Press the Start key .
- 7 Take your sheet of copy material to the side of the printer that contains the cassette tray (see Figure 13).
- 8 Align the copy material with your hands to the format indication and the label on the manual feed table.
- 9 Move the copy material forward in the cut of the roller. A paper bulge must appear over the full width of the page.
- 10 Hold the paper with your hands until the printer pulls in the first part of the sheet.  
The bulge decreases or disappears. After a few seconds, the printer pulls the complete sheet.

**Note:** *If the copy job requires more sheets, the display indicates to feed the next sheet.*

- 11 Repeat the steps 7 to 10 to complete the job.
- 12 Collect your output.

**Note:** *The printer prints the image on the side of the sheet which is facing up.*

---

**Attention:** *When you feed a sheet of material in the manual feed while a normal print job runs, a media jam can occur.*

▼ **Set the time-out for manual feed**

Default is 60 seconds.

- 1 Press 'on-line' on the printer operator panel, to enter the main menu.
- 2 Select the 'media settings' item with the ◀ or ▶ key.
- 3 Press 'next/select' to enter the 'media settings' menu.
- 4 Select 'manual feed' with the ◀ or ▶ key.
- 5 Press 'next/select' to enter the 'manual feed' menu.
- 6 Select the 'time out' with the ◀ or ▶ key.
- 7 Press 'next/select' to enter the 'time out' menu.
- 8 Select the desired time out with the ◀ or ▶ key.
- 9 Press 'next/select' to confirm the selected timeout.
- 10 Press 'on-line' to leave the main menu.

---

## Stop a copy job

Press the 'cancel' key to interrupt the original transport.

### ▼ **Stop a job**

- 1 Press the 'cancel' key.  
The original transport is stopped.
- 2 The message 'Remove original', 'Press cancel' appears on the scanner display.
- 3 Open the scanner cover and remove the original.
- 4 Close the cover.
- 5 Press the 'cancel' key. The message disappears on the scanner display.

---

## Set synchro or standard cut

In synchro cut mode, the copy is cut at the length of the original. The length depends on the zoom factor and the leading or trailing strip setting. The default is Synchro cut mode.

In standard cut mode, the copy is cut at a standard format length (portrait). You select the length of the standard format with the 'browse' keys.

Example: select 36 inches, means select a format of 36 inches width and a corresponding 48 inches length. Independent of the roll width, the material is cut at a length of 48 inches.

When you select standard cut, the system always cuts at the selected length. If the original length is shorter or longer than the selected length, the cut is made at the selected length.

### ▼ **Select synchronic cut**

- 1 Press the Extra key.
- 2 Select 'Paper copy' with the ◀ or ▶ key.
- 3 Press ▼ key, to enter the 'Paper copy' menu.
- 4 Select 'cut length' with the ◀ or ▶ key.
- 5 Press ▼ key, to enter the 'cut length' menu.
- 6 Select 'on' or 'off' with the ◀ or ▶ key.
- 7 Press the 'confirm' key.



▼ **Select standard cut**

- 1 Press the Extra key.
- 2 Select 'Paper copy' with the ◀ or ▶ key.
- 3 Press ▼ key, to enter the 'Paper copy' menu.
- 4 Select 'cut length' with the ◀ or ▶ key.
- 5 Press ▼ key, to enter the 'cut length' menu.
- 6 Select a standard paper format with the ◀ or ▶ key.
- 7 Press the 'confirm' key.

---

## Adjust the leading or the trailing strip

To increase the copy length to accommodate for a filing strip select a positive leading or trailing strip.

If you do not want the filing strip to show on the copy, select a negative leading or trailing strip. The adjustment steps are indicated on the operator panel, expressed in millimetres or 0.1 inches.

▼ **Adjust the leading or the trailing strip**

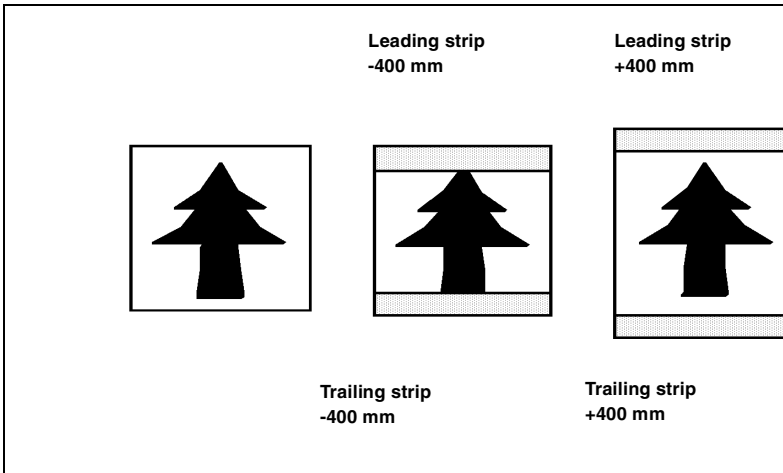
- 1 Press the 'strip' key to toggle between 'leading' and 'trailing' strip.
- 2 Select a positive or negative value in steps of 10 mm with the ◀ or ▶ key.
- 3 Select a positive or negative value in steps of 1 mm with the ▼ or ▲ key.

The length of the selected strip is shown in the display. If the adjustment differs from the default setting, the indication lights.

---

**Attention:** *If you make the strip larger than the strip on the original, you can lose information.*

**Leading and trailing strip** It is possible to adjust the length of both the leading and trailing strip to eliminate or add a filing strip. Leading and trailing strips can be extended up to 400 mm or shortened up to 400 mm (see Figure 14).

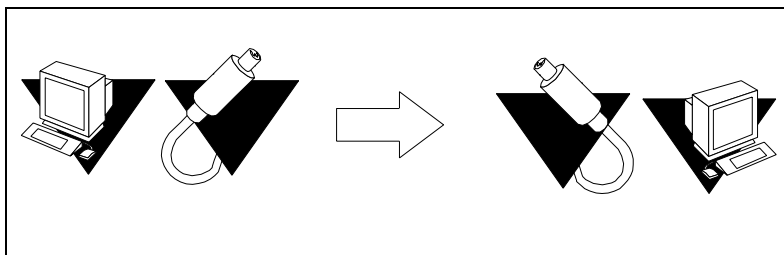


[14] Example of adjusting the leading and trailing strip of an original

---

## Mirror-image copies

You can make a mirror-image copy of an original, as shown in the next figure:



[15] Example of a mirror-image copy

### ▼ To make a mirror-image copy

- 1 Press the Extra key.
- 2 Select 'Paper copy' with the ◀ or ▶ key.
- 3 Press the ▼ key to enter the 'Paper copy' menu.
- 4 Select 'Mirror' with the ◀ or ▶ key.
- 5 Press the ▼ key to enter the 'Mirror' menu.
- 6 Select 'on' or 'off' with the ◀ or ▶ key.
- 7 Press the confirm key.

---

## Release original

For originals on thinner types of media you can enable Release original. With Release original enabled the original will be fully released after it is scanned.

- 1 Press the Extra key.
  - 2 Select 'Scanner' with the ◀ or ▶ key.
  - 3 Press the ▼ key to enter the 'Scanner' menu.
  - 4 Select 'Release orig.' with the ◀ or ▶ key.
  - 5 Press the ▼ key to enter the 'Release orig.' menu.
  - 6 Select 'on' or 'off' with the ◀ or ▶ key.
  - 7 Press the Confirm key.
  - 8 Make other settings if required.
  - 9 Feed the original.
  - 10 Press the Start key.
- The original is fully released after the scanner has completed its scan run.

---

# Stamping

Stamping is an Océ TDS400 option which allows you to print a predefined text on all your copies. Enable stamping with a password in the Océ Setting Editor. The key operator can predefine a maximum of 10 stamps in the Océ Settings Editor (see chapter 5, 'Océ Power Logic®: The Settings Editor' on page 99).

You can select one stamp per original and you can select another colour, font size, drawing method, legend edge or position. A stamp can consist of the following parts:

- predefined text
- date
- time

## ▼ How to select a stamp

- 1 Press the Extra key.
- 2 Select 'Paper copy' with the ◀ or ▶ key.
- 3 Press the ▼ key to enter the 'Paper copy' menu.
- 4 Select 'Stamp' with the ◀ or ▶ key.
- 5 Press the ▼ key to enter the 'Stamp' menu.
- 6 Select 'Enable' with the ◀ or ▶ key.
- 7 Press the ▼ key to enter the 'Stamp' menu.
- 8 Select 'on' with the ◀ or ▶ key.
- 9 Press the Confirm key.
- 10 Press the ▲ key to leave the current menu.
- 11 Select 'Select' with the ◀ or ▶ key.
- 12 Press the ▼ key to enter the 'Select' menu.
- 13 Select a stamp with the ◀ or ▶ key.
- 14 Press the Confirm key.

**Note:** *The following procedures are optional.*

## ▼ How to change the stamp color

- 1 Press the Extra key.
- 2 Select 'Paper copy' with the ◀ or ▶ key.
- 3 Press the ▼ key to enter the 'Paper copy' menu.
- 4 Select 'Stamp' with the ◀ or ▶ key.
- 5 Press the ▼ key to enter the 'Stamp' menu.
- 6 Select 'Format' with the ◀ or ▶ key.
- 7 Press the ▼ key to enter the 'Format' menu.

- 8 Select 'Colour' with the ◀ or ▶ key.
- 9 Press the ▼ key to enter the 'Colour' menu.
- 10 Select a color with the ◀ or ▶ key.
- 11 Press the Confirm key.

▼ **How to change the stamp size**

- 1 Press the Extra key.
- 2 Select 'Paper copy' with the ◀ or ▶ key.
- 3 Press the ▼ key to enter the 'Paper copy' menu.
- 4 Select 'Stamp' with the ◀ or ▶ key.
- 5 Press the ▼ key to enter the 'Stamp' menu.
- 6 Select 'Format' with the ◀ or ▶ key.
- 7 Press the ▼ key to enter the 'Format' menu.
- 8 Select 'Size' with the ◀ or ▶ key.
- 9 Press the ▼ key to enter the 'Size' menu.
- 10 Select a size with the ◀ or ▶ key.
- 11 Press the Confirm key.

▼ **How to change the drawing method**

- 1 Press the Extra key.
- 2 Select 'Paper copy' with the ◀ or ▶ key.
- 3 Press the ▼ key to enter the 'Paper copy' menu.
- 4 Select 'Stamp' with the ◀ or ▶ key.
- 5 Press the ▼ key to enter the 'Stamp' menu.
- 6 Select 'Drawing method' with the ◀ or ▶ key.
- 7 Press the ▼ key to enter the 'Drawing method' menu.
- 8 Select the drawing method with the ◀ or ▶ key.
- 9 Press the Confirm key.

▼ **How to change the legend edge**

- 1 Press the Extra key.
- 2 Select 'Paper copy' with the ◀ or ▶ key.
- 3 Press the ▼ key to enter the 'Paper copy' menu.
- 4 Select 'Stamp' with the ◀ or ▶ key.
- 5 Press the ▼ key to enter the 'Stamp' menu.
- 6 Select 'Legend edge' with the ◀ or ▶ key.
- 7 Press the ▼ key to enter the 'Legend edge' menu.
- 8 Select the legend edge with the ◀ or ▶ key.
- 9 Press the Confirm key.

▼ **How to change the stamp position**

- 1 Press the Extra key.

- 2 Select 'Paper copy' with the ◀ or ▶ key.
- 3 Press the ▼ key to enter the 'Paper copy' menu.
- 4 Select 'Stamp' with the ◀ or ▶ key.
- 5 Press the ▼ key to enter the 'Stamp' menu.
- 6 Select 'Position' with the ◀ or ▶ key.
- 7 Press the ▼ key to enter the 'Position' menu.
- 8 Select the position with the ◀ or ▶ key.
- 9 Press the Confirm key.

# Menu structure of the scanner

		Lines/text			
Original	Original type	Blueprint			
		Photo			
	Background comp.	on			
		off			
	Cut length	Synchrone cut			
		Standard cut			
		A0 (841x1189mm)			
		A1 (594x841mm)			
		A2 (420x594mm)			
		A3 (297x420mm)			
		E (24x44")			
		D (22x34")			
		C (17x22")			
		B (11x17")			
		E+ (36x48")			
		D+ (24x36")			
Paper copy		C+ (18x24")			
	Stamp	B+ (12x18")			
		30"x42"			
		B1+ (707x1000mm)			
		B2+ (500x707mm)			
		B2 (500x700mm)			
		Mirror	On		
			Off		
			Enable	On	
				Off	
			Select	Nickname 1	
				Nickname 2	
				Nickname 3	
		Nickname 4			
		Nickname 5			
		Nickname 6			
		Nickname 7			
		Nickname 8			
		Nickname 9			
		Nickname 10			
	Stamp	Format	Color		
			Light grey		
			Grey		
			Dark grey		
			Black		
			Size		
			Large		
			Small		
			Drawing method		
			Standard		
			Ericsson		
			Afiner		
	Legend edge				
	Trailing				
	Leading				
	Position				
	Bottom				
	Middle				
	Top				
	Rewind original	On			
		Off			
	Autofeed orig.	On			
		Off			
	Release orig.	On			
		Off			
Scanner					
	Language	UK English			
		Nederlands			
		more...			
	Print menu chart	Printing			





---

# Chapter 4

## Using the Océ TDS400 to Scan-to-file

*This chapter describes the scan-to-file function of the Océ TDS400. This chapter contains a description of the interface of the Océ TDS400 scanner, and of the Océ Scan Manager and Océ View Station LT applications on the local controller*



---

# Introduction

‘Océ Scan Logic®’ is an option which enables you to scan a document and send it to a specific directory on the network. It makes full use of Océ Image Logic®, a quality enhancement technology. Enable Océ Scan Logic® through a password in the Océ Settings Editor. A graphical user interface is supplied with the ‘Océ Scan Logic®’ option.

You scan in order to:

- Use the documents again
- Archive the documents
- E-mail the documents
- Prints the documents at a later time

A scan is made at the Océ TDS400 scanner. On the scanner operator panel, you select the resolution and the destination of the scan.


You can store a generated file on the controller (temporary store) or move the scan towards a network destination.

With Océ View Station LT you can see the scanned documents later. Océ View Station LT comes with the Océ Scan Manager application.


**Note:** *The optional Graphical User Interface (GUI) on the controller and a memory configuration of 256 Mb are required to use Océ Scan Logic®.*

---

# Make a scan

To scan an original to file is an easy operation. If the settings (see 'Settings to scan' on page 77) are correct, you must press the Start key  on the scanner operator panel.

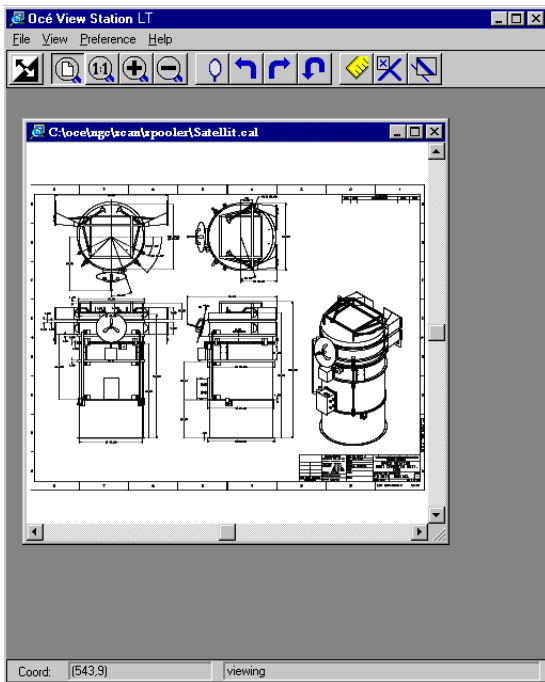
▼ **How to make a scan**

- 1 Place your original face-down, right aligned along the original guide.
- 2 Select the appropriate original type.
- 3 Press the Output key to select 'File'.
- 4 Select a Destination (see 'Destinations' on page 86).
- 5 Press the Start key .

The original is scanned.

**Note:** *Select auto-feed on/off, rewind original on/off, and release paper on/off in the 'scanner' menu on the scanner panel (see 'Menu structure Océ TDS400 Scanner' on page 82). When release paper is enabled, the original will be fully released after it is scanned.*

- 6 On the controller, Océ View Station LT starts, to show the result of the scan (see Figure 16).



[16] Océ View Station

---

# Settings to scan

Press the Extra key on the scanner operator panel to access the settings to make a scan. The following options are available in the 'File' menu:

**Destination** You can store your scan either in the temporary storage on the controller or you can store it on a network destination. You can define a maximum of six destinations in the Scan Manager application. You can select one of these destinations on the scanner operator panel.

**Checkprint** A Checkprint is a print from the scanned original. You can turn the checkprint on or off.

**File resolution** The Océ TDS400 Scan Logic® option can scan three resolutions: 200, 300 or 400 dots per inch (DPI). The higher the resolution, the better the image quality. Higher resolution also causes larger file size.

**File format** To define the internal order of the scanned files, select between TIFF (Tagged Image File Format), CALS-I (Continuous Acquisition and Life Cycle support), or PDF (Portable Document Format).

**Optimize size** Select this option to decrease the size of the file or to get good quality.

Set the scan size In the 'Original' menu.

---

## Destination

You can store your scan either in the temporary store on the controller or on a network destination. You can define up to six destinations in the Océ Scan Manager application. On the scanner operator panel you can choose one of these destinations.

### ▼ **Select a destination**

- 1 Press the Extra key.
- 2 Select 'Destination' with the ◀ or ▶ key.
- 3 Press the ▼ key, to enter the 'Destination' menu.
- 4 Select the needed 'Destination' with the ◀ or ▶ key.
- 5 Press the Confirm key.

**Note:** *The names of the destinations can be any. However, for your convenience, you are able to define understandable nicknames in the Océ Scan Manager application (see 'Create a local destination' on page 86).*

---

## Checkprint

A Checkprint is a print from the scanned original. You can turn Checkprint on or off.

### ▼ **Select Checkprint**

- 1 Press the Output key to select 'file'.
- 2 Press the Extra key.
- 3 Select 'Checkprint' with the ◀ or ▶ key.
- 4 Press the ▼ key, to enter the 'Checkprint' menu.
- 5 Select 'on' or 'off' with the ◀ or ▶ key.
- 6 Press the Confirm key.

---

## Resolution

The Océ TDS400 Scan Logic® option can scan three resolutions:

- 200 dots per inch (dpi)
- 300 dpi
- 400 dpi

To reach the best print quality on the Océ TDS400 select 300 dpi.

▼ **Select the resolution**

- 1 Press the Output key to select 'file'.
- 2 Press the Extra key.
- 3 Select 'File resolution' with the ◀ or ▶ key.
- 4 Press the ▼ key, to enter the 'File resolution' menu.
- 5 Select the needed resolution with the ◀ or ▶ key.
- 6 Press the Confirm key.

---

## File format

To define the internal order of the scanned files, select between TIFF (Tagged Image File Format), CALS-I (Continuous Acquisition and Life Cycle support), or PDF (Portable Document Format).

Within the 'Tiff format' option, you can define 9 different Tiff subformats. The 'Organization' and 'Compression' of the file are determined by the Tiff subformat you select.

### Organization

- Stripped
- Tiled
- Raw

**Note:** *Select 'Stripped' or 'Tiled' when you can use these organizations later. Select 'Raw' in another case.*

### Compression

- Group 4
- Group 3-1D
- None

**Note:** *Select 'Group 4' or 'Group 3-1D' when you can use these compressions later. Choose 'None' in another case.*

**Note:** *'Group 4' or 'Group 3-1D' are compression methods which are best for text and vector drawings. If you select these compressions to scan a photo with many gray scales these compressions can cause a negative compression: the file size increases instead of decreases.*

## ▼ Select file format

- 1 Press the Output key to select 'file'.
- 2 Press the Extra key.
- 3 Select 'File format' with the ◀ or ▶ key.
- 4 Press the ▼ key, to enter the 'File format' menu.
- 5 Select the required format or subformat with the ◀ or ▶ key.
- 6 Press the Confirm key.



---

## Optimisation

You can turn File size optimization 'on' or 'off'. If you select 'on' the file size is smaller, the scan quality will be less.



### Select optimise size

- 1 Press the Output key to select 'file'.
- 2 Press the Extra key.
- 3 Select 'Optimise size' with the ◀ or ▶ key.
- 4 Press the ▼ key, to enter the 'Optimise size' menu.
- 5 Select 'on' or 'off' with the ◀ or ▶ key.

# Menu structure Océ TDS400 Scanner

		w=A0 l=synch	1-	synch
		w=A1 l=synch		A0
		w=A2 l=synch		
		w=A3 l=synch		
		w=A4 l=synch		
		w=34 l=synch		
		w=22 l=synch		
		w=17 l=synch		
	Standard size	w=11 l=synch		
		w=8.5 l=synch		
		w=36 l=synch		
		w=24 l=synch		
		w=18 l=synch		
		w=12 l=synch		
		w=9 l=synch		
		w=30 l=synch		
		w=B1 l=synch		
		w=B2 l=synch		
		w=B1+ l=synch		
		w=B2+ l=synch		
	Custom width	w=123mm l=synch		
	Custom size	w=123mm l=12.3		
	Lines/text			
	Original type	Blueprint		
		Photo		
	Background comp.	on		
		off		
		Destination 1		
		Destination 2		
		Destination 3		
	Destination	Destination 4		
		Destination 5		
		Destination 6		
	Check print	on		
		off		
	File	200 dpi		
	File resolution	300 dpi		
		400 dpi		
		TIFF G3 RAW		
		TIFF G3 strip		
		TIFF G3 tiled		
		TIFF G4 RAW		
		TIFF G4 strip		
	File format	TIFF G4 tiled		
		TIFF unc. RAW		
		TIFF unc. strip		
		TIFF unc. tiled		
		CAIS		
		PDF unc.		
		PDF G4		
	Optimize size	on		
		off		
	Rewind original	on		
		off		
	Autofeed orig.	on		
		off		
	Scanner	Release orig.	on	
			off	
		US English		
	Language	Nederlands		
		more...		
	Print menu chart	Printing...		

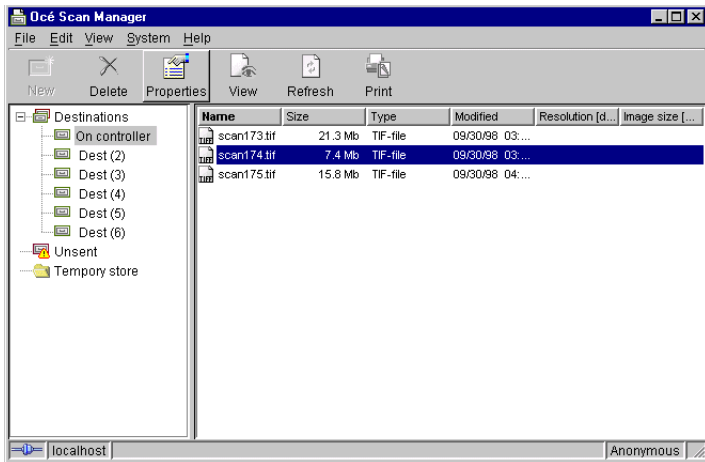
---

# Océ Scan Manager

The Océ Scan Manager is an application available local on the controller. With the Océ Scan Manager you can configure the destinations for Océ Scan Logic®. To increase your productivity you can define automatic file naming. This way you can do batch scans without operating the controller.

During scanning, Océ Scan Manager displays the filename and the status of the file generation process. When the scan is completed a view of the scanned image is automatically displayed on the controller.

Figure 17 shows an example of the Océ Scan Manager application. The left part displays a tree view containing folders containing destinations. The right part displays a table view containing the content of the folder currently selected.



[17] Overview of the Océ Scan Manager application

**Note:** *Not all options are available to all users. You must log on to a particular user mode to do specific tasks with Océ Scan Manager (see ‘Océ TDS400 users’ on page 18).*

---

## Tree view

The tree view displays:

- the system name
- the collapsible destination tree
- the collapsible temporary store tree.

If you scan to a particular destination, that destination is displayed bold and the corresponding icon changes. The destination you scanned last to, is displayed bold.

If for any reason a scan can not be sent to the correct remote destination, the file is stored in the 'Unsent' folder.

---

## Table view

The table view (on the right side of figure 17 on page 83) displays the file names of the files in the opened destination or temporary folder.

Each file has the following information:

- Name
- Size
- Type
- Modified
- Resolution
- Image size.

If the currently viewed destination is the one you are scanning to, then the scanned file appears at the end of the table. If you currently view another destination than the one you are scanning to, then the scanned to destination is displayed bold.

It is possible that there are more files in the table than fit on screen. The most recent scanned file appears at the end of the table. Under these circumstances it is possible that your most recent scanned file is not visible in the table on screen. In this case you can update the table view.



### **Update the table view**

- 1 From the 'View' menu select 'Refresh' or click the 'Refresh' button on the toolbar (see Figure 18). If the opened destination is also the one which is currently scanned to, then the view is automatically updated.



[18] 'Refresh' button on the toolbar

---

# Actions from the Océ Scan Manager

The Océ Scan Manager enables you to make settings for scan-to-file. You can edit and view the destination properties. You can also view the properties of scanned files.

---

## Destinations

A destination is a location where you scan your file to. You can create, delete and lock destinations. You can also define automatic file naming to ensure your files get the desired names.

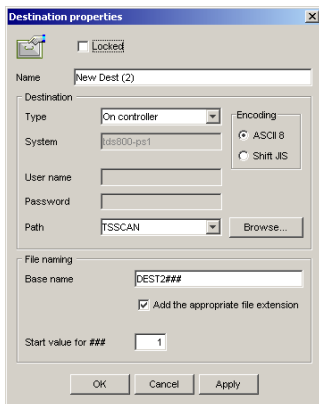
A destination can also be a file server or a PC of an end user. It is better to select remote destinations instead of the local ones. The local destinations are temporary and can only contain a limited number of scan files. Define the 'Scan memory reservation' in the Océ Settings Editor. See the on-line help on the Océ Settings Editor for more details.

### ▼ **Create a local destination**

- 1 Select 'Destinations' in the tree view.
- 2 Open the 'File' menu and select 'New' or click on the 'New' button on the toolbar (see Figure 19).



[19] 'New' button on the toolbar



[20] 'Destination properties' window

- 3 Enter a logical name for the destination in the 'Name' text box. This logical name also appears on the scanner panel S.
- 4 Select the 'On the controller' type from the 'Type' drop-down list box.
- 5 Enter a path of the target folder in the 'Path' text box. You can also click the 'Browse' button to select the path.  
**Note:** *This is only possible if you select 'On the controller' as 'Type' (see step 4).*
- 6 Click Ok to accept the destination properties.



### Create a network destination with SMB

- 1 Create a shared folder on a workstation. For example c:\Scan
- 2 On the Océ Scan Manager Open the 'File' menu and select 'New' or click on the 'New' button on the toolbar (see Figure 19).  
The Destination Properties dialog box appears (see Figure 20)
- 3 Select SMB from the 'Type' drop-down list box.
- 4 Enter the system name of the workstation where you created the shared folder.  
**Note:** *Find the system name of the workstation on the control panel of the workstation (Control panel - Network - Identification - System name)*
- 5 Enter the path name. This is the name of the shared folder on your workstation. For Windows NT®, Windows® 2000 and XP, use the DOS name of the shared folder.  
For Windows 95/98® use the folder name. This is case sensitive.  
**Note:** *You can not Browse. Instead of entering the path name by hand, you can use the drop-down list box to select a shared folder available on the selected system.*
- 6 If you have set a username and a password for the shared folder on the workstation, then enter the username and the password in the required fields.

- 7 Set the required file naming properties
- 8 Click OK  
Océ Scan Manager connects to the new SMB destination. Océ Scan Manager then shows the contents of the new SMB destination.

▼ **Create a web destination with FTP**

- 1 Create a home directory and a subdirectory on a workstation. For example  
c:Ftp/Scan
- 2 Enable FTP on the workstation
- 3 On the Océ Scan Manager Open the 'File' menu and select 'New' or click on the 'New' button on the toolbar (see Figure 19).  
The Destination Properties dialog box appears (see Figure 20)
- 4 Select FTP from the 'Type' drop-down list box.
- 5 Enter the system name of the workstation where you created the shared folder.  
*Find the system name of the workstation on the control panel of the workstation (Control panel - Network - Identification - System name)*
- 6 Enter the path name. This is the name of the shared folder on your workstation.  
For Windows NT®, Windows® 2000 and XP, use the DOS name of the shared folder.  
For Windows 95/98® use the folder name. This is case sensitive.  
**Note:** *You can not Browse.*
- 7 For access to the directory on the workstation through FTP, a user name and password is set on the FTP server that runs on the workstation. Enter this user name and this password in the required fields on the Destination Properties dialog box of the Océ Scan Manager.
- 8 Set the required file naming properties
- 9 Click OK  
Océ Scan Manager connects to the new FTP destination. Océ Scan Manager then shows the contents of the new FTP destination.

**Note:** *You can create a maximum number of 10 destinations.*

**Note:** *Names in Japanese can only be entered for remote destinations in SMB.*

A key operator can determine whether a destination can be modified by an anonymous user. This done by locking and unlocking a destination.

▼ **Lock a destination**

- 1 Select a destination.
- 2 From the 'File' menu select 'Properties'.
- 3 Check the 'Locked' check box.
- 4 Click 'OK' to accept the destination settings.  
The destination properties are now locked.



**Note:** This option is only available if you are logged on as a Key operator (see chapter 9, 'Océ Account Center' on page 145).

▼ **Unlock a destination**

- 1 Select a destination.
- 2 From the 'File' menu select 'Properties'.
- 3 Uncheck the 'Locked' check box.
- 4 Click 'OK' to accept the destination settings.

The destination properties are now unlocked.

**Note:** This option is only available if you are logged on as a Key operator (see 'Océ Account Center' on page 145).

▼ **Delete a destination**

- 1 Select a destination.
- 2 Open the 'File' menu and select 'Delete' or click the 'Delete' button on the toolbar (see Figure 21).



[21] 'Delete' button on the toolbar

The selected destination is deleted.

**Note:** This option is only available if you are logged on as a Key operator or as a Repro operator.

**Note:** You are not able to delete the last destination.

▼ **Define a file name**

- 1 Select a destination.
- 2 From the 'File' menu select 'Properties'.  
The 'Destination properties' screen appears (see Figure 20 on page 87).
- 3 Enter a name in the 'Base name' text box.  
**Note:** The 'Base name' may contain '###' for automatic file naming. The '###' will be replaced by an ascending number. You may place as many dots in the 'Base name'.
- 4 Select or clear the check box 'Add correct file extension' to add or leave out the file extension. Set the file extension in the Océ Settings Editor.
- 5 Click 'Apply' or press Enter to accept the settings.

When you scan, the scanner operator panel displays the file name.

Before a new scan-to-file job, enter a new file name or replace the file name with ###. When the file name is not changed, the new scan-to-file job overwrites the previous scan-to-file job.

▼ **Set or Change destination properties**

- 1 Select a destination.
- 2 From the 'File' menu select 'Properties' or click the 'Properties' button on the toolbar (see Figure 22).



[22] 'Properties' button on the toolbar

The 'Destination properties' screen appears as in figure 20 on page 87.

- 3 Change the destination properties as described in 'Create a local destination' on page 86.

---

## Scanned files

The right pane of the Scan Manager contains the scanned files and additional information about the files. You can view, print and delete these files. You can also view the file properties.

▼ **View a scanned file**

- 1 Select a file in the right pane.
- 2 From the 'File' menu select 'View' or click the 'View' button on the toolbar (see Figure 23).



[23] 'View' button on the toolbar

Océ View Station LT starts and displays the file.

**Note:** *When you make a scan Océ View Station LT starts automatically, and shows the result of the scan.*

▼ **Print a scanned file**

- 1 Select a file in the right pane.
- 2 From the 'File' menu select 'Print' or click the 'Print' button on the toolbar (see Figure 24).



[24] 'Print' button on the toolbar

The selected file will be printed with the default settings as defined in the Océ Settings Editor.

▼ **Delete a scanned file**

- 1 Select a file in the right pane.
- 2 From the 'File' menu select 'Delete' or click the 'Delete' button on the toolbar (see Figure 25).



[25] 'Delete' button on the toolbar.

The selected file will be deleted.

**Note:** *This option is only available if you are logged on as a Key operator or as a Repro operator.*

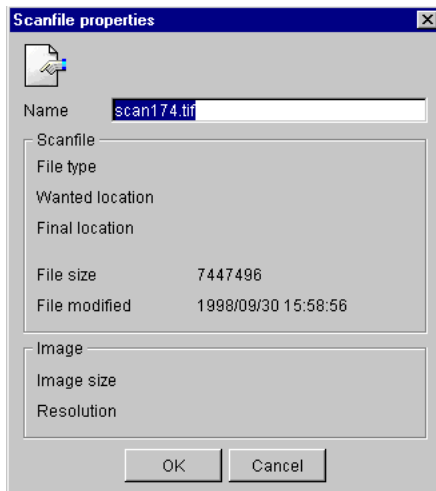
▼ **View properties of a scanned file**

- 1 Select a file in the right pane.
- 2 From the 'File' menu select 'Properties' or click the 'Properties' button on the toolbar (see Figure 26).



[26] 'Properties' button on the toolbar.

The following window appears (see "Scanfile properties' window' on page 91):



[27] 'Scanfile properties' window

- 3 Click 'OK' to close the 'Scanfile properties' window.

▼ **Automatically view a file after scanning**

You can choose to view a file automatically after scanning:

- 1 From the 'System' menu select 'Auto view'.

When you scan, Océ View Station LT starts automatically and show the scanned file.

---

## Manage the temporary store

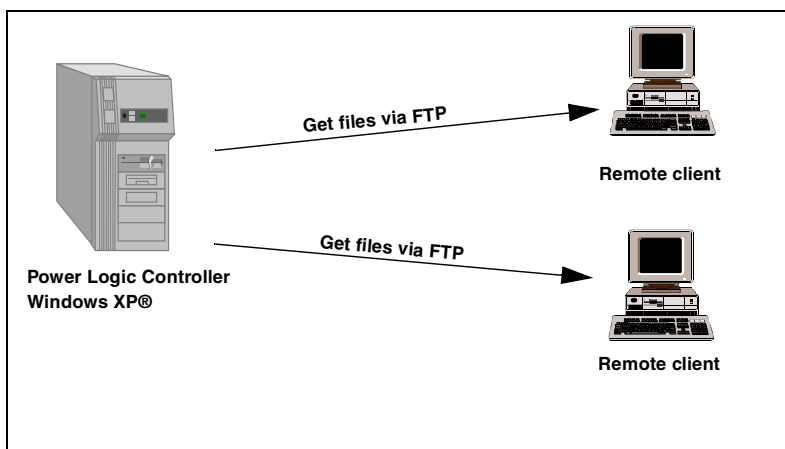
When you normally scan the originals to a file, many files are created in the temporary store. You can clean the temporary store:

- manual: from the 'System' menu select the 'Purge' command.
- automatic: you must make some settings in the Océ TDS400 Settings Editor.

---

# How to retrieve scanned files

When you scan your files will be stored in the destination you set. This can be on the local controller or on a remote system. You can retrieve your files from the local host via File Transfer Protocol (FTP) (see Figure 28). Also if during scanning to a remote destination, something goes wrong, you can retrieve your files from the local host.



[28] How to retrieve scan files

---

## Get files via FTP

- 1 Launch an FTP client.
- 2 Enter the 'ftp' command.  
A DOS box now appears with the FTP prompt.
- 3 Enter the 'Open' command followed by either the registered name of the Océ Power Logic® Controller or the IP address (for example: 194.2.66.146) to connect to the Controller and press Enter: 'open 194.2.66.146'.  
**Note:** *Instead of performing steps 2 and 3 you could also enter "ftp host\_name" in the FTP client.*  
The connection with the Controller is now established and a window appears asking you for a user name.
- 4 Enter your user name 'anonymous', and enter as your password also 'anonymous'.  
A connection is now set up for the default user 'anonymous'.

**Note:** *As there is no registered user, you can press Enter to initiate the connection.*

- 5 Set the transmission mode to binary by entering 'binary'.
- 6 Go to the 'tempstore' directory using the following command: 'cd tempstore'.
- 7 Go to the 'scan' directory if you want to retrieve a file from a destination on the local host,  
or  
go to the 'unsent' directory if you want to retrieve a file from 'unsent' folder on the local host.
- 8 Get the data file (for example: bugatti.tif) via the 'get' command:  
'get bugatti.tif'.
- 9 Quit FTP by entering the 'bye' command.

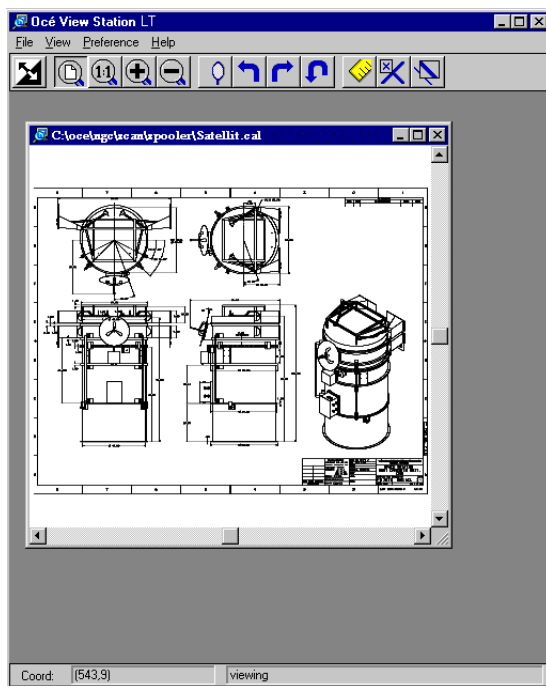
**Note:** *You can retrieve multiple files by the 'mget \*' command or the 'mget .' command. Which command you can use is release dependent.*

# Océ View Station LT

With Océ View Station LT you can view your scanned files. This can be automatically (see ‘Automatically view a file after scanning’ on page 92) after scanning or via Scan Manager (see ‘Print a scanned file’ on page 90).

Océ View Station LT has the following menu’s (see Figure 29):

- File
- View
- Preference
- Help



[29] Océ View Station

---

## Menu options

<b>File menu</b>	
Command	What does it do
Close	Closes the active document
Properties	Provides technical information about, and allows you to change certain properties of the document.

[30]

<b>View menu</b>	
Command	What does it do
Fit	Scales the image to fill the window.
1:1	Displays the image at a 1:1 scale factor.
Magnify	Zooms into the page.
Reduce	Zooms out of the page.
Refresh	Redraws all windows displaying the active document.
Invert	Reverses the black and white parts of the image.
Mirror	Mirrors the image.
Rotate 90 CCW	Rotates the image 90 degrees counter-clockwise.
Rotate 90 CW	Rotates the image 90 degrees clockwise.
Rotate 180	Rotates the image 180 degrees.
Sample	When active, displays only a sample of bilevel raster pixels.
Negate	Reverses the raster image pixels on display and changes which are dominant for scaling.
Scale to gray	When active, displays the active bilevel raster image as though it were a greyscale image.
Monochrome	An image or screen having only background and foreground colors. Same as black-and-white or bilevel.

[31]

<b>Preference menu</b>	
Command	What does it do
View ribbon	View Ribbon displays and removes the ribbon that contains buttons. The View Ribbon appears, by default, below the menu bar. It serves as a fast means of selecting some File, View, and Preference menu commands.
Status bar	Status Bar displays and removes the Status Bar at the bottom of the Océ View Station LT window. The Status Bar displays the pointer co-ordinates and a status line.

[32]



Preference menu (continued)	
Command	What does it do
Reference	Reference displays or removes a small, usually floating window. This window displays the entire current page in miniature. The crossed box inside the Reference window indicates which part of the page is displayed in the document window. By moving or resizing the crossed box, you change which area of the page is displayed.
Detail	Displays or removes the Detail window.
Measurement	When active, allows you to measure lines and areas on the image.

[32]

Help menu	
Command	What does it do
About	Shows information about Océ View Station.

[33]

**Note:** *You can retrieve help about Océ View Station LT via the Océ Scan Manager.*

## Function buttons

Below the menu's there are function buttons in a ribbon. This ribbon can be turned on and off (see 'View ribbon' on page 96).



[34] Function buttons in Océ View Station

The above figure displays the buttons:

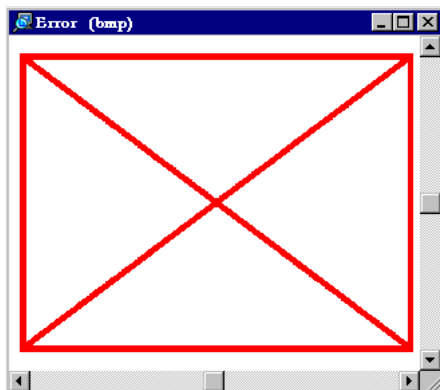
- 1 Invert: Reverses the black and white parts of the image.
- 2 Fit: Scales the image to fill the window.
- 3 1:1: Displays the image at a 1:1 scale factor.
- 4 Magnify: Zooms into the page.
- 5 Reduce: Zooms out of the page.
- 6 Mirror: Mirrors the image.
- 7 Rotate 90 CCW: Rotates the image 90 degrees counter-clockwise.
- 8 Rotate 90 CW: Rotates the image 90 degrees clockwise.
- 9 Rotate 180: Rotates the image 180 degrees.
- 10 Measurement: When active, allows you to measure lines and areas on the image.

- 11 Reference. This small floating window displays the entire current page in miniature for reference.
- 12 Displays or removes the Detail window.

---

## View error

When the memory is almost full it can occur that the viewer does not show the scanned file. Instead it shows a red border with a red cross (see Figure 35).



[35] Error view in Océ View Station

---

# Chapter 5

## Océ Power Logic®: The Settings Editor

*This chapter gives information about the Océ Settings Editor. For details about specific settings, refer to the Help on the Océ Settings Editor.*



---

# Introduction

Use the Océ Settings Editor to set the default settings of the Océ TDS400 according to your companies requirements. 2 types of users can determine settings in the Océ Settings Editor, Key Operators and System Administrators. You can log on as either Key Operator or System Administrator. Key Operators and System Administrators have different rights to determine settings.

---

# How to start up and shut down the controller

Take the following actions to start up the controller:

## ▼ Start up the Océ controller

- 1 Turn on the controller and the screen.

After the initial system test of the controller the applications, Océ Queue Manager, Océ System Control Panel, Océ Settings Editor and Océ Scan Manager are automatically started and the Océ TDS400 is ready for operation.

**Note:** *The Océ Queue Manager and the Océ System Control Panel applications are visible on the screen; however the Océ Settings Editor is minimised, to save screen estate.*

Take the following actions to shut down the controller:

## ▼ Shut down the Océ controller

- 1 Go to the Océ System Control Panel application.
- 2 Select the 'Shutdown' option from the 'System' menu.
- 3 Confirm shutdown by clicking on the 'Yes' button in the 'Shut down' window. The system automatically performs the shutdown procedure for the controller. Finally, the Windows XP 'Shutdown Computer' window appears, which informs you that you can turn off your computer.  
**Note:** *You can now restart the controller by pressing the 'Restart' button.*
- 4 Turn off your computer and display.

**Note:** *The Océ TDS400 has a sleep mode. The sleep mode powers off almost all the power supplies after a certain time of inactivity.*

---

# Océ Settings Editor

The Océ Settings Editor is one of the controller applications for the Océ TDS400. The Océ Settings Editor allows users and operators to view settings of the system. If authorised, the settings of the system can be modified on the Océ Settings Editor.

With the Océ Settings Editor two groups of settings can be configured:

- Key Operator settings (KO settings)

The Key Operator group allows authorised users to configure default settings for copy and print jobs, default off-line fold settings and scan-to-file options. With the Key Operator settings also the printer, system and scanner defaults can be set or modified. A subset of the Key Operator settings are the Repro Operator settings. The Repro Operator has no rights to change settings in the Océ Settings Editor. In the Océ Queue Manager and the Océ System Control Panel the repro operator has the same user rights as the Key Operator and System Administrator. See 'User modes' on page 137.

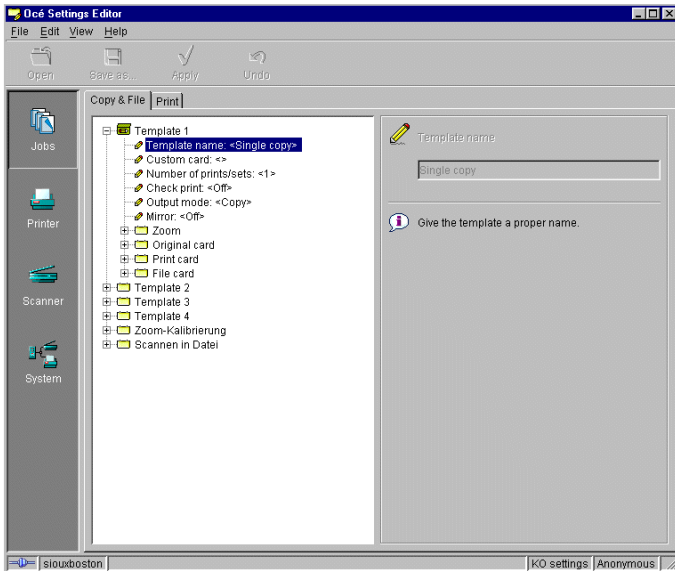
- System Administrator settings (SA settings)

The System Administrator group allows authorised users to configure default printer language (PDL) settings and printer pen settings. It also allows the System Administrator to configure system and connectivity settings.

These groups of settings can be selected from the 'View' menu of the Océ Settings Editor.

**Setting dependencies** The Océ Settings Editor is used to display and edit a specified group of settings. Some settings are related to other settings, however. If you want to change settings which have dependencies with other settings you will be prompted with a message. When a setting is changed, the system automatically updates the related settings.

Also, when you change certain settings, such as measurement unit or paper series, all related settings are instantaneously converted to the new setting (with a bullet for the settings that are changed).



[36] Océ Settings Editor

---

## General structure

The Océ Settings Editor is structured as follows:

- Menu bar
- Top toolbar
- Left toolbar
- Settings area
- Status bar

---

## Menu bar

The menu bar of the Océ Settings Editor contains the following menus:

**File** If you select the 'File' menu you can log on as a particular type of user, log off from the previously selected user mode, open an existing setting file, save the current settings to a file, connect to a different controller (only for remote users) or exit the Océ Settings Editor.

**Edit** If you select 'Options' from the 'Edit' menu, a window is displayed in which you can view your default system and the display languages (first and second) for the Océ Settings Editor application. The 'Automatic logon' option allows you to start the Océ Settings Editor application automatically in the specified user mode.

**View** The 'View' menu allows you to switch between the display languages as defined in the Edit options window and to switch between KO settings and SA settings.

**Help** The 'Help' menu contains the following options: 'Contents of Océ Settings Editor' and 'About Océ Settings Editor'.



[37] Menu bar

---

## Top toolbar

The top toolbar of the Océ Settings Editor contains four control buttons: 'Open', 'Save as', 'Apply' and 'Undo'.



[38] Top toolbar

**Open** When you click on the 'Open' button, you open a saved file.

**Save as** All Key Operator and System Administrator settings can be saved in a file. This way you can have different settings for different customers, departments or other situations.



**Note:** *These settings can only be saved in Key Operator or System Administrator mode.*

**Apply** When you click on the ‘Apply’ button, the changes you have made become effective. Initially, this button is disabled. It is enabled after the first setting is changed and disabled again after the apply action is performed or after an undo action.

**Undo** This button restores the settings to the state it was in the last time the settings were applied (and not back to the factory default). Initially, the ‘Undo’ button is disabled. This button is enabled the moment the first setting is changed. It is disabled after an Apply action is performed or after an undo action



### **Save settings to file**

- 1 Open the ‘File’ menu and select ‘Save as’, or press the ‘Save as’ button on the toolbar.

You now have two possibilities:

- If the client is a local client, a dialog is displayed and the user can supply a file name. The file is saved in a predefined directory on the system.
- If the client is a remote client, a dialog box is displayed and the user can supply a directory and a file name.

**Note:** *All settings in the current view mode are saved; not only the ones that are currently visible.*

A few special files are available here:

- Default.kos/Default.sas  
These files contain the factory default settings for the Key Operator and System Administrator, respectively, and can not be changed.
- Backup.kos/Backup.sas  
These files contain a previous version of the settings for the Key Operator and System Administrator, respectively (before the last Apply).
- Current.kos/Current.sas  
These files contain the version of the settings for the Key Operator and System Administrator after the last Apply.

When an Apply is performed, first the contents of the current settings is copied to the backup file. There are two versions of this file, one for KO settings and one for SA settings. These files are always stored on the system.

- ▼ **Open a saved file**
- 1 Open the 'File' menu and select 'Open', or press the 'Open' button on the toolbar.  
A dialog box is displayed from where you can choose the correct file.
  - 2 Click the 'Apply' button.  
The loaded settings are transferred to the system.  
**Note:** *This is only possible if the user is logged on as a Key Operator or System Administrator.*

---

## Left toolbar

There are four different buttons available at the left toolbar of the Océ Settings Editor. These are 'Jobs', 'Printer', 'Scanner' and 'System'. Each button provides access to a specific group of settings. By clicking on each of these buttons, you can get access to the settings related to the selected group.

A shadow highlight is used to indicate which button is activated.



[39] Left toolbar

---

## Settings area

The settings area consists of two parts: a setting tree and an update area.

**Tree structure** Most settings are displayed using a tree structure. By clicking on the settings, folders can be opened to show all the entries or closed to hide all the entries below these folders.

The settings for system components that are not available are not displayed. So, if you do not have a folder, no folder settings are available. This means that different configurations result in different tree structures.

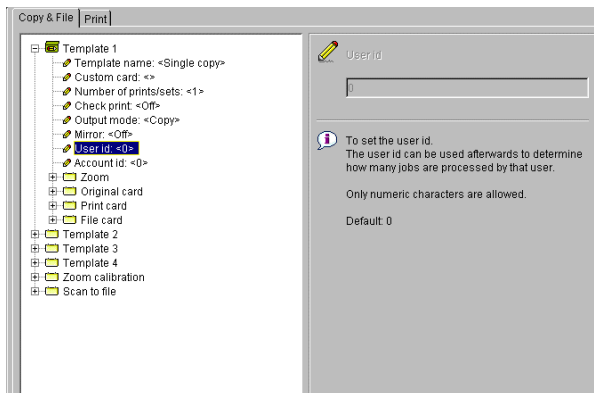
**Note:** When a tree item has been changed, this item will be marked with a bullet.

**Update area** The user can move through the tree and select a setting. If he selects a setting for which he is authorised, he can edit the setting in the update area.

If the user is not authorised for a particular setting, the update area is grayed and no changes can be made.

Note that a few settings, such as basic card and pen settings, are not edited from the tree structured, but are accessed directly from the settings area.

The update area contains some additional information about the selected setting. This includes a brief definition of the setting, as well as the minimum, maximum and default values (if appropriate).



[40] Settings area

---

## Status bar

The Océ Settings Editor has a status bar displaying the following information (left to right):

- System status (icon for connected or disconnected)

The following icons are used:



The Océ Settings Editor is connected to a system.



The Océ Settings Editor is not connected to a system.

- System name ('localhost' if you are working at the controller)
- User mode (Repro operator, Key Operator, System Administrator or anonymous)
- View mode (KO settings or SA settings).

---

## How to access the Océ Settings Editor

In order to perform special Key Operator functions, you must log on to the Océ Settings Editor as a Key Operator.

As these functions are restricted to a dedicated Key Operator, a password is required to access them. The service engineer will provide this password to you upon installation.

**Note:** *Only one Key Operator or System Administrator at a time is authorised to make modifications. However, there may be multiple users viewing the settings. When a second user tries to log on as Key Operator or as System Administrator, an error message is displayed.*

---

## Start Océ Settings Editor

You can start the Océ TDS applications on the controller as well as on a remote workstation.

### ▼ Start Océ Settings Editor on the Océ Power Logic® Controller

- 1 Select the 'Launcher' application.
- 2 Select Océ Settings Editor. Océ Settings Editor starts.

▼ **Start Océ Settings Editor on a remote workstation**

**Note:** You must first install Océ Remote Logic® as described (see 'Installation procedure for MS Windows® systems' on page 131).

- 1 Select 'Océ Remote Logic®' via the 'Start' menu.
- 2 Select the 'Launcher' application.
- 3 Select Océ Settings Editor. Océ Settings Editor starts.

---

## How to perform actions from the Océ Settings Editor

You can perform a number of activities from the Océ Settings Editor. These activities include:

- Save settings to file
- Load settings from a file

**Save and load settings** All Key Operator and System Administrator settings can be saved in a file or loaded from a file. This way you can have different settings for different customers, departments or other situations.

**Note:** *These settings can only be saved in Key Operator or System Administrator mode.*

▼ **Save settings to file**

- 1 Open the 'File' menu and select 'Save as'.

You now have two possibilities:

- If the client is a local client, a dialog is displayed and the user can supply a file name. The file is saved in a predefined directory on the system.
- If the client is a remote client, a dialog box is displayed and the user can supply a directory and a file name.

**Note:** *All settings in the current view mode are saved; not only the ones that are currently visible.*

A few special files are available here:

- Default.kos/Default.sas

These files contain the factory default settings for the Key Operator and System Administrator, respectively, and can not be changed.

- Backup.kos/Backup.sas

These files contain a previous version of the settings for the Key Operator and System Administrator, respectively (before the last Apply).

- Current.kos/Current.sas

These files contain the version of the settings for the Key Operator and System Administrator after the last Apply.

When an Apply is performed, first the contents of the current settings is copied to the backup file. There are two versions of this file, one for KO settings and one for SA settings. These files are always stored on the system.



#### **Load a settings file**

- 1 Open the 'File' menu and select 'Open'.  
A dialog box is displayed from where you can choose the right file.
- 2 Click the 'Apply' button.

The loaded settings are transferred to the system.

**Note:** *This is only possible if the user is logged in as a Key Operator or System Administrator.*

---

# Key Operator settings

The Key Operator is responsible for correct default settings of the system. These settings include the default settings, and groups of default printer settings for the print and the copy jobs that again occur.

The Key Operator can define all timer settings, like the panel time out and the sleep mode time out.

**Note:** *One Key Operator or System Administrator can log on to the Océ Settings Editor at the same time.*

In order to perform special Key Operator functions, you must log on to the Océ Settings Editor as a Key Operator.

As these functions are restricted to a dedicated Key Operator, a password is required to access them. The service engineer will provide this password to you upon installation.

**Note:** *When you are finished, make certain you log off from the Key Operator mode of the Océ Settings Editor to prevent unauthorized use of the Océ TDS400.*

## ▼ **Make Key Operator settings in the Océ Settings Editor**

- 1 maximise the Océ Settings Editor on the screen.
- 2 Log on as Key Operator.
- 3 Click on one of the top buttons to display the desired group of settings.
- 4 Select the setting you want to update in the tree structure.
- 5 Update the setting in the update area, as required.

**Note:** *A few settings are made directly from the tree structure area.*

- 6 Click on the 'Apply' button.

The new value is now applied for the setting

Log from the Key Operator mode when you have finished updating the settings.

# System Administrator settings

The Océ TDS400 System Administrator is responsible for:

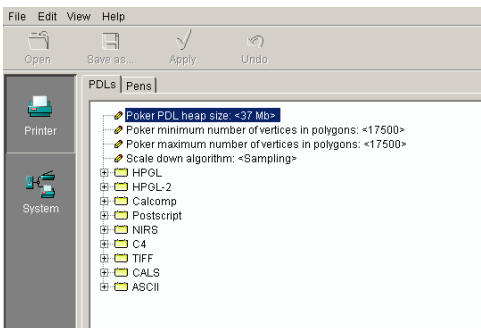
- Dithering matrix and Poker settings
- Printer language controller settings
- Pen settings
- Automatic Language Selection (ALS) settings
- Controller identification settings
- Set memory reservation settings
- Connectivity settings.

**Note:** *Poker stands for Portable Kernel. Poker performs automatic interpretation of the host language in which the data from the scanner or in the job ticket is encoded. Poker makes sure that the quality between the input from the printer driver or scanner and the output from the printer is consistent. Poker supports data compression for scan-to-file and changes raw data from the scanner into high level file formats.*

To modify the System Administrator settings you have to access the SA settings in the Océ Settings Editor.

There are two types of System Administrator settings (see Figure 41):

- Printer
- System



[41] System Administrator settings in the Océ Settings Editor



In order to perform special System Administrator functions, you must log on to the Océ Settings Editor as a System Administrator (see ‘User modes’ on page 137).

**Note:** *When you are finished, make certain you log off from the System Administrator mode of the Océ Settings Editor to prevent unauthorized use of the Océ TDS400.*

▼ **Make System Administrator settings in the Océ Settings Editor**

- 1 Maximise the Océ Settings Editor on the screen.
- 2 Log on as System Administrator.  
See ‘User modes’ on page 137 for more information about logging on to the Océ Settings Editor.
- 3 Click on one of the top buttons to display the desired group of settings.
- 4 Select the setting you want to update in the tree structure.
- 5 Update the setting in the update area, as required.  
**Note:** *A few settings, such as the default pen settings, are made directly from the tree structure area.*
- 6 Click on the ‘Apply’ button.  
The new value is now applied for the setting
- 7 Log off from the System Administrator mode when you are finished updating settings.



---

# Chapter 6

## Océ Power Logic®: System Control Panel

*This chapter describes how to view the status of the Océ TDS400.*



---

# Introduction

The Océ System Control Panel (SCP) application provides you with status information about the system. This includes:

- Status of the printer
- Overview of the loaded media types and sizes
- Status of the scanner
- Status of the controller
- Memory usage.

**Note:** *If you do not have a scanner, the scanner status is not available. If you have a scanner only, the machine status of the printer and the overview of the loaded media is not available.*

---

## Structure

The Océ System Control Panel window is divided into the following parts (see Figure 42 on page 118):

**The menu bar** which contains the following menu's:

- File - Logon, Logoff, Connect to and Exit.
- Edit

If you select this option a window is displayed in which you can view your default system for the Océ System Control Panel application. The 'Automatic logon' option allows you to start the application automatically in the indicated user mode.

- View

The View menu allows you to switch between the display languages as defined in the Edit options window and to enable or disable Océ System Control Panel sub windows.

- System

The System menu allows you to dump your configuration settings, make a demo print, clear the system and shut down the system.

- Help options: Contents of Océ System Control Panel, About Océ System Control Panel.

- Toolbar

The toolbar of the Océ System Control Panel contains the following keys:

Printer: to hide or to show the status of the printer.

Media: to hide or to show media information.

Scanner: to hide or to show the status of the scanner.

Controller: to hide or to show the status of the controller.

Memory: to hide or to show the amount of set memory that is used.

**Note:** *If operator invention is required for a device, the respective key flashes.*

**The Printer status window** Displays the current status of the Printer. Any error messages displayed on the printer control panel also appear in the printer status window of the Océ System Control Panel.

**The Media display** Provides graphical information about the status of the rolls and sheetfeeders (available, empty or disabled) of the printer and about the available media (size and type).

**Note:** *If the Media type equals polyester, the thickness is expressed in mil (0.001"), otherwise the weight is expressed in g/m2.*

When a roll or tray is disabled the roll icon is dimmed and the media information is replaced by the text “-disabled-” (see ‘Icons’ on page 118).

**Note:** *Special media are excluded from the automatic behavior of the Océ Power Logic® Controller.*

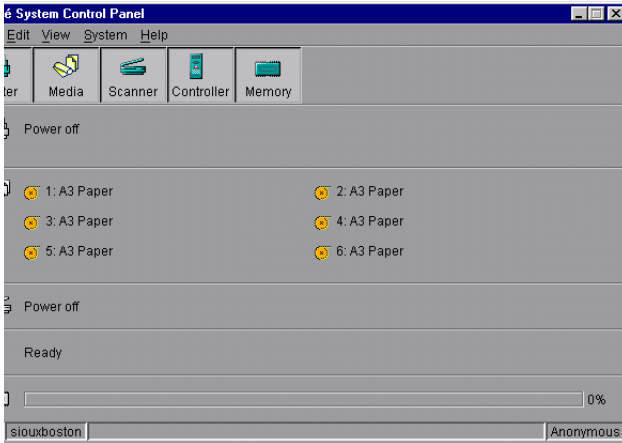
**The Scanner status display** Displays the current status of the scanner. Any error messages displayed on the scanner control panel will also appear in the scanner status window of the Océ System Control Panel.

**The set memory meter** Indicates how much of the set memory is filled. The information is displayed in the form of a meter which is divided into three zones:

- Green: safe, you have enough space left to print large jobs/many small jobs
- Orange: pay attention, you might reach the set memory limit soon
- Red: the set memory is (nearly) full; you should remove files or wait until files are printed and automatically removed or flushed from memory. No more print jobs are accepted. Copy jobs can still be made.

**Note:** *At the right of the set memory meter a percentage is displayed, indicating the amount of set memory currently being used.*

Below the Océ System Control Panel main window is displayed:



[42] Océ System Control Panel window

**Note:** You can hide the media by de-selecting it in the View menu option.

## Icons

The Océ TDS400 System Control Panel uses a number of icons to display information about the media available on the printer. The following icons are used:



The material is available and the roll is ready for printing.



The roll is disabled.



The roll is enabled but empty.

---

# User operations

The Océ System Control Panel allows you to perform the following operations:

- Make a demo print
- Print your system configuration
- Clear the system
- Shut down the system

## ▼ **Make a demo print**

- 1 Select the Demo print option in the System menu.  
A demo print is made on the printer.

## ▼ **Print your system configuration**

- 1 Select the Print settings option in the System menu.  
A list is printed of the current settings on the Océ Power Logic® Controller.

## ▼ **Clear the system**

- 1 Select the Clear system option in the System menu to delete all jobs.  
You can use this option in case of a corrupt job which can not be deleted with the help of the Océ Queue Manager.

**Note:** *This option is only available in repro operator, key operator and system administrator mode. In anonymous user mode it is not possible to clear the system.*

## ▼ **Clear the system on printer panel**

- 1 Press the 'on-line' key to put the printer off-line.
- 2 Select the 'System' item with the ◀ or ▶ key.
- 3 Press 'next/select' to enter the 'System' menu.
- 4 Select 'Clear setmem' with the ◀ or ▶ key.
- 5 Enter password
- 6 Press 'next/select' to enter the 'Clear setmem' menu.
- 7 Select the 'on' or 'off' with the ◀ or ▶ key.
- 8 Press 'on-line' to put the printer on-line again.

## ▼ **Shut down the system**

- 1 Select the Shut down option in the System menu to shut down the system.  
**Note:** *This option is only available in repro operator, key operator and system administrator mode. In anonymous user mode it is not possible to shut down the system.*





---

# Chapter 7

## Océ Power Logic®: Queue Manager

*This chapter describes how to view and manage jobs in the Océ TDS400 print queue, inbox queue, and history queue. It shows how to cancel the active print and how to delete the prints, how to hold the print jobs in the queue, how to restart the jobs, and how to move jobs to top.*



---

# Introduction

The Océ Queue Manager application provides you with a graphical representation of the print queue. It allows you to view the print queue and the status of the print jobs as well as to manage the jobs in the queue. With the Océ Queue Manager you can:

- Abort the job currently being printed
- Delete job(s) in the queue
- Put job(s) in the queue on hold
- Print jobs from the history queue
- Print jobs from the inbox queue
- Move job(s) to the top of the queue
- Restart job(s) that were previously put on hold in the queue

▼ **Start Océ Queue Manager on a remote workstation**

**Note:** *You must first install Océ Remote Logic® in 'Installation procedure for MS Windows® systems' on page 131.*

- 1 Select 'Océ Remote Logic®' via the 'Start' menu, or
- 2 Select the 'Launcher' application.
- 3 Select Océ Queue Manager. Océ Queue Manager starts.

**Note:** *To start more than one Océ Queue Manager, Océ System Control Panel or Océ Settings editor you can better use the Application Launcher.*

---

## Structure

The Océ Queue Manager window is divided into the following parts (see Figure 43 on page 124):

**The standard menu bar.** The menu bar for the Océ Queue Manager contains the following menus:

- File: Logon, Logoff, Connect to, Close
- Edit: set the default printer and 'Automatic logon'.
- View: selecting the language, switching between queues, and configuring the view of the queues.
- Help: About Océ Queue Manager, Contents of the help.

**The tool bar** The toolbar for the Océ Queue Manager contains the following icons: hold, resume, move to top, delete and print job(s).

**The active print job window.** This window displays the job currently being printed on the Océ TDS400.

**The print queue window.** This window has a tabular format and shows the jobs waiting to be printed. The jobs are displayed in the order in which they are expected to be printed.

**Note:** *Copy jobs can move in the queue, to take preference over print jobs. This depends on a setting in the Océ Settings Editor.*

**Inbox queue** The inbox queue contains print jobs which have been sent to the 'Inbox' on the controller. You can print these jobs, view the properties and delete these jobs.

**History queue** The history queue contains print and copy jobs which have been printed. You can print these jobs, view, edit some the properties and delete these jobs. You can set how long and how many jobs are kept in the history queue in the Océ Settings Editor.

**Note:** *You can not view the history queue and inbox queue at the same time. Select either the history queue or the inbox queue from view menu on the toolbar. They will be visible in the right pane of the Océ Queue Manager window.*

**Status bar** The Océ Queue Manager has a status bar displaying the following information:

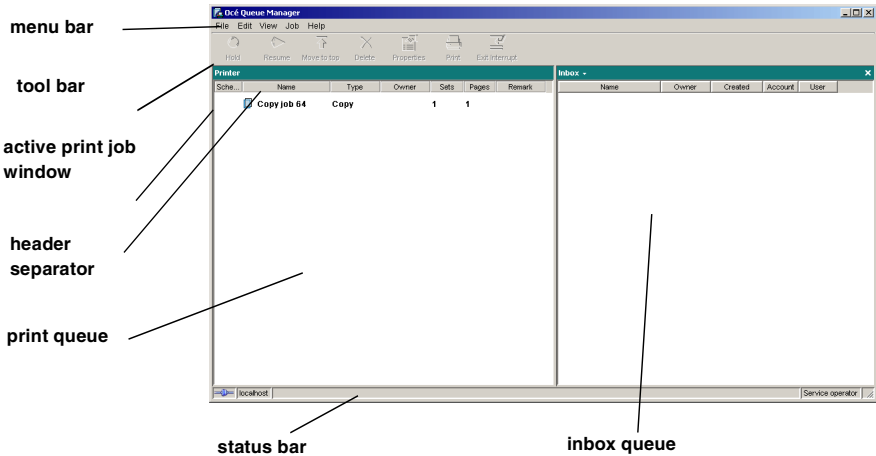
- System status (connected, not connected)
- The connected system
- The job status e.g. 'printing job.A0.hp'
- User mode

For each job the following information is displayed:

- The current status and schedule of the job in the form of an icon. See 'Icons' on page 126.
- The name of the print job.
- The type of job (print job / copy job)
- The name of the user who has submitted the print job.
- The number of sets and pages.
- Any remarks (e.g. 'Manual Feed').

You can resize the columns in the main queue window by dragging the table header separators. It is also possible to change the order of the columns by dragging a specific column to a new position.

**Note:** *You can sort the inbox and history. You can not sort the printer queue.*



[43] Océ Queue Manager window

## Modes

The Océ TDS400 Queue Manager has the following modes:

- Anonymous user mode
- Repro operator mode
- Key operator mode
- System administrator mode
- Service operator mode

These different modes are designed to limit access to the specific functions to authorized users only.

The anonymous user mode only offers view access to the queue. In this mode the buttons and menu items are disabled.

The repro operator, the key operator and the system administrator modes allow you to perform a number of activities on the jobs in the queue, with the help of

the Abort, Delete, Resume and Hold buttons. The service operator mode is meant for Océ technicians.

**Note:** *In the Océ Queue Manager and the Océ System Control Panel, the repro operator, the key operator and the system administrator have the same user rights. In the Océ Settings Editor, however, the user modes offer different rights.*

**Access** The access to the key operator, repro operator, system administrator modes and service operator is password protected to allow only authorized personnel to use particular functions. You can enter these modes by selecting the Logon option from the File menu and by specifying the correct password when prompted for it, (see ‘Log on’ on page 138).

From the ‘File’ menu, select ‘Close’ to exit the Océ Queue Manager.

**Job priority** The priority of print and copy jobs in the Océ Queue Manager is determined by the order in which they are submitted to the Océ TDS400. However, there is a setting in the Océ Settings Editor which allows you to give copy jobs priority over print jobs.

---

## Icons

The Océ TDS400 Queue Manager uses a number of icons to display information about a job in the queue. The following icons are used:



[44] Receiving/received the job



[45] Processing / processed the job



[46] Printing the job



[47] Delivering the job



[48] The delivered job



[49] The deleted job



[50] A job that requires manual feed



[51] The job is placed on hold by the user or the system.



[52] Attention, needs operator attention (e.g. a media request).

---

# Managing print jobs

## ▼ View the print queue

The Océ Queue Manager displays all jobs sent to the print queue in a list sorted according to the order in which they will be printed.

This ordering can be changed by:

- deleting jobs
- putting jobs on hold
- restarting jobs currently on hold
- moving jobs to top

This list will be automatically updated.

**Note:** *Queue operations can only be performed when you are properly authorized. Before you can use the Océ Queue Manager in a different mode, you first have to enter a password to get the required access. See 'User modes' on page 137.*

## ▼ Delete print jobs

- 1 Select the desired job(s) by clicking on them.

**Note:** *You can select a consecutive list of jobs to be deleted by clicking on the first job, holding down the Shift key and clicking on the last job. You can select a non-consecutive list of jobs to be deleted by clicking on each desired job while holding down the Ctrl key.*

**Note:** *To delete a job from a remote client, you need repro operator, key operator or system administrator rights.*

- 2 Click on the Delete button.

A cross icon is displayed in front of the job indicating it will be deleted. After the job is actually deleted, the job is removed from the queue.

**Note:** *Consider carefully before you use the Delete button. A delete operation cannot be undone.*

## ▼ Put print jobs on hold

- 1 Select the desired job(s) by clicking on them.

**Note:** *You can select a consecutive list of jobs to be put on hold by clicking on the first job, holding down the Shift key and clicking on the last job. You can select a non-consecutive list of jobs to be put on hold by clicking on each desired job while holding down the Ctrl key.*

- 2 Click on the Hold button.

**Note:** A job that is put on hold will retain its position in the print queue. Once it reaches the top of the queue, the job that is put on hold will stay there until it is restarted or deleted. While a job is on hold, other jobs will be printed, even when they were behind the job on hold in the queue. The active job and the jobs in printing state can not be put on hold by the Océ Queue Manager.

▼ **Restart jobs that are put on hold**

- 1 Select the desired job(s) by clicking on them.

**Note:** You can select a consecutive list of jobs to be restarted by clicking on the first job, holding down the Shift key and clicking on the last job. You can select a non-consecutive list of jobs to be restarted by clicking on each desired job while holding down the Ctrl key.

- 2 Click on the Resume button.  
The selected job(s) will now be restarted.

▼ **Move jobs to top**

- 1 Select the desired job(s) by clicking on it/them.
- 2 Click on the 'Move to top' button on the toolbar.

If more than one job is selected then the first selected job will be on top, the second will be on top, the second below that one and so on.

▼ **Reprint jobs from the History queue.**

- 1 Select the desired job(s) by clicking on it/them.
- 2 Click on the 'Print' button on the toolbar.

▼ **Change number of sets in the history queue**

- 1 Select the desired job(s) by clicking on it/them.
- 2 Click on the 'Properties' button on the toolbar.
- 3 Select number of sets in the menu window



---

# Chapter 8

## Océ Power Logic®: Remote Logic

*This chapter describes how to install and use Océ Remote Logic®.*



---

# Introduction

Océ Remote Logic® enables you to:

- View system status (Océ System Control Panel).
- Manage print jobs (Océ Queue Manager).
- Change settings (Océ Settings Editor).

For more information see 'Use Océ Remote Logic®' on page 136

---

# Installation procedure for MS Windows® systems

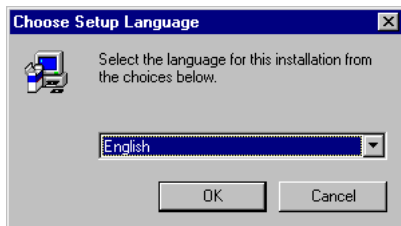
Before you install Océ Remote Logic®, you must take note of the following minimum system requirements for the remote system. The system must be a Pentium® 233 with 32 Mb RAM running Windows® 95, 98, NT® (service pack 3) Windows® 2000 or Windows® XP, Contact your local Océ organisation for more possible systems.

Océ Remote Logic® (Queue Manager, System Control Panel and Settings Editor) are on the Océ TDS400 CD-ROM and on the Océ Power Logic® Controller CD-ROM provided with the system. The installation procedure for Remote Logic® is quite simple and self-explanatory. When you select the ‘Install remote applications’ option on the CD-ROM, a Wizard starts to guide you through the installation process. When the installation process is complete you do not have to restart your system.

**Note:** *Océ Remote Logic® only works when TCP/IP is enabled on your system. Refer to your system administrator for assistance with the installation procedure for TCP/IP.*

▼ **Install Océ Remote Logic®**

- 1 Insert the Océ Remote Logic® CD-ROM or the Océ Power Logic® Controller CD-ROM into the CD-ROM drive of your PC.
- 2 Select the ‘Install remote applications’ option.  
The installation Wizard starts, and asks to select a setup language.



[53] Choosing a setup language

- 3 Indicate the required language and click 'OK'.
- 4 Follow the instructions on screen to complete the installation of 'Océ Remote Logic'.

When the installation is complete, you can start the applications by selecting them from the specified folder in the 'Start' menu.

To work with the applications you first have to connect to an available Océ TDS400 machine. How to connect is described in 'How to use the remote system' on page 143.

If you plan to work with more than one of the available remote applications, you are advised to use the "Applications Launcher", because this uses less system resources than the individual applications.

---

# Installation procedure for Unix systems

Océ Remote Logic® is set up to be platform independent. It runs on a variety of operating systems providing that a Java™ runtime environment is available for that platform. The Java™ runtime environment must be installed by a user with system administrator privileges, depending on Java™ Virtual Machine (VM). It is also assumed that Océ Remote Logic® is installed by an experienced user.

<b>UNIX versions and the required JRE</b>			
UNIX version	OS version	JRE	Default installation directory
IBM AIX	4.1.5	1.1.6	/usr/jdk_base
IBM AIX	4.2.1	1.1.8	/usr/jdk_base
IBM AIX	4.3.3 + fix	1.2.2	/usr/jdk_dev2
IBM AIX	4.3.3.10 + fix	1.3.0	/usr/jdk_java130
SUN Solaris	2.6	1.1.6	
HP-UX	10.20 / 11 / 1.1.8	1.1.3	
LINUX	1.0	1.1.3	
LINUX	1.2	1.1.8	
<b>Note:</b> OS = Operating System, JRE = Java™ Runtime Environment			

[54]

## ▼ Install Océ Remote Logic®

- 1 Check if a Java™ runtime environment (JRE) is installed on the system. The preferred version is JRE 1.1.8. Below you can find some links to JRE's for various UNIX platforms.
- 2 Unpack the contents of the file 'RemoteLogic\_vX.tar', from the directory Products/remotelogic/UNIX, to a subdirectory on the system.
- 3 Use 'tar xvf RemoteLogic\_vX.tar' to unpack.
- 4 Set the environment variable 'RL\_VM\_HOME' to point to the installation of the JVM.
- 5 Run the file 'remotelogic' with the applications as parameters. (e.g. remotelogic QM SCP SE to start the three applications), or use 'remotelogic AL', for the application launcher.

**Note:** *If you do not supply any options, a short help text is displayed.*

---

## IBM AIX

For the various versions of IBM AIX, Java™ runtime engines can be downloaded from:

<http://www.ibm.com/java>

The preferred version of the Java™ runtime engine for use with Océ Remote Logic® is the 1.1.8 version.

---

## HP-UX

For HP-UX 10.20 and 11.00 the runtime engine can be downloaded from:

<http://www.unix.hp.com/java>

The preferred version of the Java™ runtime environment for HP-UX 10.20 and HP-UX 11.00 is version C.01.18.xx.

---

## Linux

IBM has a runtime engine available for Linux which can be downloaded from:

<http://www.ibm.com/java>

---

# Installation procedure for Other systems

In general, Océ Remote Logic® can run on any system with a Java™ VM.



## **Steps to install Océ Remote Logic® in general**

- 1 Install Java™ Virtual machine (preferred 1.1.8 (or higher)).
- 2 Extract 'RemoteLogic\_vX.tar' or 'RemoteLogic\_vX.zip', from the Océ Remote logic® CD-ROM.
- 3 Set the environment variable RL\_VM\_HOME to point to the Java™ VM installation directory.
- 4 If needed, edit the remote logic script or batch file.
- 5 Use remotelogic script or batch file to start the applications.

---

# Use Océ Remote Logic®

Océ Remote Logic® enables you to:

- View the system status (Océ System Control Panel).
- Manage print jobs (Océ Queue Manager).
- Change settings (Océ Settings Editor).

Océ Remote Logic® has five different user modes. These user modes are meant to limit access to the special functions to authorised users only. Log on to get access to one of the user modes.

Change the display language, to operate Océ Remote Logic® in the language of your selection. refer to the on-line help for information on how to do this.

The Océ Remote Logic® applications can operate separately. If you start the applications separately, you have to log on and select a language in each application. If you start the applications via the 'Application Launcher', the language is selected automatically.

**Note:** *The default language is English US.*

Start the Océ TDS applications via the 'Start' menu or via the 'Application Launcher' application.

## ▼ **Start Océ Remote Logic® on a remote workstation**

- 1 Select 'Océ Remote Logic' via the 'Start' menu.
- 2 Select 'Application Launcher'.
- 3 Select the required application from the 'Application Launcher'.



---

# User modes

The following user modes are available:

- Anonymous user mode
- Repro operator mode
- Key operator mode
- System administrator mode
- Service operator mode

The anonymous user mode only offers monitoring capabilities. You are not allowed to change anything.

The repro operator, the key operator and the system administrator modes allow you to perform a number of user actions.

In the Queue Manager and the System Control Panel the repro operator, the key operator and the system administrator have the same user rights. The repro operator, the key operator and the system administrator modes allow you to perform a number of activities on the jobs in the queue, with the help of the Abort, Delete, Resume and Hold buttons.

In the Settings Editor, however, the user modes offer different rights. In repro operator mode, the operator is allowed to only view settings in the key operator and system administrator views.

In key operator mode, the operator is allowed to view and change settings in the key operator view. The key operator is also allowed to view system administration settings, but is not able to change them.

In system administrator mode, the operator is allowed to view and change settings in the system administrator view. The system administrator is also allowed to view key operator settings, but is not able to change them.

The service operator mode is meant for the Océ technician.

When you are not authorised to perform a certain action, the action is grayed out.

**Note:** *The status bar at the bottom displays the active user mode.*

---

## Log on

The access to the key operator, repro operator, system administrator and service operator modes is password protected to allow only authorised personnel to use particular functions.

The default password for the System Administrator is: SysAdm.

The default password for the Key Operator is: KeyOp.

The default password for the Repro Operator is: ReproOp.

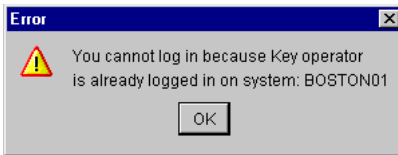
**Note:** *The default passwords are case sensitive. Change the passwords after your first log on.*

### ▼ How to log on

- 1 From the 'File' menu, select 'Log on'.
- 2 Select the correct user name.
- 3 Enter the Password.
- 4 Click 'OK'.

**Note:** *You must log on into each application separately.*

Log on is restricted to one user only. When a second user attempts to log on an error message will appear (see figure below).



[55] When a second user attempts to log on an error message will appear

---

## Log off

You have to log off to leave the key operator, repro operator and system administrator modes.

### ▼ How to log off

- 1 From the 'File' menu, select 'Log off'.  
You return to anonymous user mode.

**Note:** *You must log off from each application separately.*

---

## To change the password

You can change your password on a standard base. You can change the password for each user mode (except anonymous user mode, for which no password is required and service operator) by taking the following steps:

▼ **Change the password**

- 1 From the 'File' menu, select 'Log on'.
- 2 Click the 'Password' button.
- 3 Select the correct username in the 'Username' drop-down list box.
- 4 Enter the old password in the 'Password' text box.
- 5 Enter the new password in the 'New password' text box.
- 6 Enter the new password in the 'Confirm new password' text box and click 'OK' to confirm the new password.

---

## Automatic logon

If you do not want to log on each time you start an application, you can select the automatic logon function. This option allows you to start an application automatically in the indicated user mode.

▼ **Enable automatic log on**

- 1 From the 'Edit' menu, select 'Options'.  
The Options window appears.
- 2 Select the 'Enable automatic logon' check box.
- 3 Select the correct user mode and enter your password for that user mode.
- 4 Click 'OK'. Automatic logon is now enabled.

---

## Language

From the 'View' menu, select 'Language', to select one of the supported languages.

**Note:** *The check mark in front of the language indicates that this is the active display language.*

### ▼ Set the languages

- 1 From the 'View' menu, select 'Language'.  
You have to change the display language setting in the Settings Editor, to change the languages in the scanner and printer operator panels, and in the local applications.

---

## Help

### ▼ Display help information

- 1 Open the 'Help' menu and select 'Contents'.  
Now you can find help for all functions of the Océ Remote Logic® applications.

---

## Command line parameters

In order to start the remote applications faster, there are 6 command line parameters available.

**configfile=<config\_file>** Sets the configuration file to use.

**server=server** Sets the specified server as the server to connect to.

**language1=lang** Specifies the first language in combination with the parameter 'country1=country'.

**country1=country** Specifies the first language in combination with the parameter 'language1=language'.

**language2=lang** Specifies the second language in combination with the parameter 'country2=country'.

**country2=country** Specifies the second language in combination with the parameter 'language2=language'.

**Note:** *You must always use a matching combination of 'lang' and 'country' (see table on page 141).*

<b>Language</b>		
Language	Language parameters	Country
Danish	da	DK
Czech	cs	CZ
Spanish	es	ES
Finnish	fi	FI
Hungarian	hu	HU
Italian	it	IT
US English	en	US
UK English	en	GB
Dutch	nl	NL
German	de	DE
French	fr	FR
Portuguese	pt	PT
Norwegian	no	NO
Swedish	sv	SV
Polish	pl	PL
Chinese traditional	cn	TW
Chinese simplified	cn	CN
Japanese	ja	JP

[56]

The parameters can be applied to the following applications:

- QM.exe (Océ Queue Manager)
- SCP.exe (Océ System Control Panel)
- SE.exe (Océ Settings Editor)
- AL.exe (Application launcher)

**Note:** *These.exe files are usually located in 'C:\Program Files\Remote Logic\Bin'.*

The easiest way to do this is by creating a short-cut of an application and then add the command line properties.

**Example command line parameter** Below is an example of how to start the Océ Remote Logic® applications with the configuration file 'Myconfig.cfg', connected to the 'My9600' server. The first language is set to US English and the second to French:

```
'C:\Program Files\Remote Logic\Bin\AL.exe -configFile=Myconfig.cfg  
server=My9600 language1=en country1=US language2=fr country2=FR'
```

---

# How to use the remote system

Start up the Océ Remote Logic® applications (Océ Settings editor, Océ Queue manager, Océ System control panel), on a remote client after you installed the software (see ‘Installation procedure for MS Windows® systems’ on page 131). In order to use the functionality you first have to add an Océ Power Logic® controller and then connect to an available Océ Remote Logic® controller.

## ▼ **Add an Océ Power Logic® controller**

- 1 Open the ‘File’ menu and select ‘Connect to’.  
A dialog box will appear with a drop-down list box containing the already added Océ Remote Logic® systems.
- 2 Click ‘Edit...’. The ‘Edit systems’ dialog box appears.
- 3 Enter the IP address or the name of the Océ Remote Logic® system you want to connect to, in the ‘Systems’ text box.
- 4 Click ‘Add’. The system is added to the list. You can add as many systems.  
**Note:** *You can also remove an Océ Remote Logic® system. Select one in the list and click ‘Remove’.*
- 5 Click OK twice to return to the application.

**Note:** *Before you can add an Océ Remote Logic® system, the system has to be installed and configured by a system consultant or a technician.*

## ▼ **Connect to an Océ Power Logic® controller**

- 1 Open the ‘File’ menu and select ‘Connect to’.  
A dialog box will appear containing a drop-down list box with the available systems.  
Select one of the available systems and click on ‘OK’. When you connect to another system, all settings have to be retrieved. This may take some time.





---

# Chapter 9

## Océ Account Center

*This chapter describes what Account logging is and how to use it.*



---

# Introduction

Océ Account Center is an application to manage the account information of the print, copy and scan-to-file jobs. Océ Account Center consists of the following two applications:

- **Océ Account Logic.**  
Océ Account Logic requests the operator and the user to enter account information. The operator can enter the account information at the Océ Power Logic® controller for the copy and scan-to-file jobs. The user can enter the account information at the workstation for the print jobs. Océ Account Logic runs on the Océ Power Logic® controller and is available through Internet browser (see ‘Océ Account Logic’ on page 147).
- **Océ Account Console.**  
Océ Account Console provides options to manage the account information. The system administrator uses Océ Account Console to define the contents of the account information in the dialog boxes at the Océ Account Logic application. Océ Account Console runs on the workstation of the system administrator. Access to Océ Account Console application is password protected and limited to the system administrator (see ‘Océ Account Console’ on page 149).

---

# Océ Account Logic

---

## Introduction to Océ Account Logic

Use Océ Account Logic to link account information to your job. The account information requirements are defined and managed by the system administrator. Use Océ Account Logic for the following.

- Enter the account information for the print jobs
- Manage print jobs that do not have valid account information
- Enter account information for the copy and scan-to-file jobs
- Lock and unlock the scanner
- Administer Océ Account Logic (administrators only).

---

## Océ Power Logic<sup>®</sup> controller setup

Before you begin to use Océ Account Logic, you must define the correct settings in the Océ Settings Editor.

System setting	Reference on	Path in Settings Editor
KO - System - Enabling passwords - Advanced Queue Manager	Use the correct password to enable the 'Advanced Queue Manager'	Advanced Queue Manager adds the 'Inbox' feature to the Océ Queue manager. Océ Account Logic requires that you use the 'Inbox'.
KO - System - Enabling passwords - Account logging	Use the correct password to enable account logging.	Before you can use Océ Account Logic, enable account logging on Océ Power Logic <sup>®</sup> controller

System setting	Reference on	Path in Settings Editor
KO - System - Job management - Print jobs	Select 'Jobs in inbox'.	Océ Account Logic requires that all jobs are send to the 'Inbox'. <b>Note:</b> The print jobs that have valid account information are automatically moved from the Inbox to the Print queue. Enter the account information for the print jobs that do not have valid account information on the 'Print' tab of Océ Account Logic.
KO - System - Job management - Rights for printing	Select 'Special user'.	Océ Account Logic is a special user on the Océ Power Logic® controller.
KO - Scanner - Settings - Timers - Panel timeout	Océ advises you to set the panel timeout to the minimum value (30 seconds).	When the check box 'The scanner locks when the scanner panel timeout expires' is checked in the 'Define the account information requirements for the jobs' section of the administration window, the user is required to unlock the scanner for the copy jobs and scan-to-file jobs. The scanner locks when the scanner panel timeout expires.

**Note:** Please consult the Océ Account Center user manual and the on-line help in the application for detailed information.

---

# Océ Account Console

---

## Introduction to Océ Account Console

Océ Account Console is installed on a PC that functions as a server. Access to Océ Account Console is password protected and limited to the administrator. Use Océ Account Console for the following.

- Manage, preview, and publish the account information dialog for Océ Account Logic
- Retrieve and export the log files.

---

## Summary of Océ Account Console

Océ Account Console has the following three sections.

- The 'Account fields' tab  
Use this tab to create, manage, preview, and publish the 'Account information' dialog for Océ Account Logic.
- The 'Account data' tab</ptxt>  
Use this tab to define the devices from where the log files are retrieved.  
Use this tab to export the log files.
- The 'Administration' window.  
Use this screen to define the administrative settings for the application, and to change the password for Océ Account Console.

**Note:** *Please consult the Océ Account Center user manual and the on-line help in the application for detailed information.*



---

# Chapter 10

## Printer Supplies and Maintenance

*This chapter describes how to:*

- Load media
- Refill toner and replace the waste toner bag
- Clean the glass platen and the reference roller of the scanner
- Clean the reinforcement unit



---

# Media

The Océ TDS400 is available with a roll unit for one or two rolls.

Each of the rolls on the Océ TDS400 can be loaded with print material of a different size or type. The size and type of the available media are indicated on the operator panel.

---

**Attention:** *When you load new print material, you must tell the system the size of the material and the type of print material (paper, transparent, or polyester). Refer to ‘Media type and size on the printer’ on page 29.*

The definition of the size and type of the new print material is required to:

- Enable the automatic media switch function to work correctly.
- Support auto format functions.

---

## The paper rolls

When a roll is empty during a print job, a ‘Roll empty’ message is displayed at the printer operator panel and on the Océ System Control Panel application. You then have to load a new roll of print material.

**Note:** *You can use the following media for the Océ TDS400:*

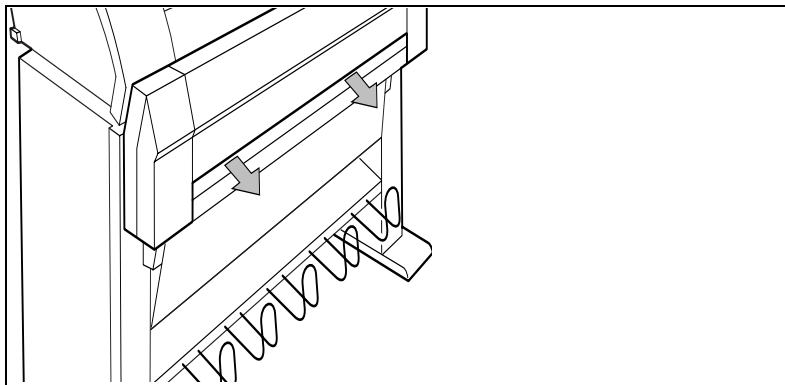
- Plain paper 64 g/m2 (55 g/m2)
- Plain paper 75 g/m2 (110 g/m2)
- Biotop paper 80 g/m2
- Green label 80 g/m2
- Recyonomic 80 g/m2
- Transparent paper 75 g/m2
- Transparent paper 90/95 g/m2 (80/85 g/m2)
- Transparent paper 110/115 g/m2
- Translucent 60 g/m2
- Vellum 20 lbs (16 lbs)
- Film 3.5 mil (4 mil)
- Film 4.5 mil



## Reload paper

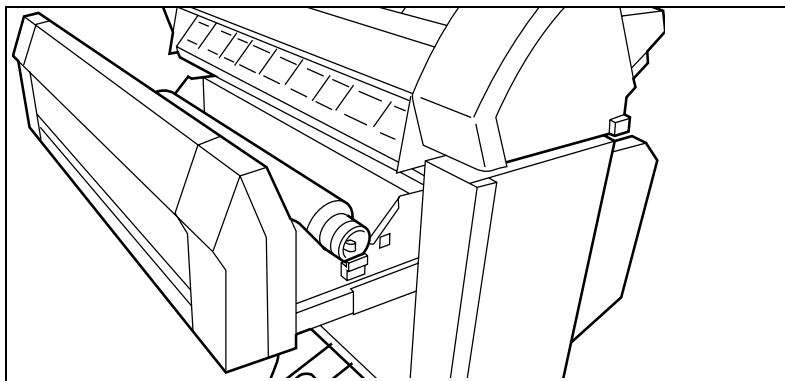
### ▼ How to load roll 1

- 1 Open the drawer completely (see Figure 57).



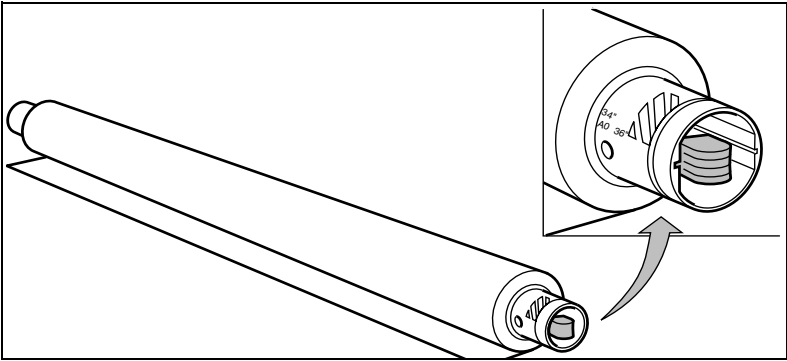
[57] Open the drawer

- 2 Remove the roll holder from the drawer (see Figure 58).



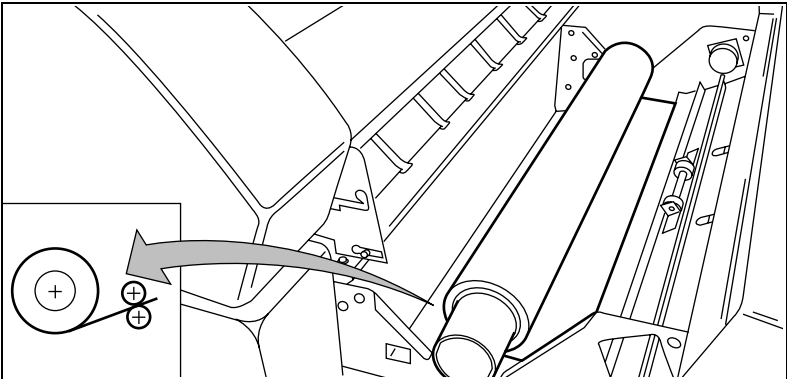
[58] Removing the roll holder from the drawer

- 3 Remove the empty core from the roll holder while pressing the knob (see Figure 59).
- 4 Slide the roll holder in the new roll of material while pressing the knob (see Figure 59). The knob must be at the right hand side and paper must be positioned as shown in figure 59.



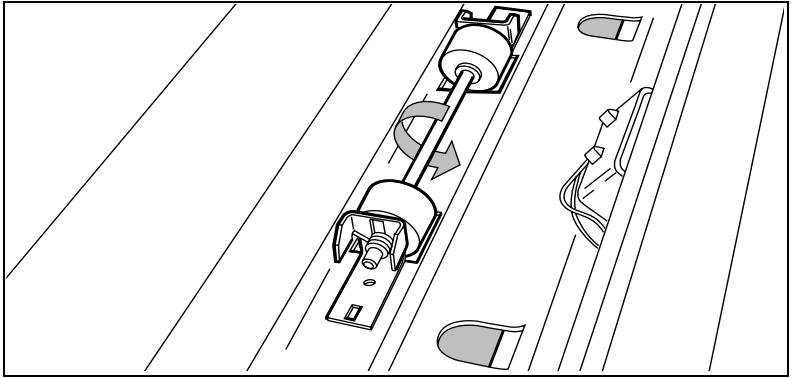
[59] Press the knob

- 5 Align the roll with the appropriate lines on the roll holder while pressing the knob. This line has to be completely visible.
- 6 Place the roll holder with the material in the drawer (see Figure 60).



[60] Reposition the roll

- 7 Feed the material between the input guide plates against the rollers.
- 8 Turn the rollers until the material is visible (see Figure 61). Also refer to the sticker inside the drawer.



[61] Feed the material

- 9 If you have inserted a roll with another material or with a different width, you have to program the correct width and material type (refer to 'Media type and size on the printer' on page 29).

If you want to cut the paper to get a straight leading strip refer to 'Cut media' on page 32.

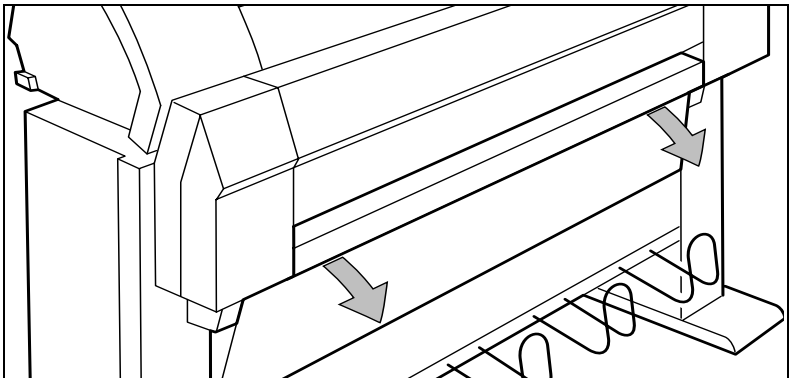
Otherwise continue with the next step.

- 10 Close the drawer.
- 11 Press the On-line key.



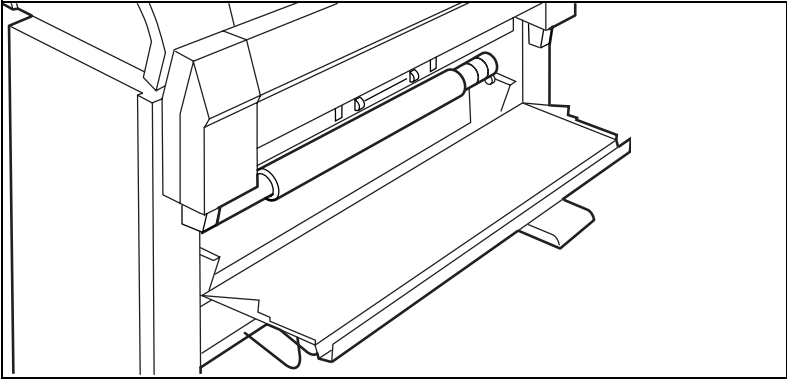
#### How to load roll 2

- 1 Open the cover to get access to roll 2 (see Figure 62).



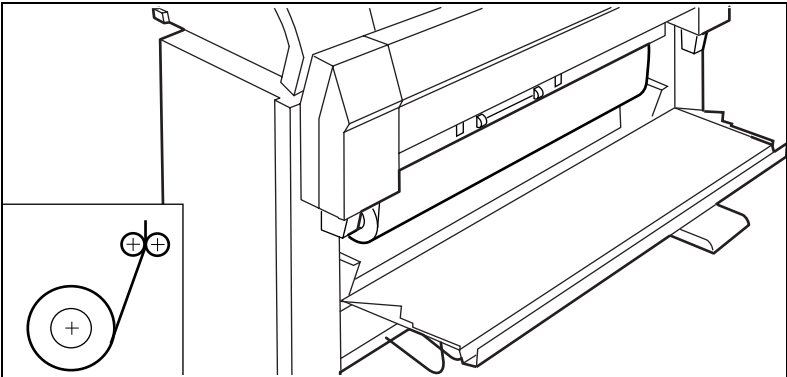
[62] Open the lower paper drawer

- 2 Remove the roll holder (see Figure 63).



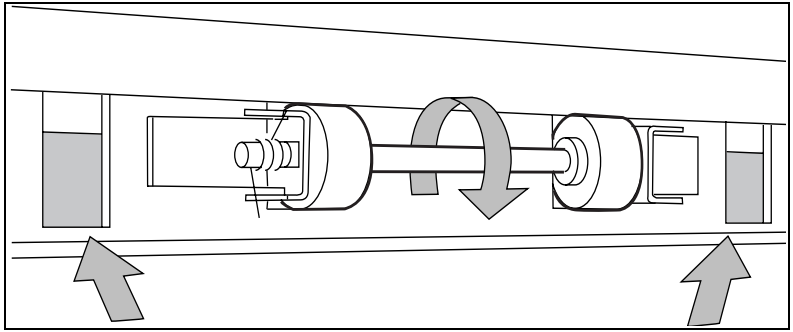
[63] Remove the roll holder from the lower paper drawer

- 3 Remove the empty core from the roll holder while pressing the knob (see Figure 59 on page 154).
- 4 Slide the roll holder in the roll of print material while pressing the knob (see Figure 59 on page 154).  
It is important to have the knob at the right hand side and the paper as shown in figure 59.
- 5 Align the roll with the appropriate lines on the roll holder while you press the knob.  
Place the roll holder with the material in the lower paper compartment (see Figure 64).



[64] Reposition the roll in the lower paper drawer

- 6 Feed the material between the input guide plates against the rollers. Turn the rollers until the material is visible (see Figure 65). Also refer to the sticker inside the drawer.



[65] Feed the material

If you want to cut the paper to get a straight leading strip refer to ‘Cut media’ on page 32.

Otherwise continue with the next step.

- 7 Close the lower paper compartment.
- 8 Press the On-line key.

## How to program media settings

If you insert a new roll with another material or with a different width, set the new roll specifications.

<b>The width of the material</b>	
Material	Size
A0	841 mm
A1	594 mm
A2	420 mm
A3	297 mm
E	86.36 cm
D	55.88 cm
C	43.18 cm
B	27.94 cm
E+	91.44 cm
D+	60.96 cm
C+	45.72 cm
B+	30.48 cm
76.20 cm	76.20 cm
B1	707 mm
<b>Note:</b> The default is 36 inch	

**Note:**

<b>The width of the material</b>	
B2	500 mm
700	700 mm
<b>Note:</b> The default is 36 inch	

**Note:**

The material paper, transparent, transparent 110g, vellum, film, film 4,5, translucent. Set the material type according to the following table:

<b>Material properties</b>		
Material	Weight	Media Setting
Plain paper	64 g/m <sup>2</sup> (55 g/m <sup>2</sup> )	Paper 64g
Plain paper	75 g/m <sup>2</sup> (110 g/m <sup>2</sup> )	Paper 75g
Biotop paper	80 g/m <sup>2</sup>	Paper 75g
Green label	80 g/m <sup>2</sup>	Paper 75g
Recyonomic	80 g/m <sup>2</sup>	Paper 75g
Transparent paper	75 g/m <sup>2</sup>	Transparent 75g
Transparent paper	90/95 g/m <sup>2</sup> (80/85 g/m <sup>2</sup> )	Transparent 75g
Transparent paper	110/115 g/m <sup>2</sup>	Transparent 110 g
Translucent	60 g/m <sup>2</sup>	Translucent
Vellum	20 lbs (16 lbs)	Vellum
Film	3.5 mil (4 mil)	Film 3.5
Film	4.5 mil	Film 4.5

[66]

**Note:** *if you have a folder the media setting 'Paper 110 g' is also available.*

---

# How to refill toner

If the 'Refill toner' message appears on the printer panel, you must refill toner immediately.

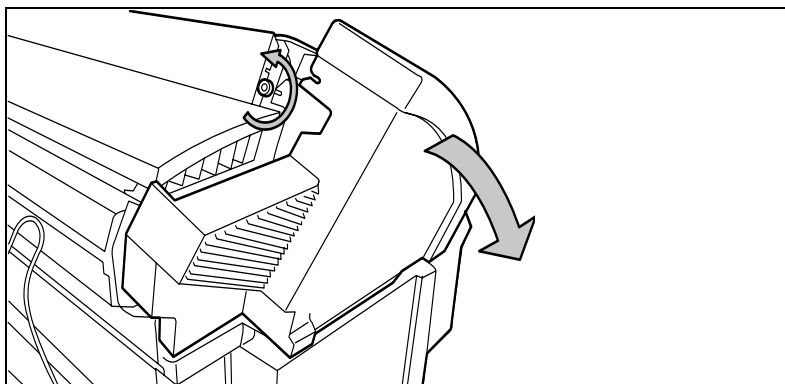
---

**Attention:** *Use only B5 toner.*



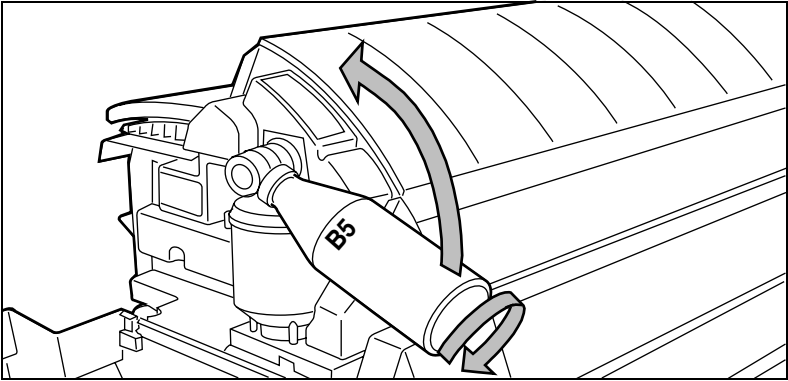
## Refill toner

- 1 Turn off the printer.
- 2 Unscrew the knurled nut at the left hand side of the printer and open the left cover (see Figure 67).



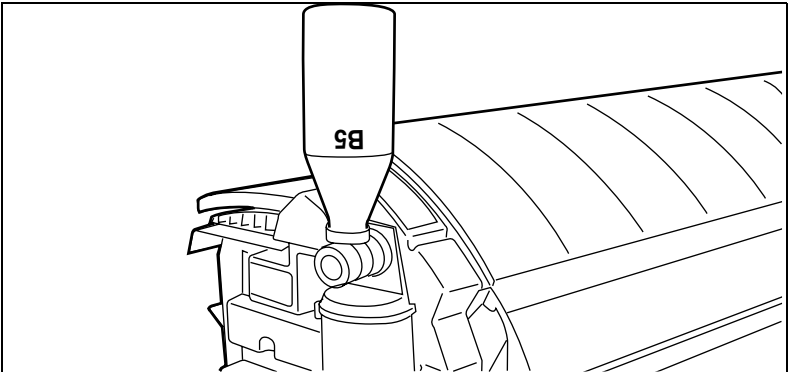
[67] Unscrew the knurled nut and open the cover

- 3 Shake the toner bottle thoroughly and open the bottle.
- 4 Screw in the bottle clockwise in a slanted position (see Figure 68).



[68] Screw in the bottle

- 5 Move the toner bottle to a vertical position (see Figure 69).

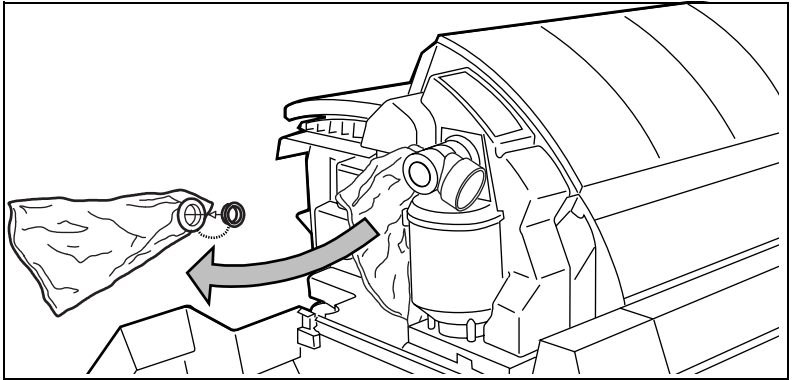


[69] Add toner

- 6 Tap the toner out of the bottle.
- 7 When the toner bottle is empty return the bottle to the original position.
- 8 Unscrew the toner bottle anti clockwise.

- ▼ **Replace the waste toner bag**
- 9 Pull the waste toner bag from the holder and place the cap provided on the bag (see Figure 70).





[70] Replace the waste toner bag

- 10 Slide a new waste toner bag over the holder.
- 11 Close the cover and tighten the knurled nut.
- 12 Press the On-line key to resume printing.

**Note:** *Replace the toner waste bag, every time you refill the toner.*

---

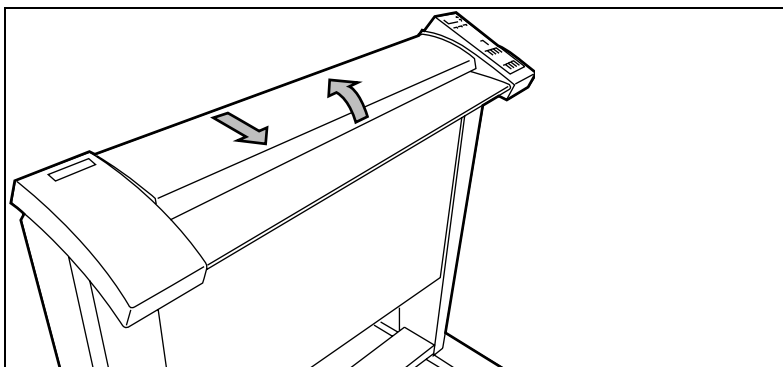
# Clean the glass platen and the reference roller of the scanner

If the glass platen of the scanner is dirty or static, it should be cleaned to ensure top quality copies are produced. At the same time you can clean the white reference roller.

**Attention:** *When you clean the reference roller, be careful not to damage the sensors on the scanner*

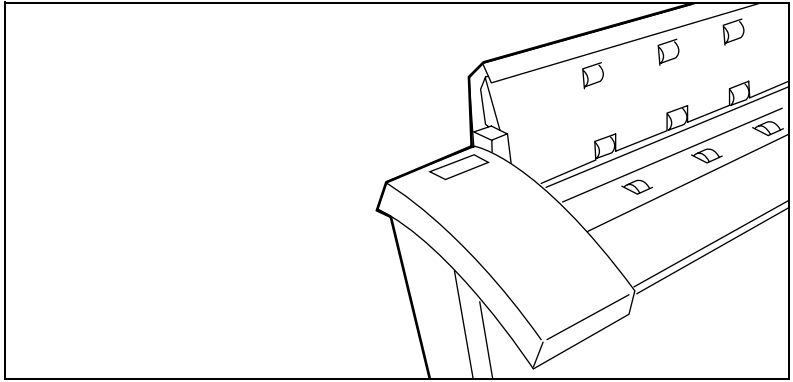
## ▼ How to clean the glass platen and reference roller

- 1 Switch off the scanner.
- 2 Unlock the top cover by pushing the front side of the cover down and pulling it towards.



[71] Open the top cover of the scanner

- 3 Raise the cover (see Figure 72 on page 163).
- 4 Clean the glass platen and the white pressure platen gently with a soft cloth moistened with a small quantity “Cleaner A”.  
For safety information see the safety data sheet in Appendix B.



[72] Glass platen and reference roller

- 5 Lower the top cover.
- 6 Lock the cover by pushing the front side of the cover down and pushing it back to the rear until you hear a click.  
**Note:** *Make sure that the cover is closed correctly, to ensure proper original transport.*
- 7 Switch on the scanner.

---

# Maintenance of the reinforcement unit

This section covers maintenance activities for the optional reinforcement unit of the folder, such as:

- Insert a new tape roll
- Empty the waste box
- Clean the reinforcement knives

---

**Attention:** *To avoid damage to the reinforcement unit, only use the original reinforcement strips from Océ.*

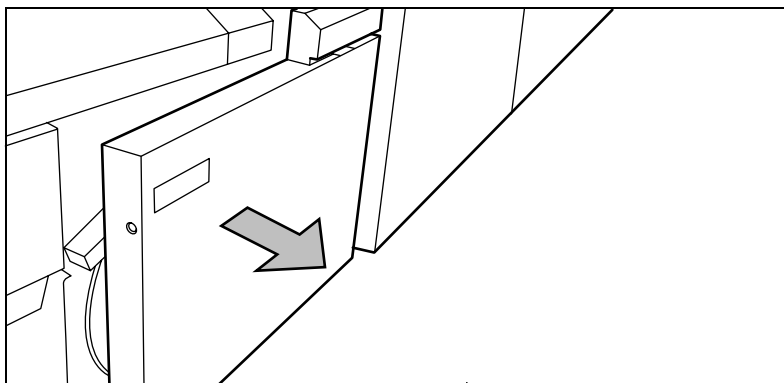
---

## Insert a new tape roll

When the tape roll is empty while the printer is in stand-by, the following message will appear on the display: 'RU tape empty'. Open the reinforcement unit and replace the empty tape roll.

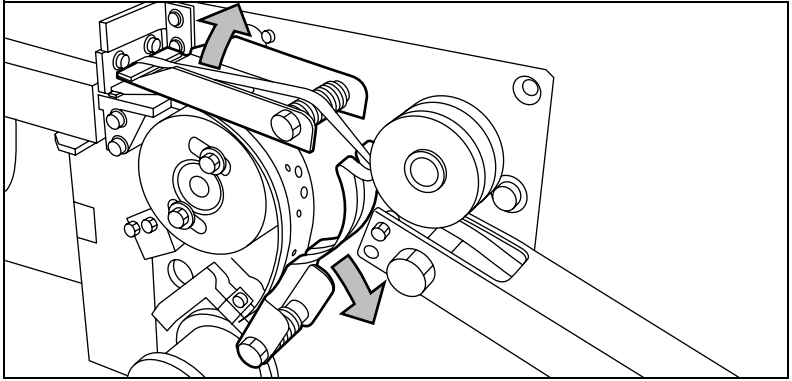
▼ **How to remove an empty tape roll**

- 1 Open the side door of the reinforcement unit (see Figure 73).



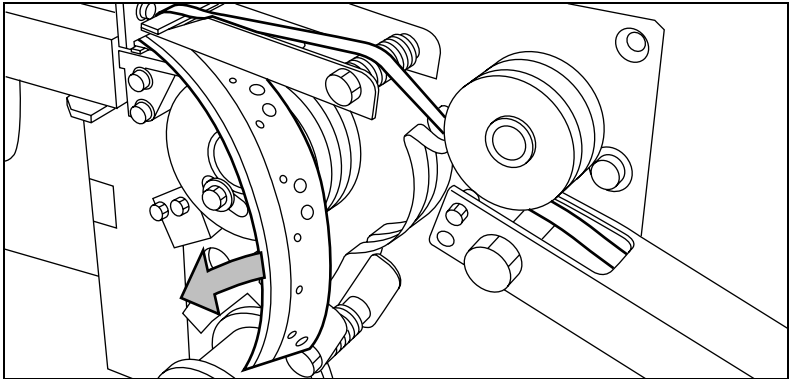
[73] Opening the side door of the reinforcement unit

- 2 Turn the two guide plates away from the pin roller and lock them into their open position (see Figure 74).



[74] Opening the guide plates

- 3 Remove the trailing strip of the old tape (see Figure 75).



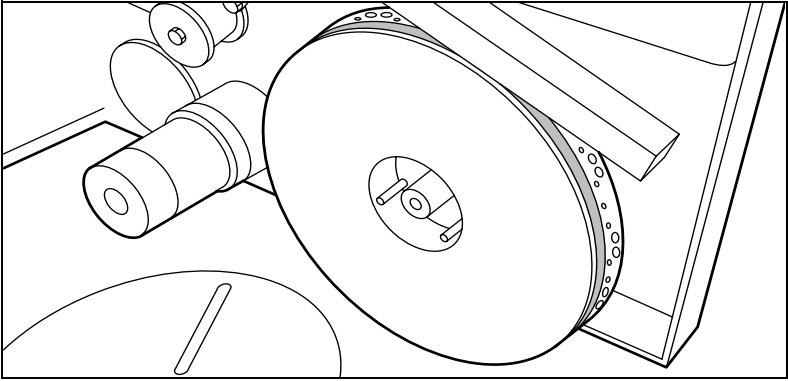
[75] Removing the trailing strip of the old tape

- 4 Open the front side plate of the roll holder by unscrewing the green knurled nut and remove the old kernel.

**Note:** Clean the reinforcement knives before you put in a new roll. See 'Clean the reinforcement knives' on page 172 for more information.

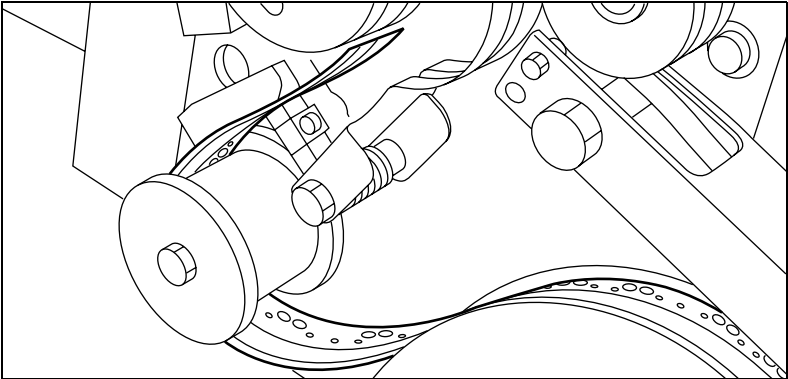
▼ **How to insert a new tape roll**

- 1 Place the new roll and close the side plate. Make certain that the roll is placed with the holes to the back and the protection sheet to the front (see Figure 76).



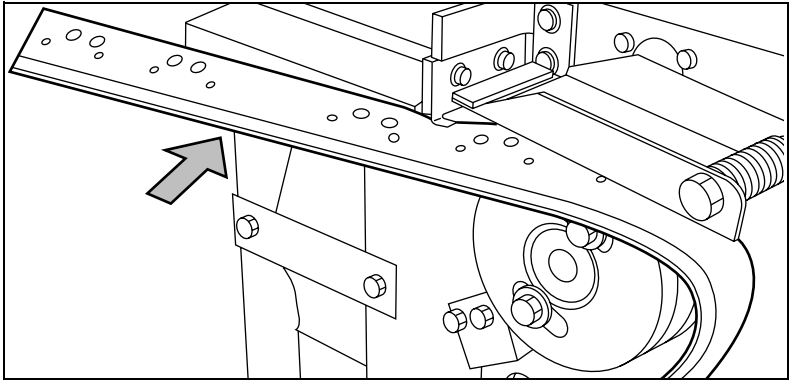
[76] Placing the new roll

- 2** Detach the end of the roll and lead the tape over the large guide roller (see Figure 77).



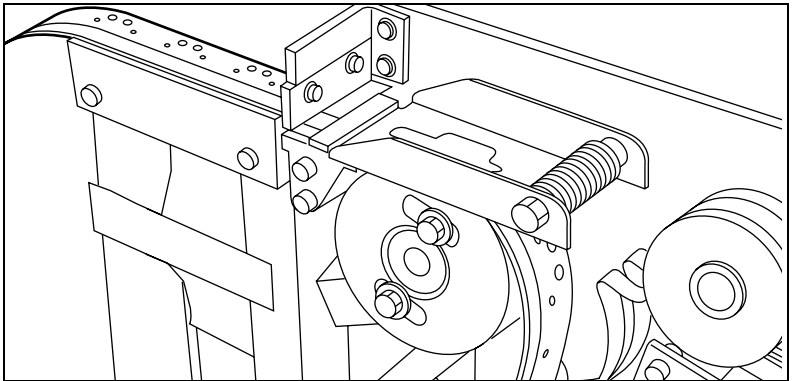
[77] Guiding the tape around the guide roller

- 3** Lead the tape between the upper and lower knife and over the pin roller (see Figure 78).



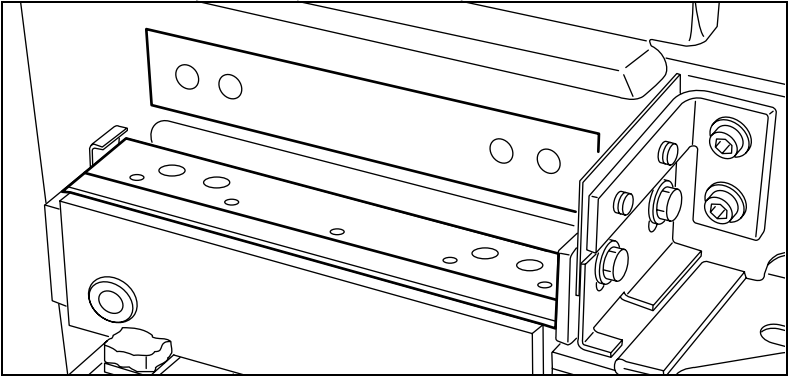
[78] Leading the tape between upper and lower knife

- 4 Make certain that at least 200 mm (2 strip lengths) of tape protrude from the knife section (see Figure 79).



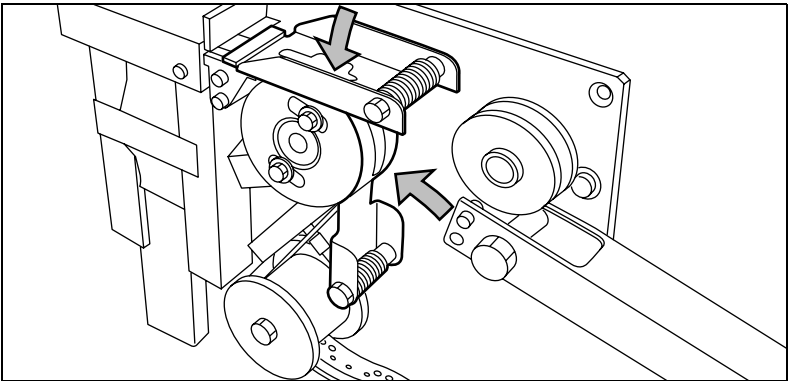
[79] Protruding tape

- 5 The holes in the tape must be aligned with the hole pattern on the sticker you can find on the frame plate of the reinforcement unit (see Figure 80). If this is not the case, you lift the tape from the pin roller and push the tape further between the two knives until the holes are aligned.



[80] Adjusting the holes on the tape

- 6 Close the guide plates of the pin roller (see Figure 81).

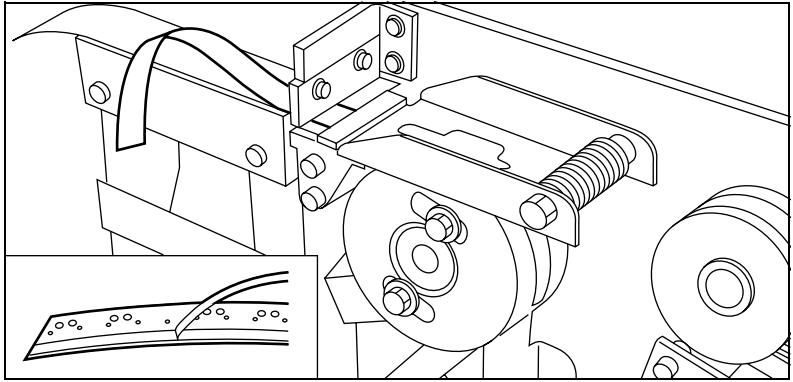


[81] Closing the guide plates

▼ **How to prepare the tape roll for operation**

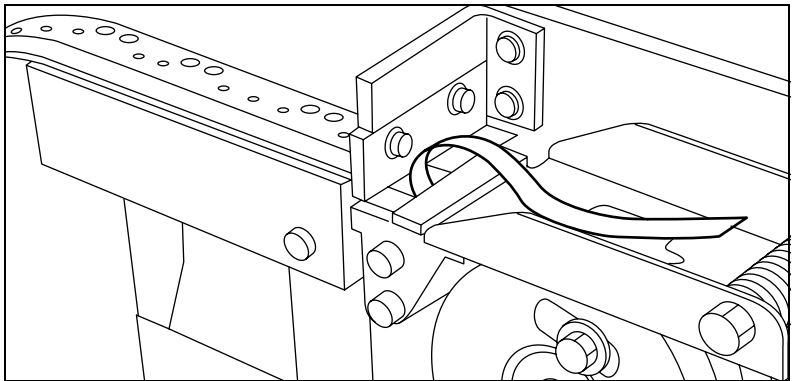
- 1 Peel the protection sheet off the tape (see Figure 82).





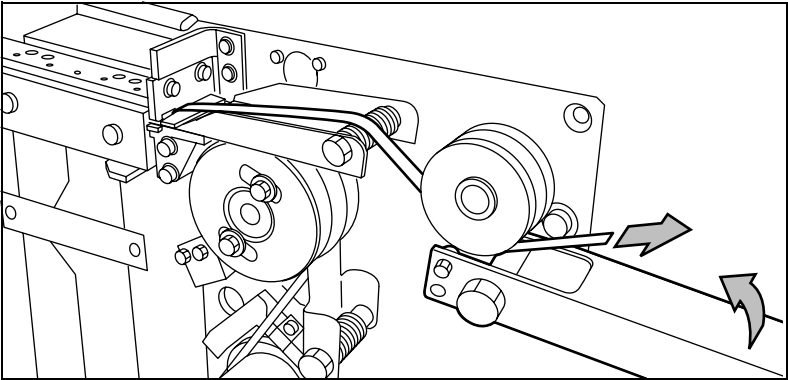
[82] Peeling off the protection sheet

- 2 Lead the protection sheet back between the upper and lower knife.



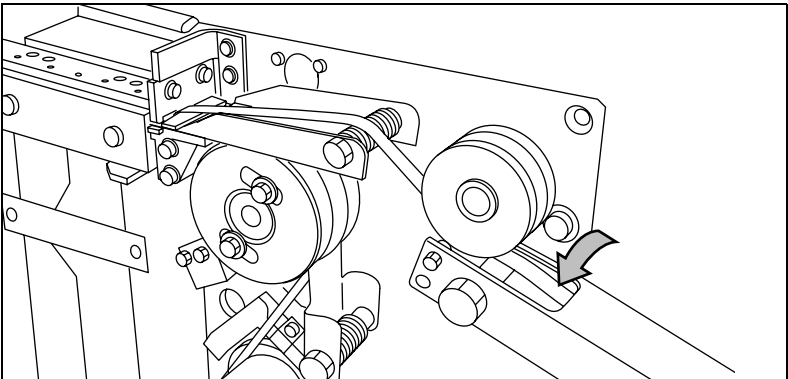
[83] Leading the protection sheet between upper and lower knife

- 3 Lift the guide and lead the protection sheet between the protection sheet rollers, pulling the protection sheet tight (see Figure 84).



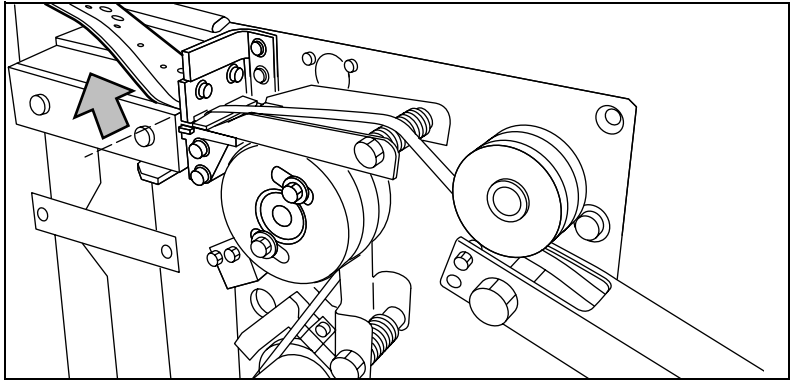
[84] Leading the protection sheet between the rollers

- 4 Insert the leading strip of the tape into the closed section of the slide (see Figure 85).



[85] Inserting the tape into the closed section of the slide

- 5 Hold the upper guide plate down and cut the tape at the knife section by quickly pulling the strip up so that the tape is cut by the upper knife (see Figure 86).



[86] Cutting the tape at the knife section

- 6 Close the side door of the reinforcement unit.

---

## Empty the waste box

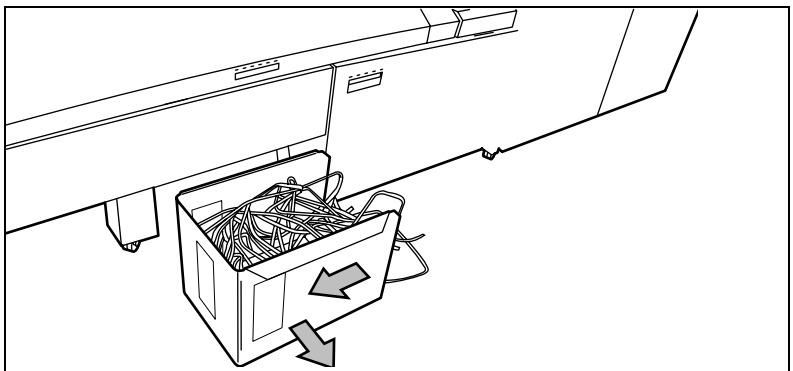
If a reinforcement unit is installed, the protective sheet from the reinforcement tape is stored in a waste box. For each roll of tape the box should be emptied twice.

**Note:** *You can empty the waste box while the printer is running.*



### How to empty the waste box

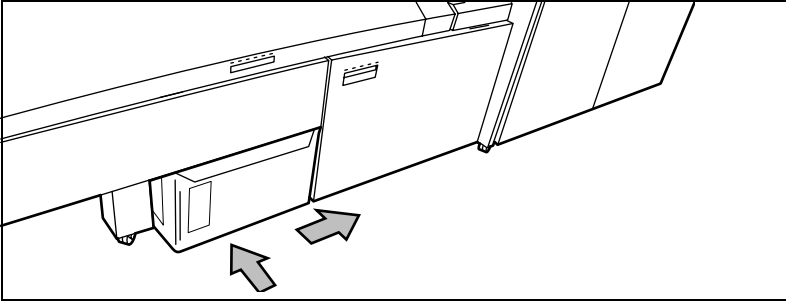
- 1 Open the waste box by first pulling it to the left hand side and next pulling it towards you.



[87] Opening the waste box

- 2 Empty the box.

- 3 Close the waste box by first pushing it forwards and next pushing it to the right hand side.



[88] Closing the waste box

---

## Clean the reinforcement knives

Because the knives of the reinforcement unit get sticky from the glue on the reinforcement tape, they have to be cleaned regularly. You are recommended to clean the knives each time you have inserted a new tape roll (see 'Insert a new tape roll' on page 164) or when an error in the reinforcement unit has occurred.

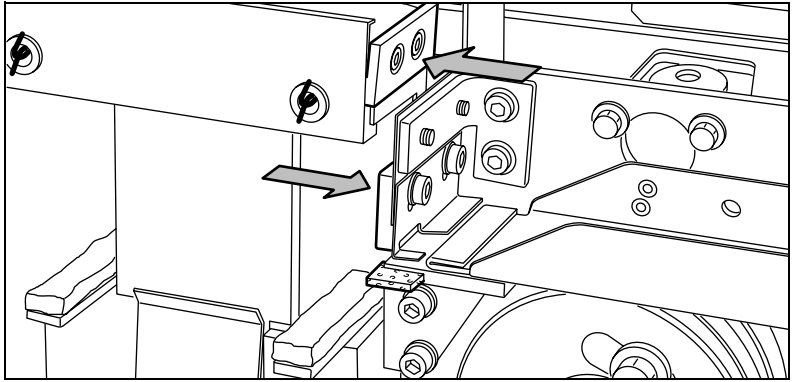
If you want to clean the reinforcement knives, you have to place them in such a position that all the parts that need to be cleaned are accessible.

---

**Attention:** *Only use the original Cleaner K and Fixing Unit Cleaning Oil (silicon oil) from Océ, to avoid damage to the reinforcement unit.*

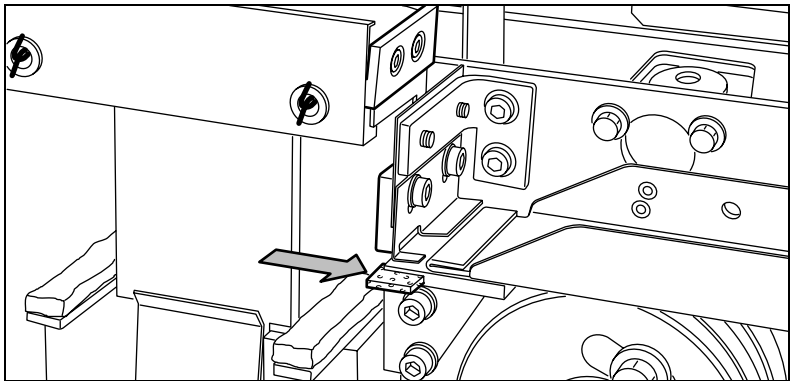
▼ **How to clean the reinforcement knives**

- 1 Press the On-line key on the printer operator panel.
- 2 Select 'Folding' with the ◀ or ▶ key.
- 3 Press the ▼ key to enter the 'Folding' menu.
- 4 Select 'Clean RU knife' with the ◀ or ▶ key.
- 5 Press the ▼ key to place the reinforcement unit knives in the correct position.
- 6 Open the side door of the reinforcement unit.
- 7 Clean the upper and lower knife using Cleaner K (see Figure 89).



[89] Cleaning the upper and lower knife

- 8 Oil the felt using Fixing Unit Cleaning Oil (silicon oil).



[90] Oiling the felt

Close the side door of the reinforcement unit. The knives are automatically placed back in their home positions., depending on whether or not a job was interrupted to clean the knives.

- 9 Press the On-line key.



---

# Chapter 11

# Troubleshooting

*This chapter describes the problems that can occur with the Océ TDS400.*



---

# Introduction

This chapter describes problems that can occur with the Océ TDS400 and how to correct the problems.

The following problems can occur on the Océ TDS400:

- Original jams in the scanner (see page 177).
- Paper jams in the printer (see page 179).
- Paper jams in the folder (see page 182)
- Problems with the reinforcement unit (see page 189)

Stickers on parts of the system indicate which green handles, green knobs, green bars and covers can be lifted, pressed or opened to remove the jammed material.

If you clear the error, the display gives the instruction on how to continue the job. Refer to 'Error messages' on page 44 for complete information about the error messages on the printer operator panel.

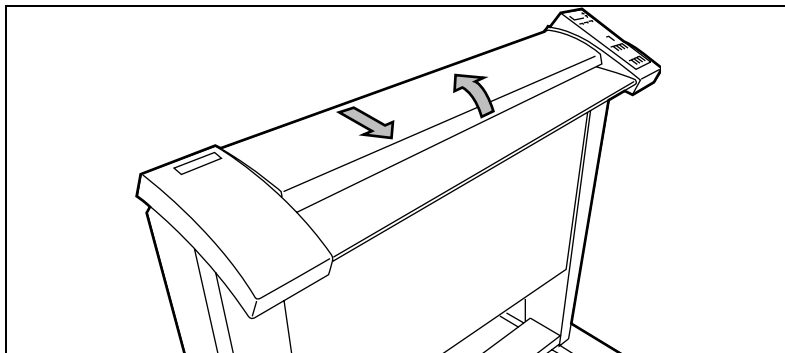


# Original jams in scanner

If an original jams, you can stop the original with the orange Cancel key.

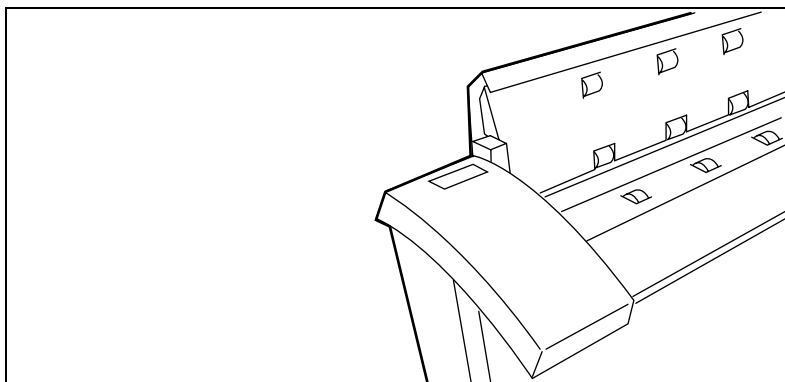
## ▼ How to remove a jammed original

- 1 Unlock the top cover by pushing the front side of the cover down and to pull it towards you. (see Figure 91).



[91] Open the top cover of the scanner

- 2 Raise the cover (see Figure 92)



[92] Raise the cover of the scanner

- 3 Remove the original.
- 4 Lower the top cover.
- 5 Lock the cover by pushing the front side of the cover down and to push it back to the rear until you hear a click.  
**Note:** *Make sure that the cover is closed correctly, to make sure correct original move.*
- 6 Press the Cancel key.

---

# Paper jams in the printer

---

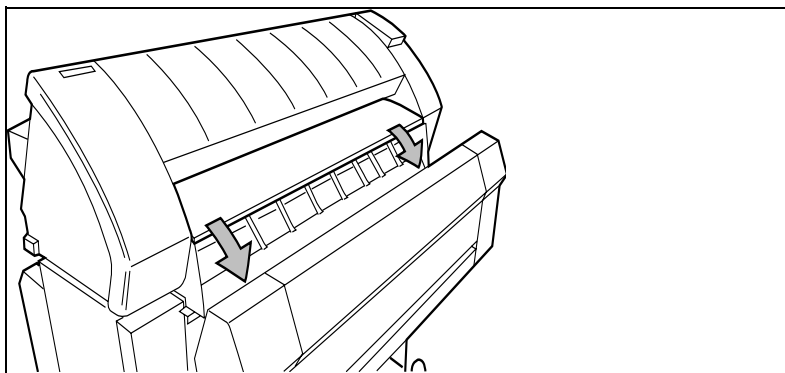
## Paper jam in the material feed section

If a jam occurs a message appears on the operator panel. If a paper jam occurs, check if:

- The roll is loaded correct and the media is fed as indicated.
- The correct media is used (see 'List of available material types and sizes' on page 214).
- No scraps of material are blocking the paper path

### ▼ How to clear a jam in the material feed section

- 1 Turn off the printer.
- 2 Open the correct roll compartment.  
**Note:** *One compartment can be open at a time.*
- 3 Lower the feed table, use the two catches on the front underneath the feed table (see Figure 93).



[93] Lower the feed table

- 4 Remove the jammed material.
- 5 Close the feed table.
- 6 Close the roll compartment.
- 7 Turn on the printer.

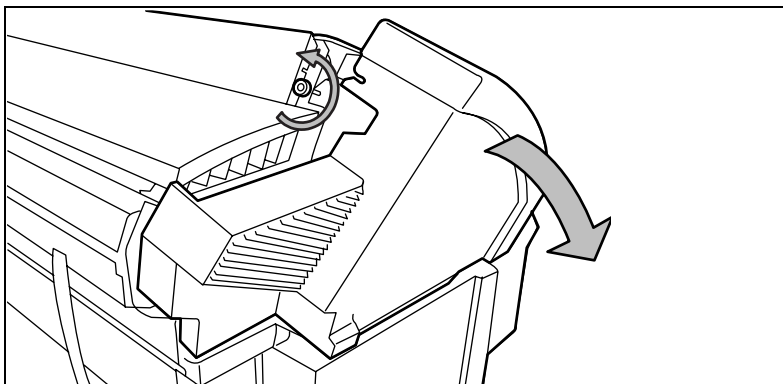
**Note:** *If you can not clear the paper jam by opening the feed table than open the fusing section (see 'Paper jam in the fuser section' on page 180).*

## Paper jam in the fuser section

**Caution:** *Open the fuser only to remove the paper after a media jam. Because of hot surfaces the operator always has to be cautious and wear heat-protective gloves, when he removes material in the fuser section.*

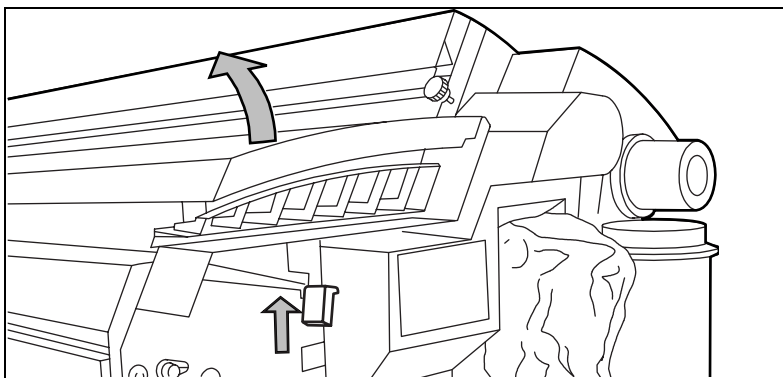
### ▼ How to clear a jam in the fuser section

- 1 Turn off the printer.
- 2 Loosen the screw at the left hand side of the machine and open the cover (see Figure 94).



[94] Unscrew the knurled nut to open the cover

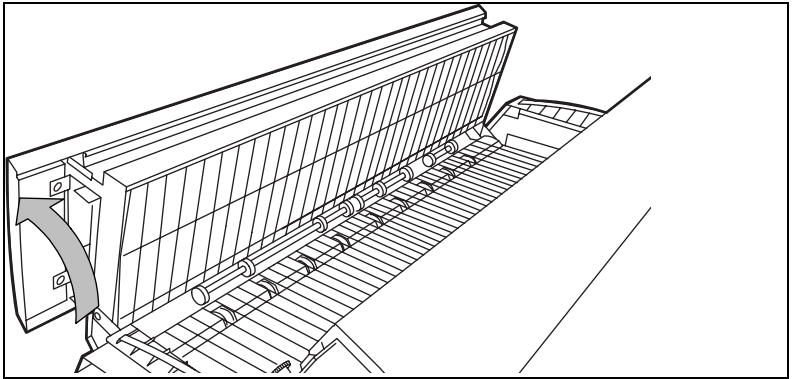
- 3 Lift the green handle (see Figure 95).



[95] Lift the green handle

- 4 Open the fuser unit (see Figure 96).

**Caution:** *If the printer is used, the fuser can be hot.*



[96] Open the fuser section

- 5 Remove the jammed material.

**Attention:** *Be careful! The toner is not fused.*

- 6 Lift the green handle and close the fuser unit.
- 7 Close the left cover and tighten the screw.
- 8 Turn on the printer.

---

# Paper jams in the folder

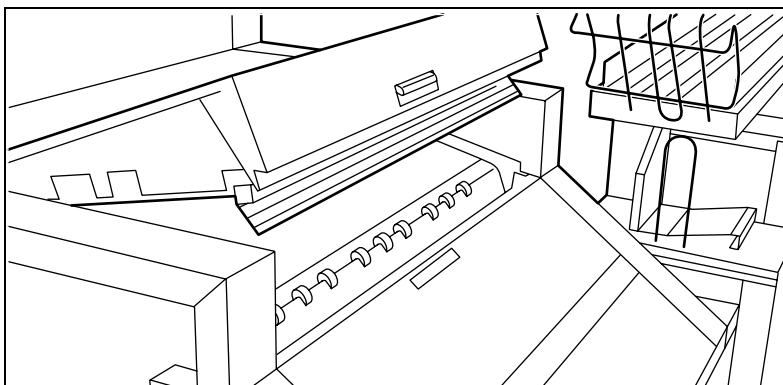
Any jams in the folder can occur in either the first fold section, the folder transport section, the second fold section or the belt unit (see page 196).

---

## Paper jam in the first fold section

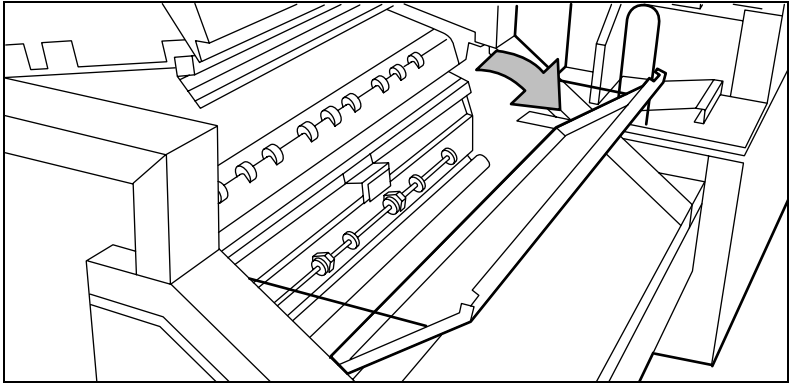
▼ **How to clear a jam in the first fold section**

- 1 Open the top cover of the folder (see Figure 97).  
The green light on the right of the folder is blinking quickly.



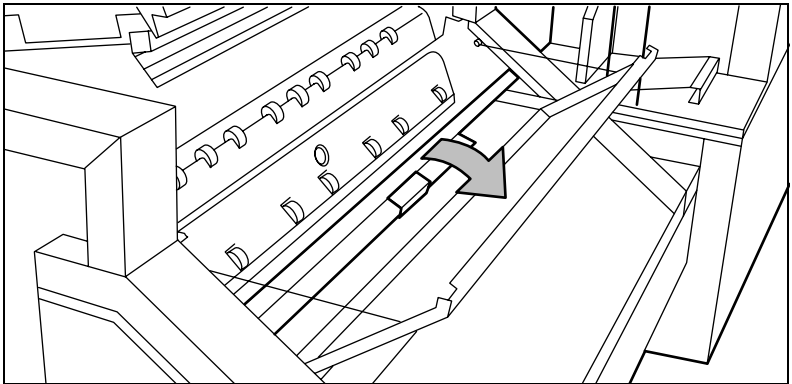
[97] Top cover of the folder

- 2 Remove any jammed printing material.
- 3 Open the cover of the first fold section (see Figure 98).



[98] Opening first fold section

- 4 Open the guide plate (see Figure 99).



[99] Opening guide plate

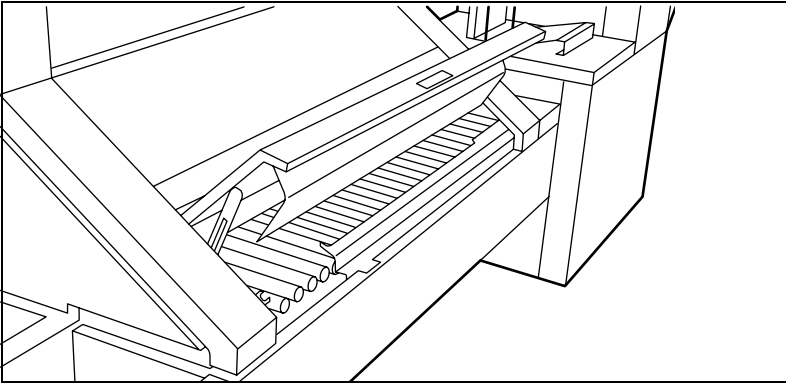
- 5 Remove any jammed printing material.
- 6 Close the guide plate.
- 7 Close the cover of the first fold section.
- 8 Close the top cover of the folder.

---

## Paper jam in the folder transport section

▼ **How to clear a jam in the folder transport section**

- 1 Open the cover of the transport to the first fold delivery (see Figure 100).



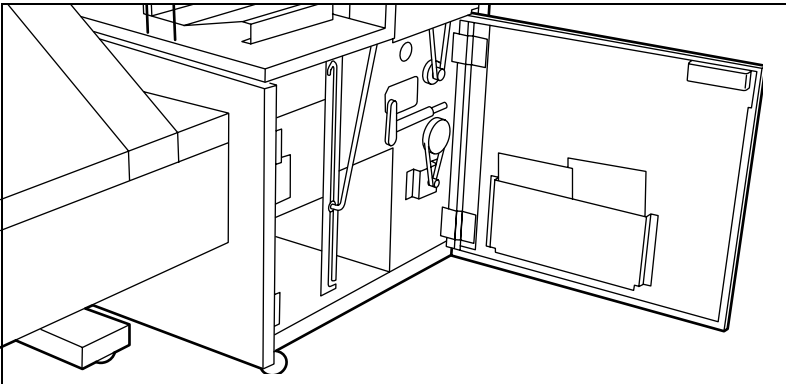
[100] Opening the cover of the folder transport section

- 2 Remove any jammed printing material.
- 3 Close the cover of the folder transport section from the left side by lifting it up and pushing the hinge away from you.

## Paper jam in the second fold section

### ▼ How to clear a jam in the second fold section

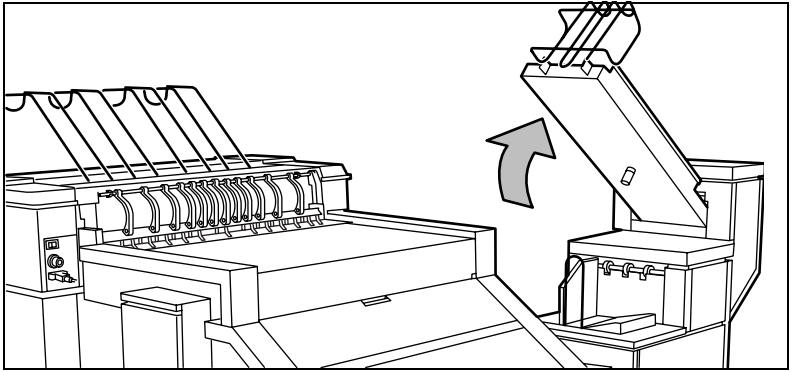
- 1 Open the front door of the second fold section (see Figure 101).



[101] Opening the front door of the second fold section

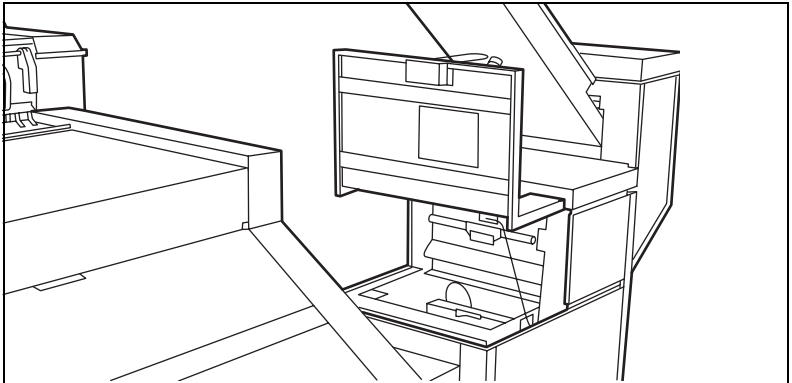
- 2 Remove any jammed printing material at the bottom of the second fold section.
- 3 Close the front door of the second fold section.
- 4 If you have a belt unit, put the belt in an upright position (see Figure 102).





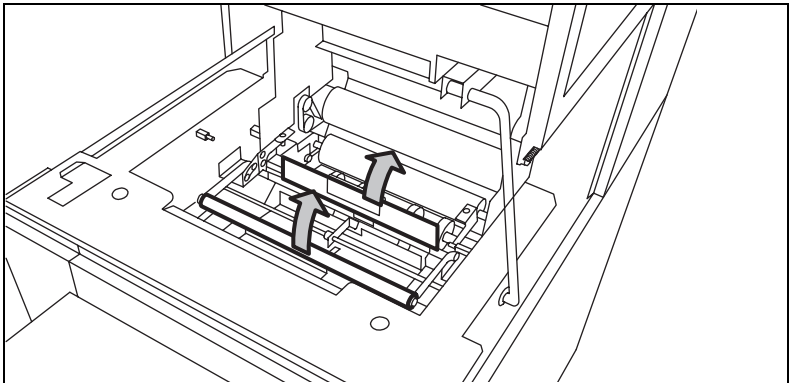
[102] Putting the belt in an upright position

- 5 Open the delivery unit (see Figure 103).



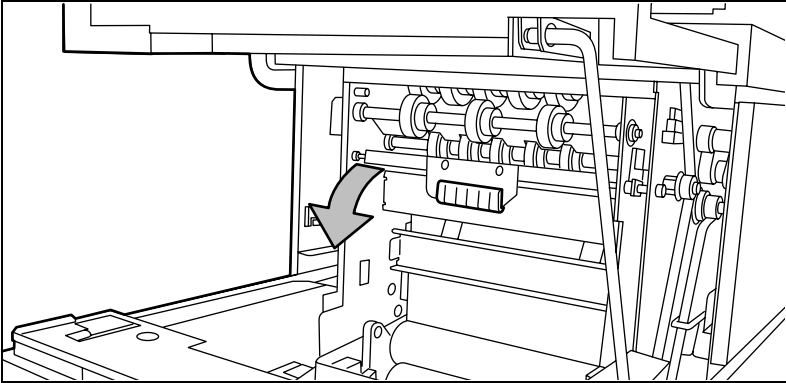
[103] Opening the delivery unit

- 6 Open the guide plate with the green lever (see Figure 104).



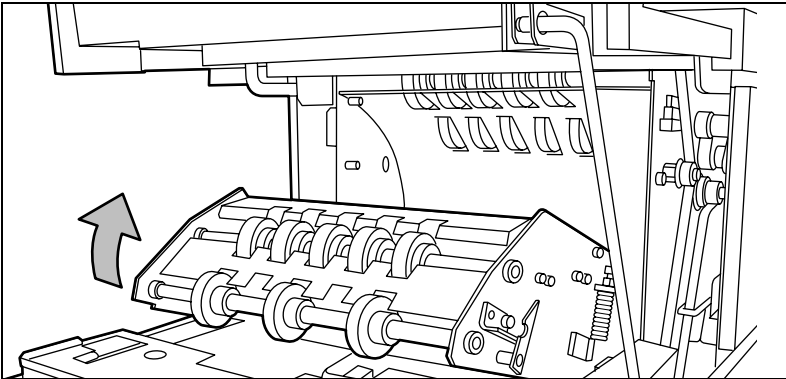
[104] Opening the guide plate with the green lever

- 7 Remove any jammed printing material.
- 8 Open the vertical transport with the green lever (see Figure 105).



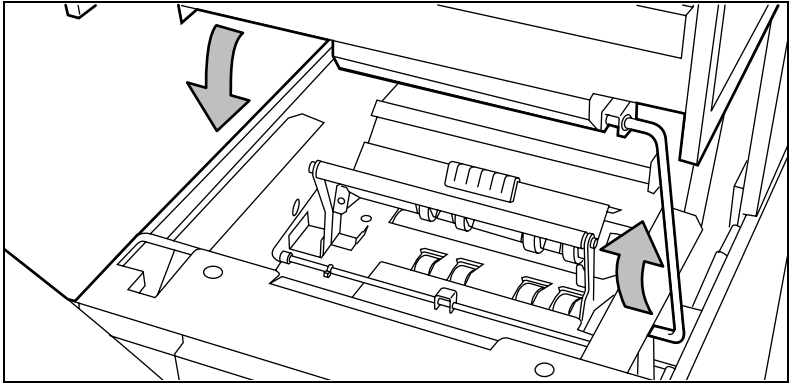
[105] Opening the vertical transport

- 9 Remove any jammed printing material.
- 10 Close the vertical transport (see Figure 106).



[106] Closing the vertical transport

- 11 Close the guide plate.
- 12 Close the delivery unit (see Figure 107).

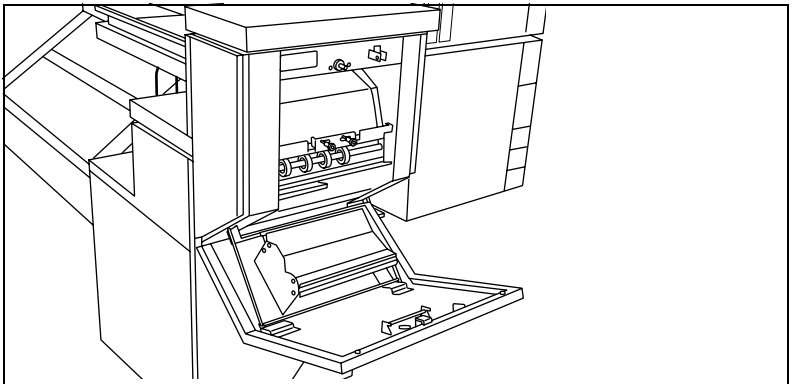


[107] Closing the delivery unit

## Paper jam in the belt unit

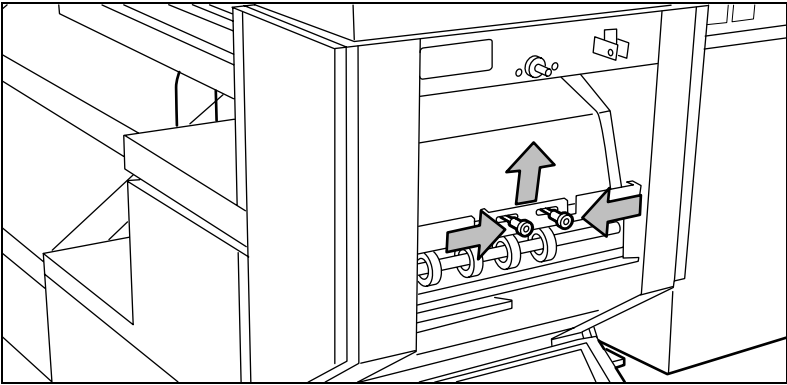
### ▼ How to clear a jam in the belt unit

- 1 Open the door of the belt unit (see Figure 108).



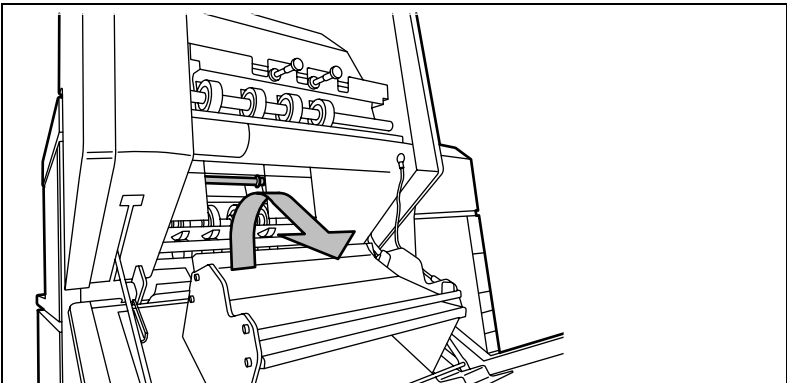
[108] Opening the belt unit door

- 2 Squeeze the two green knobs in the upper section of the belt unit and open the plate (see Figure 109).



[109] Opening the plate

- 3 Remove any jammed printing material.
- 4 Squeeze the two knobs again and put the plate in its original position.
- 5 Release the green lever in the lower section of the belt unit (by slightly lifting it and pulling it forward) to open the lower plate (see Figure 110).



[110] Opening the lower plate

- 6 Remove any jammed printing material.
- 7 Pull up the green lever again (until it locks into position) to close the plate.
- 8 Close the belt unit door.
- 9 Put the belt in its operating position by pushing it down gently.

---

# Problems with the reinforcement unit

If a reinforcement unit is installed, the following errors can occur:

- Paper jams
- Tape jams
- No reinforcement strips on the output

This section explains how these errors can be solved.

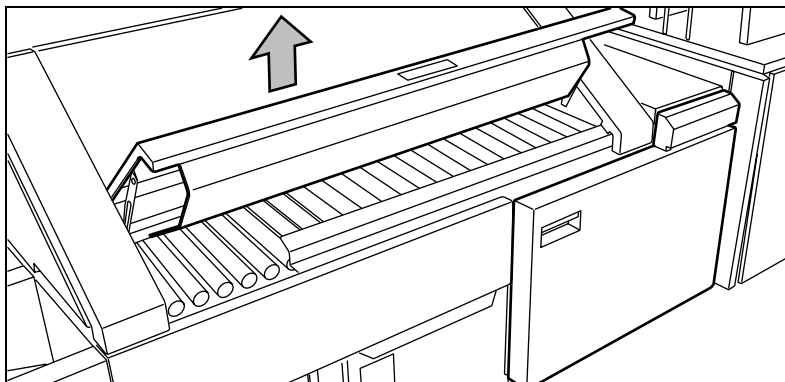
---

## Paper jam in the reinforcement unit



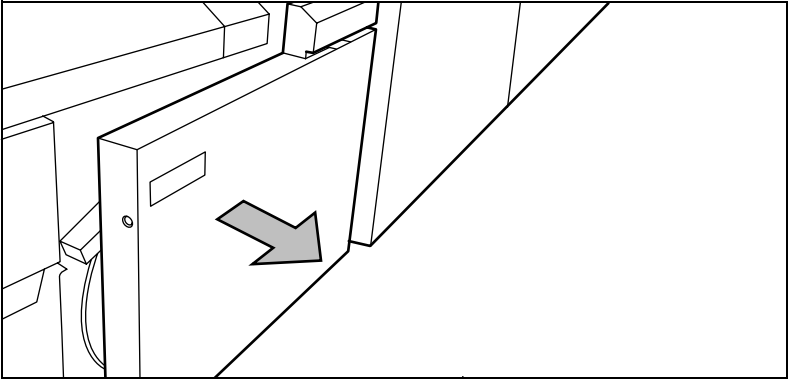
### How to clear a paper jam

- 1 Open the cover of the transport to the First Fold delivery and remove all paper inside (see Figure 111).



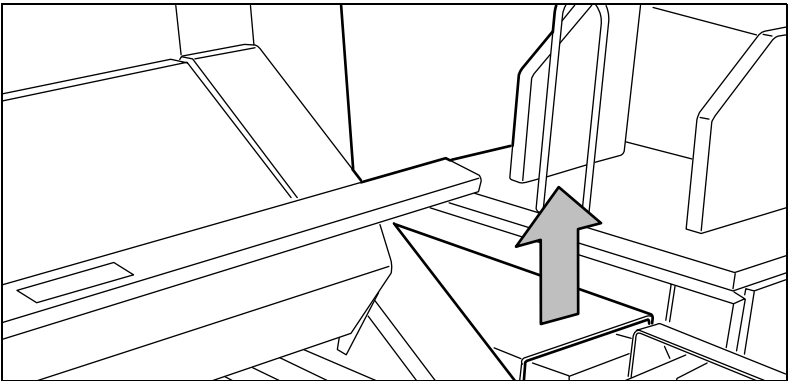
[111] Opening the cover of the folder transport section

- 2 Close the cover of the folder transport section.
- 3 Open the front door of the reinforcement unit (see Figure 112).



[112] Opening the front door of the reinforcement unit

- 4 Open the top cover of the reinforcement unit and remove all paper inside (see Figure 113).



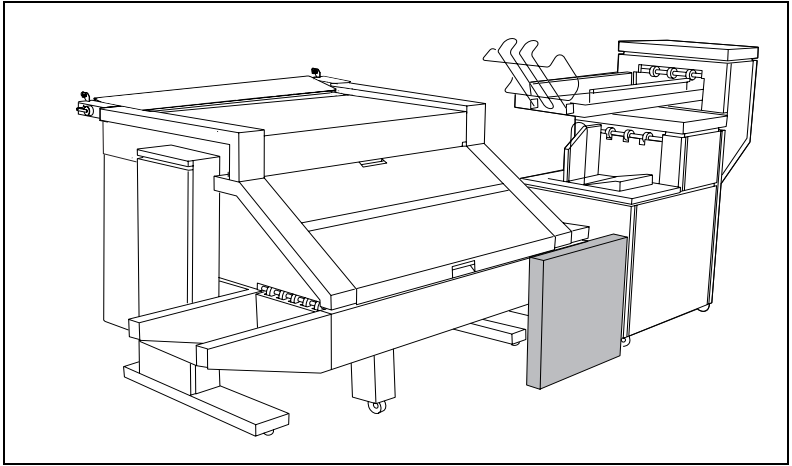
[113] Opening the top cover of the reinforcement unit

- 5 Close top cover and side door of the reinforcement unit.

---

## Tape jam in the reinforcement unit

When a tape jam occurs in the reinforcement unit (see Figure 114) the following message appears on the display: 'Error in folder'.

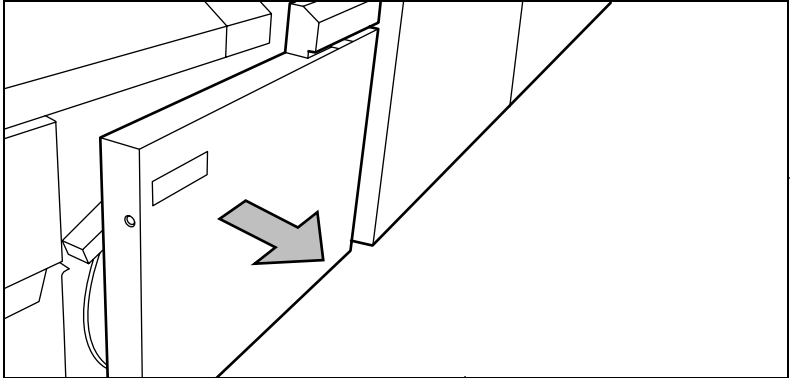


[114] Tape jam in reinforcement unit



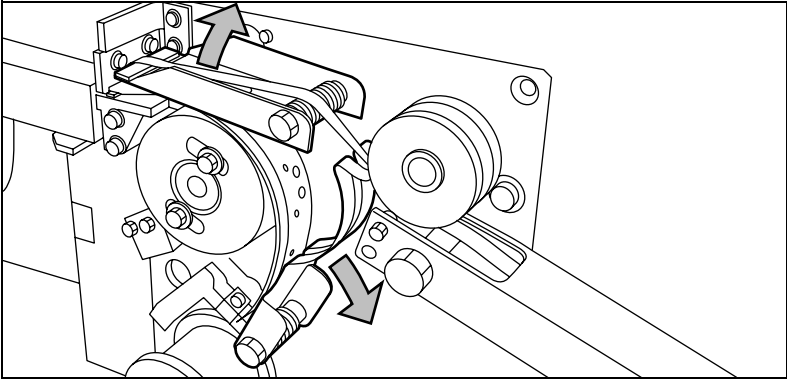
### How to clear a tape jam

- 1 Open the front door of the reinforcement unit (see Figure 115).



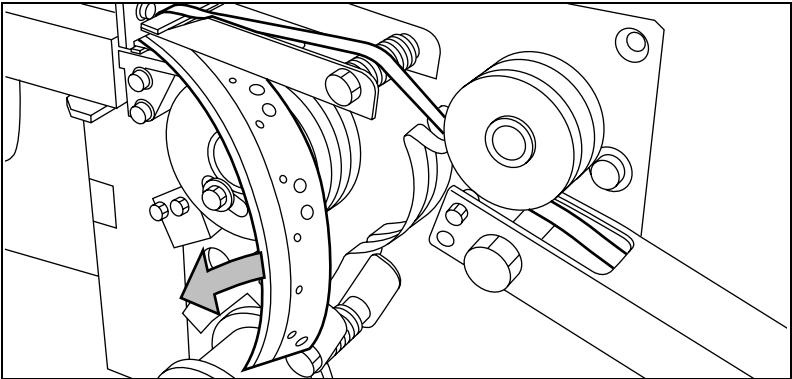
[115] Opening the front door of the reinforcement unit

- 2 Turn the two guide plates away from the pin roller and lock them into their open position (see Figure 116).



[116] Opening the guide plates

- 3 Remove all tape between the rollers and knives (see Figure 117).



[117] Removing the tape

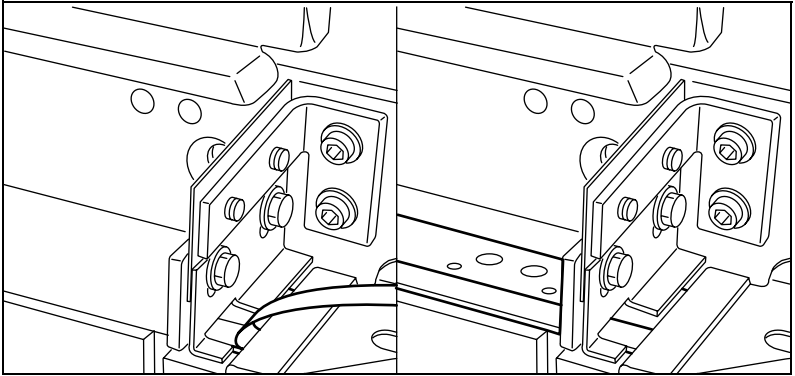
- 4 Lead a new trailing strip of tape between the rollers and knives.

---

## No reinforcement strips on the output without an error message

- ▼ **Solve this error**
- 1 Put the printer off-line by pressing the On-line key on the operator panel.
  - 2 Open the side door of the reinforcement unit.
  - 3 Check if there are loose reinforcement strips in the unit with the protection sheet still on (see situation B in figure 118).



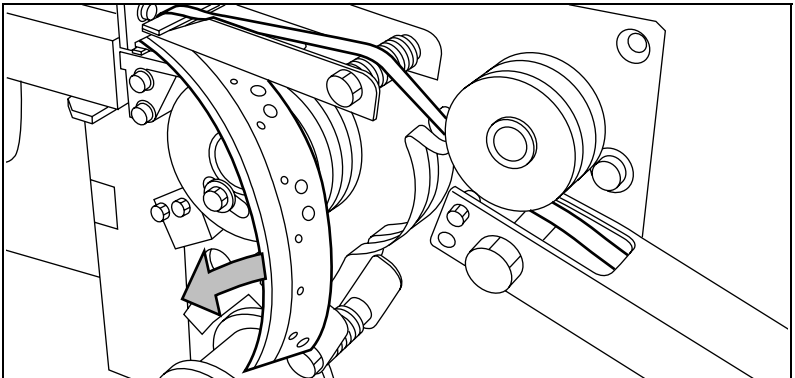


[118] Situation A: No mechanical error Situation B: Mechanical error

- 4 If there are, remove the tape strips in the reinforcement unit.

**Note:** *If the protection sheet is not on the reinforcement strip (see situation A in figure 118), there is no mechanical error and you should insert a new tape roll as described in 'How to insert a new tape roll' on page 165. If this error frequently occurs you should call Customer Service.*

- 5 Remove all tape between the rollers and knives (see Figure 119).



[119] Removing the tape

- 6 Lead a new trailing strip of tape between the rollers and knives. For more information see 'How to insert a new tape roll' on page 165.



---

# Chapter 12

## The folder

*This chapter describes the:*

- *Folder*
- *Reinforcement unit*
- *Belt unit*



---

# Introduction

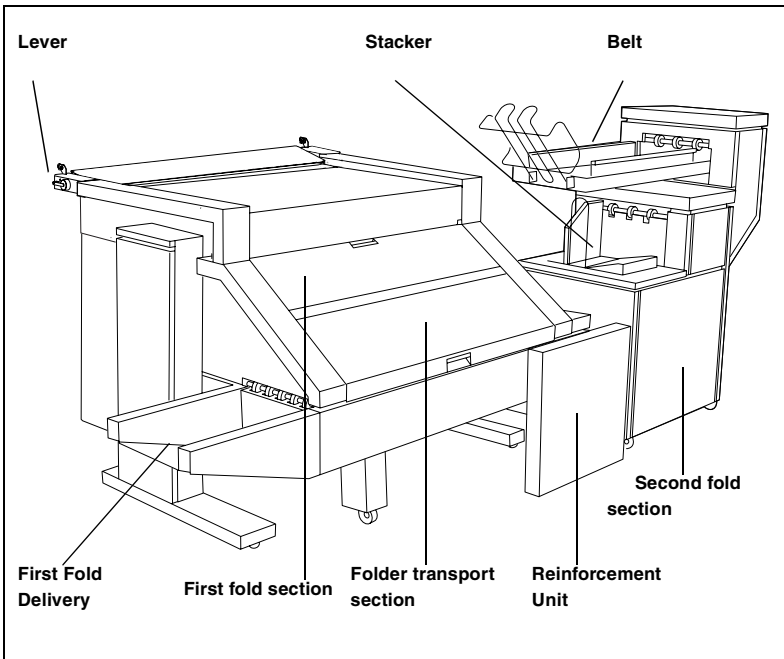
If you have a folder installed on your Océ TDS400 system, the following two other optional features are available:

- Reinforcement unit(see page 202)
- Belt unit(see page 203)

---

## Océ TDS400 folder

The Océ TDS400 can have a folder to fold your output. The output is folded according to the selected folding width and length with a drawing method. You can only fold paper. Polyester, transparent or vellum media cannot be folded. When you attempt to fold polyester, transparent or vellum media, a media jam will occur.

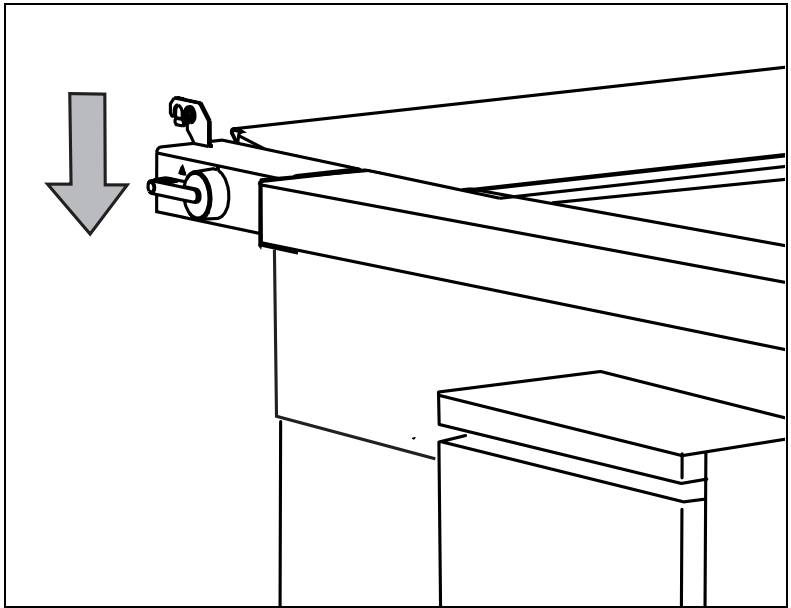


[120] Océ TDS400folder

---

## The Océ TDS400 folder settings

**Note:** Before you use the folder, switch the lever downward (see Figure 121).  
When you want to use the integrated receiving tray, switch the lever upward.



[121] To fold, switch the lever downward

### ▼ Set the folded output delivery

- 1 Press the On-line key on the printer operator panel.
- 2 Select 'Folding' with the ◀ or ▶ key.
- 3 Press the ▼ key to enter the 'Folding' menu.
- 4 Select 'Delivery' with the ◀ or ▶ key.
- 5 Press the ▼ key to enter the 'Delivery' menu.
- 6 Select 'Stacker', 'First fold' or 'Belt'.

### ▼ Set the folding legend

- 1 Press the On-line key on the printer operator panel.
- 2 Select 'Folding' with the ◀ or ▶ key.
- 3 Press the ▼ key to enter the 'Folding' menu.
- 4 Select 'Input' with the ◀ or ▶ key.
- 5 Press the ▼ key to enter the 'Input' menu.
- 6 Select 'Legend' with the ◀ or ▶ key.

- 7 Press the ▼ key to enter the 'Legend' menu.
- 8 Select 'Trailing' or 'Leading'.

▼ **Set the drawing method**

- 1 Press the On-line key on the printer operator panel.
- 2 Select 'Folding' with the ◀ or ▶ key.
- 3 Press the ▼ key to enter the 'Folding' menu.
- 4 Select 'Input' with the ◀ or ▶ key.
- 5 Press the ▼ key to enter the 'Input' menu.
- 6 Select 'Method' with the ◀ or ▶ key.
- 7 Press the ▼ key to enter the 'Method' menu.
- 8 Select 'Standard', 'Afnor' or 'Ericsson'.

▼ **Set the binding method**

- 1 Press the On-line key on the printer operator panel.
- 2 Select 'Folding' with the ◀ or ▶ key.
- 3 Press the ▼ key to enter the 'Folding' menu.
- 4 Select 'Binding' with the ◀ or ▶ key.
- 5 Press the ▼ key to enter the 'Binding' menu.
- 6 Select 'Off', 'On' or 'Reinforce'.

**Note:** *to clean the reinforcement knives see page 172.*

▼ **Set the binding edge value**

- 1 Press the On-line key on the printer operator panel.
- 2 Select 'Folding' with the ◀ or ▶ key.
- 3 Press the ▼ key to enter the 'Folding' menu.
- 4 Select 'Binding edge' with the ◀ or ▶ key.
- 5 Press the ▼ key to enter the 'Binding edge' menu.
- 6 If you selected 'On' in the 'Select the binding method' procedure, enter a range between 15 - 30 mm in steps of 1 mm; default 20 mm.

▼ **Set the folded package length**

- 1 Press the On-line key on the printer operator panel.
- 2 Select 'Folding' with the ◀ or ▶ key.
- 3 Press the ▼ key to enter the 'Folding' menu.
- 4 Select 'Package' with the ◀ or ▶ key.
- 5 Press the ▼ key to enter the 'Package' menu.
- 6 Select 'Length' with the ◀ or ▶ key.
- 7 Press the ▼ key to enter the 'Length' menu.  
Enter a range between 276 - 310 mm in steps of 1 mm; default 297 mm.

▼ **Set the folded package width**

- 1 Press the On-line key on the printer operator panel.
- 2 Select 'Folding' with the ◀ or ▶ key.
- 3 Press the ▼ key to enter the 'Folding' menu.
- 4 Select 'Package' with the ◀ or ▶ key.
- 5 Press the ▼ key to enter the 'Package' menu.
- 6 Select 'Width' with the ◀ or ▶ key.
- 7 Press the ▼ key to enter the 'Width' menu.  
Enter a range between 186 -230 mm in steps of 1 mm; default 210 mm.

<b>Maximum folding settings for long prints</b>				
	First fold output	Stacker 2nd fold	Stacker 2nd fold	Belt 2nd fold
Paper density [g/m <sup>2</sup> ]	1 fold [mm / inch]	2 folds [mm / inch]	3 folds [mm / inch]	2 folds [mm / inch]
60	1220 / 48	1220 / 48	1220 / 48	1220 / 48
75	6000 / 236	2500 / 98	2000 / 79	1220 / 48
110	2500 / 98	1220 / 48	not possible	1220 / 48

<b>Folding settings 75 grams</b>		
Output selection	Output length	Delivery
'Stacker' or 'Belt'	< 2.5 m	Delivered on stacker or belt
'Stacker' or 'Belt'	2.5 m - 6 m	First fold only, delivered in first fold delivery
'Stacker' or 'Belt'	> 6 m length known at start	Unfolded, delivered in IRT
'Stacker' or 'Belt'	> 6 m length <i>not</i> known at start	Possible paper jam
'Stacker' or 'Belt'		
'First fold only' selected	< 6 m	Delivered in first fold delivery
'First fold only'	> 6 m length known at start	Unfolded, delivered in IRT
'First fold only'	> 6 m length <i>not</i> known at start	Possible paper jam

<b>Folding settings 110 grams</b>		
Output selection	Output length	Delivery
'Stacker' or 'Belt'	< 1.22 m (3 folds)	Delivered in first fold delivery
Stacker' or 'Belt'	< 1.22 m (2 folds)	Delivered on stacker or belt
Stacker' or 'Belt'	> 1.22 m < 2.5 m	Delivered in first fold delivery
Stacker' or 'Belt'	> 2.5 m	Unfolded, delivered in IRT
Stacker' or 'Belt'		
'First fold only'	< 2.5 m	Delivered in first fold delivery
'First fold only'	> 2.5 m	Unfolded, delivered in IRT



---

## Off-line folding

An important productivity feature provided by the Océ TDS400 folder is the possibility to make off-line folds. For off-line folding the same settings can be made as for normal folding. By default, the predefined settings in the Océ Settings Editor for off-line folding are used. Polyester or transparent media cannot be folded. This may result in a media jam.

off-line folding settings		
Output selection	Output length	Delivery
'Stacker' or 'Belt'	$\leq 2$ m	Delivered on stacker or belt
'Stacker' or 'Belt'	2 m - 2.5 m (2 folds)	Delivered on stacker or belt
'Stacker' or 'Belt'	2 m - 2.5 m (3 folds)	Stopped in second fold (possible paper jam)
'Stacker' or 'Belt'	$> 2.5$ m	Unfolded, delivered in IRT
'Stacker' or 'Belt'		
'First fold only'	$< 6$ m	First fold only, delivered in first fold delivery

**Note:** Use off-line folding only for sheets which do not exceed a maximum length of 6 m. If you try to fold a sheet longer than 6 m anyway, an error occurs.

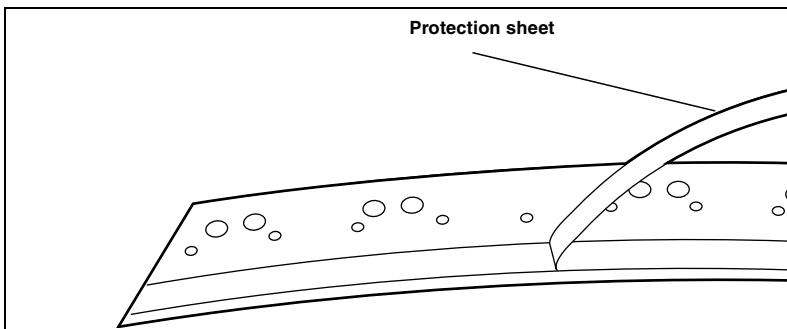
### ▼ Make off-line folds

- 1 Switch the printer off-line on the printer operator panel and wait for the printer to finish the jobs that are already in the printer.  
**Note:** Watch the light on the top cover of the folder.
  - If this is off, the printer is on-line and off-line folding is not possible.
  - If this is blinking slowly, the printer is off-line, but the folder still processing the last prints.
  - If this is blinking rapidly, an error has occurred.
  - If this is on, the printer is off-line and you can feed a sheet.**Note:** Also refer to the sticker on the top cover of the folder.
- 2 Make any settings for (off-line) folding on the printer operator panel.
- 3 Feed the sheet of paper *face down* and with the legend on your *right-hand side*. Also make certain that you feed the paper with the legend on the right-hand side (see 'Océ TDS400 folder' on page 196 for more information).  
**Note:** Wait until the light on the folder no longer blinks before you feed a new sheet. Otherwise a media jam may occur.
- 4 Collect your output.

---

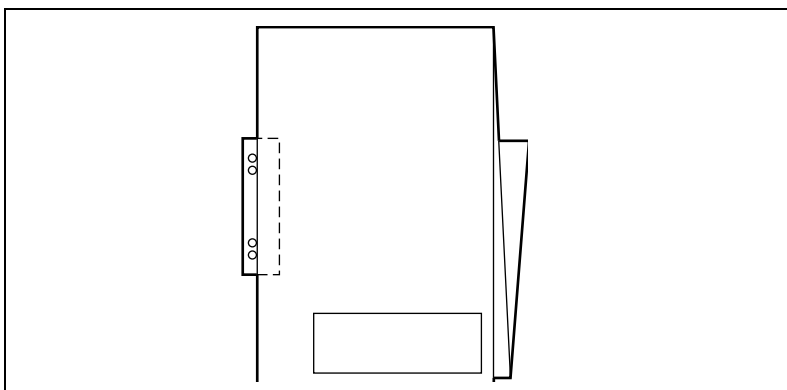
## Reinforcement unit

If you install a reinforcement unit, output can be delivered with a pre-punched, self-adhesive strip (see Figure 122).



[122] Example a of reinforcement strip

With this strip the copy can be stored in a binder, without running the risk that the punching holes tear out. You can unfold a folded map in a binder without opening the binder mechanism (see Figure 123).



[123] Example of a folded map with a reinforcement strip

The optional reinforcement unit supports all media sizes larger than A4. Reinforcement is only possible with the Standard folding method.

See 'Clean the reinforcement knives' on page 172 for more information about inserting a new tape roll and other maintenance issues.

---

## Belt unit

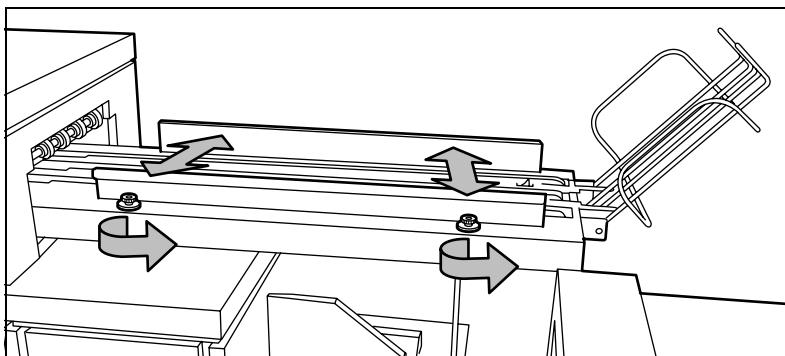
A belt unit offers a large capacity and more flexibility. On the belt unit up to 75 A0 prints can be delivered offset stacked. You can adjust the side guides of the belt, depending on the width of the folded package.

### ▼ **Set the belt as folded output delivery**

- 1 Press the On-line key on the printer operator panel.
- 2 Select 'Folding' with the ◀ or ▶ key.
- 3 Press the ▼ key to enter the 'Folding' menu.
- 4 Select 'Delivery' with the ◀ or ▶ key.
- 5 Press the ▼ key to enter the 'Delivery' menu.
- 6 Select 'Belt'.

### ▼ **Adjusting the side guides of the belt**

- 1 Loosen the nuts (see Figure 124).



[124] Adjusting the side guides of the belt

- 2 Adjust the plate in accordance with the width of the fold package.
- 3 Tighten the nuts.



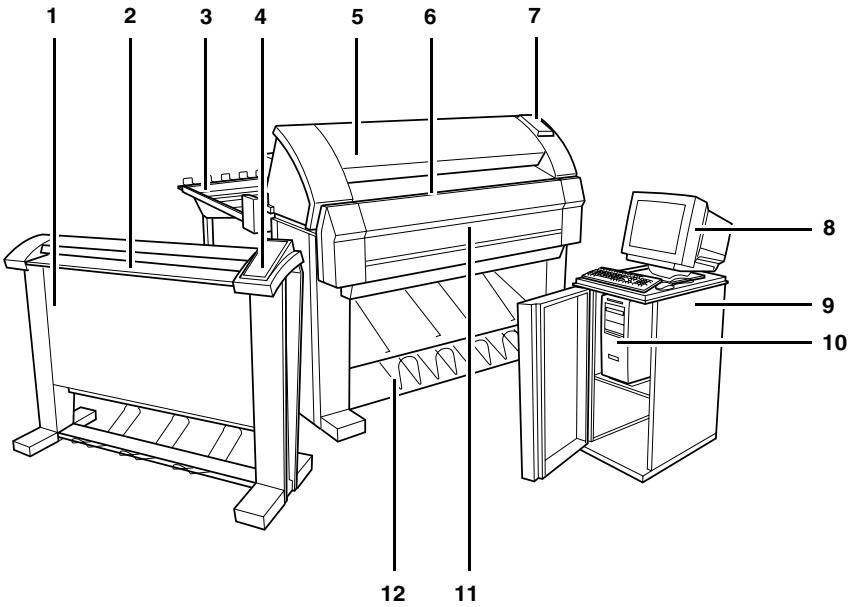
---

# Appendix A

## Summary and Tables



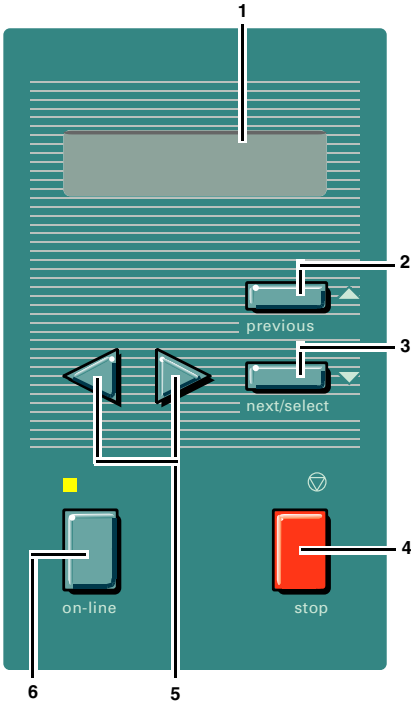
# The Océ TDS400



[125] The Océ TDS400 system

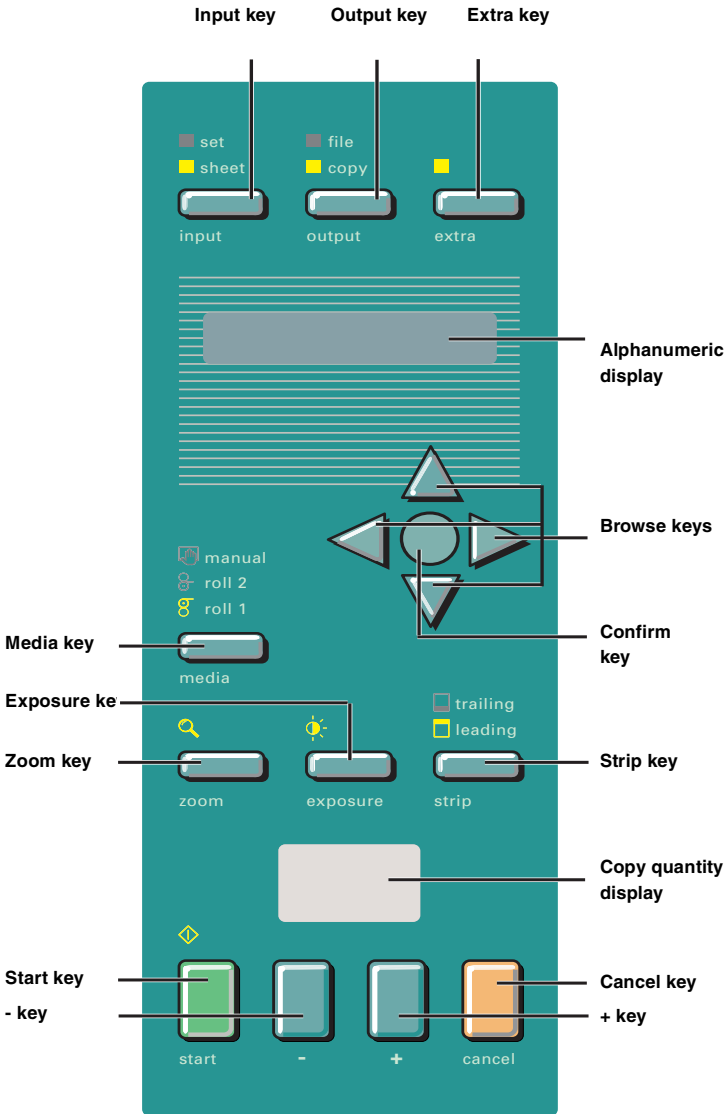
- 1 Scanner
- 2 Scanner feed table
- 3 Output delivery tray
- Note:** you can replace the output delivery tray by an optional folder (see Figure 120 on page 196).
- 4 Scanner operating panel
- 5 Printer
- 6 Manual feed
- 7 Printer operating panel
- 8 Monitor
- 9 Cabinet
- 10 Océ Power Logic® Controller
- 11 Rolls
- 12 Integrated Receiving Tray

# Printer operator panel



- 1 The graphics display
- 2 The Previous key
- 3 The Next/select key
- 4 The Stop key
- 5 The Browse keys (left ◀, right ▶)
- 6 The On-line key

# Scanner operator panel





---

# Product specifications Océ TDS400

The Océ TDS400 is a wide format low to medium volume print and copy system.

<b>Printer</b>	
Technology	Electrophotography (LED) with organic photoconductor (OPC) drum and closed toner system
Resolution	600 dpi
Speed	3 linear meters p/min. or approx. 2A0s p/min.
Media sources	1 roll version with manual feed 2 roll version with manual feed 2 roll version with manual feed Extended integrated stacker for up to 100 prints
Output sizes	From A3 to A0 and 36", a maximum of 15 meters long
Media types	Plain, translucent, transparent, recycled, fluorescent and colored papers; films and vellum
Output reception	Standard Integrated Receiving Tray (IRT)
Warm up time	None, instant behavior
Dimensions	1352 mm (W) x 1250 mm (H) x 899mm (D) including integrated receiving tray
Weight	Model with 1 roll 149 kg Model with 2 rolls 159 kg

[126]

<b>Océ Power Logic® Controller</b>	
Platform	Océ Controller with embedded Windows® XP
Memory	128 MByte RAM standard, expendable to 256 MByte
Disk space	High-speed hard disk dedicated to file spooling, and a high-speed hard disk dedicated to set memory offering 135 A0 storage capacity
File formats	HPGL, HPGL2, HPRTL, TIFF 6.0, CALS type 1, NIRS, EDMICS (C4), CalComp 906/907/951, ASCII, Adobe® PostScript® 3™
Interfaces	Standard: Ethernet 10/100 Mbits/s with RJ45 Optional: Ethernet 10 Mbits/s with BNC and SubD; TokenRing 4/16 Mbits/s; Centronics
Network protocols	TCP/IP, Novell (IPX, SPX), FTP, LPD
Cabinet	An option to store the controller
User Interface	GUI with a monitor, keyboard and mouse to use the applications on the controller
Adobe® Postscript® 3™ / PDF	Enables you to print the Postscript® level 3™ files and Portable Document Files (PDF), optional.
Print Exec® Workgroup	Optional software which allows you to create and send a set of plots or drawing files to an Océ TDS printer. You can send the settings for these jobs from your workstation, using your web browser.
Account logging	An optional feature that enables you to track how many jobs you make for a customer. This chapter describes how you use the accounting functionality for this purpose.
Functionality	Multiple prints: up to 999 Automatic Language Sensing (ALS) Auto roll selection and switching Plot manipulation: rotation, auto scaling File spooling on the controller Set memory: send once, process once, print many; capacity to store up to 135 A0s and create identical sets sorted by page or by set Concurrent receiving / processing / printing of digital jobs

[127]

## Océ Remote Logic® software

Software Application	Functionality
Océ Queue Manager	view status for each job and cancel, hold and restart the entire job
Océ System Control Panel application	view status and settings of system components
Océ Settings Editor	change system settings

[128]

## Scanner

Model	Free-standing console
Technology	CCD, Océ Image Logic® real-time image processing hardware
Speed	3 linear metres per minute or approximately 2 A0s per minute
Original feed	Face down, right aligned Automatic feed off/on Rewind original to front off/on
Originals	A4 to A0 sizes and 36", up to 15 metres.
Maximum thickness	1 mm
Exposure control	Automatic background compensation, manual fine adjustment. <i>Special modes:</i> Lines & Text, Photo, Blueprint
Media selection	Manual selection of roll 1 or 2 or manual feed.
Reproduction scale	Zoom: 25% - 400% (adjustable in 1% programmable fixed steps) Scan-to-file zoom: 50% - 200%
Input mode	Single sheet Set (sets processing/set collation)
Other operating functions	Concurrent scanning and printing
Functionality	Multi-copy mode: 1-99 copies (scan once, print many) Pre-programming of next job Programmable default settings Standard cut, synchro cut Scan-to-file (option) Leading and trailing strip adjustment (remove 400 mm, add 400 mm)
Image editing	Image mirroring
Dimensions	1240 mm (W) x 1105 mm (H) x 615 mm (D)
Weight	65 Kg

[129]

<b>Océ Scan Logic®</b>	
Application	Océ Scan Manager, integrated scanning solution, including Océ View Station LT
Scan destinations	6 programmable destinations Scan to controller Scan to network directory File Transfer Protocol (FTP)
Resolution	200, 300, 400 dpi
Data formats	Tiff (G3, G4, uncompressed) CALS type 1 PDF
Scan modes	Single scan, batch scanning with or without checkprint
File naming	Automatically generate unique file names for each scan
Check print	To check your scanned file
Viewing	View scans at point of scanning
Océ Image Logic®	Optimum scan quality with special original modes
Ease of use	STF from scanner panel, scan directly to destination
Requirements	256 Mb on controller and a graphical user interface
Options	Océ View Station LT for editing and enhancement of scanned documents Océ Batch Processor for automated editing.

<b>Drivers and application software</b>	
Océ ADI driver	For AutoCAD® 12, 13, and 14 Windows® 95/98®, NT 4.0® and XP
Océ HDI driver	For AutoCAD® 2000 Windows® 95/98/2000, NT 4.0® and XP
Océ Windows driver	Windows® 95/98/2000, NT 4.0® and XP
Adobe® PostScript® Level 3™ drivers	For Windows® 95/98/2000, NT 4.0®, XP and Macintosh®
Océ Print Exec® LT	Job submission software for Windows® 95/98, NT 4.0® and XP
Océ Repro Desk	A print management solution for the reprographer and their clients.
<b>Note:</b> Check Océ on the internet at <a href="http://www.oce.com">www.oce.com</a> for the latest drivers.	

<b>Finishing: output delivery tray</b>	
Model	Wheeled delivery tray with blower unit
Capacity	Up to 150 sheets (media type dependent) from A3 to A0

[130]

Types of media	Plain paper, transparent paper, film, vellum, polyester and translucent
Dimensions	1170 mm (W) x 1090 mm (H) x 1440 mm (D) with tray fully extended
Weight	35.5 kg

[130]

### **Finishing: folder**

Folding modes	On-line fanfold and crossfold, off-line folding
Folding method	Standard (=DIN-like), Ericsson, Afnor-like; Length: 276 - 310 mm Width: 186 -230 mm Filing strip: 15 -30 mm
Paper size	(75 g/m <sup>2</sup> ), Width: 279 -914 mm Length: 210 - 6,000 mm fanfold only; 210 - 2,500 mm for fanfold and crossfold
First fold exit	Extra bin for fanfold
Dimensions	2,200 mm (W) x 997 mm (H) x 1,260 mm (D)
Weight	220 kg
Optionals	Reinforcement unit Belt delivery tray for 75 A0

### **Compact output stacker**

Model	The transport unit that delivers copies and prints on the front-side of the printer.
Capacity	Up to 100 sheets depending on the material.

[131]

### **Dew Preventer**

Model	An optional heater to prevent dampness in media
-------	---

[132]

# List of available material types and sizes

Océ machines and materials are matched for optimal quality and performance. It is therefore recommended to use only approved Océ materials in the Océ TDS400.

A full list of Océ materials suited for use in the Océ TDS400, including plain paper, transparent paper, colored papers and various polyester films is available from your Océ representative.

## Material types

The following material types are available for the Océ TDS400:

<b>Material Types</b>		
Materials	Weight	
Plain paper	64 g/m <sup>2</sup> (55g/m <sup>2</sup> )	
Plain paper	75 g/m <sup>2</sup> (110g/m <sup>2</sup> )	
Plain paper	80 g/m <sup>2</sup>	
Biotop paper	80 g/m <sup>2</sup>	
Green Label	80 g/m <sup>2</sup>	
Recyonomic	60 g/m <sup>2</sup>	
Translucent paper	75 g/m <sup>2</sup>	
Transparent paper	90/95 g/m <sup>2</sup> (80/85g/m <sup>2</sup> )	
Transparent paper	110/115 g/m <sup>2</sup>	
Transparent paper	20 lbs (16 lbs)	
Top label paper	60 g/m <sup>2</sup>	
Vellum	3.5 mil (4 mil)	
Film	4.5 mil	
Polyester film	3.5 or 4.5 mil	
Special	colored paper, etc.	
	<b>Minimum</b>	<b>Maximum</b>
Width	297 mm	914 mm
Length	420 mm	15 m

The following material sizes are available for the Océ TDS400:

<b>DIN range</b>		
Material	Width [mm]	Length [mm]
A3	297	420
A2	420	594
A1	594	841
A0	841	1189

<b>8,5 inch range</b>		
Material	Width [inch]	Length [inch]
11 inch / B	11	17
17 inch / C	17	22
22 inch / D	22	34
34 inch / E	34	44

<b>22.86 cm range</b>		
Material	Width [inch]	Length [inch]
12 inch / B+	12	18
18 inch / C+	18	24
24 inch / D+	24	36
36 inch / E+	36	48

<b>Other formats</b>		
Material	Width	Length
76.20 cm	76.20 cm	30.48 cm
B1+	700 mm	1,000 mm
B1 (DIN)	707 mm	1,000 mm
B2+	500 mm	700 mm
B2 (DIN)	500 mm	707 mm

**Attention:** Avoid storing paper in rooms where temperature and humidity are high. Also, avoid dust and direct sunlight. Wrap unused paper in plastic to prevent it absorbing moisture.

## Automatic format selection

The Océ TDS400 controller switches to the next larger format. For example you set the 8,5 inch range on the printer. The job you print is an A1 format. The printer will automatically select the 30 inch format. The next table shows which format the Océ TDS400 controller chooses if you print a specific format on a chosen range

<b>Automatic format selection</b>				
	Paper series			
	DIN	DIN carto	21.59 cm	Mixed 8,5 and 9,5 inch
DIN range				
A3	X	X		
A2	X	X		
A1	X	X		
A0	X	X		
8,5 inch range				
11 inch / B			X	X
17 inch / C			X	X
22 inch / D			X	X
34 inch / E			X	X
22.86 cm range				
12 inch / B+				X
18 inch / C+				X
24 inch / D+			X	X
36 inch / E+	X	X	X	X
Other formats				
76.20 cm			X	X
B1 carto		X		
B1 (DIN)	X			
B2 carto		X		
B2 (DIN)	X			

[133]

## Reinforcement strips

Information about the different reinforcement strips is available from your Océ representative.



**Attention:** Only use the original reinforcement strips from Océ, to avoid damage to the reinforcement unit.

# Summary of standard zoom formats

## Standard zoom fixed steps for the DIN paper series [%]

Original	A0	A1	A2	A3	91.44 cm	B1	B2
A0	100	71	50	35	109	84	59
A1	141	100	71	50	153	119	84
A2	200	141	100	71	218	168	119
A3	283	200	141	100	308	238	168
91.44 cm	107	65	46	32	100	77	55
B1	119	84	59	42	129	100	71
B2	168	119	84	59	183	141	100

[134]

## Standard zoom fixed steps for the DIN carto paper series [%]

Original	A0	A1	A2	A3	91.44 cm	B1	B2
A0	100	71	50	35	109	83	59
A1	141	100	71	50	153	118	84
A2	200	141	100	71	218	167	119
A3	283	200	141	100	308	236	168
91.44 cm	107	65	46	32	100	77	55
B1	120	85	60	42	130	100	71
B2	168	119	84	59	183	140	100

[135]

## Standard zoom fixed steps for the 8,5 inch paper series [%]

Original [inch]	11 / B	17 / C	22 / D	24 / D+	30	34 / E	36 / E+
11 / B	100	154	200	218	273	309	327
17 / C	65	100	129	141	176	200	212
22 / D	50	77	100	109	136	155	164
24 / D+	46	71	92	100	125	142	150
30	37	57	73	80	100	113	120
34 / E	32	50	65	71	88	100	106
36 / E+	31	47	61	67	83	94	100

[136]

**Standard zoom fixed steps for the 8,5 & 9 inch mixed paper series [%]**

Original [inch]	11 / B	12 / B+	17 / C	18 / C+	22 / D	24 / D+	30	34 / E	36 / E+
11 / B	100	109	154	164	200	218	273	309	327
12 / B+	92	100	142	150	183	200	250	283	300
17 / C	65	71	100	106	129	141	176	200	212
18 / C+	61	67	94	100	122	133	167	189	200
22 / D	50	55	77	82	100	109	136	155	164
24 / D+	46	50	71	75	92	100	125	142	150
30	37	40	57	60	73	80	100	113	120
34 / E	32	35	50	53	65	71	88	100	106
36 / E+	31	33	47	50	61	67	83	94	100

[137]



---

# Appendix B

## Safety information



---

# Instructions for safe use

Océ designed products have been tested in accordance with the strictest international safety standards. To help assure safety while working with these products it is important that you observe the following safety rules:

## **Maintenance**

- Do not remove any screws from fixed panels.
- Do not carry-out maintenance activities except for the parts and maintenance materials mentioned in this manual.
- Do not place any liquids on the machine.
- Use maintenance materials or other materials for their original purpose only. Keep maintenance materials away from children.
- Do not mix cleaning fluids or other substances.
- To avoid the risk of introducing hazards, all modifications to Océ equipment are strictly reserved for properly qualified and trained service technicians.

## **Connection**

- If for some reason you have to move the machine yourself, please make sure that the main power point has the right fuse capacity. See the Océ TDS400 safety data sheet in this appendix for information about maximum current.
- Do not bridge any mechanical or electrical circuit breakers.
- Do not use an extension lead to connect the machine.
- This equipment has not been designed for connection to an IT power system. (An IT power system is a voltage network in which the neutral wire is not connected to earth).
- For equipment connected via a wall socket: locate the machine close to a wall socket that is easily accessible.
- For equipment connected via a fixed connection to an electricity grid: the disconnect device in the fixed connection should be easily accessible.

## **Surroundings**

- Do not block the ventilation openings of the machine.
- Ensure that the machine is placed on a level, horizontal surface of sufficient strength. See the Océ TDS400 safety data sheet in this appendix for information about the weight of the equipment.
- Ensure there is sufficient space around the machine. This facilitates reloading materials as well as maintenance.
- Do not place the machine in rooms which are subject to excessive vibration.
- Do not place the machine in rooms which are too small and insufficiently ventilated. See the Océ TDS400 safety data sheet in this appendix for information about space and ventilation requirements.

## **General**

- Always use materials recommended by Océ and developed for this Océ machine. Materials not approved by Océ may result in defaults in your machine.
- Do not use the machine when it is emitting unusual sounds. Remove the plug from the power socket or switch off the fixed connection to the electricity grid and contact Customer Service.

---




# Safety data sheets

The disclaimer below is valid for all safety data sheets in this manual. For questions about Océ products regarding health, safety and environment, please contact your Océ organization; you can find the address in the last appendix of this manual.

**Disclaimer** The safety data sheets in this manual have been compiled to the best of our knowledge as a compact guide for safe handling of this product. We reserve the right to revise safety data sheets as new information becomes available. It is the user's responsibility to determine the suitability of this information for the adoption of safety precautions as may be necessary and to contact the company in order to ensure that the sheet is the latest one issued. If and in so far as limitation of liability is permitted under the applicable laws, we do not accept liability for any inaccuracy that may occur in this information.






# Safety data sheet Océ TDS400 printer

PRODUCT SAFETY DATA SHEET			
Océ-USA, Inc.		Number E-717-a-US Date August 2000	
<b>Model</b>	Océ TDS400 printer		
<b>Description</b>	Electrophotographic printer, instant printing, console model, plain paper, organic photoconductive drum, powder toner		
<b>Max. process speed</b>	3 m/min		
<b>Dimensions</b>	<b>Engine</b>		<b>Controller</b>
	<b>1 roll</b>	<b>2 roll</b>	
<b>Width</b>	1352 mm	1352 mm	206 mm
<b>Depth</b>	899 mm	899 mm	437 mm
<b>Height</b>	1251 mm	1251 mm	444 mm
<b>Weight</b>	175 kg	185 kg	15 kg
<b>Voltage</b>	100/115/230 V	100/115/230 V	100/230 V
<b>Frequency</b>	50/60 Hz	50/60 Hz	50-60 Hz
<b>Current-rated</b>	15/15/7,5 A	15/15/7,5 A	0,9 A
<b>Current-max</b>	20/20/10 A	20/20/20/10 A	6/3 A
<b>Power consumption, stand by</b>	30 W		
<b>Power consumption, operation</b>	1,5 kW		4
<b>Power consumption, operation</b>	0 W		
<b>EPA ENERGY STAR®</b>			
<b>* Power consumption sleep mode</b>	42 W (total system)		
<b>Mains connection</b>	Cable with plug		
<b>Safety class</b>	I (IEC 536) Protective earth connection		
<b>Protection class</b>	IP 20 (IEC 529)		
<b>Sound pressure level (at bystander position)</b>	<b>Standby</b> 24 dB(A)	<b>In operation</b> main body 54 dB(A) impulse L <sub>p</sub> = 4 dB(A)	
<b>Sound power level</b>	40 dB(A) main body 62 dB(A)		
<b>Radio interference</b>	Complies with Directive 89/336/EEC and FCC rules and regulations, part 15 Class A.		
<b>Radiation</b>	Below the Threshold Limit Values for UV, Visible and IR radiation (TLV list of ACGIH).		
<b>Heat emission</b>	Standby 70 W; at continuous operation 1,5 kW		
<b>Ozone emission</b>	0,04 mg/min at continuous operation		
<b>Room volume</b>	Recommendation: min. 25 m <sup>3</sup>		
<b>Room ventilation</b>	Recommendation: min. 12,5 m <sup>3</sup> /h (natural ventilation)		
<b>Use simulation at random operation</b>	With a room volume and ventilation as recommended and a daily volume of 150 m (much more than average) the use simulation at random operation gives the following ozone concentrations: - Time weighted average 0,01 mg/m <sup>3</sup> (0,005 ppm) - Peak 0,002 mg/m <sup>3</sup> (0,001 ppm) <i>Threshold Limit Value/Occupational Exposure Limit (Time Weighted Average) for ozone</i> 0,2 mg/m <sup>3</sup> (0,1 ppm) <i>Odour Perception Limit for ozone</i> 0,04 mg/m <sup>3</sup> (0,02 ppm)		
<b>Consumables</b>	Océ OPC Drum (Océ Safety Data Sheet E-218) Océ B5 Toner (Océ Safety Data Sheet E-199) Océ D5 Developer (Océ Safety Data Sheet E-200) Océ Copying Materials. This apparatus is suitable for processing recycling paper which complies with the requirements of ENV 12281.		
<b>Additional safety information</b>	The ozone filter does not have to be replaced to keep the ozone concentration in the workplace below 0,04 mg/m <sup>3</sup> (i.e. the life of the filter equals that of the apparatus).		
Listed according to standard UL 1950 and CAN/CSA-C22.2 No.950		EPA ENERGY STAR®	
			
LISTED 927F INFORMATION TECHNOLOGY EQUIPMENT E 69871			
Copyright © 2000 Océ-Technologies B.V., Venlo, NL			

The content of this safety data sheet is subject to the disclaimer of liability on page 224 of this manual.

# Safety data sheet Océ TDS400 printer and scanner

PRODUCT SAFETY DATA SHEET					
Océ-USA, Inc.		 Number E-718-a-US Date August 2000			
<b>Model</b>	<b>Océ TDS400</b>				
<b>Description</b>	Multifunction device, instant copying/printing, consisting of an electrophotographic printer, console model, plain paper, organic photoconductive drum, powder toner and a free standing scanner.				
<b>Max. process speed</b>	3 m/min				
<b>Dimensions</b>	<b>Width</b>	<b>Engine</b>	<b>Scanner</b>	<b>Controller</b>	<b>Monitor (17")</b>
<b>Depth</b>		1352 mm	1240 mm	206 mm	299 mm
<b>Height</b>		899 mm	615 mm	437 mm	410 mm
<b>Weight</b>		1251 mm	1105 mm	444 mm	409 mm
		175 kg	65 kg	15 kg	15 kg
		10 kg (extra roll)			
<b>Voltage</b>	100/115/230 V	100/115/230 V	100/230 V	100-230 V	
<b>Frequency</b>	50/60 Hz	50-60 Hz	50-60 Hz	50-60 Hz	
<b>Current-rated</b>	15/15/7.5 A	1,1/1,1/0,7 A	0,9 A	1,4 A	
<b>Current-max</b>	20/20/10 A	1,6/1,6/0,8 A	6/3 A		
<b>Power consumption, stand by</b>	30 W	27 W	40 W	40 W	70 W
<b>Power consumption, operation</b>	1,5 kW				
<b>EPA ENERGY STAR®</b>	52 W (total system)				
<b>* Power consumption sleep mode</b>	Cables with plug				
<b>Mains connection</b>	I (IEC 536) Protective earth connection				
<b>Safety class</b>	IP 20 (IEC 529)				
<b>Protection class</b>					
<b>Sound pressure level (at bystander position)</b>	<b>Standby</b>		<b>In operation</b>		
<b>Sound power level</b>	24 dB(A)		main body 54 dB(A) impulse L <sub>i</sub> = 4 dB(A)		
<b>Radio interference</b>	41 dB(A)		main body 63 dB(A)		
<b>Radiation</b>	Complies with Directive 89/336/EEC and FCC rules and regulations, part 15 Class A.				
<b>Heat emission</b>	Below the Threshold Limit Values for UV, Visible and IR radiation (TLV list of ACGIH)				
<b>Ozone emission</b>	Standby 182 W; at continuous operation 1,8 kW 0,04 mg/min at continuous operation				
<b>Room volume</b>	Recommendation: min. 25 m <sup>3</sup>				
<b>Room ventilation</b>	Recommendation: min.12,5 m <sup>3</sup> /h (natural ventilation)				
<b>Use simulation at random operation</b>	With a room volume and ventilation as recommended and a daily volume of 150 m (much more than average) the use simulation at random operation gives the following ozone concentrations:				
	- Time weighted average	0,01 mg/m <sup>3</sup>	(0,005 ppm)		
	- Peak	0,002 mg/m <sup>3</sup>	(0,001 ppm)		
	<b>Threshold Limit Value/Occupational Exposure Limit (Time Weighted Average) for ozone</b>	0,2 mg/m <sup>3</sup>	(0,1 ppm)		
	<b>Odour Perception Limit for ozone</b>	0,04 mg/m <sup>3</sup>	(0,02 ppm)		
<b>Consumables</b>	Océ OPC Drum (Océ Safety Data Sheet E-218) Océ B5 Toner (Océ Safety Data Sheet E-199) Océ D5 Developer (Océ Safety Data Sheet E-200) Océ Copying Materials. This apparatus is suitable for processing recycling paper which complies with the requirements of ENV 12281.				
<b>Additional safety information</b>	The ozone filter does not have to be replaced to keep the ozone concentration in the workplace below 0,04 mg/m <sup>3</sup> (i.e. the life of the filter equals that of the apparatus).				
	Listed according to standard UL 1950 and CAN/CSA-C22.2 No.950			EPA ENERGY STAR®	
			LISTED 927F INFORMATION TECHNOLOGY EQUIPMENT E 69671		
<b>Copyright © 2000 Océ-Technologies B.V., Venlo, NL</b>					

The content of this safety data sheet is subject to the disclaimer of liability on page 224 of this manual.

---

# EPA ENERGY STAR®

Océ-Technologies B.V. has joined the ENERGY STAR® Program of the United States Environmental Protection Agency (EPA). The purpose of the ENERGY STAR® Program is to promote the manufacturing and marketing of energy-efficient equipment, thereby potentially reducing combustion-related pollution. Using the energy management features outlined below prevents unnecessary power consumption, which helps to prevent air pollution from electricity generating plants and saves you money on your utility bills.

As an ENERGY STAR® Partner, Océ-Technologies B.V. has determined that this copier model meets the ENERGY STAR® guidelines for energy efficiency.

The EPA ENERGY STAR® Criteria for copiers involve the following features:

**low power mode** In the low power mode, the power consumption of certain functions is automatically reduced to save energy. The printer enters the low power mode 30 minutes after the last copy is made<sup>1</sup>. This default time can be adjusted by the key operator to between 5 and 120 minutes. The scanner enters the low power mode 10 minutes after the last copy is made<sup>1</sup>. This default time can be adjusted by the key operator to between 5 and 120 minutes. The low power mode recovery time is less than 1 second, after which, copying may be resumed.

**recycled copier paper** The use of recycled paper also benefits the environment. This copier is designed to use recycled paper. Product literature on recommended types of recycled copier paper can be obtained from your local Océ company or Océ Headquarters (Océ-Technologies B.V.) in Venlo, the Netherlands.

<sup>1</sup>For power consumption data: see Product Safety Data Sheet in this appendix.



ENERGY STAR® is a U.S. registered mark.



---

# Appendix C

## Miscellaneous



---

# How to read this manual

The consistent style that is used in this manual enables you to quickly become familiar with the use of this manual and ultimately the Océ TDS400.

**Description** Each section or subsection contains a description of the feature or operation identified in the title. It might also include possible applications, as well as any guidelines that you should bear in mind.

**Procedures** A description is followed by a procedure. A procedure always begins with a phrase which briefly describes the procedure, followed by a series of numbered steps that take you, step by step, through all phases of performing the operation.

**Figures and tables** Figures and tables are titled and numbered sequentially throughout this manual. Figures include pictures of product components, screen dumps, examples, and diagrams of concepts discussed in the description.

**Attention getters** There are several types of information to which we draw your attention. This information is classified as follows:

**Note:** *In a 'Note', information is given about matters which ensure the proper functioning of the machine or application, but useful advice concerning its operation may also be given.*

---

**Attention:** *The information that follows 'Attention' is given to avoid damage to your copy or original, the copier or printer, data files, etc.*

---

**Caution:** *The information that follows 'Caution' is given to prevent you suffering personal injury. .*

---

# User survey

Did you find this manual to be accurate?

- Yes
- No

Were you able to operate the product after reading this manual?

- Yes
- No

Does this manual provide adequate background information?

- Yes
- No

Is the format of this manual convenient in size, easy to read and layed out well?

- Yes
- No

Did you find the information you were looking for?

- Always
- Most of the times
- Sometimes
- Not at all

How did you find the information you were looking for?

- Table of contents
- Index
- Neither

Are you satisfied with this manual?

- Yes
- No

Thank you for evaluating this manual.

If you have any other comments or concerns, please explain them on the following page.

**Comments:**

-----  
-----  
-----  
-----  
-----  
-----  
-----

**Date:**

This reader's comment sheet is completed by:

**Name (optional):**

**Occupation:**

**Company:**

**Phone:**

**Address:**

**City:**

**Country:**

Please return this sheet to:

Océ-Technologies B.V.  
Attn: ITC-User Documentation  
P.O. Box 101  
5900 MA Venlo  
The Netherlands

Send you comments by E-mail to : [itc-userdoc@oce.nl](mailto:itc-userdoc@oce.nl)

For the addresses of local Océ organizations see : [www.oce.com](http://www.oce.com)



---

# Addresses of local Océ organizations

Océ-Australia Ltd.  
P.O.Box 363  
Ferntree Gully MDC VIC 3165  
Australia

Océ-Österreich GmbH  
Postfach 95  
1233 Vienna  
Austria

Océ-Belgium N.V./S.A.  
Avenue J.Bordetlaan 32  
1140 Brussels  
Belgium

Océ-Brasil Comércio e Industria Ltda.  
Caixa Postal 3187  
01060-970 Sao Paulo, SP  
Brazil

Océ-Canada Inc.  
4711 Yonge Street, Suite 1100  
Toronto, Ontario M2N 6K8  
Canada

Océ Office Equipment (Beijing) Co Ltd.  
Xu Mu Cheng  
Chaoyang District  
Beijing 100028  
China

Océ-Česká republika s.r.o.  
Hanusova 18  
14021 Praha 4  
Pankrác,  
Czech Republic

Océ-Danmark A.S.  
Kornmarksvej 6  
DK 2605 Brøndby  
Denmark

Océ-France S.A.  
32, Avenue du Pavé Neuf,  
93161 Noisy-le-grand, Cedex  
France

Océ-Deutschland GmbH  
Postfach 101454  
4330 Mülheim an der Ruhr (13)  
Deutschland

Océ (Hong Kong China) Ltd.  
12/F 1202 The Lee Gardens  
33 Hysan Avenue, Causeway Bay  
Hong Kong

Océ-Hungária Kft.  
P.O.B. 237  
1241 Budapest  
Hungary

Océ-Italia S.p.A.  
Strada Padana Superiore 2/B  
20063 Cernusco sul Naviglio (MI)  
Italia

Océ Systems (Malaysia Sdn. Bhd.)  
#3.01, Level 3, Wisma Academy  
Lot 4A, Jalan 19/1  
46300 Petalig Jaya  
Malaysia

Océ-Nederland B.V.  
P.O.Box 800  
5201 AV 's-Hertogenbosch  
The Netherlands

Océ Norge A/S  
Postboks 53, Grefsen  
0409 Oslo 4  
Norway

Océ-Poland Ltd.  
ul. Łopuszańska 53  
02-232 Warszawa  
Poland

Océ-Lima Mayer S.A.  
Av. José Gomes Ferreira, 11  
Ed. Atlas II Miraflores  
1495 Algés  
Portugal

Océ (Far East) Pte. Ltd./  
Océ (Singapore) Pte. Ltd.,  
#03-00 Wisma Gulab  
190 MacPherson Road  
Singapore 348548

Océ España SA  
Business Park MAS BLAU  
C/Osona 2, 2-3a Planta  
08820 El Prat del Llobregat (Barcelona)  
Spain

Océ-Svenska AB  
P.O.box 1231  
S-164 28 Kista  
Sweden

Océ-Schweiz AG  
Sägereistrasse 29  
CH8152 Glattbrugg  
Switzerland

Océ (Taiwan) Ltd.  
No. 99-24 Nan Kang Road Sec.2  
Taipeh, Taiwan  
Taiwan, RO

Océ (Thailand) Ltd.  
16th Floor, B.B. Building  
54 Asoke Road, Sukhumvit 21  
Bangkok 10110  
Thailand

Océ-U.K.Ltd.  
Langston Road  
Loughton, Essex IG10 3SL  
United Kingdom

Océ-USA Inc.  
5450 North Cumberland Av.  
Chicago, Ill. 60656  
U.S.A.

---

# Index

---

## A

access 108  
account center 145  
account console 149  
Account logic 147  
add a controller 143  
add toner 159  
    replace waste toner bag 159  
Advanced printing 35  
alphanumeric display 25  
applications 130  
apply 105  
auto-feed 75  
Automatic format selection 216  
Automatic logon 139  
automatically view a scanned file 92  
available material types and sizes 11, 214

---

## B

belt unit 196, 203  
binding method 198  
binding strip 198

---

## C

cancel key 64  
cleaner A 162  
clear media jam  
    fuser section 180  
    roll feed section 179  
clear paper jams  
    folder 182  
Clear set memory 41  
command line parameters 140  
Compact output stacker 213  
compression 80  
configuration report 33  
connect to a controller 143

Connecting 143  
connecting workstations 94  
controller  
    shut down 101  
    start up 101  
copy process  
    start 54  
cut media 32

---

## D

delete a scanned file 91  
deleting print jobs 127  
demo print 34  
destination 77, 78  
    delete 89  
    lock 88  
    unlock 89  
destination properties 90  
Diagnostic mode 41  
display (printer)  
    Error messages 44  
    Status messages 42  
Display language 140  
drawing method 198  
Drivers 212

---

## E

Energy Star 227

---

## F

file type 77  
folded copies 196  
folded package length 198  
folded package width 199  
folder 196  
Folder options  
    belt unit 196  
    reinforcement unit 196  
folding settings 200, 201  
FTP 93

---

## G

general control buttons 108  
get files 93

---

## H

help 140  
How to use the remote system 143

---

## I

input key 49  
install remote logic 131  
IP address. 38

---

## J

Japan support 16  
    destination names 88

---

## K

key operator settings 102  
keys 26  
    selection keys 26  
    stop 26

---

## L

language 140  
load media 152  
Log off 138  
Log on 138

---

## M

maintenance  
    glass platen 162  
    reference roller 162

    reinforcement unit 164  
make a scan  
    how to 75  
Manage print jobs 127  
manual feed 13, 61  
Material  
    types 214  
Material properties 158  
menu bar 104  
menu level indicator 25, 51  
move a job to top 128

---

## N

network settings 38  
    default gateway 38  
    IP address 38  
    subnetmask 38  
networksettings  
    DHCP server 38

---

## O

océ print exec workgroup 35  
Océ Remote Logic 129  
    User modes 137  
Océ Repro Desk 37  
Océ TDS400 applications  
    Queue Manager 15  
    scan manager 83  
    System Control Panel 14  
Océ TDS400 folder 195  
Océ TDS400 system 12  
off-line folding 200, 201  
on/off switch printer 27, 53  
on/off switch scanner 53  
optional  
    Automatic 2-roll unit 15  
    Compact output stacker 15  
    Graphical User Interface 16  
    Scan-to-File 16  
organization 80  
original guide line 54  
original jam 177  
output delivery tray 212

output key 49

---

## P

paper jam

- belt unit 187
- folder 182
- folder transport section 183
- reinforcement unit 189
- second fold section 184

paper series 41

- 21.59 cm 41
- DIN 41
- DIN CARTO 41
- mix 8.5/9 inch 41

password 139

Power Logic Controller 14

pre-cut copy material 61

print

- configuration report 33
- demo print 34
- menu card printer 33

print a scanned file 90

print exec workgroup 35

print queue 127

print with oce repro desk 37

printer 13

printer keys 26

printer menu 33

printer settings

- selecting language 38
- set a special media indication 29
- stopping print job 38

problems 176

product specifications 209

- Drivers and application software 212
- Power Logic controller 210
- Printer 209
- Remote Logic software 211
- Scan Logic 212

program media settings 157

properties of a scanned file 91

---

## Q

Queue Manager 122

- active print job window 122
- deleting print jobs 127
- functions 122
- introduction 15, 122
- menu bar 122
- modes 124
- move a job to top 128
- pausing print jobs 127
- possibilities 122
- print queue window 123
- restart paused print job 128
- restart paused print jobs 128
- structure 122
- viewing the print queue 127
- window 124

Queue Manager window 117

---

## R

refill toner 159

reinforce 198

Reinforcement strips 216

reinforcement unit 196, 202

release paper 75

Remote Logic

- languages 140

Repro Desk 37

repro operator settings 18, 102

resolution 77, 78

restart a paused print job 128

retrieve scanned files 93

rewind original 75

---

## S

Safety data sheets

- Océ TDS400 printer 225
- Océ TDS400 printer and scanner 226

safety data sheets 224

safety information 222

Scan jobs

- Leading and trailing strip 66

- Scan Manager
    - destination
      - lock 88
      - local destination 86
      - network destination 87
      - web destination 88
    - scanner 13
    - scanner display 50
    - scanner feed table 54
    - scanner operating panel
      - keys 49
  - Scan-to-file
    - destination
      - ftp 88
      - local 86
      - smb 87
    - scan-to-file
      - file name 89
      - password 74
      - settings 77
    - select language 38
    - selection keys 26
  - set
    - default gateway 40
    - IP address 39
    - language 38
    - media type 30
    - media width 30
    - paper series 41
    - Subnetmask 40
    - time-out manual feed 31
    - use DHCP server 39
  - Set default gateway 38
  - set media type and size 29
  - set memory 41
  - setting dependencies 102
  - settings area 106
  - Settings Editor 14
  - Stamping 68
  - standard cut 52
  - standard zoom formats 218
  - status bar 108
  - stop a copy job 64
  - stop key 26
  - Subnetmask 38
  - switching off
    - scanner 54
  - switching on
    - scanner 53
  - synchro cut 52
  - system administrator settings 102
  - System Control Panel (SCP)
    - icons 118
    - introduction 14, 116
    - structure 116
  - System menu 38
    - enter 39
- 
- T**
- table view 84
    - file properties 84
  - tape jam in reinforcement unit 190
  - temporary store 92
  - tiff subformat 80
  - time-out manual feed 31
  - top cover of the scanner 162, 177
  - tree structure 106
  - tree view 84
    - destinations 84
  - turn off
    - printer 28
  - turn off the printer 27
  - turn on
    - printer 27
  - Turn on the controller 28
  - turn on the printer 27
  - Turn the controller off 28
- 
- U**
- undo 105
  - Unix 133
  - update area 107
  - Use DHCP server 38
  - User modes 137
  - user modes 108
- 
- V**
- view a scanned file 90
  - View error 98

view printer status 115  
view station 95  
view station LT 74  
    see a scanned file 75

---

## **W**

waste box 171  
waste toner bag 159, 160  
width of the material 157  
work on a remote system 143

## Free Manuals Download Website

<http://myh66.com>

<http://usermanuals.us>

<http://www.somanuals.com>

<http://www.4manuals.cc>

<http://www.manual-lib.com>

<http://www.404manual.com>

<http://www.luxmanual.com>

<http://aubethermostatmanual.com>

Golf course search by state

<http://golfingnear.com>

Email search by domain

<http://emailbydomain.com>

Auto manuals search

<http://auto.somanuals.com>

TV manuals search

<http://tv.somanuals.com>