



Serial I/O SST16P DB and RJ Adapter  
37L1415 and 37L1423  
Installation Guide

---

# OPTIONS

*by IBM*

37L1477  
560155/A  
October 1998

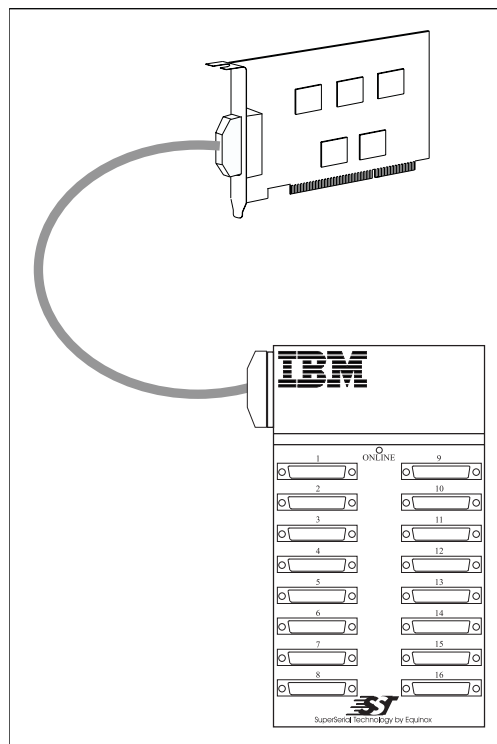
---

## Overview

IBM Serial I/O Adapters are intelligent, high-speed (up to 230.4 kbps on each port) *Multiport Boards* providing high performance serial I/O solutions for PCI bus systems. All port interfaces are standard RS-232 with full modem control and voltage surge protection on every pin.

IBM Serial I/O Adapters appear to the system host processor as memory. That is, they are memory mapped devices. Each Adapter is automatically mapped into system memory at the time of device driver installation. The device driver soft-configures all adapters each time the system is initialized (booted). See the Software Reference Manuals located on the CD ROM for detailed Device Driver information.

The IBM Serial I/O Adapter (see Figure 1 below) occupies a single PCI slot in the host computer and provides the intelligent functions to "off-load" the CPU serial communications processing tasks.



**Figure 1. Serial I/O SST16P Adapter**

---

## Installation

Note: Please refer to the user manual that came with your personal computer for detailed installation instructions.

Use the following procedure to install your Serial I/O Adapter Card:

1. Set the host computer system power switch to OFF and disconnect the power cord.
2. Locate a free PCI expansion slot.
3. Insert and secure the board firmly into the expansion slot.
4. Connect the Host SSP-16 (37L1476) cable between the SST-16P board and the Connector Panel (see Figure 1).
5. Replace the power cord and turn the host computer system ON.

---

## Software Installation

Refer to the Quick Start Card that came with the CD ROM for detailed instructions on loading the Software Driver

---

## Plug and Play

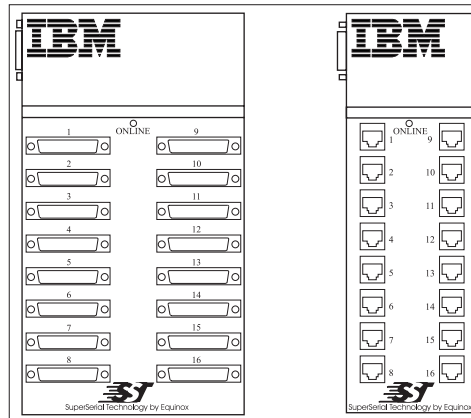
Peripheral Component Interconnect (PCI) system architecture has a design feature termed *Plug and Play*. This feature automatically detects, identifies and configures the *currently* installed devices each time the system is booted. Therefore, whenever an adapter card is installed (or removed) in a PCI system, the card is recognized and configured immediately upon restart.

---

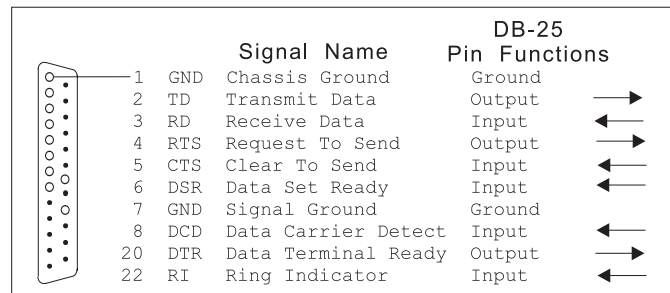
## Connector Panels

IBM Serial I/O Connector Panels (CP) provide sixteen RS-232 interfaces. There are two types of CPs available from IBM as shown in Figure 2. The CP-16 DB has sixteen male DTE connectors (Figure 3). The CP-16 RJ has sixteen 10-wire female RJ-45 connectors (Figure 4).

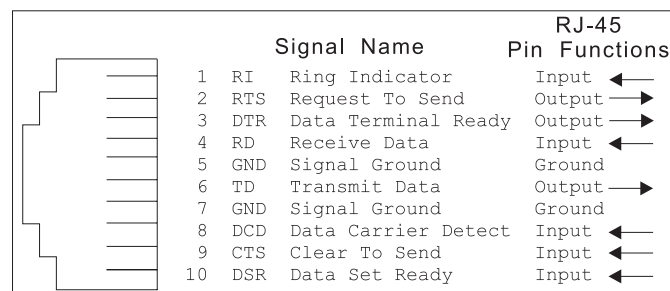
## Connector Panels (continued)



**Figure 2. SST-16P (37L1423) and SST-16P (37L1415) Connector Panels**



**Figure 3. SST-16P Connector Panel Pin-outs**



**Figure 4. SST-16P RJ Connector Panel Pin-outs**

## Port to Device Cabling

The following six figures show how to pin-out your own cables to go between CP-16 Connector Panel (CP) ports and your Terminals, Printers, Modems, etc.

### DB Connector Panel to Device Cabling

Figures 5 through 7 show the pin-outs required to make a cable to go between DB-25 ports and your Terminals, Printers, Modems, etc.

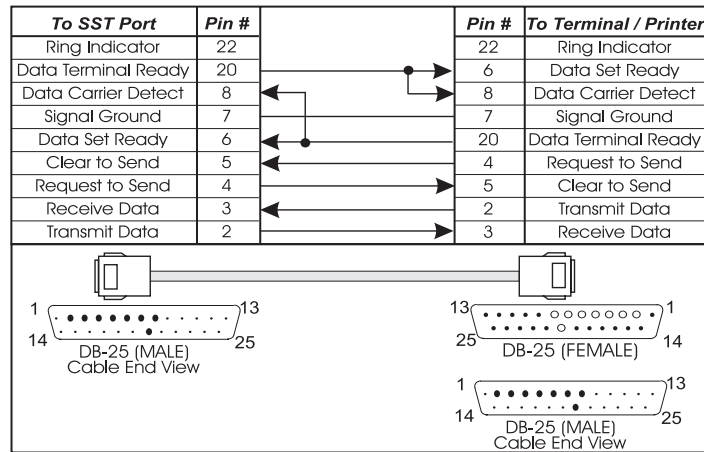


Figure 5. Cable Pin-Outs for CP DB-25 to Terminal/Printer DB-25

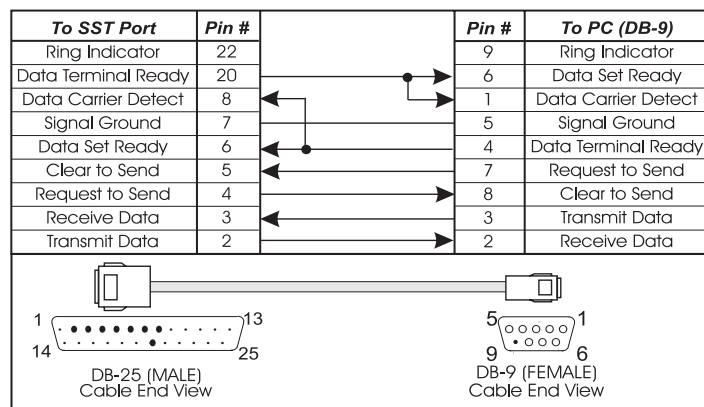


Figure 6. Cable Pin-Outs CP DB-25 to PC DB-9

## DB-25 Connector Panel to Device Cabling (continued)

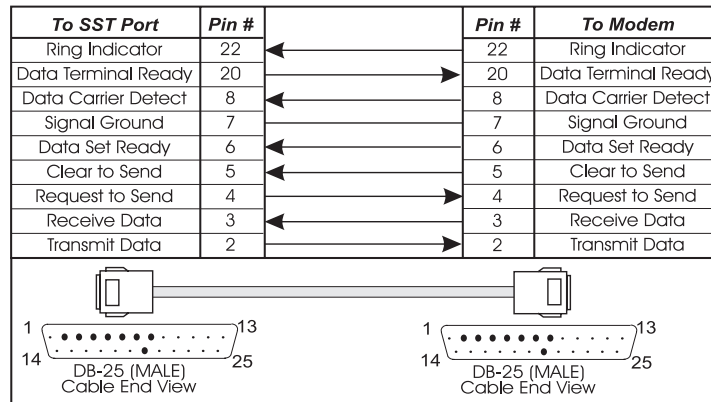


Figure 7. Cable Pin-Outs for CP DB-25 to Modem DB-25

## RJ-45 Connector Panel to Device Cabling

Figures 8 through 10 show the pin-outs required to make a cable to go between CP16 RJ-45 CP ports and your terminals, printers, modems, etc.

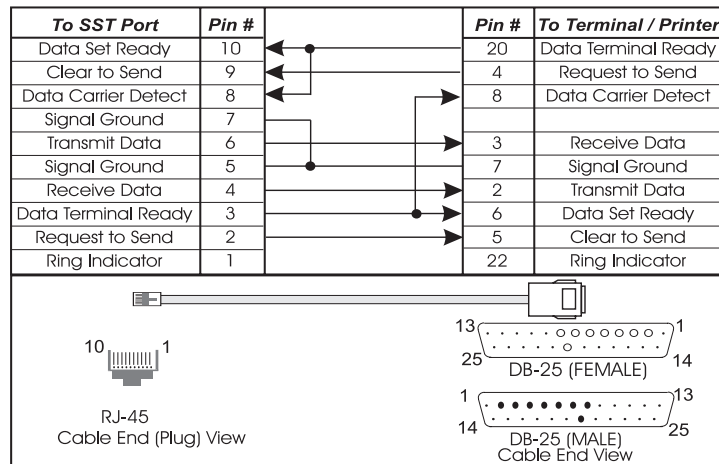


Figure 8. Cable Pin-Outs for CP-16 RJ-45 to Terminal/Printer DB-25

## RJ-45 Connector Panel to Device Cabling (continued)

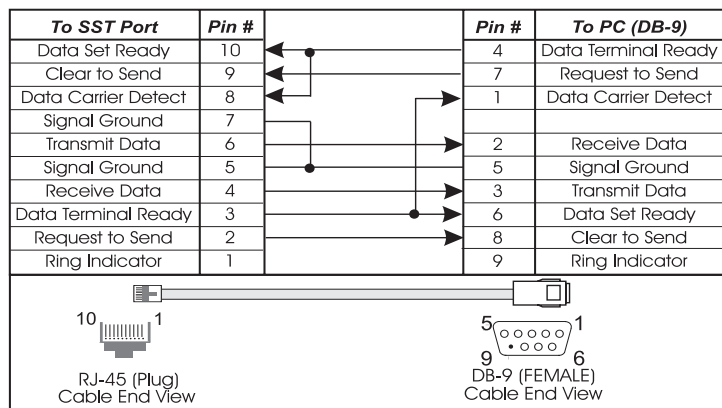


Figure 9. Cable Pin-Outs for CP-16 RJ-45 to PC (DB-9)

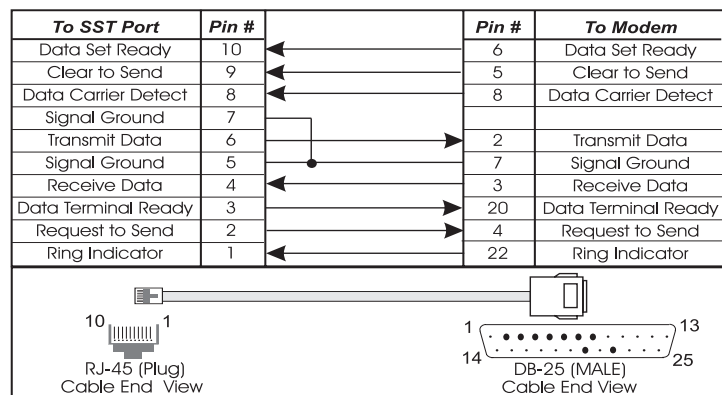


Figure 10. Cable Pin-Outs for CP-16 RJ-45 to Modem DB-25

---

## Help and Service Information

Before calling, please prepare for your call by following these steps:

### Preparing for the Call

To assist the technical support representative, have available as much of the following information as possible:

- Computer manufacturer and computer model.
- Options part number (Table 1).
- Options part name (Table 1).
- Serial number (if available).
- Proof of purchase (including date and place).
- Exact wording of the error message (if any)
- Description of the problem
- Hardware and software configuration information for your system

If possible, be at your computer. Your technical support representative might want to walk you through the problem during the call.

### Placing the Call to IBM

Technical support is available during the warranty period to answer any questions about your new IBM option. Support response time will vary depending on the number and nature of calls received.

Marketing, installation, and configuration support will be withdrawn from the PC Company HelpCenter 90 days after the option has been withdrawn from marketing.

If you call 90 days after the date of withdrawal or after your warranty has expired, you might be charged a fee. Additional support is available through the IBM PC Company automated Fax system, the PC Company Web Page, the PC Company Electronic Bulletin Board System and HelpWare offerings.

- The IBM web site at <http://www.pc.ibm.com>
- The IBM Fax system at (800) 426-3395 or (919) 517-0011
- The IBM BBS system at (919) 517-0001

For the support telephone and support hours by country, refer to the following table or to an optional enclosed technical support insert. If the number is not provided in the table or insert, contact your IBM reseller or IBM marketing representative.

---

#### Support 24 hours a day, 7 days a week

Canada	1-800-426-7378
United States/ Puerto Rico	1-800-426-7378

---



# IBM OPTIONS

IBM Part Number	PCI Serial I/O Adapters
37L1414	Serial I/O SST8P DB Adapter
37L1415	Serial I/O SST16P RJ Adapter
37L1423	Serial I/O SST16P DB Adapter
37L1416	Serial I/O SST128 Expandable Adapter
37L1417	Serial I/O PM16RJ Port Module
37L1418	Serial I/O PM16DB Port Module
37L1421	Serial I/O PS4 Power Supply
37L1422	Serial I/O PS4 WT Power Supply
37L1419	Serial I/O 16RJ Multiplexer Set
37L1420	Serial I/O 16DB Multiplexer Set
37L1424	Serial I/O 16RJ WT Multiplexer Set
37L1425	Serial I/O 16DB WT Multiplexer Set

*Table 1 Options Parts Names and Numbers*

---

## Cable Options

Please refer to [www.equinox.com](http://www.equinox.com) for cabling alternatives.

---

## Product Warranty

The following warranty information applies to products purchased in the United States, Canada, and Puerto Rico. For warranty terms and conditions for products purchased in other countries, see the enclosed Warranty insert, or contact your IBM reseller or IBM marketing representative. International Business Machines Corporation Armonk, New York, 10504

## Statement of Limited Warranty

*The warranties provided by IBM in this Statement of Limited Warranty apply only to Machines you originally purchase for your use, and not for resale, from IBM or your reseller. The term "Machine" means an IBM machine, its features, conversions, upgrades, elements, or accessories, or any combination of them.*

*Unless IBM specifies otherwise, the following warranties apply only in the country where you acquire the Machine. If you have any questions, contact IBM or your reseller.*

## Production Status

Each Machine is manufactured from new parts, or new and used parts. In some cases, the Machine may not be new and may have been previously installed. Regardless of the Machine's production status, IBM's warranty terms apply.

## The IBM Warranty for Machines

IBM warrants that each Machine

- 1) is free from defects in materials and workmanship and
- 2) conforms to IBM's Official Published Specifications.

The warranty period for a Machine is a specified, fixed period commencing on its Date of Installation. The date on your receipt is the Date of Installation, unless IBM or your reseller informs you otherwise. During the warranty period IBM or your reseller, if authorized by IBM, will provide warranty service under the type of service designated for the Machine and will manage and install engineering changes that apply to the Machine.

For IBM or your reseller to provide warranty service for a feature, conversion, or upgrade, IBM or your reseller may require that the Machine on which it is installed be:

- 
- 1) for certain Machines, the designated, serial-numbered Machine and
  - 2) at an engineering-change level compatible with the feature, conversion, or upgrade.

Many of these transactions involve the removal of parts and their return to IBM.

You represent that all removed parts are genuine and unaltered. A part that replaces a removed part will assume the warranty service status of the replaced part.

If a Machine does not function as warranted during the warranty period, IBM or your reseller will repair it or replace it with one that is at least functionally equivalent, without charge. The replacement may not be new, but will be in good working order. If IBM or your reseller is unable to repair or replace the Machine, you may return it to your place of purchase and your money will be refunded.

If you transfer a Machine to another user, warranty service is available to that user for the remainder of the warranty period. You should give your proof of purchase and this Statement to that user. However, for Machines which have a life-time warranty, this warranty is not transferable.

### **Warranty Service**

To obtain warranty service for the Machine, you should contact your reseller or call IBM.

In the United States call IBM at	<b>1-800-426-7378</b>
In Canada, call IBM at	<b>1-800-426-7378</b>
<i>You may be required to present proof of purchase</i>	

IBM or your reseller will provide certain types of repair and exchange service, either at your location or at IBM's or your reseller's service center, to restore a Machine to good working order.

When a type of service involves the exchange of a Machine or part, the item IBM or your reseller replaces becomes its property and the replacement becomes yours.

You represent that all removed items are genuine and unaltered. The replacement may not be new, but will be in good working order and at

---

least functionally equivalent to the item replaced. The replacement assumes the warranty service status of the replaced item. Before IBM or your reseller exchanges a Machine or part, you agree to remove all features, parts, options, alterations, and attachments not under warranty service. You also agree to ensure that the Machine is free of any legal obligations or restrictions that prevent its exchange.

You agree to:

1. obtain authorization from the owner to have IBM or your reseller service a Machine that you do not own; and
2. where applicable, before service is provided —
  - a) follow the problem determination, problem analysis, and service request procedures that IBM or your reseller provide,
  - b) secure all programs, data, and funds contained in a Machine, and
  - c) inform IBM or your reseller of changes in a Machine's location.

IBM is responsible for loss of, or damage to, your Machine while it is 1) in IBM's possession or 2) in transit in those cases where IBM is responsible for the transportation charges.

### **Extent of Warranty**

IBM does not warrant uninterrupted or error-free operation of a Machine.

The warranties may be voided by misuse, accident, modification, unsuitable physical or operating environment, improper maintenance by you, removal or alteration of Machine or parts identification labels, or failure caused by a product for which IBM is not responsible.

THESE WARRANTIES REPLACE ALL OTHER WARRANTIES OR CONDITIONS, EXPRESS OR IMPLIED, INCLUDING, BUT NOT LIMITED TO, THE IMPLIED WARRANTIES OR CONDITIONS OF MERCHANTABILITY AND FITNESS FOR A PARTICULAR PURPOSE. THESE WARRANTIES GIVE YOU SPECIFIC LEGAL RIGHTS AND YOU MAY ALSO HAVE OTHER RIGHTS WHICH VARY FROM JURISDICTION TO JURISDICTION. SOME JURISDICTIONS DO NOT ALLOW THE EXCLUSION OR LIMITATION OF EXPRESS OR IMPLIED WARRANTIES, SO THE ABOVE EXCLUSION OR LIMITATION MAY NOT APPLY TO YOU. IN THAT EVENT SUCH WARRANTIES ARE LIMITED IN DURATION TO THE WARRANTY PERIOD. NO WARRANTIES APPLY AFTER THAT PERIOD.

---

## Limitation of Liability

Circumstances may arise where, because of a default on IBM's part or other liability you are entitled to recover damages from IBM. In each such instance, regardless of the basis on which you are entitled to claim damages from IBM (including fundamental breach, negligence, misrepresentation, or other contract or tort claim), IBM is liable only for:

1. damages for bodily injury (including death) and damage to real property and tangible personal property; and
2. the amount of any other actual direct damages or loss, up to the greater of U.S. \$100,000 or the charges (if recurring, 12 months' charges apply) for the Machine that is the subject of the claim.

UNDER NO CIRCUMSTANCES IS IBM LIABLE FOR ANY OF THE FOLLOWING:

- 1) THIRD-PARTY CLAIMS AGAINST YOU FOR LOSSES OR DAMAGES (OTHER THAN THOSE UNDER THE FIRST ITEM LISTED ABOVE);
- 2) LOSS OF, OR DAMAGE TO, YOUR RECORDS OR DATA;
- 3) SPECIAL, INCIDENTAL, OR INDIRECT DAMAGES OR FOR ANY ECONOMIC CONSEQUENTIAL DAMAGES (INCLUDING LOST PROFITS OR SAVINGS), EVEN IF IBM OR YOUR RESELLER IS INFORMED OF THEIR POSSIBILITY. SOME JURISDICTIONS DO NOT ALLOW THE EXCLUSION OR LIMITATION OF INCIDENTAL OR CONSEQUENTIAL DAMAGES, SO THE ABOVE EXCLUSION OR LIMITATION MAY NOT APPLY TO YOU.

---

## Trademarks

The following terms used in this publication, are Trademarks of the IBM Corporation in the United States or other countries:

**IBM HelpCenter**

Windows NT, Windows95 and Windows98 are Trademarks or Registered Trademarks of Microsoft Corporation.

Equinox is a Registered Trademark of Equinox Systems, Inc.

Other company, product, and service names, which may be denoted by a double asterisk (\*\*), may be trademarks or service marks of others.

---

## **Electronic Emission Notices**

### **Federal Communications Commission (FCC) Statement**

**Note:** This equipment has been tested and found to comply with the limits for a Class A digital device, pursuant to Part 15 of the FCC Rules. These limits are designed to provide reasonable protection against harmful interference when the equipment is operated in a commercial environment. This equipment generates, uses, and can radiate radio frequency energy and, if not installed and used in accordance with the instruction manual, may cause harmful interference to radio communications. Operation of this equipment in a residential area is likely to cause harmful interference, in which case the user will be required to correct the interference at his own expense.

Properly shielded and grounded cables and connectors must be used in order to meet FCC emission limits. IBM is not responsible for any radio or television interference caused by using other than recommended cables and connectors or by unauthorized changes or modifications to this equipment. Unauthorized changes or modifications could void the user's authority to operate the equipment.

This device complies with Part 15 of the FCC Rules. Operation is subject to the following two conditions: (1) this device may not cause harmful interference, and (2) this device must accept any interference received, including interference that may cause undesired operation.

### **Industry Canada Class A Emission Compliance Statement**

This Class A digital apparatus complies with Canadian ICES-003.

### **Avis de conformité à la réglementation d'Industrie Canada**

Cet appareil numérique de la classe A est conforme à la norme NMB-003 du Canada.

---

## Deutsche EMV-Direktive (electromagnetische Verträglichkeit)

Dieses Gerät ist berechtigt in Übereinstimmung mit dem deutschen EMVG vom 9.Nov.92 das EG-Konformitätszeichen zu führen.

Der Aussteller der Konformitätserklärung ist die IBM UK, Greenock.

Dieses Gerät erfüllt die Bedingungen der EN 55022 Klasse A. Für diese Klasse von Geräten gilt folgende Bestimmung nach dem EMVG:

Geräte dürfen an Orten, für die sie nicht ausreichend entstört sind, nur mit besonderer Genehmigung des Bundesministers für Post und Telekommunikation oder des Bundesamtes für Post und Telekommunikation betrieben werden. Die Genehmigung wird erteilt, wenn keine elektromagnetischen Störungen zu erwarten sind.

(Auszug aus dem EMVG vom 9.Nov.92, Para.3. Abs.4)

**Hinweis:** Dieses Genehmigungsverfahren ist von der Deutschen Bundespost noch nicht veröffentlicht worden.

## European Union - EMC Directive

This product is in conformity with the protection requirements of EU Council Directive 89/336/EEC on the approximation of the laws of the Member States relating to electromagnetic compatibility.

IBM cannot accept responsibility for any failure to satisfy the protection requirements resulting from a non-recommended modification of the product, including the fitting of non-IBM option cards.

This product has been tested and found to comply with the limits for Class A Information Technology Equipment according to CISPR 22 / European Standard EN 55022. The limits for Class A equipment were derived for commercial and industrial environments to provide reasonable protection against interference with licensed communication equipment.

**Warning:** This is a Class A product. In a domestic environment this product may cause radio interference in which case the user may be required to take adequate measures.

---

## Union Européenne - Directive Conformité électromagnétique

Ce produit est conforme aux exigences de protection de la Directive 89/336/EEC du Conseil de l'UE sur le rapprochement des lois des États membres en matière de compatibilité électromagnétique.

IBM ne peut accepter aucune responsabilité pour le manquement aux exigences de protection résultant d'une modification non recommandée du produit, y compris l'installation de cartes autres que les cartes IBM.

Ce produit a été testé et il satisfait les conditions de l'équipement informatique de Classe A en vertu de CISPR22 / Standard européen EN 55022. Les conditions pour l'équipement de Classe A ont été définies en fonction d'un contexte d'utilisation commercial et industriel afin de fournir une protection raisonnable contre l'interférence d'appareils de communication autorisés.

**Avvertissement :** Ceci est un produit de Classe A. Dans un contexte résidentiel, ce produit peut causer une interférence radio exigeant que l'utilisateur prenne des mesures adéquates.

## Union Europea - Normativa EMC

Questo prodotto è conforme alle normative di protezione ai sensi della Direttiva del Consiglio dell'Unione Europea 89/336/CEE sull'armonizzazione legislativa degli stati membri in materia di compatibilità elettromagnetica.

IBM non accetta responsabilità alcuna per la mancata conformità alle normative di protezione dovuta a modifiche non consigliate al prodotto, compresa l'installazione di schede e componenti di marca diversa da IBM.

Le prove effettuate sul presente prodotto hanno accertato che esso rientra nei limiti stabiliti per le apparecchiature di informatica Classe A ai sensi del CISPR 22 / Norma Europea EN 55022. I limiti delle apparecchiature della Classe A sono stati stabiliti al fine di fornire ragionevole protezione da interferenze mediante dispositivi di comunicazione in concessione in ambienti commerciali ed industriali.

**Avvertimento:** Questo è un prodotto appartenente alla Classe A. In ambiente domestico, tale prodotto può essere causa di interferenze radio, nel qual caso l'utente deve prendere misure adeguate.



---

## Unione Europea - Directiva EMC (Conformidad electromagnética)

Este producto satisface los requisitos de protección del Consejo de la UE, Directiva 89/336/CEE en lo que a la legislatura de los Estados Miembros sobre compatibilidad electromagnética se refiere.

IBM no puede aceptar responsabilidad alguna si este producto deja de satisfacer dichos requisitos de protección como resultado de una modificación no recomendada del producto, incluyendo el ajuste de tarjetas de opción que no sean IBM.

Este producto ha sido probado y satisface los límites para Equipos Informáticos Clase A de conformidad con el Estándar CISPR22 y el Estándar Europeo EN 55022. Los límites para los equipos de Clase A se han establecido para entornos comerciales e industriales a fin de proporcionar una protección razonable contra las interferencias con dispositivos de comunicación licenciados.

**Advertencia:** Este es un producto de Clase A. En un entorno doméstico este producto podría causar radiointerferencias en cuyo caso el usuario deberá tomar las medidas adecuadas.

この装置は、情報処理装置等電波障害自主規制協議会（VCCI）の基準に基づくクラスA情報技術装置です。この装置を家庭環境で使用すると電波妨害を引き起こすことがあります。この場合には使用者が適切な対策を講ずるよう要求されることがあります。

警告使用者： 這是甲類的資訊產品，在居住的環境中使用時，可能會造成射頻干擾，在這種情況下，使用者會被要求採取某些適當的對策。

---

© 1998 IBM. All rights reserved. Reproduction without permission prohibited.

IBM makes no representations or warranties with respect to the contents hereof and specifically disclaims any implied warranties of merchantability or fitness for any particular purpose. Information is subject to change without notice and does not represent a commitment on the part of IBM.

## Free Manuals Download Website

<http://myh66.com>

<http://usermanuals.us>

<http://www.somanuals.com>

<http://www.4manuals.cc>

<http://www.manual-lib.com>

<http://www.404manual.com>

<http://www.luxmanual.com>

<http://aubethermostatmanual.com>

Golf course search by state

<http://golfingnear.com>

Email search by domain

<http://emailbydomain.com>

Auto manuals search

<http://auto.somanuals.com>

TV manuals search

<http://tv.somanuals.com>