



# 12x8x32 Internal IDE CD-RW Drive

---

*User's Guide*

OPTIONS  
*by IBM*

**Note:** Before using this information and the product it supports, read the information under Appendix D, “Product warranties and notices” on page D-1.

**12x8x32 Internal IDE CD-RW Drive User’s Guide**

First Edition (January 2001)

© **Copyright International Business Machines Corporation 2001. All rights reserved.**  
US Government Users Restricted Rights – Use, duplication or disclosure restricted by  
GSA ADP Schedule Contract with IBM Corp.

---

## Contents

About this book . . . . .	v
Safety: Read first . . . . .	vii
Part 1: Installation and user's guide . . . . .	1-1
Appendix A. Product specifications . . . . .	A-1
Appendix B. Problem Solving . . . . .	B-1
Appendix C. Customizing the device-driver configuration settings	C-1
Appendix D. Help and service information . . . . .	D-1
Appendix E. Product warranties and notices . . . . .	E-1



---

## About this book

This manual contains instructions for installing, configuring, and troubleshooting the IBM® 12x8x32 Internal IDE CD-RW Drive. The manual is divided into two parts:

### Part 1: Installation and user's guide

This guide contains abbreviated installation instructions.

This guide also contains the product description and expanded installation instructions in the following languages:

- English
- French
- Spanish
- Italian
- Brazilian Portuguese
- Traditional Chinese
- Japanese

### Part 2: Appendixes

The appendixes contain device-driver special configuration settings and help and service information. It also contains the product warranties and notices.

**Note:** The illustrations in this manual might be slightly different from your hardware.

---

## Registering your option

Thank you for purchasing OPTIONS by IBM. Please take a few moments to register your product and provide us with information that will help IBM to better serve you in the future. Your feedback is valuable to us in developing products and services that are important to you, as well as in developing better ways to communicate with you. Register your option on the IBM Web site at

<http://www.ibm.com/pc/register>

IBM will send you information and updates on your registered product unless you indicate on the Web site questionnaire that you do not want to receive further information.



---

## Safety: Read first

Before installing this product, read the Safety Information.

مج، يجب قراءة دات السلامة

Antes de instalar este produto, leia as Informações de Segurança.

在安装本产品之前，请仔细阅读 **Safety Information** (安全信息)。

Prije instalacije ovog produkta obavezno pročitajte Sigurnosne Upute.

Před instalací tohoto produktu si přečtete příručku bezpečnostních instrukcí.

Læs sikkerhedsforskrifterne, før du installerer dette produkt.

Ennen kuin asennat tämän tuotteen, lue turvaohjeet kohdasta Safety Information.

Avant d'installer ce produit, lisez les consignes de sécurité.

Vor der Installation dieses Produkts die Sicherheitshinweise lesen.

Πριν εγκαταστήσετε το προϊόν αυτό, διαβάστε τις πληροφορίες ασφάλειας (safety information).

לפני שתתקינו מוצר זה, קראו את הוראות הבטיחות.

A termék telepítése előtt olvassa el a Biztonsági előírásokat!

Prima di installare questo prodotto, leggere le Informazioni sulla Sicurezza.

製品の設置の前に、安全情報をお読みください。

본 제품을 설치하기 전에 안전 정보를 읽으십시오.

Пред да се инсталира овој продукт, прочитајте информацијата за безбедност.

Lees voordat u dit product installeert eerst de veiligheidsvoorschriften.

Les sikkerhetsinformasjonen (Safety Information) før du installerer dette produktet.

Przed zainstalowaniem tego produktu, należy zapoznać się z książką "Informacje dotyczące bezpieczeństwa" (Safety Information).

Antes de instalar este produto, leia as Informações sobre Segurança.

Перед установкой продукта прочтите инструкции по технике безопасности.

Pred inštaláciou tohto zariadenia si pečítajte Bezpečnostné predpisy.

Pred namestitvijo tega proizvoda preberite Varnostne informacije.

Antes de instalar este producto lea la información de seguridad.

Läs säkerhetsinformationen innan du installerar den här produkten.

安裝本產品之前，請先閱讀「安全資訊」。



---

## Part 1: Installation and user's guide

This part of the manual consists of an introduction, installation instructions, and instructions for using and maintaining this 12x8x32 CD-ReWritable (CD-RW) drive.

---

### Introduction

This section describes this option and the software that comes with it. This section also contains some information you will need before you install the option.

### Product description

The IBM 12x8x32 CD-RW drive can write and read CD-RW and CD-Recordable (CD-R) discs, and can read mass-produced stamped CDs. CDs created with this drive are compatible with Multi-Read (MR) CD-ROM and DVD-ROM drives that can read CD-RW discs and other media, and with older non-MR CD-ROM drives that can read only CD-R and CD-ROM discs.

The drive can write to a CD-R disc at up to 12 times the standard CD-ROM speed, recording data at up to 1800 KB<sup>1</sup> per second. At this rate, the drive can record approximately 650 MB of information on a CD-R disc in about 6 minutes. The drive writes to CD-RW and CD-R discs at different speeds. The drive can write to a high speed CD-RW disc at up to eight times the standard CD-ROM speed, recording data at up to 1200 KB per second. At this rate, the drive can record approximately 530 MB<sup>2</sup> of information on a CD-RW disc in about 9 minutes. The drive can also read data at up to 32 times the standard CD-ROM speed, or 4800 KB per second.

**Note:** To use the CD-recording function, you must install the Easy CD Creator 4 or DirectCD software (included) for Microsoft<sup>®</sup> Windows<sup>®</sup> 95, Windows<sup>®</sup> 98, or Windows NT<sup>®</sup> 4.0, Windows<sup>®</sup> 2000, and Windows<sup>®</sup> Millennium (Me). For more information on the Easy CD Creator 4 and DirectCD software, see "Step 10. Installing the Easy CD Creator and DirectCD software" on page 1-9. The 12x8x32 can write high speed and standard CD-R and CD-RW media.

The CD-RW drive can be installed only in a computer that uses the integrated drive electronics (IDE) or the enhanced IDE architecture.

---

1. KB equals approximately 1024 bytes when referring to data transfer speeds.

2. MB equals approximately 1 000 000 bytes when referring to storage capacity.

In addition to this manual, the option kit includes:

- CD-RW drive
- Two audio cables
- Four mounting screws
- one IDE cable
- Two bezels<sup>3</sup> for use with certain computers
- Adaptec Easy CD Creator and DirectCD software disc
- Laser Safety Guide for CD-ROMs
- Electrical safety booklet

Contact your place of purchase if an item is missing or damaged. Be sure to retain your proof of purchase. It might be required to receive warranty service. See Appendix D for warranty information.

## Software description

The Adaptec Easy CD Creator and DirectCD disc contains programs that work with Windows 95, Windows 98, Windows Me, Windows 2000, and Windows NT Workstation 4.0. You can use the programs with your CD-RW drive to create audio and data CDs, to copy CDs, and to make jewel case inserts or CD labels. This manual will give you basic instructions on using the software so that you can get started creating CDs. Additional information about the software and how to use it can be found in the online user's guide on the software disc.

---

## Before you begin

Read the following information before you start your installation. You must complete the following steps to install the drive:

1. Determine which IDE port to use and the corresponding configuration setting.
2. Place or change the configuration jumper on the drive (and possibly make changes to the configuration jumpers of other devices).
3. Install the drive in a drive bay.
4. Configure the system.
5. Install a device driver.

If you do not understand these procedures or are unsure about your ability to perform all the procedures described a qualified computer technician to install the CD-RW drive for you.

---

3. If you purchased the black option kit, you will receive one black bezel.

## System requirements

Before you begin installing the drive, be sure your computer meets the following system requirements.

- Minimum microprocessor: Intel® Pentium® processor (or the equivalent)
- Minimum RAM: 32 MB<sup>4</sup>
- Available IDE connection
- Available internal power connection
- Available 5.25-in. drive bay
- One of the following operating systems:
  - Microsoft Windows NT Workstation 4.0
  - Microsoft Windows 95, Windows 98 or Windows Me
  - Microsoft Windows 2000

You might need a flathead or Phillips screwdriver to complete the installation. You might also need to refer to the documentation that comes with your computer. Be sure to have this documentation available.

## Handling Instructions

To protect your CD-RW drive during installation, observe the following precautions:

- Handle the drive with care. Dropping or jarring the drive can damage the components inside the drive housing.
- Keep the CD-RW drive in its antistatic bag until you are ready to install the drive in your computer. Limit your movement. Movement can cause static electricity buildup.
- Do not force insertion of the power cable. Doing so might damage the connector or the drive.

---

## Product views

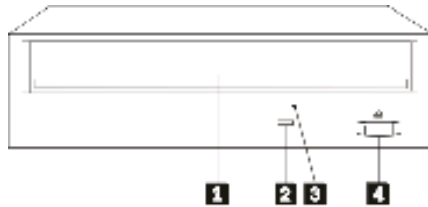
The following sections illustrate the front and back views of the CD-RW drive.

---

4. When referring to memory storage capacity, MB means approximately 1 000 000 bytes; total user-accessible capacity may vary depending on operating environment.

## Front view of the drive

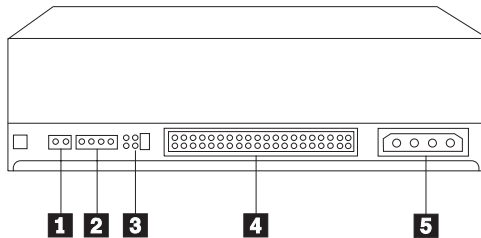
Refer to the following illustrations to identify parts that might be referred to in the installation instructions.



- 1 CD tray.** Use this tray to load and unload a CD.
- 2 Busy indicator.** This light comes on when the drive reads from, writes to, or plays a CD.
- 3 Manual-eject hole.** This hole provides access to the eject mechanism to remove a CD from the drive, when normal procedures do not work.
- 4 Eject/Load button.** When pushed, this button opens or closes the CD tray.

## Back view of the drive

Refer to the following illustrations to identify parts that might be referred to in the installation instructions.



- 1 Reserved.**
- 2 Audio-out connector.** Use this connector to attach the CD-RW drive to a sound adapter.
- 3 Configuration pins.** These pins are used to set the drive configuration.
- 4 IDE connector.** Use this connector to attach the CD-RW drive to the IDE cable.

**5 DC-power connector.** Use this connector to attach the CD-RW drive to the computer power supply cord.

---

## Installing the Drive

To install the drive into your computer, use the following steps.

### Step 1. Opening the computer

To open your computer, do the following:

1. Turn off the computer and all attached devices.
2. Unplug the power cords for the computer and all attached devices.
3. Remove the cover from the computer.

### Step 2. Unpacking the drive

To unpack the drive, do the following:

1. In order to discharge any accumulated static electricity, touch an unpainted metal surface for at least two seconds. Take the bag that the drive is packed in and touch it to an unpainted metal surface for at least two seconds.
2. Remove the drive from the bag.

If you must put the drive down, place the antistatic bag on a flat padded surface, such as a magazine, and place the drive on the bag with the component side facing up.

### Step 3. Selecting an IDE port

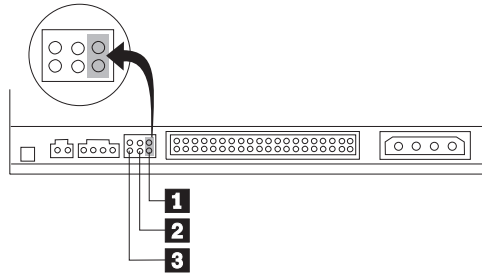
Newer computers typically have two IDE ports. If your computer has two IDE ports, use the secondary IDE port to connect the CD-RW drive. Typically the secondary IDE port is adjacent to the primary IDE port that connects to your hard disk drive. The IDE port you select and the cable position you select will determine which configuration jumper setting you will use for the drive. See “Step 4. Setting the configuration jumper” on page 1-7 for instructions on setting the configuration jumper.

- If you have two IDE ports, connect the CD-RW drive to the secondary IDE port with the IDE cable that comes with your drive. If the CD-RW drive is the only device on the secondary IDE port, you will use the master configuration setting. If there is another device on the secondary port in addition to the CD-RW drive, you will use the slave configuration setting.
- If you must attach the CD-RW drive to the same IDE port as a faster device, such as a hard disk drive, use the slave setting for the CD-RW drive and the master setting for the faster device. In some instances, the hard disk drive might require a master-with-slave-present setting when another device on the same cable is configured as a slave. For further information on setting configuration jumpers on other devices, refer to the documentation that came with your computer or with the device in question.

- Some non-IBM computers support the cable-select setting, where the position of the device on the cable determines whether a device is master or slave. See the documentation that comes with your computer to determine if your system supports this setting.

## Step 4. Setting the configuration jumper

The following illustration shows the master **1** setting, the slave **2** setting, and the cable-select **3** setting. Configure the CD-RW drive by placing a jumper over one pair of pins corresponding to the setting you chose in Step 3.



- If you are configuring the drive as master, set the jumper to the master **1** device setting. (This is how the drive is set when it is shipped.) If there is a second device on the IDE port, check that the device is configured as slave.
- If you are configuring the drive as slave, set the jumper to the slave **2** device setting. Check that the other device on the IDE port is configured as master (or master-with-slave-present).
- If you are configuring the drive as cable-select, set the jumper to the cable-select **3** device setting. If there is another device on the IDE port, check that the device is also configured for cable-select.

## Step 5. Mounting the drive in the bay

**Attention:** Be sure to use the mounting screws in the option package when you are driving screws directly into the drive. Using screws that are too long might damage the drive.

You can mount the CD-RW drive in the computer either horizontally or vertically. If you mount the drive vertically, you must secure any CDs you place into the drive before you close the drive tray, or the CD-RW drive will not be able to read the CD properly. For further instructions on securing your CDs in a vertically mounted drive, see “Loading a CD” on page 1-13.

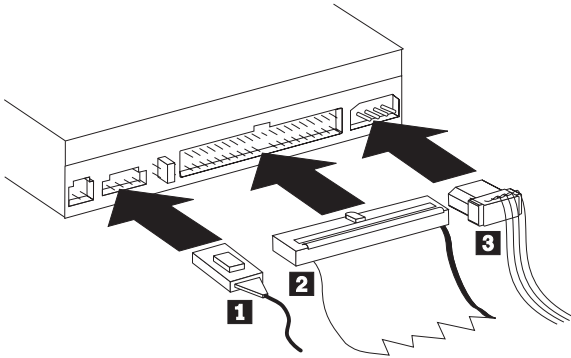
1. Slide the drive into the bay. Your computer might have specific required procedures for installing storage devices. Refer to the documentation that came with your computer for further instructions.
2. Align the drive-bay screw holes with the threaded holes in the drive housing or mounting bracket. Be sure to use the mounting screws provided

with this drive. Using the wrong size screws might damage the drive. Thread the screws in loosely to check their position. Usually two screws are used on each side.

3. Check to make sure the alignment is correct, and then tighten the screws to secure the drive. Do not overtighten.

## Step 6. Attaching the cables to the drive

Connect the cables to the CD-RW drive as follows:



1. If you want to connect the CD-RW drive to your sound adapter or to the sound function on your system board, locate the included audio cables and determine which cable best fits the CD audio-in port on your sound adapter. Connect one end of the selected audio cable to the CD-RW drive audio-out connector **1**, and the other end of the cable to your sound adapter CD audio-in port. Save the other cable in case you use a different sound adapter in the future.
2. Attach a 40-pin IDE-cable connector **2** to the IDE connector on the drive. Align the cable so that the color-coded edge is closest to the power cable connector **3**. Use the IDE cable provided with this option if there is no cable attached to the IDE port or if there is only one device connector on the IDE cable. If you use the included IDE cable, attach one end of the cable to your system board IDE port or to your IDE adapter, and the other end of the IDE cable to the CD-RW drive.
3. Locate one of the available power cables attached to your computer power source. Attach the four-pin power cable **3** to the CD-RW drive dc power connector.

## Step 7. Completing the hardware installation

To complete the hardware installation, do the following:

1. Be sure that the drive is securely mounted and the connectors are firmly attached.



2. Be sure the cables do not interfere with the computer cover and do not block the power-supply fan blades or air-flow paths.
3. Reinstall the computer cover.
4. Reconnect all devices and check any devices that might have become disconnected, such as the keyboard, mouse, and monitor.
5. Connect all power cords to electrical outlets.

## Step 8. Attaching the bezels

This option package includes two bezels that conform to the curved design of some computers. If your computer has a curved design, you can attach one of the included bezels so that the front of the CD-ROM drive matches the exterior cabinet. Choose the bezel that best fits your computer, and then attach it after you have mounted the CD-RW drive in the appropriate bay.

**Note:** Depending on the exterior design of your computer, you might need to attach the bezel before replacing the computer cover.

## Step 9. Updating your computer configuration

After you have completed the hardware installation, restart your computer. Usually, the configuration-setup information screen is displayed when you turn on your computer. If you don't see this screen, check your computer documentation for information about accessing the configuration or setup utility program.

To see the configuration information for most IBM computers, press F1 during startup when the IBM graphic displays in the upper right corner of the screen. When you have finished reviewing the information, save the changes and exit.

## Step 10. Installing the Easy CD Creator and DirectCD software

To install the Easy CD Creator and DirectCD software, do the following:

**Note:** Be sure to see the README file on the Adaptec Easy CD Creator and DirectCD CD for the latest information about the Easy CD Creator and DirectCD software.

The Easy CD Creator and DirectCD contains the following programs:

- Easy CD Creator
- DirectCD

To fully use the capabilities of your CD-RW drive, you need to install both the Easy CD Creator and DirectCD programs. If you also have an MR CD-ROM or DVD-ROM drive in your computer, you might need to install a UDF Reader program to read certain CD-R or CD-RW discs in these drives.

To install the Easy CD Creator and DirectCD software for Windows 98, Windows 95, Windows Me, Windows 2000, or Windows NT 4.0, do the following steps:

1. Insert the Easy CD Creator and DirectCD disc into your CD-RW drive.
2. If the Adaptec Easy CD Creator Installation window opens, follow the onscreen instructions. If not, continue to the next step.
3. Click **Start --> Settings --> Control Panel**.
4. Double-click **Add/Remove Programs**.
5. Follow the on-screen instructions to complete the installation. Repeat as necessary to install each of the Easy CD Creator and DirectCD components.
6. If your option package includes an update diskette for the Adaptec software, insert it when prompted.
7. Restart your operating system.

### **Installing the UDF reader software for Windows 95, Windows 98, Windows Me, Windows 2000, and Windows NT 4.0**

The UDF reader software is provided to read discs written with DirectCD on PCs that do not have DirectCD installed. When you install DirectCD on your system, a copy of the UDF reader installer is copied to your system as well. You can install the UDF reader on other PCs to read your own UDF-created discs. The location of the UDF reader installer varies depending on your operating system and language selection.

To install the UDF reader, do the following:

1. Select **Start-->Find-->Files** or **Start-->Find-->Folders**.
2. Search your computer's hard drive for the file UDFRINST.EXE.
3. Copy the file UDFRINST.EXE from the found files list to a diskette.
4. Take the diskette to the computer with which you wish to read your DirectCD discs.
5. On the new system, click **My Computer**, click the diskette icon, and then click the UDFRINST.EXE icon.
6. Follow the onscreen instructions to complete the software installation.
7. Restart the PC.

**Note:** The UDF reader is not required on computers that have DirectCD installed. It is provided for use on computers that share media with the computer that writes with DirectCD.

---

## **Using CD-R and CD-RW discs**

The CD-RW can write to both CD-R and CD-RW discs. CD-RW discs can be erased and reused many times, while CD-R discs can be written to only once.

CD Creator is used to copy CDs, create new data CDs, and produce new audio CDs that can be read by standard CD-RO drives and CD players.

DirectCD is used to make file archives and data CDs that can be altered many times. It also provides the convenience of direct drive letter access. When used with CD-RW media, DirectCD is very much like using a diskette to store files. If DirectCD is used with CD-R media, you can write and rewrite until the CD is full, and then the data becomes fixed. DirectCD-created media can only be read with newer CD-ROM drives and DVD-ROM drives that support multi-read mode. Some operating systems require a UDF Reader to be able to read DirectCD-created discs.

**Note:** CD-R discs are playable on audio CD players. CD-RW discs are not playable on most audio CD players.

**Note:** CD-R media is rated by write-speed. For 12x write mode, 12x media will be required. Contact the manufacturer of your media to determine its maximum required speed. The following table shows the compatibility matrix for high and low speed media:

Drive	Media	Write	Read
Low Speed	Low Speed	Yes	Yes
Low Speed	High Speed	No	Yes
High Speed	High Speed	Yes	Yes
High Speed	Low Speed	Yes*	Yes

\*Will write at low speed on low speed media.

---

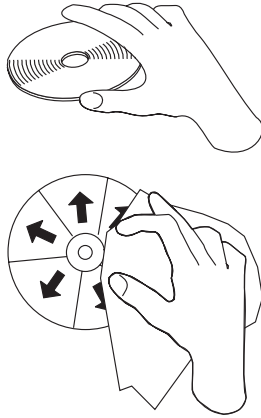
## Using the drive

This section will give you information on how to handle and care for CDs and your CD-RW drive, how to load CDs into your CD-RW drive, and how to get started using the Easy CD Creator and DirectCD programs.

## Handling and caring for a CD

CDs are high-density media that must be handled with care and kept clean to ensure that they remain readable. These precautions will help to prolong the life of your CDs.

**Attention:** Wiping a CD using a circular motion might cause loss of data.



- Handle the CD by the edges or by the center hole. Do not touch the surface of the CD.
- To remove dust or fingerprints, wipe the CD from the center to the edge with a soft, lint-free cloth.
- Do not write on the surface.
- Do not place the CD in direct sunlight.
- Do not use commercial cleaners to clean the CD.
- Do not bend the CD.

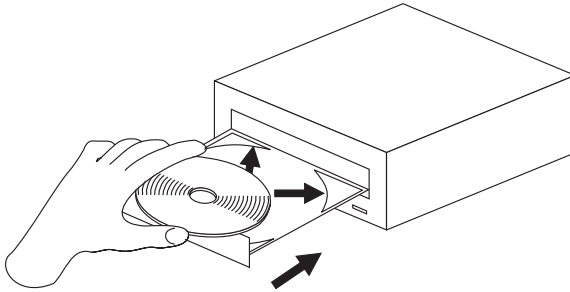
### **Caring for the CD-RW drive**

To protect your CD-RW drive during operation, observe the following precautions:

- Remove any CD in the drive before moving the drive.
- Do not insert foreign objects into the drive.
- Do not remove the drive cover or attempt to service the drive.
- Do not operate the drive under any of the following conditions:
  - High temperature, high humidity, or direct sunlight
  - Excessive vibration, sudden shock, or inclined surface
  - Excessive dust

## Loading a CD

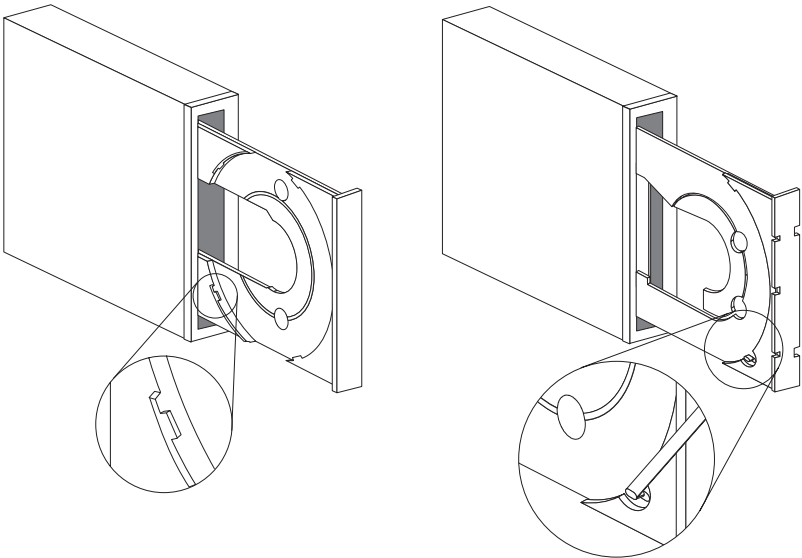
To load a CD into a horizontally mounted CD-RW drive, do the following:



1. Press the **Eject/Load** button. The tray slides out of the drive.
2. Insert the CD into the loading tray.
3. Close the loading tray by pressing the **Eject/Load** button, or by gently pushing the tray in.

**Attention:** Do not force the tray to open; do not insert foreign objects into the CD tray. If your tray does not open when you press the **Eject/Load** button, see “Ejecting a CD manually” on page 1-14.

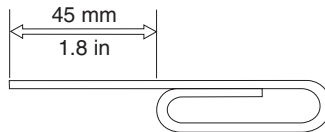
To load a CD into a vertically mounted CD-RW drive, follow these steps.



1. Press the **Eject/Load** button.
2. Look at the illustrations and compare them to your loading tray.
  - If your loading tray looks like the left illustration, insert the CD carefully so that the edges of the CD are underneath the tabs on the loading tray. These plastic tabs cover the edges of the CD and hold it in place. The tabs are attached to the tray itself and cannot be moved.
  - If your loading tray looks like the right illustration, insert the CD into the tray, and gently push the movable tab forward to hold the CD in place.
3. Close the loading tray by pressing the **Eject/Load** button, or by gently pushing the tray in.

## Ejecting a CD manually

If you press the **Eject/Load** button and the tray does not slide out, turn off the computer. Straighten a large paper clip to form a tool, as shown in the illustration. The straightened end must extend at least 45 mm (1.8 in.). Insert the extended end into the manual-eject hole on the front of the drive (see "Front view of the drive" on page 1-4). Push the paper clip into the hole until the tray opens. Gently pull out the tray until you can remove the CD.



## Using the Easy CD Creator and DirectCD programs

To use the Easy CD Creator and DirectCD software, insert a blank or partially-recorded CD-R or CD-RW disc into your CD-RW drive. The Easy CD Creator menu window opens automatically.

To open DirectCD, do as follows:

1. Click **Start --> Programs --> Adaptec DirectCD**.
2. Click **DirectCD Wizard**.

## Formatting CDs

You must format a blank CD-RW disc using DirectCD before you can copy files to the disc.

To format a CD-RW disc<sup>5</sup> with the DirectCD program:

---

5. Some CDs, such as multi-session CDs, do not require formatting. For more information, see the Adaptec software online user's guide.

1. Insert a blank disc. The DirectCD Wizard Welcome window opens.
2. Click **Next** twice. The Format Disc window opens.  
**Attention:** Formatting completes in about 30 minutes for standard and about 15 minutes for high speed media. The DirectCD program configures the disc to receive data, verifies the integrity of the disc surface, and writes DirectCD file system structures to the disc. You can do other tasks on your computer while the disc is being formatted.
3. Click **Next** to continue. The Name Your Disc window opens.
4. Type the title of your disc in the Name Your Disc window. The disc name can be up to 11 characters.
5. If you plan to use data compression software with this disc, click the check box next to the message Enable compression on this disc.
6. Click **Finish** in order to start disc formatting. When the disc is finished formatting, the Disc Ready window opens.
7. Click **OK** in the Disc Ready window.

You can now write information to the disc.

**Note:** If you have a problem formatting a CD-RW disc, see “You cannot format a CD-RW disc” on page B-2.

If you want to read a DirectCD-formatted disc in another computer that has a multi-read drive, you might have to install the UDF Reader program on the other computer. The UDF Reader is installed along with CD Creator, or is on the Adaptec CD, named UDFRINST.EXE.

## Creating data CDs or backing up data files

To create data CDs do as follows:

1. Click **Start --> Programs --> Adaptec Easy CD Creator 4 --> Features --> CD Creator 4**.
2. The window that opens is similar to the Windows Explorer. In the top section, click to select the files or directories you want to add to the CD.
3. Click the **Add** button at the top the window to add the files to your CD.
4. For information on advanced features such as making a multi-session CD, or creating a CD using the **File** menu instead of the Easy CD Creator Wizard, see the Adaptec software online user’s guide.

## Creating audio CDs

To create audio CDs:

1. Click **Start --> Programs --> Adaptec Easy CD Creator 4 --> Create CD**.
2. When the Easy CD Creator window opens, click **Audio**.
3. Click **Audio**.

4. The window that opens is similar to the Windows Explorer. In the top section, click to select the audio files or audio tracks you want to add to the CD.
5. Click the **Add** button at the top of the window to add the files to your CD.
6. Choose the close CD-R disc option if you plan to use it in your car or home players.

For information on advanced features such as making a multi session CD, or creating a CD using the **File** menu instead of the Easy CD Creator Wizard, see the Adaptec software online user's guide.

## Making a jewel-case insert

You can use Easy CD Creator to create a jewel-case insert or CD label. When you create a data or audio CD, the Easy CD Creator program creates a jewel-case insert using the information in your CD layout, such as CD title, artist name, and song list.

To print a jewel-case insert or CD label:

1. Click **Start --> Programs --> Adaptec Easy CD Creator 4 --> Create CD**.
2. Click **Jewel Case Creator**.
3. On the left, click to select the front cover, inside front cover, back cover, or CD label.
4. Make any changes in the main editing window. You can change the background theme by clicking the **Format** menu and selecting **Change Themes**.
5. When you are finished making changes, click the **File** menu, and then select **Print** then click **OK**.
6. For more information on changing the information in the Jewel Case Layout window, see the Adaptec software online user's guide.

## Backing up a CD

**Attention:** The CD Copier program copies files from one CD to another CD. To copy a commercial CD, you must either own the copyright or obtain permission from the copyright owner. If you do not own the copyright or do not have permission to copy from the copyright owner, you might be violating copyright law and might be subject to payment of damages or other remedies. For more information on copyright law, consult your legal advisor.

To back up (copy) a CD using your CD-RW drive:

1. Click **Start --> Programs --> Adaptec Easy CD Creator 4 --> Features --> CD Copier**. The CD Copier window opens.
2. Click the **Source and Destination** tab if it is not on top.
3. In the Copy From section, select the source drive from the scroll down box.



**Note:** This is the drive containing the CD you want to copy.

4. In the Record To section, select the CD-RW drive from the scroll down box. Be sure that there is a blank CD-R or CD-RW disc in the CD-RW drive.
5. On the **Advanced** tab, you can choose to test the CD for the best possible recording speed. You can also change the number of copies made, or choose to have the CD copied to your hard disk before copying it to the blank CD. These selections will increase the time it takes to copy the CD.
6. When you are finished choosing the settings, place the CD you are going to copy into the source drive.
7. Click **Copy** to start copying your CD.



---

## Chapitre 1 : Installation et utilisation

La présente section du manuel contient une introduction, les instructions d'installation, et les instructions d'utilisation et d'entretien de cette unité de CD réinscriptibles (CD-RW).

---

### Introduction

Cette section décrit les options et les logiciels livrés avec l'unité. Vous trouverez également ici quelques informations dont vous aurez besoin avant l'installation.

### Description du produit

L'unité de CD-RW 12x8x32 peut lire et écrire sur des CD-RW et des CD enregistrables (CD-R), et peut lire les CD du commerce. Les CD créés avec cette unité sont compatibles avec les unités de CD-ROM et de DVD-ROM Multi-Read (MR) capables de lire des CD-RW et d'autres supports, et avec les unités de CD-ROM plus anciennes capables de lire les CD-R et les CD-ROM.

La vitesse d'écriture de cette unité sur un CD-R peut atteindre 12 fois la vitesse standard d'un CD-ROM, c'est à dire que le débit d'enregistrement des données peut atteindre 1800 ko<sup>1</sup> par seconde. A cette vitesse, l'unité peut enregistrer approximativement 650 Mo d'informations sur un CD-R en environ 6 minutes. Les vitesses d'écriture sur un CD-R et un CD-RW sont différentes. La vitesse d'écriture de cette unité sur un CD-RW peut atteindre huit fois la vitesse standard d'un CD-ROM, c'est à dire que le débit d'enregistrement des données peut atteindre 1200 ko par seconde. A cette vitesse, l'unité peut enregistrer approximativement 530 Mo<sup>2</sup> d'informations sur un CD-RW en environ 9 minutes. La vitesse de lecture des données de l'unité peut atteindre 32 fois la vitesse standard d'un CD-ROM, c'est à dire 4800 ko par seconde.

**Remarque :** Pour utiliser la fonction d'enregistrement de CD, vous devez installer un des logiciels fournis, Easy CD Creator 4 ou DirectCD pour Microsoft Windows 95, Windows 98, Windows NT 4.0, Windows 2000 ou Windows Millennium (Me). Pour de plus amples informations sur les logiciels Easy CD Creator 4 et DirectCD, reportez-vous à l'«Etape 10. Installation de Easy CD Creator et DirectCD» à la page 1-9. L'unité 12x8x32 peut écrire sur de CD-R et des CD-RW standard ou haute vitesse.

- 
- 1 ko équivaut approximativement à 1024 octets quand on se réfère aux vitesses de transfert des données.
  - 2 1 Mo équivaut à approximativement 1 000 000 d'octets quand on se réfère aux capacités de stockage.

Elle ne peut être installée que dans un ordinateur qui dispose de l'architecture IDE (integrated drive electronics) ou E-IDE (IDE améliorée).

Outre ce manuel, la boîte de l'option contient :

- L'unité de CD-RW
- Deux câbles audio
- Quatre vis de montage
- Un câble IDE
- Deux panneaux frontaux<sup>3</sup> à utiliser avec certains ordinateurs
- Le disque des logiciels Adaptec Easy CD Creator et DirectCD
- Un manuel relatif aux précautions d'utilisation du laser des unités de CD-ROM
- Un livret relatif aux précautions d'utilisation des matériels électriques

Prenez contact avec votre revendeur si l'un de ces éléments manque ou est endommagé. Vous pouvez être amené à fournir la preuve d'achat de l'unité. Sa présentation est habituellement nécessaire pour faire jouer la garantie. Reportez-vous à l'annexe D pour trouver les informations concernant la garantie.

## Description des logiciels

Le disque Adaptec Easy CD Creator et DirectCD contient des logiciels qui fonctionnent avec Windows 95, Windows 98, Windows Me, Windows 2000 et Windows NT Workstation 4.0. Vous pouvez utiliser ces programmes avec votre unité de CD-RW afin de créer des CD audio ou de données, de copier des CD et de produire des pochettes ou des étiquettes de CD. Ce manuel contient les instructions de l'utilisation de base de ces logiciels qui vous permettront de commencer à créer des CD. Vous trouverez des informations complémentaires concernant ces logiciels et leur utilisation dans le guide de l'utilisateur en ligne qui se trouve sur le disque des logiciels.

---

## Avant de commencer

Lisez les informations ci-après avant de commencer l'installation. Vous devez accomplir les opérations suivantes pour installer l'unité :

1. Déterminez quel port IDE utiliser et le paramètre de configuration correspondant.
2. Placez ou déplacez le cavalier de configuration de l'unité (et éventuellement, modifiez aussi les cavaliers de configuration d'autres périphériques).
3. Installez l'unité dans une baie.

---

3. Si vous avez choisi cette option en noir, vous trouverez dans la boîte un panneau frontal noir.

4. Configurez le système.
5. Installez un pilote de périphérique.

Si vous n'êtes pas familiarisé avec ces opérations, demandez à un technicien qualifié d'installer l'unité de CD-RW à votre place.

## Configuration système requise

Avant de commencer l'installation de l'unité, vérifiez que votre ordinateur dispose des éléments suivants :

- Microprocesseur minimum : Intel Pentium (ou équivalent)
- Mémoire vive minimale : 32 Mo<sup>4</sup>
- Connecteur IDE disponible
- Connexion d'alimentation interne disponible
- Baie d'unité 5 pouces 1/4 disponible
- Un des systèmes d'exploitation suivants :
  - Microsoft Windows NT Workstation 4.0
  - Microsoft Windows 95, Windows 98 ou Windows Me
  - Microsoft Windows 2000

Vous aurez besoin d'un tournevis plat ou cruciforme pour terminer l'installation. Vous devrez peut être également vous référer à la documentation de votre ordinateur. Assurez-vous de l'avoir à portée de main.

## Précautions de manipulation

Pour protéger votre unité de CD-RW lors de l'installation, observez les précautions suivantes :

- Manipulez l'unité avec précaution. Si vous heurtez ou laissez tomber l'unité, vous risquez d'endommager ses composants internes.
- Conservez l'unité dans sa pochette antistatique jusqu'à ce vous soyez prêt à l'installer dans votre ordinateur. Limitez vos mouvements. Ceux-ci peuvent provoquer l'accumulation d'électricité statique.
- Ne forcez pas en insérant le câble d'alimentation, ou vous risquez d'endommager le connecteur ou l'unité.

---

## Vues de l'unité

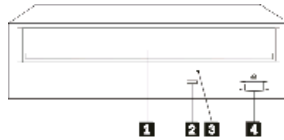
La présente section présente des vues de l'avant et de l'arrière de l'unité de CD-RW.

---

4. 1 Mo équivaut approximativement à 1 000 000 d'octets quand on se réfère aux capacités de stockage ; la capacité complète accessible à l'utilisateur peut varier suivant l'environnement.

## Vue de la face avant de l'unité

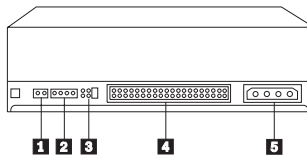
Consultez les illustrations suivantes afin d'identifier les parties mentionnées dans les instructions d'installation.



- 1 Plateau du CD.** Utilisez ce plateau pour introduire ou sortir un CD.
- 2 Voyant de fonctionnement.** Ce voyant s'allume quand l'unité lit ou joue un CD ou y écrit des données.
- 3 Encoche d'éjection manuelle.** Cette encoche donne accès au mécanisme d'éjection qui permet de retirer un CD de l'unité quand la procédure normale ne fonctionne pas.
- 4 Bouton Ejection/Chargement.** Ce bouton permet, lorsqu'il est actionné, de sortir ou de rentrer le plateau du CD.

## Vue de la face arrière de l'unité

Consultez les illustrations suivantes afin d'identifier les parties mentionnées dans les instructions d'installation.



- 1 Réserve.**
- 2 Connecteur de sortie audio.** Utilisez ce connecteur pour relier l'unité de CD-RW à une carte son.
- 3 Broches de configuration.** Utilisez ces broches pour configurer l'unité.
- 4 Connecteur IDE.** Utilisez ce connecteur pour relier l'unité de CD-RW au câble IDE.
- 5 Connecteur d'alimentation.** Utilisez ce connecteur pour relier l'unité de CD-RW au câble d'alimentation de l'ordinateur.

---

## Installation de l'unité

Suivez les étapes ci-après pour installer l'unité dans votre ordinateur.

### Etape 1. Ouverture de l'ordinateur

Pour ouvrir votre ordinateur, procédez comme suit :

1. Mettez l'ordinateur et tous les périphériques qui y sont connectés hors tension.
2. Débranchez les cordons d'alimentation de l'ordinateur, ainsi que ceux de tous les périphériques connectés.
3. Retirez le carter de l'ordinateur.

### Etape 2. Déballage de l'unité

Pour déballer l'unité, procédez comme suit :

1. Touchez une surface métallique non peinte pendant au moins deux secondes afin de décharger toute électricité statique qui a pu être accumulée. Mettez la pochette contenant l'unité en contact avec une surface métallique non peinte pendant au moins deux secondes.
2. Retirez l'unité de la pochette antistatique.

S'il vous faut poser l'unité, placez la pochette antistatique sur une surface plane (un magazine, par exemple) et posez l'unité sur la pochette antistatique, avec la face comportant les composants vers le haut.

### Etape 3. Sélection du port IDE

Les ordinateurs les plus récents comportent généralement deux ports IDE. Si votre ordinateur dispose de deux ports IDE, choisissez le port secondaire pour connecter l'unité de CD-RW. Le port IDE secondaire est généralement adjacent au port IDE principal, auquel est reliée l'unité de disque dur. Le port IDE et l'emplacement choisi pour le câble IDE déterminent la position du cavalier de configuration que vous utiliserez pour l'unité. Reportez-vous à l'«Etape 4. Positionnement du cavalier de configuration» à la page 1-6 pour les instructions concernant le positionnement des cavaliers de configuration.

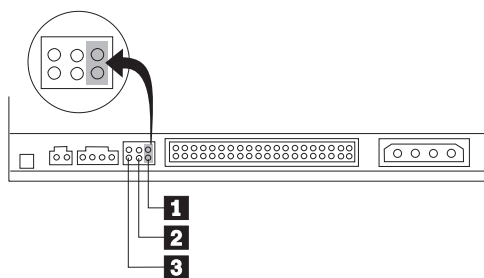
- Si votre ordinateur est équipé de deux ports IDE, connectez l'unité de CD-RW au port IDE secondaire par l'intermédiaire du câble IDE livré avec l'unité. Si l'unité de CD-RW est le seul périphérique sur le port IDE secondaire, placez le cavalier sur la position maître. Si un autre périphérique est présent sur le port IDE, utilisez la position esclave.
- Si vous devez connecter l'unité de CD-RW au même port IDE qu'un autre périphérique plus rapide, un disque dur par exemple, utilisez la position esclave pour l'unité de CD-RW, et la position maître pour le périphérique plus rapide. Certaines unités de disque dur nécessitent une configuration maître-avec-esclave-présent quand un autre périphérique configuré en tant qu'esclave connecté au même câble. Pour plus d'informations sur le

paramétrage des cavaliers de configuration d'autres périphériques, reportez-vous à la documentation fournie avec votre ordinateur ou avec le périphérique concerné.

- Certains ordinateurs non IBM supportent le paramétrage sélection-câble dans lequel la position du périphérique sur le câble détermine s'il s'agit d'un périphérique principal ou secondaire. Consultez la documentation fournie avec votre ordinateur pour déterminer s'il prend en charge ce paramétrage.

#### Etape 4. Positionnement du cavalier de configuration

L'illustration suivante représente la position **1** maître, la position **2** esclave et la position **3** sélection-câble. Configurez l'unité de CD-RW en plaçant le cavalier sur la paire de broches correspondant au paramétrage que vous avez choisi à l'étape 3.



- Si vous configurez l'unité comme maître, placez le cavalier sur la position **1** (il s'agit de la position définie sur l'unité lorsqu'elle est livrée). Si un deuxième périphérique est présent sur le port IDE, assurez-vous qu'il est configuré comme esclave.
- Si vous configurez l'unité comme esclave, placez le cavalier sur la position **2**. Vérifiez que l'autre périphérique présent sur le port IDE est configuré comme maître (ou comme maître-avec-esclave-présent).
- Si vous configurez l'unité en mode sélection-câble, placez le cavalier sur la position **3**. Si un autre périphérique est présent sur le port IDE, assurez-vous qu'il a aussi la configuration sélection-câble.

#### Etape 5. Montage de l'unité dans la baie

**Avertissement :** Assurez-vous de bien utiliser les vis fournies avec l'unité. L'utilisation de vis trop longues risque d'endommager l'unité.

Vous pouvez monter l'unité de CD-RW dans l'ordinateur soit verticalement soit horizontalement. Si vous montez l'unité verticalement, vous devez toujours bloquer le CD que vous introduisez dans l'unité avant de faire entrer le plateau porte-CD, sinon l'unité de CD-RW ne pourra pas lire le CD

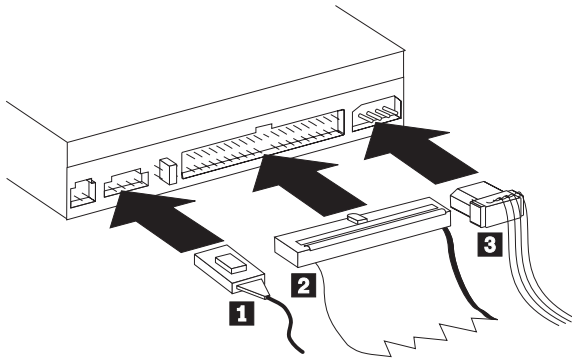


correctement. Pour de plus amples instructions sur le blocage des CD dans une unité montée verticalement, reportez-vous à la section «Chargement d'un CD» à la page 1-12.

1. Glissez l'unité à l'intérieur de la baie. L'installation de périphériques de stockage dans votre ordinateur peut faire l'objet d'instructions spécifiques. Consultez la documentation fournie avec votre ordinateur pour plus de renseignements.
2. Alignez les trous de vis de la baie avec les trous filetés du boîtier de l'unité ou de l'étrier de fixation. Assurez-vous d'utiliser les vis de fixation livrées avec l'unité. L'utilisation de vis non adaptées risque d'endommager l'unité. Serrez un peu les vis afin de vérifier leur position. Habituellement, on utilise deux vis de chaque côté.
3. Vérifiez que l'alignement est correct, puis serrez un peu plus les vis afin d'immobiliser l'unité. Ne les serrez pas trop fort.

## Etape 6. Raccordement des câbles à l'unité

Raccordez les câbles à l'unité de CD-RW comme suit :



1. Si vous voulez connecter l'unité de CD-RW à la carte son ou au dispositif son de la carte mère, examinez les câbles fournis et déterminez celui qui s'adapte le mieux au port d'entrée audio de la carte son. Raccordez l'une des extrémités du câble audio choisi au connecteur de sortie audio de l'unité de CD-RW **1**, et l'autre extrémité du câble au port d'entrée CD audio de la carte son. Conservez l'autre câble au cas où vous utiliseriez une carte son différente à l'avenir.
2. Raccordez le connecteur à 40 broches du câble IDE **2** au connecteur IDE de l'unité. Alignez le câble de sorte que le bord repéré par une couleur se trouve près du connecteur du cordon d'alimentation **3**. Utilisez le câble IDE livré avec ce produit si aucun câble n'est déjà raccordé au port IDE ou si ce dernier dispose d'un seul connecteur de périphérique. Si vous utilisez le câble IDE fourni avec l'unité, connectez une extrémité du câble au port IDE de la carte mère ou de l'adaptateur IDE, et l'autre extrémité à l'unité de CD-RW.

3. Choisissez un cordon d'alimentation connecté à l'ordinateur. Raccordez le cordon d'alimentation à quatre broches **3** au connecteur d'alimentation de l'unité.

## Etape 7. Fin de l'installation matérielle

Pour terminer l'installation de l'unité, procédez comme suit :

1. Vérifiez que l'unité est maintenue solidement et que les connecteurs sont enfoncés correctement.
2. Vérifiez que les câbles ne gênent pas la fermeture du carter de l'ordinateur et ne bloquent pas les pales du ventilateur de l'alimentation ou les grilles d'aération.
3. Réinstallez le carter de l'ordinateur.
4. Raccordez tous les périphériques et vérifiez qu'aucun autre dispositif, tel que le clavier, la souris ou l'écran n'a été déconnecté accidentellement.
5. Raccordez tous les cordons d'alimentation à leur prise de courant.

## Etape 8. Mise en place du panneau frontal

Vous trouverez dans la boîte de l'option deux panneaux frontaux assortis au design en courbes de certains ordinateurs. Si votre ordinateur a un design en courbes, vous pouvez fixer un des panneaux frontaux de façon à ce que l'avant de l'unité corresponde bien au boîtier de l'ordinateur. Choisissez le panneau frontal qui correspond à votre ordinateur, et fixez-le une fois que vous avez monté l'unité de CD-RW dans la baie appropriée.

**Remarque :** Selon la conception de votre ordinateur, vous devrez peut-être placer le panneau frontal avant de remettre le carter de l'ordinateur en place.

## Etape 9. Mise à jour de la configuration de l'ordinateur

Après avoir terminé l'installation matérielle, redémarrez votre ordinateur. Généralement, l'écran de configuration apparaît au démarrage de votre ordinateur. Si ce n'est pas le cas, consultez la documentation relative à l'ordinateur pour savoir comment accéder à l'utilitaire de configuration.

Sur la plupart des ordinateurs IBM, pour afficher les informations de configuration, appuyez sur la touche F1 au moment où le sigle IBM apparaît dans le coin supérieur droit de l'écran au cours du démarrage. Lorsque vous avez terminé, enregistrez les modifications et quittez l'utilitaire de configuration.

## Etape 10. Installation de Easy CD Creator et DirectCD

Pour installer Easy CD Creator et DirectCD, procédez comme suit :

**Remarque :** Lisez le fichier README fourni sur le CD Adaptec Easy CD Creator et DirectCD pour y trouver les informations les plus récentes concernant ces logiciels.

Le disque Easy CD Creator et DirectCD contient les programmes suivants :

- Easy CD Creator
- DirectCD

Ces deux logiciels sont nécessaires à l'utilisation des capacités complètes de votre unité de CD-RW. Si votre ordinateur dispose également d'unités de CD-ROM MR ou de DVD-ROM, vous aurez peut-être besoin d'installer le logiciel UDF Reader pour lire certains CD-R ou certains CD-RW dans ces unités.

Pour installer les logiciels Easy CD Creator et DirectCD pour Windows 98, Windows 95, Windows Me, Windows 2000 ou Windows NT 4.0, procédez comme suit :

1. Insérez le disque Easy CD Creator et DirectCD dans votre unité de CD-RW.
2. Si la fenêtre d'installation d'Adaptec Easy CD Creator s'affiche, suivez les instructions fournies. Si ce n'est pas le cas, passez à l'étape suivante.
3. Cliquez sur **Démarrer --> Paramètres --> Panneau de configuration**.
4. Cliquez deux fois sur **Ajout/Suppression de programmes**.
5. Suivez les instructions à l'écran pour terminer l'installation. Répétez les étapes ci-dessus pour installer chaque composant d'Easy CD Creator et DirectCD.
6. Si la boîte de votre option contient une disquette de mise à jour des logiciels Adaptec, insérez-la lorsqu'elle vous est demandée.
7. Redémarrez le système d'exploitation.

### **Installation du logiciel UDF reader pour Windows 95, Windows 98, Windows Me, Windows 2000 et Windows NT 4.0**

Le logiciel UDF reader permet de lire des CD écrits avec DirectCD sur des ordinateurs ne disposant pas de ce logiciel. Une copie du programme d'installation d'UDF reader est copiée sur votre système lorsque vous installez DirectCD. Vous pouvez installer UDF reader sur d'autres ordinateurs afin de lire les disques UDF que vous avez créés. L'emplacement du programme d'installation d'UDF reader dépend du système d'exploitation et de la langue utilisée.

Pour installer UDF reader, procédez comme suit :

1. Sélectionnez **Démarrer -->Rechercher -->Fichiers** ou **Démarrer -->Rechercher -->Répertoires**.
2. Recherchez le fichier *UDFRINST.EXE* sur le disque dur de l'ordinateur.
3. Copiez le fichier *UDFRINST.EXE* de la liste de fichiers trouvés sur une disquette.
4. Insérez cette dernière dans l'unité de disquette de l'ordinateur avec lequel vous désirez lire les CD DirectCD.
5. Sur le nouveau système, cliquez sur **Poste de travail**, puis sur l'icône de la disquette, et enfin sur l'icône *UDFRINST.EXE*.
6. Suivez les instructions à l'écran pour effectuer l'installation.
7. Redémarrez l'ordinateur.

**Remarque :** UDF reader n'est pas nécessaire sur les ordinateurs sur lesquels DirectCD est installé. UDF reader est fourni pour être utilisé sur les ordinateurs qui partagent des supports avec l'ordinateur qui écrit avec DirectCD.

---

## Utilisation de disques CD-R et CD-RW

L'unité de CD-RW peut écrire sur des CD-R ou sur des CD-RW. Il est possible d'effacer et de réécrire plusieurs fois sur les CD-RW, tandis que les CD-R ne peuvent être utilisés qu'une seule fois.

CD Creator permet de copier des CD, de créer de nouveaux CD de données et de produire de nouveaux CD audio qui peuvent être lus par une unité de CD-ROM standard ou un lecteur de CD audio.

DirectCD permet de créer des fichiers d'archive et des CD de données qui peuvent être modifiés plusieurs fois. De plus il offre un accès direct par l'identificateur d'unité. Avec DirectCD, l'utilisation d'un CD-RW s'apparente à celle d'une disquette pour stocker des fichiers. Si DirectCD est utilisé avec des CD-R, vous pouvez écrire et réécrire jusqu'à ce que le CD soit plein, et seulement ensuite fixer les données. Seules les version récentes d'unités de CD-ROM et de DVD-ROM prenant en charge le mode multi-lecture peuvent lire les disques créés avec DirectCD. Certains systèmes d'exploitation nécessitent UDF Reader pour pouvoir lire les disques créés avec DirectCD.

**Remarque :** Les CD-R peuvent être joués sur des lecteurs de CD audio. La plupart des lecteurs de CD audio ne prennent pas en charge la lecture des CD-RW.

**Remarque :** Les CD-R sont classés par leur vitesse d'écriture. Pour pouvoir écrire à la vitesse 12x, un CD supportant une vitesse de 12x sera nécessaire. Prenez contact avec le fournisseur du CD pour connaître sa vitesse maximale d'écriture. Le tableau suivant indique les compatibilités entre CD à haute et à basse vitesse d'écriture :

Unité	Support	Ecriture	Lecture
Basse vitesse	Basse vitesse	Oui	Oui
Basse vitesse	Haute vitesse	Non	Oui
Haute vitesse	Haute vitesse	Oui	Oui
Haute vitesse	Basse vitesse	Oui*	Oui

\*Une unité haute vitesse écrira sur un support basse vitesse à basse vitesse uniquement.

---

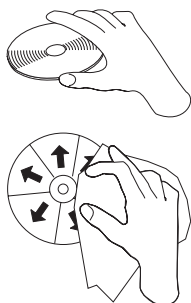
## Utilisation de l'unité

La présente section fournit des informations concernant la manipulation et les précautions d'utilisation des CD et de l'unité de CD-RW, le chargement des CD dans l'unité de CD-RW, et les premiers pas avec les programmes Easy CD Creator et DirectCD.

### Manipulation et précautions d'utilisation des CD

Les CD sont des supports haute densité qui doivent être manipulés avec précaution et ne pas être salis afin de rester lisibles. Ces précautions vous permettront de prolonger la durée de vie de vos CD.

**Avertissement :** Evitez de nettoyer les CD en effectuant un mouvement circulaire, ce qui risque d'entraîner une perte de données.



- Tenez les CD par le bord ou par leur trou central. Ne touchez pas la surface des CD.

- Pour retirer de la poussière ou des traces de doigts, nettoyez le CD à partir du centre en allant vers les bords avec un chiffon doux non pelucheux.
- N'écrivez pas sur la surface.
- Ne placez pas les CD sous la lumière directe du soleil.
- N'utilisez pas de produits du commerce pour nettoyer vos CD.
- Ne pliez pas les CD.

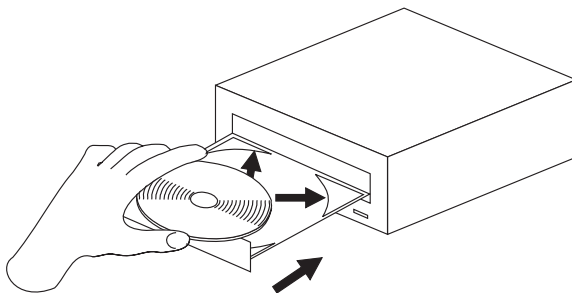
## Précautions d'utilisation de l'unité de CD-RW

Pour protéger votre unité de CD-RW lors de l'installation, observez les précautions suivantes :

- Retirez le CD présent dans l'unité avant de déplacer cette dernière.
- N'insérez pas d'objets étrangers dans l'unité.
- Ne retirez pas le couvercle et ne tentez pas de réparer vous-même l'unité.
- Ne faites pas fonctionner l'unité dans l'une des situations suivantes :
  - Température élevée, fort degré d'hygrométrie ou exposition directe aux rayons du soleil
  - Vibration excessive, choc violent ou surface inclinée
  - Environnement très poussiéreux

## Chargement d'un CD

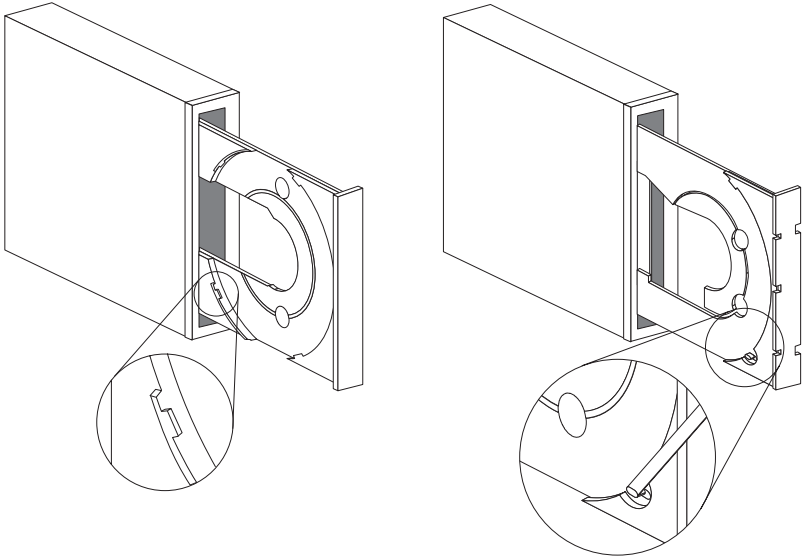
Pour charger un CD dans une unité de CD-RW montée horizontalement, procédez comme suit :



1. Appuyez sur le bouton **Ejection/Chargement**. Le plateau sort de l'unité.
2. Posez le CD sur le plateau de chargement.
3. Fermez le plateau de chargement en appuyant sur le bouton **Ejection/Chargement**, ou en repoussant doucement le plateau.

**Avertissement :** Ne tentez pas de forcer l'ouverture du plateau ; ne placez pas d'objets étrangers sur le plateau. Si le plateau ne s'ouvre pas quand vous appuyez sur le bouton **Ejection/Chargement**, consultez la section «Ejection manuelle d'un CD» à la page 1-14.

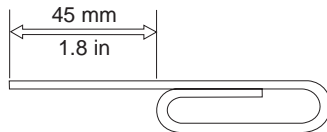
Pour charger un CD dans une unité de CD-RW montée verticalement, procédez comme suit :



1. Appuyez sur le bouton **Ejection/Chargement**.
2. Examinez les illustrations et comparez-les avec votre plateau de chargement.
  - Si votre plateau de chargement ressemble à celui de l'illustration de gauche, insérez le CD avec précaution de sorte que les bords du CD soient logés sous les ergots du plateau de chargement. Ces ergots en plastique bloquent les bords du CD et le maintiennent en place. Les ergots sont fixés au plateau et ne peuvent pas être retirés.
  - Si votre plateau de chargement ressemble à celui de l'illustration de droite, insérez le CD dans le plateau et poussez doucement la languette mobile vers l'avant pour maintenir le CD en place.
3. Fermez le plateau de chargement en appuyant sur le bouton **Ejection/Chargement**, ou en repoussant doucement le plateau.

## Ejection manuelle d'un CD

Si vous appuyez sur le bouton **Ejection/Chargement** et que le plateau ne sort pas, mettez l'ordinateur hors tension. Dépliez un grand trombone, comme le montre l'illustration. L'extrémité dépliée doit mesurer au moins 45 mm. Insérez l'extrémité dépliée dans l'encoche d'éjection manuelle située sur la face avant de l'unité (voir «Vue de la face avant de l'unité» à la page 1-4). Poussez le trombone dans l'encoche jusqu'à ce que le plateau sorte. Tirez doucement le plateau vers vous jusqu'à ce que vous puissiez retirer le CD.



## Utilisation des programmes Easy CD Creator DirectCD

Pour utiliser les logiciels Easy CD Creator et DirectCD, insérez dans l'unité de CD-RW un CD-R ou un CD-RW vierge ou enregistré en partie. La fenêtre Easy CD Creator s'affiche automatiquement.

Pour lancer DirectCD, procédez comme suit :

1. Cliquez sur **Démarrer --> Programmes --> Adaptec DirectCD**.
2. Cliquez sur **DirectCD Wizard** (assistant DirectCD).

## Formatage des CD

Vous devez formater un CD-RW à l'aide de DirectCD avant d'y faire glisser des fichiers à l'aide de la souris.

Pour formater un CD-RW<sup>5</sup>, procédez comme suit :

1. Insérez un CD vierge. La fenêtre d'accueil de l'assistant DirectCD s'affiche.
2. Cliquez deux fois sur **Suivant**. La fenêtre Format Disc (formatage du disque) s'affiche.

**Avertissement :** Le formatage prend environ 30 minutes pour un support standard, et 15 minutes pour un support haute vitesse. DirectCD configure le disque pour la réception des données, vérifie l'intégrité de la surface du disque et écrit les structures du système de fichiers DirectCD sur le disque. Vous pouvez vous consacrer à d'autres tâches sur votre ordinateur pendant le formatage du disque.

3. Cliquez sur **Suivant** pour continuer. La fenêtre Name Disc (identification du disque) s'affiche.

---

5. Certains CD, comme les CD multisession, ne nécessitent pas de formatage. Pour de plus amples informations, consultez le guide d'utilisation en ligne des logiciels Adaptec.



4. Indiquez le titre de votre disque dans la fenêtre Name Your Disc (nom du disque). Le nom du disque peut comprendre jusqu'à 11 caractères.
5. Si vous prévoyez d'utiliser un logiciel de compression avec ce disque, cliquez sur la case à cocher en regard du message *Enable compression on this disc* (activation de la compression sur ce disque).
6. Cliquez sur **Finish** (terminer) pour lancer le formatage du disque. Lorsque le formatage du disque est terminé, la fenêtre Disc Ready (disque prêt) s'affiche.
7. Cliquez sur **OK** dans la fenêtre Disc Ready.

Vous pouvez maintenant écrire des informations sur le disque.

**Remarque :** Si un incident se produit lors du formatage d'un CD-RW, consultez la section «You cannot format a CD-RW disc» à la page B-2.

Pour lire un CD formaté par DirectCD sur un autre ordinateur, vous pouvez être amené à installer le programme UDF Reader sur ce dernier. UDF Reader est installé avec Creator, sinon, vous le trouverez sur le CD Adaptec, sous le nom *UDFRINST.EXE*.

## Création de CD de données ou sauvegarde de fichiers de données

Pour créer des CD de données, procédez comme suit :

1. Cliquez sur **Démarrer --> Programmes --> Adaptec Easy CD Creator 4 --> Features --> Easy CD Creator**.
2. La fenêtre qui s'affiche est semblable à une fenêtre de l'Explorateur Windows. Dans la section du haut, sélectionnez les fichiers et répertoires à ajouter au CD en cliquant dessus.
3. Cliquez sur le bouton **Add** (ajouter) en haut de la fenêtre pour ajouter les fichiers à votre CD.
4. Pour obtenir des informations concernant les fonctions avancées comme la création d'un CD multi-session ou la création d'un CD via le menu **File** (fichier) sans passer par Easy CD Creator Wizard, consultez le guide d'utilisation en ligne des logiciels Adaptec.

## Création de CD audio

Pour créer un CD audio, procédez comme suit :

1. Cliquez sur **Démarrer --> Programmes --> Adaptec Easy CD Creator 4 --> Create CD** (création de CD).
2. Lorsque la fenêtre Easy CD Creator s'affiche, cliquez sur **Audio**.
3. Cliquez sur **Audio CD**.

4. La fenêtre qui s'affiche est semblable à une fenêtre de l'Explorateur Windows. Dans la section du haut, sélectionnez les fichiers audio ou les morceaux que vous désirez ajouter au CD en cliquant dessus.
5. Cliquez sur le bouton **Add** (ajouter) en haut de la fenêtre pour ajouter les fichiers à votre CD.
6. Choisissez l'option close CD-R (fermeture de disque) si vous souhaitez utiliser le disque dans un lecteur audio, chez vous ou dans votre voiture.

Pour obtenir des informations concernant les fonctions avancées comme la création d'un CD multi-session ou la création d'un CD via le menu **File** (fichier) sans passer par Easy CD Creator Wizard, consultez le guide d'utilisation en ligne des logiciels Adaptec.

## Production d'une pochette de CD

Vous pouvez utiliser Easy CD Creator pour créer une pochette ou une étiquette de CD. Lorsque vous créez un CD audio ou de données, Easy CD Creator crée une pochette pour ce CD avec des informations comme le titre du CD, le nom de l'artiste et la liste de titres.

Pour imprimer une pochette ou une étiquette de CD, procédez comme suit :

1. Cliquez sur **Démarrer --> Programmes --> Adaptec Easy CD Creator 4 --> Create CD** (création de CD).
2. Cliquez sur **Jewel Case Creator** (création d'une pochette de CD).
3. Dans la partie gauche, sélectionnez en cliquant dessus la pochette avant, l'intérieur de la pochette avant, la pochette arrière ou l'étiquette de CD.
4. Procédez à vos modifications dans la fenêtre principale d'édition. Vous pouvez modifier le thème de l'arrière plan en cliquant sur le menu **Format** et en sélectionnant l'option **Change Themes** (modification des thèmes).
5. Quand vous avez fini de procéder à vos changements, cliquez sur le menu **File** (fichier), sélectionnez l'option **Print** (impression), puis cliquez sur **OK**.
6. Pour de plus amples informations sur la modification des informations figurant sur la pochette de CD, consultez le guide d'utilisation en ligne des logiciels Adaptec.

## Sauvegarde d'un CD

**Avertissement :** Le programme CD Copier copie les fichiers d'un CD à l'autre. Pour copier un CD du commerce, vous devez soit en posséder les droits de reproductions, soit obtenir une permission de la part du détenteur des droits de reproduction. Si vous ne disposez pas de l'une de ces autorisations, vous risquez d'entrer en violation avec les lois sur les droits de reproduction, et être amené à payer une amende ou des dommages. Pour de plus amples informations sur ces lois, consultez votre conseiller juridique.

Pour sauvegarder (copier) un CD à l'aide de votre unité de CD-RW, procédez comme suit :

1. Cliquez sur **Démarrer -->Programmes -->Adaptec Easy CD Creator 4 -->Features-->CD Copier** (copieur de CD). La fenêtre CD Copier s'affiche.
2. S'il y a lieu, cliquez sur l'onglet **Source and Destination** (source et destination) pour afficher la page correspondante.
3. Dans la section Copy From (copie à partir de), sélectionnez l'unité source dans la liste déroulante.

**Remarque :** Il s'agit de l'unité contenant le CD que vous voulez copier.

4. Dans la section Record To (copie vers), sélectionnez l'unité de CD-RW dans la liste déroulante. Assurez-vous qu'il y a un CD-R ou un CD-RW vierge dans l'unité de CD-RW.
5. Dans l'onglet **Advanced** (avancé), vous pouvez choisir de tester le CD afin de trouver la meilleure vitesse d'enregistrement. Vous pouvez également modifier le nombre de copies que vous voulez, ou choisir de copier le CD sur votre disque dur avant de le copier sur le CD vierge. Ces sélections augmenteront le temps de copie du CD.
6. Une fois les paramètres définis, insérez le CD que vous allez copier dans l'unité source.
7. Cliquez sur **Copy** (copie) pour lancer la copie.



---

## Parte 1: Guía del usuario y de instalación

Esta parte del manual consta de una introducción, instrucciones de instalación e instrucciones para el uso y mantenimiento de esta unidad de CD-RW (CD en que es posible la regrabación) de 12x8x32.

---

### Introducción

El presente apartado describe esta opción y el software que se suministra con la misma. Este apartado también contiene cierta información que resultará necesaria para el usuario antes de instalar la opción.

### Descripción del producto

La unidad de CD-RW de 12x8x32 de IBM puede grabar y leer con discos CD-RW y CD-R (CD en que es posible la grabación), así como realizar la lectura de CD de fabricación masiva sellados. Los CD creados con esta unidad son compatibles con las unidades MR (lectura múltiple) de CD-ROM y DVD-ROM que pueden leer discos CD-RW y otros soportes; también son compatibles con unidades de CD-ROM más antiguas que no son MR y que sólo pueden leer discos CD-R y CD-ROM.

La unidad puede grabar en un disco CD-R a una velocidad máxima de 12 veces la velocidad de CD-ROM estándar, pues graba datos a un máximo de 1800 KB<sup>1</sup> por segundo. A esta velocidad, la unidad puede grabar aproximadamente 650 MB de información en un disco CD-R en aproximadamente 6 minutos. La unidad graba a velocidades diferentes en los discos CD-RW y CD-R. La unidad puede grabar en un disco CD-RW de gran velocidad a un máximo de ocho veces la velocidad de CD-ROM estándar, pues graba datos a un máximo de 1200 KB por segundo. A esta velocidad, la unidad puede grabar aproximadamente 530 MB<sup>2</sup> de información en unos 9 minutos en un disco CD-RW. Asimismo, la unidad puede leer datos a una velocidad máxima de 32 veces la velocidad de CD-ROM estándar, lo que son 4800 KB por segundo.

**Nota:** Si desea utilizar la función de grabación en CD, debe instalar el software Easy CD Creator 4 o DirectCD (incluido) para Microsoft® Windows® 95 y Windows® 98 o Windows NT® 4.0, Windows® 2000 y Windows® Millennium (Me). Para obtener más información sobre el software Easy CD Creator 4 y DirectCD, consulte el "Paso 10. Instalación del software

---

1. KB equivale aproximadamente a 1024 bytes cuando se habla de velocidades de transferencia de datos.

2. MB equivale aproximadamente a 1000000 bytes cuando se habla de capacidad de almacenamiento.

Easy CD Creator y DirectCD” en la página 1-10. La unidad de 12x8x32 puede grabar en soportes CD-R y CD-RW de gran velocidad y de tipo estándar.

La unidad de CD-RW sólo puede instalarse en un sistema que utilice la arquitectura IDE (electrónica de unidad integrada) o la arquitectura IDE ampliada.

Además de este manual, el kit de la opción incluye los elementos siguientes:

- La unidad de CD-RW
- Dos cables de audio
- Cuatro tornillos de montaje
- Un cable IDE
- Dos marcos biselados<sup>3</sup> para el uso con determinados sistemas
- El disco del software Adaptec Easy CD Creator y DirectCD
- Una guía de seguridad de láser para los CD-ROM
- Un folleto sobre seguridad eléctrica

Póngase en contacto con el establecimiento de compra si falta algún elemento o se observan daños. Asegúrese de conservar la prueba de compra. Es posible que se le requiera presentarla a la hora de recibir el servicio de garantía. Consulte el Apéndice D para obtener información sobre las garantías.

## Descripción del software

El disco de Adaptec Easy CD Creator y DirectCD contiene programas que funcionan con Windows 95, Windows 98, Windows Me, Windows 2000 y Windows NT Workstation 4.0. Puede utilizar los programas con la unidad de CD-RW para crear CD de audio y datos, copiar CD y componer carátulas o etiquetas de CD. Este manual le facilitará instrucciones básicas sobre cómo utilizar el software a fin de que pueda empezar a crear los CD. Encontrará información adicional sobre el software y la manera de utilizarlo en la guía del usuario en línea del disco del software.

---

## Antes de empezar

Lea la información siguiente antes de empezar la instalación. Debe completar los pasos siguientes para instalar la unidad:

1. Determine qué puerto IDE debe utilizarse y el valor de configuración correspondiente.
2. Coloque o cambie el puente de configuración de la unidad (y, posiblemente, efectúe cambios en los puentes de configuración de otros dispositivos).

---

3. Si ha adquirido el kit de la opción de color negro, recibirá un solo marco biselado de color negro.

3. Instale la unidad en una bahía de unidad.
4. Configure el sistema.
5. Instale un controlador de dispositivo.

Si no comprende estos procedimientos o no está seguro de que pueda llevar a cabo todos los procedimientos que se describen, solicite los servicios de un técnico de sistemas cualificado para que instale la unidad de CD-RW.

## Requisitos de sistema

Antes de empezar a instalar la unidad, asegúrese de que el sistema cumpla con los requisitos de sistema indicados seguidamente.

- Requisito mínimo relativo al microprocesador: Procesador Intel® Pentium® (o cualquiera que sea equivalente)
- RAM mínima: 32 MB<sup>4</sup>
- Conexión IDE disponible
- Conexión de alimentación interna disponible
- Bahía de unidad de 5,25 pulgadas disponible
- Uno de los sistemas operativos siguientes:
  - Microsoft Windows NT Workstation 4.0
  - Microsoft Windows 95, Windows 98 o Windows Me
  - Microsoft Windows 2000

Puede que necesite un destornillador de tornillos de cabeza plana o Phillips para completar la instalación. También puede ser necesario consultar la documentación suministrada con el sistema. Asegúrese de tener disponible esta documentación.

## Instrucciones de manejo

Para proteger la unidad de CD-RW durante la instalación, observe las precauciones siguientes:

- Maneje la unidad con cuidado. Si la unidad cae o sufre sacudidas, pueden dañarse los componentes internos del alojamiento de la unidad.
- Mantenga la unidad de CD-RW en su bolsa antiestática hasta que esté preparado para instalar la unidad en el sistema. Limite los movimientos. El movimiento puede generar electricidad estática.
- No fuerce la inserción del cable de alimentación. Si se fuerza, puede dañarse el conector o bien la unidad.

---

4. Cuando se habla de capacidad de almacenamiento de memoria, MB significa aproximadamente 1000000 bytes; la capacidad total accesible para el usuario puede ser distinta según el entorno operativo.

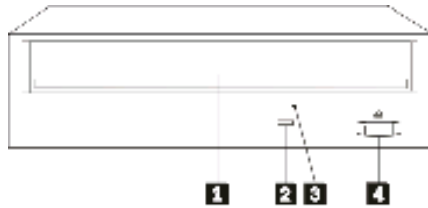
---

## Vistas del producto

Los apartados siguientes ilustran las vistas frontal y posterior de la unidad de CD-RW.

### Vista frontal de la unidad

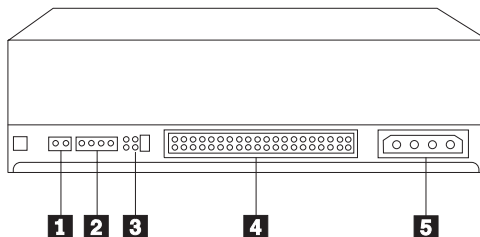
Consulte las ilustraciones siguientes para identificar las partes que puedan mencionarse en las instrucciones de instalación.



- 1 Bandeja de CD.** Utilice esta bandeja para la carga y descarga de un CD.
- 2 Indicador de ocupado.** Este indicador se enciende cuando la unidad realiza operaciones de lectura, grabación o reproducción con un CD.
- 3 Orificio de expulsión manual.** Este orificio proporciona acceso al mecanismo de expulsión para extraer un CD de la unidad cuando no funcionan los procedimientos normales.
- 4 Botón de expulsión/carga.** Cuando se pulsa, este botón abre o cierra la bandeja de CD.

### Vista posterior de la unidad

Consulte las ilustraciones siguientes para identificar las partes que puedan mencionarse en las instrucciones de instalación.



- 1 Reservado.**
- 2 Conector de salida de audio.** Utilice este conector para conectar la unidad de CD-RW a un adaptador de sonido.



**3 Patillas de configuración.** Estas patillas se utilizan para establecer la configuración de la unidad.

**4 Conector IDE.** Utilice este conector para conectar la unidad de CD-RW al cable IDE.

**5 Conector de alimentación CC.** Utilice este conector para conectar la unidad de CD-RW al cable de suministro de alimentación del sistema.

---

## Instalación de la unidad

A fin de instalar la unidad en el sistema, siga los pasos indicados a continuación.

### Paso 1. Operación de abrir el sistema

Para abrir el sistema, realice las acciones siguientes:

1. Apague el sistema y todos los dispositivos conectados.
2. Desenchufe los cables de alimentación correspondientes al sistema y todos los dispositivos conectados.
3. Desmonte la cubierta del sistema.

### Paso 2. Desembalaje de la unidad

Para desembalar la unidad, realice las acciones siguientes:

1. Con el objeto de descargarse de toda la electricidad estática acumulada, toque una superficie metálica sin pintar durante un mínimo de dos segundos. Tome la bolsa de embalaje de la unidad y póngala en contacto con una superficie metálica sin pintar durante un mínimo de dos segundos.
2. Extraiga la unidad de la bolsa.

Si tiene que dejar la unidad en algún sitio, coloque la bolsa antiestática sobre una superficie plana que sirva de almohadilla, como, por ejemplo, una revista, y coloque la unidad sobre la bolsa con el lado de los componentes boca arriba.

### Paso 3. Selección de un puerto IDE

Los sistemas más recientes suelen tener dos puertos IDE. Si su sistema dispone de dos puertos IDE, utilice el puerto IDE secundario para conectar la unidad de CD-RW. Normalmente, el puerto IDE secundario está en posición contigua al puerto IDE primario que se conecta a la unidad de disco duro. El puerto IDE seleccionado y la posición en el cable seleccionada determinarán qué valor de puente de configuración se utilizará para la unidad. Consulte el "Paso 4. Establecimiento del puente de configuración" en la página 1-7 para obtener las instrucciones de establecimiento del puente de configuración.

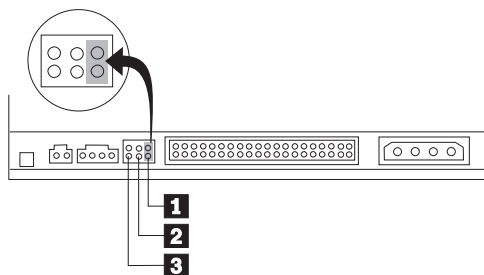
- Si dispone de dos puertos IDE, conecte la unidad de CD-RW al puerto IDE secundario mediante el cable IDE que se suministra con la unidad. Si la unidad de CD-RW es el único dispositivo del puerto IDE secundario, se utilizará el valor de configuración de maestro. Si existe otro dispositivo en el puerto secundario además de la unidad de CD-RW, se utilizará el valor de configuración de esclavo.
- Si debe conectar la unidad de CD-RW al mismo puerto IDE que un dispositivo más rápido, tal como una unidad de disco duro, utilice el valor de esclavo para la unidad de CD-RW y el valor de maestro para el dispositivo más rápido. En algunos casos, la unidad de disco duro puede requerir un valor de maestro con presencia de esclavo cuando se configura

como esclavo otro dispositivo que es del mismo cable. Para obtener más información sobre cómo establecer los puentes de configuración en los otros dispositivos, consulte la documentación suministrada con el sistema o con el dispositivo en cuestión.

- Algunos sistemas que no son IBM dan soporte al valor de selección en cable, según el cual la posición del dispositivo en el cable determina si el dispositivo es maestro o esclavo. Consulte la documentación suministrada con el sistema para determinar si éste da soporte al mencionado valor.

## Paso 4. Establecimiento del puente de configuración

La ilustración siguiente muestra el valor de maestro **1**, el valor de esclavo **2** y el valor de selección en cable **3**. Configure la unidad de CD-RW colocando un puente sobre un par de patillas de acuerdo con el valor elegido en el Paso 3.



- Si va a configurar la unidad como maestra, establezca el puente en el valor de dispositivo maestro **1**. (Así está establecida la unidad cuando se envía.) Si existe un segundo dispositivo en el puerto IDE, compruebe si el dispositivo está configurado como esclavo.
- Si va a configurar la unidad como esclava, establezca el puente en el valor de dispositivo esclavo **2**. Compruebe si el otro dispositivo del puerto IDE está configurado como maestro (o maestro con presencia de esclavo).
- Si va a configurar la unidad para la selección en cable, establezca el puente en el valor de dispositivo de selección en cable **3**. Si existe otro dispositivo en el puerto IDE, compruebe si el dispositivo también está configurado para la selección en cable.

## Paso 5. Montaje de la unidad en la bahía

**Atención:** Asegúrese de utilizar los tornillos de montaje incluidos en el paquete de la opción a la hora de fijar tornillos directamente en la unidad. Si utiliza tornillos demasiado largos, puede dañar la unidad.

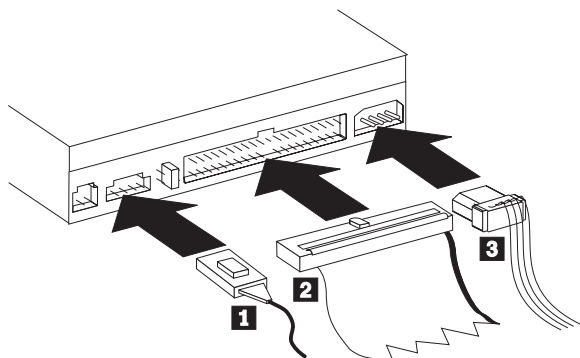
Es posible montar la unidad de CD-RW en el sistema de manera horizontal o vertical. Si monta la unidad verticalmente, debe asegurar cualquier CD que coloque en la unidad antes de cerrar la bandeja de ésta, ya que, de lo contrario,

la unidad de CD-RW no podrá leer el CD correctamente. Para obtener más instrucciones sobre cómo asegurar los CD en una unidad montada verticalmente, consulte el apartado "Carga de un CD" en la página 1-13.

1. Deslice la unidad en la bahía. Es posible que el sistema requiera unos procedimientos específicos para la instalación de dispositivos de almacenamiento. Consulte la documentación suministrada con el sistema a fin de ver si hay instrucciones adicionales.
2. Alinee los orificios de tornillo de la bahía de unidad con los orificios de rosca del alojamiento o de la pieza de sujeción de montaje de la unidad. Asegúrese de utilizar los tornillos de montaje proporcionados con esta unidad. Si utiliza tornillos de un tamaño inadecuado, puede dañar la unidad. Enrosque los tornillos sin apretarlos para comprobar su posición. Normalmente, se utilizan dos tornillos en ambos lados.
3. Verifique si la alineación es correcta y, luego, apriete los tornillos para asegurar la unidad. No los apriete demasiado.

## Paso 6. Conexión de los cables a la unidad

Conecte los cables a la unidad de CD-RW de la manera siguiente:



1. Si desea conectar la unidad de CD-RW al adaptador de sonido o a la función de sonido de la placa del sistema, localice los cables de audio que se incluyen y determine cuál de ellos se ajusta mejor al puerto de entrada de audio de CD del adaptador de sonido. Conecte un extremo del cable de audio seleccionado al conector de salida de audio **1** de la unidad de CD-RW y conecte el otro extremo del cable al puerto de entrada de audio de CD del adaptador de sonido. Guarde el otro cable por si, más adelante, utiliza un adaptador de sonido diferente.
2. Conecte un conector de cable IDE de 40 patillas **2** al conector IDE de la unidad. Alinee el cable de manera que el borde con código de color sea el que quede más cerca del conector del cable de alimentación **3**. Utilice el cable IDE proporcionado con esta opción si no hay ningún cable conectado al puerto IDE o si sólo hay un conector de dispositivo en el cable IDE. Si

utiliza el cable IDE que se incluye, conecte un extremo del cable al puerto IDE de la placa del sistema o al adaptador IDE y conecte el otro extremo del cable IDE a la unidad de CD-RW.

3. Localice uno de los cables de alimentación disponibles conectados a la fuente de alimentación del sistema. Conecte el cable de alimentación de cuatro patillas **3** al conector de alimentación cc de la unidad de CD-RW.

## **Paso 7. Finalización de la instalación del hardware**

Para completar la instalación del hardware, realice las acciones siguientes:

1. Compruebe si la unidad se ha montado de forma segura y si los conectores se encuentran bien conectados.
2. Asegúrese de que los cables no se crucen con la cubierta del sistema y de que no bloqueen las palas de ventilador de la fuente de alimentación ni los conductos de flujo del aire.
3. Vuelva a instalar la cubierta del sistema.
4. Vuelva a conectar todos los dispositivos y compruebe si queda alguno desconectado, como, por ejemplo, el teclado, el ratón y el monitor.
5. Conecte todos los cables de alimentación a las tomas de alimentación eléctrica.

## **Paso 8. Conexión de los marcos biselados**

El paquete de esta opción incluye dos marcos biselados que están adaptados al diseño curvo de algunos sistemas. Si su sistema tiene un diseño curvo, puede conectar uno de los marcos biselados que se incluyen para que la parte frontal de la unidad de CD-ROM coincida con la caja exterior. Elija el marco biselado que se ajuste mejor al sistema y, luego, conéctelo una vez montada la unidad de CD-RW en la bahía correspondiente.

**Nota:** Según el diseño exterior del sistema, puede que tenga que conectar el marco biselado antes de volver a poner la cubierta del sistema.

## **Paso 9. Actualización de la configuración del sistema**

Después de completar la instalación del hardware, reinicie el sistema. Normalmente, se visualiza la pantalla de información de la configuración cuando se enciende el sistema. Si no ve esta pantalla, busque en la documentación del sistema información sobre cómo acceder al programa de utilidad de configuración.

Para ver la información de la configuración en la mayoría de los sistemas IBM, pulse F1, durante el arranque, en el momento en que se visualiza el gráfico de IBM en la esquina superior derecha de la pantalla. Cuando haya terminado de repasar la información, guarde los cambios y salga.

## Paso 10. Instalación del software Easy CD Creator y DirectCD

Para instalar el software Easy CD Creator y DirectCD, lleve a cabo las acciones siguientes:

**Nota:** Lea el archivo README del CD de Adaptec Easy CD Creator y DirectCD, a fin de conseguir la información más reciente sobre el software Easy CD Creator y DirectCD.

El software Easy CD Creator y DirectCD contiene los programas siguientes:

- Easy CD Creator
- DirectCD

Para utilizar plenamente las posibilidades de la unidad de CD-RW, tiene que instalar ambos programas, Easy CD Creator y DirectCD. En el caso de disponer también de una unidad MR de CD-ROM o DVD-ROM en el sistema, puede que sea necesario instalar un programa UDF Reader para leer determinados discos CD-R o CD-RW en estas unidades.

Con el objeto de instalar el software Easy CD Creator y DirectCD para Windows 98, Windows 95, Windows Me, Windows 2000 o Windows NT 4.0, realice los pasos siguientes:

1. Inserte el disco de Easy CD Creator y DirectCD en la unidad de CD-RW.
2. Si se abre la ventana Adaptec Easy CD Creator Installation, siga las instrucciones de la pantalla. Si no, continúe en el paso siguiente.
3. Efectúe una pulsación sobre **Inicio --> Configuración --> Panel de control**.
4. Efectúe una doble pulsación sobre **Agregar o quitar programas**.
5. Siga las instrucciones de la pantalla para completar la instalación. Repita las tareas según sea necesario para instalar cada uno de los componentes de Easy CD Creator y DirectCD.
6. Si el paquete de la opción incluye un disquete de actualización para el software de Adaptec, insértelo cuando se le indique.
7. Reinicie el sistema operativo.

### Instalación del software UDF Reader para Windows 95, Windows 98, Windows Me, Windows 2000 y Windows NT 4.0

El software UDF Reader se proporciona para leer discos grabados con DirectCD en PC que no tienen instalado DirectCD. Cuando se instala DirectCD en el sistema, también se copia en el sistema una imagen del instalador de UDF Reader. Puede instalar UDF Reader en otros PC y, así, leer sus propios discos creados con UDF. La ubicación del instalador de UDF Reader es distinta según el sistema operativo y la selección del idioma.

Para instalar UDF Reader, siga estos pasos:

1. Seleccione **Inicio-->Buscar-->Archivos** o **Inicio-->Buscar-->Carpetas**.
2. Busque, en la unidad de disco duro del sistema, el archivo UDFRINST.EXE.
3. Copie en un disquete el archivo UDFRINST.EXE de la lista de archivos que ha encontrado.
4. Lleve el disquete al sistema en el que desea leer los discos de DirectCD.
5. En el nuevo sistema, efectúe una pulsación sobre **Mi PC**, sobre el icono de disquete y, luego, sobre el icono UDFRINST.EXE.
6. Siga las instrucciones de la pantalla para completar la instalación del software.
7. Reinicie el PC.

**Nota:** UDF Reader no es necesario en los sistemas que tienen instalado DirectCD. Se proporciona para que se utilice en sistemas que comparten soportes con el sistema que graba utilizando DirectCD.

---

## Utilización de discos CD-R y CD-RW

La unidad de CD-RW puede grabar tanto en discos CD-R como en discos CD-RW. Los discos CD-RW pueden borrarse y volver a utilizarse muchas veces, mientras que en los discos CD-R la grabación sólo es posible una vez.

CD Creator se utiliza para copiar CD, crear nuevos CD de datos y producir nuevos CD de audio que pueden leer las unidades de CD-ROM y los reproductores de CD estándares.

DirectCD se utiliza para crear CD de archivos y datos que pueden modificarse muchas veces. También proporciona la comodidad del acceso directo de letra de unidad. Cuando se utiliza con soportes CD-RW, el funcionamiento de DirectCD es muy parecido a la manera de utilizar un disquete para almacenar archivos. Si DirectCD se utiliza con soportes CD-R, es posible grabar y volver a grabar hasta que el CD está lleno, momento a partir del cual los datos pasan a estar fijos. Los soportes creados con DirectCD sólo pueden leerse mediante las unidades de CD-ROM y DVD-ROM más recientes que permiten la modalidad de lectura múltiple. Algunos sistemas operativos requieren UDF Reader para poder leer los discos creados con DirectCD.

**Nota:** En los reproductores de CD de audio, pueden reproducirse discos CD-R. Los discos CD-RW no pueden reproducirse en la mayoría de los reproductores de CD de audio.

**Nota:** La estimación de los soportes CD-R depende de la velocidad de grabación. Para la modalidad de grabación de 12x, se requerirán soportes de 12x. Póngase en contacto con el fabricante de los soportes

para determinar la velocidad máxima requerida de los mismos. La tabla siguiente muestra la matriz de compatibilidades de los soportes de gran velocidad y de poca velocidad:

Unidad	Soportes	Grabación	Lectura
Poca velocidad	Poca velocidad	Sí	Sí
Poca velocidad	Gran velocidad	No	Sí
Gran velocidad	Gran velocidad	Sí	Sí
Gran velocidad	Poca velocidad	Sí*	Sí

\*Grabará a poca velocidad en los soportes de poca velocidad.

---

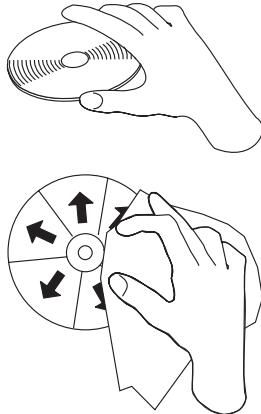
## Utilización de la unidad

Este apartado le facilitará información sobre el manejo y cuidado de los CD y la unidad de CD-RW, sobre cómo cargar los CD en la unidad de CD-RW y sobre cómo empezar a utilizar los programas Easy CD Creator y DirectCD.

### Manejo y cuidado de un CD

Los CD son soportes de alta densidad que deben manejarse con cuidado y mantenerse limpios para asegurarse de que permanezcan legibles. Estas precauciones ayudarán a prolongar la duración de los CD.

**Atención:** Si limpia un CD realizando un movimiento circular, puede causar una pérdida de datos.



- Maneje el CD sujetándolo por los bordes o por el orificio central. No toque la superficie del CD.



- Para quitar el polvo o las huellas de los dedos, limpie el CD desde el centro hacia el borde con un paño suave sin hilos.
- No escriba en la superficie.
- No esponga el CD a la luz solar directa.
- No utilice ningún tipo de limpiador comercializado al limpiar el CD.
- No curve el CD.

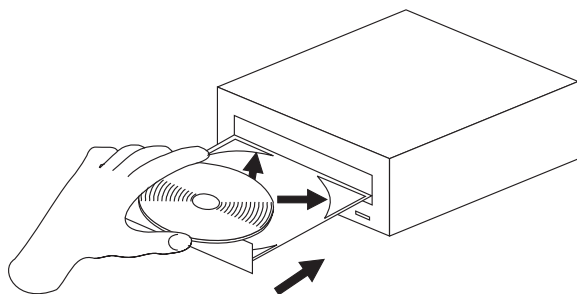
## Cuidado de la unidad de CD-RW

Para proteger la unidad de CD-RW en cualquier operación, observe las precauciones siguientes:

- Extraiga el CD que haya en la unidad antes de trasladarla.
- No inserte objetos extraños en la unidad.
- No desmonte la cubierta de la unidad ni intente dar servicio a la unidad.
- No haga funcionar la unidad en ninguna de las condiciones siguientes:
  - Temperatura alta, humedad alta o luz solar directa
  - Vibración excesiva, sacudidas repentinas o superficie inclinada
  - Polvo excesivo

## Carga de un CD

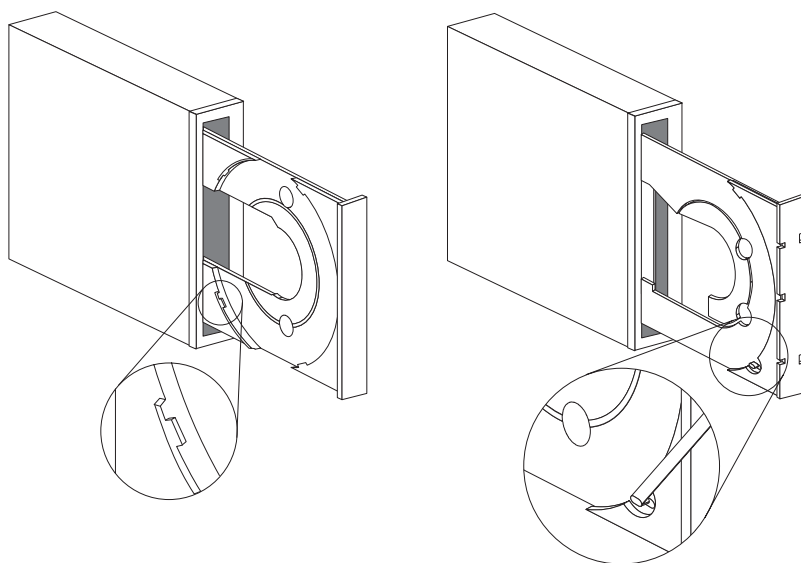
Para cargar un CD en una unidad de CD-RW montada horizontalmente, realice las acciones siguientes:



1. Pulse el botón de **expulsión/carga**. La bandeja se desliza hacia fuera de la unidad.
2. Inserte el CD en la bandeja de carga.
3. Cierre la bandeja de carga pulsando el botón de **expulsión/carga** o empujando suavemente la bandeja hacia dentro.

**Atención:** No fuerce la bandeja para que se abra; no inserte objetos extraños en la bandeja de CD. Si no se abre la bandeja cuando se pulsa el botón de **expulsión/carga**, consulte el apartado “Expulsión manual de un CD” en la página 1-14.

Para cargar un CD en una unidad de CD-RW montada verticalmente, siga estos pasos.

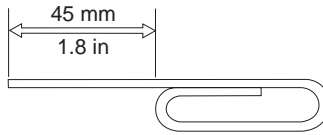


1. Pulse el botón de **expulsión/carga**.
2. Observe las ilustraciones y compárelas con la bandeja de carga.
  - Si el aspecto de la bandeja de carga es parecido al de la ilustración izquierda, inserte el CD con cuidado de tal manera que los bordes del mismo queden debajo de las pestañas de la bandeja de carga. Estas pestañas de plástico cubren los bordes del CD y lo retienen en su sitio. Las pestañas se encuentran unidas a la propia bandeja sin que puedan moverse.
  - Si el aspecto de la bandeja de carga es parecido al de la ilustración derecha, inserte el CD en la bandeja y empuje suavemente la pestaña móvil hacia adelante para retener el CD en su sitio.
3. Cierre la bandeja de carga pulsando el botón de **expulsión/carga** o empujando suavemente la bandeja hacia dentro.

## Expulsión manual de un CD

Si pulsa el botón de **expulsión/carga** y la bandeja no se desliza hacia fuera, apague el sistema. Estire un clip grande de papel para formar una herramienta tal como muestra la ilustración. El extremo estirado debe tener una extensión mínima de 45 mm (1,8 pulgadas). Inserte el extremo extendido en el orificio de expulsión manual de la parte frontal de la unidad (consulte el apartado "Vista frontal de la unidad" en la página 1-4). Empuje el clip de papel hacia el interior

del orificio hasta que la bandeja se abra. Tire suavemente de la bandeja hacia fuera hasta que pueda extraer el CD.



## Utilización de los programas Easy CD Creator y DirectCD

Para utilizar el software Easy CD Creator y DirectCD, inserte un disco CD-RW o un disco CD-R en blanco o con grabación parcial en la unidad de CD-RW. La ventana de menús de Easy CD Creator se abre automáticamente.

Para que se abra DirectCD, realice las acciones siguientes:

1. Efectúe una pulsación sobre **Inicio --> Programas --> Adaptec DirectCD**.
2. Efectúe una pulsación sobre **Asistente de DirectCD**.

## Formateo de los CD

Un disco CD-RW en blanco debe formatearse, utilizando DirectCD, para poder arrastrar y soltar archivos en el disco.

Para formatear un disco CD-RW<sup>5</sup> con el programa DirectCD:

1. Inserte un disco en blanco. Se abre la ventana Bienvenida del Asistente de DirectCD.
2. Efectúe una pulsación sobre **Siguiente** dos veces. Se abre la ventana Formatear disco.

**Atención:** El formateo se completa al cabo de unos 30 minutos para los soportes estándares y al cabo de unos 15 minutos para los soportes de gran velocidad. El programa DirectCD configura el disco para que reciba datos, verifica la integridad de la superficie del disco y graba en el mismo estructuras de sistema de archivos de DirectCD. Pueden desarrollarse otras tareas en el sistema mientras se está formateando el disco.

3. Efectúe una pulsación sobre **Siguiente** para continuar. Se abre la ventana Dar nombre al disco.
4. Escriba el título del disco en la ventana Dar nombre al disco. El nombre del disco puede tener, como máximo, 11 caracteres.
5. Si piensa utilizar software de compresión de datos con este disco, efectúe una pulsación sobre el recuadro de selección situado junto al mensaje Habilitar compresión en este disco.

---

5. Algunos CD, como, por ejemplo, los CD multisesión, no requieren formateo. Si desea más información, consulte la guía del usuario en línea sobre el software de Adaptec.

6. Efectúe una pulsación sobre **Finalizar** a fin de iniciar el formateo del disco. Una vez terminado el formateo del disco, se abre la ventana Disco preparado.
7. Efectúe una pulsación sobre **Aceptar** en la ventana Disco preparado.

Ahora puede grabarse información en el disco.

**Nota:** Si se encuentra con algún problema al formatear un disco CD-RW, consulte el apartado “No puede formatearse un disco CD-RW.” en la página B-2.

Si desea leer un disco formateado con DirectCD en otro sistema que tenga una unidad de lectura múltiple, posiblemente será necesario instalar el programa UDF Reader en el otro sistema. El UDF Reader, que puede encontrar en el CD de Adaptec, se instala junto con CD Creator y recibe el nombre de UDFRINST.EXE.

## Creación de los CD de datos o creación de copias de seguridad de archivos de datos

Para crear CD de datos, siga estos pasos:

1. Efectúe una pulsación sobre **Inicio -->Programas -->Adaptec Easy CD Creator 4 -->Features-->Easy CD Creator**.
2. La ventana que se abre es similar a la del Explorador de Windows. En la sección superior, efectúe una pulsación para seleccionar los archivos o directorios que desee añadir al CD.
3. Efectúe una pulsación sobre el botón **Añadir** de la parte superior de la ventana para añadir los archivos al CD.
4. Para obtener información sobre funciones avanzadas, tales como la creación de un CD multisesión o la creación de un CD utilizando el menú **Archivo** en lugar del Asistente de Easy CD Creator, consulte la guía del usuario en línea sobre el software de Adaptec software.

## Creación de los CD de audio

Para crear CD de audio:

1. Efectúe una pulsación sobre **Inicio --> Programas --> Adaptec Easy CD Creator 4 --> Crear CD**.
2. Cuando se abra la ventana de Easy CD Creator, efectúe una pulsación sobre **Audio**.
3. Efectúe una pulsación sobre **Audio CD** .
4. La ventana que se abre es similar a la del Explorador de Windows. En la sección superior, efectúe una pulsación para seleccionar los archivos o las pistas de audio que desee añadir al CD.

5. Efectúe una pulsación sobre el botón **Añadir** de la parte superior de la ventana para añadir los archivos al CD.
6. Elija la opción de cierre de disco CD-R si piensa utilizarlo en los reproductores de su coche o de su casa.

Si desea información sobre funciones avanzadas, tales como la creación de un CD multisesión o la creación de un CD utilizando el menú **Archivo** en lugar del Asistente de Easy CD Creator, consulte la guía del usuario en línea sobre el software de Adaptec.

## Creación de una carátula

Puede utilizar Easy CD Creator para crear una carátula o etiqueta de CD. Cuando se crea un CD de datos o de audio, el programa Easy CD Creator crea una carátula utilizando la información del diseño del CD, como, por ejemplo, el título del CD, el nombre del artista y la lista de canciones.

Para imprimir una carátula o etiqueta de CD:

1. Efectúe una pulsación sobre **Inicio --> Programas --> Adaptec Easy CD Creator 4 --> Crear CD**.
2. Efectúe una pulsación sobre **Jewel Case Creator**.
3. En la parte de la izquierda, efectúe una pulsación para seleccionar la portada, portada interior, contraportada o etiqueta de CD.
4. Realice cualquier cambio en la ventana de edición principal. Puede cambiar el tema de fondo efectuando una pulsación sobre el menú **Formato** y seleccionando **Cambiar temas**.
5. Cuando haya terminado de realizar cambios, efectúe una pulsación sobre el menú **Archivo**, seleccione **Imprimir** y, luego, efectúe una pulsación sobre **Aceptar**.
6. Para obtener más información sobre cómo cambiar la información en la ventana Diseño de carátula, consulte la guía del usuario en línea sobre el software de Adaptec.

## Creación de la copia de seguridad de un CD

**Atención:** El programa CD Copier copia archivos de un CD en otro CD. Para copiar un CD comercializado, el usuario debe ser propietario del copyright o debe obtener permiso del propietario del copyright. Si no es propietario del copyright ni tiene permiso de copia del propietario del copyright, puede estar infringiendo la ley de copyright y puede encontrarse sujeto al pago de los daños o a otro tipo de compensación. Conseguirá más información sobre la ley de copyright si consulta a su asesor jurídico.

Para crear la copia de seguridad de un CD utilizando la unidad de CD-RW:

1. Efectúe una pulsación sobre **Inicio -->Programas -->Adaptec Easy CD Creator 4 -->Features -->CD Copier**. Se abre la ventana CD Copier.

2. Efectúe una pulsación sobre la pestaña **Origen y destino** si no está encima.
3. En la sección Copiar desde, seleccione la unidad origen dentro del recuadro de desplazamiento.

**Nota:** Ésta es la unidad del CD que desea copiar.

4. En la sección Grabar en, seleccione la unidad de CD-RW dentro del recuadro de desplazamiento. Asegúrese de que haya un disco CD-RW o un disco CD-R en blanco en la unidad de CD-RW.
5. En la pestaña **Avanzada**, puede elegir probar el CD para lograr la mejor velocidad de grabación posible. También puede cambiar el número de copias creadas o puede elegir copiar el CD en el disco duro antes de que se copie en el CD en blanco. Estas selecciones harán aumentar el tiempo que pueda ocupar la copia del CD.
6. Cuando haya terminado de elegir los valores, coloque, en la unidad origen, el CD que va a copiar.
7. Efectúe una pulsación sobre **Copiar** para iniciar la copia del CD.

---

## Parte 1: Guida per l'utente e all'installazione

Questa parte del manuale è costituita da un'introduzione, dalle istruzioni sull'installazione e dalle istruzioni sull'utilizzo e la manutenzione di questa unità CD-RW (CD-ReWritable) 12x8x32.

---

### Introduzione

In questa sezione vengono fornite le informazioni su questa opzione e sul software, fornito con essa. Questa sezione contiene anche alcune informazioni necessarie prima di installare l'opzione.

### Descrizione del prodotto

L'unità CD-RW 12x8x32 IBM è in grado di scrivere e leggere CD registrabili e CD-RW e può leggere CD stampati e prodotti. I CD creati con questa unità sono compatibili con unità DVD-ROM e CD-ROM MR (Multi-Read) che possono leggere dischi CD-RW ed altri strumenti e con unità CD-ROM non MR che possono leggere solo dischi CD-R e CD-ROM.

L'unità è in grado di scrivere su un disco CD-R fino a 12 volte la velocità standard del CD-ROM, registrando dati fino a 1800 KB<sup>1</sup> al secondo. A questa velocità, l'unità è in grado di registrare circa 650 MB di informazioni su un disco CD-R in circa 6 minuti. L'unità scrive su dischi CD-RW e CD-R a diverse velocità. L'unità è in grado di scrivere su un disco CD-RW ad alta velocità fino a otto volte la velocità standard del CD-ROM, registrando dati fino a 1200 KB al secondo. A questa velocità, l'unità può registrare circa 530 MB<sup>2</sup> di informazioni su un disco CD-RW in circa 9 minuti. L'unità può anche leggere dati fino a 32 volte la velocità standard del CD-ROM oppure 4800 KB al secondo.

**Nota:** Per utilizzare la funzione di registrazione CD, è necessario installare il software Easy CD Creator 4 o DirectCD (incluso) per Microsoft® Windows® 95, Windows® 98 o Windows NT® 4.0, Windows® 2000 e Windows® Millennium (Me). Per ulteriori informazioni sul software Easy CD Creator 4 e DirectCD, consultare la sezione "Passo 10. Installazione del software Easy CD Creator e DirectCD" a pagina 1-10. La dimensione 12x8x32 può scrivere su strumenti CD-RW e CD-R standard e ad alte velocità.

---

1. KB equivale a circa 1024 byte quando si riferisce alle velocità di trasferimento dati.

2. MB equivale a circa 1 000 000 byte quando si riferisce alla capacità di memorizzazione.

L'unità CD-RW può essere installata solo in un elaboratore che utilizza la struttura IDE avanzata o IDE (Integrated Drive Electronics).

Oltre a questo manuale, il kit di opzione include:

- Unità CD-RW
- Due cavi audio
- Quattro viti di fissaggio
- Un cavo IDE
- Due mascherine<sup>3</sup> per l'utilizzo con particolari elaboratori
- Disco del software Adaptec Easy CD Creator e DirectCD
- Guida sulla sicurezza relativa al laser per i CD-ROM
- Opuscolo sulla sicurezza elettrica

Se un componente è mancante o danneggiato, contattare il punto di vendita. Conservare la ricevuta d'acquisto. E' possibile che venga richiesta assistenza tecnica. Per le informazioni sulla garanzia, consultare l'Appendice D.

## Descrizione del software

Il disco Adaptec Easy CD Creator e DirectCD contiene i programmi che funzionano con i sistemi operativi Windows 95, Windows 98, Windows Me, Windows 2000 e Windows NT Workstation 4.0. E' possibile utilizzare i programmi con l'unità CD-RW per creare CD dati e audio, per copiare i CD e creare astucci o etichette per CD. Questo manuale fornisce le istruzioni di base sull'utilizzo del software in modo tale che è possibile avviare la creazione dei CD. Le informazioni aggiuntive relative al software e al relativo utilizzo possono essere reperite nella Guida per l'utente in linea sul disco del software.

---

## Prima di iniziare

Prima di avviare l'installazione, leggere le seguenti informazioni. E' necessario completare i seguenti passi per installare l'unità:

1. Determinare la porta IDE da utilizzare e l'impostazione della configurazione corrispondente.
2. Posizionare o modificare il cavallotto di configurazione sull'unità (e possibilmente apportare le modifiche ai cavallotti di configurazione di altre unità).
3. Installare l'unità in un relativo vano.
4. Configurare il sistema.
5. Installare un driver di periferica.

---

3. Se viene acquistato il kit di opzione nero, viene fornita una mascherina nera.



Se queste procedure non vengono comprese oppure se non si è sicuri della propria capacità di eseguire tutte le procedure descritte da un tecnico qualificato per installare un'unità CD-RW.

## Requisiti del sistema

Prima di installare l'unità, verificare che l'elaboratore soddisfi i seguenti requisiti del sistema.

- Microprocessore minimo: Processore Pentium® Intel® (o equivalente)
- Memoria RAM minima: 32 MB<sup>4</sup>
- Connessione IDE disponibile
- Connessione di alimentazione interna disponibile
- Vano dell'unità da 5,25" disponibile
- Uno dei seguenti sistemi operativi:
  - Microsoft Windows NT Workstation 4.0
  - Microsoft Windows 95, Windows 98 o Windows Me
  - Microsoft Windows 2000

Potrebbe essere necessario un cacciavite Phillips o a testa piatta per completare l'installazione. Inoltre, potrebbe essere necessario consultare la documentazione fornita con l'elaboratore. Accertarsi della disponibilità di questa documentazione.

## Istruzioni sul trasporto

Durante l'installazione, per proteggere l'unità CD-RW, osservare le seguenti precauzioni:

- Maneggiare l'unità con cura. Il trasporto o la caduta dell'unità può danneggiare i componenti interni.
- Conservare l'unità CD-RW in un imballo antistatico fino a quando non si è pronti per effettuare l'installazione dell'unità. Limitare i movimenti. Il movimento può generare elettricità statica.
- Non forzare l'inserimento del cavo di alimentazione. Operando in questo modo, è possibile danneggiare il connettore o l'unità.

---

## Viste del prodotto

Le seguenti sezioni illustrano la parte anteriore e quella inferiore dell'unità CD-RW.

---

4. Quando si riferisce alla capacità di memoria, MB significa circa 1 000 000 byte; è possibile che la capacità di accesso da parte dell'utente vari da seconda dell'ambiente operativo.

## Vista anteriore dell'unità

Per identificare le parti che potrebbero essere relative alle istruzioni sull'installazione, consultare le seguenti illustrazioni.



**1 Vassoio CD.** Per caricare e scaricare un CD, utilizzare questo vassoio.

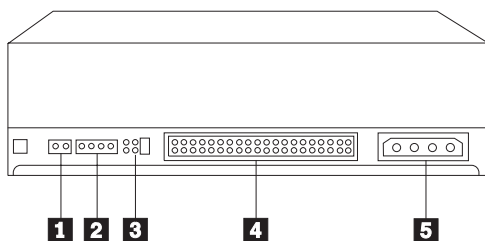
**2 Indicatore di segnale occupato.** Questo indicatore si accende quando l'unità viene letta, scritta o riproduce un CD.

**3 Foro di espulsione manuale.** Questo foro fornisce l'accesso al meccanismo di espulsione per rimuovere un CD dall'unità, quando le procedure normali non funzionano.

**4 Pulsante Carica/Espelli.** Una volta premuto, questo pulsante apre o chiude il vassoio del CD.

## Vista posteriore dell'unità

Per identificare le parti che potrebbero essere relative alle istruzioni sull'installazione, consultare le seguenti illustrazioni.



**1 Riservato.**

**2 Connettore di emissione audio.** Utilizzare questo connettore per collegare l'unità CD-RW a un adattatore audio.

**3 Piedini di configurazione.** Questi piedini sono utilizzati per impostare la configurazione dell'unità.

**4 Connettore IDE.** Utilizzare questo connettore per collegare l'unità CD-RW al cavo IDE.

**5 Connettore di alimentazione DC.** Utilizzare questo connettore per collegare l'unità CD-RW al cavo dell'alimentatore.

---

## Installazione dell'unità

Per installare l'unità nell'elaboratore, utilizzare la procedura riportata di seguito.

### Passo 1. Apertura dell'elaboratore

Per aprire l'elaboratore, procedere nel modo seguente:

1. Spegnerne l'elaboratore e tutte le unità collegate.
2. Scollegare i cavi di alimentazione dell'elaboratore e di tutte le periferiche.
3. Rimuovere il coperchio dall'elaboratore.

### Passo 2. Disimballaggio dell'unità

Per disimballare l'unità, procedere nel modo seguente:

1. Per scaricare eventuale elettricità statica accumulata, toccare una superficie di metallo per almeno due secondi. Mettere in contatto l'imballo, in cui è contenuta l'unità con una superficie metallica per almeno due secondi.
2. Rimuovere l'unità dall'imballo.

Se è necessario poggiare l'unità, posizionare l'imballo antistatico su una superficie piana, come una rivista e posizionare l'unità sull'imballo antistatico.

### Passo 3. Selezione di una porta IDE

Di solito, gli elaboratori nuovi dispongono di due porte IDE. Se l'elaboratore dispone di due porte IDE, utilizzare la porta IDE secondaria per collegare l'unità. Di solito, la porta IDE secondaria è adiacente alla porta IDE primaria che viene collegata all'unità disco fisso. La porta IDE selezionata e la posizione del cavo selezionata determinerà l'impostazione del cavallotto di configurazione da utilizzare per l'unità. Per istruzioni sull'impostazione del cavallotto di configurazione, consultare la sezione "Passo 4. Impostazione del cavallotto di configurazione" a pagina 1-7.

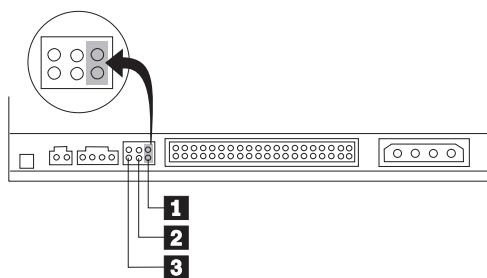
- Se si dispone di due porte IDE, collegare l'unità CD-RW alla porta IDE secondaria con il cavo IDE, fornito con l'unità. Se sulla porta IDE secondaria è presente solo l'unità CD-RW, verrà utilizzata l'impostazione di configurazione principale. Se sulla porta secondaria è presente un'altra unità oltre all'unità CD-RW, verrà utilizzata l'impostazione della configurazione secondaria.
- Se è necessario collegare l'unità CD-RW alla stessa porta IDE come unità principale, ad esempio un'unità disco fisso, utilizzare l'impostazione secondaria per l'unità CD-RW e l'impostazione principale per l'unità più veloce. In alcuni casi, l'unità disco fisso potrebbe richiedere l'impostazione di cavallotto principale con una seconda unità presente quando un'altra unità, collegata allo stesso cavo, viene configurata come secondaria. Per ulteriori

informazioni sull'impostazione del cavalletto di configurazione su altre unità, consultare la documentazione fornita con l'elaboratore o con l'unità in uso.

- Alcuni elaboratori non IBM supportano l'impostazione di selezione cavo, dove la posizione dell'unità sul cavo determina se un'unità sia principale o secondaria. Per determinare se il sistema supporta questa impostazione, consultare la documentazione fornita con l'elaboratore.

## Passo 4. Impostazione del cavalletto di configurazione

La seguente illustrazione riporta l'impostazione principale **1**, l'impostazione secondaria **2** e l'impostazione di selezione cavo **3**. Configurare l'unità CD-RW posizionando un cavalletto su un paio di piedini corrispondenti all'impostazione selezionata nel Passo 3.



- Se si configura l'unità come unità principale, impostare il cavalletto come unità principale **1**. In questo modo viene illustrato come viene impostata l'unità quando è fornita. Se è presente un'unità secondaria sulla porta IDE, verificare che l'unità sia configurata come secondaria.
- Se si sta configurando l'unità come unità secondaria, impostare il cavalletto come unità secondaria **2**. Verificare che l'altra unità sulla porta IDE sia configurata come unità principale (oppure sia presente l'unità secondaria con quella principale).
- Se si sta configurando l'unità come unità di selezione cavo, impostare il cavalletto come unità di selezione cavo **3**. Se è presente un'altra unità sulla porta IDE, verificare che l'unità sia configurata per l'unità di selezione cavo.

## Passo 5. Fissaggio dell'unità nel vano

**Avvertenza:** Utilizzare le viti di fissaggio, comprese nel pacchetto di opzione quando si desidera installare le viti direttamente nell'unità. L'utilizzo delle viti troppo lunghe potrebbe danneggiare l'unità.

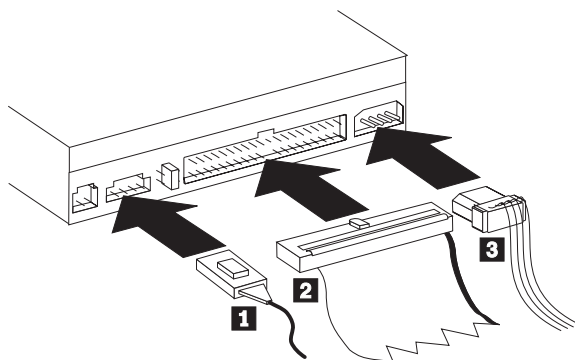
E' possibile fissare l'unità CD-RW orizzontalmente o verticalmente. Se si fissa l'unità verticalmente, è necessario fissare qualsiasi CD nell'unità prima di chiudere il vassoio dell'unità oppure l'unità CD-RW non riesce a leggere il CD

correttamente. Per ulteriori informazioni sull'inserimento dei CD in un'unità fissata verticalmente, consultare la sezione "Caricamento di un CD" a pagina 1-13.

1. Far scorrere l'unità nel vano. L'elaboratore potrebbe disporre di specifiche procedure richieste per l'installazione delle unità di memoria. Per ulteriori informazioni, consultare la documentazione fornita con l'elaboratore.
2. Allineare i fori delle viti tra il vano e l'unità con i fori filettati del supporto di fissaggio o dell'alloggiamento dell'unità. Utilizzare le viti di fissaggio fornite con questa unità. L'utilizzo delle viti di dimensione non corretta potrebbe danneggiare l'unità. Per verificare la corretta posizione, inserire le viti in maniera allentata. Di solito, le due viti sono utilizzate su ciascun lato.
3. Verificare che l'allineamento sia corretto e, quindi, serrare le viti per fissare l'unità. Non serrare eccessivamente.

## Passo 6. Collegamento dei cavi all'unità

Collegare i cavi all'unità CD-RW come segue:



1. Se si desidera collegare l'unità CD-RW all'adattatore audio o alla funzione audio sulla scheda di sistema, individuare i cavi audio inclusi e determinare il cavo adatto alla porta di immissione audio CD sull'adattatore audio. Collegare un'altra estremità del cavo audio selezionato al connettore di emissione audio dell'unità CD-RW **1** e l'altra estremità del cavo alla porta di immissione audio CD dell'adattatore audio. Se si utilizza un adattatore audio differente in futuro, salvare l'altro cavo.
2. Collegare il connettore cavo IDE a 40 piedini **2** al connettore IDE dell'unità. Allineare il cavo in modo tale che il margine colorato sia più vicino al connettore del cavo di alimentazione **3**. Utilizzare il cavo IDE fornito con questa opzione se non è collegato alcun cavo alla porta IDE o se è presente solo un connettore dell'unità sul cavo IDE. Se si utilizza il cavo IDE incluso, collegare un'estremità del cavo all'adattatore IDE o alla porta IDE della scheda di sistema e l'altra estremità del cavo IDE all'unità CD-RW.

3. Individuare uno dei cavi di alimentazione disponibili collegati al sorgente di alimentazione dell'elaboratore. Collegare il cavo di alimentazione a quattro piedini **3** al connettore di alimentazione CD dell'unità CD-RW.

## **Passo 7. Completamento dell'installazione hardware**

Per completare l'installazione hardware, procedere nel modo seguente:

1. Verificare che l'unità sia fissata correttamente e che i connettori siano collegati correttamente.
2. Accertarsi che i cavi non intralcino il coperchio dell'elaboratore e che non blocchino la ventola dell'alimentatore o il canale del flusso d'aria.
3. Reinstallare il coperchio dell'elaboratore.
4. Ricollegare tutte le unità e verificare qualsiasi unità, eventualmente scollegata, ad esempio la tastiera, il mouse ed il video.
5. Collegare tutti i cavi di alimentazione alle prese elettriche.

## **Passo 8. Collegamento delle mascherine**

Questo pacchetto di opzione include due maschere che sono conformi al disegno di specifici elaboratori. Se l'elaboratore dispone di un disegno, è possibile collegare una delle maschere incluse in modo che la parte anteriore dell'unità CD-ROM corrisponda all'archivio esteriore. Selezionare la maschera adatta all'elaboratore e poi collegarla una volta fissata l'unità CD-RW nel vano appropriato.

**Nota:** A seconda del disegno esteriore dell'elaboratore, potrebbe essere necessario collegare la maschera prima di reinstallare il coperchio dell'elaboratore.

## **Passo 9. Aggiornamento della configurazione dell'elaboratore**

Una volta completata l'installazione hardware, riavviare l'elaboratore. Di solito, quando si accende l'elaboratore, viene visualizzato il pannello delle informazioni sull'impostazione e configurazione. Se questo pannello non viene visualizzato, per le informazioni sull'accesso al programma di configurazione o setup utility, consultare la documentazione dell'elaboratore.

Per visualizzare le informazioni di configurazione relative alla maggior parte degli elaboratori IBM, premere il tasto F1 durante l'avvio quando viene visualizzato il grafico IBM nell'angolo in alto a destra del pannello. Una volta terminata la visualizzazione delle informazioni, salvare le modifiche apportate ed uscire.

## Passo 10. Installazione del software Easy CD Creator e DirectCD

Per installare il software Easy CD Creator e DirectCD, procedere nel modo seguente:

**Nota:** Per ulteriori informazioni sul software Easy CD Creator e DirectCD, consultare il file README compreso nel CD Adaptec EasyCD Creator e DirectCD.

Il software Easy CD Creator e DirectCD contiene i programmi riportati di seguito:

- Easy CD Creator
- DirectCD

Per utilizzare le funzionalità dell'unità CD-RW, è necessario installare i programmi Easy CD Creator e DirectCD. Se si dispone anche di un'unità MR CD-ROM o DVD-ROM nell'elaboratore, potrebbe essere necessario installare un programma di lettura UDF per leggere alcuni dischi CD-R o CD-RW in queste unità.

Per installare il software Easy CD Creator e DirectCD per Windows98, Windows 95, Windows Me, Windows 2000 o Windows NT 4.0, effettuare la procedura riportata di seguito:

1. Inserire il disco di Easy CD Creator e DirectCD nell'unità CD-RW.
2. Se viene visualizzata la finestra di installazione di Adaptec Easy CD Creator, seguire le istruzioni visualizzate. In caso contrario, passare all'operazione successiva.
3. Fare clic su **Avvio/Start --> Impostazioni --> Pannello di controllo**.
4. Fare doppio clic su **Installazione applicazioni**.
5. Seguire le istruzioni visualizzate per completare l'installazione. Se necessario, ripetere l'installazione di ciascun componente di Easy CD Creator e DirectCD.
6. Se il pacchetto di opzione include un minidisco di aggiornamento del software Adaptec, inserirlo quando viene richiesto.
7. Riavviare il sistema operativo.

### **Installazione del software del lettore UDF per Windows 95, Windows 98, Windows Me, Windows 2000 e Windows NT 4.0**

Il software di lettura UDF viene fornito per leggere dischi scritti con DirectCD su PC che non dispongono del software DirectCD installato. Quando si installa DirectCD sul sistema, viene eseguita una copia del programma di installazione di lettura UDF sul sistema. E' possibile installare il programma di lettura UDF su altri PC per leggere i propri dischi creati con UDF. L'ubicazione del



programma di installazione di lettura UDF varia a seconda della selezione di lingua effettuata e del sistema operativo in uso.

Per installare il lettore UDF, procedere nel modo seguente:

1. Selezionare **Avvio/Start-->Trova-->File** **Avvio/Start-->Trova-->Cartelle**.
2. Cercare il file UDFRINST.EXE sull'unità disco fisso dell'elaboratore.
3. Copiare il file UDFRINST.EXE dall'elenco file rilevato su un minidisco.
4. Inserire il minidisco con cui si desidera leggere i dischi di DirectCD.
5. Sul nuovo sistema, fare clic su **Risorse del computer**, fare clic sull'icona del minidisco e poi selezionare l'icona UDFRINST.EXE.
6. Per completare l'installazione del software, seguire le istruzioni visualizzate.
7. Riavviare il PC.

**Nota:** Il lettore UDF non è richiesto su elaboratori che dispongono del software DirectCD installato. Esso viene fornito per essere utilizzato su elaboratori che condividono strumenti con elaboratori che scrivono mediante DirectCD.

---

## Utilizzo dei dischi CD-R e CD-RW

Il disco CD-RW può scrivere su dischi CD-R e CD-RW. I dischi CD-RW possono essere cancellati e riutilizzati più volte, mentre i dischi CD-R possono essere scritti soltanto una volta.

CD Creator viene utilizzato per copiare CD, creare nuovi CD di dati e creare nuovi CD che possono essere letti da lettori CD ed unità Cd-RO standard.

DirectCD viene utilizzato per creare archivi di file e CD di dati che possono essere modificati diverse volte. Inoltre, esso fornisce l'accesso facile alla lettera dell'unità in uso. Quando viene utilizzato con strumenti CD-RW, l'utilizzo del software DirectCD è molto simile all'utilizzo di un minidisco per la memorizzazione dei file. Se il software DirectCD viene utilizzato con strumenti CD-R, è possibile scrivere e riscrivere fino a quando il CD è pieno e, quindi, i dati diventano effettivi. I strumenti creati con DirectCD possono essere letti soltanto da unità CD-ROM e DVD-ROM nuove, che supportano la modalità multi-lettura. Alcuni sistemi operativi richiedono un lettore UDF, capace di leggere dischi creati con il software DirectCD.

**Nota:** I dischi CD-R sono leggibili tramite lettori CD audio. I dischi CD-RW non sono leggibili sulla maggior parte dei lettori CD audio.

**Nota:** La velocità dei strumenti CD-R è in base alla velocità di scrittura. Per la modalità di scrittura 12x, verrà richiesto un supporto 12x. Per

determinare la massima velocità richiesta, contattare la casa produttrice del supporto. La seguente tabella riporta la matrice di compatibilità dei strumenti a bassa ed alta velocità:

Unità	Supporto	Scrittura	Letture
Alta velocità	Bassa velocità	Sì	Sì
Bassa velocità	Alta velocità	No	Sì
Alta velocità	Alta velocità	Sì	Sì
Alta velocità	Bassa velocità	Sì*	Sì

\*Scriverà ad una bassa velocità su strumenti a bassa velocità.

---

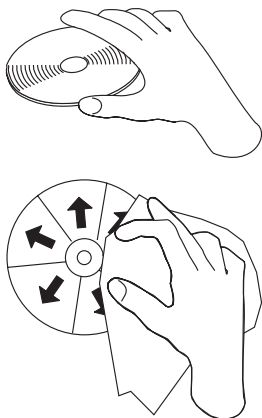
## Utilizzo dell'unità

Questa sezione contiene le informazioni sulla manutenzione dei CD e dell'unità CD-RW, sul caricamento dei CD nell'unità CD-RW e sull'avvio mediante i programmi Easy CD Creator e DirectCD.

### Manutenzione di un CD

I CD sono strumenti a densità elevata che devono essere gestiti con cura e pulizia appropriata in modo da essere leggibili. Queste precauzioni consentono di ottimizzare la durata dei CD.

**Avvertenza:** Muovendo il CD in senso circolare, potrebbe verificarsi la perdita di dati.



- Afferrare il CD per le estremità o per il foro centrale. Non toccare la superficie del CD.

- Per rimuovere la polvere o le impronte, passare un panno morbido e pulito dall'interno verso l'esterno del CD.
- Non scrivere sulla superficie.
- Non collocare il CD alla luce diretta del sole.
- Per pulire il CD, non utilizzare prodotti per la pulizia.
- Non curvare il CD.

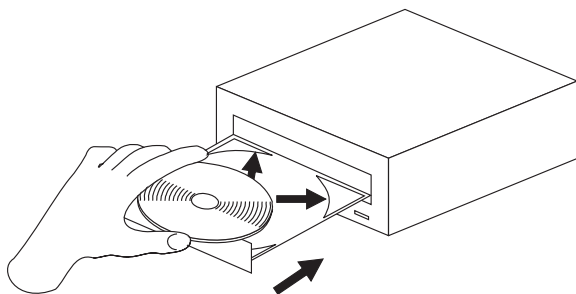
## Manutenzione dell'unità CD-RW

Durante il funzionamento, per proteggere l'unità CD-RW, osservare le seguenti precauzioni:

- Prima di spostare l'unità, rimuovere qualsiasi CD all'interno dell'unità.
- Non inserire oggetti esterni nell'unità.
- Non rimuovere il coperchio dell'unità o tentare di effettuare assistenza sull'unità.
- Non operare con l'unità quando si presenta una delle condizioni riportate di seguito:
  - Temperatura ed umidità elevate o alla luce diretta del sole
  - Vibrazioni, urti improvvisi o superfici inclinate
  - Polvere

## Caricamento di un CD

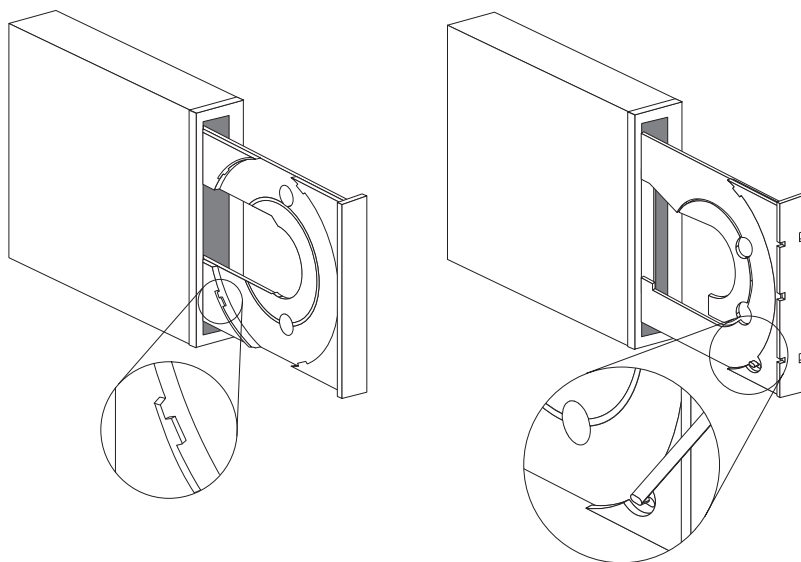
Per caricare un CD in un'unità CD-RW situata orizzontalmente, procedere nel modo seguente:



1. Premere il pulsante **Carica/Espelli**. Il vassoio viene estratto dall'unità.
2. Inserire il CD nel vassoio di caricamento.
3. Chiudere il vassoio di caricamento premendo il pulsante **Carica/Espelli** oppure premendo leggermente il vassoio verso l'interno dell'unità.

**Avvertenza:** Non forzare l'apertura del vassoio; non inserire oggetti esterni nel vassoio del CD. Se il vassoio non si apre quando viene premuto il pulsante **Carica/Espelli**, consultare la sezione "Espulsione manuale di un CD".

Per caricare un CD in un'unità CD-RW situata verticalmente, seguire la procedura riportata di seguito.

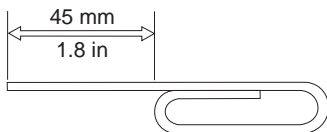


1. Premere il pulsante **Carica/Espelli**.
2. Consultare le illustrazioni e confrontarle con il vassoio di caricamento in uso.
  - Se il vassoio di caricamento è simile all'illustrazione di sinistra, inserire il CD in modo tale che i margini del CD siano allineati alle linguette del vassoio di caricamento. Queste linguette di plastica coprono i margini del CD e consentono un posizionamento corretto. Le linguette sono collegate al vassoio e non possono essere spostate.
  - Se il vassoio di caricamento è simile all'illustrazione di destra, inserire il CD nel vassoio e spingere la linguetta in avanti per posizionare il CD correttamente.
3. Chiudere il vassoio di caricamento premendo il pulsante **Carica/Espelli** oppure premendo leggermente il vassoio verso l'interno dell'unità.

## Espulsione manuale di un CD

Se si preme il pulsante **Carica/Espelli** ed il vassoio non viene estratto, spegnere l'elaboratore. Utilizzare la graffetta come uno strumento; consultare

l'illustrazione. L'estremità di una graffetta deve essere di almeno 45 mm. Inserire l'estremità estesa nel foro di espulsione manuale sulla parte anteriore dell'unità (consultare la sezione "Vista anteriore dell'unità" a pagina 1-4). Spingere la graffetta nel foro fino all'apertura del vassoio. Estrarre il vassoio fino alla rimozione del CD.



## Utilizzo dei programmi Easy CD Creator e DirectCD

Per utilizzare il software Easy CD Creator e DirectCD, inserire un CD-RW o un CD-R registrato parzialmente o vuoto nell'unità CD-RW. La finestra del menu Easy CD Creator viene visualizzata automaticamente.

Per avviare il software DirectCD, procedere nel modo seguente:

1. Fare clic su **Avvio/Start --> Programmi --> Adaptec DirectCD**.
2. Fare clic su **DirectCD Wizard**.

## Formattazione di CD

E' necessario formattare un Cd-RW vuoto utilizzando DirectCD prima di poter trascinare e rilasciare i file sul disco.

Per formattare un CD-RW <sup>5</sup> con il programma DirectCD:

1. Inserire un disco vuoto. Viene visualizzata la finestra di benvenuto all'installazione guidata di DirectCD.
2. Fare clic su **Avanti** due volte. Viene visualizzata la finestra di formattazione disco.

**Avvertenza:** La formattazione viene completata in 30 minuti per i dischi standard e circa 15 minuti per gli strumenti ad elevata velocità. Il programma DirectCD configura il disco per ricevere dati, verifica l'integrità della superficie del disco e scrive le strutture di file system di DirectCD sul disco. E' possibile effettuare ulteriori attività durante la formattazione del disco.

3. Per continuare, fare clic su **Avanti**. Viene visualizzata la finestra relativa al nome del disco.
4. Immettere il titolo del disco nella finestra relativa al nome del disco. Il nome del disco può essere composto sino ad una lunghezza massima di 11 caratteri.

---

5. Alcuni CD, quali CD multi-sessione, non richiedono la formattazione. Per ulteriori informazioni, consultare la guida in linea per l'utente relativa al software Adaptec.

5. Se si desidera utilizzare un software di compressione dati con questo disco, fare clic sulla casella di spunta posta accanto al messaggio **Abilita compressione** su questo disco.
6. Per avviare la formattazione del disco, fare clic su **Fine**. Una volta completata la formattazione del disco, viene visualizzata la finestra **Disc Ready**.
7. Nella finestra **Disc Ready**, fare clic su **OK**.

Pertanto, è possibile scrivere le informazioni sul disco.

**Nota:** Se si verificano problemi durante la formattazione del disco CD-RW, consultare la sezione "Impossibile formattare un disco CD-RW" a pagina B-2.

Se si desidera leggere un disco formattato da DirectCD in un altro elaboratore che dispone di un'unità multi-lettura, è necessario installare del programma relativo al lettore UDF sull'altro elaboratore. Il lettore UDF viene installato insieme a CD Creator oppure è situato sul CD Adaptec, definito UDFRINST.EXE.

## **Creazione dei CD di dati o creazione della copia di riserva dei file dati**

Per creare i CD di dati, procedere nel modo seguente:

1. Fare clic su **Avvio/Start -->Programmi -->Adaptec Easy CD Creator 4 -->Funzioni-->Easy CD Creator**.
2. La finestra visualizzata è simile a Windows Explorer. Nella parte superiore della sezione, selezionare i file o le directory da aggiungere sul CD.
3. Nella parte superiore della finestra, fare clic sul pulsante **Aggiungi** per aggiungere i file sul CD.
4. Per informazioni relative alle funzioni avanzate come la creazione di CD multi-sessione o la creazione di CD utilizzando il menu **File** piuttosto che la procedura guidata di Easy CD Creator, consultare la guida in linea per l'utente relativa al software Adaptec.

## **Creazione di CD audio**

Per creare CD audio:

1. Fare clic su **Avvio/Start --> Programmi --> Adaptec Easy CD Creator 4 --> Crea CD**.
2. Quando viene visualizzata la finestra Easy CD Creator, fare clic su **Audio**.
3. Fare clic su **CD audio**.
4. La finestra visualizzata è simile a Windows Explorer. Nella parte superiore della sezione, selezionare i file audio o tracce audio da aggiungere sul CD.
5. Nella parte superiore della finestra, fare clic sul pulsante **Aggiungi** per aggiungere i file sul CD.

6. Selezionare l'opzione di chiusura del CD-R se si desidera utilizzarlo in macchina.

Per informazioni relative alle funzioni avanzate come la creazione di CD multi-sessione o la creazione di CD utilizzando il menu **File** piuttosto che la procedura guidata di Easy CD Creator, consultare la guida in linea per l'utente relativa al software Adaptec.

## Creazione di una custodia

E' possibile utilizzare Easy CD Creator per creare una custodia o un'etichetta CD. Quando viene creato un CD audio o dati, il programma Easy CD Creator crea una custodia utilizzando le informazioni nella presentazione del CD, quale un titolo di CD, nome dell'artista e u elenco di canzoni.

Per stampare una custodia o un'etichetta CD:

1. Fare clic su **Avvio/Start --> Programmi --> Adaptec Easy CD Creator 4 --> Crea CD**.
2. Fare clic su **Jewel Case Creator**.
3. A sinistra, selezionare il coperchio anteriore, il coperchio anteriore interno, coperchio posteriore o un'etichetta CD.
4. Apportate le modifiche nella finestra principale di modifica. E' possibile modificare il tema di sfondo facendo clic sul menu **Formatta** e selezionando **Modifica temi**.
5. Una volta apportate le modifiche, fare clic sul menu **File** menu, e selezionare **Stampa**, quindi fare clic su **OK**.
6. Per ulteriori informazioni sulla modifica delle informazioni nella finestra di presentazione della custodia, consultare la guida in linea per l'utente relativa al software Adaptec.

## Creazione di una copia di riserva di un CD

**Avvertenza:** Il programma di copia CD copia i file da un CD all'altro. Per copiare un CD commerciale, è necessario ottenere il copyright o l'autorizzazione dal proprietario del copyright. Se non si dispone del copyright oppure non si dispone dell'autorizzazione della copia dal proprietario del copyright, è possibile che venga violata la legge del copyright e si è soggetti ad un pagamento per danni. Per ulteriori informazioni sulla legge del copyright, consultare un consulente legale.

Per creare la copia di riserva (copia) di un CD utilizzando l'unità CD-RW:

1. Fare clic su **Avvio/Start -->Programmi -->Adaptec Easy CD Creator 4 -->Funzioni -->Copiatore CD**. Viene visualizzata la finestra del programma di copia CD.
2. Se la linguetta non è situata in alto, fare clic sul separatore **Origine e destinazione**.

3. Nella sezione Copia da, selezionare l'unità di origine dalla casella di scorrimento.

**Nota:** Questa è l'unità contenente il CD da copiare.

4. Nella sezione Registra su, selezionare l'unità CD-RW dalla casella di scorrimento. Verificare che sia inserito un disco CD-R o CD-RW vuoto nell'unità CD-RW.
5. Sul separatore **Avanzate**, è possibile selezionare per provare il CD per la migliore velocità di registrazione. E' anche possibile modificare il numero di copie create oppure selezionare di disporre del CD copiato sull'unità disco fisso prima di copiarlo sul CD vuoto. Queste selezioni aumenteranno l'intervallo di tempo di copia del CD.
6. Una volta terminata la selezione delle impostazioni, posizionare il CD da copiare nell'unità di origine.
7. Per avviare la copia del CD, fare clic su **Copia**.



---

## Parte 1: Guia de Instalação e do Usuário

Esta parte do manual consiste em introdução, instruções de instalação e instruções sobre a utilização e manutenção desta unidade de CD-RW (CD-ReWritable) 12x8x32.

---

### Introdução

Esta seção descreve este opcional e o software fornecido com ele. Esta seção também contém algumas informações que você precisará antes de instalar o opcional.

### Descrição do Produto

A unidade de CD-RW 12x8x32 da IBM pode gravar e ler discos CD-RW e CD-R (CD-Recordable) e pode ler CDs estampados produzidos em massa. Os CDs criados com esta unidade são compatíveis com unidades de CD-ROM MR (Multi-Read) e de DVD-ROM que podem ler discos CD-RW e outras mídias, e com unidades de CD-ROM não-MR mais antigas que podem ler apenas discos CD-R e CD-ROM.

A unidade pode gravar em um disco CD-R em até 12 vezes a velocidade padrão do CD-ROM, registrando dados em até 1800 KB<sup>1</sup> por segundo. Nessa taxa, a unidade pode registrar aproximadamente 650 MB de informações em um disco CD-R em aproximadamente 6 minutos. A unidade grava em discos CD-RW e CD-R em velocidades diferentes. A unidade pode gravar em um disco CD-RW de alta velocidade em até oito vezes a velocidade padrão do CD-ROM, registrando dados em até 1200 KB por segundo. Nessa taxa, a unidade pode registrar aproximadamente 530 MB<sup>2</sup> de informações em um disco CD-RW em aproximadamente 9 minutos. A unidade também pode ler dados em até 32 vezes a velocidade padrão do CD-ROM, ou 4800 KB por segundo.

**Nota:** Para utilizar a função de gravação do CD, você deve instalar o software Easy CD Creator 4 ou DirectCD (incluído) no Microsoft® Windows® 95, Windows® 98 ou Windows NT® 4.0, Windows® 2000 e Windows® Millennium (Me). Para obter mais informações sobre o software Easy CD Creator 4 e DirectCD, consulte a “Etapa 10. Instalando o Software Easy CD Creator e DirectCD” na página 1-10. A unidade 12x8x32 pode gravar mídia de CD-R e CD-RW padrão de alta velocidade.

- 
1. KB equivale a aproximadamente 1024 bytes quando se refere a velocidades de transferência de dados.
  2. MB equivale a aproximadamente 1 000 000 bytes quando se refere à capacidade de armazenamento.

A unidade de CD-RW pode ser instalada apenas em um computador que utiliza a arquitetura IDE (integrated drive electronics) ou a IDE avançada.

Além deste manual, o conjunto do opcional inclui:

- Unidade de CD-RW
- Dois cabos de áudio
- Quatro parafusos de montagem
- Um cabo IDE
- Dois engates<sup>3</sup> para utilizar com determinados computadores
- Disco do software Adaptec Easy CD Creator e DirectCD
- Guia de Segurança do Laser para CD-ROMs
- Folheto de segurança elétrica

Entre em contato com o fornecedor se algum item estiver faltando ou danificado. Certifique-se de guardar o comprovante de compra. Ele pode ser necessário para a solicitação do serviço de garantia. Consulte o Apêndice D para obter informações sobre garantia.

## Descrição do Software

O disco de Adaptec Easy CD Creator e DirectCD contém programas que funcionam com o Windows 95, Windows 98, Windows Me, Windows 2000 e Windows NT Workstation 4.0. Você pode utilizar os programas com sua unidade de CD-RW para criar CDs de áudio e dados, copiar CDs e fazer suplementos de caixa ou etiquetas de CD. Este manual fornecerá instruções básicas sobre a utilização do software, de forma que você possa começar a criar CDs. Informações adicionais sobre o software e como utilizá-lo podem ser encontradas no guia online do usuário fornecido no disco do software.

---

## Antes de Começar

Leia as seguintes informações antes de começar a instalação. Você deve concluir as seguintes etapas para instalar a unidade:

1. Determine qual porta IDE utilizar e a definição de configuração correspondente.
2. Posicione o jumper de configuração na unidade ou altere-o (e possivelmente faça alterações nos jumpers de configuração de outros dispositivos).
3. Instale a unidade em um compartimento de unidade.
4. Configure o sistema.
5. Instale um driver de dispositivo.

---

3. Se você adquiriu o conjunto de opcional preto, você receberá um engate preto.

Se não entender esses procedimentos ou não tiver certeza sobre sua habilidade em executar todos os procedimentos descritos, peça a um técnico de computador qualificado que instale a unidade de CD-RW para você.

## Requisitos do Sistema

Antes de começar a instalar a unidade, assegure-se de que o computador atenda aos seguintes requisitos do sistema.

- Microprocessador mínimo: processador Intel® Pentium® (ou equivalente)
- Mínimo de RAM: 32 MB<sup>4</sup>
- Conexão IDE disponível
- Conexão de alimentação interna disponível
- Compartimento de unidade de 5,25 pol. disponível
- Um dos seguintes sistemas operacionais:
  - Microsoft Windows NT Workstation 4.0
  - Microsoft Windows 95, Windows 98 ou Windows Me
  - Microsoft Windows 2000

Você pode precisar de uma chave de fenda Phillips ou de uma chave de cabeça chata para concluir a instalação. Você também pode precisar consultar a documentação fornecida com o computador. Certifique-se de ter essa documentação disponível.

## Instruções de Manuseio

Para proteger a unidade de CD-RW durante a instalação, observe as seguintes precauções:

- Manuseie a unidade com cuidado. Soltar ou balançar a unidade poderá fazer com que os componentes dentro do invólucro da unidade sejam danificados.
- Mantenha a unidade de CD-RW em sua bolsa antiestática até o momento de instalação da unidade no computador. Limite seus movimentos. Eles podem causar acúmulo de eletricidade estática.
- Não force a inserção do cabo de alimentação. Isso pode danificar o conector ou a unidade.

---

## Exibições do Produto

As seções a seguir ilustram as exibições frontal e posterior da unidade de CD-RW.

---

4. Quando se trata de capacidade de armazenamento de memória, MB significa aproximadamente 1000 000 bytes; a capacidade total acessível ao usuário pode variar, dependendo do ambiente operacional.

## Vista Frontal da Unidade

Consulte as seguintes ilustrações para identificar as peças que podem ser mencionadas nas instruções de instalação.



**1 Bandeja de CD.** Utilize esta bandeja para carregar e descarregar um CD.

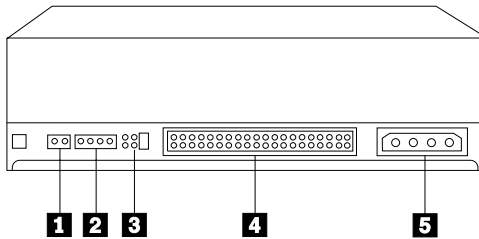
**2 Indicador de ocupado.** Esse indicador acende quando a unidade lê, grava ou reproduz um CD.

**3 Orifício de ejeção manual.** Esse orifício fornece acesso ao mecanismo de ejeção para remover um CD da unidade quando os procedimentos normais não funcionam.

**4 Botão Ejetar/Carregar.** Quando pressionado, esse botão abre ou fecha a bandeja de CD.

## Vista Posterior da Unidade

Consulte as seguintes ilustrações para identificar as peças que podem ser mencionadas nas instruções de instalação.



**1 Reservado.**

**2 Conector de saída de áudio.** Utilize esse conector para conectar a unidade de CD-RW a uma placa de som.

**3 Pinos de configuração.** Esses pinos são utilizados para definir a configuração da unidade.

**4 Conector IDE.** Utilize esse conector para conectar a unidade de CD-RW ao cabo IDE.

**5 Conector de energia CC.** Utilize esse conector para conectar a unidade de CD-RW ao cabo da fonte de alimentação do computador.

---

## Instalando a Unidade

Para instalar a unidade no computador, utilize as seguintes etapas.

### Etapa 1. Abrindo o Computador

Para abrir o computador, proceda da seguinte maneira:

1. Desligue o computador e todos os dispositivos conectados.
2. Desconecte os cabos de alimentação do computador e de todos os dispositivos conectados.
3. Remova a tampa do computador.

### Etapa 2. Desembalando a Unidade

Para desembalar a unidade, proceda da seguinte maneira:

1. Para descarregar eletricidade estática acumulada, toque em uma superfície de metal não pintada por pelo menos dois segundos. Pegue a bolsa em que a unidade está embalada e encoste-a em uma superfície de metal não pintada por pelo menos dois segundos.
2. Retire a unidade da bolsa.

Se você precisar retirar a unidade, ponha a bolsa antiestática sobre uma superfície plana e revestida, como uma revista, e coloque a unidade sobre a bolsa com o componente voltado para cima.

### Etapa 3. Selecionando uma Porta IDE

Os computadores mais novos geralmente possuem duas portas IDE. Se o computador possui duas portas IDE, utilize a porta IDE secundária para conectar a unidade de CD-RW. Geralmente, a porta IDE secundária fica próxima à porta IDE primária que está conectada à unidade de disco rígido. A porta IDE e a posição do cabo selecionadas determinarão qual posicionamento do jumper de configuração você utilizará para a unidade. Consulte a “Etapa 4. Definindo o Jumper de Configuração” na página 1-7 para obter instruções sobre o posicionamento do jumper de configuração.

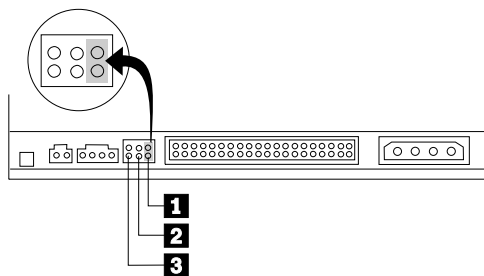
- Se houver duas portas IDE, conecte a unidade de CD-RW à porta IDE secundária com o cabo IDE fornecido com a unidade. Se a unidade de CD-RW for o único dispositivo na porta IDE secundária, você utilizará a definição de configuração mestre. Se houver outro dispositivo na porta secundária além da unidade de CD-RW, você utilizará a definição de configuração escravo.
- Se você precisar conectar a unidade de CD-RW à mesma porta IDE como um dispositivo mais rápido, como uma unidade de disco rígido, utilize a definição escravo para a unidade de CD-RW e a definição mestre para o dispositivo mais rápido. Em alguns casos, a unidade de disco rígido pode requerer uma definição de “mestre com a presença de um escravo” quando outro dispositivo no mesmo cabo estiver configurado como um escravo. Para

obter mais informações sobre o posicionamento dos jumpers de configuração em outros dispositivos, consulte a documentação que acompanha o computador ou o dispositivo em questão.

- Alguns computadores não-IBM suportam a definição de seleção de cabo, em que a posição do dispositivo no cabo determina se um dispositivo é mestre ou escravo. Consulte a documentação fornecida com o computador para determinar se o sistema suporta esta definição.

## Etapa 4. Definindo o Jumper de Configuração

A ilustração a seguir mostra a definição mestre **1**, a definição escravo **2** e a definição de seleção de cabo **3**. Configure a unidade de CD-RW colocando um jumper sobre um par de pinos correspondentes à definição que você escolheu na Etapa 3.



- Se estiver configurando a unidade como mestre, defina o jumper para a definição de dispositivo mestre **1**. (Essa é a forma como a unidade é definida quando enviada.) Se houver um segundo dispositivo na porta IDE, verifique se o dispositivo está configurado como escravo.
- Se você estiver configurando a unidade como escravo, defina o jumper para a definição de dispositivo escravo **2**. Verifique se o outro dispositivo na porta IDE está configurado como mestre (ou mestre com a presença de escravo).
- Se você estiver configurando a unidade como seleção de cabo, defina o jumper para a definição de dispositivo de seleção de cabo **3**. Se houver outro dispositivo na porta IDE, verifique se o dispositivo também está configurado para seleção de cabo.

## Etapa 5. Montando a Unidade no Compartimento

**Atenção:** Certifique-se de utilizar os parafusos de montagem do pacote de opcional quando estiver colocando os parafusos diretamente na unidade. O uso de parafusos muito grandes poderá danificar a unidade.

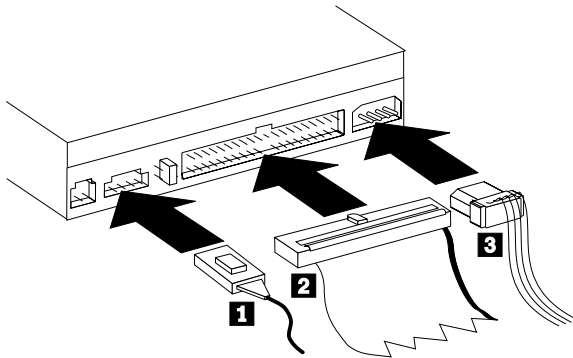
Você pode montar a unidade de CD-RW no computador tanto na horizontal como na vertical. Se você montá-la na posição vertical, deverá prender os CDs que forem colocados na unidade antes de fechar a bandeja da unidade, ou a

unidade de CD-RW não poderá ler o CD adequadamente. Para obter mais instruções sobre como prender os CDs na unidade montada verticalmente, consulte a seção “Carregando um CD” na página 1-13.

1. Deslize a unidade para dentro do compartimento. O computador poderá ter procedimentos específicos requeridos para instalação de dispositivos de armazenamento. Consulte a documentação que acompanha o computador para obter instruções adicionais.
2. Alinhe os orifícios de parafusos do compartimento de unidade com os orifícios alinhados no invólucro da unidade ou no suporte de montagem. Certifique-se de utilizar os parafusos de montagem fornecidos com esta unidade. A utilização de parafusos de tamanhos errados pode danificar a unidade. Coloque os parafusos, deixando-os soltos para verificar suas posições. Normalmente, são utilizados dois parafusos de cada lado.
3. Certifique-se de que o alinhamento esteja correto e, em seguida, aperte os parafusos para prender a unidade. Não os aperte em excesso.

## Etapa 6. Conectando os Cabos à Unidade

Conecte os cabos à unidade de CD-RW da seguinte maneira:



1. Se você deseja conectar uma unidade de CD-RW à sua placa de som ou à função de som na placa de sistema, localize os cabos de áudio incluídos e determine qual cabo se encaixa melhor na porta de entrada de CD em sua placa de som. Conecte uma extremidade do cabo de áudio selecionado ao conector de saída de áudio da unidade de CD-RW **1**, e a outra extremidade do cabo na porta de entrada de áudio de CD da placa de som. Guarde o outro cabo, caso utilize uma placa de som diferente no futuro.
2. Conecte um conector de cabo IDE de 40 pinos **2** ao conector IDE na unidade. Alinhe o cabo de maneira que a borda codificada por cor fique mais próxima ao conector do cabo de alimentação **3**. Utilize o cabo IDE fornecido com este opcional, se não houver nenhum cabo conectado à porta IDE ou se houver apenas um conector de dispositivo no cabo IDE. Se você



utilizar o cabo IDE incluído, conecte uma extremidade do cabo à porta IDE da placa de sistema ou à placa IDE, e a outra extremidade do cabo à unidade de CD-RW.

3. Localize um dos cabos de alimentação disponíveis conectados à fonte de alimentação do computador. Conecte um cabo de alimentação de quatro pinos **3** ao conector de energia CC da unidade de CD-RW.

## **Etapa 7. Concluindo a Instalação do Hardware**

Para concluir a instalação do hardware, proceda da seguinte maneira:

1. Assegure-se de que a unidade esteja montada firmemente e de que os conectores também estejam conectados firmemente.
2. Assegure-se de que os cabos não interfiram na tampa do computador nem bloqueiem as lâminas do ventilador da fonte de alimentação ou as passagens de fluxo de ar.
3. Instale novamente a tampa do computador.
4. Reconecte todos os dispositivos e verifique todos aqueles que possam ter ficado desconectados, como teclado, mouse e monitor.
5. Conecte todos os cabos de alimentação às tomadas elétricas.

## **Etapa 8. Conectando os Engates**

Este pacote de opcional inclui dois engates que estão em conformidade com o design arredondado de alguns computadores. Se o computador tem um design arredondado, você pode conectar um dos engates incluídos de forma que a parte frontal da unidade de CD-ROM combine com o gabinete externo. Escolha o engate que melhor se ajusta ao computador, então conecte-o depois de montar a unidade de CD-RW no compartimento apropriado.

**Nota:** Dependendo do design exterior do computador, você precisa conectar o engate antes de recolocar a tampa do computador.

## **Etapa 9. Atualizando a Configuração do Computador**

Depois de ter concluído a instalação do hardware, reinicie o computador. Normalmente, a tela de informações de configuração e instalação é exibida quando você liga o computador. Se isso não ocorrer, verifique a documentação do computador para obter informações sobre como acessar o programa utilitário de configuração ou instalação.

Para ver as informações de configuração na maioria dos computadores IBM, pressione F1 durante a inicialização, quando o gráfico da IBM aparece no canto superior direito da tela. Quando terminar de ler as informações, salve as alterações e saia.

## **Etapa 10. Instalando o Software Easy CD Creator e DirectCD**

Para instalar o software Easy CD Creator e DirectCD, proceda da seguinte maneira:

**Nota:** Certifique-se de ler o arquivo README no CD Adaptec Easy CD Creator e DirectCD para obter as últimas informações sobre o software Easy CD Creator e DirectCD.

O Easy CD Creator e DirectCD contém os seguintes programas:

- Easy CD Creator
- DirectCD

Para utilizar completamente as capacidades de sua unidade de CD-RW, você precisa instalar os dois programas, o Easy CD Creator e o DirectCD. Se você também possui uma unidade de CD-ROM MR ou DVD-ROM no computador, talvez você precise instalar um programa UDF Reader para ler determinados discos CD-R ou CD-RW nessas unidades.

Para instalar o software Easy CD Creator e DirectCD no Windows 98, Windows 95, Windows Me, Windows 2000 ou Windows NT 4.0, proceda da seguinte maneira:

1. Insira o disco do Easy CD Creator e DirectCD em sua unidade de CD-RW.
2. Se for exibida a janela de Instalação do Adaptec Easy CD Creator, siga as instruções da tela. Se essa janela não for exibida, continue na próxima etapa.
3. Clique em **Iniciar --> Configurações --> Painel de Controle**.
4. Dê um clique duplo em **Adicionar/Remover Programas**.
5. Siga as instruções na tela para concluir a instalação. Repita as etapas necessárias para instalar cada um dos componentes do Easy CD Creator e DirectCD.
6. Se o pacote de opcional inclui um disquete de atualização do software Adaptec, insira-o quando solicitado.
7. Reinicie o sistema operacional.

### **Instalando o Software UDF Reader no Windows 95, Windows 98, Windows Me, Windows 2000 e Windows NT 4.0**

O software do UDF Reader é fornecido para leitura de discos gravados com DirectCD em PCs que não possuem o DirectCD instalado. Quando você instala o DirectCD no sistema, uma cópia do instalador do UDF Reader também é inserida no sistema. Você pode instalar o UDF Reader em outros PCs para ler os CDs criados por você mesmo. A localização do instalador do UDF Reader varia, dependendo do sistema operacional e da seleção de idioma.

Para instalar o UDF Reader, proceda da seguinte maneira:

1. Selecione **Iniciar-->Procurar-->Arquivos** ou **Iniciar-->Procurar-->Pastas**.
2. Pesquise na unidade de disco rígido do computador o arquivo UDFRINST.EXE.
3. Copie o arquivo UDFRINST.EXE a partir da lista de arquivos encontrados para um disquete.
4. Leve o disquete para o computador em que deseja ler seus discos de DirectCD.
5. No novo sistema, clique em **Meu Computador**, clique no ícone de disquete e então clique no ícone UDFRINST.EXE.
6. Siga as instruções na tela para concluir a instalação do software.
7. Reinicie o PC.

**Nota:** O UDF Reader não é requerido em computadores que possuem o DirectCD instalado. Ele é fornecido para ser utilizado em computadores que compartilham mídia com o computador que grava com o DirectCD.

---

## Utilizando Discos CD-R e CD-RW

O CD-RW pode gravar tanto em discos CD-R como CD-RW. Os discos CD-RW podem ser apagados e reutilizados muitas vezes, enquanto que os discos CD-R podem ser gravados apenas uma vez.

O CD Creator é utilizado para copiar CDs, criar novos CDs de dados e produzir novos CDs de áudio que podem ser lidos por unidades de CD-RO padrão e CD players.

O DirectCD é utilizado para criar archives de arquivo e CDs de dados que podem ser alterados muitas vezes. Ele também fornece a conveniência de acessar diretamente a letra da unidade. Quando utilizado com mídia de CD-RW, o DirectCD é muito similar à utilização de disquetes para armazenar arquivos. Se o DirectCD for utilizado com mídia de CD-R, você poderá gravar e regravar até que o CD fique totalmente cheio, e então os dados se tornam fixos. A mídia criada pelo DirectCD só pode ser lida com unidades de CD-ROM mais novas e unidade de DVD-ROM que suportam o modo de leitura múltipla. Alguns sistemas operacionais requerem um UDF Reader para poderem ler os discos criados por DirectCD.

**Nota:** Os discos CD-R são reproduzíveis em CD players de áudio. Os discos CD-RW não são reproduzíveis na maioria dos CD players de áudio.

**Nota:** A mídia de CD-R é taxada pela velocidade de gravação. Para o modo de gravação de 12x, a mídia de 12x será requerida. Entre em contato com o fabricante de sua mídia para determinar a velocidade máxima requerida. A tabela a seguir mostra a matriz de compatibilidade para mídia de alta e de baixa velocidade:

Unidade	Mídia	Gravação	Leitura
Baixa velocidade	Baixa velocidade	Sim	Sim
Baixa velocidade	Alta velocidade	Não	Sim
Alta velocidade	Alta velocidade	Sim	Sim
Alta velocidade	Baixa velocidade	Sim*	Sim

\*Gravar em baixa velocidade na mídia de baixa velocidade.

---

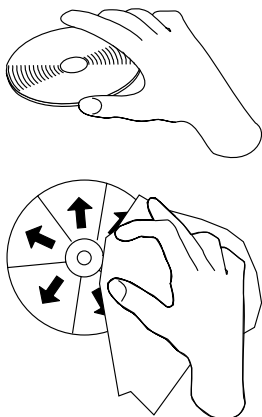
## Utilizando a Unidade

Esta seção fornecerá informações sobre como manusear e cuidar dos CDs e de sua unidade de CD-RW, como carregar os CDs em sua unidade de CD-RW e como começar a utilizar os programas Easy CD Creator e DirectCD.

### Manuseando e Cuidando de um CD

Os CDs são mídias de alta densidade que devem ser manuseadas com cuidado e mantidas limpas para assegurar que permaneçam legíveis. As seguintes precauções ajudam a prolongar a vida útil dos CDs.

**Atenção:** Limpar um CD com um movimento circular pode causar perda de dados.



- Segure o CD nas bordas ou no orifício central. Não toque na superfície do CD.
- Para remover poeira ou digitais, limpe o CD do centro para a borda com um pano macio e sem fiapos.
- Não escreva na superfície.
- Não exponha o CD à luz direta do sol.

- Não utilize produtos de limpeza comerciais para limpar o CD.
- Não entorte o CD.

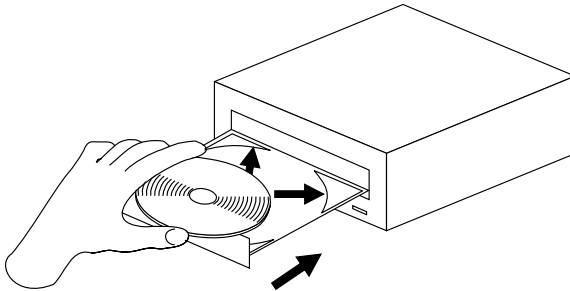
## Cuidando da Unidade de CD-RW

Para proteger a unidade durante a operação, observe as seguintes precauções:

- Remova qualquer CD da unidade antes de mover a unidade.
- Não insira objetos estranhos na unidade.
- Não remova a tampa da unidade ou tente fazer reparos nela.
- Não opere a unidade sob quaisquer uma das seguintes condições:
  - Temperatura alta, umidade alta ou luz direta do sol
  - Vibração excessiva, choque repentino ou superfície inclinada
  - Poeira excessiva

## Carregando um CD

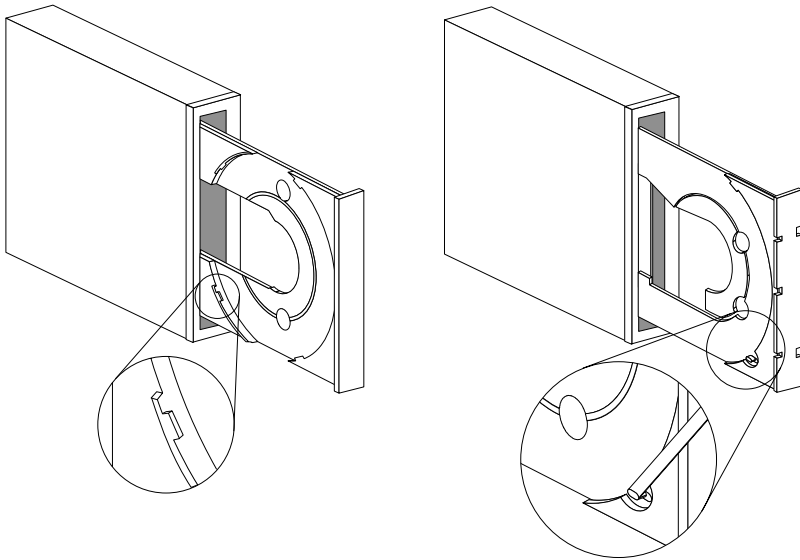
Para carregar um CD em uma unidade de CD-RW montada horizontalmente, proceda da seguinte maneira:



1. Pressione o botão **Ejetar/Carregar**. A bandeja desliza para fora da unidade.
2. Insira o CD na bandeja de carregamento.
3. Feche a bandeja de carregamento pressionando o botão **Ejetar/Carregar**, ou empurrando cuidadosamente a bandeja para dentro.

**Atenção:** Não force a bandeja a abrir; não insira objetos estranhos na bandeja de CD. Se a bandeja não abrir quando você pressionar o botão **Ejetar/Carregar**, consulte a seção “Ejetando um CD Manualmente” na página 1-14.

Para carregar um CD em uma unidade de CD-RW montada verticalmente, siga essas etapas.

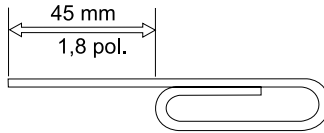


1. Pressione o botão **Ejetar/Carregar**.
2. Veja as ilustrações e compare-as com a sua bandeja de carregamento.
  - Se ela for parecida com a ilustração esquerda, insira o CD cuidadosamente de forma que suas bordas fiquem sob as presilhas na bandeja de carregamento. Essas presilhas de plástico cobrem as bordas do CD e o mantêm no local. Elas estão conectadas à própria bandeja e não podem ser movidas.
  - Se ela for parecida com a ilustração direita, insira o CD na bandeja e empurre cuidadosamente a presilha móvel para frente a fim de manter o CD no local.
3. Feche a bandeja de carregamento pressionando o botão **Ejetar/Carregar**, ou empurrando cuidadosamente a bandeja para dentro.

## Ejetando um CD Manualmente

Se você pressionar o botão **Ejetar/Carregar** e a bandeja não deslizar para fora, desligue o computador. Endireite um clipe de papel grande para formar uma ferramenta, conforme mostrado na ilustração. A extremidade do clipe aberto deve estender-se a pelo menos 45 mm (1,8 pol). Insira a extremidade estendida no orifício de ejeção manual na parte frontal da unidade (consulte “Vista Frontal da Unidade” na página 1-4 ). Empurre o clipe de papel no orifício até que a bandeja seja aberta. Puxe cuidadosamente a bandeja para fora até que o

CD possa ser removido.



## Utilizando os Programas Easy CD Creator e DirectCD

Para utilizar o software Easy CD Creator e DirectCD, insira um disco CD-R ou CD-RW em branco ou parcialmente gravado na unidade de CD-RW. A janela de menus do Easy CD Creator será exibida automaticamente.

Para abrir o DirectCD, proceda da seguinte maneira:

1. Clique em **Iniciar --> Programas --> Adaptec DirectCD**.
2. Clique em **DirectCD Wizard**.

## Formatando CDs

Você deve formatar um disco CD-RW em branco utilizando o DirectCD antes de arrastar e soltar arquivos para o disco.

Para formatar um disco CD-RW <sup>5</sup> com o programa DirectCD:

1. Insira um disco em branco. A janela DirectCD Wizard Welcome será exibida.
2. Clique em **Next** duas vezes. A janela Format Disc é exibida.

**Atenção:** A formatação é concluída em aproximadamente 30 minutos para mídia padrão e em 15 minutos para mídia de alta velocidade. O programa DirectCD configura o disco para receber dados, verifica a integridade da superfície do disco e grava as estruturas de arquivo do DirectCD no disco. Você pode executar outras tarefas no computador enquanto o disco está sendo formatado.

3. Clique em **Next** para continuar. A janela Name Your Disc é aberta.
4. Digite o título de seu disco na janela Name Your Disc. O nome do disco pode ter até 11 caracteres.
5. Se você pretende utilizar o software de compactação de dados com esse disco, clique na caixa de opções próxima à mensagem **Enable compression on this disc**.
6. Clique em **Finish** para iniciar a formatação do disco. Quando o disco tiver concluído a formatação, a janela do Disc Ready será aberta.
7. Clique em **OK** na janela Disc Ready.

---

5. Alguns CDs, como os CDs multissessão, não precisam de formatação. Para obter mais informações, consulte o guia online do usuário do software Adaptec.

Agora você pode gravar as informações no disco.

**Nota:** Se você tiver um problema durante a formatação de um disco CD-RW, consulte a seção “Não é Possível Formatar um Disco CD-RW.” na página B-2.

Se você deseja ler um disco formatado com o DirectCD em outro computador que possui unidade de leitura múltipla, precisará instalar o programa UDF Reader no outro computador. O UDF Reader é instalado juntamente com o CD Creator, ou está no CD do Adaptec, denominado UDFRINST.EXE.

## **Criando CDs de Dados ou Fazendo Backup de Arquivos de Dados**

Para criar CDs de dados, proceda da seguinte maneira:

1. Clique em **Iniciar -->Programas -->Adaptec Easy CD Creator 4 -->Features-->Easy CD Creator.**
2. A janela que será aberta é semelhante à janela do Windows Explorer. Na seção superior, clique para selecionar os arquivos ou diretórios que deseja adicionar no CD.
3. Clique no botão **Add** na parte superior da janela para adicionar os arquivos em seu CD.
4. Para obter informações sobre os recursos avançados, como fazer um CD multissessão ou criar um CD utilizando o menu **File** no lugar do Easy CD Creator Wizard, consulte o guia online do usuário do software Adaptec.

## **Criando CDs de Áudio**

Para criar CDs de áudio:

1. Clique em **Iniciar --> Programas --> Adaptec Easy CD Creator 4 --> Create CD.**
2. Quando a janela do Easy CD Creator for exibida, clique em **Áudio.**
3. Clique em **Áudio CD .**
4. A janela que será aberta é semelhante à janela do Windows Explorer. Na seção superior, clique para selecionar os arquivos de áudio ou as trilhas de áudio que deseja adicionar no CD.
5. Clique no botão **Add** na parte superior da janela para adicionar os arquivos em seu CD.
6. Escolha a opção disco CD-R fechado se pretende utilizá-lo em CD players de seu carro ou de casa.

Para obter informações sobre os recursos avançados, como fazer um CD multissessão ou criar um CD utilizando o menu **File** no lugar do Easy CD Creator Wizard, consulte o guia online do usuário do software Adaptec.



## Fazendo um Suplemento de Caixa

Você pode utilizar o Easy CD Creator para criar um suplemento de caixa ou uma etiqueta de CD. Quando você cria um CD de dados ou de áudio, o programa Easy CD Creator cria um suplemento de caixa utilizando as informações no layout de seu CD, como um título do CD, nome artista e lista de músicas.

Para imprimir um suplemento de caixa ou uma etiqueta de CD:

1. Clique em **Iniciar --> Programas --> Adaptec Easy CD Creator 4 --> Create CD**.
2. Clique em **Jewel Case Creator**.
3. À esquerda, clique para selecionar a capa frontal, o interior da capa frontal, a capa posterior ou a etiqueta do CD.
4. Faça as alterações na janela de edição principal. Você pode alterar o tema de background clicando no menu **Format** e selecionando **Change Themes**.
5. Quando você concluir as alterações, clique no menu **File** e, em seguida, selecione **Print** e clique em **OK**.
6. Para obter mais informações sobre como alterar as informações na janela Jewel Case Layout, consulte o guia online do usuário do software Adaptec.

## Fazendo Backup de um CD

**Atenção:** O programa CD Copier copia arquivos de um CD para outro CD. Para copiar um CD comercial, você precisa ter direitos autorais ou obter uma permissão do proprietário dos direitos autorais. Se você não possui os direitos autorais ou não possui a permissão do proprietário dos direitos autorais para realizar a cópia, estará violando as leis de direitos autorais e estará sujeito ao pagamento de danos e outros recursos. Para obter mais informações sobre a lei de direito autoral, consulte um consultor legal.

Para fazer o backup (cópia) de um CD utilizando sua unidade de CD-RW:

1. Clique em **Iniciar -->Programas -->Adaptec Easy CD Creator 4 -->Features-->CD Copier**. A janela do CD Copier é exibida.
2. Clique na guia **Source and Destination** se não estiverem na parte superior.
3. Na seção Copy From, selecione a unidade de origem na caixa de rolagem.

**Nota:** Essa é a unidade que contém o CD que você deseja copiar.

4. Na seção Record To, selecione a unidade de CD-RW da caixa de rolagem. Certifique-se de que haja um disco CD-R ou CD-RW em branco na unidade de CD-RW.
5. Na guia **Advanced**, você pode escolher testar o CD para obter a melhor velocidade de gravação. Você também pode alterar o número de cópias feitas ou escolher que o CD seja copiado para sua unidade de disco rígido antes de copiá-lo para o CD em branco. Essas seleções aumentarão o tempo da execução de cópia do CD.

6. Quando você tiver concluído a escolha das definições, coloque o CD em que você irá gravar na unidade de origem.
7. Clique em **Copy** para iniciar a cópia para seu CD.

---

## 第 1 部份：安裝及使用手冊

在手冊中這一部份由簡介、安裝指示、以及使用與維護這台 12x8x32 CD-ReWritable (CD-RW) 光碟機的指示所組成。

---

### 簡介

本節描述本選用設備及其附隨的軟體。本節還含有安裝本選用設備時所需的一些資訊。

### 產品說明

IBM 12x8x32 CD-RW 光碟機可以讀/寫 CD-RW 與 CD-Recordable (CD-R) 光碟，也能讀取大量處理大量壓製的光碟。使用本光碟機建立的光碟和多重讀取 (Multi-Read, MR) CD-ROM 與 DVD 光碟機 (可讀取 CD-RW 光碟與其它媒體)，以及較舊的非 MR CD-ROM 光碟機 (只可讀取 CD-R 與 CD-ROM 光碟) 的光碟機相容。

此光碟機寫入 CD-R 光碟的速度可達一般標準光碟機速度的 12 倍，記錄資料的速度可達每秒 1800 KB<sup>1</sup>。在這種速率下，光碟機記錄大約 650 MB 的資料到 CD-R 光碟約需 6 分鐘。光碟機以不同的速度寫入 CD-RW 與 CD-R 光碟。此光碟機寫入高速 CD-RW 光碟的速度可達一般標準光碟機速度的 8 倍，記錄資料的速度可達每秒 1200 KB。在這種速率下，光碟機大約可記錄 530 MB<sup>2</sup> 的資訊到 CD-RW 光碟機約需 9 分鐘。此光碟機還可以高於標準光碟機速度的 32 倍或以每秒 4800 KB 的速度讀取資料。

**註：**要使用光碟記錄功能，您必須在 Microsoft® Windows® 95、Windows® 98 或 Windows NT® 4.0、Windows® 2000、及 Windows® Millennium (Me) 安裝 Easy CD Creator 4 或 DirectCD 軟體 (內含)。有關 Easy CD Creator 4 與 DirectCD 軟體的相關資訊，請參閱第1-88頁的『步驟 10. 安裝 Easy CD Creator 與 DirectCD 軟體』。此台 12x8x32 光碟機可寫入高速與標準 CD-R 與 CD-RW 媒體。

CD-RW 光碟機只可安裝在使用 Integrated Drive Electronics (IDE) 或 Enhanced IDE Architecture 的電腦上。

除了本手冊之外，本選用設備套件還包括下列物件：

- CD-RW 光碟機
- 二條音訊線
- 四個裝載螺絲

---

1. KB 指資料傳輸速度，約等於 1024 位元組。

2. MB 指儲存容量，約等於 1 000 000 位元組。

- 一條 IDE 接線
- 二個面板<sup>3</sup>，用於某些電腦。
- Adaptec Easy CD Creator 與 DirectCD 軟體光碟
- 光碟機的雷射安全手冊
- 電子安全小冊子

物品若有遺漏或損壞，請和原經銷商連絡。請務必保留您的購買證明。當您要求售後服務時，有可能會請您提供相關的購買證明文件。請參閱附錄 D 來取得保證資訊。

## 軟體說明

Adaptec Easy CD Creator 與 DirectCD 光碟含有和 Windows 95、Windows 98、Windows Me、Windows 2000 與 Windows NT Workstation 4.0 配合使用的程式。您可以在將本程式用於 CD-RW 光碟機，來建立音訊及資料光碟、複製光碟以及製作光碟封面或光碟標籤。本手冊會提供如何使用該軟體的基本指示，讓您可以開始建立光碟。關於軟體以及如何使用的其它資訊皆可在軟體光碟的線上使用手冊找到。

---

## 準備工作

在您開始安裝之前，請先讀取下列資訊。安裝本光碟機，您必須完成下列的安裝步驟：

1. 決定使用哪一個 IDE 連接埠以及對應的配置設定。
2. 安置或變更光碟機上的配置跳接器（並視情況改變其它相關裝置的配置跳接器）。
3. 將光碟機安裝到光碟機機槽。
4. 配置系統。
5. 安裝裝置驅動程式。

如果您不瞭解這些程序或不確定是否有能力自行完成所有的程序，請洽詢合格的技術人員協助您安裝 CD-RW 光碟機。

## 系統需求

在安裝光碟機之前，請先確定您的電腦符合下列系統需求：

- 微處理器最小需求：Intel<sup>®</sup> Pentium<sup>®</sup> 處理器（或同級品）
- RAM 最小需求：32 MB<sup>4</sup>
- 存在有可用的 IDE 連線位置
- 存在有可用的電源接線

- 
3. 如果您採購黑色選用設備套件，您會收到一個黑色面板。
  4. 在說明記憶體儲存能力時，MB 大約等於 1 000 000 位元組，使用者可存取的總量依作業系統而不同。

- 一個 5.25 英吋磁碟機機槽
- 電腦應已安裝有下列其中一種作業系統：
  - Microsoft Windows NT Workstation 4.0
  - Microsoft Windows 95、Windows 98 或 Windows Me
  - Microsoft Windows 2000

您需要平頭或十字螺絲起子才能夠完成安裝。您還需要參考電腦附隨的說明文件。請務必備妥本說明文件。

## 搬運及處理的注意事項

在安裝期間，爲了保護 CD-RW 光碟機，請遵循下列預防措施：

- 小心移動或搬運光碟機。掉落或搖動光碟機可能會損壞光碟機槽中的元件。
- 將 CD-RW 光碟機保存於防靜電的包裝袋中，並在要安裝時才取出。取出光碟機時，請放慢動作。任意移動光碟機容易導致靜電的產生。
- 電源線接頭具有方向性，所以不可強行插入電源線。強行插入電源線的接頭，可能會傷及接頭或光碟機。

---

## 產品外觀

以下段落以圖示列出 CD-RW 光碟機的正面與背面。

### 光碟機正面

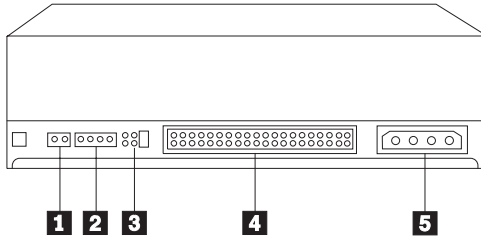
請參閱下列圖例以識別各部份的元件，以便稍後可以順利參照安裝說明中的各項指示。



- 1 光碟托盤。**請使用這個托盤來載入及取出光碟。
- 2 忙碌指示燈。**這個指示燈會在光碟機讀取、播放或播放光碟時亮起。
- 3 手動退片孔。**這個孔提供退出機制，可在正常程序不作用時用來取出碟機中的光碟。
- 4 退出/載入按鈕。**按下此按鈕可開啓或關閉光碟托盤。

## 光碟機的背面

請參閱下列圖例以識別各部份的元件，以便稍後可以順利參照安裝說明中的各項指示。



**1** 保留。

**2** 音訊輸出接頭。請使用這個接頭來連接 CD-RW 光碟機到音效卡。

**3** 配置接腳。這些接腳用來設定光碟機的配置。

**4** IDE 接頭。請使用這個接頭將 CD-RW 光碟機連到 IDE 接線。

**5** DC 電源接頭。請使用這個接頭將 CD-RW 光碟機連到電腦的電源供應器接線。

---

## 安裝光碟機

請依下列步驟將光碟機安裝至您的電腦中。

### 步驟 1. 打開電腦

請執行下列步驟來打開電腦：

1. 關閉電腦及其所有附屬裝置的電源。
2. 拔掉電腦及所有附屬裝置的電源線。
3. 卸下電腦的外殼。

### 步驟 2. 拆封光碟機的包裝

請執行下列步驟來打開光碟機包裝：

1. 觸摸未上漆的金屬表面約二秒鐘，來清除任何累積的靜電。將含有光碟機的包裝袋接觸未上漆金屬表面約二秒鐘。
2. 從袋中取出光碟機。

如果您必須放下光碟機，請先將防靜電袋放置在鋪平的表面（例如雜誌）上，然後再將光碟機正面朝上放置在防靜電袋上。

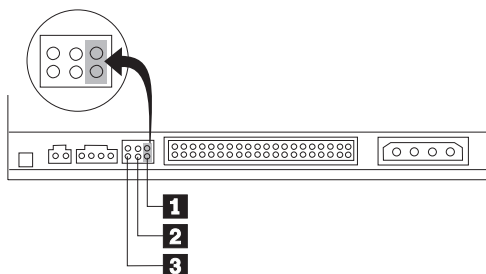
### 步驟 3. 選取 IDE 連接埠

新型的電腦通常有二個 IDE 連接埠。如果您的電腦有二個 IDE 連接埠，請使用次要 IDE 連接埠來連接 CD-RW 光碟機。次要 IDE 連接埠通常緊鄰在連接硬碟機的主要 IDE 連接埠。您所選用的 IDE 連接埠以及接線位置，將決定光碟機使用的配置跳接器設定。請參閱第1-86頁的『步驟 4. 配置跳接器的設定』來取得設定配置跳接器的指示。

- 如果您的電腦有二個 IDE 連接埠，請將使用附隨光碟機的 IDE 接線將 CD-RW 光碟機連到次要 IDE 連接埠。如果次要 IDE 連接埠只連接 CD-RW 光碟機，您要使用主要配置設定。如果除了 CD-RW 光碟機上還有其它裝置連到次要連接埠，您要使用附屬配置設定。
- 如果您要將 CD-RW 光碟機連到和快速裝置相同的 IDE 連接埠，請對 CD-RW 光碟機使用附屬設定，對快速裝置使用主要設定。在某些情況下，當同一條接線上的另一個裝置配置為附屬時，硬碟可能會要求「主要/附屬並存」的設定。有關這些裝置上跳接器設定的資訊，請參閱隨附於電腦或其它硬體裝置的文件說明。
- 有些非 IBM 電腦支援「接線選取」設定，可以直接以連接在接線上的位置來決定該裝置為主要或附屬的裝置。請參閱電腦附隨的說明文件，來判斷您的系統是否支援這種設定。

## 步驟 4. 配置跳接器的設定

以下圖例顯示主要 **1** 的設定、附屬 **2** 的設定以及接線選取 **3** 的設定。請將接腳放置在與步驟 3 所選取之設定對應的一對接腳上，來配置 CD-RW 光碟機。



- 如果您要將光碟機配置成「主要」，請將跳接器設成主要 **1** 的裝置設定。（您的光碟機在出廠交貨時，就已經幫您做成此一設定）。如果 IDE 連接埠上有第二個裝置，請確定該裝置配置為附屬。
- 如果您要將裝置配置為「附屬」，請將跳接器設成附屬 **2** 的裝置設定。請檢查 IDE 連接埠上的另一個裝置是否配置為「主要」（或主要/次要並存）。
- 如果您要將光碟機配置成「接線選取」，請將跳接器設成「接線選取」 **3** 的裝置設定。如果 IDE 連接埠上已經有其它裝置，請檢查該裝置也配置為接線選取。

## 步驟 5. 將光碟機安裝至磁碟機槽中

**警告：** 將螺絲直接拴在光碟機上時，請務必要使用選用設備包裝中的裝載螺絲。使用太長的螺絲可能使光碟機受損。

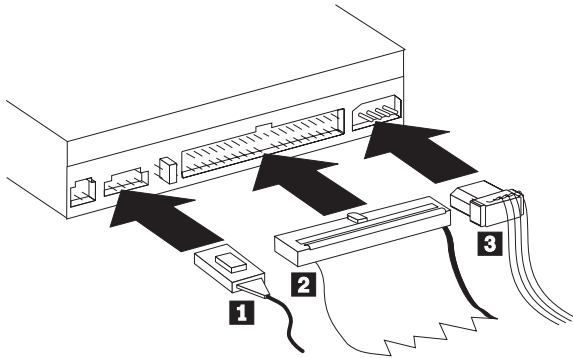
您可以將 CD-RW 光碟機水平或垂直安裝到電腦上。如果您以直立方式安裝光碟機，您必須在關閉光碟機托盤之前固定好放入的光碟，否則 CD-RW 光碟機無法正確讀取光碟。有關如何固定放入直立安裝光碟機的光碟的進一步指示，請參閱第 1-91 頁的『載入光碟』。

1. 將光碟機推入槽中。在您的電腦安裝儲存裝置時可能需要特殊的程序。請參照隨附於您電腦中的相關文件。
2. 將磁碟機機槽螺絲孔對準磁碟機槽或安裝框架上的螺紋孔。請務必要使用本光碟機提供的裝載螺絲。使用尺寸錯誤的螺絲可能會損壞光碟機。輕輕拴上螺絲來檢查位置。通常，每側會使用兩個螺絲固定。
3. 檢查並確定螺絲孔已對齊；然後再上緊螺絲以固定光碟機。螺絲不可以拴得太緊。



## 步驟 6. 連接光碟機的接線

請依下列步驟來連接接線到 CD-RW 光碟機：



1. 如果您要將 CD-RW 光碟機連到音效卡或主機板上的音效功能，請找出內含的音訊接線，然後判斷最適用於光碟機音源的音訊輸入 (audio-in) 連接埠的接線。將選取之音訊線的一端接到 CD-RW 光碟機音訊輸出 (audio-out) 接頭 **1**，然後將接線另一端接到光碟機音源的音訊輸入 (audio-in) 連接埠。請妥善收藏其它接線供以後其它音效卡使用。
2. 將 40 接腳的 IDE 接線接頭 **2** 連到光碟機上的 IDE 接頭。對準接線，使不同顏色的邊緣最接近電源線接頭 **3**。如果電腦中的 IDE 連接埠並沒有接線，或者是 IDE 的接線上只有一個裝置的接頭，則請使用隨附於本選用設備中的 IDE 接線。如果您使用內含的 IDE 接線，請將接線的一端連到主機板 IDE 連接埠或 IDE 配接卡，並將 IDE 接線的另一端連到 CD-RW 光碟機。
3. 找出一條連到電腦電源的可用電源線。將四針的電源線 **3** 連到 CD-RW 光碟機的 DC 電源接頭。

## 步驟 7. 完成硬體的安裝作業

請執行下列步驟來完成硬體安裝：

1. 確認光碟機已經裝妥，而且所有的接頭均已穩固連接。
2. 確定接線不會妨礙回裝電腦的外殼，也不會擋住電源供應器風扇的葉片或散熱的通風路徑。
3. 重新裝回電腦外殼。
4. 重新連接所有的外部裝置，並檢查是否有裝置尚未完成接線；檢查項目如鍵盤、滑鼠及監視器等等。
5. 將所有外部裝置的電源線插到電源插座上。

## 步驟 8. 安裝面板

本選用套件含有二個面板，適用於曲線設計的電腦。如果您的電腦為曲線設計，您可以安裝任一個附隨的面板，來使光碟機和外接盒配合。請選擇和您電腦最相配的面板，並在 CD-RW 光碟機裝載到適當的機槽後安裝面板。

註：視您電腦的外部設計，您可能要先安裝面板才能夠裝回電腦外殼。

## 步驟 9. 更新電腦的配置

在您完成硬體的安裝作業之後，請重新啓動您的電腦。通常，當您打開電腦的電源時，會顯示配置設定資訊畫面。如果您看不到這個畫面，請查閱電腦的說明文件，來取得如何存取配置或安裝公用程式的資訊。

在大部份的 IBM 電腦，要查閱配置資訊，請在啓動期間 IBM 圖形顯示在螢幕右上角時按下 F1 鍵。當您檢視完相關的設定資訊之後，請儲存變更然後結束檢視。

## 步驟 10. 安裝 Easy CD Creator 與 DirectCD 軟體

請執行下列步驟來安裝 Easy CD Creator 與 DirectCD 軟體：

註：請參閱 Adaptec Easy CD Creator 與 DirectCD 光碟上的 README 檔案，以取得 Easy CD Creator 與 DirectCD 軟體的最新資訊。

Easy CD Creator 與 DirectCD 含有下列程式：

- Easy CD Creator
- DirectCD

爲了讓 CD-RW 光碟機發揮最大功能，您必須安裝 Easy CD Creator 與 DirectCD 程式。如果您的電腦上還有 MR CD-ROM 或 DVD-ROM 光碟機，您可能要安裝 UDF 讀取器程式來讀取這些光碟機中的某些 CD-R 或 CD-RW 光碟。

請執行下列步驟，將 Easy CD Creator 與 DirectCD 軟體安裝到 Windows 98、Windows 95、Windows Me、Windows 2000 或 Windows NT 4.0：

1. 將 Easy CD Creator 與 DirectCD 光碟插入 CD-RW 光碟機。
2. 如果 Adaptec Easy CD Creator 安裝視窗開啓，請依螢幕出現的指示進行。如果沒有，請繼續進到下一個步驟。
3. 按一下開始 --> 設定 --> 控制台。
4. 連按兩下新增/移除程式。
5. 依螢幕上出現的指示完成安裝。請依需要安裝每一個 Easy CD Creator 與 DirectCD 的元件。
6. 如果您的選用套件含有 Adaptec 軟體的更新磁片，請在出現提示時插入。
7. 重新啓動作業系統。

## 在 Windows 95、Windows 98、Windows Me、Windows 2000 與 Windows NT 4.0 安裝 UDF 讀取器

提供的 UDF 讀取器軟體可在未安裝 DirectCD 的電腦上用來讀取 DirectCD 寫入的光碟。當您將 DirectCD 安裝到您的系統上時，會同時複製一份 UDF 讀取器的安裝程式到您的系統。您可以在其它電腦安裝 UDF 讀取器，來讀取您自己建立的 UDF 相關光碟。UDF 讀取器安裝程式的位置會因作業系統及語言選擇而改變。

請請執行下列步驟來安裝 UDF 讀取器：

1. 選取**開始-->尋找-->檔案或開始-->尋找-->資料夾**。
2. 在電腦的硬碟尋找檔案 UDFRINST.EXE。
3. 從找到的檔案清單將檔案 UDFRINST.EXE 複製到磁片上。
4. 將磁片拿到您要讀取 DirectCD 光碟的電腦。
5. 在新系統上，依序按一下**我的電腦**、磁片圖示以及 UDFRINST.EXE 圖示。
6. 依螢幕上的指示完成軟體安裝。
7. 重新啟動電腦。

**註：**已經安裝 DirectCD 的電腦不需要 UDF 讀取器。它是用於共享使用 DirectCD 寫入的媒體的電腦。

---

## 使用 CD-R 與 CD-RW 光碟

CD-RW 可寫入 CD-R 與 CD-RW 光碟。CD-RW 光碟可重複消除並重複使用許多次，CD-R 光碟則只能寫入一次。

CD Creator 用來複製光碟、建立新的資料光碟以及產生可被標準 CD-ROM 光碟機以及光碟播放程式讀取的光碟。

DirectCD 可用來製作可以反覆修改的檔案保存以及資料光碟。它還提供方便的直接磁碟機字母存取。在使用 CD-RW 媒體時，DirectCD 和使用磁片儲存檔案非常類似。如果您在 DirectCD 使用 CD-R 媒體，您可以重複寫入直到光碟滿了為止，此時資料也告固定。DirectCD 建立的媒體只可使用較新的 CD-ROM 光碟機以及支援多重讀取模式的 DVD-ROM 光碟機讀取。有些作業系統需要 UDF 讀取器才能夠讀取 DirectCD 建立的光碟。

**註：**CD-R 光碟可用音訊光碟播放程式播放。大部份的音訊光碟播放程式無法播放 CD-RW 光碟。

**註：**CD-R 媒體是以寫入速度分級。12x 寫入模式需要 12x 媒體。請向媒體製造廠商洽詢媒體需求的最大速度。下表列出高速與低速媒體對照表：

光碟機	媒體	寫入	讀取
低速	低速	是	是
低速	高速	否	是
高速	高速	是	是
高速	低速	是*	是

\*在低速媒體上以低速寫入。

---

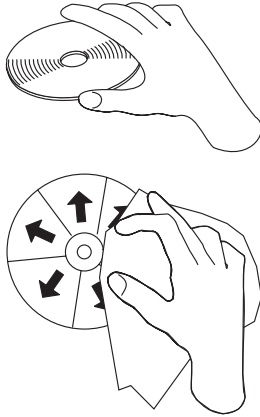
## 使用光碟機

本節提供如何搬運及處理與保養光碟片與 CD-RW 光碟機、如果載入光碟到 CD-RW 光碟機、如何開始使用 Easy CD Creator 與 DirectCD 程式的相關資訊。

### 光碟的搬運及處理與保養

由於光碟為一高密度的媒體，所以需要小心保管以確保其中所含資訊的可讀性。下列注意事項可以延長光碟的使用壽命。

**警告：** 以圓形方向擦拭光碟可能會造成其中的資料流失。



- 以手拿取光碟的邊緣或中央的小孔。請不要觸摸光碟的表面。
- 清除灰塵或指紋時，請以柔軟無纖維的布由光碟的中央向邊緣擦拭。
- 不可以在表面上寫字。
- 不可以讓光碟直接暴曬於日光下。
- 不可以使用清潔劑清洗光碟。
- 不可以任意彎曲光碟。

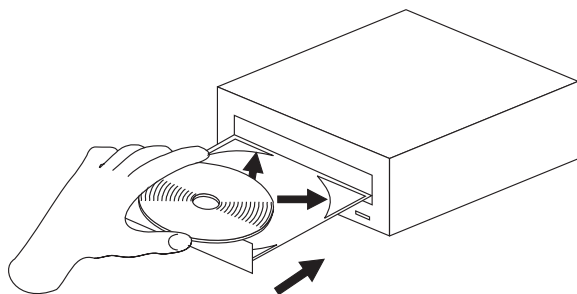
### CD-RW 光碟機的保養

在使用期間，爲了保護 CD-RW 光碟機，請遵循下列預防措施：

- 移動光碟機之前先取出其中的任何光碟。
- 不要將其它物件插入光碟機中
- 不要自行拆卸光碟機的外殼，也不要嘗試自行維修光碟機
- 請避免在下列不良的環境中使用光碟機：
  - 高溫、高濕度或有日光直射的環境中
  - 經常性振動、突發性震動或傾斜的表面上
  - 過多灰塵

## 載入光碟

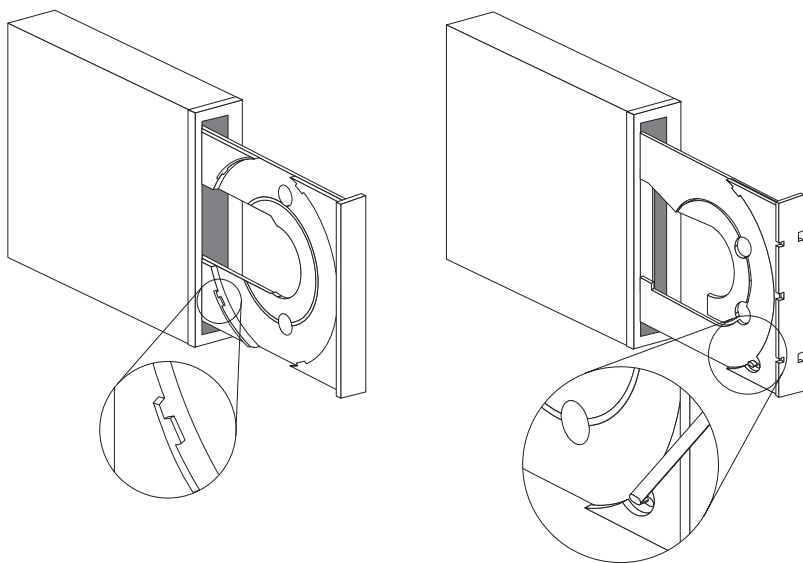
請執行下列步驟來載入光碟到水平安裝的 CD-RW 光碟機：



1. 按下**退出/載入**按鈕。光碟機的托盤會自動滑出。
2. 將光碟插入載入托盤。
3. 按下**退出/載入**按鈕或輕輕推入托盤，即可關閉托盤。

**警告：** 不可以強力將托盤拉出；並可以將異物插入光碟托盤中。如果您按**退出/載入**按鈕時托盤未開啓，請參閱第1-92頁的『手動退出光碟』。

請執行下列步驟來載入光碟到垂直安裝的 CD-RW 光碟機：

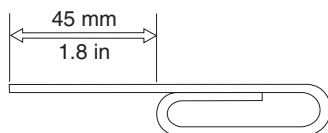


1. 按下**退出/載入**按鈕。

- 請查看圖例並比較您光碟機載入托盤的形式。
  - 如果您的光碟機托盤看起來像是左側圖例中的托盤，請小心地插入光碟，讓光碟的邊緣位於載入托盤卡栓的下方。這些塑膠的卡栓會卡住光碟的邊緣，以保持光碟位於正確的位置上。這些卡栓是附著於托盤上，而且是無法將其取出的。
  - 如果您的托盤看起來像是右側的圖例，請將光碟插入托盤中，然後輕輕地將可移動的卡栓向前推出，即可將光碟固定在正確的位置上。
- 按下**退出/載入**按鈕或輕輕推入托盤，即可關閉托盤。

## 手動退出光碟

如果您按下**退出/載入**按鈕但無法退出托盤，請先關閉電腦電源。如圖所示，將一根別針拉直做成一個工具。拉直的一端長度至少要 45 公釐 (1.8 英寸)。將伸直的一端插入光碟機前面板上的手動退片孔 (請參閱第1-83頁的『光碟機正面』乙節內容)。將別針向前推入，直到托盤開啓為止。小心地將托盤拉出，然後取出您的光碟。



## 使用 Easy CD Creator 與 DirectCD 程式

要使用 Easy CD Creator 與 DirectCD 軟體，請插入完全空白可以寫入部份資料的 CD-R 或 CD-RW 光碟到 CD-RW 光碟機。「Easy CD Creator」功能表視窗自動開啓。

請依下列步驟開啓 DirectCD：

- 按一下**開始 --> 程式集 --> Adaptec DirectCD**。
- 按一下 **DirectCD 精靈**。

## 格式化光碟

您必須先使用 DirectCD 將空白 CD-RW 光碟格式化，才能夠將檔案拖放到光碟中。

要使用 DirectCD 程式<sup>5</sup> 格式化 CD-RW 光碟：

- 插入空白光碟。「DirectCD 精靈歡迎使用」視窗隨即開啓。
- 依序按一下**下一步**。「格式化光碟」視窗隨即開啓。

---

5. 有些光碟，如多階段作業光碟，不需要格式化。有關詳細資訊，請參閱 Adaptec 軟體的線上使用手冊。

**警告：** 在標準媒體，格式化約需 30 分鐘，在高速媒體，格式化約需 15 分鐘便可完成。DirectCD 程式會將光碟配置為接收資料，驗證光碟表面的整合性、以及將 DirectCD 檔案系統結構寫入光碟。您可以於光碟格式化期間，在電腦上執行其它作業。

3. 按一下**下一步**繼續。「光碟命名」視窗隨即開啓。
4. 在「光碟命名」視窗輸入光碟的標題。光碟名稱的長度上限為 11 個字元。
5. 如果您計劃在本光碟使用資料壓縮軟體，請按一下訊息在本光碟啓用資料壓縮勾選框。
6. 按一下**完成**來開始光碟格式化。光碟格式化完成後，「光碟備妥」視窗隨即開啓。
7. 按一下「光碟備妥」視窗中的**確定**。

您現在可以寫入資訊到光碟。

**註：** 如果您在格式化 CD-RW 光碟時遇到問題，請參閱第B-2頁的『You cannot format a CD-RW disc』。

如果您想在具有多重讀取光碟機的其他電腦讀取 DirectCD 格式化的光碟，您必須在該電腦上安裝 UDF 讀取器程式。UDF 讀取器會隨同 CD Creator 一起安裝，也可能在 Adaptec 光碟上，名稱是 UDFINST.EXE。

## 建資料光碟或備份資料檔案

依執行下列步驟來建立資料光碟：

1. 按一下**開始 --> 程式集 --> Adaptec Easy CD Creator 4 --> 特性--> Easy CD Creator 4**。
2. 開啓的視窗和「Windows 檔案總管」類似。在最上層區段，按一下來選取您要加到光碟的檔案或目錄。
3. 按一下視窗頂端的**新增**按鈕將檔案加到光碟。
4. 有關進階特性的資訊如製作多重階段作業光碟、使用**檔案**功能表而不是 Easy CD Creator 精靈來建立光碟的相關資訊，請參閱 Adaptec 軟體的線上使用手冊。

## 建立音訊光碟

要建立音訊光碟：

1. 按一下**開始 --> 程式集 --> Adaptec Easy CD Creator 4 --> 建立光碟**。
2. 「Easy CD Creator」視窗開啓後，按一下**音訊**。
3. 按一下**音訊 CD**。
4. 開啓的視窗和「Windows 檔案總管」類似。在最上層區段，按一下來選取您要加到光碟的音訊檔或曲目。
5. 按一下視窗頂端的**新增**按鈕將檔案加到光碟。
6. 如果您要在車上或家裡的播放機使用該光碟，請選取關閉 CD-R 光碟選項。

有關進階特性的資訊如製作多重階段作業光碟、使用**檔案**功能表而不是 Easy CD Creator 精靈來建立光碟的相關資訊，請參閱 Adaptec 軟體的線上使用手冊。

## 製作光碟盒封面

您可以使用 Easy CD Creator 來建立光盒封面或光碟標籤。當您建立資料或音訊光碟時，Easy CD Creator 程式會使用光碟佈置的資訊如光碟標題，作者名稱以及歌曲清單建立光碟封面。

要列印碟封面或光碟標籤：

1. 按一下**開始 --> 程式集 --> Adaptec Easy CD Creator 4 --> 建立光碟**。
2. 按一下 **Jewel Case Creator**。
3. 在左邊，按一下來選取前面、前面摺頁、背面或光碟標籤。
4. 在主要編輯視窗進行任何變更。您可以按一下**格式**功能表然後選取**變更主題**來變更背景主題。
5. 您完成變更後，按一下**檔案**功能表，接著選取**列印**，然後按一下**確定**。
6. 有關如何變更「光碟封面」視窗的相關資訊，請參閱 Adaptec 軟體線上使用手冊。

## 備份光碟

**警告：** CD Copier 程式可將檔案從某片光碟複製到另一片光碟。要複製商用光碟，您必須擁有著作權或取得著作權擁有人的許可。如果您沒有著作權或未向著作權擁有人取得許可，將因違反著作權而導致賠償或其它處罰。有關著作權法的相關資訊，請洽詢當地的法律人員。

要使用 CD-RW 光碟機來備份（複製）光碟：

1. 按一下**開始 --> 程式集 --> Adaptec Easy CD Creator 4 --> 特性 --> 光碟複製程式**。「光碟複製程式」視窗隨即開啓。
2. 按一下**來源與目標**標籤，如果它出現在最上層的話。
3. 在「複製來源」區段，從捲動下拉方塊選取來源光碟機。

**註：** 這個光碟機含有您要複製的光碟。

4. 在「記錄至」區段，從捲動方塊選取 CD-RW 光碟機。請確定 CD-RW 光碟機中有空白的 CD-R 或 CD-RW 光碟。
5. 在**進階**標籤，您可以選擇測試光碟，來取得最佳的記錄速度。您還可以變更已指定的份數數目，或選擇先將光碟複製到硬碟再複製到空白光碟。這些選擇會增加複製光碟的時間。
6. 選擇好設定值後，將光碟放入複製來源的光碟機。
7. 按一下**複製**來開啓複製光碟。



---

## パート 1: インストールとユーザーズ・ガイド

本書のこの部分は、概要、インストールの説明、および本 IBM 12 倍速 CD-RW IDE ドライブの使用と保守の説明で構成されています。

---

### 概要

この節では、本オプションおよびそれに付属するソフトウェアについて説明します。ここでは、オプションを取り付ける前に必要な情報も記載されています。

### 製品説明

IBM 12 倍速 CD-RW IDE ドライブは、CD-RW および CD-Recordable (CD-R) ディスクに書き込んだり、読み取ったりすることができ、大量生産されたスタンブ CD を読み取ることができます。本ドライブを使用して作成された CD は、CD-RW ディスクと他のメディアを読み取り可能な Multi-Read (MR) CD-ROM ドライブおよび DVD-ROM ドライブと互換性があり、さらに CD-R と CD-ROM ディスクだけを読み取り可能な従来の非 MR CD-ROM ドライブとの互換性もあります。

本ドライブは、標準 CD-ROM 速度の最高 12 倍で CD-R ディスクに書き込み、最高 1800 KB<sup>1</sup> / 秒でデータを記録することができます。本ドライブはこの速度で、約 6 分で約 650 MB の情報を CD-R ディスク上に記録することができます。本ドライブが CD-RW ディスクと CD-R ディスクに書き込む速度は異なります。本ドライブは、標準 CD-ROM 速度の最高 8 倍で CD-RW ディスクに書き込み、最高 1200 KB / 秒でデータを記録することができます。本ドライブはこの速度で、約 9 分で約 530 MB<sup>2</sup> の情報を CD-RW ディスクに記録することができます。また本ドライブは、標準 CD-ROM 速度の最高 32 倍、つまり 4800 KB / 秒でデータを読み取ることもできます。

**注:** CD 記録機能を使用するには、Microsoft<sup>®</sup> Windows<sup>®</sup> 95、Windows<sup>®</sup> 98、または Windows NT<sup>®</sup> 4.0、Windows<sup>®</sup> 2000、および Windows<sup>®</sup> Millennium (Me) 用の Easy CD Creator 4 または DirectCD ソフトウェア (付属) をインストールする必要があります。Easy CD Creator 4 および DirectCD ソフトウェアの詳細については、1-104ページの『ステップ 10. Easy CD Creator と DirectCD ソフトウェアをインストールする』を参照してください。本 CD-RW ドライブは、高速および標準の CD-R と CD-RW メディアに書き込むことができます。

---

1. KB は、データ転送速度を示す場合、約 1024 バイトに相当します。

2. MB は、記憶容量を示す場合、約 1 000 000 バイトに相当します。

本 CD-RW ドライブは、Integrated Drive Electronics (IDE) アーキテクチャーまたは拡張 IDE アーキテクチャーを使用するコンピューターにしか取り付けることができません。

本書の他に、本オプション・キットには次の品目が含まれています。

- CD-RW ドライブ
- オーディオ・ケーブル 2 本
- 取り付け用ねじ 4 本
- IDE ケーブル 1 本
- ベゼル 2 個<sup>3</sup> (特定のコンピューターで使用)
- Adaptec Easy CD Creator and DirectCD ソフトウェア・ディスク
- CD-ROM に関するレーザーの安全上の手引き (Laser Safety Guide for CD-ROMs)
- 電気に関する安全上の手引き (Electrical safety booklet)

品目が不足、損傷している場合には、お買上げの販売店にご連絡ください。領収書またはクレジットの控えは必ず保管しておいてください。保証サービスを受けるために提示を求められる場合があります。保証情報については、『付録 D』を参照してください。

## ソフトウェアの説明

Adaptec Easy CD Creator and DirectCD ディスクには、Windows 95、Windows 98、Windows Me、Windows 2000、および Windows NT Workstation 4.0 で動作するプログラムが収められています。このプログラムを本 CD-RW ドライブで使用すると、オーディオ CD やデータ CD を作成したり、CD をコピーしたり、CD ケース用の差し込みや CD ラベルを作成したりすることができます。本書では、CD の作成を始められるように、ソフトウェアの使用についての基本的な説明を記載します。ソフトウェアについての追加情報と使用法は、ソフトウェア・ディスク上にあるオンライン・ユーザーズ・ガイドを参照してください。

---

## 始める前に

取り付けを始める前に次の情報をお読みください。本ドライブを取り付けるには、次の手順を実施してください。

1. 使用する IDE ポートと、対応する構成設定値を決定します。
2. 本ドライブ上で構成ジャンパーを取り付けるか、交換します (場合によっては、他のデバイスの構成ジャンパーを変更します)。
3. ドライブ・ベイに本ドライブを取り付けます。
4. システムを構成します。
5. デバイス・ドライバをインストールします。

---

3. 黒いオプション・キットを購入した場合は、黒いベゼルが 1 個入っています。

上記の手順がよく理解できない場合、または説明された手順をすべて実行できるかどうかわからない場合は、専門のコンピューター技術者に CD-RW ドライブを代わってインストールしてもらってください。

## システム要件

本ドライブの取り付けを開始する前に、お使いのコンピューターが次のシステム要件に合っているか確認してください。

- マイクロプロセッサ: Intel® Pentium® プロセッサ (またはこれに相当するもの) 以上
- RAM: 32 MB<sup>4</sup> 以上
- IDE 接続が使用可能であること
- 内部電源接続が使用可能であること
- 5.25 インチ ドライブ・ベイが使用可能であること
- 次のオペレーティング・システムのうちの 1 つ
  - Microsoft Windows NT Workstation 4.0
  - Microsoft Windows 95、Windows 98、または Windows Me
  - Microsoft Windows 2000

取り付けを行うには、マイナスまたはプラスのねじ回しが必要な場合があります。また、お使いのコンピューターに付属の資料を参照する必要がある場合があります。この資料を手元に用意しておいてください。

## 取り扱い上の説明

取り付け中に本 CD-RW ドライブを保護するため、次の注意事項を守ってください。

- 本ドライブは慎重に取り扱います。本ドライブを落としたり、衝撃を与えると、ドライブ・ハウジング内部の構成部品を損傷するおそれがあります。
- 本 CD-RW ドライブは、コンピューターへの取り付け準備が完了するまで、帯電防止袋に入れたままにしておいてください。取り付け時の動作は最小限に抑えます。動くことによって、静電気が蓄積される可能性があります。
- 電源ケーブルを無理に差し込まないでください。コネクタや本ドライブを損傷する場合があります。

---

## 製品の図

以下の節では、CD-RW ドライブの正面図と背面図を示します。

---

4. メモリー記憶容量を示す場合、MB は約 1 000 000 バイトを意味します。ユーザーがアクセス可能な容量の合計は、操作環境によって異なります。

## 本ドライブの正面図

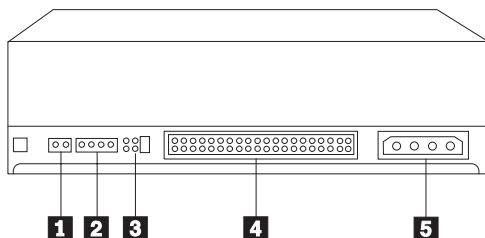
次の図を参照して、取り付け説明に出てくる各部を確認しておいてください。



- 1** CD トレイ。このトレイを使用して、CD のロードおよびアンロードを行います。
- 2** 使用中インディケーター。このライトは、本ドライブが CD を読み取ったり、書き込んだり、再生したりするとオンになります。
- 3** 非常用 CD 取り出し穴。通常の手順で作動しないときは、この穴のイジェクト機構を使用して、本ドライブから CD を取り出します。
- 4** イジェクト/ロード・ボタン。このボタンを押すと、CD トレイを開いたり、閉じたりします。

## 本ドライブの背面図

次の図を参照して、取り付け説明に出てくる各部を確認しておいてください。



- 1** 予約済み。
- 2** オーディオ出力コネクタ。このコネクタを使用して、CD-RW ドライブをサウンド・アダプターに接続します。
- 3** 構成ピン。これらのピンは、ドライブ構成の設定に使用されます。
- 4** IDE コネクタ。このコネクタを使用して、CD-RW ドライブを IDE ケーブルに接続します。
- 5**

**5 DC 電源コネクタ**。このコネクタを使用して、本 CD-RW ドライブをコンピューターの電源コードに接続します。

---

## 本ドライブの取り付け

本ドライブをコンピューターに取り付ける手順は、次のとおりです。

### ステップ 1. コンピューターを開く

コンピューターを開くには、次の手順を実行します。

1. コンピューターと接続デバイスをすべてオフにします。
2. コンピューターとすべての接続デバイスの電源コードのプラグを外します。
3. コンピューターのカバーを取り外します。

### ステップ 2. ドライブを梱包から取り出す

ドライブを梱包から取り出すには、次の手順を実行します。

1. 蓄積された静電気を放電するためには、塗装されていない金属面に少なくとも 2 秒間接触します。本ドライブが入れられている袋を、塗装されていない金属面に少なくとも 2 秒間接触させます。
2. 本ドライブを帯電防止袋から取り出します。

本ドライブを置かなければならない場合、平らで柔らかな面の上 (雑誌の上など) に帯電防止袋を敷き、その袋の上に本ドライブをコンポーネント側を上に向けて置きます。

### ステップ 3. IDE ポートを選択する

新しいタイプのコンピューターの場合、通常 2 つの IDE ポートがあります。コンピューターに 2 つの IDE ポートがある場合は、セカンダリー IDE ポートを使用して CD-RW ドライブに接続します。通常、セカンダリー IDE ポートは、ハード・ディスクに接続するプライマリー IDE ポートに隣接しています。選択する IDE ポートと選択するケーブル位置によって、本ドライブで使用する構成ジャンパーが決まります。構成ジャンパーの設定の説明については、1-102ページの『ステップ 4. 構成ジャンパーを設定する』を参照してください。

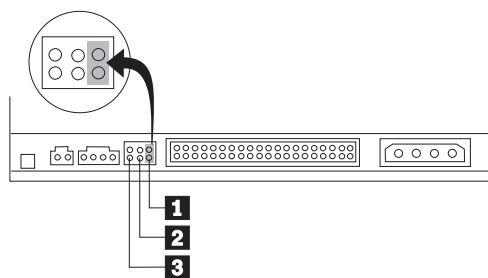
- IDE ポートが 2 つある場合、本ドライブに付属の IDE ケーブルを使用して、本 CD-RW ドライブをセカンダリー IDE ポートに接続します。本 CD-RW ドライブがセカンダリー IDE ポート上の唯一のデバイスである場合、マスターに設定します。セカンダリー・ポート上に CD-RW ドライブのほかにも別のデバイスがある場合は、スレーブに設定します。
- 本 CD-RW ドライブを、ハード・ディスクなどの、より高速のデバイスと同じ IDE ポートに接続しなければならない場合は、本 CD-RW ドライブをスレーブに設定し、より高速のデバイスをマスターに設定します。場合によっては、同じケーブル上の別のデバイスがスレーブに設定されているとき、ハード・ディスクの設定を「スレーブが存在するマスター」にしなければなら

ないことがあります。他のデバイス上での構成ジャンパーの設定の詳細については、お使いのコンピューターか該当のデバイスに付属の資料を参照してください。

- 一部の IBM 以外のコンピューターでは、ケーブル・セレクトの設定値がサポートされているものもあります。これらのコンピューターでは、ケーブル上のデバイスの位置によって、そのデバイスがマスターかスレーブかが決まります。お使いのシステムがこの設定値をサポートするかどうか確認するには、お使いのコンピューターに付属の資料を参照してください。

## ステップ 4. 構成ジャンパーを設定する

次の図では、マスター **1** 設定値、スレーブ **2** 設定値、およびケーブル・セレクト **3** 設定値を示しています。本 CD-RW ドライブを構成するには、ステップ 3 で選択した設定値に対応する 1 対のピンの上にジャンパーを置きます。



- 本ドライブをマスターとして構成する場合、ジャンパーをマスター **1** に設定します。(本ドライブは、出荷時にこの設定になっています。) IDE ポート上に 2 台目のデバイスがある場合は、そのデバイスがスレーブとして構成されているか確認します。
- 本ドライブをスレーブとして構成する場合、ジャンパーをスレーブ **2** に設定します。IDE ポート上のもう一方のデバイスがマスター (またはスレーブが存在するマスター) として構成されているか確認します。
- 本ドライブをケーブル・セレクトとして構成する場合、ジャンパーをケーブル・セレクト **3** に設定します。IDE ポート上に別のデバイスがある場合は、そのデバイスもケーブル・セレクト用に構成されているか確認してください。

## ステップ 5. 本ドライブをベイに取り付ける

**考慮事項:** ねじを本ドライブに直接ねじ込んでいるときは、必ず、オプション・パッケージの取り付け用ねじをご使用ください。使用するねじが長過ぎると、本ドライブを損傷するおそれがあります。

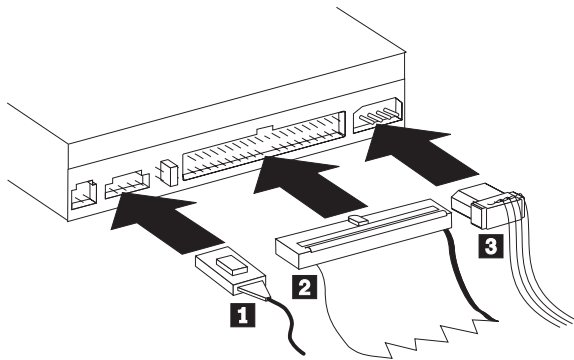
本 CD-RW ドライブはコンピューターに横向きまたは縦向きのどちらにも取り付けることができます。本ドライブを縦向きに取り付ける場合、ドライブ・トレイを閉じる前に、本ドライブに入れた CD を固定する必要があります。そうしないと、本 CD-RW ドライブがその CD を正しく読み取れなくなります。縦

に取り付けたドライブ内で CD を固定する方法については、1-108ページの『CD のロード』を参照してください。

1. 本ドライブをベイの中に挿入します。お使いのコンピューターによっては、記憶装置を取り付けるのに特別な手順が要求される場合があります。さらに詳しい指示については、お使いのコンピューターに付属の資料を参照してください。
2. ドライブ・ベイのねじ穴を、ドライブ・ハウジングまたは取り付け金具内のねじ山付きの穴と位置をそろえます。必ず、このドライブに付属の取り付け用ねじを使用してください。正しくないサイズのねじを使用すると、本ドライブを損傷するおそれがあります。ねじを緩く通してみても、その位置を確認します。通常、それぞれの側に 2 本のねじを使用します。
3. 位置合わせが正しいか確認してから、ねじを締めて本ドライブを固定します。きつく締め過ぎないようにしてください。

## ステップ 6. ケーブルを本ドライブに接続する

次のようにして、ケーブルを本 CD-RW ドライブに接続します。



1. 本 CD-RW ドライブをサウンド・アダプター、またはシステム・ボード上のサウンド機能に接続したい場合、パッケージに含まれているオーディオ・ケーブルを見つけて、どのケーブルが、サウンド・アダプター上の CD オーディオ入力ポートに最も適合するかを判断します。選択したオーディオ・ケーブルの一方の端を本 CD-RW ドライブのオーディオ出力コネクタ **1** に接続し、ケーブルのもう一方の端をサウンド・アダプターの CD オーディオ入力ポートに接続します。将来、異なるサウンド・アダプターを使用する場合のために、もう 1 本のケーブルはとっておいてください。
2. 40 ピン IDE ケーブル・コネクタ **2** を、本ドライブ上の IDE コネクタに接続します。ケーブルを、色分けされた側が電源ケーブル・コネクタ **3** に最も近くなるように位置合わせします。IDE ポートにケーブルが接続されていない場合、または IDE ケーブル上にデバイス・コネクタが 1 つしかない場合、このオプションと一緒に提供された IDE ケーブルを使用します。付属の IDE ケーブルを使用する場合は、そのケーブルの一方の端を、システム・ボードの IDE ポートまたは IDE アダプターに接続し、もう一方の端を本 CD-RW ドライブに接続してください。

3. コンピューターの給電部に接続される電源ケーブルを見つけます。4 ピン電源ケーブル **3** を、本 CD-RW ドライブの DC 電源コネクタに接続します。

## ステップ 7. ハードウェアの取り付けを完了する

ハードウェアの取り付けを完了するには、次の手順を実行します。

1. 本ドライブがしっかりと取り付けられ、コネクタが正しく接続されているか確認します。
2. ケーブルがコンピューターのカバーの邪魔になっていたり、電源機構のファンの羽根や通風経路を妨害していないか確かめます。
3. コンピューター・カバーを元通り取り付けます。
4. デバイスをすべて再接続し、キーボード、マウス、モニターなど、取り外した可能性のあるデバイスをチェックします。
5. すべての電源コードを電源コンセントに接続します。

## ステップ 8. ベゼルの取り付け

このオプション・パッケージには、特定のコンピューターの曲面デザインに合った 2 つのベゼルが含まれています。お使いのコンピューターが曲面のデザインになっている場合、パッケージに含まれているベゼルの 1 つを取り付けて、本 CD-RW ドライブの前面が外部キャビネットとぴったり合うようにすることができます。お使いのコンピューターと合ったベゼルを選択し、本 CD-RW ドライブを該当のベイに取り付けた後にそのベゼルを取り付けます。

**注:** お使いのコンピューターの外装設計に応じて、コンピューター・カバーを取り付け直す前に、ベゼルの取り付けが必要になる場合があります。

## ステップ 9. コンピューターの構成を更新する

ハードウェアの取り付けを完了したら、コンピューターを再始動します。コンピューターの電源をオンにすると、通常、構成セットアップ情報画面が表示されます。この画面が表示されない場合は、お使いのコンピューターの資料を参照して、構成またはセットアップ・ユーティリティ・プログラムへのアクセス方法を確認してください。

ほとんどの IBM コンピューターでは構成情報を表示する際には、始動時に画面の右上隅に IBM グラフィックが表示されるときに F1 を押します。この情報の更新が済んだら、変更を保管して終了します。

## ステップ 10. Easy CD Creator と DirectCD ソフトウェアをインストールする

Easy CD Creator と DirectCD ソフトウェアをインストールするには、次の手順を実行します。



注: Easy CD Creator と DirectCD ソフトウェアの最新情報については、必ず、Adaptec Easy CD Creator and DirectCD CD 上の README ファイルを参照してください。

Easy CD Creator and DirectCD CD には、次のプログラムが収められています。

- Easy CD Creator
- DirectCD

本 CD-RW ドライブの機能を完全に利用するには、Easy CD Creator と DirectCD の両方のプログラムをインストールする必要があります。お使いのコンピューターに MR CD-ROM ドライブまたは DVD-ROM ドライブも備えられている場合、これらのドライブで特定の CD-R または CD-RW ディスクを読み取るには、UDF Reader プログラムのインストールが必要になる場合があります。

Windows 98、Windows 95、Windows Me、Windows 2000、または Windows NT 4.0 用の Easy CD Creator および DirectCD ソフトウェアをインストールするには、次の手順を実行します。

1. Easy CD Creator and DirectCD ディスクを本 CD-RW ドライブに挿入します。
2. 「Master Setup」ウィンドウが開く場合は、表示中の指示に従います。開かない場合は、次のステップに進みます。
3. 「スタート」 → 「設定」 → 「コントロール パネル」の順にクリックします。
4. 「アプリケーションの追加と削除」をダブルクリックします。
5. 画面の指示に従って、インストールを完了します。Easy CD Creator および DirectCD コンポーネントをインストールするごとに上記の手順を繰り返します。
6. オプション・パッケージに Adaptec ソフトウェア用の更新ディスクセットが含まれている場合は、プロンプトが出たらそのディスクセットを挿入します。
7. オペレーティング・システムを再始動します。

### **Windows 95、Windows 98、Windows Me、Windows 2000、および Windows NT 4.0 用 UDF Reader ソフトウェアのインストール**

UDF Reader ソフトウェアは、DirectCD がインストールされていない PC 上で、DirectCD を使って書き込まれたディスクを読み取るために提供されています。お使いのシステム上で DirectCD をインストールすると、UDF Reader のインストーラーのコピーが、お使いのシステムにもコピーされます。お客様自身が UDF で作成したディスクを読み取るために UDF Reader を他の PC にインストールすることができます。UDF Reader のインストーラーの場所は、お使いのオペレーティング・システムおよび基本文字モードの選択に応じて異なります。

UDF Reader をインストールするには、次の手順を実行します。

1. 「スタート」→「検索」→「ファイルやフォルダ」の順に選択します。
2. コンピューターのハード・ディスクでファイル UDFRINST.EXE を検索します。
3. 検索されたファイル・リストからファイル UDFRINST.EXE をディスクットにコピーします。
4. DirectCD ディスクを読み取らせたいコンピューターのところまでディスクットを持っていきます。
5. 新しいシステムで、「マイ コンピュータ」をクリックし、「ディスクット」アイコンをクリックして、「UDFRINST.EXE」アイコンをクリックします。
6. 画面の指示に従って、ソフトウェアのインストールを完了します。
7. PC を再始動します。

**注:** UDF Reader は、DirectCD がインストールされているコンピューターでは必要ありません。これは、DirectCD を使用して書き込むコンピューターとメディアを共用するコンピューターで使用するよう提供されています。

---

## CD-R ディスクと CD-RW ディスクの使用

本 CD-RW は、CD-R と CD-RW の両方のディスクに書き込むことができます。CD-RW ディスクは、何回でも消去して再使用することができるのに対し、CD-R ディスクは一回しか書き込めません。

CD Creator は、CD のコピー、新しいデータ CD の作成、標準の CD-ROM ドライブと CD プレイヤーによって読み取ることができる新しいオーディオ CD の作成を行うのに使用されます。

DirectCD は、何回でも更新できるファイル・アーカイブおよびデータ CD を作成するのに使用されます。また、直接ドライブ文字アクセスの便宜も提供します。CD-RW メディアとともに使用される場合、DirectCD はディスクットを使用してファイルを保管するのに非常によく似ています。DirectCD が CD-R メディアとともに使用される場合、CD がいっぱいになるまで書き込んだり、再書き込みしたりでき、その時点でデータは固定されます。DirectCD で作成されたメディアは、MR (Multi-Read) モードをサポートする新型の CD-ROM ドライブと DVD-ROM ドライブでのみ読み取ることができます。オペレーティング・システムによっては、DirectCD で作成されたディスクを読み取るために UDF Reader を必要とすることがあります。

**注:** CD-R ディスクは、オーディオ CD プレーヤーで再生可能です。CD-RW ディスクは、ほとんどのオーディオ CD プレーヤーで再生不能です。

**注:** CD-R メディアは、書き込み速度で等級が定まります。12 倍速書き込みモードでは、12 倍速メディアが必須です。メディアの最大必須速度を判別するには、メディアの製造元にお問い合わせください。次の表は、高速および低速メディアについての互換性マトリックスを示しています。

ドライブ	メディア	書き込み	読み取り
低速	低速	あり	あり
低速	高速	なし	あり
高速	高速	あり	あり
高速	低速	あり*	あり

\*低速メディアでのみ低速で書き込みます。

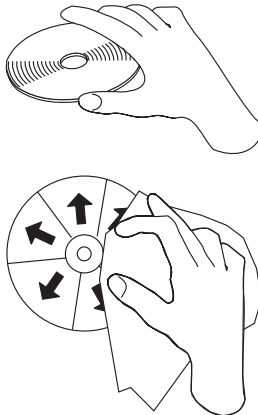
## 本ドライブの使用

ここでは、CD と本 CD-RW ドライブの取り扱いと手入れ方法、CD を本 CD-RW ドライブにロードする方法、および Easy CD Creator と DirectCD プログラムの使用を開始する方法を記載します。

### CD の取り扱いと手入れ

CD は、高密度メディアであるので、慎重に取り扱い、読み取りできるようにきれいにしておく必要があります。次の注意事項が、CD の寿命を延ばすのに役立ちます。

**考慮事項:** 円を描くように CD をふくと、データが失われる可能性があります。



- CD の端または中央の穴を持ちます。CD の表面には触れないでください。
- ほこりや指紋を取り除くには、やわらかいけば立ちのない布を使用して中央から端に向かって CD をふきます。
- 表面に書き込まないでください。
- CD を直射日光に当てないでください。
- CD の清掃に市販のクリーナーを使用しないでください。

- CD を折り曲げないでください。

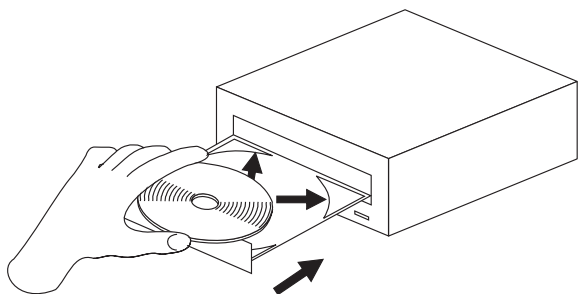
## 本 CD-RW ドライブの取り扱い

操作中に本 CD-RW ドライブを保護するため、次の注意事項を守ってください。

- ドライブを取り外す前に、ドライブ内の CD を取り出してください。
- 異物をドライブに入れないでください。
- ドライブのカバーを取り外したり、ドライブを保守しようとししないでください。
- 次の条件下でドライブを操作しないでください。
  - 高温、高湿度、または直射日光
  - 過剰な振動、突然の衝撃、または表面の傾斜
  - 過剰なほこり

## CD のロード

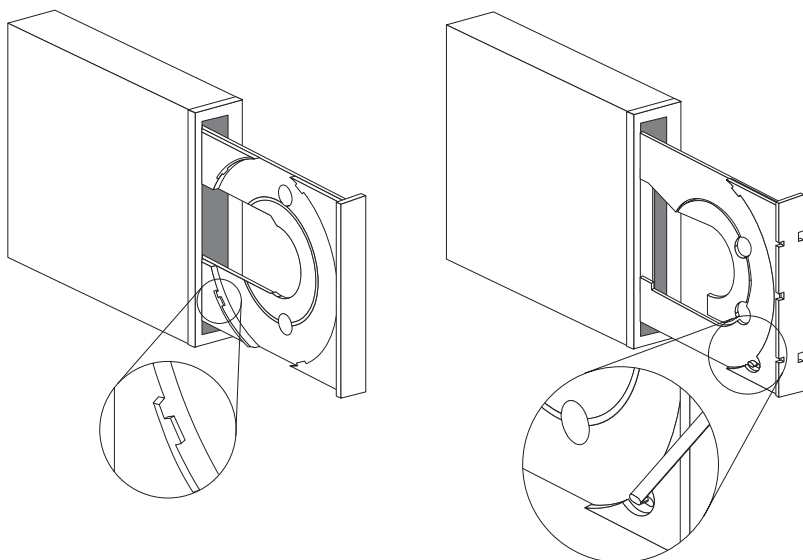
横向きに設置された本 CD-RW ドライブに CD をロードする際には、次の手順を実行します。



1. イジェクト/ロード・ボタンを押します。CD トレイがドライブから出てきます。
2. CD を CD トレイに挿入します。
3. イジェクト/ロード・ボタンを押すか、CD トレイをそっと押し込んでトレイを閉めます。

**考慮事項:** トレイを無理に開かないでください。CD トレイに異物を挿入しないでください。イジェクト/ロード・ボタンを押してもトレイが開かない場合は、1-109ページの『非常時の手動 CD 取り出し』を参照してください。

縦向きに設置された本 CD-RW ドライブに CD をロードする際には、次の手順を実行します。

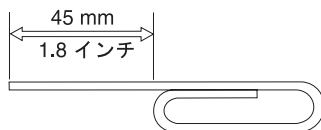


1. イジェクト/ロード・ボタンを押します。
2. 図を参照して、ご使用の CD トレイと比較します。
  - CD トレイが左側の図である場合は、CD の端が CD トレイのタブの下になるように慎重に CD を挿入します。プラスチック製のタブが CD の端を支え、CD を固定します。タブはトレイと一体になっているので、移動できません。
  - CD トレイが右側の図である場合は、CD をトレイに挿入し、移動可能なタブをそっと前方に押しつけて CD を固定します。
3. イジェクト/ロード・ボタンを押すか、CD トレイをそっと押し込んでトレイを閉めます。

### 非常時の手動 CD 取り出し

イジェクト/ロード・ボタンを押しても、トレイが出てこない場合、コンピューターの電源を切ります。図に表示されているように大きなクリップを伸ばしてツールを作ります。伸ばした方の側が 45 mm (1.8 インチ) 以上でなければなりません。伸ばした方の側をドライブの正面にある非常用 CD 取り出し穴に差し込みます (1-100ページの『本ドライブの正面図』を参照)。トレイが開くまで、クリップを穴に押し込みます。CD を取り出せる位置までトレイをそっと引っ張り

出します。



## Easy CD Creator と DirectCD プログラムの使用

Easy CD Creator と DirectCD ソフトウェアを使用するには、ブランクまたは記録可能スペースが残っている CD-R または CD-RW ディスクを本 CD-RW ドライブに差し込みます。「Easy CD CREATOR 4」ウィンドウが自動的に開きます。

DirectCD を開くには、次の手順を実行します。

1. 「スタート」→「プログラム」→「Adaptec DirectCD」の順にクリックします。
2. 「DirectCD ウィザード」をクリックします。

## CD のフォーマット

ディスクにファイルをドラッグ・アンド・ドロップする前に、DirectCD を使ってブランクの CD-RW ディスクをフォーマットする必要があります。

(DirectCD として使用する場合にも、本セクションのフォーマット作業が必要です。)

DirectCD プログラムを使用して CD-RW ディスク<sup>5</sup> をフォーマットするには、次の手順を実行します。

1. ブランクのディスクを差し込みます。「Adaptec DirectCD ウィザード」ウィンドウがオープンします。
2. 「次へ」を 2 回クリックします。「CD のフォーマット」ウィンドウがオープンします。

**考慮事項:** フォーマットの完了には、標準では約 30 分、高速メディアでは約 15 分かかります。DirectCD プログラムは、データを受信するようにディスクを構成し、ディスク表面の完全性を検証し、DirectCD ファイル・システム構造をディスクに書き込みます。ディスクのフォーマット中に、コンピューターで他のタスクを実行できます。

3. 「次へ」をクリックして次に進みます。「CD 名を付ける」ウィンドウが開きます。
4. 「CD 名を付ける」ウィンドウに、お使いのディスクのタイトルを入力します。このディスク名は最高 11 文字 (半角) にすることができます。

---

5. マルチセッション CD などのような一部の CD では、フォーマットは必要ありません。詳しくは、Adaptec ソフトウェアのオンライン・ユーザーズ・ガイドを参照してください。

5. このディスクでデータ圧縮ソフトウェアを使用する計画がある場合は、「CD で圧縮を有効にする」というメッセージの隣にあるチェック・ボックスをクリックします。
6. 「完了」をクリックして、ディスクのフォーマットを開始します。ディスクのフォーマットが終了したら、「CD の準備が出来ました。」ウィンドウが開きます。
7. 「CD の準備が出来ました。」ウィンドウで「OK」をクリックします。

これでディスクに情報が書き込めるようになりました。

注: CD-RW ディスクのフォーマットに問題がある場合は、B-2 ページの『You cannot format a CD RW disc』を参照してください。

MR (Multi-Read) ドライブを備えた別のコンピューターで、DirectCD によりフォーマットしたディスクを読み取りたい場合は、そのコンピューターに UDF Reader プログラムのインストールが必要な場合があります。UDF Reader は、CD Creator とともにインストールされるか、Adaptec CD に UDFRINST.EXE という名前です。

## データ CD の作成またはデータ・ファイルのバックアップ

データ CD を作成するには、次の手順を実行します。

1. 「スタート」→「プログラム」→「Adaptec Easy CD Creator 4」→「Features」→「Easy CD Creator」の順にクリックします。
2. 開いたウィンドウは、Windows エクスプローラに似ています。最上部のセクションで、CD に追加したいファイルまたはディレクトリーをクリックして選択します。
3. ウィンドウの最上部にある「追加」ボタンをクリックして、ファイルを CD に追加します。
4. マルチセッション CD の作成、または Easy CD Creator ウィザードではなく「ファイル」メニューを使用した CD の作成などの拡張機能については、Adaptec ソフトウェアのオンライン・ユーザーズ・ガイドを参照してください。

## オーディオ CD の作成

オーディオ CD を作成するには、次の手順を実行します。

1. 「スタート」→「プログラム」→「Adaptec Easy CD Creator 4」→「Create CD」の順にクリックします。
2. 「Easy CD Creator」ウィンドウが開いたら、「音楽」をクリックします。
3. 「音楽 CD」をクリックします。
4. 開いたウィンドウは、Windows エクスプローラに似ています。最上部のセクションで、CD に追加したいオーディオ・ファイルまたはオーディオ・トラックをクリックして選択します。

5. ウィンドウの最上部にある「追加」ボタンをクリックして、ファイルを CD に追加します。
6. CD-R を自動車用または家庭用のプレイヤーで使用する予定がある場合は、「close CD-R disc」オプションを選択します。

マルチセッション CD の作成、または Easy CD Creator ウィザードではなく「ファイル」メニューを使用した CD の作成などの拡張機能については、Adaptec ソフトウェアのオンライン・ユーザズ・ガイドを参照してください。

## CD ケース用のカバーの作成

Easy CD Creator を使用すると、CD ケース用のカバーや CD ラベルを作成することができます。データ CD またはオーディオ CD を作成する際には、Easy CD Creator プログラムが、CD レイアウトの情報（たとえば、CD タイトル、アーティスト名、歌詞リスト）を使用して、CD ケース用のカバーを作成します。

CD ケース用のカバーまたは CD ラベルを印刷するには、次の手順を実行します。

1. 「スタート」→「プログラム」→「Adaptec Easy CD Creator 4」→「Create CD」をクリックします。
2. 「JEWEL CASE CREATOR」をクリックします。
3. 左側で、フロントカバー、内部カバー、バックカバー（U カード）、または CD ラベルをクリックして選択します。
4. メイン編集ウィンドウで変更を加えます。「フォーマット」メニューをクリックして、「テーマの変更」を選択すると、背景のテーマを変更することができます。
5. 変更を加えたら、「ファイル」メニューをクリックし、次いで「印刷」を選択してから、「OK」をクリックします。
6. 「Jewel Case Creator」ウィンドウ情報の変更の詳細については、Adaptec ソフトウェアのオンライン・ユーザズ・ガイドを参照してください。

## CD のバックアップ

**考慮事項:** CD Copier プログラムは、ある CD から別の CD にファイルをコピーします。市販の CD をコピーする場合には、著作権を所有しているか、著作権所有者からの許可が必要です。著作権を所有せず、著作権所有者からのコピー許可もない場合は、著作権法に違反し、損害賠償の支払いまたはその他の救済策を請求される可能性があります。著作権法の詳細については、法律の専門家にお問い合わせください。

本 CD-RW ドライブを使用して CD をバックアップ（コピー）するには、次の手順を実行します。

1. 「スタート」→「プログラム」→「Adaptec Easy CD Creator 4」→「Features」→「CD Copier」の順にクリックします。「CD Copier」ウィンドウが開きます。



2. 「ソースとターゲット」タブが前面に表示されていない場合は、このタブをクリックします。
3. 「ソース」セクションで、スクロールダウン・ボックスからソース・ドライブを選択します。

**注:** これは、コピーしたい CD が入っているドライブです。

4. 「ターゲット」セクションで、スクロールダウン・ボックスから CD-RW ドライブを選択します。本 CD-RW ドライブには、必ずブランクの CD-R または CD-RW ディスクを入れてください。
5. 「高度な設定」タブで、可能な限り最良の記録速度であるかどうか CD をテストすることができます。また、作成するコピー数を変更したり、ブランクの CD にコピーする前に、その CD をハード・ディスクにコピーしておくこともできます。これらの項目を選択すると、CD のコピーにかかる時間が長くなります。
6. 設定値の選択が終了したら、コピーしようとする CD をソース・ドライブに入れます。
7. 「コピー」をクリックして、CD のコピーを開始します。



---

## Appendix A. Product specifications

This appendix includes the following information:

- Physical specifications
- Power requirements
- Environmental requirements
- Drive write/read speeds
- Drive performance
- Format capabilities

### Physical specifications

The physical specifications<sup>6</sup> of the 12x8x32 CD-RW drive are listed in the following table.

<i>Physical specifications:</i>	
Height	42 mm (1.7 in.)
Width	148 mm (5.9 in.)
Length	206 mm (8.1 in.)
Weight	1.1 kg (2.4 lb.)

### Power requirements

The following table lists the power specifications by voltage level for the 12x8x32 CD-RW drive. The power specifications are measured at the drive power connector and are nominal values.

<i>Power specifications:</i>		
At Voltage	=12 V dc	=5 V dc
Operational current rating is	1.0 A	1.2 A

---

6. Product-description data represents IBM's design objectives and is provided for comparative purposes; actual results might vary, based on a variety of factors. This product data does not constitute a warranty. Data is subject to change without notice.

## Environmental requirements

<i>Environmental Requirements:</i>		
<b>Specification</b>	<b>Operational</b>	<b>Nonoperational</b>
Temperature (noncondensing)	+5° C to +45° C (+41° F to +113° F)	-20° C to +60° C (-4 F to +40 F) -(-4° F to +140° F)
Relative humidity (noncondensing)	10% to 80%	5% to 90%

The following table lists the environmental specifications for the CD-RW drive. You can mount the drive vertically or horizontally.

## Write/Read speeds

<i>Drive Write/Read Speeds:</i>	
<b>Function</b>	<b>Supported Speed</b>
Read (CD-ROM/CD-R disc)	1x, 2x, 4x, 8x, 16x, 14x-32x (CAV)
Read (CD-RW disc)	2x, 4x, 8x, 10x-24x (CAV)
Write (CD-R disc)	4x, 8x, 12x
Write (CD-RW disc)	2x, 4x, 8x

## Media Speed Compatibility

<b>Function</b>	<b>CD-R Media Compatibility</b>	<b>CD-RW Media Compatibility</b>
Reads	ALL	ALL
Writes	4x, 8x, 12x	2x, 4x HS 4x-10x*
*This drive is only capable of writing up to 8x.		
<b>Note:</b> Media or drive speed must support the listed write speed of the media.		

## Drive-performance specifications

The following table lists the performance specifications of the CD-RW drive.

<i>Drive performance:</i>	
<b>Feature</b>	<b>Specification</b>

Burst data transfer rate	16.7 MB (1 MB is approximately 1 000 000 bytes of data) per second (ATA PIO Mode 4) 16.7 MB per second (ATA multi-word DMA Mode 2)
Average access time (including latency)	110 ms (14-32x, CAV)
Cache memory (Read/Write)	8 MB
Disc diameter	12 cm (4.7 in.) (8cm [3 in.] read-only)
Rotational speed	5000 rpm
Rotational speed (CD-ROM/CD-R)	7000
Mean time between failures (MTBF)	120 000 POH (duty 10%)

The following table summarizes the CD format capabilities of the Easy CD Creator 4 program. Refer to the Adaptec software online user's guide for the most recent information on CD format capabilities.

<b>Format</b>	<b>Copy capability</b>	<b>Create capability</b>
CD-DA (Red Book)	Yes	Yes
CD+G	No	No
CD TEXT	Yes	No
CD-ROM (Yellow Book)	Yes	Yes
CD-ROM XA (Mode 2)	Yes	Yes
CD-I (Green Book)	Yes	No
CD-I Bridge	No	No
Video CD (White Book)	Yes	No
CD-R (Orange Book P II)	Yes	Yes
CD-RW (Orange Book P III)	Yes	Yes
Multisession CD	Yes	Yes
CD Extra (Blue Book)	Yes	Yes
Photo CD	Yes	No
Mixed-Mode CD	Yes	Yes
Bootable CD	Yes	Yes
Disc at Once	Yes	Yes
Track at Once	Yes	Yes
Session at Once	Yes	Yes

The CD-RW drive uses the following methods to write files to CDs:

- **Disc at Once:**The drive writes to the entire disc in a single pass; data cannot be added at a later time.
- **Track at Once:** The drive copies one track at a time to the disc.
- **Multisession:** The drive writes several sessions to a disc; each session has at least one track.

Listed below are descriptions of different CD formats that appear in the table.

**CD-Digital Audio:** This format records audio CDs that can be played on audio CD players.

**CD Extra:**This format records audio and data in a multisession format.

**CD TEXT:** This format records audio CDs with the album names and song titles encoded.

**CD-ROM (Mode 1):** This format is used for most CD-ROM applications.

**CD-ROM XA (Mode 2 Form 1 and Mode 2 Form 2) or CD-ROM Extended Architecture:**This standard was created for playback of multimedia content.

**CD-I (Mode 2 Form 1 and Mode 2 Form 2) and CD-I Ready<sup>7</sup>:**This format is used for home entertainment systems.

**CD-I Bridge:**This format records a combination of Kodak Photo CDs and Video CDs that can be played on TV set-top players and personal computers.

**Photo CD (single and multisession):**This format records CDs that are playable on TV set-top video CD players and most DVD systems.

---

7. The CD-RW drive does not have the necessary audio circuitry and decoding functions for CD-I playback, but it can be read from and write to CDs in this format.

---

## Appendix B. Problem Solving

Computer problems can be caused by hardware, software, or user error. You might be able to use the information in this section to solve problems yourself, or gather helpful information you can pass on to a service technician.

Review the following list for any problem descriptions that might fit your situation.

---

### Troubleshooting

#### **Your computer or CD-RW drive does not operate correctly or the busy indicator light does not come on.**

Take the following actions:

1. Check that the CD is loaded with the label side up.
2. Check that all devices are correctly connected to the computer and the electrical outlet. If all devices are correctly connected and you are experiencing problems, go to step 3.
3. Turn off the computer, unplug the cables from the electrical outlets for your computer and all attached devices, and remove the computer cover.
4. Check that all power and IDE cables are securely attached. Disconnect the IDE cable and check for bent or misaligned pins. If you do not find any problems, reconnect the interface cable. Replace the computer cover, and reattach all cables and power cords. Turn on the computer, restart the system, and then attempt to open the CD tray by pressing the **Eject/Load** button. If the tray fails to open and the busy indicator light does not come on, turn off the computer and try using another 4-pin dc power cable.
5. Check that the color-coded edge on the IDE cable aligns with pin 1 on the IDE port and is closest to the power cable on the 12x8x32x CD-ReWritable drive See "Step 3. Selecting an IDE port" on page 1-6.
6. Check that the IDE cable is connected to the proper IDE port connection. See "Step 3. Selecting an IDE port" on page 1-6 for more information.
7. Check the CD-RW drive and any other device on the IDE cable for the proper master/slave jumper settings. See "Step 4. Setting the configuration jumper" on page 1-7 for more information.
8. If the middle connector on the IDE cable is attached to the IDE port on the system board, remove the connector and reattach the cable. If there is only one device on the IDE port, attach the connector at one end of the cable to the IDE port and the connector at the other end to the device, leaving the middle connector (if there is one) open. If there are two devices on the IDE port, attach the connector at one end of the cable to the IDE port. If there is

a hard disk drive, attach it to the connector at the other end of the cable and attach the CD-RW drive to the middle connector.

### **You cannot format a CD-RW disc**

Take the following actions:

1. Verify that your computer has the latest level IDE CD-ROM device driver for your CD-ROM drive. Refer to the documentation for your computer or your CD-ROM drive to determine which device driver file to look for.
2. Verify that your system has the latest level IDE controller device driver. Refer to the documentation for your computer or IDE controller to determine which device driver file to look for.
3. Verify that you have the correct speed media for your write speed. Low speed media cannot be formatted at 12x speed.

### **You cannot create a multi-session disc.**

Be sure that there is enough space left on the media for another session.

Writing a session requires about 15 MB in addition to the data that is recorded.

### **You cannot successfully write to a CD-R or CD-RW disc.**

Take the following action:

1. Verify that the process is not being interrupted by a screen saver, an antivirus program, an Internet or e-mail program, or other software. Disable the functions that might interrupt the write operation.
2. Verify that your computer has the minimum processor listed in the system requirements for this option.
3. Verify that the hard disk drive has been defragmented.
4. Replace the disc if it is damaged or scratched.

### **You cannot eject a CD.**

Take the following actions after ensuring that the drive is not in the process of writing:

1. Close all applications.
2. Eject the CD with the software application. Double-click on **My Computer**. Click the CDR/RW icon. Click **Eject**.
3. Use the **Eject/Load** button.
4. Turn off the computer. Wait 45 seconds; then turn on the computer and try using the **Eject/Load** button again.
5. If other methods do not work, use the manual-eject hole, using instructions given in "Ejecting a CD manually" on page 1-14.



## You cannot read from the CD after successfully writing to it.

Take the following actions:

1. If you can read the CD in another CD player or you can see previous sessions, the directory information might be damaged on the volume, making it unreadable. Check the Adaptec software online user's guide for more troubleshooting ideas.
2. You might have a damaged CD-R or CD-RW disc. Try a new CD-R disc or CD-RW disc, or another brand of disc.
3. If you can read from a CD-RW disc in the CD-RW drive, but not in another MR drive, be sure that a UDF Reader program is installed on the computer which contains the other MR drive. For more information on installing the UDF Reader program, go to "Installing the UDF reader software for Windows 95, Windows 98, Windows Me, Windows 2000, and Windows NT 4.0" on page 1-10.
4. Verify that you are not attempting to write the disc under extreme environmental conditions such as the following:
  - low temperature: 5° C (41° F) or below
  - high temperature: 45° C (113 °F) or above
  - excessive shock: >0.5 G
  - excessive vibration: >0.1 G
5. Make sure the CD-R disc is "closed." See the recording software help section. A non-closed audio disc cannot be played in your car or home CD player.

## You cannot access the CD-RW drive, or the drive icon does not display (Windows 95 or Windows 98)

If the CD-RW drive has been properly installed, there will be an icon for the drive in the My Computer window. If you double-click the **My Computer** icon and there is no drive icon present in the displayed window, make sure that the drive has been properly installed, and that the configuration jumper has been correctly set. For more information, see "Step 4. Setting the configuration jumper" on page 1-7. Next, restart your system. If a drive icon is still not found, continue with the following steps.

1. Click **Start**, and then select **Settings**. The Settings window opens.
2. Click **Control Panel**.
3. Click **System**.
4. Click the **Device Manager** tab.
5. Double-click **View Devices by Type**.
  - a. Click **Hard Disk Controller** on the Device Manager list. Make sure that there are no conflicts with the controller. Be sure that the device status indicates that the controller is working properly.

- b. Select **CD-RW** from the Device Manager list. Verify that there is a CD-RW device and that no conflicts exist. The device status will indicate that the device is working properly.
6. Click **OK**.
7. Restart the computer.

If the device icon is still not present, check cable connections, device jumper settings, and resolve any existing conflicts.

### **The CD cannot be read.**

Take the following actions:

1. The CD might be dirty; clean it as described in “Handling and caring for a CD” on page 1-11.
2. The CD might be defective; try another CD.
3. The CD is not ISO-9660- or High Sierra Group-compatible. Check with your place of purchase.

### **There is no sound from the CD.**

Take the following actions:

1. Check that you are using an audio CD and not a data CD.
2. Adjust the volume control on the drive. See “Front view of the drive” on page 1-4 to locate the volume control if you have connected headphones to the front of the drive.
3. Adjust the sound-adaptor volume control. See the documentation that comes with your sound adapter and audio-CD player program.
4. Turn off the computer, unplug the cables from the electrical outlets for your computer and all attached devices, and remove the computer cover. Check that the audio-signal cable connects the 12x8x32x CD-RW drive to the sound adapter.

### **Your screen displays an error message.**

Take the following actions for two common error messages.

- **CDR-101**
  - This message displays when you try to access the CD-RW drive before the drive is ready. The busy indicator lights when you attempt to access the drive after loading a CD into the CD tray. Wait until the busy indicator goes off before attempting to read the drive.
- **CDR-103**
  - The CD in the CD-RW drive is not a High Sierra Group- or ISO 9660-compatible format. The CD-RW drive does not support this format.

## The connectors on the audio cables provided do not fit the connector on your audio adapter.

Some audio adapters might require a special cable. See the documentation that comes with your sound adapter.

You might have to purchase separately an audio cable for the 12x8x32x CD-RW drive. The audio-out connector on the 12x8x32x CD-RW drive requires a MPC-2 compliant Molex 70553 or equivalent connector. (To locate the drive audio connector, refer to “Back view of the drive” on page 1-4.) If you are using an IBM computer or IBM sound adapter, refer to “Appendix D. Help and service information” on page D-1 for assistance.

## You get “buffer underrun” error messages when copying CDs or making data CDs.

Take the following actions:

- If the file source is a network or removable device, copy the files to the local hard disk first.
- If using CD copier, select **Advanced** and check the **Copy to Hard Disk** option.
- Try reducing the write speed to 8x, 6x, 4x, or 2x.
- Make sure the source and target drives are being operated in DMA mode. See “Appendix C. Customizing the device-driver configuration settings” on page C-1 for more information.



---

## Appendix C. Customizing the device-driver configuration settings

---

### Changing the Windows 95, Windows 98, and Windows Me device drivers

Windows 95, Windows 98, and Windows Me have two device-driver configuration parameters: Auto Insert Notify and DMA.

The Auto Insert Notify parameter enables the computer to start audio CD software as soon as a CD is inserted into the CD-RW drive.

The DMA parameter improves computer performance by having the computer DMA controller handle moving data from the CD to memory, freeing the computer microprocessor to perform more important tasks. For example, activating DMA might make movies and games run more smoothly because the microprocessor will be allocating more processing time to video.

### Changing the Auto Insert Notify and DMA parameters

To change these parameter settings from the Windows 95, Windows 98, or Windows Me desktop:

1. Click **Start --> Settings --> Control Panel**.
2. Double-click **System**.
3. Select **Device Manager**.
4. Double-click **CD-ROM**.
5. Click **Properties**.
6. Select **Settings**.
7. Click **Auto Insert Notification** or **DMA**.
8. Click **OK**.

### Changing the Windows 2000 DMA parameter setting

To change the DMA parameter setting for Windows 2000, do the following:

1. Select **Start-->Settings-->Control Panel**.
2. Double-click **System**.
3. Click the **Hardware** tab.
4. Click **Device Manager**.
5. Click on the IDE ATA/ATAPI controller to open up the tree.
6. Double-click the device that corresponds to your CD-ROM port. It is either "Primary IDE" or "Secondary IDE."
7. Click the **Advanced Settings** tab.
8. Select the **Transfer Mode** pull-down and select **DMA** if available.

9. Click **OK**.
10. Click **Close** to close the System Properties window. A message is displayed, informing you that the system settings have changed.
11. Click **OK** to restart the computer.

## Enabling DMA for Windows NT 4.0

Enabling DMA for Windows NT 4.0 requires installing a DMA bus master IDE controller driver. This may have been installed at the factory, or you may have to install it yourself. To determine if an IDE Bus Mastering driver is installed, follow these steps:

1. Log on as an administrator.
2. Double-click **My Computer**.
3. Click **Start**.
4. Select **Settings**.
5. Click **Control Panel**.
6. Double-click **Devices**.
7. Select the ATAPI device.
8. If the status is 'Started', you do not have a DMA bus master IDE controller driver installed.

If your computer does not have an DMA bus master IDE controller driver, you must go to the Web site for the manufacturer of the system board in your computer, and download and install the Windows NT 4.0 DMA device driver. The instructions for installing the driver are provided on the manufacturer's Web site.

**Note:** Carefully read the instruction that come with your driver. Some versions of Bus Master drivers do not support CD recordable devices.

The following is a list of manufacturer Web sites that contain Windows NT 4.0 DMA device drivers for system boards:

- IBM: <http://www.ibm.com>
- Intel: <http://www.intel.com>
- VIA: <http://via.com.tw>
- ALi: <http://ali.com.tw>

---

## Appendix D. Help and service information

This section contains information on how to obtain online and telephone technical support.

---

### Online technical support

Online technical support is available during the life of your product. Online assistance can be obtained through the Personal Computing Support Web site and the IBM Automated Fax System.

<i>Online technical support</i>	
IBM Personal Computing Support Web site	<a href="http://www.ibm.com/pc/support">http://www.ibm.com/pc/support</a>
IBM Automated Fax System	1-800-426-3395 (U.S. and Canada)

During the warranty period, assistance for replacement or exchange of defective components is available. In addition, if your IBM option is installed in an IBM computer, you might be entitled to service at your location. Your technical support representative can help you determine the best alternative.

---

### Telephone technical support

Installation and configuration support through the HelpCenter will be withdrawn or made available for a fee, at IBM's discretion, 90 days after the option has been withdrawn from marketing. Additional support offerings, including step-by-step installation assistance, are available for a nominal fee.

To assist the technical support representative, have available as much of the following information as possible:

- Option name
- Option number
- Proof of purchase
- Computer manufacturer, model, serial number (if IBM), and manual
- Exact wording of the error message (if any)
- Description of the problem
- Hardware and software configuration information for your system

If possible, be at your computer. Your technical support representative might want to walk you through the problem during the call.

For the support telephone number and support hours by country, refer to the following table or to the enclosed technical support insert. Support phone numbers are also available by clicking **HelpCenter phone list** on the IBM support Web page at

<http://www.ibm.com/pc/support>

If the number is not provided, contact your IBM reseller or IBM marketing representative. Response time may vary depending on the number and nature of the calls received.

<i>Support 24 hours a day, 7 days a week</i>	
Canada (Toronto only)	416-383-3344
Canada (all other)	1-800-565-3344
U.S.A. and Puerto Rico	1-800-772-2227



---

## Appendix E. Product warranties and notices

This section contains the warranty, notices, and trademark information.

---

### Warranty Statements

The warranty statements consist of two parts: Part 1 and Part 2. Part 1 varies by country. Part 2 is the same for both statements. Be sure to read both the Part 1 that applies to your country and Part 2.

- **United States, Puerto Rico, and Canada (Z125-4753-05 11/97)** (see “IBM Statement of Limited Warranty for United States, Puerto Rico, and Canada (Part 1 - General Terms)”)
- **Worldwide except Canada, Puerto Rico, Turkey, and United States (Z125-5697-01 11/97)** (see “IBM Statement of Warranty Worldwide except Canada, Puerto Rico, Turkey, United States (Part 1 - General Terms)” on page E-5)
- **Worldwide Country-Unique Terms** (see “Part 2 - Worldwide Country-Unique Terms” on page E-8)

---

### IBM Statement of Limited Warranty for United States, Puerto Rico, and Canada (Part 1 - General Terms)

*This Statement of Warranty includes Part 1 - General Terms and Part 2 - Country-unique Terms. The terms of Part 2 may replace or modify those of Part 1. The warranties provided by IBM in this Statement of Warranty apply only to Machines you purchase for your use, and not for resale, from IBM or your reseller. The term "Machine" means an IBM machine, its features, conversions, upgrades, elements, or accessories, or any combination of them. The term "Machine" does not include any software programs, whether pre-loaded with the Machine, installed subsequently or otherwise. Unless IBM specifies otherwise, the following warranties apply only in the country where you acquire the Machine. Nothing in this Statement of Warranty affects any statutory rights of consumers that cannot be waived or limited by contract. If you have any questions, contact IBM or your reseller.*

**Machine** - 12x8x32 Internal IDE CD-RW Drive

**Warranty period\*** - One (1) year

*\* Contact your place of purchase for warranty service information. Some IBM Machines are eligible for on-site warranty service depending on the country where service is performed.*

### The IBM Warranty for Machines

IBM warrants that each Machine 1) is free from defects in materials and workmanship and 2) conforms to IBM's Official Published Specifications. The

warranty period for a Machine is a specified, fixed period commencing on its Date of Installation. The date on your sales receipt is the Date of Installation, unless IBM or your reseller informs you otherwise.

During the warranty period IBM or your reseller, if approved by IBM to provide warranty service, will provide repair and exchange service for the Machine, without charge, under the type of service designated for the Machine and will manage and install engineering changes that apply to the Machine.

If a Machine does not function as warranted during the warranty period, and IBM or your reseller are unable to either 1) make it do so or 2) replace it with one that is at least functionally equivalent, you may return it to your place of purchase and your money will be refunded. The replacement may not be new, but will be in good working order.

### **Extent of Warranty**

The warranty does not cover the repair or exchange of a Machine resulting from misuse, accident, modification, unsuitable physical or operating environment, improper maintenance by you, or failure caused by a product for which IBM is not responsible. The warranty is voided by removal or alteration of Machine or parts identification labels.

**THESE WARRANTIES ARE YOUR EXCLUSIVE WARRANTIES AND REPLACE ALL OTHER WARRANTIES OR CONDITIONS, EXPRESS OR IMPLIED, INCLUDING, BUT NOT LIMITED TO, THE IMPLIED WARRANTIES OR CONDITIONS OF MERCHANTABILITY AND FITNESS FOR A PARTICULAR PURPOSE. THESE WARRANTIES GIVE YOU SPECIFIC LEGAL RIGHTS AND YOU MAY ALSO HAVE OTHER RIGHTS WHICH VARY FROM JURISDICTION TO JURISDICTION. SOME JURISDICTIONS DO NOT ALLOW THE EXCLUSION OR LIMITATION OF EXPRESS OR IMPLIED WARRANTIES, SO THE ABOVE EXCLUSION OR LIMITATION MAY NOT APPLY TO YOU. IN THAT EVENT, SUCH WARRANTIES ARE LIMITED IN DURATION TO THE WARRANTY PERIOD. NO WARRANTIES APPLY AFTER THAT PERIOD.**

### **Items Not Covered by Warranty**

IBM does not warrant uninterrupted or error-free operation of a Machine.

Unless specified otherwise, IBM provides non-IBM machines **WITHOUT WARRANTIES OF ANY KIND.**

Any technical or other support provided for a Machine under warranty, such as assistance via telephone with “how-to” questions and those regarding Machine set-up and installation, will be provided **WITHOUT WARRANTIES OF ANY KIND.**

### **Warranty Service**

To obtain warranty service for the Machine, contact your reseller or IBM. In the United States, call IBM at 1-800-772-2227. In Canada, call IBM at 1-800-565-3344. (In Toronto, call 416-383-3344.) You may be required to present proof of purchase.

IBM or your reseller provides certain types of repair and exchange service, either at your location or at a service center, to keep Machines in, or restore them to, conformance with their Specifications. IBM or your reseller will inform you of the available types of service for a Machine based on its country of installation. IBM may repair the failing Machine or exchange it at its discretion.

When warranty service involves the exchange of a Machine or part, the item IBM or your reseller replaces becomes its property and the replacement becomes yours. You represent that all removed items are genuine and unaltered. The replacement may not be new, but will be in good working order and at least functionally equivalent to the item replaced. The replacement assumes the warranty service status of the replaced item.

Any feature, conversion, or upgrade IBM or your reseller services must be installed on a Machine which is 1) for certain Machines, the designated, serial-numbered Machine and 2) at an engineering-change level compatible with the feature, conversion, or upgrade. Many features, conversions, or upgrades involve the removal of parts and their return to IBM. A part that replaces a removed part will assume the warranty service status of the removed part.

Before IBM or your reseller exchanges a Machine or part, you agree to remove all features, parts, options, alterations, and attachments not under warranty service.

You also agree to

1. ensure that the Machine is free of any legal obligations or restrictions that prevent its exchange;
2. obtain authorization from the owner to have IBM or your reseller service a Machine that you do not own; and
3. where applicable, before service is provided
  - a. follow the problem determination, problem analysis, and service request procedures that IBM or your reseller provides,

- b. secure all programs, data, and funds contained in a Machine,
- c. provide IBM or your reseller with sufficient, free, and safe access to your facilities to permit them to fulfill their obligations, and
- d. inform IBM or your reseller of changes in a Machine's location.

IBM is responsible for loss of, or damage to, your Machine while it is 1) in IBM's possession or 2) in transit in those cases where IBM is responsible for the transportation charges.

Neither IBM nor your reseller is responsible for any of your confidential, proprietary or personal information contained in a Machine which you return to IBM or your reseller for any reason. You should remove all such information from the Machine prior to its return.

### **Production Status**

Each IBM Machine is manufactured from new parts, or new and used parts. In some cases, the Machine may not be new and may have been previously installed. Regardless of the Machine's production status, IBM's appropriate warranty terms apply.

### **Limitation of Liability**

Circumstances may arise where, because of a default on IBM's part or other liability, you are entitled to recover damages from IBM. In each such instance, regardless of the basis on which you are entitled to claim damages from IBM (including fundamental breach, negligence, misrepresentation, or other contract or tort claim), IBM is liable for no more than

- 1. damages for bodily injury (including death) and damage to real property and tangible personal property; and
- 2. the amount of any other actual direct damages, up to the greater of U.S. \$100,000 (or equivalent in local currency) or the charges (if recurring, 12 months' charges apply) for the Machine that is the subject of the claim.

This limit also applies to IBM's suppliers and your reseller. It is the maximum for which IBM, its suppliers, and your reseller are collectively responsible.

**UNDER NO CIRCUMSTANCES IS IBM LIABLE FOR ANY OF THE FOLLOWING: 1) THIRD-PARTY CLAIMS AGAINST YOU FOR DAMAGES (OTHER THAN THOSE UNDER THE FIRST ITEM LISTED ABOVE); 2) LOSS OF, OR DAMAGE TO, YOUR RECORDS OR DATA; OR 3) SPECIAL, INCIDENTAL, OR INDIRECT DAMAGES OR FOR ANY ECONOMIC CONSEQUENTIAL DAMAGES (INCLUDING LOST PROFITS OR SAVINGS), EVEN IF IBM, ITS SUPPLIERS OR YOUR RESELLER IS INFORMED OF THEIR POSSIBILITY. SOME JURISDICTIONS DO NOT**

ALLOW THE EXCLUSION OR LIMITATION OF INCIDENTAL OR CONSEQUENTIAL DAMAGES, SO THE ABOVE LIMITATION OR EXCLUSION MAY NOT APPLY TO YOU.

---

## **IBM Statement of Warranty Worldwide except Canada, Puerto Rico, Turkey, United States (Part 1 - General Terms)**

*This Statement of Warranty includes Part 1 - General Terms and Part 2 - Country-unique Terms. The terms of Part 2 may replace or modify those of Part 1. The warranties provided by IBM in this Statement of Warranty apply only to Machines you purchase for your use, and not for resale, from IBM or your reseller. The term "Machine" means an IBM machine, its features, conversions, upgrades, elements, or accessories, or any combination of them. The term "Machine" does not include any software programs, whether pre-loaded with the Machine, installed subsequently or otherwise. Unless IBM specifies otherwise, the following warranties apply only in the country where you acquire the Machine. Nothing in this Statement of Warranty affects any statutory rights of consumers that cannot be waived or limited by contract. If you have any questions, contact IBM or your reseller.*

**Machine** - 12x8x32 Internal IDE CD-RW Drive

**Warranty period\*** - One (1) year

*\* Contact your place of purchase for warranty service information. Some IBM Machines are eligible for on-site warranty service depending on the country where service is performed.*

### **The IBM Warranty for Machines**

IBM warrants that each Machine 1) is free from defects in materials and workmanship and 2) conforms to IBM's Official Published Specifications. The warranty period for a Machine is a specified, fixed period commencing on its Date of Installation. The date on your sales receipt is the Date of Installation, unless IBM or your reseller informs you otherwise.

During the warranty period IBM or your reseller, if approved by IBM to provide warranty service, will provide repair and exchange service for the Machine, without charge, under the type of service designated for the Machine and will manage and install engineering changes that apply to the Machine.

If a Machine does not function as warranted during the warranty period, and IBM or your reseller are unable to either 1) make it do so or 2) replace it with one that is at least functionally equivalent, you may return it to your place of purchase and your money will be refunded. The replacement may not be new, but will be in good working order.

### **Extent of Warranty**

The warranty does not cover the repair or exchange of a Machine resulting from misuse, accident, modification, unsuitable physical or operating environment, improper maintenance by you, or failure caused by a product for which IBM is not responsible. The warranty is voided by removal or alteration of Machine or parts identification labels.

**THESE WARRANTIES ARE YOUR EXCLUSIVE WARRANTIES AND REPLACE ALL OTHER WARRANTIES OR CONDITIONS, EXPRESS OR IMPLIED, INCLUDING, BUT NOT LIMITED TO, THE IMPLIED WARRANTIES OR CONDITIONS OF MERCHANTABILITY AND FITNESS FOR A PARTICULAR PURPOSE. THESE WARRANTIES GIVE YOU SPECIFIC LEGAL RIGHTS AND YOU MAY ALSO HAVE OTHER RIGHTS WHICH VARY FROM JURISDICTION TO JURISDICTION. SOME JURISDICTIONS DO NOT ALLOW THE EXCLUSION OR LIMITATION OF EXPRESS OR IMPLIED WARRANTIES, SO THE ABOVE EXCLUSION OR LIMITATION MAY NOT APPLY TO YOU. IN THAT EVENT, SUCH WARRANTIES ARE LIMITED IN DURATION TO THE WARRANTY PERIOD. NO WARRANTIES APPLY AFTER THAT PERIOD.**

### **Items Not Covered by Warranty**

IBM does not warrant uninterrupted or error-free operation of a Machine.

Unless specified otherwise, IBM provides non-IBM machines **WITHOUT WARRANTIES OF ANY KIND.**

Any technical or other support provided for a Machine under warranty, such as assistance via telephone with "how-to" questions and those regarding Machine set-up and installation, will be provided **WITHOUT WARRANTIES OF ANY KIND.**

### **Warranty Service**

To obtain warranty service for the Machine, contact your reseller or IBM. You may be required to present proof of purchase.

IBM or your reseller provides certain types of repair and exchange service, either at your location or at a service center, to keep Machines in, or restore them to, conformance with their Specifications. IBM or your reseller will inform you of the available types of service for a Machine based on its country of installation. IBM may repair the failing Machine or exchange it at its discretion.

When warranty service involves the exchange of a Machine or part, the item IBM or your reseller replaces becomes its property and the replacement becomes yours. You represent that all removed items are genuine and

unaltered. The replacement may not be new, but will be in good working order and at least functionally equivalent to the item replaced. The replacement assumes the warranty service status of the replaced item.

Any feature, conversion, or upgrade IBM or your reseller services must be installed on a Machine which is 1) for certain Machines, the designated, serial-numbered Machine and 2) at an engineering-change level compatible with the feature, conversion, or upgrade. Many features, conversions, or upgrades involve the removal of parts and their return to IBM. A part that replaces a removed part will assume the warranty service status of the removed part.

Before IBM or your reseller exchanges a Machine or part, you agree to remove all features, parts, options, alterations, and attachments not under warranty service.

You also agree to

1. ensure that the Machine is free of any legal obligations or restrictions that prevent its exchange;
2. obtain authorization from the owner to have IBM or your reseller service a Machine that you do not own; and
3. where applicable, before service is provided
  - a. follow the problem determination, problem analysis, and service request procedures that IBM or your reseller provides,
  - b. secure all programs, data, and funds contained in a Machine,
  - c. provide IBM or your reseller with sufficient, free, and safe access to your facilities to permit them to fulfill their obligations, and
  - d. inform IBM or your reseller of changes in a Machine's location.

IBM is responsible for loss of, or damage to, your Machine while it is 1) in IBM's possession or 2) in transit in those cases where IBM is responsible for the transportation charges.

Neither IBM nor your reseller is responsible for any of your confidential, proprietary or personal information contained in a Machine which you return to IBM or your reseller for any reason. You should remove all such information from the Machine prior to its return.

### **Production Status**

Each IBM Machine is manufactured from new parts, or new and used parts. In some cases, the Machine may not be new and may have been previously installed. Regardless of the Machine's production status, IBM's appropriate warranty terms apply.

### **Limitation of Liability**

Circumstances may arise where, because of a default on IBM's part or other liability, you are entitled to recover damages from IBM. In each such instance, regardless of the basis on which you are entitled to claim damages from IBM (including fundamental breach, negligence, misrepresentation, or other contract or tort claim), IBM is liable for no more than

1. damages for bodily injury (including death) and damage to real property and tangible personal property; and
2. the amount of any other actual direct damages, up to the greater of U.S. \$100,000 (or equivalent in local currency) or the charges (if recurring, 12 months' charges apply) for the Machine that is the subject of the claim.

This limit also applies to IBM's suppliers and your reseller. It is the maximum for which IBM, its suppliers, and your reseller are collectively responsible.

**UNDER NO CIRCUMSTANCES IS IBM LIABLE FOR ANY OF THE FOLLOWING: 1) THIRD-PARTY CLAIMS AGAINST YOU FOR DAMAGES (OTHER THAN THOSE UNDER THE FIRST ITEM LISTED ABOVE); 2) LOSS OF, OR DAMAGE TO, YOUR RECORDS OR DATA; OR 3) SPECIAL, INCIDENTAL, OR INDIRECT DAMAGES OR FOR ANY ECONOMIC CONSEQUENTIAL DAMAGES (INCLUDING LOST PROFITS OR SAVINGS), EVEN IF IBM, ITS SUPPLIERS OR YOUR RESELLER IS INFORMED OF THEIR POSSIBILITY. SOME JURISDICTIONS DO NOT ALLOW THE EXCLUSION OR LIMITATION OF INCIDENTAL OR CONSEQUENTIAL DAMAGES, SO THE ABOVE LIMITATION OR EXCLUSION MAY NOT APPLY TO YOU.**

---

## **Part 2 - Worldwide Country-Unique Terms**

### **ASIA PACIFIC**

**AUSTRALIA: The IBM Warranty for Machines:** The following paragraph is added to this Section: The warranties specified in this Section are in addition to any rights you may have under the Trade Practices Act 1974 or other legislation and are only limited to the extent permitted by the applicable legislation.

**Extent of Warranty:** The following replaces the first and second sentences of this Section: The warranty does not cover the repair or exchange of a Machine resulting from misuse, accident, modification, unsuitable physical or operating environment, operation in other than the Specified Operating Environment, improper maintenance by you, or failure caused by a product for which IBM is not responsible.

**Limitation of Liability:** The following is added to this Section: Where IBM is in breach of a condition or warranty implied by the Trade Practices Act 1974, IBM's liability is limited to the repair or replacement of the goods or the



supply of equivalent goods. Where that condition or warranty relates to right to sell, quiet possession or clear title, or the goods are of a kind ordinarily acquired for personal, domestic or household use or consumption, then none of the limitations in this paragraph apply.

**PEOPLE'S REPUBLIC OF CHINA: Governing Law:** The following is added to this Statement: The laws of the State of New York govern this Statement.

**INDIA: Limitation of Liability:** The following replaces items 1 and 2 of this Section:

1. liability for bodily injury (including death) or damage to real property and tangible personal property will be limited to that caused by IBM's negligence;
2. as to any other actual damage arising in any situation involving nonperformance by IBM pursuant to, or in any way related to the subject of this Statement of Warranty, IBM's liability will be limited to the charge paid by you for the individual Machine that is the subject of the claim.

**NEW ZEALAND: The IBM Warranty for Machines:** The following paragraph is added to this Section: The warranties specified in this Section are in addition to any rights you may have under the Consumer Guarantees Act 1993 or other legislation which cannot be excluded or limited. The Consumer Guarantees Act 1993 will not apply in respect of any goods which IBM provides, if you require the goods for the purposes of a business as defined in that Act.

**Limitation of Liability:** The following is added to this Section: Where Machines are not acquired for the purposes of a business as defined in the Consumer Guarantees Act 1993, the limitations in this Section are subject to the limitations in that Act.

## **EUROPE, MIDDLE EAST, AFRICA (EMEA)**

**The following terms apply to all EMEA countries.**

The terms of this Statement of Warranty apply to Machines purchased from an IBM reseller. If you purchased this Machine from IBM, the terms and conditions of the applicable IBM agreement prevail over this warranty statement.

### **Warranty Service**

If you purchased an IBM Machine in Austria, Belgium, Denmark, Estonia, Finland, France, Germany, Greece, Iceland, Ireland, Italy, Latvia, Lithuania, Luxembourg, Netherlands, Norway, Portugal, Spain, Sweden, Switzerland or

United Kingdom, you may obtain warranty service for that Machine in any of those countries from either (1) an IBM reseller approved to perform warranty service or (2) from IBM.

If you purchased an IBM Personal Computer Machine in Albania, Armenia, Belarus, Bosnia and Herzegovina, Bulgaria, Croatia, Czech Republic, Georgia, Hungary, Kazakhstan, Kirghizia, Federal Republic of Yugoslavia, Former Yugoslav Republic of Macedonia (FYROM), Moldova, Poland, Romania, Russia, Slovak Republic, Slovenia, or Ukraine, you may obtain warranty service for that Machine in any of those countries from either (1) an IBM reseller approved to perform warranty service or (2) from IBM.

The applicable laws, Country-unique terms and competent court for this Statement are those of the country in which the warranty service is being provided. However, the laws of Austria govern this Statement if the warranty service is provided in Albania, Armenia, Belarus, Bosnia and Herzegovina, Bulgaria, Croatia, Czech Republic, Federal Republic of Yugoslavia, Georgia, Hungary, Kazakhstan, Kirghizia, Former Yugoslav Republic of Macedonia (FYROM), Moldova, Poland, Romania, Russia, Slovak Republic, Slovenia, and Ukraine.

**The following terms apply to the country specified:**

**EGYPT: Limitation of Liability:** The following replaces item 2 in this Section: 2. as to any other actual direct damages, IBM's liability will be limited to the total amount you paid for the Machine that is the subject of the claim.

Applicability of suppliers and resellers (unchanged).

**FRANCE: Limitation of Liability:** The following replaces the second sentence of the first paragraph of this Section: In such instances, regardless of the basis on which you are entitled to claim damages from IBM, IBM is liable for no more than: (items 1 and 2 unchanged).

**GERMANY: The IBM Warranty for Machines:** The following replaces the first sentence of the first paragraph of this Section: The warranty for an IBM Machine covers the functionality of the Machine for its normal use and the Machine's conformity to its Specifications.

The following paragraphs are added to this Section: The minimum warranty period for Machines is six months.

In case IBM or your reseller are unable to repair an IBM Machine, you can alternatively ask for a partial refund as far as justified by the reduced value of the unrepaired Machine or ask for a cancellation of the respective agreement for such Machine and get your money refunded.

**Extent of Warranty:** The second paragraph does not apply.

**Warranty Service:** The following is added to this Section: During the warranty period, transportation for delivery of the failing Machine to IBM will be at IBM's expense.

**Production Status:** The following paragraph replaces this Section: Each Machine is newly manufactured. It may incorporate in addition to new parts, re-used parts as well.

**Limitation of Liability:** The following is added to this Section: The limitations and exclusions specified in the Statement of Warranty will not apply to damages caused by IBM with fraud or gross negligence and for express warranty.

In item 2, replace "U.S. \$100,000" with "1.000.000 DEM."

The following sentence is added to the end of the first paragraph of item 2: IBM's liability under this item is limited to the violation of essential contractual terms in cases of ordinary negligence.

**IRELAND: Extent of Warranty:** The following is added to this Section: Except as expressly provided in these terms and conditions, all statutory conditions, including all warranties implied, but without prejudice to the generality of the foregoing all warranties implied by the Sale of Goods Act 1893 or the Sale of Goods and Supply of Services Act 1980 are hereby excluded.

**Limitation of Liability:** The following replaces items one and two of the first paragraph of this Section: 1. death or personal injury or physical damage to your real property solely caused by IBM's negligence; and 2. the amount of any other actual direct damages, up to the greater of Irish Pounds 75,000 or 125 percent of the charges (if recurring, the 12 months' charges apply) for the Machine that is the subject of the claim or which otherwise gives rise to the claim.

Applicability of suppliers and resellers (unchanged).

The following paragraph is added at the end of this Section: IBM's entire liability and your sole remedy, whether in contract or in tort, in respect of any default shall be limited to damages.

**ITALY: Limitation of Liability:** The following replaces the second sentence in the first paragraph: In each such instance unless otherwise provided by mandatory law, IBM is liable for no more than: (item 1 unchanged) 2) as to any other actual damage arising in all situations involving non-performance by

IBM pursuant to, or in any way related to the subject matter of this Statement of Warranty, IBM's liability, will be limited to the total amount you paid for the Machine that is the subject of the claim.

Applicability of suppliers and resellers (unchanged).

The following replaces the second paragraph of this Section: Unless otherwise provided by mandatory law, IBM and your reseller are not liable for any of the following: (items 1 and 2 unchanged) 3) indirect damages, even if IBM or your reseller is informed of their possibility.

#### **SOUTH AFRICA, NAMIBIA, BOTSWANA, LESOTHO AND SWAZILAND:**

**Limitation of Liability:** The following is added to this Section: IBM's entire liability to you for actual damages arising in all situations involving nonperformance by IBM in respect of the subject matter of this Statement of Warranty will be limited to the charge paid by you for the individual Machine that is the subject of your claim from IBM.

**TURKIYE: Production Status:** The following replaces this Section: IBM fulfills customer orders for IBM Machines as newly manufactured in accordance with IBM's production standards.

**UNITED KINGDOM: Limitation of Liability:** The following replaces items 1 and 2 of the first paragraph of this Section:

1. death or personal injury or physical damage to your real property solely caused by IBM's negligence;
2. the amount of any other actual direct damages or loss, up to the greater of Pounds Sterling 150,000 or 125 percent of the charges (if recurring, the 12 months' charges apply) for the Machine that is the subject of the claim or which otherwise gives rise to the claim.

The following item is added to this paragraph: 3. breach of IBM's obligations implied by Section 12 of the Sale of Goods Act 1979 or Section 2 of the Supply of Goods and Services Act 1982.

Applicability of suppliers and resellers (unchanged).

The following is added to the end of this Section: IBM's entire liability and your sole remedy, whether in contract or in tort, in respect of any default will be limited to damages.

#### **NORTH AMERICA**

**CANADA: Warranty Service:** The following is added to this section: To obtain warranty service from IBM, call **1-800-565-3344**. In Toronto, call **416-383-3344**.

**UNITED STATES OF AMERICA: Warranty Service:** The following is added to this section: To obtain warranty service from IBM, call **1-800-772-2227**.

---

## Notices

This publication was developed for products and services offered in the U.S.A.

IBM may not offer the products, services, or features discussed in this document in other countries. Consult your local IBM representative for information on the products and services currently available in your area. Any reference to an IBM product, program, or service is not intended to state or imply that only that IBM product, program, or service may be used. Any functionally equivalent product, program, or service that does not infringe any IBM intellectual property right may be used instead. However, it is the user's responsibility to evaluate and verify the operation of any non-IBM product, program, or service.

IBM may have patents or pending patent applications covering subject matter described in this document. The furnishing of this document does not give you any license to these patents. You can send license inquiries, in writing, to:

*IBM Director of Licensing  
IBM Corporation  
North Castle Drive  
Armonk, NY 10504-1785  
U.S.A.*

**The following paragraph does not apply to the United Kingdom or any country where such provisions are inconsistent with local law:**

INTERNATIONAL BUSINESS MACHINES CORPORATION PROVIDES THIS PUBLICATION "AS IS" WITHOUT WARRANTY OF ANY KIND, EITHER EXPRESS OR IMPLIED, INCLUDING, BUT NOT LIMITED TO, THE IMPLIED WARRANTIES OF NON-INFRINGEMENT, MERCHANTABILITY OR FITNESS FOR A PARTICULAR PURPOSE. Some states do not allow disclaimer of express or implied warranties in certain transactions, therefore, this statement may not apply to you.

This information could include technical inaccuracies or typographical errors. Changes are periodically made to the information herein; these changes will be incorporated in new editions of the publication. IBM may make improvements and/or changes in the product(s) and/or the program(s) described in this publication at any time without notice.

IBM may use or distribute any of the information you supply in any way it believes appropriate without incurring any obligation to you.

Any performance data contained herein was determined in a controlled environment. Therefore, the result obtained in other operating environments may vary significantly. Some measurements may have been made on development-level systems and there is no guarantee that these measurements will be the same on generally available systems. Furthermore, some measurements may have been estimated through extrapolation. Actual results may vary. Users of this document should verify the applicable data for their specific environment.

---

## Trademarks

The following terms are trademarks of the IBM Corporation in the United States or other countries or both:

IBM

HelpCenter

Microsoft, Windows, and Windows NT are trademarks of the Microsoft Corporation.

Other company, product, and service names may be trademarks or service marks of others.

---

## Federal Communications Commission (FCC) statement

**Note:** This equipment has been tested and found to comply with the limits for a Class B digital device, pursuant to Part 15 of the FCC Rules. These limits are designed to provide reasonable protection against harmful interference in a residential installation. This equipment generates, uses, and can radiate radio frequency energy and, if not installed and used in accordance with the instructions, may cause harmful interference to radio communications. However, there is no guarantee that interference will not occur in a particular installation. If this equipment does cause harmful interference to radio or television reception, which can be determined by turning the equipment off and on, the user is encouraged to try to correct the interference by one or more of the following measures:

- Reorient or relocate the receiving antenna.
- Increase the separation between the equipment and receiver.
- Connect the equipment into an outlet on a circuit different from that to which the receiver is connected.
- Consult an IBM authorized dealer or service representative for help.

Properly shielded and grounded cables and connectors must be used in order to meet FCC emission limits. Proper cables and connectors are available from IBM authorized dealers. IBM is not responsible for any radio or television interference caused by using other than recommended cables and connectors or

by unauthorized changes or modifications to this equipment. Unauthorized changes or modifications could void the user's authority to operate the equipment.

This device complies with Part 15 of the FCC Rules. Operation is subject to the following two conditions: (1) this device may not cause harmful interference, and (2) this device must accept any interference received, including interference that may cause undesired operation.

Responsible party:

International Business Machines Corporation  
New Orchard Road  
Armonk, NY 10504  
Telephone: 1-919-543-2193



**Tested To Comply  
With FCC Standards**

**FOR HOME OR OFFICE USE**

### **Industry Canada Class B emission compliance statement**

This Class B digital apparatus complies with Canadian ICES-003.

### **Avis de conformité a la réglementation d'Industrie Canada**

Cet appareil numérique de classe B est conforme à la norme NMB-003 du Canada.

### **Deutsche EMV-Direktive (electromagnetische Verträglichkeit)**

Dieses Gerät ist berechtigt in Übereinstimmung mit dem deutschen EMVG vom 9.Nov.92 das EG-Konformitätszeichen zu führen.

Der Aussteller der Konformitätserklärung ist die IBM UK, Greenock.

Dieses Gerät erfüllt die Bedingungen der EN 55022 Klasse B.

### **European Union - emission directive**

This product is in conformity with the protection requirements of EU Council Directive 89/366/ECC on the approximation of the laws of the Member States relating to electromagnetic compatibility.

IBM can not accept responsibility for any failure to satisfy the protection requirements resulting from a non-recommended modification of the product, including the fitting of non-IBM option cards.

This product has been tested and found to comply with the limits for Class B Information Technology Equipment according to CISPR 22/European Standard EN 55022. The limits for Class B equipment were derived for typical residential environments to provide reasonable protection against interference with licensed communication devices.

### **Union Européenne - Directive Conformité électromagnétique**

Ce produit est conforme aux exigences de protection de la Directive 89/336/EEC du Conseil de l'UE sur le rapprochement des lois des États membres en matière de compatibilité électromagnétique.

IBM ne peut accepter aucune responsabilité pour le manquement aux exigences de protection résultant d'une modification non recommandée du produit, y compris l'installation de cartes autres que les cartes IBM.

Ce produit a été testé et il satisfait les conditions de l'équipement informatique de Classe B en vertu de CISPR22/Standard européen EN 55022. Les conditions pour l'équipement de Classe B ont été définies en fonction d'un contexte résidentiel ordinaire afin de fournir une protection raisonnable contre l'interférence d'appareils de communication autorisés.

### **Unione Europea - Directiva EMC (Conformidad electromagnética)**

Este producto satisface los requisitos de protección del Consejo de la UE, Directiva 89/336/CEE en lo que a la legislatura de los Estados Miembros sobre compatibilidad electromagnética se refiere.

IBM no puede aceptar responsabilidad alguna si este producto deja de satisfacer dichos requisitos de protección como resultado de una modificación no recomendada del producto, incluyendo el ajuste de tarjetas de opción que no sean IBM.

Este producto ha sido probado y satisface los límites para Equipos Informáticos Clase B de conformidad con el Estándar CISPR22 y el Estándar Europeo EN 55022. Los límites para los equipos de Clase B se han establecido para entornos residenciales típicos a fin de proporcionar una protección razonable contra las interferencias con dispositivos de comunicación licenciados.

### **Union Europea - Normativa EMC**



Questo prodotto è conforme alle normative di protezione ai sensi della Direttiva del Consiglio dell'Unione Europea 89/336/CEE sull'armonizzazione legislativa degli stati membri in materia di compatibilità elettromagnetica.

IBM non accetta responsabilità alcuna per la mancata conformità alle normative di protezione dovuta a modifiche non consigliate al prodotto, compresa l'installazione di schede e componenti di marca diversa da IBM.

Le prove effettuate sul presente prodotto hanno accertato che esso rientra nei limiti stabiliti per le apparecchiature di informatica Classe B ai sensi del CISPR 22/Norma Europea EN 55022. I limiti delle apparecchiature della Classe B sono stati stabiliti al fine di fornire ragionevole protezione da interferenze mediante dispositivi di comunicazione in concessione in ambienti residenziali tipici.

#### Korean B급 규격 증명서

이 장치는 옥내용으로 보증되었으며 모든 환경에서 사용할 수 있습니다.

この装置は、情報処理装置等電波障害自主規制協議会（VCCI）の基準に基づくクラスB情報技術装置です。この装置は、家庭環境で使用することを目的としていますが、この装置がラジオやテレビジョン受信機に近接して使用されると、受信障害を引き起こすことがあります。  
取扱説明書に従って正しい取り扱いをして下さい。







Part Number: 10K3786



Printed in the United States of America  
on recycled paper containing 10%  
recovered post-consumer fiber.

(1P) P/N: 10K3786



## Free Manuals Download Website

<http://myh66.com>

<http://usermanuals.us>

<http://www.somanuals.com>

<http://www.4manuals.cc>

<http://www.manual-lib.com>

<http://www.404manual.com>

<http://www.luxmanual.com>

<http://aubethermostatmanual.com>

Golf course search by state

<http://golfingnear.com>

Email search by domain

<http://emailbydomain.com>

Auto manuals search

<http://auto.somanuals.com>

TV manuals search

<http://tv.somanuals.com>