



8X Slimline DVD-ROM Drive

User's Guide

OPTIONS
by IBM

Note: Before using this information and the product it supports, read the information under “Appendix E. Product warranties and notices” on page E-1.

First Edition (March 2001)

© Copyright International Business Machines Corporation 2001. All rights reserved.
US Government Users Restricted Rights – Use, duplication or disclosure restricted by
GSA ADP Schedule Contract with IBM Corp.

Contents

Safety: Read first	v
About this book	vii
Registering your option	vii
Installation and User's Guide	1-1
Product description	1-1
Installation requirements.	1-1
Before you begin	1-2
Handling precautions.	1-2
Drive controls and connectors	1-3
Installing the drive.	1-3
Step 1. Opening the computer	1-3
Step 2. Unpacking the drive	1-4
Setting up your computer for DVD video playback	1-4
Enabling the DMA settings	1-4
Installing the MPEG-2 decoding software	1-4
Viewing a DVD movie	1-5
DVD region codes	1-5
Using the DVD-RAM Read function	1-6
Using single- and double-sided DVD-RAM media	1-6
Removing the disc from the cartridge	1-6
Precautions for handling.	1-7
Care and maintenance	1-7
Caring for a CD or DVD.	1-7
Caring for the DVD-ROM drive	1-8
Manually ejecting a disc	1-8
Installing the drive in slimline IBM systems	2-1
Power and signal cables for internal drives	2-1
Loading components-small form factor desktop model.	2-2
Installing an optical drive-small form factor desktop model	2-3
Appendix A. Product specifications	A-1
Appendix B. Problem solving	B-1
Appendix C. Customizing the device-driver configuration settings	C-1
Changing the Windows 95, Windows 98, Windows NT 4.0, Windows 2000, and Windows Me device drivers	C-1
Changing the Auto Insert Notify and DMA parameters for Windows 95, Windows 98, and Windows Me	C-1

Changing the Windows 2000 DMA parameter setting C-1
 Enabling DMA for Windows NT 4.0. C-2

Appendix D. Help and service information D-1
 Warranty information on the World Wide Web D-1
 Online technical support D-1
 Telephone technical support D-1

Appendix E. Product warranties and notices E-1
 IBM Statement of Limited Warranty for United States, Puerto Rico, and
 Canada (Part 1 - General Terms) E-1
 IBM Statement of Warranty Worldwide except Canada, Puerto Rico,
 Turkey, United States (Part 1 - General Terms) E-5
 Part 2 - Worldwide Country-Unique Terms E-8
 Notices E-12
 Trademarks. E-13
 Federal Communications Commission (FCC) Statement E-14

Safety: Read first

Before installing this product, read the Safety Information.

مج، يجب قراءة دات السلامة

Antes de instalar este produto, leia as Informações de Segurança.

在安装本产品之前，请仔细阅读 **Safety Information** (安全信息)。

Prije instalacije ovog produkta obavezno pročitajte Sigurnosne Upute.

Před instalací tohoto produktu si přečtete příručku bezpečnostních instrukcí.

Læs sikkerhedsforskrifterne, før du installerer dette produkt.

Ennen kuin asennat tämän tuotteen, lue turvaohjeet kohdasta Safety Information.

Avant d'installer ce produit, lisez les consignes de sécurité.

Vor der Installation dieses Produkts die Sicherheitshinweise lesen.

Πριν εγκαταστήσετε το προϊόν αυτό, διαβάστε τις πληροφορίες ασφάλειας (safety information).

לפני שתתקינו מוצר זה, קראו את הוראות הבטיחות.

A termék telepítése előtt olvassa el a Biztonsági előírásokat!

Prima di installare questo prodotto, leggere le Informazioni sulla Sicurezza.

製品の設置の前に、安全情報をお読みください。

본 제품을 설치하기 전에 안전 정보를 읽으십시오.

Пред да се инсталира овој продукт, прочитајте информацијата за безбедност.

Lees voordat u dit product installeert eerst de veiligheidsvoorschriften.

Les sikkerhetsinformasjonen (Safety Information) før du installerer dette produktet.

Przed zainstalowaniem tego produktu, należy zapoznać się z książką "Informacje dotyczące bezpieczeństwa" (Safety Information).

Antes de instalar este produto, leia as Informações sobre Segurança.

Перед установкой продукта прочтите инструкции по технике безопасности.

Pred inštaláciou tohto zariadenia si pečítajte Bezpečnostné predpisy.

Pred namestitvijo tega proizvoda preberite Varnostne informacije.

Antes de instalar este producto lea la información de seguridad.

Läs säkerhetsinformationen innan du installerar den här produkten.

安裝本產品之前，請先閱讀「安全資訊」。

About this book

This manual contains instructions for installing and using the IBM® 8X Slimline DVD-ROM drive. The manual is divided into the following parts:

Part 1: Installation and User's Guide

This guide contains the product description and installation instructions in the following languages:

- English
- French
- Spanish
- Italian
- Brazilian Portuguese
- Traditional Chinese
- Japanese

Part 2: Appendixes

This section contains device-driver, problem-solving, help and service, warranty, and notice information.

Note: The illustrations in this manual might be slightly different from your hardware.

Registering your option

Thank you for purchasing OPTIONS by IBM. Please take a few moments to register your product and provide us with information that will help IBM to better serve you in the future. Your feedback is valuable to us in developing products and services that are important to you, as well as in developing better ways to communicate with you. Register your option on the IBM Web site at

<http://www.ibm.com/pc/register>

IBM will send you information and updates on your registered product unless you indicate on the Web site questionnaire that you do not want to receive further information.

Installation and User's Guide

This section contains the product description, hardware and software installation instructions, and operating information for the IBM® 8X Slimline DVD-ROM drive.

Product description

This option package is intended for multimedia applications. The drive comes with a CD containing MPEG-2 decoding software for Microsoft® Windows® 95, Windows 98, Microsoft Windows NT® 4.0 Workstation, Microsoft Windows 2000 Professional, and Microsoft Windows Millennium Edition (Me).

In addition to this guide, your option package includes the following:

- IBM 8X Slimline DVD-ROM drive
- One combo cable
- One MPEG-2 software CD
- One Safety Information manual
- *Laser safety guide*

Contact your place of purchase if an item is missing or damaged. Be sure to retain your proof of purchase; it might be required to receive warranty service. See "Appendix D. Help and service information" on page D-1 for technical support information.

Your drive can read many DVD and CD formats, including DVD video, DVD-RAM, video CD, and audio CD formats. However, you must install the included MPEG-2 software to play video files. The drive also reads multiple-session, extended architecture (XA) discs, such as the Kodak Photo CD. This drive delivers data at up to 24 times the standard CD-ROM drive speed (24X), and is designed for installation in a personal computer that has a slimline bay and uses integrated drive electronics (IDE) or enhanced IDE (EIDE) architecture.

Installation requirements

Be sure that your computer meets the following system requirements before installing the drive:

- Minimum microprocessor: Intel® Pentium® 133MHz (for MPEG-2 decoding)
- Minimum RAM: 32 MB
- Windows 95 OSR2, Windows 98, Windows 2000, Windows NT 4.0, or Windows Me
- An available slimline drive bay

- An available IDE connection
 - 40 MB available hard disk space
 - Audio adapter supporting 44.1 or 48 kHz sampling rate
 - Optional stereo speakers
 - AGP 2X video with overlay support (for MPEG-2 decoding)
-

Before you begin

Before you install the DVD-ROM drive, read the information in this section on handling precautions and on using the drive controls and connectors.

Handling precautions

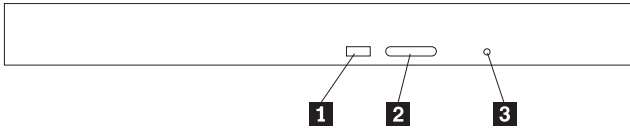
Use the following handling precautions to protect your drive.

- Keep the DVD-ROM drive in the antistatic bag until you are ready to install the drive. Limit your movement when installing; movement can cause static electricity buildup.
- Handle the drive with care. Dropping or jarring the drive can damage the components inside the drive housing.
- Do not force insertion of the combo or power cables. Doing so might damage the connector or the drive.

Drive controls and connectors

The following diagrams show the location and functions of the drive controls and connectors.

Front view of the drive

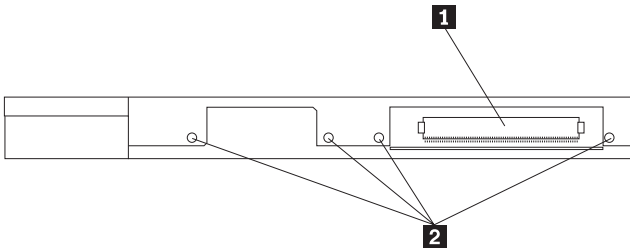


1 Busy indicator: This light comes on when the drive reads from, writes to, or plays a CD.

2 Eject/load button: When pushed, this button opens or closes the CD tray.

3 Manual-eject hole: This hole provides access to the eject mechanism to remove a CD from the drive, when normal procedures do not work.

Rear view of the drive



1 Power/Data connector: This connector provides power to the drive and data signals to the computer

2 Mounting holes: These holes are used to mount the drive into the system.

Installing the drive

Follow these steps to install the DVD-ROM drive:

Step 1. Opening the computer

1. Turn off the computer and all attached devices.
2. Unplug all power cords from the computer and all attached devices.
3. Remove the cover from the computer. Refer to your computer documentation for instructions on removing the computer cover.

Step 2. Unpacking the drive

1. Before opening the antistatic bag that the drive is packed in, touch the bag to an unpainted metal surface for at least two seconds. This drains the static electricity from the package and your body.
2. Remove the drive from the bag.

If you must put the drive down, place the antistatic bag on a flat, padded surface, such as a magazine, and place the drive on the antistatic bag.

Setting up your computer for DVD video playback

This section provides instructions on enabling DMA settings so you can play DVD movies with your DVD-ROM drive. Instructions for enabling DMA are included in “Appendix C. Customizing the device-driver configuration settings” on page C-1

Enabling the DMA settings

To enable the DMA settings, you must first check the operating system for your computer.

1. Click **Start**, click **Settings**, and then click **Control Panel**.
2. Double-click **System**.

Read the version number under System.

- If your version number is 4.00.950B, or 4.00.95C, follow the instructions under “Changing the Auto Insert Notify and DMA parameters for Windows 95, Windows 98, and Windows Me” on page C-1.
- If your version number is 5.00.2195, follow the instructions under “Changing the Windows 2000 DMA parameter setting” on page C-1.
- If your version number is 4.00.1381, follow the instructions under “Enabling DMA for Windows NT 4.0” on page C-2.

Installing the MPEG-2 decoding software

To install the DVD Express, do the following:

1. Close any programs that are running.
2. Insert the DVD Express CD into your DVD-ROM drive.
3. The installation should begin. If it does, go to Step 8. Otherwise, continue with Step 4.
4. Click **Start**.
5. Click **Run**.
6. Type `X:\DVDPLAYR\SETUP.EXE`, where *X* is the drive letter for your DVD-ROM drive.
7. Click **OK**.
8. Follow the on-screen instructions to complete the installation.

Viewing a DVD movie

After you install the DVD-ROM drive, configure DMA, and install DVD Express, you can view a DVD movie.

DVD Express will start automatically when you insert a DVD. If you want to start DVD Express manually, follow these instructions:

1. Click **Start**, then click **Programs**, and then click **Mediamatics DVD Express**.
2. Click **Mediamatics DVD Player**.

The DVD movie player window appears. For more information on how to use the DVD movie player, refer to the DVD Express online help by pressing F1.

DVD region codes

Regional coding helps protect the contents of a DVD. The world is divided into six regions. Specific content can be viewed only in the region where it is appropriate. For example, the content for Region 1 (U.S. and Canada) can be viewed only in the U.S. and Canada. You can verify the region code of the DVD by looking at the region code symbol on the back of the content packaging.

Region code	Region
1	U.S., Canada
2	Europe, Middle East, South Africa, Japan
3	Southeast Asia, Taiwan, Korea
4	Latin America, Australia, New Zealand
5	Former Soviet Union, the rest of Africa, India
6	People's Republic of China

DVD Express will prompt you for the initial region code. If you insert a DVD with a different region code than the initial region code, DVD Express will prompt you to change the region code setting. You can change the region code from your initial setting up to four times after setting the initial region code. After the region code has been changed from its initial setting four times, it is fixed and can no longer be changed. To change the region code, an encrypted DVD of the new region must be in the DVD-ROM drive.

To display the region code status, follow these instructions:

1. In the DVD Express windows, click **DVD Options**.
2. Click **DVD Region**.

Using the DVD-RAM Read function

This section contains information on using the DVD-ROM with DVD-RAM discs.

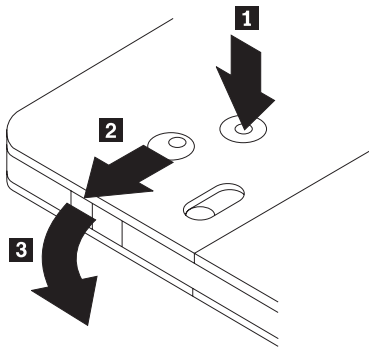
Using single- and double-sided DVD-RAM media

DVD-RAM media is available in single-sided and double-sided versions. Versions with 2.6 GB and 4.7 GB are available in Type I or Type II cartridges. The 5.2 GB and 9.4 GB versions are double-sided and only available only in Type II cartridges. To access the data on both sides of the media, you must remove the cartridge from the drive, turn it over, and re-insert it into the drive. For convenience, double-sided media are labeled side A and side B.

Removing the disc from the cartridge

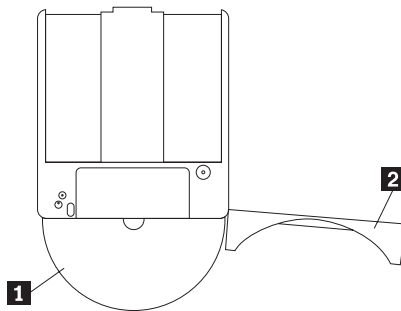
DVD-RAM Type II discs may be removed from the cartridge for use in DVD-ROM drives, with DVD-RAM Read capabilities. DVD-RAM Type I discs cannot be removed from the cartridge and cannot be read by this drive.

Removing the disc from the Type II cartridge



Using the tip of a ball point pen, push and break the lock pin tab **1**. To remove the disc, use a ball point pen to push down on the cartridge lid lock **2** and pull the cartridge lid out to eject the disc. With the cartridge lid **3** open, the disc will eject. Do not touch the recording side of the disc when **handling the bare media**.

Returning the disc to the Type II cartridge



To return the disc to the Type II cartridge, align the label side of the disc **1** with the DVD-RAM cartridge label side. Insert the disc and close the cartridge lid **2**. A clicking sound will ensure the lid door is closed.

Precautions for handling

Be careful when handling the removed disc. Debris, dust particles, fingerprints, smears, or scratches may effect and damage recording and playback of the disc. To clean dust or other debris use a CD Cleaning Kit. Use a soft, dry cloth to clean the disc. Do not use solvents to clean the disc surface. When labeling a disc, write only on the printed label side using a soft felt-tip marker. Keep out of direct sunlight, high temperatures, and humidity. Do not attach labels to either side of the disc.

Care and maintenance

This section includes information on taking care of your DVD-ROM drive and the CDs and DVDs that you use with the drive.

Caring for a CD or DVD

Digital discs are high-density media that must be handled with care and kept clean to ensure that they remain readable. The following precautions help to prolong the life of your discs.

Attention: Wiping a disc using a circular motion can damage the disc and cause data loss.

- Handle the disc by the edges or the center hole. Do not touch the surface of the disc.
- To remove dust or fingerprints, wipe the disc from the center to the edge with a soft, lint-free cloth.
- Do not write on the surface.
- Do not place the disc in direct sunlight.
- Do not use commercial cleaners to clean the disc.

- Do not bend the disc.

Caring for the DVD-ROM drive

To protect your DVD-ROM drive during operation, observe the following precautions:

- Do not move the drive when it is in use. Doing so might cause data error or damage the drive.
- Avoid exposing the drive to the following conditions:
 - High humidity
 - High temperature
 - Excessive dust
 - Mechanical vibration
 - Sudden shock or dropping
 - Placement on an inclined surface
 - Direct sunlight
 - Sudden temperature changes
- Do not insert foreign objects into the drive.
- Do not stack objects on the drive.
- Do not remove the drive cover or attempt to service the drive.
- Remove any discs from the disc drawer and make sure that the drawer is closed before moving the drive unit.
- Keep the original packing materials. If you need to ship the drive unit to a different location, use the original packing materials to ensure that the drive is transported safely.

Manually ejecting a disc

If a drive becomes defective and will not allow the disc to eject, turn off the computer and straighten a large paper clip to form a tool. The straightened end must extend at least 45 mm (1.8 in.). Insert the extended end into the emergency eject hole on the front of the drive (see "Front view of the drive" on page 1-3). Push the paper clip until the tray opens. Gently pull out the tray until you can remove the disc.

Installing the drive in slimline IBM systems

You can extend the capabilities of your computer by adding memory, drives, or adapters. When adding an option, use these instructions along with the instructions that come with the computer.

Power and signal cables for internal drives

Your computer uses cables to connect integrated drive electronics (IDE) drives to the power supply and to the system board. The following cables are provided:

- Four-wire *power cables* connect most drives to the power supply. At the end of these cables are plastic connectors that attach to different drives; these connectors vary in size. Also, certain power cables attach to the system board.
- Flat *signal cables*, also called *ribbon cables*, connect IDE and diskette drives to the system board. There are two sizes of ribbon signal cables that come with your computer:
 - The wider signal cable has two or three connectors.
 - If the cable has three connectors, one of these connectors is attached to the drive, one is a spare, and the third attaches to the primary or secondary IDE connector on the system board.
 - If the cable has two connectors, one of these connectors is attached to the hard disk drive, and the other attaches to the primary or secondary IDE connector on the system board.

Notes:

1. If you want to add another device, and your computer does not come with a CD-ROM preinstalled, you will need a second signal cable with three connectors. You will need an 80-conductor ATA 66 signal cable if you are replacing the existing signal cable or adding a second hard disk. ATA 66 signal cables are color-coded. The blue connector attaches to the system board; the black connector attaches to the master device, and the gray middle connector attaches to the slave device.

If your computer comes with a CD-ROM drive, it will have an ATA 66 signal cable. However, if you are installing a hard disk drive, you must change the switch setting on the CD-ROM drive to secondary and change the connector used for the CD-ROM drive to the gray middle connector.

2. If you are installing a slimline CD-ROM drive in the small form factor desktop model, the IDE cable requires a special connector to

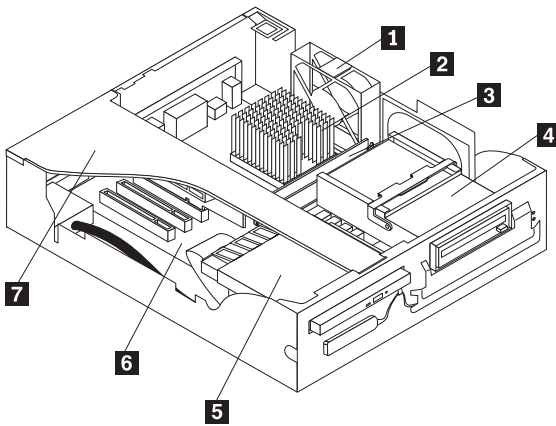
attach to the slimline CD-ROM drive. This connector can be attached only to an optional slimline CD-ROM drive.

- The narrower signal cable has two connectors for attaching the diskette drive to the diskette-drive connector on the system board.

Loading components-small form factor desktop model

The following illustration will help you locate the various components in your computer.

Note: Your system may vary from the illustrations in this section, reference your system user's guide for additional instructions.

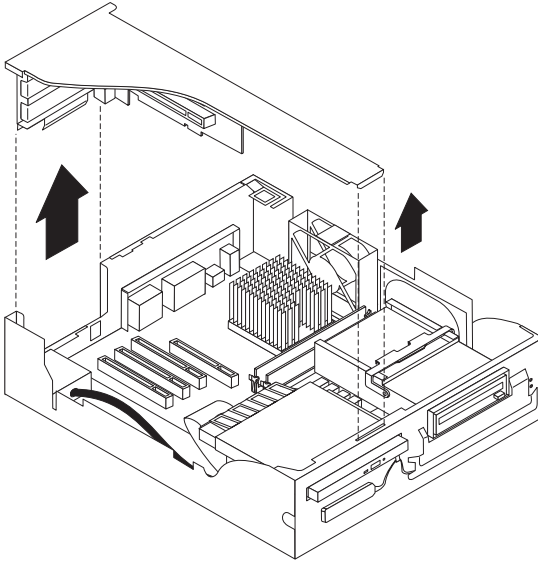


- 1 Fan
- 2 Microprocessor
- 3 DIMM
- 4 Diskette drive
- 5 Slimline CD-ROM drive (some models)
- 6 System board
- 7 Riser card housing

Installing an optical drive-small form factor desktop model

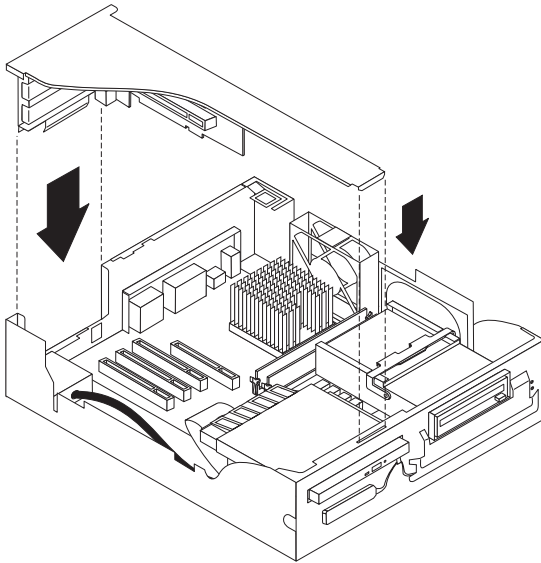
Read the following information first before attempting to install your new optical drive in the system.

1. Remove the cover and all cables. Refer to your system user's guide for details on how to remove cover and cables.
2. Remove the riser card housing and place the housing as shown in the illustration below.



3. Remove the optical drive from its package.
4. Remove the existing optical drive (some models) from the slimline bay. If your system does not have an optical drive, you must remove the blank panel or EMC shield from the front of the slimline bay.
5. Install the optical drive into the slimline bay.
6. Plug the Combo cable into the back of the optical drive. Plug in all three connectors to the system board. Refer to your system user's guide for more details.

7. Replace the riser card housing.



8. Replace the cover and connect the cables. Refer to your system user's guide for details on replacing cover and connector cables.

Appendix A. Product specifications

This appendix includes the following information:

- Physical specifications
- Power requirements
- Environmental requirements
- Drive write/read speeds
- Drive performance
- Format capabilities

Physical specifications

The physical specifications¹ of the 8x4x24 Slimline CD-RW drive are listed in the following table.

<i>Physical specifications:</i>	
Height	12.7 mm (0.5 in.)
Width	128 mm (5.0 in.)
Length	129 mm (5.1 in.)
Weight	245 g (.54 lb.)

Power requirements

The following table lists the power specifications by voltage level for the 8x4x24 Slimline CD-RW drive. The power specifications are measured at the drive power connector and are nominal values.

<i>Power specifications:</i>	
At Voltage	5 V dc
Operational current rating is	1.0 A

1. Product-description data represents IBM's design objectives and is provided for comparative purposes; actual results might vary, based on a variety of factors. This product data does not constitute a warranty. Data is subject to change without notice.

The following table lists the environmental specifications for the Slimline drive. You can mount the drive vertically or horizontally.

<i>Environmental Requirements:</i>		
Specification	Operational	Nonoperational
Temperature (noncondensing)	+5° C to +52° C (+41° F to +125.6° F)	-30° C to +60° C (-22° F to +140° F)
Relative humidity (noncondensing)	15% to 85%	10% to 90%

Media speeds

<i>Drive Write/Read Speeds:</i>	
Function	Supported speed
Read (CD-ROM/CD-R disc)	10X to 24X MAX
Read (CD-RW disc)	5.3X to 12X MAX
Read (DVD-ROM)	3.3X to 8X MAX
Read (DVD-RAM)	2X ZCLV (2.6 GB), 1X ZCLV (4.7 GB)

Media Compatibility

Function	CD-R media compatibility	CD-RW media compatibility
Reads	ALL	ALL

Drive-performance specifications

The following table lists the performance specifications of the Slimline drive.

Note: 1 MB is approximately 1 000 000 bytes of data per second.

<i>Drive performance:</i>	
Feature	Specification
Burst data transfer rate	16.7 MB per second (ATA PIO Mode 4) 16.7 MB per second (ATA multi-word DMA Mode 2) 33.3 MB per second (ATA Ultra-DMA mode 2)
Average access time (including latency)	85 ms (CD-ROM)
DVD-ROM	Single layer 95 ms Dual layer 130 ms

DVD-RAM	Type II Media 170 ms
Cache memory (Read/Write)	512 KB
Disc diameter	12 cm (4.7 in.) (8cm [3 in.] read-only)
Rotational speed	5670 rpm
Mean time between failures (MTBF)	80,000 POH (duty 25%)

Appendix B. Problem solving

Computer problems can be caused by hardware, software, or user error. Using the information in this section, you might be able to solve problems yourself or gather helpful information that you can pass on to a service technician. You might also need to refer to your computer, operating system, or sound adapter documentation.

Review the following list for any problem description that might fit your situation.

- **Your computer or DVD-ROM drive does not operate correctly, or the busy indicator light does not come on.**

Take the following actions:

1. Check that the disc is loaded with the label side up.
2. Check that all devices and cables are properly connected to the computer and to the electrical outlet.
3. Turn off the computer, unplug the cables for your computer and all attached devices, and remove the computer cover.
4. Check that all power and Combo cables are securely attached. Disconnect the Combo cable and check for bent or misaligned pins. If you do not find any problems, reconnect the interface cable. Replace the computer cover, and reattach all cables and power cords. Turn on the computer, restart the operating system, and attempt to open the loading tray by pressing the **Open/Close** button. If the tray fails to open and the busy indicator does not light, turn off the computer and try using another 4-pin dc power cable.
5. Check that the color-coded edge on the Combo cable aligns with pin 1 on the IDE port and is closest to the power cable on the DVD-ROM drive.
6. Check the DVD-ROM drive and any other device on the Combo cable for the proper settings..
7. If the middle connector on the Combo cable is attached to the IDE port on the system board, remove the connector and reattach the cable. If there is only one device on the IDE port, attach the connector at one end of the cable to the IDE port and the connector at the other end to the device, leaving the middle connector (if there is one) open.

If there are two devices on the IDE port, attach the connector at one end of the cable to the IDE port. If there is a hard disk drive, attach it to the connector at the other end of the cable, and attach the DVD-ROM drive to the middle connector.

- **You cannot access the DVD-ROM drive, or the DVD-ROM (CD-ROM) icon is not displayed.**

When the DVD-ROM drive is properly installed, a DVD-ROM or CD-ROM icon is displayed in the My Computer window. Double-click **My Computer**. If a CD-ROM icon is not present in the window that opens, verify that the drive has been properly installed. Verify that the configuration jumper is set properly. Restart your computer. If a drive icon is still not found, continue with the following steps.

1. Click **Start**, then click **Settings**, and then click **Control Panel**.
2. Click **System**.
3. Click the **Device Manager** tab.
4. Double-click **View Devices by Type**.
5. Select **Hard Disk Controllers** from the list displayed in the Device Manager window. Verify that there are no conflicts with the controller. The device status indicates whether the controller is working properly.
6. Select **CD-ROM** from the list that is displayed in the Device Manager window. Verify that a CD-ROM device is present in the list and that no conflicts exist. The device status indicates whether the device is working properly.
7. Click **OK**.
8. Close all windows and restart the computer.

If the device icon is still not present, check cable connections and device-jumper settings, and resolve any conflicts that might exist.

- **The DVD-ROM drive is not recognized by the operating system, or the drive performs erratically.**

Some computers have Compatible and High Performance modes for mass storage devices. Normally, the DVD-ROM drive functions better under the High Performance mode. However, if your drive is not functioning properly in that mode, you might need to use the Compatible mode.

Use the following procedure to check the configuration-setup information for your computer.

1. Access your configuration utility program. (For IBM systems, press F1 at time of system start-up.)
2. Select **Devices**.
3. Scroll down to the **Mass Storage Devices** section.

Refer to the documentation that comes with your computer for additional details on selecting IDE performance modes.

- **The computer does not recognize the DVD-ROM drive after the device drivers are loaded.**

Check for incompatibilities among the DVD-ROM device driver and other device drivers or other hardware in your computer. Create a system diskette with minimum CONFIG.SYS and AUTOEXEC.BAT system files.

1. Before creating special CONFIG.SYS and AUTOEXEC.BAT files, make a backup copy of these files in a convenient directory. From a DOS prompt, do the following:
 - a. Type copy CONFIG.SYS CONFIG.IBM and press Enter.
 - b. Type copy AUTOEXEC.BAT AUTOEXEC.IBM and press Enter.
2. Insert a blank, formatted diskette into the diskette drive.
3. Copy the CONFIG.SYS and AUTOEXEC.BAT files onto the diskette.
4. Turn off the computer and ensure that the system diskette that you created is in the diskette drive.
5. Restart the computer (the computer starts up from the system diskette).
6. Observe the startup messages and ensure the device driver IBMIDECD.SYS loads. When MSCDEX loads, observe the drive letter that the computer assigns to the DVD-ROM drive.
7. Load a data disc into the loading tray; then wait until the Busy indicator is not lit.
8. Attempt to read the disc by typing `dir x:`, where *x* is the DVD-ROM drive assigned after the MSCDEX message.
 - If the computer is able to read the disc, a conflict probably exists among the device drivers that are loaded by the CONFIG.SYS or AUTOEXEC.BAT file. You need to resolve this device conflict. Refer to the documentation that comes with your computer for more information on resolving device conflicts.
 - If you are unable to access the disc, you might have a hardware problem. If you are unable to read the disc or a drive letter is not assigned by MSCDEX, go to the next step.
9. Turn off the computer, unplug the cables from the electrical outlets for your computer and all attached devices, and remove the computer cover.
10. Disconnect the IDE and power cables for all IDE devices except the DVD-ROM drive.
11. Configure the DVD-ROM drive as a master and connect it to the last IDE connector on the primary IDE port.
12. Reinstall the computer cover. Reconnect the keyboard; plug the power cords into electrical outlets.
13. Insert the system diskette in the diskette drive and a data disc in the DVD-ROM drive.
14. Restart the computer.
15. Attempt to read the disc by typing `dir C:` (the DVD-ROM drive is drive C: because it is the only device that is connected to the IDE port.)
 - If the computer is able to read the disc, a conflict probably exists with one of the devices that are installed on your computer. You

need to resolve this device driver conflict. Check the configuration jumper settings for the other devices or refer to our device documentation.

- If you are unable to access the disc, you might have a hardware problem. If the DVD-ROM drive still does not read the data disc, the DVD-ROM drive might be defective. Go to “Appendix D. Help and service information” on page D-1.

- **The disc cannot be read.**

Take the following actions:

1. The disc might be dirty; clean it as described in “Caring for a CD or DVD” on page 1-7 “Caring for a CD or DVD” on page 12.
2. The disc might be defective; try another disc.
3. The disc is not ISO-9660, High Sierra Group (HSG), or Universal Disc Format (UDS) compatible. Check with your place of purchase.

- **There is no sound from the disc.**

1. Check that you are not using a data CD.
2. Adjust the volume control on the drive. See “Front view of the drive” on page 1-3.
3. Adjust the audio-adaptor volume control. See the documentation that comes with your audio adapter and audio-CD player program.
4. Turn off the computer, unplug the cables from the electrical outlets for your computer and all attached devices, and remove the computer cover. Ensure that the Combo cable is fully engaged on the drive and system board.

- **You receive a common error message.**

Take the following actions for these common error messages:

- CDR-103

The disc in the DVD-ROM drive is not High Sierra, ISO 9660, or UDF format. The DVD-ROM drive does not support the media.

- CDR-101

The “not ready reading the drive” situation occurs if you try to access the DVD-ROM drive before the drive is ready. The busy indicator lights when you attempt to access the drive after loading a disc into the loading tray. Wait until the busy indicator is no longer lit before attempting to access the drive.

- **The connectors on the Combo cables that are provided do not fit the connector on your audio adapter.**

Some audio adapters might require a special cable. See the documentation that comes with your audio adapter.

You might have to separately purchase an audio cable for the DVD-ROM drive. If you are using an IBM computer or IBM audio adapter, refer to “Appendix D. Help and service information” on page D-1.

- **“Unable to Create Overlay Window” message appears when you use DVD Express with Windows 95, Windows 98, or Windows 2000.**
 1. Your video device driver needs an update to enable overlay support. Contact the manufacturer of your video card or your computer for updates. Video drivers for many IBM systems are on the MPEG-2 CD.
 2. The resolution of your screen might be too high. Try setting the screen to 800 x 600 x 16 bpp at 60 hz.
- **DVD movies do not start automatically when inserted into the DVD-ROM drive.**
 1. Autoplay is turned off. Follow these instructions to turn on Autoplay:
 - a. Click **Start**, then click **Control Panel**, and then click **Device Manager**.
 - b. Check **Auto Insert Notification**.
 2. DVDs that contain both programs and DVD Video content will autoplay the program content. To view the video content, start DVD Express manually. For more information on starting DVD Express manually, see “Viewing a DVD movie” on page 1-5 “Viewing a DVD movie” on page 11.
- **Video appears to be choppy or is dropping frames.**
 1. Ensure that DMA is turned on for your computer hard disk drive controller.
 2. The resolution of your screen might be too high. Try setting the screen to 800 x 600 x 16 bpp at 60 hz.
 3. If your computer processor has less power than a Pentium II 450, some jerkiness is normal on certain DVDs.
- **Cannot read CD media (data or audio) on Windows 2000 or Windows NT systems without restarting system.**
 1. IBM Rapid Access II Keyboard driver may be interfering with the operation of the CD drive.
 - a. Remove the Rapid Access II Keyboard driver via Add/Remove programs in the Control Panel.
 - b. If you have a Rapid Access II Keyboard and wish to restore its function, you will need to go to the IBM Support Web site to download the latest drivers (Version 1007 or higher).

Appendix C. Customizing the device-driver configuration settings

Changing the Windows 95, Windows 98, Windows NT 4.0, Windows 2000, and Windows Me device drivers

Windows 95, Windows 98, and Windows Me have two device-driver configuration parameters: Auto Insert Notify and DMA.

The Auto Insert Notify parameter enables the computer to start audio CD software as soon as a CD is inserted into the Slimline drive.

The DMA parameter improves computer performance by having the computer DMA controller handle moving data from the CD to memory, freeing the computer microprocessor to perform more important tasks. For example, activating DMA might make movies and games run more smoothly because the microprocessor will be allocating more processing time to video.

Changing the Auto Insert Notify and DMA parameters for Windows 95, Windows 98, and Windows Me

To change these parameter settings from the Windows 95, Windows 98, or Windows Me desktop:

1. Click **Start --> Settings --> Control Panel**.
2. Double-click **System**.
3. Select **Device Manager**.
4. Double-click **CD-ROM**.
5. Click **Properties**.
6. Select **Settings**.
7. Click **Auto Insert Notification** or **DMA**.
8. Click **OK**.

Changing the Windows 2000 DMA parameter setting

To change the DMA parameter setting for Windows 2000, do the following:

1. Select **Start-->Settings-->Control Panel**.
2. Double-click **System**.
3. Click the **Hardware** tab.
4. Click **Device Manager**.
5. Click the **IDE ATA/ATAPI** controller to open up the tree.
6. Double-click the device that corresponds to your CD-ROM port. It is either **Primary IDE** or **Secondary IDE**.
7. Click the **Advanced Settings** tab.

8. Select the **Transfer Mode** pull-down and select **DMA** if available.
9. Click **OK**.
10. Click **Close** to close the System Properties window. A message is displayed, informing you that the system settings have changed.
11. Click **OK** to restart the computer.

Enabling DMA for Windows NT 4.0

Enabling DMA for Windows NT 4.0 requires installing a DMA bus master IDE controller driver. This may have been installed at the factory, or you have to install it yourself. To determine if an IDE Bus Mastering driver is installed, follow these steps:

1. Log on as an administrator.
2. Double-click **My Computer**.
3. Click **Start**.
4. Select **Settings**.
5. Click **Control Panel**.
6. Double-click **Devices**.
7. Select the **ATAPI** device.
8. If the status is 'Started', you do not have a DMA bus master IDE controller driver installed.

If your computer does not have an DMA bus master IDE controller driver, you must go to the Web site for the manufacturer of the system board in your computer, and download and install the Windows NT 4.0 DMA device driver. The instructions for installing the driver are provided on the manufacturer's Web site.

Note: Carefully read the instruction that come with your driver. Some versions of Bus Master drivers do not support CD recordable devices.

The following is a list of manufacturer Web Sites that contain Windows NT 4.0 DMA device drivers for your system boards:

- IBM: <http://www.ibm.com>
- Intel: <http://www.intel.com>
- VIA: <http://via.com.tw>
- ALi: <http://ali.com.tw>

Appendix D. Help and service information

This section contains information on how to obtain warranty information on the World Wide Web and online and telephone technical support.

Warranty information on the World Wide Web

The IBM Machine Warranties Web site at http://www.ibm.com/servers/support/machine_warranties/ contains a worldwide overview of the IBM Limited Warranty for IBM Machines, a glossary of terms used in the Statement of Limited Warranty, Frequently Asked Questions (FAQ), and links to Product Support Web pages. The IBM Statement of Limited Warranty is available from this Web site in 29 languages in Portable Document Format (PDF).

Online technical support

Online technical support is available during the life of your product. Online assistance can be obtained through the Personal Computing Support Web site and the IBM Automated Fax System.

<i>Online technical support</i>	
IBM Personal Computing Support Web site	http://www.ibm.com/pc/support
IBM Automated Fax System	1-800-426-3395 (U.S. and Canada)

During the warranty period, assistance for replacement or exchange of defective components is available. In addition, if your IBM option is installed in an IBM computer, you might be entitled to service at your location. Your technical support representative can help you determine the best alternative.

Telephone technical support

Installation and configuration support through the HelpCenter will be withdrawn or made available for a fee, at IBM's discretion, 90 days after the option has been withdrawn from marketing. Additional support offerings, including step-by-step installation assistance, are available for a nominal fee.

To assist the technical support representative, have available as much of the following information as possible:

- Option name
- Option number
- Proof of purchase

- Computer manufacturer, model, serial number (if IBM), and manual
- Exact wording of the error message (if any)
- Description of the problem
- Hardware and software configuration information for your system

If possible, be at your computer. Your technical support representative might want to walk you through the problem during the call.

For the support telephone number and support hours by country, refer to the following table or to the enclosed technical support insert. If the number is not provided, contact your IBM reseller or IBM marketing representative. Response time may vary depending on the number and nature of the calls received.

<i>Support 24 hours a day, 7 days a week</i>	
Canada (Toronto only)	416-383-3344
Canada (all other)	1-800-565-3344
U.S.A. and Puerto Rico	1-800-772-2227
All other countries	Go to http://www.ibm.com/pc/support/ , and click HelpCenter Phone List .

Appendix E. Product warranties and notices

The warranty statements consist of two parts: Part 1 and Part 2. Part 1 varies by country. Part 2 is the same for both statements. Be sure to read both the Part 1 that applies to your country and Part 2.

- **United States, Puerto Rico, and Canada (Z125-4753-05 11/97)** (Part 1 - General Terms on page E-1)
- **Worldwide except Canada, Puerto Rico, Turkey, and United States (Z125-5697-01 11/97)** (Part 1 - General Terms on page E-5)
- **Worldwide Country-Unique Terms** (Part 2 - Country-Unique Terms on page E-8)

IBM Statement of Limited Warranty for United States, Puerto Rico, and Canada (Part 1 - General Terms)

This Statement of Warranty includes Part 1 - General Terms and Part 2 - Country-unique Terms. The terms of Part 2 may replace or modify those of Part 1. The warranties provided by IBM in this Statement of Warranty apply only to Machines you purchase for your use, and not for resale, from IBM or your reseller. The term "Machine" means an IBM machine, its features, conversions, upgrades, elements, or accessories, or any combination of them. The term "Machine" does not include any software programs, whether pre-loaded with the Machine, installed subsequently or otherwise. Unless IBM specifies otherwise, the following warranties apply only in the country where you acquire the Machine. Nothing in this Statement of Warranty affects any statutory rights of consumers that cannot be waived or limited by contract. If you have any questions, contact IBM or your reseller.

Machine - 8X Slimline DVD-ROM drive Warranty period* - One Year

** Contact your place of purchase for warranty service information. Some IBM Machines are eligible for on-site warranty service depending on the country where service is performed.*

The IBM Warranty for Machines

IBM warrants that each Machine 1) is free from defects in materials and workmanship and 2) conforms to IBM's Official Published Specifications. The warranty period for a Machine is a specified, fixed period commencing on its Date of Installation. The date on your sales receipt is the Date of Installation, unless IBM or your reseller informs you otherwise.

During the warranty period IBM or your reseller, if approved by IBM to provide warranty service, will provide repair and exchange service for the Machine, without charge, under the type of service designated for the Machine and will manage and install engineering changes that apply to the Machine.

If a Machine does not function as warranted during the warranty period, and IBM or your reseller are unable to either 1) make it do so or 2) replace it with one that is at least functionally equivalent, you may return it to your place of purchase and your money will be refunded. The replacement may not be new, but will be in good working order.

Extent of Warranty

The warranty does not cover the repair or exchange of a Machine resulting from misuse, accident, modification, unsuitable physical or operating environment, improper maintenance by you, or failure caused by a product for which IBM is not responsible. The warranty is voided by removal or alteration of Machine or parts identification labels.

THESE WARRANTIES ARE YOUR EXCLUSIVE WARRANTIES AND REPLACE ALL OTHER WARRANTIES OR CONDITIONS, EXPRESS OR IMPLIED, INCLUDING, BUT NOT LIMITED TO, THE IMPLIED WARRANTIES OR CONDITIONS OF MERCHANTABILITY AND FITNESS FOR A PARTICULAR PURPOSE. THESE WARRANTIES GIVE YOU SPECIFIC LEGAL RIGHTS AND YOU MAY ALSO HAVE OTHER RIGHTS WHICH VARY FROM JURISDICTION TO JURISDICTION. SOME JURISDICTIONS DO NOT ALLOW THE EXCLUSION OR LIMITATION OF EXPRESS OR IMPLIED WARRANTIES, SO THE ABOVE EXCLUSION OR LIMITATION MAY NOT APPLY TO YOU. IN THAT EVENT, SUCH WARRANTIES ARE LIMITED IN DURATION TO THE WARRANTY PERIOD. NO WARRANTIES APPLY AFTER THAT PERIOD.

Items Not Covered by Warranty

IBM does not warrant uninterrupted or error-free operation of a Machine.

Unless specified otherwise, IBM provides non-IBM machines **WITHOUT WARRANTIES OF ANY KIND.**

Any technical or other support provided for a Machine under warranty, such as assistance via telephone with “how-to” questions and those regarding Machine set-up and installation, will be provided **WITHOUT WARRANTIES OF ANY KIND.**

Warranty Service

To obtain warranty service for the Machine, contact your reseller or IBM. In the United States, call IBM at 1-800-772-2227. In Canada, call IBM at 1-800-565-3344. (In Toronto, call 416-383-3344.) You may be required to present proof of purchase.

IBM or your reseller provides certain types of repair and exchange service, either at your location or at a service center, to keep Machines in, or restore them to, conformance with their Specifications. IBM or your reseller will inform you of the available types of service for a Machine based on its country of installation. IBM may repair the failing Machine or exchange it at its discretion.

When warranty service involves the exchange of a Machine or part, the item IBM or your reseller replaces becomes its property and the replacement becomes yours. You represent that all removed items are genuine and unaltered. The replacement may not be new, but will be in good working order and at least functionally equivalent to the item replaced. The replacement assumes the warranty service status of the replaced item.

Any feature, conversion, or upgrade IBM or your reseller services must be installed on a Machine which is 1) for certain Machines, the designated, serial-numbered Machine and 2) at an engineering-change level compatible with the feature, conversion, or upgrade. Many features, conversions, or upgrades involve the removal of parts and their return to IBM. A part that replaces a removed part will assume the warranty service status of the removed part.

Before IBM or your reseller exchanges a Machine or part, you agree to remove all features, parts, options, alterations, and attachments not under warranty service.

You also agree to

1. ensure that the Machine is free of any legal obligations or restrictions that prevent its exchange;
2. obtain authorization from the owner to have IBM or your reseller service a Machine that you do not own; and
3. where applicable, before service is provided
 - a. follow the problem determination, problem analysis, and service request procedures that IBM or your reseller provides,
 - b. secure all programs, data, and funds contained in a Machine,
 - c. provide IBM or your reseller with sufficient, free, and safe access to your facilities to permit them to fulfill their obligations, and
 - d. inform IBM or your reseller of changes in a Machine's location.

IBM is responsible for loss of, or damage to, your Machine while it is 1) in IBM's possession or 2) in transit in those cases where IBM is responsible for the transportation charges.

Neither IBM nor your reseller is responsible for any of your confidential, proprietary or personal information contained in a Machine which you return to IBM or your reseller for any reason. You should remove all such information from the Machine prior to its return.

Production Status

Each IBM Machine is manufactured from new parts, or new and used parts. In some cases, the Machine may not be new and may have been previously installed. Regardless of the Machine's production status, IBM's appropriate warranty terms apply.

Limitation of Liability

Circumstances may arise where, because of a default on IBM's part or other liability, you are entitled to recover damages from IBM. In each such instance, regardless of the basis on which you are entitled to claim damages from IBM (including fundamental breach, negligence, misrepresentation, or other contract or tort claim), IBM is liable for no more than

1. damages for bodily injury (including death) and damage to real property and tangible personal property; and
2. the amount of any other actual direct damages, up to the greater of U.S. \$100,000 (or equivalent in local currency) or the charges (if recurring, 12 months' charges apply) for the Machine that is the subject of the claim.

This limit also applies to IBM's suppliers and your reseller. It is the maximum for which IBM, its suppliers, and your reseller are collectively responsible.

UNDER NO CIRCUMSTANCES IS IBM LIABLE FOR ANY OF THE FOLLOWING: 1) THIRD-PARTY CLAIMS AGAINST YOU FOR DAMAGES (OTHER THAN THOSE UNDER THE FIRST ITEM LISTED ABOVE); 2) LOSS OF, OR DAMAGE TO, YOUR RECORDS OR DATA; OR 3) SPECIAL, INCIDENTAL, OR INDIRECT DAMAGES OR FOR ANY ECONOMIC CONSEQUENTIAL DAMAGES (INCLUDING LOST PROFITS OR SAVINGS), EVEN IF IBM, ITS SUPPLIERS OR YOUR RESELLER IS INFORMED OF THEIR POSSIBILITY. SOME JURISDICTIONS DO NOT ALLOW THE EXCLUSION OR LIMITATION OF INCIDENTAL OR CONSEQUENTIAL DAMAGES, SO THE ABOVE LIMITATION OR EXCLUSION MAY NOT APPLY TO YOU.

IBM Statement of Warranty Worldwide except Canada, Puerto Rico, Turkey, United States (Part 1 - General Terms)

This Statement of Warranty includes Part 1 - General Terms and Part 2 - Country-unique Terms. The terms of Part 2 may replace or modify those of Part 1. The warranties provided by IBM in this Statement of Warranty apply only to Machines you purchase for your use, and not for resale, from IBM or your reseller. The term "Machine" means an IBM machine, its features, conversions, upgrades, elements, or accessories, or any combination of them. The term "Machine" does not include any software programs, whether pre-loaded with the Machine, installed subsequently or otherwise. Unless IBM specifies otherwise, the following warranties apply only in the country where you acquire the Machine. Nothing in this Statement of Warranty affects any statutory rights of consumers that cannot be waived or limited by contract. If you have any questions, contact IBM or your reseller.

Machine - 8X Slimline DVD-ROM drive **Warranty period*** - One Year

** Contact your place of purchase for warranty service information. Some IBM Machines are eligible for on-site warranty service depending on the country where service is performed.*

The IBM Warranty for Machines

IBM warrants that each Machine 1) is free from defects in materials and workmanship and 2) conforms to IBM's Official Published Specifications. The warranty period for a Machine is a specified, fixed period commencing on its Date of Installation. The date on your sales receipt is the Date of Installation, unless IBM or your reseller informs you otherwise.

During the warranty period IBM or your reseller, if approved by IBM to provide warranty service, will provide repair and exchange service for the Machine, without charge, under the type of service designated for the Machine and will manage and install engineering changes that apply to the Machine.

If a Machine does not function as warranted during the warranty period, and IBM or your reseller are unable to either 1) make it do so or 2) replace it with one that is at least functionally equivalent, you may return it to your place of purchase and your money will be refunded. The replacement may not be new, but will be in good working order.

Extent of Warranty

The warranty does not cover the repair or exchange of a Machine resulting from misuse, accident, modification, unsuitable physical or operating environment, improper maintenance by you, or failure caused by a product for which IBM is not responsible. The warranty is voided by removal or alteration of Machine or parts identification labels.

THESE WARRANTIES ARE YOUR EXCLUSIVE WARRANTIES AND REPLACE ALL OTHER WARRANTIES OR CONDITIONS, EXPRESS OR IMPLIED, INCLUDING, BUT NOT LIMITED TO, THE IMPLIED WARRANTIES OR CONDITIONS OF MERCHANTABILITY AND FITNESS FOR A PARTICULAR PURPOSE. THESE WARRANTIES GIVE YOU SPECIFIC LEGAL RIGHTS AND YOU MAY ALSO HAVE OTHER RIGHTS WHICH VARY FROM JURISDICTION TO JURISDICTION. SOME JURISDICTIONS DO NOT ALLOW THE EXCLUSION OR LIMITATION OF EXPRESS OR IMPLIED WARRANTIES, SO THE ABOVE EXCLUSION OR LIMITATION MAY NOT APPLY TO YOU. IN THAT EVENT, SUCH WARRANTIES ARE LIMITED IN DURATION TO THE WARRANTY PERIOD. NO WARRANTIES APPLY AFTER THAT PERIOD.

Items Not Covered by Warranty

IBM does not warrant uninterrupted or error-free operation of a Machine.

Unless specified otherwise, IBM provides non-IBM machines **WITHOUT WARRANTIES OF ANY KIND.**

Any technical or other support provided for a Machine under warranty, such as assistance via telephone with "how-to" questions and those regarding Machine set-up and installation, will be provided **WITHOUT WARRANTIES OF ANY KIND.**

Warranty Service

To obtain warranty service for the Machine, contact your reseller or IBM. You may be required to present proof of purchase.

IBM or your reseller provides certain types of repair and exchange service, either at your location or at a service center, to keep Machines in, or restore them to, conformance with their Specifications. IBM or your reseller will inform you of the available types of service for a Machine based on its country of installation. IBM may repair the failing Machine or exchange it at its discretion.

When warranty service involves the exchange of a Machine or part, the item IBM or your reseller replaces becomes its property and the replacement becomes yours. You represent that all removed items are genuine and unaltered. The replacement may not be new, but will be in good working order and at least functionally equivalent to the item replaced. The replacement assumes the warranty service status of the replaced item.

Any feature, conversion, or upgrade IBM or your reseller services must be installed on a Machine which is 1) for certain Machines, the designated,

serial-numbered Machine and 2) at an engineering-change level compatible with the feature, conversion, or upgrade. Many features, conversions, or upgrades involve the removal of parts and their return to IBM. A part that replaces a removed part will assume the warranty service status of the removed part.

Before IBM or your reseller exchanges a Machine or part, you agree to remove all features, parts, options, alterations, and attachments not under warranty service.

You also agree to

1. ensure that the Machine is free of any legal obligations or restrictions that prevent its exchange;
2. obtain authorization from the owner to have IBM or your reseller service a Machine that you do not own; and
3. where applicable, before service is provided
 - a. follow the problem determination, problem analysis, and service request procedures that IBM or your reseller provides,
 - b. secure all programs, data, and funds contained in a Machine,
 - c. provide IBM or your reseller with sufficient, free, and safe access to your facilities to permit them to fulfill their obligations, and
 - d. inform IBM or your reseller of changes in a Machine's location.

IBM is responsible for loss of, or damage to, your Machine while it is 1) in IBM's possession or 2) in transit in those cases where IBM is responsible for the transportation charges.

Neither IBM nor your reseller is responsible for any of your confidential, proprietary or personal information contained in a Machine which you return to IBM or your reseller for any reason. You should remove all such information from the Machine prior to its return.

Production Status

Each IBM Machine is manufactured from new parts, or new and used parts. In some cases, the Machine may not be new and may have been previously installed. Regardless of the Machine's production status, IBM's appropriate warranty terms apply.

Limitation of Liability

Circumstances may arise where, because of a default on IBM's part or other liability, you are entitled to recover damages from IBM. In each such instance, regardless of the basis on which you are entitled to claim damages from IBM (including fundamental breach, negligence, misrepresentation, or other contract or tort claim), IBM is liable for no more than

1. damages for bodily injury (including death) and damage to real property and tangible personal property; and
2. the amount of any other actual direct damages, up to the greater of U.S. \$100,000 (or equivalent in local currency) or the charges (if recurring, 12 months' charges apply) for the Machine that is the subject of the claim.

This limit also applies to IBM's suppliers and your reseller. It is the maximum for which IBM, its suppliers, and your reseller are collectively responsible.

UNDER NO CIRCUMSTANCES IS IBM LIABLE FOR ANY OF THE FOLLOWING: 1) THIRD-PARTY CLAIMS AGAINST YOU FOR DAMAGES (OTHER THAN THOSE UNDER THE FIRST ITEM LISTED ABOVE); 2) LOSS OF, OR DAMAGE TO, YOUR RECORDS OR DATA; OR 3) SPECIAL, INCIDENTAL, OR INDIRECT DAMAGES OR FOR ANY ECONOMIC CONSEQUENTIAL DAMAGES (INCLUDING LOST PROFITS OR SAVINGS), EVEN IF IBM, ITS SUPPLIERS OR YOUR RESELLER IS INFORMED OF THEIR POSSIBILITY. SOME JURISDICTIONS DO NOT ALLOW THE EXCLUSION OR LIMITATION OF INCIDENTAL OR CONSEQUENTIAL DAMAGES, SO THE ABOVE LIMITATION OR EXCLUSION MAY NOT APPLY TO YOU.

Part 2 - Worldwide Country-Unique Terms

ASIA PACIFIC

AUSTRALIA: The IBM Warranty for Machines: The following paragraph is added to this Section: The warranties specified in this Section are in addition to any rights you may have under the Trade Practices Act 1974 or other legislation and are only limited to the extent permitted by the applicable legislation.

Extent of Warranty: The following replaces the first and second sentences of this Section: The warranty does not cover the repair or exchange of a Machine resulting from misuse, accident, modification, unsuitable physical or operating environment, operation in other than the Specified Operating Environment, improper maintenance by you, or failure caused by a product for which IBM is not responsible.

Limitation of Liability: The following is added to this Section: Where IBM is in breach of a condition or warranty implied by the Trade Practices Act 1974, IBM's liability is limited to the repair or replacement of the goods or the supply of equivalent goods. Where that condition or warranty relates to right to sell, quiet possession or clear title, or the goods are of a kind ordinarily acquired for personal, domestic or household use or consumption, then none of the limitations in this paragraph apply.

PEOPLE'S REPUBLIC OF CHINA: Governing Law: The following is added to this Statement: The laws of the State of New York govern this Statement.

INDIA: Limitation of Liability: The following replaces items 1 and 2 of this Section:

1. liability for bodily injury (including death) or damage to real property and tangible personal property will be limited to that caused by IBM's negligence;
2. as to any other actual damage arising in any situation involving nonperformance by IBM pursuant to, or in any way related to the subject of this Statement of Warranty, IBM's liability will be limited to the charge paid by you for the individual Machine that is the subject of the claim.

NEW ZEALAND: The IBM Warranty for Machines: The following paragraph is added to this Section: The warranties specified in this Section are in addition to any rights you may have under the Consumer Guarantees Act 1993 or other legislation which cannot be excluded or limited. The Consumer Guarantees Act 1993 will not apply in respect of any goods which IBM provides, if you require the goods for the purposes of a business as defined in that Act.

Limitation of Liability: The following is added to this Section: Where Machines are not acquired for the purposes of a business as defined in the Consumer Guarantees Act 1993, the limitations in this Section are subject to the limitations in that Act.

EUROPE, MIDDLE EAST, AFRICA (EMEA)

The following terms apply to all EMEA countries.

The terms of this Statement of Warranty apply to Machines purchased from an IBM reseller. If you purchased this Machine from IBM, the terms and conditions of the applicable IBM agreement prevail over this warranty statement.

Warranty Service

If you purchased an IBM Machine in Austria, Belgium, Denmark, Estonia, Finland, France, Germany, Greece, Iceland, Ireland, Italy, Latvia, Lithuania, Luxembourg, Netherlands, Norway, Portugal, Spain, Sweden, Switzerland or United Kingdom, you may obtain warranty service for that Machine in any of those countries from either (1) an IBM reseller approved to perform warranty service or (2) from IBM.

If you purchased an IBM Personal Computer Machine in Albania, Armenia, Belarus, Bosnia and Herzegovina, Bulgaria, Croatia, Czech Republic, Georgia, Hungary, Kazakhstan, Kirghizia, Federal Republic of Yugoslavia, Former

Yugoslav Republic of Macedonia (FYROM), Moldova, Poland, Romania, Russia, Slovak Republic, Slovenia, or Ukraine, you may obtain warranty service for that Machine in any of those countries from either (1) an IBM reseller approved to perform warranty service or (2) from IBM.

The applicable laws, Country-unique terms and competent court for this Statement are those of the country in which the warranty service is being provided. However, the laws of Austria govern this Statement if the warranty service is provided in Albania, Armenia, Belarus, Bosnia and Herzegovina, Bulgaria, Croatia, Czech Republic, Federal Republic of Yugoslavia, Georgia, Hungary, Kazakhstan, Kirghizia, Former Yugoslav Republic of Macedonia (FYROM), Moldova, Poland, Romania, Russia, Slovak Republic, Slovenia, and Ukraine.

The following terms apply to the country specified:

EGYPT: Limitation of Liability: The following replaces item 2 in this Section: 2. as to any other actual direct damages, IBM's liability will be limited to the total amount you paid for the Machine that is the subject of the claim.

Applicability of suppliers and resellers (unchanged).

FRANCE: Limitation of Liability: The following replaces the second sentence of the first paragraph of this Section: In such instances, regardless of the basis on which you are entitled to claim damages from IBM, IBM is liable for no more than: (items 1 and 2 unchanged).

GERMANY: The IBM Warranty for Machines: The following replaces the first sentence of the first paragraph of this Section: The warranty for an IBM Machine covers the functionality of the Machine for its normal use and the Machine's conformity to its Specifications.

The following paragraphs are added to this Section: The minimum warranty period for Machines is six months.

In case IBM or your reseller are unable to repair an IBM Machine, you can alternatively ask for a partial refund as far as justified by the reduced value of the unrepaired Machine or ask for a cancellation of the respective agreement for such Machine and get your money refunded.

Extent of Warranty: The second paragraph does not apply.

Warranty Service: The following is added to this Section: During the warranty period, transportation for delivery of the failing Machine to IBM will be at IBM's expense.

Production Status: The following paragraph replaces this Section: Each Machine is newly manufactured. It may incorporate in addition to new parts, re-used parts as well.

Limitation of Liability: The following is added to this Section: The limitations and exclusions specified in the Statement of Warranty will not apply to damages caused by IBM with fraud or gross negligence and for express warranty.

In item 2, replace "U.S. \$100,000" with "1.000.000 DEM."

The following sentence is added to the end of the first paragraph of item 2: IBM's liability under this item is limited to the violation of essential contractual terms in cases of ordinary negligence.

IRELAND: Extent of Warranty: The following is added to this Section: Except as expressly provided in these terms and conditions, all statutory conditions, including all warranties implied, but without prejudice to the generality of the foregoing all warranties implied by the Sale of Goods Act 1893 or the Sale of Goods and Supply of Services Act 1980 are hereby excluded.

Limitation of Liability: The following replaces items one and two of the first paragraph of this Section: 1. death or personal injury or physical damage to your real property solely caused by IBM's negligence; and 2. the amount of any other actual direct damages, up to the greater of Irish Pounds 75,000 or 125 percent of the charges (if recurring, the 12 months' charges apply) for the Machine that is the subject of the claim or which otherwise gives rise to the claim.

Applicability of suppliers and resellers (unchanged).

The following paragraph is added at the end of this Section: IBM's entire liability and your sole remedy, whether in contract or in tort, in respect of any default shall be limited to damages.

ITALY: Limitation of Liability: The following replaces the second sentence in the first paragraph: In each such instance unless otherwise provided by mandatory law, IBM is liable for no more than: (item 1 unchanged) 2) as to any other actual damage arising in all situations involving non-performance by IBM pursuant to, or in any way related to the subject matter of this Statement of Warranty, IBM's liability, will be limited to the total amount you paid for the Machine that is the subject of the claim.

Applicability of suppliers and resellers (unchanged).

The following replaces the second paragraph of this Section: Unless otherwise provided by mandatory law, IBM and your reseller are not liable for any of the following: (items 1 and 2 unchanged) 3) indirect damages, even if IBM or your reseller is informed of their possibility.

SOUTH AFRICA, NAMIBIA, BOTSWANA, LESOTHO AND SWAZILAND:

Limitation of Liability: The following is added to this Section: IBM's entire liability to you for actual damages arising in all situations involving nonperformance by IBM in respect of the subject matter of this Statement of Warranty will be limited to the charge paid by you for the individual Machine that is the subject of your claim from IBM.

TURKIYE: Production Status: The following replaces this Section: IBM fulfills customer orders for IBM Machines as newly manufactured in accordance with IBM's production standards.

UNITED KINGDOM: Limitation of Liability: The following replaces items 1 and 2 of the first paragraph of this Section:

1. death or personal injury or physical damage to your real property solely caused by IBM's negligence;
2. the amount of any other actual direct damages or loss, up to the greater of Pounds Sterling 150,000 or 125 percent of the charges (if recurring, the 12 months' charges apply) for the Machine that is the subject of the claim or which otherwise gives rise to the claim.

The following item is added to this paragraph: 3. breach of IBM's obligations implied by Section 12 of the Sale of Goods Act 1979 or Section 2 of the Supply of Goods and Services Act 1982.

Applicability of suppliers and resellers (unchanged).

The following is added to the end of this Section: IBM's entire liability and your sole remedy, whether in contract or in tort, in respect of any default will be limited to damages.

NORTH AMERICA

CANADA: Warranty Service: The following is added to this section: To obtain warranty service from IBM, call 1-800-565-3344. In Toronto, call 416-383-3344.

UNITED STATES OF AMERICA: Warranty Service: The following is added to this section: To obtain warranty service from IBM, call 1-800-772-2227.

Notices

This publication was developed for products and services offered in the U.S.A.

IBM may not offer the products, services, or features discussed in this document in other countries. Consult your local IBM representative for information on the products and services currently available in your area. Any reference to an IBM product, program, or service is not intended to state or imply that only that IBM product, program, or service may be used. Any functionally equivalent product, program, or service that does not infringe any IBM intellectual property right may be used instead. However, it is the user's responsibility to evaluate and verify the operation of any non-IBM product, program, or service.

IBM may have patents or pending patent applications covering subject matter described in this document. The furnishing of this document does not give you any license to these patents. You can send license inquiries, in writing, to:

*IBM Director of Licensing
IBM Corporation
North Castle Drive
Armonk, NY 10504-1785
U.S.A.*

The following paragraph does not apply to the United Kingdom or any country where such provisions are inconsistent with local law:

INTERNATIONAL BUSINESS MACHINES CORPORATION PROVIDES THIS PUBLICATION "AS IS" WITHOUT WARRANTY OF ANY KIND, EITHER EXPRESS OR IMPLIED, INCLUDING, BUT NOT LIMITED TO, THE IMPLIED WARRANTIES OF NON-INFRINGEMENT, MERCHANTABILITY OR FITNESS FOR A PARTICULAR PURPOSE. Some states do not allow disclaimer of express or implied warranties in certain transactions, therefore, this statement may not apply to you.

This information could include technical inaccuracies or typographical errors. Changes are periodically made to the information herein; these changes will be incorporated in new editions of the publication. IBM may make improvements and/or changes in the product(s) and/or the program(s) described in this publication at any time without notice.

IBM may use or distribute any of the information you supply in any way it believes appropriate without incurring any obligation to you.

Trademarks

The following terms are trademarks of the IBM Corporation in the United States or other countries or both:

IBM
HelpCenter

Microsoft, Windows, and Windows NT are trademarks of Microsoft Corporation in the United States, other countries, or both.

Intel and Pentium are trademarks of Intel Corporation in the United States, other countries, or both.

Other company, product, and service names may be trademarks or service marks of others.

Federal Communications Commission (FCC) Statement

Note: This equipment has been tested and found to comply with the limits for a Class B digital device, pursuant to Part 15 of the FCC Rules. These limits are designed to provide reasonable protection against harmful interference in a residential installation. This equipment generates, uses, and can radiate radio frequency energy and, if not installed and used in accordance with the instructions, may cause harmful interference to radio communications. However, there is no guarantee that interference will not occur in a particular installation. If this equipment does cause harmful interference to radio or television reception, which can be determined by turning the equipment off and on, the user is encouraged to try to correct the interference by one or more of the following measures:

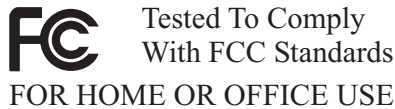
- Reorient or relocate the receiving antenna.
- Increase the separation between the equipment and receiver.
- Connect the equipment into an outlet on a circuit different from that to which the receiver is connected.
- Consult an IBM authorized dealer or service representative for help.

Properly shielded and grounded cables and connectors must be used in order to meet FCC emission limits. Proper cables and connectors are available from IBM authorized dealers. IBM is not responsible for any radio or television interference caused by using other than recommended cables and connectors or by unauthorized changes or modifications to this equipment. Unauthorized changes or modifications could void the user's authority to operate the equipment.

This device complies with Part 15 of the FCC Rules. Operation is subject to the following two conditions: (1) this device may not cause harmful interference, and (2) this device must accept any interference received, including interference that may cause undesired operation.

Responsible party:
International Business Machines Corporation
New Orchard Road
Armonk, NY 10504

Telephone: 1-919-543-2193



Industry Canada Class B emission compliance statement

This Class B digital apparatus complies with Canadian ICES-003.

Avis de conformité a la réglementation d'Industrie Canada

Cet appareil numérique de classe B est conforme à la norme NMB-003 du Canada.

Deutsche EMV-Direktive (electromagnetische Verträglichkeit)

Dieses Gerät ist berechtigt in Übereinstimmung mit dem deutschen EMVG vom 9.Nov.92 das EG-Konformitätszeichen zu führen.

Der Aussteller der Konformitätserklärung ist die IBM UK, Greenock.

Dieses Gerät erfüllt die Bedingungen der EN 55022 Klasse B.

European Union - emission directive

This product is in conformity with the protection requirements of EU Council Directive 89/366/ECC on the approximation of the laws of the Member States relating to electromagnetic compatibility.

IBM can not accept responsibility for any failure to satisfy the protection requirements resulting from a non-recommended modification of the product, including the fitting of non-IBM option cards.

This product has been tested and found to comply with the limits for Class B Information Technology Equipment according to CISPR 22/European Standard EN 55022. The limits for Class B equipment were derived for typical residential environments to provide reasonable protection against interference with licensed communication devices.

Union Européenne - Directive Conformité électromagnétique

Ce produit est conforme aux exigences de protection de la Directive 89/336/EEC du Conseil de l'UE sur le rapprochement des lois des États membres en matière de compatibilité électromagnétique.

IBM ne peut accepter aucune responsabilité pour le manquement aux exigences de protection résultant d'une modification non recommandée du produit, y compris l'installation de cartes autres que les cartes IBM.

Ce produit a été testé et il satisfait les conditions de l'équipement informatique de Classe B en vertu de CISPR22/Standard européen EN 55022. Les conditions pour l'équipement de Classe B ont été définies en fonction d'un contexte résidentiel ordinaire afin de fournir une protection raisonnable contre l'interférence d'appareils de communication autorisés.

Unione Europea - Directiva EMC (Conformidad electromagnética)

Este producto satisface los requisitos de protección del Consejo de la UE, Directiva 89/336/CEE en lo que a la legislación de los Estados Miembros sobre compatibilidad electromagnética se refiere.

IBM no puede aceptar responsabilidad alguna si este producto deja de satisfacer dichos requisitos de protección como resultado de una modificación no recomendada del producto, incluyendo el ajuste de tarjetas de opción que no sean IBM.

Este producto ha sido probado y satisface los límites para Equipos Informáticos Clase B de conformidad con el Estándar CISPR22 y el Estándar Europeo EN 55022. Los límites para los equipos de Clase B se han establecido para entornos residenciales típicos a fin de proporcionar una protección razonable contra las interferencias con dispositivos de comunicación licenciados.

Union Europea - Normativa EMC

Questo prodotto è conforme alle normative di protezione ai sensi della Direttiva del Consiglio dell'Unione Europea 89/336/CEE sull'armonizzazione legislativa degli stati membri in materia di compatibilità elettromagnetica.

IBM non accetta responsabilità alcuna per la mancata conformità alle normative di protezione dovuta a modifiche non consigliate al prodotto, compresa l'installazione di schede e componenti di marca diversa da IBM.

Le prove effettuate sul presente prodotto hanno accertato che esso rientra nei limiti stabiliti per le apparecchiature di informatica Classe B ai sensi del CISPR 22/Norma Europea EN 55022. I limiti delle apparecchiature della Classe

B sono stati stabiliti al fine di fornire ragionevole protezione da interferenze mediante dispositivi di comunicazione in concessione in ambienti residenziali tipici.

Korean B급 규격 증명서

이 장치는 옥내용으로 보증되었으며 모든 환경에서 사용할 수 있습니다.

この装置は、情報処理装置等電波障害自主規制協議会（VCCI）の基準に基づきクラスB情報技術装置です。この装置は、家庭環境で使用することを目的としていますが、この装置がラジオやテレビジョン受信機に近接して使用されると、受信障害を引き起こすことがあります。
取扱説明書に従って正しい取り扱いをして下さい。



Part Number: 10K3799



Printed in the United States of America
on recycled paper containing 10%
recovered post-consumer fiber.

(1P) P/N: 10K3799



Free Manuals Download Website

<http://myh66.com>

<http://usermanuals.us>

<http://www.somanuals.com>

<http://www.4manuals.cc>

<http://www.manual-lib.com>

<http://www.404manual.com>

<http://www.luxmanual.com>

<http://aubethermostatmanual.com>

Golf course search by state

<http://golfingnear.com>

Email search by domain

<http://emailbydomain.com>

Auto manuals search

<http://auto.somanuals.com>

TV manuals search

<http://tv.somanuals.com>