



UltraslimBay DVD Drive

User's Guide

OPTIONS
by 

First Edition (August 1998)

The following paragraph does not apply to the United Kingdom or any country where such provisions are inconsistent with local law:

INTERNATIONAL BUSINESS MACHINES CORPORATION PROVIDES THIS PUBLICATION "AS IS" WITHOUT ANY WARRANTY OF ANY KIND, EITHER EXPRESS OR IMPLIED, INCLUDING, BUT NOT LIMITED TO, THE LIMITED WARRANTIES OF MERCHANTABILITY OR FITNESS FOR A PARTICULAR PURPOSE. Some states do not allow disclaimers or express or implied warranties in certain transactions; therefore, this statement may not apply to you.

This publication could include technical inaccuracies or typographical errors. Changes are periodically made to the information herein; these changes will be incorporated in new editions of the publication. IBM may make improvements or changes in the products or the programs described in this publication at any time.

It is possible that this publication may contain reference to, or information about, IBM products (machines and programs), programming, or services that are not announced in your country. Such references or information must not be construed to mean that IBM intends to announce such IBM products, programming, or services in your country.

Requests for technical information about IBM products should be made to your IBM authorized dealer or your IBM marketing representative.

Copyright International Business Machines Corporation 1998. All rights reserved.

Note to U.S. Government Users — Documentation related to restricted rights — Use, duplication or disclosure is subject to restrictions set forth in GSA ADP Schedule Contract with IBM Corp.

Contents

Part 1. Using the DVD Drive	1-1
Installing the DVD Drive in the UltralimBay	1-2
Installing the Hot/Warm Swap Driver (ThinkPad 600 Only)	1-3
Installing the Display Driver (ThinkPad 600 Only)	1-4
Installing Programs	1-6
Viewing a DVD Movie	1-8

Part 2. Appendixes	2-1
Appendix A. Help and Service Information	2-1
Step 1. Problem Solving	2-1
Step 2. Preparing for the Call	2-2
Step 3. Placing the Call to IBM	2-2
Appendix B. Product Warranty	2-3
Appendix C. Notices	2-6

Part 1. Using the DVD Drive

The *UltraslimBay DVD drive* (hereafter called *DVD drive*) supports the ThinkPad 600 series computer, including the 600 or 600E in the Windows 95 or Windows 98 environment. To use the DVD drive in your computer, you need to install the software programs after inserting the DVD drive into the UltraslimBay. This book explains how to install the DVD drive and software programs.

DVD Movie Playback

This UltraslimBay DVD drive is available for the ThinkPad 600E and ThinkPad 600 systems. The ThinkPad 600E systems use the Pentium II 300-MHz processor with the advanced graphics port (AGP) and a video chip with motion compensation for DVD movie playback. To view movies on a ThinkPad 600 model other than the 600E model, you need a DVD adapter, such as a MARGI Systems DVD-to-Go MPEG-2 DVD PCMCIA adapter. This adapter takes advantage of the existing Zoom Video port on the ThinkPad 600 system.

Before you begin the installation, make sure that the following items are included in your option package:

DVD drive	This user's guide
DVD Software CD-ROM (includes software programs for DVD movies)	Display Driver Diskette (NM2160) for Windows 98/95 (includes the display driver)
Hot/Warm Swap Driver CD-ROM (includes the hot/warm swap driver)	

Note: You can check which version of Windows 95 you are using by doing the following:

1. Click on **Start**, move the cursor to **Settings**, and then click on **Control Panel**.
2. Double-click on **System**.

Read the numbers under "System."

4.00.950B means that it is Windows 95 OSR2.0 or OSR2.1.
4.00.950C means that it is Windows 95 OSR2.5.

Installing the DVD Drive in the UltralimBay

This section describes how to install the DVD drive. Before you begin the installation, make sure that the DVD Software CD-ROM, which includes software programs, was shipped with the DVD drive.

If a device is already installed in the UltralimBay, go to “Removing a Device from the UltralimBay.”

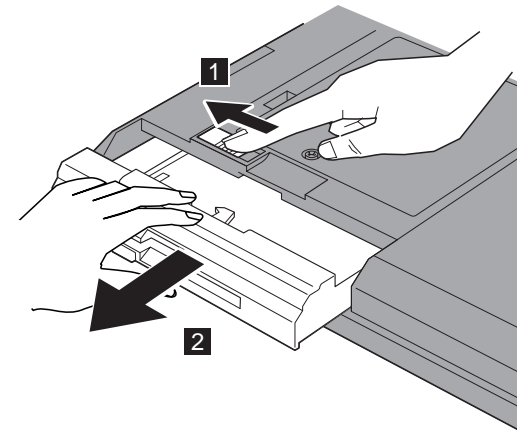
If no device is installed, go to “Installing the DVD Drive in the UltralimBay” on page 1-3.

Removing a Device from the UltralimBay

To remove a device from the UltralimBay, do as follows:

- 1** Make sure there is no storage media inserted in the device.
- 2** Power off the computer, and remove the AC Adapter and cables; then turn the computer upside down.

- 3** Push the UltralimBay device lock to the unlocked position **1** ; then remove the device from the bay **2** .



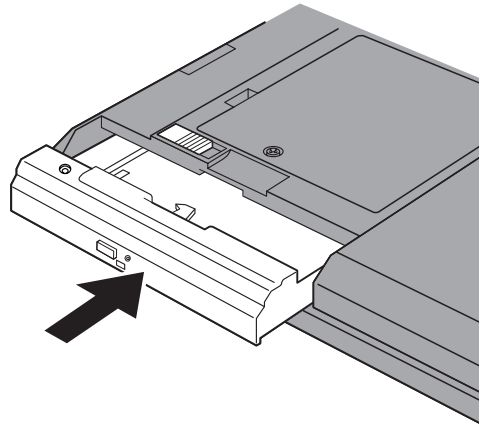
Notes:

1. If you want to warm swap the device in the UltralimBay, you need to install the hot/warm swap driver.
2. Make sure that the bay LED is off. Never remove the UltralimBay device when the bay LED is on.

You have now finished removing the device.

Installing the DVD Drive in the UltralimBay

To install the DVD drive in the UltralimBay, insert the drive into the UltralimBay. Make sure you connect the drive firmly.



You have now finished installing the DVD drive.

Installing the Hot/Warm Swap Driver (ThinkPad 600 Only)

If you are using the ThinkPad 600 computer (rather than a ThinkPad 600E computer) and you want to warm swap the DVD drive, you need to install the hot/warm swap driver for Windows.

The following table shows the country code that you will need in the instructions:

Country	Code	Country	Code
Denmark	DK	Netherlands	NL
Finland	FI	Norway	NO
France	FR	Spain	SP
Germany	GR	Sweden	SW
Italy	IT	United States	US
Japan	JP		

To install the hot/warm swap driver, do the following:

- 1** Start Windows 98 or Windows 95.
- 2** Insert the Hot/Warm Swap Driver CD-ROM into the DVD drive.

- 3** Click on **Start** and move the cursor to **Settings**; then click on **Control Panel**.
- 4** Double-click on **Add New Hardware**.
- 5** Click on **Next**.
(For Windows 98, click on **Next** again.)
- 6** Select **No** and click on **Next**.
(For Windows 98, select **No** again and click on **Next**.)
- 7** Click on **Other devices**, and click on **Next**.
- 8** Click on **Have Disk...**
- 9** Type X:\YY
Note: X is the drive letter of the DVD drive, and YY is the country code.
- 10** Click on **OK**.
- 11** Select **UltraBay Hot/Warm Swap Driver**, and click on **Next**.
- 12** Click on **Finish**.
- 13** Restart the computer.

Installing the Display Driver (ThinkPad 600 Only)

If you are using a ThinkPad 600 computer (rather than a ThinkPad 600E computer), you need to update the display driver before installing the DVD movie player program.

Installing the Display Driver for Windows 98

To install the ThinkPad display driver for Windows 98, do the following:

- 1** Start Windows 98.
- 2** Click on **Start**.
- 3** Move the cursor to **Settings**; then click on **Control Panel**.
- 4** Double-click on the **Display** icon; then click on the **Settings** tab.
- 5** Click on **Advanced...**
- 6** Click on the **Adapter** tab.
- 7** Click on **Change...**
The Update Device Driver Wizard starts.
- 8** Click on **Next**.

- 9** Select **Search for a better driver than the one your device is using now. (Recommended)** by clicking on it. Then click on **Next**.
- 10** Put a check mark in the **Floppy disk drives** check box by clicking on it.
- 11** Insert the Display Driver Diskette (NM2160) for Windows 98/95 into the diskette drive, and click on **Next**.
- 12** When a message appears that Windows has found **NeoMagic MagicGraph 128XD**, click on **Next**.
If you are prompted for the source directory, type A:\
- 13** Click on **Finish**.
- 14** Remove the diskette from the diskette drive, and click on **Yes** to restart the computer.
- 15** When the computer restarts, select screen settings for the color palette, desktop area, and font size; then click on **Close**.
- 16** Click on **Start**.
- 17** Move the cursor to **Settings**; then click on **Control Panel**.
- 18** Double-click on the **Display** icon.
- 19** Click on the **Setting** tab.

20 Set the Colors and Screen areas in the “Display Properties” window.

21 Click on **OK** to close the window.

Installing the Display Driver for Windows 95

To install the display driver for Windows 95, do the following:

1 Start Windows 95.

2 Click on **Start**.

3 Move the cursor to **Settings**; then click on **Control Panel**.

4 Double-click on **Display**; then click on the **Settings** tab.

5 Click on **Advanced Properties**.

6 Click on the **Adapter** tab; then click on **Change...**

7 Click on **Have Disk...**

8 Insert the Display Driver Diskette (NM2160) for Windows 98/95 into the diskette drive, and click on **OK**.

9 Click on **NeoMagic MagicGraph 128XD**; then click on **OK**.

10 Click on **Close**.

11 Remove the diskette from the diskette drive.

- 12** Select your screen parameters from the color palette, desktop area, and font size; then click on **Close**.
- 13** Specify the type of monitor as follows. (If you do not specify the type of monitor you want to use, your new settings might not function correctly.)
- Open the “Display Properties” window.
 - Click on the **Settings** tab.
 - Click on **Advanced Properties**.
 - In the “Advanced Display Properties” window, click on the **Monitor** tab.
 - Click on **Change...**
 - Click on **Show all devices**.
 - Specify **Manufacturers** and **Models** in the next window.

For example,

If you are using the LCD:

Manufacturers: (Standard monitor types)
Models: Laptop Display Panel
 (1024x768)

If you are using the external monitor:

Manufacturers: (Standard monitor types)
Models: Plug and Play Monitor

- Click on **OK**.

- Close all windows.

- 14** Follow the instructions on the screen.

Windows 95 prompts you to restart your computer to make the display driver change effective.

Installing Programs

If you want to view DVD movies, install the following programs from the supplied CD-ROM to your hard disk:

DVD Movie Player (DVD Express)
 DirectX 5.0

After installing the programs, you need to select the region code.

If you are not going to watch DVD movies—that is, if you are going to use the DVD drive only for reading DVD-ROMs or CD-ROMs—you do not need to install these programs.

To install the software programs, do as follows:

Installation Instructions for Windows 98

To install the DVD movie player program for Windows 98, do the following:

- Insert the DVD Software CD-ROM in the DVD drive.
- Click on **Start** and **Run...**
- Type `X:\DVDPLAYR\SETUP` and press **Enter**.

Note: X is the drive letter of the DVD drive.

Follow the instructions on the screen.

Installation Instructions for Windows 95

To install the DVD movie player program for Windows 95, do the following:

- 1** Install DirectX 5.0 (for OSR2.0 or OSR2.1 users).
 - a.** Insert the DVD Software CD-ROM in the DVD drive.
 - b.** Type `X:\DX5 \SETUPDX5 .EXE` and press **Enter**.
- 2** Install the DVD movie player program.
 - a.** Insert the DVD Software CD-ROM into the DVD drive.
 - b.** Click on **Start** and **Run....**
 - c.** Type `X:\DVDPLAYR\SETUP` and press **Enter**.

Note: X is the drive letter of the DVD drive.

Selecting the Region Code

DVD Region Codes

Regional coding is part of the protection scheme for DVD content. The world is divided into six regions, so that specific content can be viewed only in the region where it is appropriate. For example, Region 1 (U.S. and Canada) content can be viewed only in Region 1. The DVD Movie Player Program application is also region-specific.

You must select a region to play DVD content. After you have selected a region, you can play content only from that region. ***You cannot change the region code without reformatting the drive and reinstalling Windows 98.***

Make sure the first DVD content you play is from the appropriate region. You can verify the region code of the content by looking at the region code symbol on the back of the content packaging.

Attention: If the first DVD you play is from a region other than the region you selected, your system will no longer play DVD content. Contact the IBM PC HelpCenter. See Appendix A, "Help and Service Information" on page 2-1.

To select the region code, do the following:

- 1 Click on **Start**, move the cursor to **Programs** and **Mediamatics DVD Express**, and then click on **Mediamatics DVD Player**.

The “Select DVD Region” window appears.

- 2 Select the region code and click on **OK**.

Region Code	Country
1	U.S, Canada
2	Europe, Middle East, South Africa, Japan
3	Southeast Asia, Taiwan, Korea
4	Latin America, Australia, New Zealand
5	Former Soviet Union, the rest of Africa, India
6	People's Republic of China

Follow the instructions on the screen.

Viewing a DVD Movie

After you install the DVD drive and the programs, you can view a DVD movie by doing the following:

- 1 Insert a DVD into the DVD drive.

If you want to watch a DVD movie on your TV, refer to the *ThinkPad 600E User's Reference*.

- 2 Click on **Start**, move the cursor to **Programs**, and click on **Mediamatics DVD Express**.

- 3 Click on the **Mediamatics DVD Player**.

The “DVD movie player” window appears. For more information on how to play the DVD movie player, see the *Online User's Guide*.

Notes:

1. Your computer has been configured to provide the highest quality audio and video playback based on the available system resources. You can alter the default settings by changing the video resolution setting within the **Control Panel** of Windows 95 or Windows 98. Some systems do not have enough resources to provide full-quality audio and video playback at all resolution settings. If you experience poor playback performance, adjust the resolution to a lower setting.
2. Audio or video streams are decoded in software. The audio and video subsystems need to be fully functional and enabled.

Appendix A. Help and Service Information

If you have questions about your new Options by IBM product, or require technical assistance, visit the IBM Personal Computing Support Web site at <http://www.pc.ibm.com/support>. For information about IBM, IBM PC products, or Options by IBM, visit the IBM Personal Computing Web site at <http://www.pc.ibm.com>. Additionally, you can receive information from the IBM Automated Fax system at 1-800-426-3395 (in Canada, 1-800-465-3299), or from the Personal Systems Group Bulletin Board System (PSG BBS) at 1-919-517-0001. You can also get help and information through the IBM PC HelpCenter, 24 hours a day, seven days a week. Response time might vary depending on the number and nature of the calls received.

Marketing, installation, and configuration support through the HelpCenter will be withdrawn or made available for a fee, at IBM's discretion, 90 days after the option has been withdrawn from marketing. Additional support offerings, including step-by-step installation assistance, are available for a nominal fee.

During the warranty period, assistance for replacement or exchange of defective components is available. In addition, if your IBM option is installed in an IBM computer, you might be entitled to service at your

location. Your technical support representative can help you determine the best alternative.

Step 1. Problem Solving

You may be able to solve the problem yourself. Before calling the HelpCenter, please prepare for the call by following these steps:

1. If you are having installation or configuration problems, refer to the detailed sections on installation found in this manual, and review any README.TXT files found on the installation diskettes.
2. Visit the Personal Computing Support Web site specific to the model of option you have purchased. Updated installation instructions, hints and tips, or updated system-specific notes are often published in this section. You might find that later device drivers are available that will improve the performance and compatibility for your new option.

If you are installing this option in an IBM computer, also visit the applicable support Web page for that computer model. These pages might also contain useful hints and tips related to installation of this option and might refer to BIOS or device-driver updates required for your computer model. If you are installing the option in a non-IBM computer, refer to the manufacturer's Web site.

3. Uninstall and then reinstall the option. During the uninstallation process, be sure to remove any files that were installed during the previous installation. Many IBM options include uninstallation programs.
4. Check all cabling to be sure that it is correct as shown in this manual. When you connect a cable to a cable connector, pay close attention to the colored stripes along the edge of the cable, and ensure that they are matched with PIN 1 on both the computer connector and the option connector.
5. If your option contains jumpers or switches, be sure their positions and orientation match the instructions in this manual.

Step 2. Preparing for the Call

To assist the technical support representative, have available as much of the following information as possible:

1. Option name
2. Option number
3. Proof of purchase
4. Computer manufacturer, model, serial number (if IBM), and manual
5. Exact wording of the error message (if any)
6. Description of the problem
7. Hardware and software configuration information for your system

If possible, be at your computer. Your technical support representative might want to walk you through the problem during the call.

Step 3. Placing the Call to IBM

If you call 90 days or more after the date of withdrawal or after your warranty has expired, you might be charged a fee.

For the support telephone number and support hours by country, refer to the following table or to the enclosed technical support insert. If the number is not provided, contact your IBM reseller or IBM marketing representative.

<i>Support 24 hours a day, 7 days a week</i>	
Canada	1-800-565-3344
U.S.A. or Puerto Rico	1-800-772-2227

Additional Technical Support Resources

Online technical support is available during the life of your product. Online assistance can be obtained through the Personal Computing Support Web site, the PSG Electronic Bulletin Board System (BBS), and the IBM Automated Fax System.

<i>Online Technical Support</i>	
IBM Personal Computing Support Web site	http://www.pc.ibm.com/support
IBM PSG BBS	1-919-517-0001
IBM Automated Fax System	1-800-426-3395 1-800-465-3299 (in Canada)

Appendix B. Product Warranty

The following warranty information applies to products purchased in the United States, Canada, and Puerto Rico. For warranty terms and conditions for products purchased in other countries, see the enclosed warranty insert, or contact your IBM reseller or IBM marketing representative.

International Business Machines Corporation

Armonk, New York 10504

Statement of Limited Warranty

The warranties provided by IBM in this Statement of Limited Warranty apply only to Machines you originally purchase for your use, and not for resale, from IBM or your reseller. The term "Machine" means an IBM machine, its features, conversions, upgrades, elements, or accessories, or any combination of them. Unless IBM specifies otherwise, the following warranties apply only in the country where you acquire the Machine. If you have any questions, contact IBM or your reseller.

Machine: UltralimBay DVD Drive

Warranty Period*: One year

**Contact your place of purchase for warranty service information.*

Production Status

Each Machine is manufactured from new parts, or new and used parts. In some cases, the Machine may not be new and may have been previously installed. Regardless of the Machine's production status, IBM's warranty terms apply.

The IBM Warranty for Machines

IBM warrants that each Machine 1) is free from defects in materials and workmanship and 2) conforms to IBM's Official Published Specifications. The warranty period for a Machine is a specified, fixed period commencing on its Date of Installation. The date on your receipt is the Date of Installation, unless IBM or your reseller informs you otherwise.

During the warranty period IBM or your reseller, if authorized by IBM, will provide warranty service under the type of service designated for the Machine and will manage and install engineering changes that apply to the Machine.

For IBM or your reseller to provide warranty service for a feature, conversion, or upgrade, IBM or your reseller may require that the Machine on which it is installed be 1) for certain Machines, the designated, serial-numbered Machine and 2) at an engineering-change level compatible with the feature, conversion, or upgrade. Many of these transactions involve the removal of parts and their return to IBM. You represent that all removed parts are genuine and unaltered. A part that replaces a removed part will assume the warranty service status of the replaced part.

If a Machine does not function as warranted during the warranty period, IBM or your reseller will repair it or replace it with one that is at least functionally equivalent, without charge. The replacement may not be new, but will be in good working order. If IBM or your reseller is unable to repair or replace the Machine, you may return it to your place of purchase and your money will be refunded.

If you transfer a Machine to another user, warranty service is available to that user for the remainder of the warranty period. You should give your proof of purchase and this Statement to that user. However, for Machines which have a lifetime warranty, this warranty is not transferable.

Warranty Service

To obtain warranty service for the Machine, you should contact your reseller or call IBM. In the United States, call IBM at **1-800-772-2227**. In Canada, call IBM at **1-800-565-3344**. You may be required to present proof of purchase.

IBM or your reseller will provide certain types of repair and exchange service, either at your location or at IBM's or your reseller's service center, to restore a Machine to good working order.

When a type of service involves the exchange of a Machine or part, the item IBM or your reseller replaces becomes its property, and the replacement becomes yours. You represent that all removed items are genuine and unaltered. The replacement may not be new, but will be in good working order and at least functionally equivalent to the item replaced. The replacement assumes the warranty service status of the replaced item. Before IBM or your reseller exchanges a Machine or part, you agree to remove all features, parts, options, alterations, and attachments not under warranty service. You also agree to ensure that the Machine is free of any legal obligations or restrictions that prevent its exchange.

You agree to:

1. obtain authorization from the owner to have IBM or your reseller service a Machine that you do not own; and
2. where applicable, before service is provided —
 - a. follow the problem determination, problem analysis, and service request procedures that IBM or your reseller provide,
 - b. secure all programs, data, and funds contained in a Machine, and
 - c. inform IBM or your reseller of changes in a Machine's location.

IBM is responsible for loss of, or damage to, your Machine while it is 1) in IBM's possession or 2) in transit in those cases where IBM is responsible for the transportation charges.

Extent of Warranty

IBM does not warrant uninterrupted or error-free operation of a Machine.

The warranties may be voided by misuse, accident, modification, unsuitable physical or operating environment, improper maintenance by you, removal or alteration of Machine or parts identification labels, or failure caused by a product for which IBM is not responsible.

THESE WARRANTIES REPLACE ALL OTHER WARRANTIES OR CONDITIONS, EXPRESS OR IMPLIED, INCLUDING, BUT NOT LIMITED TO, THE IMPLIED WARRANTIES OR CONDITIONS OF MERCHANTABILITY AND FITNESS FOR A PARTICULAR PURPOSE. THESE WARRANTIES GIVE YOU SPECIFIC LEGAL RIGHTS AND YOU MAY ALSO HAVE OTHER RIGHTS WHICH VARY FROM JURISDICTION TO JURISDICTION. SOME JURISDICTIONS DO NOT ALLOW THE EXCLUSION OR LIMITATION OF EXPRESS OR IMPLIED WARRANTIES, SO THE ABOVE EXCLUSION OR LIMITATION MAY NOT APPLY TO YOU. IN THAT EVENT SUCH WARRANTIES ARE LIMITED IN DURATION TO THE WARRANTY PERIOD. NO WARRANTIES APPLY AFTER THAT PERIOD.

Limitation of Liability

Circumstances may arise where, because of a default on IBM's part or other liability, you are entitled to recover damages from IBM. In each such instance, regardless of the basis on which you are entitled to claim damages from IBM (including fundamental breach, negligence, misrepresentation, or other contract or tort claim), IBM is liable only for:

1. damages for bodily injury (including death) and damage to real property and tangible personal property; and

2. the amount of any other actual direct damages or loss, up to the greater of U.S. \$100,000 or the charges (if recurring, 12 months' charges apply) for the Machine that is the subject of the claim.

UNDER NO CIRCUMSTANCES IS IBM LIABLE FOR ANY OF THE FOLLOWING:

1. THIRD-PARTY CLAIMS AGAINST YOU FOR LOSSES OR DAMAGES (OTHER THAN THOSE UNDER THE FIRST ITEM LISTED ABOVE);
2. LOSS OF, OR DAMAGE TO, YOUR RECORDS OR DATA;
OR
3. SPECIAL, INCIDENTAL, OR INDIRECT DAMAGES OR FOR ANY ECONOMIC CONSEQUENTIAL DAMAGES (INCLUDING LOST PROFITS OR SAVINGS), EVEN IF IBM OR YOUR RESELLER IS INFORMED OF THEIR POSSIBILITY. SOME JURISDICTIONS DO NOT ALLOW THE EXCLUSION OR LIMITATION OF INCIDENTAL OR CONSEQUENTIAL DAMAGES, SO THE ABOVE EXCLUSION OR LIMITATION MAY NOT APPLY TO YOU.

Appendix C. Notices

References in this publication to IBM products, programs, or services do not imply that IBM intends to make these available in all countries in which IBM operates. Any reference to an IBM product, program, or service is not intended to state or imply that only that IBM product, program, or service may be used. Any functionally equivalent product, program, or service that does not infringe any of the intellectual property rights of IBM may be used instead of the IBM product, program, or service. The evaluation and verification of operation in conjunction with other products, except those expressly designated by IBM, are the responsibility of the user.

IBM may have patents or pending patent applications covering subject matter in this document. The furnishing of this document does not give you any license to these patents. You can send license inquiries, in writing, to the IBM Director of Licensing, IBM Corporation, 500 Columbus Avenue, Thornwood, NY 10594, U.S.A.

Trademarks

The following terms are trademarks of the IBM Corporation in the United States or other countries or both:

IBM
ThinkPad

DirectX, Windows, Windows NT, Windows 95, and the Windows 95 flag logo are trademarks or registered trademarks of Microsoft Corporation.

DVD-to-Go is a trademark of MARGI Systems.

Other company product, and service names, which may be denoted by a double asterisk (**), may be trademarks or service marks or others.

IBM

Part Number: 27L2579

Printed in the United States of America



Free Manuals Download Website

<http://myh66.com>

<http://usermanuals.us>

<http://www.somanuals.com>

<http://www.4manuals.cc>

<http://www.manual-lib.com>

<http://www.404manual.com>

<http://www.luxmanual.com>

<http://aubethermostatmanual.com>

Golf course search by state

<http://golfingnear.com>

Email search by domain

<http://emailbydomain.com>

Auto manuals search

<http://auto.somanuals.com>

TV manuals search

<http://tv.somanuals.com>