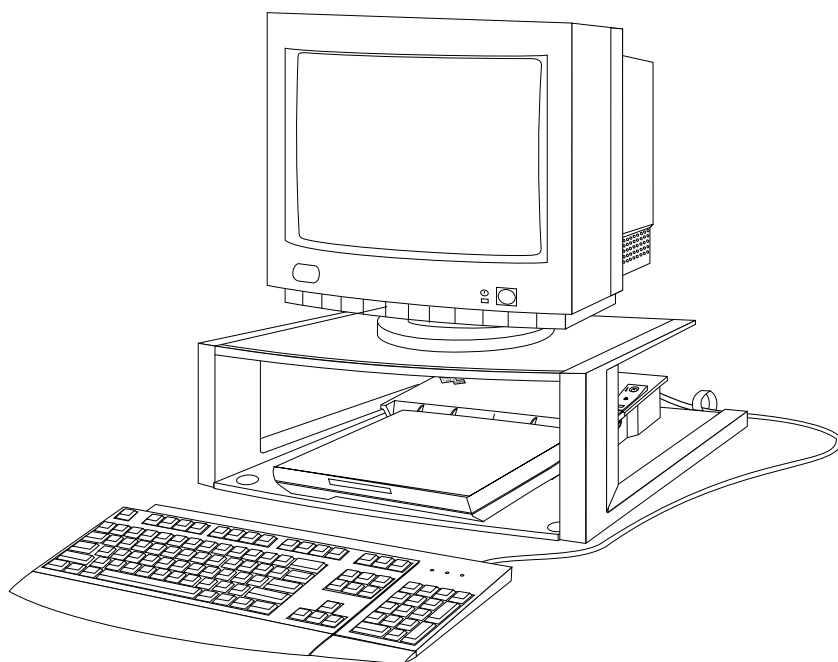
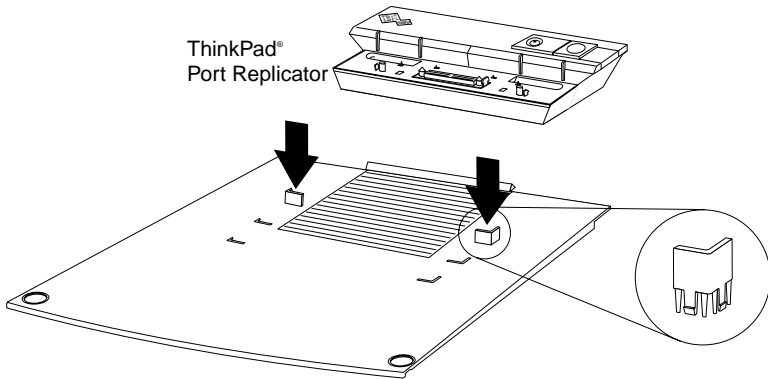
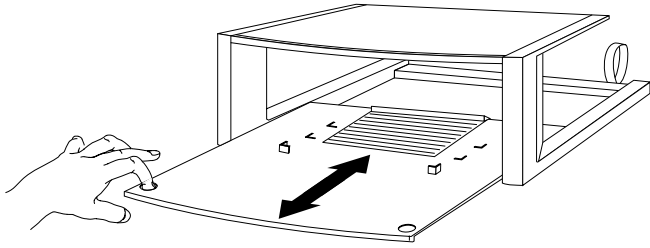
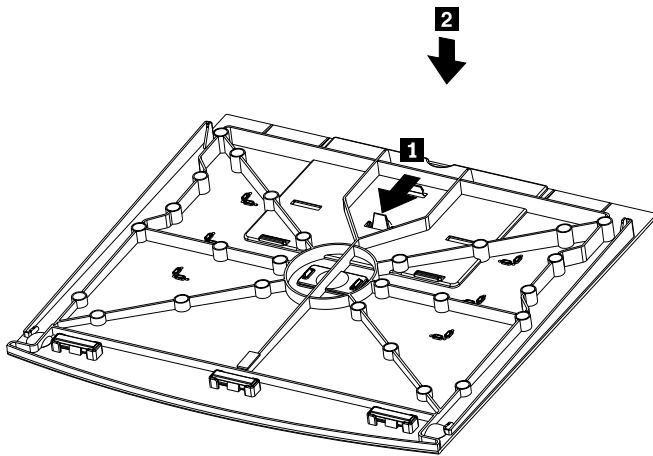
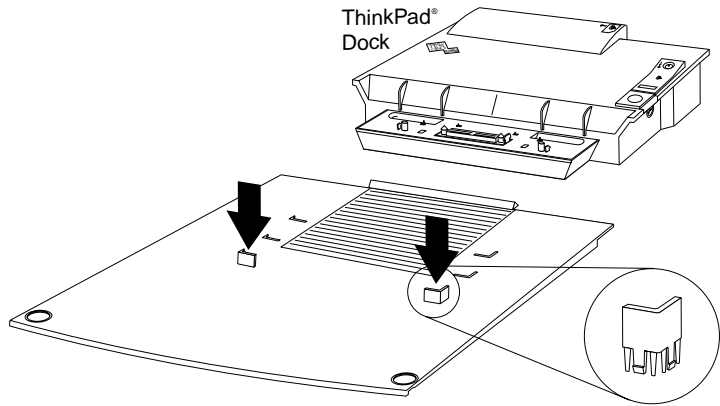


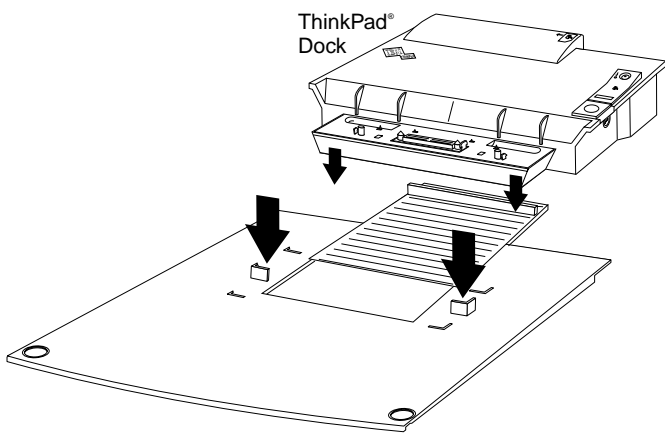
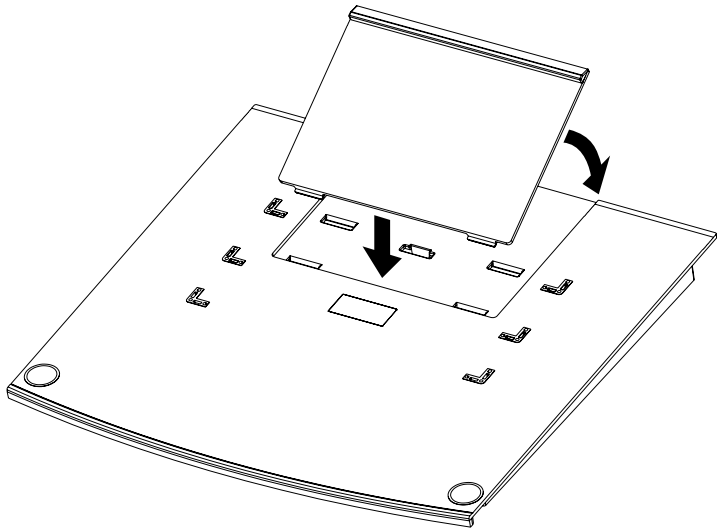
OPTIONS
by IBM

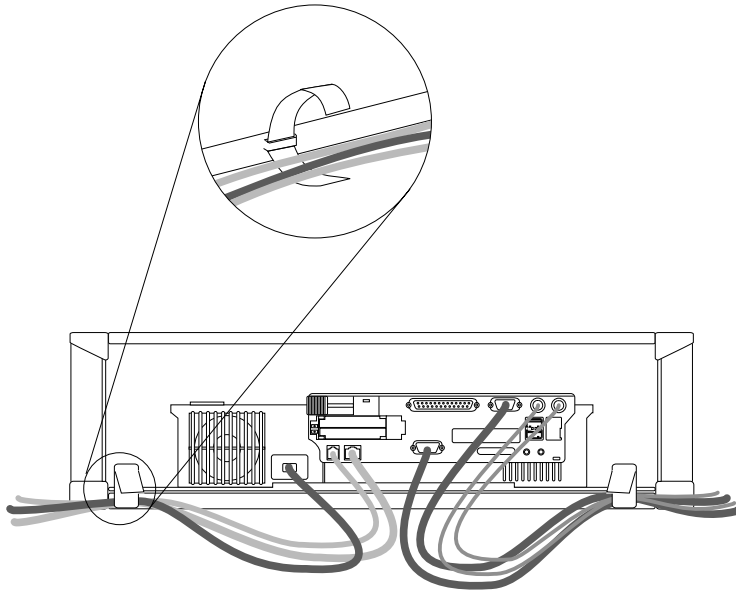
**Installing your IBM® ThinkPad®
Monitor Stand 2001**



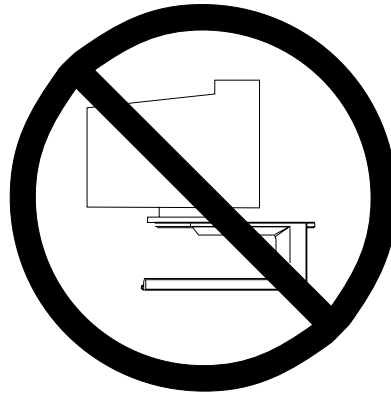
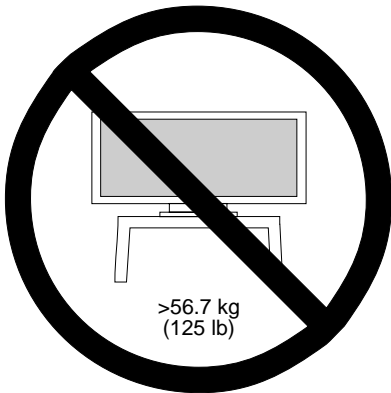
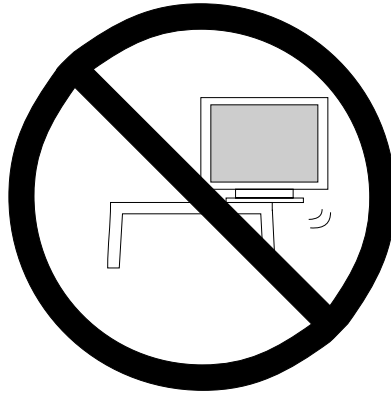








Leave extra cable length
(as shown) for easy tray slide.



22P5267

Printed in the U.S.A.

© Copyright International Business Machines Corporation 2001. All rights reserved

Note to U.S. Government Users – Documentation related to restricted rights – Use, duplication or disclosure is subject to restrictions set forth in GSA ADP Schedule Contract with IBM Corp.

HelpCenter, IBM, and ThinkPad are trademarks of the IBM corporation in the United States, other countries, or both.



22P5267

Free Manuals Download Website

<http://myh66.com>

<http://usermanuals.us>

<http://www.somanuals.com>

<http://www.4manuals.cc>

<http://www.manual-lib.com>

<http://www.404manual.com>

<http://www.luxmanual.com>

<http://aubethermostatmanual.com>

Golf course search by state

<http://golfingnear.com>

Email search by domain

<http://emailbydomain.com>

Auto manuals search

<http://auto.somanuals.com>

TV manuals search

<http://tv.somanuals.com>