

Cisco IP Telephony Technology Pack User's Guide

Notices

This information was developed for products and services offered in the U.S.A. IBM® may not offer the products, services, or features discussed in this document in other countries. Consult your local IBM representative for information about the products and services currently available in your area. Any reference to an IBM product, program, or service is not intended to state or imply that only that IBM product, program, or service may be used. Any functionally equivalent product, program, or service that does not infringe any IBM intellectual property right may be used instead. However, it is the user's responsibility to evaluate and verify the operation of any non-IBM product, program, or service.

IBM may have patents or pending patent applications covering subject matter described in this document. The furnishing of this document does not give you any license to these patents. You can send license inquiries, in writing, to:

IBM Director of Licensing
IBM Corporation
North Castle Drive
Armonk, NY 10504-1785 U.S.A.

For license inquiries regarding double-byte (DBCS) information, contact the IBM Intellectual Property Department in your country or send inquiries, in writing, to:

IBM World Trade Asia Corporation
Licensing
2-31 Roppongi 3-chome, Minato-ku
Tokyo 106, Japan

The following paragraph does not apply to the United Kingdom or any other country where such provisions are inconsistent with local law:

INTERNATIONAL BUSINESS MACHINES CORPORATION PROVIDES THIS PUBLICATION "AS IS" WITHOUT WARRANTY OF ANY KIND, EITHER EXPRESS OR IMPLIED, INCLUDING, BUT NOT LIMITED TO, THE IMPLIED WARRANTIES OF NON-INFRINGEMENT, MERCHANTABILITY OR FITNESS FOR A PARTICULAR PURPOSE.

Some states do not allow disclaimer of express or implied warranties in certain transactions, therefore, this statement might not apply to you.

This information could include technical inaccuracies or typographical errors. Changes are periodically made to the information herein; these changes will be

incorporated in new editions of the publication. IBM may make improvements and/or changes in the product(s) and/or the program(s) described in this publication at any time without notice.

Any references in this information to non-IBM Web sites are provided for convenience only and do not in any manner serve as an endorsement of those Web sites. The materials at those Web sites are not part of the materials for this IBM product and use of those Web sites is at your own risk.

IBM may use or distribute any of the information you supply in any way it believes appropriate without incurring any obligation to you.

Licensees of this program who wish to have information about it for the purpose of enabling: (i) the exchange of information between independently created programs and other programs (including this one) and (ii) the mutual use of the information which has been exchanged, should contact:

IBM Corporation
2Z4A/101
11400 Burnet Road
Austin, TX 78758
U.S.A.

Such information may be available, subject to appropriate terms and conditions, including in some cases payment of a fee.

The licensed program described in this document and all licensed material available for it are provided by IBM under terms of the IBM Customer Agreement, IBM International Program License Agreement or any equivalent agreement between us.

Any performance data contained herein was determined in a controlled environment. Therefore, the results obtained in other operating environments may vary significantly. Some measurements may have been made on development-level systems and there is no guarantee that these measurements will be the same on generally available systems. Furthermore, some measurement may have been estimated through extrapolation. Actual results may vary. Users of this document should verify the applicable data for their specific environment.

Information concerning non-IBM products was obtained from the suppliers of those products, their published announcements or other publicly available sources. IBM has not tested those products and cannot confirm the accuracy of performance, compatibility or any other claims related to non-IBM products.

Questions on the capabilities of non-IBM products should be addressed to the suppliers of those products.

All statements regarding IBM's future direction or intent are subject to change or withdrawal without notice, and represent goals and objectives only.

This information is for planning purposes only. The information herein is subject to change before the products described become available.

This information contains examples of data and reports used in daily business operations. To illustrate them as completely as possible, the examples include the names of individuals, companies, brands, and products. All of these names are fictitious and any similarity to the names and addresses used by an actual business enterprise is entirely coincidental.

COPYRIGHT LICENSE:

This information contains sample application programs in source language, which illustrate programming

techniques on various operating systems. You may copy, modify, and distribute these sample programs in any form without payment to IBM, for the purposes of developing, using, marketing or distributing application programs conforming to the application programming interface for the operating system for which the sample programs are written. These examples have not been thoroughly tested under all conditions. IBM, therefore, cannot guarantee or imply reliability, serviceability, or function of these programs. You may copy, modify, and distribute these sample programs in any form without payment to IBM for the purposes of developing, using, marketing, or distributing application programs conforming to IBM's application programming interfaces.

If you are viewing this information in softcopy form, the photographs and color illustrations might not appear.

Trademarks

AIX[®], DB2[®], developerWorks[®], eServer, i5/OS[®], IBM[®], the IBM logo[®], IBMLink, iSeries[®], Lotus[®], Netcool[®], Netcool/Proviso[®], OMEGAMON[®], Passport Advantage[®], pSeries[®], Rational[®], Redbooks[®], OS/390[®], OS/400[®], Tivoli[®], the Tivoli logo[®], Tivoli Enterprise Console[®], WebSphere[®], and zSeries[®] are trademarks or registered trademarks of International Business Machines Corporation in the United States, other countries, or both.

Intel[®] is a registered trademark of Intel Corporation or its subsidiaries in the United States, other countries, or both.

Linux is a trademark of Linus Torvalds in the United States, other countries, or both.

Microsoft[®] and Windows[®] are registered trademarks of Microsoft Corporation in the United States, other countries, or both.



Java[™] and all Java-based trademarks and logos are trademarks or registered trademarks of Sun Microsystems, Inc. in the United States, other countries, or both.

UNIX[®] is a registered trademark of The Open Group in the United States and other countries.

Other company, product, and service names may be trademarks or service marks of others.

Copyright International Business Machines Corporation 2008. All rights reserved.

US Government Users Restricted Rights — Use, duplication or disclosure restricted by GSA ADP Schedule Contract with IBM Corp.

Contents

- Audience xix
- Organization xix

- Chapter 1: Introduction 1**
 - Overview 1
 - How is the Data Collected? 1
 - Inventory 1
 - Collection 2
 - How is the Data Processed and Loaded into the Database? 2
 - CME Operation 3
 - How is the Data Reported? 3

- Chapter 2: Supported Reports 7**
 - Overview 7
 - Reporter Sets 7
 - Reporter Set Tree 7
 - Reports 9
 - CCM Server Quality Resource Detail Chart 12
 - CCM Server Quality Resource 13
 - CCM Sql Server Group 14
 - CCM Sql Server Resource Detail Chart 15
 - CCM Sql Server Resource 16
 - CDR Call Distribution Detail Chart 17
 - CDR Call Distribution Group 18
 - CDR Call Distribution Resource 19
 - CDR Quality Detail Chart 21
 - CDR Quality Group 23
 - CDR Quality Resource 24
 - CDR Utilization Detail Chart 26
 - CDR Utilization Group 27
 - CDR Utilization Resource 28
 - CDR VoiceMail Usage Detail Chart 30
 - CDR VoiceMail Usage Resource 31

Cluster Call Distribution Detail Chart	33
Cluster Call Distribution Group.	34
Cluster Call Distribution Resource.	35
Cluster Erlang-B Group	36
Cluster IP vs Legacy Detail Chart	37
Cluster IP vs Legacy Resource	38
Cluster Quality Detail Chart	39
Cluster Quality Group	40
Cluster Quality Resource	41
Cluster Utilization Detail Chart	43
Cluster Utilization Group.	44
Cluster Utilization MLH Resource.	45
Cluster Utilization Resource	46
Cluster VoiceMail Usage Detail Chart	47
Cluster VoiceMail Usage Resource.	48
Errors on Cluster by Codec	49
Gatekeeper Availability Resource Detail Chart	51
Gatekeeper Availability Resource	52
Gatekeeper Device Quality Resource Detail Chart	53
Gatekeeper Device Quality Resource.	54
Gatekeeper Interface Availability Resource Detail Chart	55
Gatekeeper Interface Availability Resource	56
Gatekeeper Interface Utilization Resource Detail Chart.	57
Gatekeeper Interface Utilization Resource	58
Global VOIP.	59
K-Factor Detail Chart.	61
K-Factor Group	62
K-Factor Resource	64
Media Device Group	66
Media Device Resource Detail Chart.	67
Media Device Resource	68
Perfmon Active Calls Detail Chart.	69
Perfmon Active Calls Group	70
Perfmon Active Calls Resource	71
Perfmon MOH Detail Chart	73
Perfmon MOH Group	74

Perfmon MOH Resource	75
Perfmon PSTN Detail Chart	76
Perfmon PSTN Group	77
Perfmon PSTN Resource	78
Perfmon Security Detail Chart	80
Perfmon Security Group	81
Perfmon Security Resource	82
PSTN Gateway Availability Resource Detail Chart	84
PSTN Gateway Availability Resource	85
PSTN Gateway Device DS0 Usage Detail Chart	86
PSTN Gateway Device Quality Resource Detail Chart	87
PSTN Gateway Device Quality Resource	88
PSTN Gateway DSP Card Resource Detail Chart	89
PSTN Gateway DSP Card Resource	90
PSTN Gateway E1/T1 Availability Resource Detail Chart	91
PSTN Gateway E1/T1 Interface Utilization Resource Detail Chart	92
PSTN Gateway E1/T1 Interface Utilization Resource	93
PSTN Gateway E1/T1 Availability Resource	94
Top 10 CDR Call Completion	95
Top 10 CDR Call Duration	97
Top 10 CDR K-Factor	99
Top 10 CDR Number of Calls	101
Top 10 CDR Number of Errors	103
Top 10 Cluster Call Completion	105
Top 10 Cluster Number of Calls	106
Top 10 Cluster Number of Errors	107
Top 10 E1/T1 Utilization Resource	108
Chapter 3: Devices and Services	111
Overview	111
Summary of Device Technology	111
Categories of Service Reporting	112
Services and Devices Monitored	112
Sources of Collected Data	113
Collecting CDR and CMR Data with Cisco CallManager	113
Troubleshooting Note for SQL Requests	114
Collecting CDR, CMR, and Perfmon Data with Cisco Unified Call Manager	115

Pre-Requisites	116
SNMP Access	116
Cisco CallManager Configuration	116
Supported MIBs	117
Chapter 4: Element and Sub-Element Properties.....	119
Overview	119
AP_ifType	120
CDRclusterId	121
CDRcustomerId	122
CDRsiteId	123
cdrType	124
clusterId	125
customerId	126
Element.NAME	127
Element.STATE	128
FAMILY	129
NAME	130
siteId	131
STATE	132
VoIPCallMgrClusterId	133
VoIPCallMgrCustomerId	134
VoIPCallMgrDSPMaxChannel	135
VoIPCallMgrFileSystemName	136
VoIPCallMgrGatewayIpAddress	137
VoIPCallMgrGatewayName	138
VoIPCallMgrGatewayType	139
VoIPCallMgrMediaDeviceIpAddress	140
VoIPCallMgrMediaDeviceName	141
VoIPCallMgrMediaDeviceType	142
VoIPCallMgrProcessName	143
VoIPCallMgrSerialOrDsp	144
VoIPCallMgrServerDescr	145
VoIPCallMgrServerId	146
VoIPCallMgrServerVersion	147
VoIPCallMgrSqlDbName	148

VoIPDeviceType.....	149
Chapter 5: Defined Resources.....	151
Overview.....	151
Cisco IP Telephony Technology Pack Resources.....	151
Sub-Element Types.....	153
Tables of Sub-Element Types.....	153
Chapter 6:Sub-Element Grouping Rules.....	163
Overview.....	163
NOC Grouping.....	164
Global Customer View Branch.....	164
IP Telephony Call Detail Record Branch.....	166
Infrastructure Branch.....	169
Sub-Element Collect Grouping.....	171
Chapter 7: Collection Formulas.....	175
Overview.....	175
Data Collection.....	176
Formulas and Metrics.....	176
Formula Reference.....	177
AttendantConsoleClientsOnline.....	178
AttendantConsoleClientsRegistered.....	179
AuthenticatedCallsActive.....	180
AuthenticatedPartiallyRegisteredPhone.....	181
AuthenticatedRegisteredPhones.....	182
Availability (percent).....	183
BRChannelsActive.....	184
BRISpansInService.....	185
CallDuration.....	186
CallsActive.....	187
CallsInProgress.....	188
CauseCallRejected.....	189
CauseChannelUnacceptable.....	190
CauseDestinationOutOfOrder.....	191
CauseInvalidNumberFormat.....	192

CauseMisdialedTrunkPrefix	193
CauseNetworkOutOfOrder	194
CauseNoAnswerFromUser.	195
CauseNoChannelAvailable	196
CauseNoRouteToDestination.	197
CauseNoRouteTransitNetwork	198
CauseNoUserResponding.	199
CauseNumberChanged.	200
CauseOther	201
CauseResourceUnavailable	202
CauseSubscriberAbsent	203
CauseSwitchCongestion	204
CauseTemporaryFailure	205
CauseUnassignedNumber.	206
CauseUserBusy	207
CCM CPU Utilization (percent) (avg last 5 mn)	208
CCM Media Device Registration Availability (percent).	209
CCM Physical Memory Utilization (percent).	210
CCM Registered CTI Devices (Nb) (Gauge).	211
CCM Registered Devices (Nb) (Gauge).	212
CCM Registered Gateways (Nb) (Gauge)	213
CCM Registered Media Devices (Nb) (Gauge)	214
CCM Registered Phones (Nb) (Gauge)	215
CCM Registered VoiceMail Devices (Nb) (Gauge).	216
CCM Rejected Devices (Nb) (Gauge)	217
CCM SQL Server Availability percentage	218
CCM SQL Server Cache Hit ratio (percent)	219
CCM SQL Server free buffers (Nb).	220
CCM SQL Server number active user connections.	221
CCM SQL Server number of blocked users	222
CCM SQL Server number of locks blocking processes	223
CCM SQL Server number of locks	224
CCM SQL Server number of pending rw	225
CCM SQL Server Total number of Pages	226
CCR	227
Cluster Erlang	228

Cluster Number of Direct VoiceMail Calls (Nb)	229
Cluster Percentage of Company Calls (percent)	230
Cluster Percentage of Drop Calls (percent)	231
Cluster Percentage of Normal Call Clearing (percent)	232
Cluster Percentage of Packet Lost (percent)	233
Cluster Percentage of Successful Calls (percent)	234
Cluster Percentage of TollBypass Calls (percent)	235
Cluster Total Hours of Traffic	236
Cluster Total Number of Company Calls (Nb)	237
Cluster Total Number of Company IP Calls (Nb)	238
Cluster Total Number of Company LegacyPBX Calls (Nb)	239
Cluster Total Number of External Calls (Nb)	240
Cluster Total Number of Normal Call Clearing	241
Cluster Total Number of Outgoing External Calls (Nb)	242
ClusterBlocking	243
ClusterCallDuration	244
ClusterCauseCallRejected	245
ClusterCauseChannelUnacceptable	246
ClusterCauseDestinationOutOfOrder	247
ClusterCauseInvalidNumberFormat	248
ClusterCauseMisdialedTrunkPrefix	249
ClusterCauseNetworkOutOfOrder	250
ClusterCauseNoAnswerFromUser	251
ClusterCauseNoChannelAvailable	252
ClusterCauseNoRouteToDestination	253
ClusterCauseNoRouteTransitNetwork	254
ClusterCauseNoUserResponding	255
ClusterCauseNumberChanged	256
ClusterCauseOther	257
ClusterCauseResourceUnavailable	258
ClusterCauseSubscriberAbsent	259
ClusterCauseSwitchCongestion	260
ClusterCauseTemporaryFailure	261
ClusterCauseUnassignedNumber	262
ClusterCauseUserBusy	263
ClusterDropCall	264

ClusterErlangB	265
ClusterErlang	266
ClusterForwardToVoiceMail	267
ClusterIncomingCall	268
ClusterInternalCall	269
ClusterInternationalCall	270
ClusterIntersiteIPCall	271
ClusterIntersiteLegacyPBXCall	272
ClusterIntrasiteIPCall	273
ClusterIntrasiteLegacyPBXCall	274
ClusterJitter	275
ClusterLatency	276
ClusterLines	277
ClusterLocalCall	278
ClusterLongDistanceCall	279
ClusterMOS	280
ClusterNbPacketsLost	281
ClusterNbPacketsReceived	282
ClusterNbPacketsSent	283
ClusterOffNetCall	284
ClusterOnNetCall	285
ClusterShortCall	286
ClusterSuccessfulCall	287
ClusterTollBypassCall	288
ClusterTotalCall	289
ClusterTotalHoursOfTraffic	290
ClusterUnsuccessfulCall	291
ClusterVoicemailCallDuration	292
ClusterVoiceMailCall	293
ClusterVoicemailPackets	294
CS	295
DropCall	296
DSP Card Availability (percent)	297
DSP Card Resource Utilization (percent)	298
EncryptedCallsActive	299
EncryptedPartiallyRegisteredPhones	300

EncryptedRegisteredPhones	301
ForwardToVoiceMail	302
FXOPortsActive	303
FXOPortsInService	304
FXSPortsActive	305
FXSPortsInService	306
Gatekeeper Buffer Utilization (percent)	307
Gatekeeper Call Setup Quality (percent)	308
Gatekeeper CPU Utilization (percent) (avg last 5 mn)	309
Gatekeeper ICMP Inbound Errors (percent)	310
Gatekeeper ICMP Outbound Errors (percent)	311
Gatekeeper Packet Errors (Nb)	312
Gatekeeper Total Number of Admission Rejects (Nb)	313
Gatekeeper Total Number of Admission Requests (Nb)	314
Gatekeeper Total Number of Concurrent Calls (Nb) (Gauge)	315
Gatekeeper Total Number of Location Rejects (Nb)	316
Gatekeeper Total Number of Location Requests (Nb)	317
Gatekeeper Total Number of Registered EndPoints (Nb)	318
Gatekeeper Total Packets (Nb)	319
GatewayCallsActive	320
H323CallsActive	321
H323CallsInProgress	322
HuntlistCallsActive	323
HuntlistCallsInProgress	324
ICR	325
ICRmx	326
Inbound Loss (percent)	327
Incoming	328
Interface Availability (percent)	329
Interface Availability (percent)	330
Interface Availability (percent)	331
Interface Bandwidth Utilization In (percent)	332
Interface Bandwidth Utilization In (percent)	333
Interface Bandwidth Utilization Out (percent)	334
Interface Bandwidth Utilization Out (percent)	335
Interface Packet Loss (percent)	336

Interface Packet Loss (percent)	337
Interface Throughput In (kbps)	338
Interface Throughput In (kbps)	339
Interface Throughput Out (kbps)	340
Interface Throughput Out (kbps)	341
Internal	342
International	343
IntersiteIPCall	344
IntersiteLegacyPBXCall	345
IntrasiteIPCall	346
IntrasiteLegacyPBXCall	347
isCallee	348
isCaller	349
Jitter	350
Latency	351
Local	352
LongDistance	353
MLQKav	354
MLQK	355
MLQKmn	356
MOHMulticastResourceActive	357
MOHMulticastResourceAvailable	358
MOHTotalMulticastResources	359
MOHTotalUnicastResources	360
MOHUnicastResourceActive	361
MOHUnicastResourceAvailable	362
MOS	363
NbPacketsLost	364
NbPacketsReceived	365
NbPacketsSent	366
OffNet	367
OnNet	368
Outbound Loss (percent)	369
Percentage of Company Calls (percent) CME(Bulk) VOIP Cisco	370
Percentage of Drop Calls (percent) CME(Bulk) VOIP Cisco	371
Percentage of Packet Lost (percent) CME(Bulk) VOIP Cisco	372

Percentage of Successful Calls (Nb) CME(Bulk) VOIP Cisco	373
Percentage of TollBypass Calls (percent) CME(Bulk) VOIP Cisco	374
PSTN Gateway Active DS0 Channels (Nb) (Gauge)	375
PSTN Gateway Active DS0 Channels (Nb) (Gauge)	376
PSTN Gateway Active DS0 Channels (Nb)	377
PSTN Gateway Call Setup Quality (percent) (Successful / Total)	378
PSTN Gateway Call Setup Quality (percent) (successful / Total)	379
PSTN Gateway Call Setup Quality (percent) (successful / unsuccessful)	380
PSTN Gateway DS1 Active DS0 Channels (Nb)	381
PSTN Gateway ICMP Inbound Errors (percent)	382
PSTN Gateway ICMP Outbound Errors (percent)	383
PSTN Gateway Network Errors (percent)	384
PSTN Gateway Packet Discards	385
PSTN Gateway Total Active DS0 Channels (Nb) (Gauge)	386
PSTN Gateway Total Call Signaling Errors (Nb)	387
PSTN Gateway Total Calls per minute (calls/mn) (sum of all DS0s)	388
PSTN Gateway Total Number Calls Rejected (Nb)	389
PSTN Gateway Total Number of Calls (Nb)	390
PSTN Gateway Total Number of Calls (sum of all DS0s)	391
PSTN Gateway Total Number of Calls per mn (Calls/mn)	392
PSTN Gateway Total Number of Calls per mn (Calls/mn)	393
PSTN Gateway Total Number of Calls	394
PSTN Gateway Total Number of Successful Calls (Nb)	395
PSTN Gateway Total Number of Successful Calls (Nb)	396
PSTN Gateway Total Number of Successful Calls (Nb)	397
PSTN Gateway Total Number of Unsuccessful Calls (Nb)	398
PSTN Gateway Total Packets per Second	399
SCS	400
ShortCall	401
SIPCallsActive	402
SIPCallsInProgress	403
SNMP Availability (percent) (avg last hour)	404
SNMP Availability (percent) (avg last hour)	405
SNMP Availability (percent) (avg last hour)	406
SNMP Availability (percent) (avg last hour)	407
SNMP Response Time (ms) (avg last hour)	408

SNMP Response Time (ms) (avg last hour)	409
SNMP Response Time (ms) (avg last hour)	410
SNMP Unavailable (percent) (avg last hour)	411
SuccessfulCall	412
T1ChannelsActive	413
T1SpansInService	414
TollbypassCallDuration	415
TollBypassCall	416
Total Number of Calls (Nb) CME(Bulk) VOIP Cisco	417
Total Number of Outgoing External Calls (Nb)	418
Total Number of VoiceMail Direct Calls (Nb) CME(Bulk) VOIP Cisco	419
UnsuccessfulCall	420
VoicemailCallDuration	421
VoiceMailCall	422
VoicemailPackets	423
Chapter 8: Discovery Formulas	425
Overview	425
Netcool/Proviso Discovery Formula Tree	425
Discovery Formula Structure	426
The Results Line	426
CCM_Gateway_Device	427
CCM_Media_Device	428
CCM_Server_Device	429
CCM_Server_FileSystem	430
CCM_Server_Interface	431
CCM_Server_Process	432
CCM_Server_SqlDatabase	433
Gatekeeper_Device	434
PSTN_Gateway_Device	435
PSTN_Gateway_DSP_Card	437
Appendix A: Configuration	439
Overview	439
Before You Begin	439
Configure the Technology Pack	440

Other Tasks and Considerations	455
Verifying Resources	455
Appendix B: UBA Parameters Reference (443, Topology Editor)	457
UBA Parameters Reference	457
Appendix C: Template File Reference	485
Pack-Specific UBA Parameters	485

Preface

This manual describes the Netcool/Proviso Cisco IP Telephony Technology Pack, focusing on the Cisco IP Telephony environment. Specifically, the manual describes the reports for displaying information about the devices and technologies that operate in the Cisco IP Telephony environment. The manual also describes the data collection model, properties, resources, collection formulas, and metrics that the Cisco IP Telephony Technology Pack provides to create the associated reporter sets.

***Note:** This technology pack supports the Cisco CallManager (CCM) environment and its new implementation, the Cisco Unified Call Manager (CUCM) environment. Where this guide refers to Cisco CallManager or CCM, it also applies to Cisco Unified Call Manager (CUCM), unless an explicit distinction is made.*

Audience

The audiences for this manual are the network administration engineers at IBM customer sites who will install, configure, and use the Cisco IP Telephony Technology Pack as part of their Netcool/Proviso installation. IBM Professional Services engineers may also find this manual useful.

To install and use the Cisco IP Telephony Technology Pack, you should have a working knowledge of the following subjects:

- Netcool/Proviso DataMart
- TCP/IP networks
- Telecom network management
- Administration of the operating system

The audiences should also be familiar with the specific technology that the Cisco IP Telephony Technology Pack deals with, in this case Cisco IP Telephony.

Organization

This guide is organized as follows:

- Chapter 1, *Introduction*

Provides a general introduction to technology packs.

- Chapter 2, *Supported Reports*

Provides information about the reports that the Cisco IP Telephony Technology Pack provides for each device operating in the Cisco IP Telephony environment.

- Chapter 3, *Devices and Services*

Describes the devices and services that the Cisco IP Telephony Technology Pack supports.

- Chapter 4, *Element and Sub-Element Properties*
Describes the properties that the Cisco IP Telephony Technology Pack discovers during the inventory process.
- Chapter 6, *Sub-Element Grouping Rules*
Describes the sub-element collection grouping rules and the NOC reporting grouping rules that the Cisco IP Telephony Technology Pack defines.
- Chapter 5, *Defined Resources*
Provides information about the elements and sub-elements that the technology pack defines in the Proviso database.
- Chapter 7, *Collection Formulas*
Provides information about the SNMP and bulk collection formulas included in the Cisco IP Telephony Technology Pack.
- Chapter 8, *Discovery Formulas*
Provides information about the Discovery formulas that the Cisco IP Telephony Technology Pack provides for devices operating in the Cisco IP Telephony environment.
- Appendix A, *Configuration*
Describes how to configure the Cisco IP Telephony Technology Pack.
- Appendix B, *UBA Parameters Reference (443, Topology Editor)*
Provides Unix reference pages for each of the pack-specific UBA parameters supplied with the XSD file for the Cisco IP Telephony Technology Pack.
- Appendix C, *Template File Reference*
Explains the edits (using a text editor) that need to be made to pack-specific UBA parameters delivered in the pack's template file.

The Netcool/Proviso Product Suite

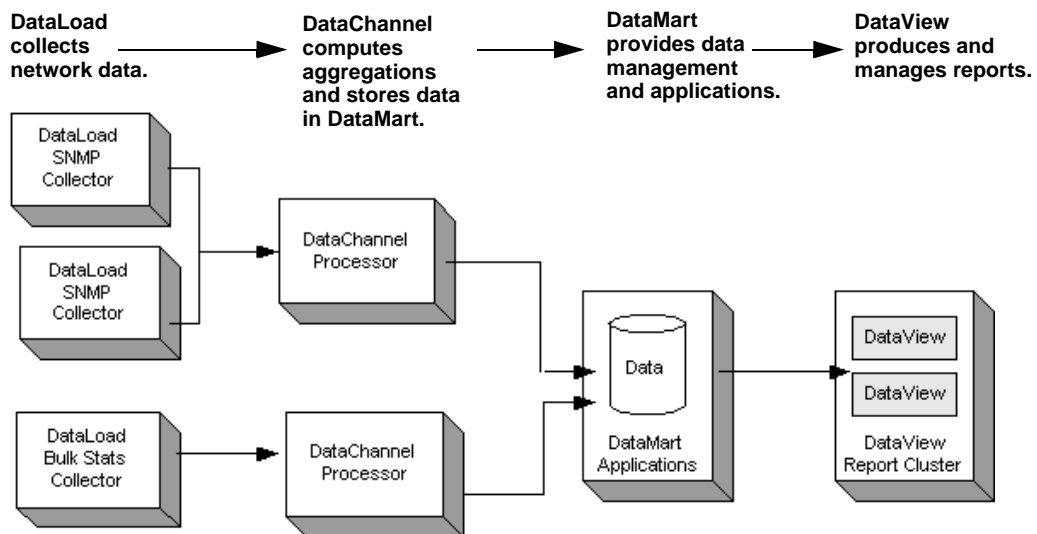
Netcool/Proviso is made up of the following components:

- **Netcool/Proviso DataMart** is a set of management, configuration and troubleshooting GUIs that the Netcool/Proviso System Administrator uses to define policies and configuration, as well as verify and troubleshoot operations.
- **Netcool/Proviso DataLoad** provides flexible, distributed data collection and data import of SNMP and non-SNMP data to a centralized database.
- **Netcool/Proviso DataChannel** aggregates the data collected through Netcool/Proviso DataLoad for use by the Netcool/Proviso DataView reporting functions. It also processes on-line calculations and detects real-time threshold violations.
- **Netcool/Proviso DataView** is a reliable application server for on-demand, web-based network reports.

- **Netcool/Proviso Technology Packs** extend the Netcool/Proviso system with service-ready reports for network operations, business development, and customer viewing.

The following figure shows the different Netcool/Proviso modules.

Figure 1: Netcool/Proviso Modules



Netcool/Proviso documentations consists of the following:

- release notes
- configuration recommendations
- user guides
- technical notes
- online help

The documentation is available for viewing and downloading on the infocenter at:

http://publib.boulder.ibm.com/infocenter/tivihelp/v8r1/index.jsp?topic=/com.ibm.netcool_proviso.doc/welcome.htm

Chapter 1: Introduction

This chapter discusses the following topics:

Topic	Page
<i>Overview</i>	1
<i>How is the Data Collected?</i>	1
<i>How is the Data Processed and Loaded into the Database?</i>	2
<i>How is the Data Reported?</i>	3

Overview

Netcool/Proviso Technology Packs are individually installed modules that contain discovery, grouping, collection, and reporting instructions created by Technology Pack developers or Professional Services personnel for a specific network technology or network equipment provider, such as Cisco IP Telephony.

Once installed, a Technology Pack “programs” Netcool/Proviso to inventory and group specific network resources, perform mathematical calculations on raw or aggregated data streams collected from these resources, and produce key performance monitoring metrics that are stored on the Netcool/Proviso database. Reporter sets designed for each Technology Pack query the database for this information and display the results on a web portal in the form of specialized report tables, graphs, and charts.

This chapter provides an overview of how Technology Packs work with Netcool/Proviso to collect, process, load, and report data from a network environment.

How is the Data Collected?

Inventory

After a Netcool/Proviso Technology Pack has been installed, an inventory process must be run so that the Technology Pack’s target network resources can be identified and modeled within Netcool/Proviso as sub-elements. Sub-elements must be created before data from any network resource can be collected, processed, and stored in the database.

How sub-elements are discovered depends on whether the target resources are SNMP resources or non-SNMP resources:

- For SNMP network resources, a Technology Pack provides a discovery formula. Discovery formulas are used to evaluate network resources, determine which resources become sub-elements, and set values for items defined as properties in the formula. Once all the sub-elements have been discovered and created in the database, the inventory process organizes the sub-elements according to the grouping rules provided by a

Technology Pack. The grouping rules use the properties and values defined within inventory formulas or adaptor design files to filter the sub-elements into their appropriate collection or reporting groups.

- For non-SNMP network resources, a Technology Pack provides a Bulk Adaptor Design File. Bulk Adaptor Design Files define how data fields that reside in files generated by network resources are used to create sub-elements and set values for items defined as properties.

During the database synchronization phase of the inventory process, the list of discovered sub-elements is compared to what exists in the database. Newly discovered sub-elements are assigned a resource identifier (RID) and timestamp, and the database uses both items to create a new entry for the sub-element to reflect the known state of the network inventory.

Collection

Following the completion of the inventory process, Netcool/Proviso is ready to collect performance data for a Technology Pack's target network resources. A Technology Pack provides Netcool/Proviso with collection formulas that instruct a DataLoad collector residing in a DataChannel to collect specific types of performance data against a particular sub-element.

The types of collection formulas applied to the data depend on whether the sub-element is an SNMP resource or non-SNMP resource:

- For SNMP network resources, a Technology Pack provides SNMP collection formulas. SNMP collection formulas instruct the SNMP Collector to take the data gathered during a specified collection interval, perform some mathematical operation on the data, and output the result as a performance metric.
- For non-SNMP network resources, a Technology Pack provides Bulk collection formulas. A Bulk collection formula, unlike an SNMP collection formula, has no executable instructions. A Bulk collection formula consists of a metric name that is mapped by the Bulk Adaptor Design File to a statistic that resides in the input file generated by a network resource.

Either type of collection formula outputs a metric and corresponding unique metric identifier (MID) that are passed along the DataChannel to the Complex Metric Engine for processing.

How is the Data Processed and Loaded into the Database?

The Complex Metric Engine (CME) is a component in the DataChannel that performs calculations on data gathered by the SNMP or Bulk collectors deployed in a network. These calculations include the following:

- Pre-defined formulas that are provided by a Technology Pack
- User-defined formulas created using the CME Formula API
- Time aggregations for sub-elements

In addition to performing calculations on the data stream in the DataChannel, the CME also buffers and sorts metric records according to their RIDs and MIDs to optimize how the data and metrics are stored in the database.

CME Operation

The CME is designed to work with data that is gathered over the space of one hour. Within that hour, there are several distinct phases that characterize the operation of the CME:

- *Loading Phase*
- *Building Phase*
- *Processing Phase*
- *Output Phase*

Loading Phase

During the beginning of each hour, the CME creates a new network configuration model based on the inventory structure that exists in the database at that time. This model is used as a snapshot of the network environment and serves as the basis for all metric processing for the entire duration of the hour. At the end of the hour, the CME polls the database for any changes that have been made to the inventory and creates a new network configuration model for the next hour.

As the CME reloads its configuration hourly, any metrics produced by sub-elements following the last polling period are rejected by the CME until the beginning of the next hour.

Building Phase

Once the current configuration model has been built, the CME creates a table of sub-elements and metrics that are expected for the current hour. The CME uses the RIDs and MIDs to build the table and determine which metrics should be arriving from the collectors. The table also specifies how resources are related, and determines if there are any CME formulas that must be applied to a sub-element's metrics once the data is gathered.

Processing Phase

Whenever new data arrives at the CME, it is evaluated and stored in the appropriate table location, along with any Resource Aggregation information. Once the input and processing dependencies for a metric in the table have been met, the CME processes the metrics and stores the data until the end of the hour.

Output Phase

At the end of the current hour, the CME outputs everything in memory to the Hourly and Daily Loaders. The data sent to the database loaders includes the sorted data for the current hour, and resource and group aggregations for each of the processing periods up to the current time. The Hourly Loader computes group and resource aggregations, while the Daily Loader creates metric statistics and inserts the data into the database.

How is the Data Reported?

The data collected, processed, and stored in the database by Netcool/Proviso is organized and output for customers using reporter sets that are designed by developers and Professional Services personnel for a specific Technology Pack.

A Technology Pack reporter set is a related group of reports that provide performance information on a specific set of devices or resources that exist in a network. Each report consists of a series of queries that retrieve related sub-elements and their corresponding metrics from the database using the RIDs and MIDs assigned during the inventory and collection processes. The retrieved results are then organized within the report and are displayed on a web portal in the form of tables, graphs, and charts.

A Technology Pack provides a variety of reports and charts, including:

- Resource Summary Reports (RSTs) (sometimes referred to as Resource Summary Tables) aggregate data across time for an individual sub-element and define the statistics that are relevant for a measure of its network performance.
- Group Summary Reports (GSTs) (sometimes referred to as Group Summary Tables) aggregate data across both time and sub-elements, and define the statistics that are relevant for a measure of network performance for a group of resources.
- Detail Charts (DCs) display raw data for a metric that has been aggregated for an individual sub-element over a particular period of time.
- Dashboards display a series of abbreviated tables and charts that provide an overall summary of the metrics collected for the target network resource supported by the Technology Pack.
- Timeseries charts present time series information, where the x axis is time and the y axis is the data value.
- TopN reports list the N highest values during a specified time range for a specific metric.
- Resource Distribution charts (often referred to as pie charts) show the distribution of resources across specific ranges. Typically, a legend for the Resource Distribution chart appears in the report.
- Resource Over Threshold Tables (RTTs) display a list of resources that have violated their threshold for a specific metric. Typically, users navigate to an RTT from a Group Summary Table (GST), using the threshold overflow cell navigation link.
- Ratio charts show the relationship of a single metric among different resources or a single resource among different metrics.

NOTES

Chapter 2: Supported Reports

This chapter discusses the following topics:

Topic	Page
<i>Overview</i>	7
<i>Reporter Sets</i>	7
<i>Reports</i>	9

Overview

The Cisco IP Telephony Technology Pack supplies a set of reports suitable for displaying information about the devices and activity associated with the Cisco IP Telephony environment.

Reports contain metrics that are generated by the formulas that this technology pack provides. Metric names are the same as the names of the formulas that generate them. For information about a metric that is listed for a particular report, see the description of the associated formula in the collection formula chapter of this guide.

This chapter includes information to help you navigate to a particular report on the DataView portal. This navigation path is the same as the path where the report has been deployed through the DataMart Resource Editor. Note, however, that some reports are not explicitly deployed on the portal navigation path. You can display such a report by "drilling down" to it from other reports.

For information about understanding report types, creating reports, configuring reports, viewing and working with reports, and deploying reports, see the *Netcool/Proviso DataView User's Guide*. This Technology Pack User's Guide assumes an understanding of the report-related topics discussed in the *Netcool/Proviso DataView User's Guide*.

Reporter Sets

Reporter Set Tree

This technology pack provides the reporter sets listed below. The list presents the reporter sets as they appear in the DataView Navigator tree structure:

```
AP Cisco VOIP Pack
...Global Customer Reports
...Call Detail Record
.....Cluster
.....Extension
.....K-Factor
.....Codec
```

- ...Infrastructure
 -CallManager Server
 -PSTN Gateway
 -Interface
 -Device
 -DSP Card
 -Media Devices
 -Gatekeeper
 -Device
 -Interface
 -Perfmon

Reports

This technology pack provides the following reports:

- [CCM Server Quality Resource](#)
- [CCM Server Quality Resource Detail Chart](#)
- [CCM Sql Server Group](#)
- [CCM Sql Server Resource](#)
- [CCM Sql Server Resource Detail Chart](#)
- [CDR Call Distribution Detail Chart](#)
- [CDR Call Distribution Group](#)
- [CDR Call Distribution Resource](#)
- [CDR Quality Detail Chart](#)
- [CDR Quality Group](#)
- [CDR Quality Resource](#)
- [CDR Utilization Detail Chart](#)
- [CDR Utilization Group](#)
- [CDR Utilization Resource](#)
- [CDR VoiceMail Usage Detail Chart](#)
- [CDR VoiceMail Usage Resource](#)
- [Cluster Call Distribution Detail Chart](#)
- [Cluster Call Distribution Group](#)
- [Cluster Call Distribution Resource](#)
- [Cluster Erlang-B Group](#)
- [Cluster IP vs Legacy Detail Chart](#)
- [Cluster IP vs Legacy Resource](#)
- [Cluster Quality Detail Chart](#)
- [Cluster Quality Group](#)
- [Cluster Quality Resource](#)
- [Cluster Utilization Detail Chart](#)
- [Cluster Utilization Group](#)
- [Cluster Utilization MLH Resource](#)
- [Cluster Utilization Resource](#)
- [Cluster VoiceMail Usage Detail Chart](#)
- [Cluster VoiceMail Usage Resource](#)
- [Errors on Cluster by Codec](#)
- [Gatekeeper Availability Resource](#)

[Gatekeeper Availability Resource Detail Chart](#)
[Gatekeeper Device Quality Resource](#)
[Gatekeeper Device Quality Resource Detail Chart](#)
[Gatekeeper Interface Availability Resource](#)
[Gatekeeper Interface Availability Resource Detail Chart](#)
[Gatekeeper Interface Utilization Resource](#)
[Gatekeeper Interface Utilization Resource Detail Chart](#)
[Global VOIP](#)
[K-Factor Detail Chart](#)
[K-Factor Group](#)
[K-Factor Resource](#)
[Media Device Group](#)
[Media Device Resource](#)
[Media Device Resource Detail Chart](#)
[Perfmon Active Calls Detail Chart](#)
[Perfmon Active Calls Group](#)
[Perfmon Active Calls Resource](#)
[Perfmon MOH Detail Chart](#)
[Perfmon MOH Group](#)
[Perfmon MOH Resource](#)
[Perfmon PSTN Detail Chart](#)
[Perfmon PSTN Group](#)
[Perfmon PSTN Resource](#)
[Perfmon Security Detail Chart](#)
[Perfmon Security Group](#)
[Perfmon Security Resource](#)
[PSTN Gateway Availability Resource](#)
[PSTN Gateway Availability Resource Detail Chart](#)
[PSTN Gateway Device DS0 Usage Detail Chart](#)
[PSTN Gateway Device Quality Resource](#)
[PSTN Gateway Device Quality Resource Detail Chart](#)
[PSTN Gateway DSP Card Resource](#)
[PSTN Gateway DSP Card Resource Detail Chart](#)
[PSTN Gateway E1/T1 Availability Resource Detail Chart](#)
[PSTN Gateway E1/T1 Interface Utilization Resource](#)
[PSTN Gateway E1/T1 Interface Utilization Resource Detail Chart](#)

PSTN Gateway E1/T1 Availability Resource

Top 10 CDR Call Completion

Top 10 CDR Call Duration

Top 10 CDR K-Factor

Top 10 CDR Number of Calls

Top 10 CDR Number of Errors

Top 10 Cluster Call Completion

Top 10 Cluster Number of Calls

Top 10 Cluster Number of Errors

Top 10 E1/T1 Utilization Resource

The reports in this technology pack are described on the following pages.

CCM Server Quality Resource Detail Chart

Description

Detail chart showing CallManager cluster and server quality.

Reporter Set

CallManager Server

Tables and Charts

Charts: Resource Time Series Chart (4 of 8 implemented)
Metric Ratio Chart (2 of 2 implemented)

Metrics Used in Report

[CCM CPU Utilization \(percent\) \(avg last 5 mn\)](#)

[CCM Physical Memory Utilization \(percent\)](#)

[CCM Registered CTI Devices \(Nb\) \(Gauge\)](#)

[CCM Registered Devices \(Nb\) \(Gauge\)](#)

[CCM Registered Gateways \(Nb\) \(Gauge\)](#)

[CCM Registered Media Devices \(Nb\) \(Gauge\)](#)

[CCM Registered Phones \(Nb\) \(Gauge\)](#)

[CCM Registered VoiceMail Devices \(Nb\) \(Gauge\)](#)

[CCM Rejected Devices \(Nb\) \(Gauge\)](#)

Navigation Path

This report is not deployed on the portal navigation path during the initial configuration of the technology pack. To display this report, drill down to it from another report or deploy it with the DataMart Resource Editor.

Drills Down To

None.

Drilled Down From

[CCM Server Quality Resource](#)

CCM Server Quality Resource

Description

Resource summary chart showing CallManager cluster and server quality.

Reporter Set

CallManager Server

Tables and Charts

Tables: Resource Summary Table (1 of 1 implemented)

Charts: Resource Distribution Chart (2 of 2 implemented)

Metrics Used in Report

[CCM CPU Utilization \(percent\) \(avg last 5 mn\)](#)

[CCM Physical Memory Utilization \(percent\)](#)

[CCM Registered Devices \(Nb\) \(Gauge\)](#)

[CCM Rejected Devices \(Nb\) \(Gauge\)](#)

Navigation Path

Navigation path on the DataView portal:

NOC Reporting > VOIP > Cisco > Infrastructure > CCM Server > %(VoIPCallMgrClusterId)

Drills Down To

[CCM Server Quality Resource](#)

[CCM Server Quality Resource Detail Chart](#)

Drilled Down From

[CCM Server Quality Resource](#)

[CCM Sql Server Group](#)

[Global VOIP](#)

CCM Sql Server Group

Description

Group summary chart showing CallManager SQL server usage.

Reporter Set

CallManager Server

Tables and Charts

Tables: Group Summary Table (1 of 2 implemented)

Charts: Resource Distribution Chart (2 of 2 implemented)

Metrics Used in Report

[CCM CPU Utilization \(percent\) \(avg last 5 mn\)](#)

[CCM SQL Server free buffers \(Nb\)](#)

[CCM SQL Server number active user connections](#)

[CCM SQL Server number of blocked users](#)

[CCM SQL Server number of locks](#)

[CCM SQL Server number of pending rw](#)

[CCM SQL Server Total number of Pages](#)

Navigation Path

Navigation path on the DataView portal:

NOC Reporting > VOIP > Cisco > Infrastructure > CCM Server

Drills Down To

[CCM Server Quality Resource](#)

[CCM Sql Server Resource](#)

Drilled Down From

None.

CCM Sql Server Resource Detail Chart

Description

Detail chart showing CallManager SQL server usage.

Reporter Set

CallManager Server

Tables and Charts

Charts: Resource Time Series Chart (6 of 8 implemented)
Metric Ratio Chart (1 of 2 implemented)

Metrics Used in Report

[CCM SQL Server Availability percentage](#)

[CCM SQL Server number active user connections](#)

[CCM SQL Server number of blocked users](#)

[CCM SQL Server number of locks blocking processes](#)

[CCM SQL Server number of locks](#)

[CCM SQL Server number of pending rw](#)

[CCM SQL Server Total number of Pages](#)

Navigation Path

This report is not deployed on the portal navigation path during the initial configuration of the technology pack. To display this report, drill down to it from another report or deploy it with the DataMart Resource Editor.

Drills Down To

None.

Drilled Down From

[CCM Sql Server Resource](#)

CCM Sql Server Resource

Description

Resource summary chart showing CallManager SQL server usage.

Reporter Set

CallManager Server

Tables and Charts

Tables: Resource Summary Table (1 of 1 implemented)

Charts: Resource Distribution Chart (2 of 2 implemented)

Metrics Used in Report

[CCM SQL Server Availability percentage](#)

[CCM SQL Server Cache Hit ratio \(percent\)](#)

[CCM SQL Server free buffers \(Nb\)](#)

[CCM SQL Server number active user connections](#)

[CCM SQL Server number of blocked users](#)

[CCM SQL Server number of locks](#)

[CCM SQL Server number of pending rw](#)

[CCM SQL Server Total number of Pages](#)

Navigation Path

Navigation path on the DataView portal:

NOC Reporting > VOIP > Cisco > Infrastructure > CCM Server > %(VoIPCallMgrClusterId)

Drills Down To

[CCM Sql Server Resource](#)

[CCM Sql Server Resource Detail Chart](#)

Drilled Down From

[CCM Sql Server Group](#)

[CCM Sql Server Resource](#)

CDR Call Distribution Detail Chart

Description

Detail chart showing the specific sub-element call distribution based on information collected through CDRs and CMRs.

Reporter Set

Extension

Tables and Charts

Charts: Resource Time Series Chart (6 of 8 implemented)
Metric Ratio Chart (2 of 2 implemented)

Metrics Used in Report

[Incoming](#)

[Internal](#)

[International](#)

[Local](#)

[LongDistance](#)

[OffNet](#)

[OnNet](#)

[SuccessfulCall](#)

[Total Number of Outgoing External Calls \(Nb\)](#)

[UnsuccessfulCall](#)

Navigation Path

This report is not deployed on the portal navigation path during the initial configuration of the technology pack. To display this report, drill down to it from another report or deploy it with the DataMart Resource Editor.

Drills Down To

None.

Drilled Down From

[CDR Call Distribution Resource](#)

CDR Call Distribution Group

Description

Group summary chart showing the specific sub-element call distribution based on information collected through CDRs and CMRs.

Reporter Set

Extension

Tables and Charts

Tables: GroupSummary (1 implemented)

Charts: Ratio (2 implemented)

Metrics Used in Report

Incoming

Internal

International

Local

LongDistance

Total Number of Outgoing External Calls (Nb)

Navigation Path

Navigation path on the DataView portal:

NOC Reporting > VOIP > Cisco > IP Telephony Call Detail Record > Extensions > By Cluster

NOC Reporting > VOIP > Cisco > IP Telephony Call Detail Record > Extensions > By Site

NOC Reporting > VOIP > Cisco > IP Telephony Call Detail Record > Path Group

Drills Down To

[CDR Call Distribution Resource](#)

Drilled Down From

None.

CDR Call Distribution Resource

Description

Resource summary chart showing the specific sub-element call distribution based on information collected through CDRs and CMRs.

Reporter Set

Extension

Tables and Charts

Tables: Resource Summary Table (1 of 1 implemented)

Charts: Ratio Chart (2 of 2 implemented)

Metrics Used in Report

Incoming

Internal

International

Local

LongDistance

Total Number of Outgoing External Calls (Nb)

Navigation Path

Navigation path on the DataView portal:

NOC Reporting > VOIP > Cisco > IP Telephony Call Detail Record > Extensions > By Cluster > %(clusterId)

NOC Reporting > VOIP > Cisco > IP Telephony Call Detail Record > Extensions > By Customer > %(customerId)

NOC Reporting > VOIP > Cisco > IP Telephony Call Detail Record > Extensions > By Site > %(siteId)

NOC Reporting > VOIP > Cisco > IP Telephony Call Detail Record > Media Gateways > By Cluster > %(clusterId)

NOC Reporting > VOIP > Cisco > IP Telephony Call Detail Record > Media Gateways > By Customer > %(customerId)

NOC Reporting > VOIP > Cisco > IP Telephony Call Detail Record > Media Gateways > By Site > %(siteId)

NOC Reporting > VOIP > Cisco > IP Telephony Call Detail Record > Paths > By Cluster > %(clusterId)

NOC Reporting > VOIP > Cisco > IP Telephony Call Detail Record > Paths > By Customer > %(customerId)

NOC Reporting > VOIP > Cisco > IP Telephony Call Detail Record > Extensions > By Cluster > %(CDRclusterId)

NOC Reporting > VOIP > Cisco > IP Telephony Call Detail Record > Extensions > By Customer > %(CDRcustomerId)

NOC Reporting > VOIP > Cisco > IP Telephony Call Detail Record > Extensions > By Site > %(CDRsiteId)

NOC Reporting > VOIP > Cisco > IP Telephony Call Detail Record > Media Gateways > By Cluster > %(CDRclusterId)

NOC Reporting > VOIP > Cisco > IP Telephony Call Detail Record > Media Gateways > By Customer > %(CDRcustomerId)

NOC Reporting > VOIP > Cisco > IP Telephony Call Detail Record > Media Gateways > By Site > %(CDRsiteId)

NOC Reporting > VOIP > Cisco > IP Telephony Call Detail Record > Paths > By Cluster > %(CDRclusterId)

NOC Reporting > VOIP > Cisco > IP Telephony Call Detail Record > Paths > By Customer > %(CDRcustomerId)

Drills Down To

[CDR Call Distribution Detail Chart](#)

Drilled Down From

[CDR Call Distribution Group](#)

CDR Quality Detail Chart

Description

Detail chart showing the specific sub-element quality based on information collected through Call Detail records (call signaling) and Call Maintenance Records.

Reporter Set

Extension

Tables and Charts

Charts: Resource Time Series Chart (6 of 8 implemented)
Metric Ratio Chart (2 of 2 implemented)

Metrics Used in Report

[Jitter](#)

[Latency](#)

[MOS](#)

[NbPacketsLost](#)

[NbPacketsReceived](#)

[NbPacketsSent](#)

[SuccessfulCall](#)

[UnsuccessfulCall](#)

Navigation Path

This report is not deployed on the portal navigation path during the initial configuration of the technology pack. To display this report, drill down to it from another report or deploy it with the DataMart Resource Editor.

Drills Down To

None.

Drilled Down From

[CDR Quality Resource](#)

[Errors on Cluster by Codec](#)

[K-Factor Resource](#)

[Perfmon Active Calls Resource](#)

[Perfmon MOH Resource](#)

[Perfmon PSTN Resource](#)

[Perfmon Security Resource](#)

[Top 10 CDR Call Completion](#)

[Top 10 CDR Number of Errors](#)

CDR Quality Group

Description

Group summary chart showing the specific sub-element quality based on information collected through Call Detail records (call signaling) and Call Maintenance Records.

Reporter Set

Extension

Tables and Charts

Tables: Group Summary Table (1 of 2 implemented)

Charts: Resource Distribution Chart (2 of 2 implemented)

Metrics Used in Report

Jitter

Latency

MOS

Percentage of Drop Calls (percent) CME(Bulk) VOIP Cisco

Percentage of Packet Lost (percent) CME(Bulk) VOIP Cisco

Percentage of Successful Calls (Nb) CME(Bulk) VOIP Cisco

Navigation Path

Navigation path on the DataView portal:

NOC Reporting > VOIP > Cisco > IP Telephony Call Detail Record > Extensions > By Cluster

NOC Reporting > VOIP > Cisco > IP Telephony Call Detail Record > Extensions > By Site

NOC Reporting > VOIP > Cisco > IP Telephony Call Detail Record > Path Group

Drills Down To

[CDR Quality Resource](#)

[Cluster Quality Resource](#)

Drilled Down From

None.

CDR Quality Resource

Description

Resource summary chart showing the specific sub-element quality based on information collected through Call Detail records (call signaling) and Call Maintenance Records.

Reporter Set

Extension

Tables and Charts

Tables: Resource Summary Table (1 of 1 implemented)

Charts: Resource Distribution Chart (2 of 2 implemented)

Metrics Used in Report

Jitter

Latency

MOS

Percentage of Drop Calls (percent) CME(Bulk) VOIP Cisco

Percentage of Packet Lost (percent) CME(Bulk) VOIP Cisco

Percentage of Successful Calls (Nb) CME(Bulk) VOIP Cisco

SuccessfulCall

UnsuccessfulCall

Navigation Path

Navigation path on the DataView portal:

NOC Reporting > VOIP > Cisco > IP Telephony Call Detail Record > Extensions > By Cluster > %(clusterId)

NOC Reporting > VOIP > Cisco > IP Telephony Call Detail Record > Extensions > By Customer > %(customerId)

NOC Reporting > VOIP > Cisco > IP Telephony Call Detail Record > Extensions > By Site > %(siteId)

NOC Reporting > VOIP > Cisco > IP Telephony Call Detail Record > Media Gateways > By Cluster > %(clusterId)

NOC Reporting > VOIP > Cisco > IP Telephony Call Detail Record > Media Gateways > By Customer > %(customerId)

NOC Reporting > VOIP > Cisco > IP Telephony Call Detail Record > Media Gateways > By Site > %(siteId)

NOC Reporting > VOIP > Cisco > IP Telephony Call Detail Record > Paths > By Cluster > %(clusterId)

NOC Reporting > VOIP > Cisco > IP Telephony Call Detail Record > Paths > By Customer > %(customerId)

NOC Reporting > VOIP > Cisco > IP Telephony Call Detail Record > Extensions > By Cluster > %(CDRclusterId)

NOC Reporting > VOIP > Cisco > IP Telephony Call Detail Record > Extensions > By Customer > %(CDRcustomerId)

NOC Reporting > VOIP > Cisco > IP Telephony Call Detail Record > Extensions > By Site > %(CDRsiteId)

NOC Reporting > VOIP > Cisco > IP Telephony Call Detail Record > Media Gateways > By Cluster > %(CDRclusterId)

NOC Reporting > VOIP > Cisco > IP Telephony Call Detail Record > Media Gateways > By Customer > %(CDRcustomerId)

NOC Reporting > VOIP > Cisco > IP Telephony Call Detail Record > Media Gateways > By Site > %(CDRsiteId)

NOC Reporting > VOIP > Cisco > IP Telephony Call Detail Record > Paths > By Cluster > %(CDRclusterId)

NOC Reporting > VOIP > Cisco > IP Telephony Call Detail Record > Paths > By Customer > %(CDRcustomerId)

Drills Down To

[CDR Quality Detail Chart](#)

Drilled Down From

[CDR Quality Group](#)

[K-Factor Group](#)

[Perfmon Active Calls Group](#)

[Perfmon MOH Group](#)

[Perfmon PSTN Group](#)

[Perfmon Security Group](#)

CDR Utilization Detail Chart

Description

Detail chart showing the specific sub-element utilization based on information collected through CDRs and CMRs.

Reporter Set

Extension

Tables and Charts

Charts: Resource Time Series Chart (6 of 8 implemented)
Metric Ratio Chart (2 of 2 implemented)

Metrics Used in Report

CallDuration

NbPacketsLost

NbPacketsReceived

NbPacketsSent

OffNet

SuccessfulCall

Total Number of Calls (Nb) CME(Bulk) VOIP Cisco

UnsuccessfulCall

Navigation Path

This report is not deployed on the portal navigation path during the initial configuration of the technology pack. To display this report, drill down to it from another report or deploy it with the DataMart Resource Editor.

Drills Down To

None.

Drilled Down From

CDR Utilization Resource

Top 10 CDR Call Duration

Top 10 CDR Number of Calls

CDR Utilization Group

Description

Group summary chart showing the specific sub-element utilization based on information collected through CDRs and CMRs.

Reporter Set

Extension

Tables and Charts

Tables: Group Summary Table (1 of 2 implemented)

Charts: Resource Distribution Chart (2 of 2 implemented)

Metrics Used in Report

[CallDuration](#)

[NbPacketsLost](#)

[NbPacketsReceived](#)

[NbPacketsSent](#)

[Percentage of Company Calls \(percent\) CME\(Bulk\) VOIP Cisco](#)

[Percentage of TollBypass Calls \(percent\) CME\(Bulk\) VOIP Cisco](#)

[Total Number of Calls \(Nb\) CME\(Bulk\) VOIP Cisco](#)

Navigation Path

Navigation path on the DataView portal:

NOC Reporting > VOIP > Cisco > IP Telephony Call Detail Record > Extensions > By Cluster

NOC Reporting > VOIP > Cisco > IP Telephony Call Detail Record > Extensions > By Site

NOC Reporting > VOIP > Cisco > IP Telephony Call Detail Record > Path Group

Drills Down To

[CDR Utilization Resource](#)

[Cluster Utilization Resource](#)

Drilled Down From

None.

CDR Utilization Resource

Description

Resource summary chart showing the specific sub-element utilization based on information collected through CDRs and CMRs.

Reporter Set

Extension

Tables and Charts

Tables: Resource Summary Table (1 of 1 implemented)

Charts: Resource Distribution Chart (2 of 2 implemented)

Metrics Used in Report

CallDuration

NbPacketsLost

NbPacketsReceived

NbPacketsSent

Percentage of Drop Calls (percent) CME(Bulk) VOIP Cisco

Percentage of Successful Calls (Nb) CME(Bulk) VOIP Cisco

Total Number of Calls (Nb) CME(Bulk) VOIP Cisco

Navigation Path

Navigation path on the DataView portal:

NOC Reporting > VOIP > Cisco > IP Telephony Call Detail Record > Extensions > By Cluster > %(clusterId)

NOC Reporting > VOIP > Cisco > IP Telephony Call Detail Record > Extensions > By Customer > %(customerId)

NOC Reporting > VOIP > Cisco > IP Telephony Call Detail Record > Extensions > By Site > %(siteId)

NOC Reporting > VOIP > Cisco > IP Telephony Call Detail Record > Media Gateways > By Cluster > %(clusterId)

NOC Reporting > VOIP > Cisco > IP Telephony Call Detail Record > Media Gateways > By Customer > %(customerId)

NOC Reporting > VOIP > Cisco > IP Telephony Call Detail Record > Media Gateways > By Site > %(siteId)

NOC Reporting > VOIP > Cisco > IP Telephony Call Detail Record > Paths > By Cluster > %(clusterId)

NOC Reporting > VOIP > Cisco > IP Telephony Call Detail Record > Paths > By Customer > %(customerId)

NOC Reporting > VOIP > Cisco > IP Telephony Call Detail Record > Extensions > By Cluster > %(CDRclusterId)

NOC Reporting > VOIP > Cisco > IP Telephony Call Detail Record > Extensions > By Customer > %(CDRcustomerId)

NOC Reporting > VOIP > Cisco > IP Telephony Call Detail Record > Extensions > By Site > %(CDRsiteId)

NOC Reporting > VOIP > Cisco > IP Telephony Call Detail Record > Media Gateways > By Cluster > %(CDRclusterId)

NOC Reporting > VOIP > Cisco > IP Telephony Call Detail Record > Media Gateways > By Customer > %(CDRcustomerId)

NOC Reporting > VOIP > Cisco > IP Telephony Call Detail Record > Media Gateways > By Site > %(CDRsiteId)

NOC Reporting > VOIP > Cisco > IP Telephony Call Detail Record > Paths > By Cluster > %(CDRclusterId)

NOC Reporting > VOIP > Cisco > IP Telephony Call Detail Record > Paths > By Customer > %(CDRcustomerId)

Drills Down To

[CDR Utilization Detail Chart](#)

Drilled Down From

[CDR Utilization Group](#)

[PSTN Gateway E1/T1Availability Resource](#)

CDR VoiceMail Usage Detail Chart

Description

Detail chart showing the specific sub-element voicemail utilization based on information collected through CDRs and CMRs.

Reporter Set

Extension

Tables and Charts

Charts: Resource Time Series Chart (5 of 8 implemented)
Metric Ratio Chart (1 of 2 implemented)

Metrics Used in Report

[ForwardToVoiceMail](#)

[Total Number of VoiceMail Direct Calls \(Nb\) CME\(Bulk\) VOIP Cisco](#)

[VoicemailCallDuration](#)

[VoiceMailCall](#)

[VoicemailPackets](#)

Navigation Path

This report is not deployed on the portal navigation path during the initial configuration of the technology pack. To display this report, drill down to it from another report or deploy it with the DataMart Resource Editor.

Drills Down To

None.

Drilled Down From

[CDR VoiceMail Usage Resource](#)

CDR VoiceMail Usage Resource

Description

Resource summary chart showing the specific sub-element voicemail utilization based on information collected through CDRs and CMRs.

Reporter Set

Extension

Tables and Charts

Tables: ResSummary (1 implemented)

Charts: Ratio (1 implemented)

Metrics Used in Report

ForwardToVoiceMail

Total Number of VoiceMail Direct Calls (Nb) CME(Bulk) VOIP Cisco

VoicemailCallDuration

VoiceMailCall

VoicemailPackets

Navigation Path

Navigation path on the DataView portal:

NOC Reporting > VOIP > Cisco > IP Telephony Call Detail Record > Extensions > By Cluster > %(clusterId)

NOC Reporting > VOIP > Cisco > IP Telephony Call Detail Record > Extensions > By Customer > %(customerId)

NOC Reporting > VOIP > Cisco > IP Telephony Call Detail Record > Extensions > By Site > %(siteId)

NOC Reporting > VOIP > Cisco > IP Telephony Call Detail Record > Media Gateways > By Cluster > %(clusterId)

NOC Reporting > VOIP > Cisco > IP Telephony Call Detail Record > Media Gateways > By Customer > %(customerId)

NOC Reporting > VOIP > Cisco > IP Telephony Call Detail Record > Media Gateways > By Site > %(siteId)

NOC Reporting > VOIP > Cisco > IP Telephony Call Detail Record > Paths > By Cluster > %(clusterId)

NOC Reporting > VOIP > Cisco > IP Telephony Call Detail Record > Paths > By Customer > %(customerId)

NOC Reporting > VOIP > Cisco > IP Telephony Call Detail Record > Extensions > By Cluster > %(CDRclusterId)

NOC Reporting > VOIP > Cisco > IP Telephony Call Detail Record > Extensions > By Customer > %(CDRcustomerId)

NOC Reporting > VOIP > Cisco > IP Telephony Call Detail Record > Extensions > By Site > %(CDRsiteId)

NOC Reporting > VOIP > Cisco > IP Telephony Call Detail Record > Media Gateways > By Cluster > %(CDRclusterId)

NOC Reporting > VOIP > Cisco > IP Telephony Call Detail Record > Media Gateways > By Customer > %(CDRcustomerId)

NOC Reporting > VOIP > Cisco > IP Telephony Call Detail Record > Media Gateways > By Site > %(CDRsiteId)

NOC Reporting > VOIP > Cisco > IP Telephony Call Detail Record > Paths > By Cluster > %(CDRclusterId)

NOC Reporting > VOIP > Cisco > IP Telephony Call Detail Record > Paths > By Customer > %(CDRcustomerId)

Drills Down To

[CDR VoiceMail Usage Detail Chart](#)

Drilled Down From

None.

Cluster Call Distribution Detail Chart

Description

Detail chart showing cluster call distribution based on information collected through CDRs and CMRs.

Reporter Set

Cluster

Tables and Charts

Charts: Resource Time Series Chart (6 of 8 implemented)
Metric Ratio Chart (2 of 2 implemented)

Metrics Used in Report

Cluster Total Number of External Calls (Nb)

Cluster Total Number of Outgoing External Calls (Nb)

ClusterIncomingCall

ClusterInternalCall

ClusterInternationalCall

ClusterLocalCall

ClusterLongDistanceCall

ClusterSuccessfulCall

ClusterUnsuccessfulCall

Navigation Path

This report is not deployed on the portal navigation path during the initial configuration of the technology pack. To display this report, drill down to it from another report or deploy it with the DataMart Resource Editor.

Drills Down To

None.

Drilled Down From

Cluster Call Distribution Resource

Cluster Call Distribution Group

Description

Group summary chart showing cluster call distribution based on information collected through CDRs and CMRs.

Reporter Set

Cluster

Tables and Charts

Tables: GroupSummary (1 implemented)

Charts: Ratio (2 implemented)

Metrics Used in Report

[Cluster Total Number of Outgoing External Calls \(Nb\)](#)

[ClusterIncomingCall](#)

[ClusterInternalCall](#)

[ClusterInternationalCall](#)

[ClusterLocalCall](#)

[ClusterLongDistanceCall](#)

Navigation Path

Navigation path on the DataView portal:

NOC Reporting > VOIP > Cisco > IP Telephony Call Detail Record > Clusters

Drills Down To

[Cluster Call Distribution Resource](#)

Drilled Down From

None.

Cluster Call Distribution Resource

Description

Resource summary chart showing cluster call distribution based on information collected through CDRs and CMRs.

Reporter Set

Cluster

Tables and Charts

Tables: Resource Summary Table (1 of 1 implemented)

Charts: Ratio Chart (2 of 2 implemented)

Metrics Used in Report

[Cluster Total Number of External Calls \(Nb\)](#)

[Cluster Total Number of Outgoing External Calls \(Nb\)](#)

[ClusterIncomingCall](#)

[ClusterInternalCall](#)

[ClusterInternationalCall](#)

[ClusterLocalCall](#)

[ClusterLongDistanceCall](#)

Navigation Path

Navigation path on the DataView portal:

NOC Reporting > VOIP > Cisco > IP Telephony Call Detail Record > Clusters > %(clusterId)

NOC Reporting > VOIP > Cisco > IP Telephony Call Detail Record > Clusters > %(CDRclusterId)

Drills Down To

[Cluster Call Distribution Detail Chart](#)

Drilled Down From

[Cluster Call Distribution Group](#)

Cluster Erlang-B Group

Description

Group summary report for predicting call loss in a cluster.

Reporter Set

Cluster

Tables and Charts

Tables: Group Summary Table (1 of 2 implemented)

Charts: Resource Distribution Chart (0 of 2 implemented)

Metrics Used in Report

[Cluster Erlang](#)

[Cluster Total Hours of Traffic](#)

[ClusterBlocking](#)

[ClusterErlangB](#)

[ClusterLines](#)

Navigation Path

Navigation path on the DataView portal:

NOC Reporting > VOIP > Cisco > IP Telephony Call Detail Record > Clusters

Drills Down To

[Cluster Quality Resource](#)

Drilled Down From

None.

Cluster IP vs Legacy Detail Chart

Description

Detail chart showing cluster company call distribution based on information collected through CDRs and CMRs.

Company calls are:

- Intrasite and intersite IP calls
- Intrasite and intersite legacy PBX calls

Reporter Set

Cluster

Tables and Charts

Charts: Resource Time Series Chart (3 of 8 implemented)
Metric Ratio Chart (2 of 2 implemented)

Metrics Used in Report

[Cluster Total Number of Company Calls \(Nb\)](#)

[Cluster Total Number of Company IP Calls \(Nb\)](#)

[Cluster Total Number of Company LegacyPBX Calls \(Nb\)](#)

[Cluster Total Number of External Calls \(Nb\)](#)

Navigation Path

This report is not deployed on the portal navigation path during the initial configuration of the technology pack. To display this report, drill down to it from another report or deploy it with the DataMart Resource Editor.

Drills Down To

None.

Drilled Down From

[Cluster IP vs Legacy Resource](#)

Cluster IP vs Legacy Resource

Description

Resource summary chart showing cluster company call distribution based on information collected through CDRs and CMRs.

Company calls are:

- Intrasite and intersite IP calls
- Intrasite and intersite legacy PBX calls

Reporter Set

Cluster

Tables and Charts

Tables: Resource Summary Table (1 of 1 implemented)

Charts: Ratio Chart (2 of 2 implemented)

Metrics Used in Report

[Cluster Total Number of Company Calls \(Nb\)](#)

[Cluster Total Number of Company IP Calls \(Nb\)](#)

[Cluster Total Number of Company LegacyPBX Calls \(Nb\)](#)

[Cluster Total Number of External Calls \(Nb\)](#)

[ClusterTollBypassCall](#)

Navigation Path

Navigation path on the DataView portal:

NOC Reporting > VOIP > Cisco > IP Telephony Call Detail Record > Clusters > %(clusterId)

NOC Reporting > VOIP > Cisco > IP Telephony Call Detail Record > Clusters > %(CDRclusterId)

Drills Down To

[Cluster IP vs Legacy Detail Chart](#)

Drilled Down From

None.

Cluster Quality Detail Chart

Description

Detail chart showing cluster quality based on information collected through Call Detail Records (call signaling) and Call Maintenance Records.

Reporter Set

Cluster

Tables and Charts

Charts: Resource Time Series Chart (7 of 8 implemented)
Metric Ratio Chart (2 of 2 implemented)

Metrics Used in Report

[ClusterDropCall](#)

[ClusterJitter](#)

[ClusterMOS](#)

[ClusterNbPacketsLost](#)

[ClusterNbPacketsReceived](#)

[ClusterNbPacketsSent](#)

[ClusterSuccessfulCall](#)

[ClusterUnsuccessfulCall](#)

[MLQK](#)

Navigation Path

This report is not deployed on the portal navigation path during the initial configuration of the technology pack. To display this report, drill down to it from another report or deploy it with the DataMart Resource Editor.

Drills Down To

None.

Drilled Down From

[Cluster Quality Resource](#)

[Top 10 Cluster Call Completion](#)

[Top 10 Cluster Number of Errors](#)

Cluster Quality Group

Description

Group summary chart showing cluster quality based on information collected through Call Detail Records (call signaling) and Call Maintenance Records.

Reporter Set

Cluster

Tables and Charts

Tables: Group Summary Table (1 of 2 implemented)

Charts: Resource Distribution Chart (2 of 2 implemented)

Metrics Used in Report

[Cluster Percentage of Drop Calls \(percent\)](#)

[Cluster Percentage of Packet Lost \(percent\)](#)

[Cluster Percentage of Successful Calls \(percent\)](#)

[ClusterJitter](#)

[ClusterLatency](#)

[ClusterMOS](#)

[MLQK](#)

Navigation Path

Navigation path on the DataView portal:

NOC Reporting > VOIP > Cisco > IP Telephony Call Detail Record > Clusters

Drills Down To

[Cluster Quality Resource](#)

Drilled Down From

None.

Cluster Quality Resource

Description

Resource summary chart showing cluster quality based on information collected through Call Detail Records (call signaling) and Call Maintenance Records.

Reporter Set

Cluster

Tables and Charts

Tables: Resource Summary Table (1 of 1 implemented)

Charts: Ratio Chart (2 of 2 implemented)

Metrics Used in Report

[Cluster Total Number of Normal Call Clearing](#)

[ClusterDropCall](#)

[ClusterJitter](#)

[ClusterLatency](#)

[ClusterNbPacketsLost](#)

[ClusterSuccessfulCall](#)

[ClusterUnsuccessfulCall](#)

[MLQK](#)

Navigation Path

Navigation path on the DataView portal:

NOC Reporting > VOIP > Cisco > IP Telephony Call Detail Record > Clusters > %(clusterId)

NOC Reporting > VOIP > Cisco > IP Telephony Call Detail Record > Clusters > %(CDRclusterId)

Drills Down To

[Cluster Quality Detail Chart](#)

Drilled Down From

[CDR Quality Group](#)

[Cluster Erlang-B Group](#)

[Cluster Quality Group](#)

Global VOIP

Cluster Utilization Detail Chart

Description

Detail chart showing cluster utilization based on information collected through CDRs and CMRs.

Reporter Set

Cluster

Tables and Charts

Charts: Resource Time Series Chart (7 of 8 implemented)
Metric Ratio Chart (2 of 2 implemented)

Metrics Used in Report

[Cluster Erlang](#)

[Cluster Total Hours of Traffic](#)

[Cluster Total Number of Company Calls \(Nb\)](#)

[ClusterNbPacketsLost](#)

[ClusterNbPacketsReceived](#)

[ClusterNbPacketsSent](#)

[ClusterSuccessfulCall](#)

[ClusterTollBypassCall](#)

[ClusterTotalCall](#)

[ClusterUnsuccessfulCall](#)

Navigation Path

This report is not deployed on the portal navigation path during the initial configuration of the technology pack. To display this report, drill down to it from another report or deploy it with the DataMart Resource Editor.

Drills Down To

None.

Drilled Down From

[Cluster Utilization MLH Resource](#)

[Cluster Utilization Resource](#)

[Top 10 Cluster Number of Calls](#)

Cluster Utilization Group

Description

Group summary chart showing cluster utilization based on information collected through CDRs and CMRs.

Reporter Set

Cluster

Tables and Charts

Tables: Group Summary Table (1 of 2 implemented)

Charts: Resource Distribution Chart (2 of 2 implemented)

Metrics Used in Report

[Cluster Erlang](#)

[Cluster Percentage of Company Calls \(percent\)](#)

[Cluster Percentage of TollBypass Calls \(percent\)](#)

[Cluster Total Hours of Traffic](#)

[ClusterIntersiteIPCall](#)

[ClusterNbPacketsReceived](#)

[ClusterNbPacketsSent](#)

[ClusterTotalCall](#)

Navigation Path

Navigation path on the DataView portal:

NOC Reporting > VOIP > Cisco > IP Telephony Call Detail Record > Clusters

Drills Down To

[Cluster Utilization Resource](#)

Drilled Down From

None.

Cluster Utilization MLH Resource

Description

Resource summary report showing cluster utilization based on multi-line hunt (MLH) metrics.

Reporter Set

Cluster

Tables and Charts

No table and chart information is available for this report (stylesheet PVLsRatio_MLH_RST.html).

Metrics Used in Report

[Cluster Total Hours of Traffic](#)

[Cluster Total Number of Company Calls \(Nb\)](#)

[ClusterNbPacketsLost](#)

[ClusterNbPacketsReceived](#)

[ClusterNbPacketsSent](#)

[ClusterSuccessfulCall](#)

[ClusterTollBypassCall](#)

[ClusterTotalCall](#)

[ClusterUnsuccessfulCall](#)

Navigation Path

Navigation path on the DataView portal:

NOC Reporting > VOIP > Cisco > IP Telephony Call Detail Record > Clusters > %(clusterId)

NOC Reporting > VOIP > Cisco > IP Telephony Call Detail Record > Clusters > %(CDRclusterId)

Drills Down To

[Cluster Utilization Detail Chart](#)

Drilled Down From

None.

Cluster Utilization Resource

Description

Resource summary chart showing cluster utilization based on information collected through CDRs and CMRs.

Reporter Set

Cluster

Tables and Charts

Tables: Resource Summary Table (1 of 1 implemented)

Charts: Ratio Chart (2 of 2 implemented)

Metrics Used in Report

[Cluster Erlang](#)

[Cluster Total Hours of Traffic](#)

[Cluster Total Number of Company Calls \(Nb\)](#)

[Cluster Total Number of External Calls \(Nb\)](#)

[Cluster Total Number of Outgoing External Calls \(Nb\)](#)

[ClusterNbPacketsReceived](#)

[ClusterNbPacketsSent](#)

[ClusterTollBypassCall](#)

[ClusterTotalCall](#)

Navigation Path

Navigation path on the DataView portal:

NOC Reporting > VOIP > Cisco > IP Telephony Call Detail Record > Clusters > %(clusterId)

NOC Reporting > VOIP > Cisco > IP Telephony Call Detail Record > Clusters > %(CDRclusterId)

Drills Down To

[Cluster Utilization Detail Chart](#)

Drilled Down From

[CDR Utilization Group](#)

[Cluster Utilization Group](#)

[Global VOIP](#)

Cluster VoiceMail Usage Detail Chart

Description

Detail chart showing cluster voicemail utilization based on information collected through CDRs and CMRs.

Reporter Set

Cluster

Tables and Charts

Charts: Resource Time Series Chart (5 of 8 implemented)
Metric Ratio Chart (2 of 2 implemented)

Metrics Used in Report

[Cluster Number of Direct VoiceMail Calls \(Nb\)](#)

[ClusterForwardToVoiceMail](#)

[ClusterTotalCall](#)

[ClusterVoicemailCallDuration](#)

[ClusterVoiceMailCall](#)

[ClusterVoicemailPackets](#)

Navigation Path

This report is not deployed on the portal navigation path during the initial configuration of the technology pack. To display this report, drill down to it from another report or deploy it with the DataMart Resource Editor.

Drills Down To

None.

Drilled Down From

[Cluster VoiceMail Usage Resource](#)

Cluster VoiceMail Usage Resource

Description

Resource summary chart showing cluster voicemail utilization based on information collected through CDRs and CMRs.

Reporter Set

Cluster

Tables and Charts

Tables: ResSummary (1 implemented)

Charts: Ratio (1 implemented)

Metrics Used in Report

[Cluster Number of Direct VoiceMail Calls \(Nb\)](#)

[ClusterForwardToVoiceMail](#)

[ClusterVoicemailCallDuration](#)

[ClusterVoiceMailCall](#)

[ClusterVoicemailPackets](#)

Navigation Path

Navigation path on the DataView portal:

NOC Reporting > VOIP > Cisco > IP Telephony Call Detail Record > Clusters > %(clusterId)

NOC Reporting > VOIP > Cisco > IP Telephony Call Detail Record > Clusters > %(CDRclusterId)

Drills Down To

[Cluster VoiceMail Usage Detail Chart](#)

Drilled Down From

None.

Errors on Cluster by Codec

Description

Resource summary report for codec errors in a cluster.

Reporter Set

Codec

Tables and Charts

Tables: Resource Summary Table (1 of 1 implemented)

Charts: Resource Distribution Chart (0 of 2 implemented)

Metrics Used in Report

[CauseCallRejected](#)

[CauseChannelUnacceptable](#)

[CauseDestinationOutOfOrder](#)

[CauseInvalidNumberFormat](#)

[CauseMisdialedTrunkPrefix](#)

[CauseNetworkOutOfOrder](#)

[CauseNoAnswerFromUser](#)

[CauseNoChannelAvailable](#)

[CauseNoRouteToDestination](#)

[CauseNoRouteTransitNetwork](#)

[CauseNoUserResponding](#)

[CauseNumberChanged](#)

[CauseOther](#)

[CauseResourceUnavailable](#)

[CauseSubscriberAbsent](#)

[CauseSwitchCongestion](#)

[CauseTemporaryFailure](#)

[CauseUnassignedNumber](#)

[CauseUserBusy](#)

Navigation Path

Navigation path on the DataView portal:

NOC Reporting > VOIP > Cisco > IP Telephony Call Detail Record > Codec > By Cluster > %(clusterId)

NOC Reporting > VOIP > Cisco > IP Telephony Call Detail Record > Codec > By Cluster > %(CDRclusterId)

Drills Down To

[CDR Quality Detail Chart](#)

Drilled Down From

None.

Gatekeeper Availability Resource Detail Chart

Description

Detail chart based on gatekeeper device reachability and response time.

Reporter Set

Device

Tables and Charts

Charts: Resource Time Series Chart (4 of 8 implemented)
Metric Ratio Chart (1 of 2 implemented)

Metrics Used in Report

[Gatekeeper ICMP Inbound Errors \(percent\)](#)

[Gatekeeper ICMP Outbound Errors \(percent\)](#)

[SNMP Availability \(percent\) \(avg last hour\)](#)

[SNMP Availability \(percent\) \(avg last hour\)](#)

[SNMP Response Time \(ms\) \(avg last hour\)](#)

[SNMP Unavailable \(percent\) \(avg last hour\)](#)

Navigation Path

Navigation path on the DataView portal:

NOC Reporting > VOIP > Cisco > Infrastructure > Gatekeeper > Device

Drills Down To

None.

Drilled Down From

[Gatekeeper Availability Resource](#)

Gatekeeper Availability Resource

Description

Resource summary chart based on gatekeeper device reachability and response time.

Reporter Set

Device

Tables and Charts

Tables: Resource Summary Table (1 of 1 implemented)

Charts: Resource Distribution Chart (2 of 2 implemented)

Metrics Used in Report

[Gatekeeper ICMP Inbound Errors \(percent\)](#)

[Gatekeeper ICMP Outbound Errors \(percent\)](#)

[SNMP Availability \(percent\) \(avg last hour\)](#)

[SNMP Response Time \(ms\) \(avg last hour\)](#)

[SNMP Response Time \(ms\) \(avg last hour\)](#)

Navigation Path

Navigation path on the DataView portal:

NOC Reporting > VOIP > Cisco > Infrastructure > Gatekeeper > Device

Drills Down To

[Gatekeeper Availability Resource Detail Chart](#)

Drilled Down From

None.

Gatekeeper Device Quality Resource Detail Chart

Description

Detail chart based on gatekeeper device CPU utilization and network errors.

Reporter Set

Device

Tables and Charts

Charts: Resource Time Series Chart (6 of 8 implemented)
Metric Ratio Chart (2 of 2 implemented)

Metrics Used in Report

- [Gatekeeper Buffer Utilization \(percent\)](#)
- [Gatekeeper Call Setup Quality \(percent\)](#)
- [Gatekeeper CPU Utilization \(percent\) \(avg last 5 mn\)](#)
- [Gatekeeper Packet Errors \(Nb\)](#)
- [Gatekeeper Total Number of Admission Rejects \(Nb\)](#)
- [Gatekeeper Total Number of Admission Requests \(Nb\)](#)
- [Gatekeeper Total Number of Concurrent Calls \(Nb\) \(Gauge\)](#)
- [Gatekeeper Total Number of Location Rejects \(Nb\)](#)
- [Gatekeeper Total Number of Location Requests \(Nb\)](#)
- [Gatekeeper Total Packets \(Nb\)](#)

Navigation Path

Navigation path on the DataView portal:

NOC Reporting > VOIP > Cisco > Infrastructure > Gatekeeper > Device

Drills Down To

None.

Drilled Down From

- [Gatekeeper Device Quality Resource](#)

Gatekeeper Device Quality Resource

Description

Resource summary chart based on gatekeeper device CPU utilization and network errors.

Reporter Set

Device

Tables and Charts

Tables: Resource Summary Table (1 of 1 implemented)

Charts: Resource Distribution Chart (2 of 2 implemented)

Metrics Used in Report

[Gatekeeper Call Setup Quality \(percent\)](#)

[Gatekeeper CPU Utilization \(percent\) \(avg last 5 mn\)](#)

[Gatekeeper Packet Errors \(Nb\)](#)

[Gatekeeper Total Number of Concurrent Calls \(Nb\) \(Gauge\)](#)

[Gatekeeper Total Number of Registered EndPoints \(Nb\)](#)

[Gatekeeper Total Packets \(Nb\)](#)

Navigation Path

Navigation path on the DataView portal:

NOC Reporting > VOIP > Cisco > Infrastructure > Gatekeeper > Device

Drills Down To

[Gatekeeper Device Quality Resource Detail Chart](#)

Drilled Down From

None.

Gatekeeper Interface Availability Resource Detail Chart

Description

Detail chart showing gatekeeper's interface availability percentage.

Reporter Set

Interface

Tables and Charts

Charts: Resource Time Series Chart (2 of 8 implemented)
Metric Ratio Chart (1 of 2 implemented)

Metrics Used in Report

[Interface Availability \(percent\)](#)

[Interface Packet Loss \(percent\)](#)

Navigation Path

Navigation path on the DataView portal:

NOC Reporting > VOIP > Cisco > Infrastructure > Gatekeeper > Interface

Drills Down To

None.

Drilled Down From

[Gatekeeper Interface Availability Resource](#)

Gatekeeper Interface Availability Resource

Description

Resource summary chart showing gatekeeper's interface availability percentage.

Reporter Set

Interface

Tables and Charts

Tables: ResSummary (1 implemented)

Metrics Used in Report

[Inbound Loss \(percent\)](#)

[Interface Availability \(percent\)](#)

[Outbound Loss \(percent\)](#)

Navigation Path

Navigation path on the DataView portal:

NOC Reporting > VOIP > Cisco > Infrastructure > Gatekeeper > Interface

Drills Down To

[Gatekeeper Interface Availability Resource Detail Chart](#)

Drilled Down From

None.

Gatekeeper Interface Utilization Resource Detail Chart

Description

Detail chart showing gatekeeper's interface bandwidth utilization percentage.

Reporter Set

Interface

Tables and Charts

Charts: Resource Time Series Chart (4 of 8 implemented)
Metric Ratio Chart (2 of 2 implemented)

Metrics Used in Report

[Interface Bandwidth Utilization In \(percent\)](#)

[Interface Bandwidth Utilization Out \(percent\)](#)

[Interface Throughput In \(kbps\)](#)

[Interface Throughput Out \(kbps\)](#)

Navigation Path

Navigation path on the DataView portal:

NOC Reporting > VOIP > Cisco > Infrastructure > Gatekeeper > Interface

Drills Down To

None.

Drilled Down From

[Gatekeeper Interface Utilization Resource](#)

Gatekeeper Interface Utilization Resource

Description

Resource summary chart showing gatekeeper's interface bandwidth utilization percentage.

Reporter Set

Interface

Tables and Charts

Tables: Resource Summary Table (1 of 1 implemented)

Charts: Resource Distribution Chart (2 of 2 implemented)

Metrics Used in Report

[Interface Bandwidth Utilization In \(percent\)](#)

[Interface Bandwidth Utilization Out \(percent\)](#)

[Interface Throughput In \(kbps\)](#)

[Interface Throughput Out \(kbps\)](#)

Navigation Path

Navigation path on the DataView portal:

NOC Reporting > VOIP > Cisco > Infrastructure > Gatekeeper > Interface

Drills Down To

[Gatekeeper Interface Utilization Resource Detail Chart](#)

Drilled Down From

None.

Global VOIP

Description

A multi-technologies report that targets the customer's decision maker. In a single view, the decision maker will have a global overview about the quality of the IP Telephony application in terms of call setup and termination, voice quality, network infrastructure, and system and service performances.

Reporter Set

Global Customer Reports

Tables and Charts

No table and chart information is available for this report (stylesheet PVLs_Cisco_VOIP_Global.html).

Metrics Used in Report

[CCM CPU Utilization \(percent\) \(avg last 5 mn\)](#)

[Cluster Percentage of Packet Lost \(percent\)](#)

[Cluster Total Number of Normal Call Clearing](#)

[ClusterDropCall](#)

[ClusterJitter](#)

[ClusterOffNetCall](#)

[ClusterOnNetCall](#)

[ClusterSuccessfulCall](#)

[ClusterUnsuccessfulCall](#)

[Interface Bandwidth Utilization Out \(percent\)](#)

[PSTN Gateway Active DS0 Channels \(Nb\) \(Gauge\)](#)

[PSTN Gateway Active DS0 Channels \(Nb\)](#)

[PSTN Gateway Network Errors \(percent\)](#)

Navigation Path

Navigation path on the DataView portal:

NOC Reporting > VOIP > Cisco > Global Customer View

Drills Down To

[CCM Server Quality Resource](#)

[Cluster Quality Resource](#)

[Cluster Utilization Resource](#)

[PSTN Gateway Device Quality Resource Detail Chart](#)

[Top 10 E1/T1 Utilization Resource](#)

Drilled Down From

None.

K-Factor Detail Chart

Description

Detail report on listening quality using ITU-standard K-Factor metrics.

Reporter Set

K-Factor

Tables and Charts

Charts: Resource Time Series Chart (5 of 8 implemented)
Metric Ratio Chart (0 of 2 implemented)

Metrics Used in Report

CCR

CS

ICR

ICRmx

SCS

Navigation Path

This report is not deployed on the portal navigation path during the initial configuration of the technology pack. To display this report, drill down to it from another report or deploy it with the DataMart Resource Editor.

Drills Down To

None.

Drilled Down From

K-Factor Resource

Top 10 CDR K-Factor

K-Factor Group

Description

Group summary report on listening quality using ITU-standard K-Factor metrics.

Reporter Set

K-Factor

Tables and Charts

Tables: Group Summary Table (2 of 2 implemented)

Charts: Resource Distribution Chart (1 of 2 implemented)

Metrics Used in Report

[CCR](#)

[CS](#)

[ICR](#)

[ICRmx](#)

[MLQKav](#)

[MLQK](#)

[MLQKmn](#)

[SCS](#)

Navigation Path

Navigation path on the DataView portal:

NOC Reporting > VOIP > Cisco > IP Telephony Call Detail Record > Clusters

NOC Reporting > VOIP > Cisco > IP Telephony Call Detail Record > Codec > By Customer

NOC Reporting > VOIP > Cisco > IP Telephony Call Detail Record > Extensions > By Cluster

NOC Reporting > VOIP > Cisco > IP Telephony Call Detail Record > Codec > By Cluster

NOC Reporting > VOIP > Cisco > IP Telephony Call Detail Record > Extensions > By Site

Drills Down To

[CDR Quality Resource](#)

[K-Factor Resource](#)

Drilled Down From

None.

K-Factor Resource

Description

Resource summary report on listening quality using ITU-standard K-Factor metrics.

Reporter Set

K-Factor

Tables and Charts

Tables: Resource Summary Table (1 of 1 implemented)

Charts: Resource Distribution Chart (0 of 2 implemented)

Metrics Used in Report

CCR

CS

ICR

ICRmx

MLQKav

MLQK

MLQKmn

SCS

Navigation Path

Navigation path on the DataView portal:

NOC Reporting > VOIP > Cisco > IP Telephony Call Detail Record > Clusters > %(clusterId)

NOC Reporting > VOIP > Cisco > IP Telephony Call Detail Record > Codec > By Cluster > %(clusterId)

NOC Reporting > VOIP > Cisco > IP Telephony Call Detail Record > Codec > By Customer > %(customerId)

NOC Reporting > VOIP > Cisco > IP Telephony Call Detail Record > Extensions > By Cluster > %(clusterId)

NOC Reporting > VOIP > Cisco > IP Telephony Call Detail Record > Extensions > By Customer > %(customerId)

NOC Reporting > VOIP > Cisco > IP Telephony Call Detail Record > Extensions > By Site > %(siteId)

NOC Reporting > VOIP > Cisco > IP Telephony Call Detail Record > Clusters > %(CDRclusterId)

NOC Reporting > VOIP > Cisco > IP Telephony Call Detail Record > Codec > By Cluster > %(CDRclusterId)

NOC Reporting > VOIP > Cisco > IP Telephony Call Detail Record > Codec > By Customer > %(CDRcustomerId)

NOC Reporting > VOIP > Cisco > IP Telephony Call Detail Record > Extensions > By Cluster > %(CDRclusterId)

NOC Reporting > VOIP > Cisco > IP Telephony Call Detail Record > Extensions > By Customer > %(CDRcustomerId)

NOC Reporting > VOIP > Cisco > IP Telephony Call Detail Record > Extensions > By Site > %(CDRsiteId)

Drills Down To

[CDR Quality Detail Chart](#)

[K-Factor Detail Chart](#)

Drilled Down From

[K-Factor Group](#)

Media Device Group

Description

Group summary chart showing the media device's registration availability percentage.

Reporter Set

Media Devices

Tables and Charts

Tables: Group Summary Table (1 of 2 implemented)

Charts: Resource Distribution Chart (1 of 2 implemented)

Metrics Used in Report

[CCM Media Device Registration Availability \(percent\)](#)

Navigation Path

Navigation path on the DataView portal:

NOC Reporting > VOIP > Cisco > Infrastructure > Media Device

Drills Down To

[Media Device Resource](#)

Drilled Down From

None.

Media Device Resource Detail Chart

Description

Detail chart showing the media device's registration availability percentage.

Reporter Set

Media Devices

Tables and Charts

Charts: Resource Time Series Chart (1 of 8 implemented)
Metric Ratio Chart (0 of 2 implemented)

Metrics Used in Report

[CCM Media Device Registration Availability \(percent\)](#)

Navigation Path

This report is not deployed on the portal navigation path during the initial configuration of the technology pack. To display this report, drill down to it from another report or deploy it with the DataMart Resource Editor.

Drills Down To

None.

Drilled Down From

[Media Device Resource](#)

Media Device Resource

Description

Resource summary chart showing the media device's registration availability percentage.

Reporter Set

Media Devices

Tables and Charts

Tables: ResSummary (1 implemented)

Charts: ResDistrib (1 implemented)

Metrics Used in Report

[CCM Media Device Registration Availability \(percent\)](#)

Navigation Path

Navigation path on the DataView portal:

NOC Reporting > VOIP > Cisco > Infrastructure > Media Device > %(VoIPCallMgrClusterId)

Drills Down To

[Media Device Resource Detail Chart](#)

Drilled Down From

[Media Device Group](#)

Perfmon Active Calls Detail Chart

Description

Detail report for Microsoft performance counter metrics.

Reporter Set

Perfmon

Tables and Charts

Charts: Resource Time Series Chart (9 of 9 implemented)

Metrics Used in Report

[CallsActive](#)

[CallsInProgress](#)

[GatewayCallsActive](#)

[H323CallsActive](#)

[H323CallsInProgress](#)

[HuntlistCallsActive](#)

[HuntlistCallsInProgress](#)

[SIPCallsActive](#)

[SIPCallsInProgress](#)

Navigation Path

This report is not deployed on the portal navigation path during the initial configuration of the technology pack. To display this report, drill down to it from another report or deploy it with the DataMart Resource Editor.

Drills Down To

None.

Drilled Down From

[Perfmon Active Calls Resource](#)

[Perfmon Security Resource](#)

Perfmon Active Calls Group

Description

Group summary report for Microsoft performance counter metrics.

Reporter Set

Perfmon

Tables and Charts

Tables: Group Summary Table (2 of 2 implemented)

Charts: Resource Distribution Chart (0 of 2 implemented)

Metrics Used in Report

[CallsActive](#)

[CallsInProgress](#)

[GatewayCallsActive](#)

[H323CallsActive](#)

[H323CallsInProgress](#)

[HuntlistCallsActive](#)

[HuntlistCallsInProgress](#)

[SIPCallsActive](#)

[SIPCallsInProgress](#)

Navigation Path

Navigation path on the DataView portal:

NOC Reporting > VOIP > Cisco > Infrastructure > CCM Server > Perfmon > By Cluster

NOC Reporting > VOIP > Cisco > Infrastructure > CCM Server > Perfmon > By Site

Drills Down To

[CDR Quality Resource](#)

[Perfmon Active Calls Resource](#)

Drilled Down From

None.

Perfmon Active Calls Resource

Description

Resource summary report for Microsoft performance counter metrics.

Reporter Set

Perfmon

Tables and Charts

Tables: Resource Summary Table (2 of 1 implemented)

Charts: Resource Distribution Chart (0 of 2 implemented)

Metrics Used in Report

[CallsActive](#)

[CallsInProgress](#)

[GatewayCallsActive](#)

[H323CallsActive](#)

[H323CallsInProgress](#)

[HuntlistCallsActive](#)

[HuntlistCallsInProgress](#)

[SIPCallsActive](#)

[SIPCallsInProgress](#)

Navigation Path

Navigation path on the DataView portal:

NOC Reporting > VOIP > Cisco > Infrastructure > CCM Server > Perfmon > By Cluster > %(clusterId)

NOC Reporting > VOIP > Cisco > Infrastructure > CCM Server > Perfmon > By Site > %(siteId)

NOC Reporting > VOIP > Cisco > Infrastructure > CCM Server > Perfmon > By Cluster > %(CDRclusterId)

NOC Reporting > VOIP > Cisco > Infrastructure > CCM Server > Perfmon > By Site > %(CDRsiteId)

Drills Down To

[CDR Quality Detail Chart](#)

[Perfmon Active Calls Detail Chart](#)

Drilled Down From

[Perfmon Active Calls Group](#)

[Perfmon MOH Group](#)

[Perfmon PSTN Group](#)

[Perfmon Security Group](#)

Perfmon MOH Detail Chart

Description

Detail report for Perfmon Music on Hold (MOH) counter metrics.

Reporter Set

Perfmon

Tables and Charts

Charts: Resource Time Series Chart (6 of 9 implemented)

Metrics Used in Report

[MOHMulticastResourceActive](#)

[MOHMulticastResourceAvailable](#)

[MOHTotalMulticastResources](#)

[MOHTotalUnicastResources](#)

[MOHUnicastResourceActive](#)

[MOHUnicastResourceAvailable](#)

Navigation Path

This report is not deployed on the portal navigation path during the initial configuration of the technology pack. To display this report, drill down to it from another report or deploy it with the DataMart Resource Editor.

Drills Down To

None.

Drilled Down From

[Perfmon MOH Resource](#)

Perfmon MOH Group

Description

Group summary report for Perfmon Music on Hold (MOH) counter metrics.

Reporter Set

Perfmon

Tables and Charts

Tables: Group Summary Table (1 of 2 implemented)

Charts: Resource Distribution Chart (0 of 2 implemented)

Metrics Used in Report

[MOHMulticastResourceActive](#)

[MOHMulticastResourceAvailable](#)

[MOHTotalMulticastResources](#)

[MOHTotalUnicastResources](#)

[MOHUnicastResourceActive](#)

[MOHUnicastResourceAvailable](#)

Navigation Path

Navigation path on the DataView portal:

NOC Reporting > VOIP > Cisco > Infrastructure > CCM Server > Perfmon > By Cluster

NOC Reporting > VOIP > Cisco > Infrastructure > CCM Server > Perfmon > By Site

Drills Down To

[CDR Quality Resource](#)

[Perfmon Active Calls Resource](#)

[Perfmon MOH Resource](#)

Drilled Down From

None.

Perfmon MOH Resource

Description

Resource summary report for Perfmon Music on Hold (MOH) counter metrics.

Reporter Set

Perfmon

Tables and Charts

Tables: Resource Summary Table (1 of 1 implemented)

Charts: Resource Distribution Chart (0 of 2 implemented)

Metrics Used in Report

[MOHMulticastResourceActive](#)

[MOHMulticastResourceAvailable](#)

[MOHTotalMulticastResources](#)

[MOHTotalUnicastResources](#)

[MOHUnicastResourceActive](#)

[MOHUnicastResourceAvailable](#)

Navigation Path

Navigation path on the DataView portal:

NOC Reporting > VOIP > Cisco > Infrastructure > CCM Server > Perfmon > By Cluster > %(clusterId)

NOC Reporting > VOIP > Cisco > Infrastructure > CCM Server > Perfmon > By Site > %(siteId)

NOC Reporting > VOIP > Cisco > Infrastructure > CCM Server > Perfmon > By Cluster > %(CDRclusterId)

NOC Reporting > VOIP > Cisco > Infrastructure > CCM Server > Perfmon > By Site > %(CDRsiteId)

Drills Down To

[CDR Quality Detail Chart](#)

[Perfmon MOH Detail Chart](#)

Drilled Down From

[Perfmon MOH Group](#)

Perfmon PSTN Detail Chart

Description

Detail report for Perfmon PSTN counter metrics.

Reporter Set

Perfmon

Tables and Charts

Charts: Resource Time Series Chart (8 of 9 implemented)

Metrics Used in Report

[BRChannelsActive](#)

[BRISpansInService](#)

[FXOPortsActive](#)

[FXOPortsInService](#)

[FXSPortsActive](#)

[FXSPortsInService](#)

[T1ChannelsActive](#)

[T1SpansInService](#)

Navigation Path

This report is not deployed on the portal navigation path during the initial configuration of the technology pack. To display this report, drill down to it from another report or deploy it with the DataMart Resource Editor.

Drills Down To

None.

Drilled Down From

[Perfmon PSTN Resource](#)

Perfmon PSTN Group

Description

Group summary report for Perfmon PSTN counter metrics.

Reporter Set

Perfmon

Tables and Charts

Tables: Group Summary Table (2 of 2 implemented)

Charts: Resource Distribution Chart (0 of 2 implemented)

Metrics Used in Report

[BRChannelsActive](#)

[BRISpansInService](#)

[FXOPortsActive](#)

[FXOPortsInService](#)

[FXSPortsActive](#)

[FXSPortsInService](#)

[T1ChannelsActive](#)

[T1SpansInService](#)

Navigation Path

Navigation path on the DataView portal:

NOC Reporting > VOIP > Cisco > Infrastructure > CCM Server > Perfmon > By Cluster

NOC Reporting > VOIP > Cisco > Infrastructure > CCM Server > Perfmon > By Site

Drills Down To

[CDR Quality Resource](#)

[Perfmon Active Calls Resource](#)

[Perfmon PSTN Resource](#)

Drilled Down From

None.

Perfmon PSTN Resource

Description

Resource summary report for Perfmon PSTN counter metrics.

Reporter Set

Perfmon

Tables and Charts

Tables: Resource Summary Table (2 of 1 implemented)

Charts: Resource Distribution Chart (0 of 2 implemented)

Metrics Used in Report

[AttendantConsoleClientsRegistered](#)

[BRChannelsActive](#)

[BRISpansInService](#)

[FXOPortsActive](#)

[FXOPortsInService](#)

[FXSPortsActive](#)

[FXSPortsInService](#)

[T1ChannelsActive](#)

[T1SpansInService](#)

Navigation Path

Navigation path on the DataView portal:

NOC Reporting > VOIP > Cisco > Infrastructure > CCM Server > Perfmon > By Cluster > %(clusterId)

NOC Reporting > VOIP > Cisco > Infrastructure > CCM Server > Perfmon > By Site > %(siteId)

NOC Reporting > VOIP > Cisco > Infrastructure > CCM Server > Perfmon > By Cluster > %(CDRclusterId)

NOC Reporting > VOIP > Cisco > Infrastructure > CCM Server > Perfmon > By Site > %(CDRsiteId)

Drills Down To

[CDR Quality Detail Chart](#)

[Perfmon PSTN Detail Chart](#)

Drilled Down From

Perfmon PSTN Group

Perfmon Security Detail Chart

Description

Detail chart for Perfmon counter metrics on active calls.

Reporter Set

Perfmon

Tables and Charts

Charts: Resource Time Series Chart (9 of 9 implemented)

Metrics Used in Report

AttendantConsoleClientsOnline

AttendantConsoleClientsRegistered

AuthenticatedCallsActive

AuthenticatedPartiallyRegisteredPhone

AuthenticatedRegisteredPhones

CallsActive

EncryptedCallsActive

EncryptedPartiallyRegisteredPhones

EncryptedRegisteredPhones

Navigation Path

This report is not deployed on the portal navigation path during the initial configuration of the technology pack. To display this report, drill down to it from another report or deploy it with the DataMart Resource Editor.

Drills Down To

None.

Drilled Down From

Perfmon Security Resource

Perfmon Security Group

Description

Group summary report for Perfmon security metrics.

Reporter Set

Perfmon

Tables and Charts

Tables: Group Summary Table (2 of 2 implemented)

Charts: Resource Distribution Chart (0 of 2 implemented)

Metrics Used in Report

[AttendantConsoleClientsOnline](#)

[AttendantConsoleClientsRegistered](#)

[AuthenticatedCallsActive](#)

[AuthenticatedPartiallyRegisteredPhone](#)

[AuthenticatedRegisteredPhones](#)

[CallsActive](#)

[EncryptedCallsActive](#)

[EncryptedPartiallyRegisteredPhones](#)

[EncryptedRegisteredPhones](#)

Navigation Path

Navigation path on the DataView portal:

NOC Reporting > VOIP > Cisco > Infrastructure > CCM Server > Perfmon > By Site

NOC Reporting > VOIP > Cisco > Infrastructure > CCM Server > Perfmon > By Cluster

Drills Down To

[CDR Quality Resource](#)

[Perfmon Active Calls Resource](#)

[Perfmon Security Resource](#)

Drilled Down From

None.

Perfmon Security Resource

Description

Resource summary report for Perfmon security metrics.

Reporter Set

Perfmon

Tables and Charts

Tables: Resource Summary Table (1 of 1 implemented)

Charts: Resource Distribution Chart (0 of 2 implemented)

Metrics Used in Report

[AttendantConsoleClientsOnline](#)

[AttendantConsoleClientsRegistered](#)

[AuthenticatedCallsActive](#)

[AuthenticatedPartiallyRegisteredPhone](#)

[AuthenticatedRegisteredPhones](#)

[CallsActive](#)

[EncryptedCallsActive](#)

[EncryptedPartiallyRegisteredPhones](#)

[EncryptedRegisteredPhones](#)

Navigation Path

Navigation path on the DataView portal:

NOC Reporting > VOIP > Cisco > Infrastructure > CCM Server > Perfmon > By Cluster > %(clusterId)

NOC Reporting > VOIP > Cisco > Infrastructure > CCM Server > Perfmon > By Site > %(siteId)

NOC Reporting > VOIP > Cisco > Infrastructure > CCM Server > Perfmon > By Cluster > %(CDRclusterId)

NOC Reporting > VOIP > Cisco > Infrastructure > CCM Server > Perfmon > By Site > %(CDRsiteId)

Drills Down To

[CDR Quality Detail Chart](#)

[Perfmon Active Calls Detail Chart](#)

[Perfmon Security Detail Chart](#)

Drilled Down From

Perfmon Security Group

PSTN Gateway Availability Resource Detail Chart

Description

Detail chart based on PSTN gateway errors and availability on the network.

Reporter Set

Device

Tables and Charts

Charts: Resource Time Series Chart (4 of 8 implemented)
Metric Ratio Chart (0 of 2 implemented)

Metrics Used in Report

[PSTN Gateway ICMP Inbound Errors \(percent\)](#)

[PSTN Gateway ICMP Outbound Errors \(percent\)](#)

[SNMP Availability \(percent\) \(avg last hour\)](#)

[SNMP Response Time \(ms\) \(avg last hour\)](#)

Navigation Path

This report is not deployed on the portal navigation path during the initial configuration of the technology pack. To display this report, drill down to it from another report or deploy it with the DataMart Resource Editor.

Drills Down To

None.

Drilled Down From

[PSTN Gateway Availability Resource](#)

PSTN Gateway Availability Resource

Description

Resource summary chart based on PSTN gateway errors and availability on the network.

Reporter Set

Device

Tables and Charts

Tables: Resource Summary Table (1 of 1 implemented)

Charts: Resource Distribution Chart (2 of 2 implemented)

Metrics Used in Report

[PSTN Gateway ICMP Inbound Errors \(percent\)](#)

[PSTN Gateway ICMP Outbound Errors \(percent\)](#)

[SNMP Availability \(percent\) \(avg last hour\)](#)

[SNMP Response Time \(ms\) \(avg last hour\)](#)

Navigation Path

Navigation path on the DataView portal:

NOC Reporting > VOIP > Cisco > Infrastructure > PSTN Gateway > Device > All

NOC Reporting > VOIP > Cisco > Infrastructure > PSTN Gateway > Device > By Type

Drills Down To

[PSTN Gateway Availability Resource Detail Chart](#)

Drilled Down From

None.

PSTN Gateway Device DS0 Usage Detail Chart

Description

Detail chart showing PSTN gateway DS0 usage and quality.

Reporter Set

Device

Tables and Charts

Charts: Resource Time Series Chart (6 of 8 implemented)
Metric Ratio Chart (2 of 2 implemented)

Metrics Used in Report

PSTN Gateway Active DS0 Channels (Nb)

PSTN Gateway Call Setup Quality (percent) (Successful / Total)

PSTN Gateway Total Number of Calls (Nb)

PSTN Gateway Total Number of Calls per mn (Calls/mn)

PSTN Gateway Total Number of Successful Calls (Nb)

PSTN Gateway Total Number of Unsuccessful Calls (Nb)

Navigation Path

This report is not deployed on the portal navigation path during the initial configuration of the technology pack. To display this report, drill down to it from another report or deploy it with the DataMart Resource Editor.

Drills Down To

None.

Drilled Down From

None.

PSTN Gateway Device Quality Resource Detail Chart

Description

Detail chart showing PSTN gateway CPU utilization, number of packets, and errors.

Reporter Set

Device

Tables and Charts

Charts: Resource Time Series Chart (6 of 8 implemented)
Metric Ratio Chart (0 of 2 implemented)

Metrics Used in Report

[PSTN Gateway Active DSO Channels \(Nb\)](#)

[PSTN Gateway ICMP Inbound Errors \(percent\)](#)

[PSTN Gateway ICMP Outbound Errors \(percent\)](#)

[PSTN Gateway Packet Discards](#)

[PSTN Gateway Total Packets per Second](#)

[SNMP Response Time \(ms\) \(avg last hour\)](#)

Navigation Path

This report is not deployed on the portal navigation path during the initial configuration of the technology pack. To display this report, drill down to it from another report or deploy it with the DataMart Resource Editor.

Drills Down To

None.

Drilled Down From

[Global VOIP](#)

[PSTN Gateway Device Quality Resource](#)

PSTN Gateway Device Quality Resource

Description

Resource summary chart showing PSTN gateway CPU utilization, number of packets, and errors.

Reporter Set

Device

Tables and Charts

Tables: Resource Summary Table (1 of 1 implemented)

Charts: Resource Distribution Chart (2 of 2 implemented)

Metrics Used in Report

[PSTN Gateway Active DS0 Channels \(Nb\)](#)

[PSTN Gateway Network Errors \(percent\)](#)

[PSTN Gateway Packet Discards](#)

[PSTN Gateway Total Packets per Second](#)

[SNMP Response Time \(ms\) \(avg last hour\)](#)

Navigation Path

Navigation path on the DataView portal:

NOC Reporting > VOIP > Cisco > Infrastructure > PSTN Gateway > Device > All

NOC Reporting > VOIP > Cisco > Infrastructure > PSTN Gateway > Device > By Type

Drills Down To

[PSTN Gateway Device Quality Resource Detail Chart](#)

Drilled Down From

None.

PSTN Gateway DSP Card Resource Detail Chart

Description

Detail chart showing DSP card utilization percentage.

Reporter Set

DSP Card

Tables and Charts

Charts: Resource Time Series Chart (2 of 8 implemented)
Metric Ratio Chart (0 of 2 implemented)

Metrics Used in Report

DSP Card Availability (percent)

DSP Card Resource Utilization (percent)

Navigation Path

This report is not deployed on the portal navigation path during the initial configuration of the technology pack. To display this report, drill down to it from another report or deploy it with the DataMart Resource Editor.

Drills Down To

None.

Drilled Down From

PSTN Gateway DSP Card Resource

PSTN Gateway DSP Card Resource

Description

Resource summary chart showing DSP card utilization percentage.

Reporter Set

DSP Card

Tables and Charts

Tables: Resource Summary Table (1 of 1 implemented)

Charts: Resource Distribution Chart (2 of 2 implemented)

Metrics Used in Report

DSP Card Availability (percent)

DSP Card Resource Utilization (percent)

Navigation Path

Navigation path on the DataView portal:

NOC Reporting > VOIP > Cisco > Infrastructure > PSTN Gateway > DSP Card > All

NOC Reporting > VOIP > Cisco > Infrastructure > PSTN Gateway > DSP Card > ByGateway:
%(Element.NAME)

Drills Down To

PSTN Gateway DSP Card Resource Detail Chart

Drilled Down From

None.

PSTN Gateway E1/T1 Availability Resource Detail Chart

Description

Detail chart showing E1 or T1 interface availability.

Reporter Set

Interface

Tables and Charts

Charts: Resource Time Series Chart (2 of 8 implemented)
Metric Ratio Chart (0 of 2 implemented)

Metrics Used in Report

Interface Availability (percent)

Interface Packet Loss (percent)

Navigation Path

This report is not deployed on the portal navigation path during the initial configuration of the technology pack. To display this report, drill down to it from another report or deploy it with the DataMart Resource Editor.

Drills Down To

None.

Drilled Down From

PSTN Gateway E1/T1Availability Resource

PSTN Gateway E1/T1 Interface Utilization Resource Detail Chart

Description

Detail chart showing E1 or T1 interface utilization percentage.

Reporter Set

Interface

Tables and Charts

Charts: Resource Time Series Chart (5 of 8 implemented)
Metric Ratio Chart (2 of 2 implemented)

Metrics Used in Report

[Interface Bandwidth Utilization In \(percent\)](#)

[Interface Bandwidth Utilization Out \(percent\)](#)

[Interface Throughput In \(kbps\)](#)

[Interface Throughput Out \(kbps\)](#)

[PSTN Gateway DS1 Active DS0 Channels \(Nb\)](#)

Navigation Path

This report is not deployed on the portal navigation path during the initial configuration of the technology pack. To display this report, drill down to it from another report or deploy it with the DataMart Resource Editor.

Drills Down To

None.

Drilled Down From

[PSTN Gateway E1/T1 Interface Utilization Resource](#)

[Top 10 E1/T1 Utilization Resource](#)

PSTN Gateway E1/T1 Interface Utilization Resource

Description

Resource summary chart showing E1 or T1 interface utilization percentage.

Reporter Set

Interface

Tables and Charts

Tables: Resource Summary Table (1 of 1 implemented)

Charts: Resource Distribution Chart (2 of 2 implemented)

Metrics Used in Report

[Interface Bandwidth Utilization In \(percent\)](#)

[Interface Bandwidth Utilization Out \(percent\)](#)

[Interface Throughput In \(kbps\)](#)

[Interface Throughput Out \(kbps\)](#)

[PSTN Gateway DS1 Active DS0 Channels \(Nb\)](#)

Navigation Path

Navigation path on the DataView portal:

NOC Reporting > VOIP > Cisco > Infrastructure > PSTN Gateway > Interface > All

NOC Reporting > VOIP > Cisco > Infrastructure > PSTN Gateway > Interface > By Gateway

Drills Down To

[PSTN Gateway E1/T1 Interface Utilization Resource Detail Chart](#)

Drilled Down From

[Top 10 E1/T1 Utilization Resource](#)

PSTN Gateway E1/T1 Availability Resource

Description

Resource summary chart showing E1 or T1 interface availability.

Reporter Set

Interface

Tables and Charts

Tables: ResSummary (1 implemented)

Charts: ResDistrib (1 implemented)

Metrics Used in Report

[Interface Availability \(percent\)](#)

[Interface Packet Loss \(percent\)](#)

Navigation Path

Navigation path on the DataView portal:

NOC Reporting > VOIP > Cisco > Infrastructure > PSTN Gateway > Interface > All

NOC Reporting > VOIP > Cisco > Infrastructure > PSTN Gateway > Interface > By Gateway

Drills Down To

[CDR Utilization Resource](#)

[PSTN Gateway E1/T1 Availability Resource Detail Chart](#)

Drilled Down From

None.

Top 10 CDR Call Completion

Description

Top 10 and bottom 10 extensions, gateways, or paths based on successful or unsuccessful calls.

Reporter Set

Extension

Tables and Charts

Tables: TopN (3 of 9 implemented)

Charts: TopN (3 of 9 implemented)

Metrics Used in Report

Percentage of Drop Calls (percent) CME(Bulk) VOIP Cisco

Percentage of Successful Calls (Nb) CME(Bulk) VOIP Cisco

Navigation Path

Navigation path on the DataView portal:

NOC Reporting > VOIP > Cisco > IP Telephony Call Detail Record > Extensions > By Cluster > %(clusterId)

NOC Reporting > VOIP > Cisco > IP Telephony Call Detail Record > Extensions > By Customer > %(customerId)

NOC Reporting > VOIP > Cisco > IP Telephony Call Detail Record > Extensions > By Site > %(siteId)

NOC Reporting > VOIP > Cisco > IP Telephony Call Detail Record > Media Gateways > By Cluster > %(clusterId)

NOC Reporting > VOIP > Cisco > IP Telephony Call Detail Record > Media Gateways > By Customer > %(customerId)

NOC Reporting > VOIP > Cisco > IP Telephony Call Detail Record > Media Gateways > By Site > %(siteId)

NOC Reporting > VOIP > Cisco > IP Telephony Call Detail Record > Paths > By Cluster > %(clusterId)

NOC Reporting > VOIP > Cisco > IP Telephony Call Detail Record > Paths > By Customer > %(customerId)

NOC Reporting > VOIP > Cisco > IP Telephony Call Detail Record > Extensions > By Cluster > %(CDRclusterId)

NOC Reporting > VOIP > Cisco > IP Telephony Call Detail Record > Extensions > By Customer > %(CDRcustomerId)

NOC Reporting > VOIP > Cisco > IP Telephony Call Detail Record > Extensions > By Site > %(CDRsiteId)

NOC Reporting > VOIP > Cisco > IP Telephony Call Detail Record > Media Gateways > By Cluster > %(CDRclusterId)

NOC Reporting > VOIP > Cisco > IP Telephony Call Detail Record > Media Gateways > By Customer > %(CDRcustomerId)

NOC Reporting > VOIP > Cisco > IP Telephony Call Detail Record > Media Gateways > By Site > %(CDRsiteId)

NOC Reporting > VOIP > Cisco > IP Telephony Call Detail Record > Paths > By Cluster > %(CDRclusterId)

NOC Reporting > VOIP > Cisco > IP Telephony Call Detail Record > Paths > By Customer > %(CDRcustomerId)

Drills Down To

[CDR Quality Detail Chart](#)

Drilled Down From

None.

Top 10 CDR Call Duration

Description

Top 10 extensions, gateways, or paths based on total call duration.

Reporter Set

Extension

Tables and Charts

Tables: TopN (2 of 9 implemented)

Charts: TopN (2 of 9 implemented)

Metrics Used in Report

CallDuration

TollbypassCallDuration

Navigation Path

Navigation path on the DataView portal:

NOC Reporting > VOIP > Cisco > IP Telephony Call Detail Record > Extensions > By Cluster > %(clusterId)

NOC Reporting > VOIP > Cisco > IP Telephony Call Detail Record > Extensions > By Customer > %(customerId)

NOC Reporting > VOIP > Cisco > IP Telephony Call Detail Record > Extensions > By Site > %(siteId)

NOC Reporting > VOIP > Cisco > IP Telephony Call Detail Record > Media Gateways > By Cluster > %(clusterId)

NOC Reporting > VOIP > Cisco > IP Telephony Call Detail Record > Media Gateways > By Customer > %(customerId)

NOC Reporting > VOIP > Cisco > IP Telephony Call Detail Record > Media Gateways > By Site > %(siteId)

NOC Reporting > VOIP > Cisco > IP Telephony Call Detail Record > Paths > By Cluster > %(clusterId)

NOC Reporting > VOIP > Cisco > IP Telephony Call Detail Record > Paths > By Customer > %(customerId)

NOC Reporting > VOIP > Cisco > IP Telephony Call Detail Record > Extensions > By Cluster > %(CDRclusterId)

NOC Reporting > VOIP > Cisco > IP Telephony Call Detail Record > Extensions > By Customer > %(CDRcustomerId)

NOC Reporting > VOIP > Cisco > IP Telephony Call Detail Record > Extensions > By Site > %(CDRsiteId)

NOC Reporting > VOIP > Cisco > IP Telephony Call Detail Record > Media Gateways > By Cluster > %(CDRclusterId)

NOC Reporting > VOIP > Cisco > IP Telephony Call Detail Record > Media Gateways > By Customer > %(CDRcustomerId)

NOC Reporting > VOIP > Cisco > IP Telephony Call Detail Record > Media Gateways > By Site > %(CDRsiteId)

NOC Reporting > VOIP > Cisco > IP Telephony Call Detail Record > Paths > By Cluster > %(CDRclusterId)

NOC Reporting > VOIP > Cisco > IP Telephony Call Detail Record > Paths > By Customer > %(CDRcustomerId)

Drills Down To

[CDR Utilization Detail Chart](#)

Drilled Down From

None.

Top 10 CDR K-Factor

Description

Top-10 CDR data using IDU-standard K-factor metrics.

Reporter Set

K-Factor

Tables and Charts

Tables: TopN (5 of 9 implemented)

Charts: TopN (5 of 9 implemented)

Metrics Used in Report

CCR

CS

ICR

MLQK

SCS

Navigation Path

Navigation path on the DataView portal:

NOC Reporting > VOIP > Cisco > IP Telephony Call Detail Record > Clusters > %(clusterId)

NOC Reporting > VOIP > Cisco > IP Telephony Call Detail Record > Codec > By Cluster > %(clusterId)

NOC Reporting > VOIP > Cisco > IP Telephony Call Detail Record > Codec > By Customer > %(customerId)

NOC Reporting > VOIP > Cisco > IP Telephony Call Detail Record > Extensions > By Cluster > %(clusterId)

NOC Reporting > VOIP > Cisco > IP Telephony Call Detail Record > Extensions > By Customer > %(customerId)

NOC Reporting > VOIP > Cisco > IP Telephony Call Detail Record > Extensions > By Site > %(siteId)

NOC Reporting > VOIP > Cisco > IP Telephony Call Detail Record > Clusters > %(CDRclusterId)

NOC Reporting > VOIP > Cisco > IP Telephony Call Detail Record > Codec > By Cluster > %(CDRclusterId)

NOC Reporting > VOIP > Cisco > IP Telephony Call Detail Record > Codec > By Customer > %(CDRcustomerId)

NOC Reporting > VOIP > Cisco > IP Telephony Call Detail Record > Extensions > By Cluster > %(CDRclusterId)

NOC Reporting > VOIP > Cisco > IP Telephony Call Detail Record > Extensions > By Customer > %(CDRcustomerId)

NOC Reporting > VOIP > Cisco > IP Telephony Call Detail Record > Extensions > By Site > %(CDRsiteId)

Drills Down To

K-Factor Detail Chart

Drilled Down From

None.

Top 10 CDR Number of Calls

Description

Top 10 extensions, gateways, or paths based on total number of incoming or outgoing calls to PSTN.

Reporter Set

Extension

Tables and Charts

Tables: TopN (4 of 9 implemented)

Charts: TopN (4 of 9 implemented)

Metrics Used in Report

Incoming

TollBypassCall

Total Number of Calls (Nb) CME(Bulk) VOIP Cisco

Total Number of Outgoing External Calls (Nb)

Navigation Path

Navigation path on the DataView portal:

NOC Reporting > VOIP > Cisco > IP Telephony Call Detail Record > Extensions > By Cluster > %(clusterId)

NOC Reporting > VOIP > Cisco > IP Telephony Call Detail Record > Extensions > By Customer > %(customerId)

NOC Reporting > VOIP > Cisco > IP Telephony Call Detail Record > Extensions > By Site > %(siteId)

NOC Reporting > VOIP > Cisco > IP Telephony Call Detail Record > Media Gateways > By Cluster > %(clusterId)

NOC Reporting > VOIP > Cisco > IP Telephony Call Detail Record > Media Gateways > By Customer > %(customerId)

NOC Reporting > VOIP > Cisco > IP Telephony Call Detail Record > Media Gateways > By Site > %(siteId)

NOC Reporting > VOIP > Cisco > IP Telephony Call Detail Record > Paths > By Cluster > %(clusterId)

NOC Reporting > VOIP > Cisco > IP Telephony Call Detail Record > Paths > By Customer > %(customerId)

NOC Reporting > VOIP > Cisco > IP Telephony Call Detail Record > Extensions > By Cluster > %(CDRclusterId)

NOC Reporting > VOIP > Cisco > IP Telephony Call Detail Record > Extensions > By Customer > %(CDRcustomerId)

NOC Reporting > VOIP > Cisco > IP Telephony Call Detail Record > Extensions > By Site > %(CDRsiteId)

NOC Reporting > VOIP > Cisco > IP Telephony Call Detail Record > Media Gateways > By Cluster > %(CDRclusterId)

NOC Reporting > VOIP > Cisco > IP Telephony Call Detail Record > Media Gateways > By Customer > %(CDRcustomerId)

NOC Reporting > VOIP > Cisco > IP Telephony Call Detail Record > Media Gateways > By Site > %(CDRsiteId)

NOC Reporting > VOIP > Cisco > IP Telephony Call Detail Record > Paths > By Cluster > %(CDRclusterId)

NOC Reporting > VOIP > Cisco > IP Telephony Call Detail Record > Paths > By Customer > %(CDRcustomerId)

Drills Down To

[CDR Utilization Detail Chart](#)

Drilled Down From

None.

Top 10 CDR Number of Errors

Description

Top 10 extensions, gateways, or paths based on total number of errors.

Reporter Set

Extension

Tables and Charts

Tables: TopN (4 of 9 implemented)

Charts: TopN (4 of 9 implemented)

Metrics Used in Report

[Percentage of Drop Calls \(percent\) CME\(Bulk\) VOIP Cisco](#)

[Percentage of Packet Lost \(percent\) CME\(Bulk\) VOIP Cisco](#)

[Percentage of Successful Calls \(Nb\) CME\(Bulk\) VOIP Cisco](#)

[ShortCall](#)

Navigation Path

Navigation path on the DataView portal:

NOC Reporting > VOIP > Cisco > IP Telephony Call Detail Record > Extensions > By Cluster > %(clusterId)

NOC Reporting > VOIP > Cisco > IP Telephony Call Detail Record > Extensions > By Customer > %(customerId)

NOC Reporting > VOIP > Cisco > IP Telephony Call Detail Record > Extensions > By Site > %(siteId)

NOC Reporting > VOIP > Cisco > IP Telephony Call Detail Record > Media Gateways > By Cluster > %(clusterId)

NOC Reporting > VOIP > Cisco > IP Telephony Call Detail Record > Media Gateways > By Customer > %(customerId)

NOC Reporting > VOIP > Cisco > IP Telephony Call Detail Record > Media Gateways > By Site > %(siteId)

NOC Reporting > VOIP > Cisco > IP Telephony Call Detail Record > Paths > By Cluster > %(clusterId)

NOC Reporting > VOIP > Cisco > IP Telephony Call Detail Record > Paths > By Customer > %(customerId)

NOC Reporting > VOIP > Cisco > IP Telephony Call Detail Record > Extensions > By Cluster > %(CDRclusterId)

NOC Reporting > VOIP > Cisco > IP Telephony Call Detail Record > Extensions > By Customer > %(CDRcustomerId)

NOC Reporting > VOIP > Cisco > IP Telephony Call Detail Record > Extensions > By Site > %(CDRsiteId)

NOC Reporting > VOIP > Cisco > IP Telephony Call Detail Record > Media Gateways > By Cluster > %(CDRclusterId)

NOC Reporting > VOIP > Cisco > IP Telephony Call Detail Record > Media Gateways > By Customer > %(CDRcustomerId)

NOC Reporting > VOIP > Cisco > IP Telephony Call Detail Record > Media Gateways > By Site > %(CDRsiteId)

NOC Reporting > VOIP > Cisco > IP Telephony Call Detail Record > Paths > By Cluster > %(CDRclusterId)

NOC Reporting > VOIP > Cisco > IP Telephony Call Detail Record > Paths > By Customer > %(CDRcustomerId)

Drills Down To

[CDR Quality Detail Chart](#)

Drilled Down From

None.

Top 10 Cluster Call Completion

Description

Top 10 and bottom 10 clusters based on the percentage of successful calls.

Reporter Set

Cluster

Tables and Charts

Tables: TopN (4 of 9 implemented)

Charts: TopN (4 of 9 implemented)

Metrics Used in Report

[Cluster Percentage of Drop Calls \(percent\)](#)

[Cluster Percentage of Normal Call Clearing \(percent\)](#)

[Cluster Percentage of Successful Calls \(percent\)](#)

Navigation Path

Navigation path on the DataView portal:

NOC Reporting > VOIP > Cisco > IP Telephony Call Detail Record > Clusters

Drills Down To

[Cluster Quality Detail Chart](#)

Drilled Down From

None.

Top 10 Cluster Number of Calls

Description

Top 10 clusters based on number of incoming and outgoing calls.

Reporter Set

Cluster

Tables and Charts

Tables: TopN (5 of 9 implemented)

Charts: TopN (5 of 9 implemented)

Metrics Used in Report

[Cluster Total Number of Outgoing External Calls \(Nb\)](#)

[ClusterIncomingCall](#)

[ClusterOffNetCall](#)

[ClusterOnNetCall](#)

[ClusterTotalCall](#)

Navigation Path

Navigation path on the DataView portal:

NOC Reporting > VOIP > Cisco > IP Telephony Call Detail Record > Clusters

Drills Down To

[Cluster Utilization Detail Chart](#)

Drilled Down From

None.

Top 10 Cluster Number of Errors

Description

Top 10 cluster based on number of errors.

Reporter Set

Cluster

Tables and Charts

Tables: TopN (4 of 9 implemented)

Charts: TopN (4 of 9 implemented)

Metrics Used in Report

[Cluster Percentage of Drop Calls \(percent\)](#)

[Cluster Percentage of Packet Lost \(percent\)](#)

[Cluster Percentage of Successful Calls \(percent\)](#)

[ClusterShortCall](#)

Navigation Path

Navigation path on the DataView portal:

NOC Reporting > VOIP > Cisco > IP Telephony Call Detail Record > Clusters

Drills Down To

[Cluster Quality Detail Chart](#)

Drilled Down From

None.

Top 10 E1/T1 Utilization Resource

Description

Top 10 E1 or T1 interfaces based on bandwidth utilization percentage.

Reporter Set

Interface

Tables and Charts

Tables: TopN (5 of 9 implemented)

Charts: TopN (5 of 9 implemented)

Metrics Used in Report

[Interface Bandwidth Utilization In \(percent\)](#)

[Interface Bandwidth Utilization Out \(percent\)](#)

[Interface Throughput In \(kbps\)](#)

[Interface Throughput Out \(kbps\)](#)

[PSTN Gateway DS1 Active DS0 Channels \(Nb\)](#)

Navigation Path

Navigation path on the DataView portal:

NOC Reporting > VOIP > Cisco > Infrastructure > PSTN Gateway > Interface > All

NOC Reporting > VOIP > Cisco > Infrastructure > PSTN Gateway > Interface > By Gateway

Drills Down To

[PSTN Gateway E1/T1 Interface Utilization Resource](#)

[PSTN Gateway E1/T1 Interface Utilization Resource Detail Chart](#)

Drilled Down From

[Global VOIP](#)

NOTES

Chapter 3: Devices and Services

This chapter discusses the following topics:

Topic	Page
<i>Overview</i>	111
<i>Summary of Device Technology</i>	111
<i>Sources of Collected Data</i>	113
<i>Pre-Requisites</i>	116
<i>Supported MIBs</i>	117

Overview

This chapter provides a summary of Cisco IP Telephony device technology that the Cisco IP Telephony Technology Pack is designed to support.

Note: *This technology pack supports the Cisco CallManager (CCM) environment and its new implementation, the Cisco Unified Call Manager (CUCM) environment. Where this guide refers to Cisco CallManager or CCM, it also applies to Cisco Unified Call Manager (CUCM), unless an explicit distinction is made.*

Summary of Device Technology

The Netcool/Proviso Cisco IP Telephony Technology Pack collects and reports performance metrics in an Architecture for Voice, Video and Integrated Data (AVVID) environment where Cisco CallManager (CCM) IP-PBXs are deployed.

The technology pack manages the IP telephony application by focusing on an end-to-end voice path. It uses advanced data consolidation, with data coming from the end user (the phone extension itself), as well as data coming from network infrastructure devices.

Categories of Service Reporting

The technology pack provides the following categories of service reporting:

- **Voice Quality Management** — Latency, jitter, packet loss, network bandwidth, Class Based QoS, and element availability.
- **Call Signaling Management** — Call setup and termination metrics, based on data from Call Detail Records (CDRs).
- **Converged Network Infrastructure Management** — Network and system devices in charge of the Service and Voice Data Packets Delivery.

Services and Devices Monitored

The Netcool/Proviso Cisco IP Telephony Technology Pack creates automatic, on demand, historical, and real-time reports showing performance and trend analysis for the following services and devices:

- **Voice Quality** — Jitter, latency, packet drops, mean opinion score, per cluster, per location, per business department, and even for each extension number.
- **CallManager System & Application** — Server availability, performance, CPU load, memory, service availability, disk usage, and registered devices.
- **PSTN Gateway Devices** — Catalyst6500, Cisco AS5x00 series, Cisco 2600 & 3600 series, E1 & T1 Serial Links, DS0 Channel availability and utilization, DSP availability and utilization, capacity planning, bandwidth, errors. Also, total number of calls per gateway, total duration per gateway.
- **Gatekeeper Devices** — Number of successful / unsuccessful requests (routing, location, admission), registered endpoints, errors.
- **Telephony Usage** — Total number of calls, total duration of calls, total number of packets, per location, per business department, per extension number, top10 clusters (or sites, offices, extensions, departments). Number of outbound and inbound calls. Total accumulated hours of traffic per hour, day, week, month.
- **Call Completion** — Percentage of outgoing and incoming successful/unsuccessful calls, what are the main errors (phones, LAN, WAN, PSTN network, congestions, no resource available).
- **Call Distribution** — On-net vs. off-net ratio (number of IP routed calls vs. calls routed toward PSTN), number of internal (private extension to private extension) calls, local calls, long distance calls, international calls. Capability to provide statistics on number of calls to mobile networks (supported in some countries only).
- **Site to Site Path Analysis** — End-to-end measurement between customer offices. Voice quality, call distribution, call completion, IP telephony usage, TopN sites for errors, number of calls, duration and voice quality.

Sources of Collected Data

The Netcool/Proviso Cisco IP Telephony Technology Pack uses both SNMP and bulk data collection. The technology pack collects performance data from the following sources:

Source of Collected Data	Collection Type
PSTN gateway, media gateway	SNMP
Gatekeeper	SNMP
Cisco CallManager Server Each server in the cluster has an SNMP agent	SNMP
Call Detail Records (CDR) Accounting data	Bulk
Call Maintenance Records (CMR) Voice quality data	Bulk
Microsoft performance counter metrics (Perfmon)	Bulk

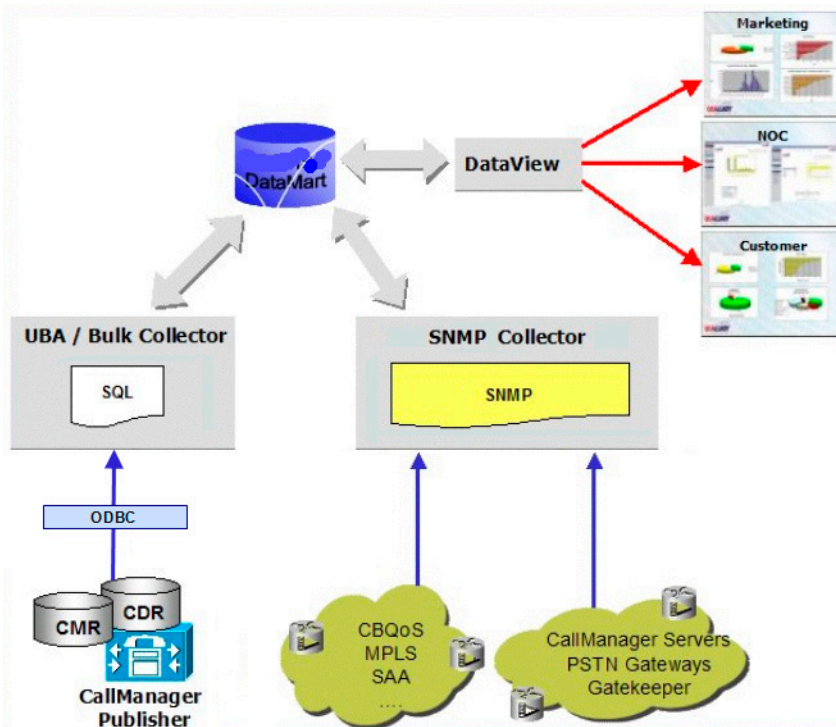
CDR and CMR data is collected in Cisco CallManager (CCM) environments and Cisco Unified Call Manager (CUCM) environments. The technology pack accesses CDR and CMR data differently in each environment.

The following sections provide an overview of how the technology pack accesses CDR and CMR data in these different environments. A basic understanding of the different access methods will help you when you configure the technology pack.

Collecting CDR and CMR Data with Cisco CallManager

With Cisco CallManager (CCM), the technology pack collects CDR and CMR data through SQL requests to the CallManager Publisher SQL database.

The following figure illustrates the technology pack's data collection architecture in a CCM environment:



Port for SQL Access

CallManager Publisher runs on an MS-SQL2000 server. To collect SQL data from the CallManager Publisher, an SQL bridge must be set up on the machine where Netcool/Proviso DataLoad resides. This bridge is provided as part of the Netcool/Proviso Cisco IP Telephony Technology Pack.

The connection between the Data Direct SQL server bridge and the MS-SQL2000 server is made through TCP port number 1433 or 1370, according to the Cisco CallManager Publisher configuration.



Troubleshooting Note for SQL Requests

If you have problems issuing SQL queries to the Cisco CallManager (CCM) Publisher, check the following:

- Ensure that `tempdb` has been set to an adequate size (at least 100Mb) in order to correctly receive the SQL result set, as recommended in the Cisco *CallManager Installation Guide*.
- Check the log file (`proviso.log` by default) for any SQL error messages. By default, the log file is in `$DC_HOME/log` — for example, `/opt/datachannel/log`.

- With pre-4.4.3 Netcool/Proviso versions, ensure that the `dc.cfg` file contains a URI for each CCM Publisher bulk adaptor, and that the URI matches the URI of the associated data source in the `odbc.ini` file.

Collecting CDR, CMR, and Perfmon Data with Cisco Unified Call Manager

With Cisco Unified CallManager (CUCM), the technology pack collects CDR, CMR, and Perfmon data files in either of the following ways:

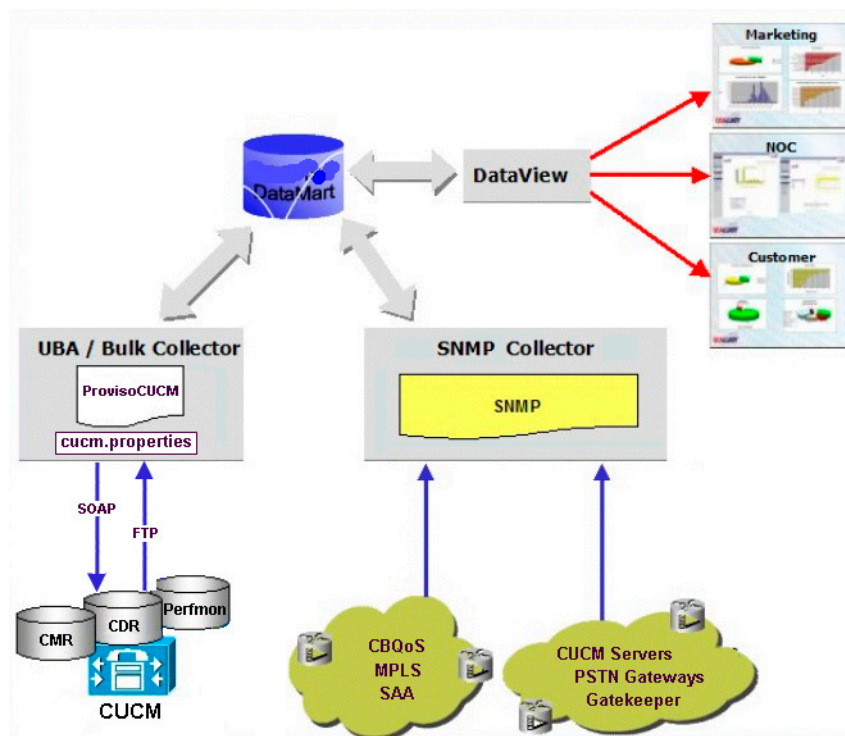
- Through SOAP requests to the CUCM server and PerfmonPorts API.
- Through a schedule for pushing the data files back to the DataChannel server. The schedule is specified by CUCM Web administration configuration settings.

In both cases, the CUCM pushes the data back to the technology pack via FTP.

The technology pack includes a Java application called ProvisoCUCM. This application is responsible for sending the SOAP requests to the CUCM, and for producing the CSV files for the UBA from the data files pushed back to the DataChannel server by the CUCM server.

The ProvisoCUCM finds the address of the CUCM server, authentication information, and other configuration details in the file `cucm.properties`. You install and edit this file when you configure the technology pack, as described in the section *Configure the Technology Pack* on page 440

The following figure illustrates the technology pack's data collection architecture in a CUCM environment:



Pre-Requisites

This section describes the pre-requisites for the Netcool/Proviso Cisco IP Telephony Technology Pack.

SNMP Access

The Netcool/Proviso Cisco IP Telephony Technology Pack needs read access to SNMP agents of PSTN gateway, gatekeeper, and CallManager Server devices. Customers must provide a valid IP address and community name to access these devices.

UDP Port number 161 needs to be open in the remote firewalls.

CallManager servers, as well as Unity servers and other Cisco media servers running under the Microsoft 2000 environment, can be configured with the following standard SNMP Extensions:

- HOST-MIB
- PERFMON-MIB (optional – perfmon counters)
- SQL-MIB (optional – SQL Server and Database metrics)
- EXCHANGE-MIB (optional – MS Exchange metrics)
- DHCP-MIB (optional – Dhcp server metrics)
- HTTP-MIB (optional – Http server metrics)

Cisco CallManager Configuration

To enable CDR and CMR collection from CCM and CUCM environments, some configuration parameters must be set using the CCM System Administrator. Configuration settings must be defined separately on every server in a cluster.

The following configuration service parameters control the generation of CDR records:

- **cdrEnabled** — Determines whether CDR records are generated. Default value: `false`.
- **CdrLogCallsWithZeroDurationFlag** — Enables logging of CDR records for calls that were never connected, or which lasted less than one second. This parameter must be enabled to allow data to be collected on short connections.
- **CallDiagnosticsEnabled** — Determines whether CMR records are generated. Only IP phones and MGCP gateways support CMR records. Default value: `false`.
- **MaxCdrRecords** — Controls the maximum number of CDRs on the system. When this limit is exceeded, the oldest CDRs are automatically removed once a day, along with the related CMR records. Default value: 1.5 million records.

The Netcool/Proviso Cisco IP Telephony Technology Pack never deletes records. IBM recommends retrieving CDRs every hour or every four hours. This polling interval permits the system administrator to decrease the maximum number of CDRs on the CallManager and to improve performance.

In addition, the following enterprise parameters must be set:

- **LocalCDRPath** — A directory for local CDR files written by Cisco CallManager. If this value is empty or invalid, the CDR files will not be moved.
- **PrimaryCDRUNCPath** — A central collection point for CDR files. If this value is empty or invalid, the CDR files will not be moved. The installation procedure sets this parameter.
- **CDRFormat** — A parameter that determines whether the files are written to the database. The value specifies either `FLAT` or `DB`. Default value: `DB`.

For performance reasons, the Netcool/Proviso Cisco IP Telephony Technology Pack collects CDRs using SQL requests, not flat files. Netcool/Proviso does not support `FLAT` for CDR collection.

- **PrimaryCDRDSN** — An optional parameter that references the primary CDR server on which to insert CDRs. The referenced system does not need Cisco CallManager installed, but does need SQL server and a CDR database.

This parameter allows movement of the CDRs off of the Cisco CallManager cluster. If this parameter is missing, CDRs are written locally to the `PrimaryCDRUNCPath`.

- **CDRFlatFileInterval** — A parameter that determines the amount of time, in minutes, that a CDR file can be written to before Cisco CallManager closes the CDR file and opens a new one.

Supported MIBs

This technology pack uses the following MIB files:

- `cisco-10-mib`
- `CISCO-CCM-MIB.my`
- `CISCO-CDP-MIB.my`
- `CISCO-DSP-MGMT-MIB.my`
- `CISCO-GATEKEEPER-MIB.my`
- `CISCO-POP-MGMT-MIB.my`
- `MSSQL-MIB.my`
- `rfc1213-MIB-II`
- `rfc1514-HOSTRESOURCES`
- `rfc1907-SNMPv2-MIB`
- `rfc2127-ISDN-MIB`
- `rfc2233-IF-MIB`

NOTES

Chapter 4: Element and Sub-Element Properties

This chapter discusses the following topics:

Topic	Page
<i>Overview</i>	119

Overview

***Note:** To see a list of the properties that this technology pack defines for each of the sub-element it creates, see the chapter on defined resources.*

A **Netcool/Proviso property** is an attribute or characteristic of an element or sub-element. Typically, a Netcool/Proviso Technology Pack uses an inventory process to collect information generated by the devices, interfaces, and services operating in the technology environment it supports.

A technology pack uses Netcool/Proviso properties for some or all of the following purposes:

- To organize information in reports
- To display values in reports
- To construct names such as sub-element names, sub-element instance names, and sub-element labels

The following pages describe the sub-element properties used in this technology pack.

AP_ifType

Description

Open-format name of the specific type of resource represented (for example, Ethernet and DS1).

Captured in Discovery Formulas

None.

Used in CME Formulas

None.

Used in Reports

None.

Used in Grouping Rules

NOC Reporting

Sub-Element Collect

CDRclusterId

Description

The cluster identifier. Used with bulk data.

Captured in Discovery Formulas

None.

Used in CME Formulas

None.

Used in Reports

None.

Used in Grouping Rules

NOC Reporting

CDRcustomerId

Description

The customer identifier. Used with bulk data.

Captured in Discovery Formulas

None.

Used in CME Formulas

None.

Used in Reports

None.

Used in Grouping Rules

NOC Reporting

CDRsiteId

Description

The site identifier. Used with bulk data.

Captured in Discovery Formulas

None.

Used in CME Formulas

None.

Used in Reports

None.

Used in Grouping Rules

NOC Reporting

cdrType

Description

The type of Call Detail Record (CDR) — for example, Extension, Gateway, Path. Used with bulk data.

Captured in Discovery Formulas

None.

Used in CME Formulas

None.

Used in Reports

[CDR Quality Detail Chart](#)

[CDR Utilization Resource](#)

[K-Factor Detail Chart](#)

Used in Grouping Rules

None.

clusterId

Description

This property has been replaced by `CDRclusterId`.

Captured in Discovery Formulas

None.

Used in CME Formulas

None.

Used in Reports

None.

Used in Grouping Rules

NOC Reporting

customerId

Description

This property has been replaced by `CDRcustomerId`.

Captured in Discovery Formulas

None.

Used in CME Formulas

None.

Used in Reports

None.

Used in Grouping Rules

NOC Reporting

Element.NAME

Description

The name of a Cisco IP element.

Captured in Discovery Formulas

None.

Used in CME Formulas

None.

Used in Reports

None.

Used in Grouping Rules

NOC Reporting

Element.STATE

Description

Indicates whether an element is active.

Captured in Discovery Formulas

None.

Used in CME Formulas

None.

Used in Reports

None.

Used in Grouping Rules

NOC Reporting

Sub-Element Collect

FAMILY

Description

Identifies a sub-element for reporting and sub-element grouping purposes.

Captured in Discovery Formulas

None.

Used in CME Formulas

None.

Used in Reports

None.

Used in Grouping Rules

NOC Reporting

Sub-Element Collect

NAME

Description

The path name of collected path sub-elements.

Captured in Discovery Formulas

None.

Used in CME Formulas

None.

Used in Reports

None.

Used in Grouping Rules

NOC Reporting

siteld

Description

This property has been replaced by `CDRsiteId`.

Captured in Discovery Formulas

None.

Used in CME Formulas

None.

Used in Reports

None.

Used in Grouping Rules

NOC Reporting

STATE

Description

Indicates whether the entry is active.

Captured in Discovery Formulas

None.

Used in CME Formulas

None.

Used in Reports

None.

Used in Grouping Rules

NOC Reporting

Sub-Element Collect

VoIPCallMgrClusterId

Description

The cluster ID. This value is based on the following MIB values:

- `ccmClusterId`, with CallManager devices.
- `sysLocation`, with PSTN Gateway devices.

Captured in Discovery Formulas

CCM Gateway Device

CCM Media Device

CCM Server Device

CCM Server FileSystem

CCM Server Interface

CCM Server Process

CCM Server SqlDatabase

PSTN Gateway Device

PSTN Gateway DSP Card

Used in CME Formulas

None.

Used in Reports

None.

Used in Grouping Rules

NOC Reporting

VoIPCallMgrCustomerId

Description

The customer ID. This value is based on the following MIB values:

- `sysName`, with PSTN Gateway E1/T1 interfaces and PSTN Gateway DSP.
- `cdpCacheVTPMgmtDomain`, with other PSTN Gateway devices.

Captured in Discovery Formulas

CCM Server Interface

PSTN Gateway Device

PSTN Gateway DSP Card

Used in CME Formulas

None.

Used in Reports

None.

Used in Grouping Rules

None.

VoIPCallMgrDSPMaxChannel

Description

The maximum number of channels allowed in each DSP. The value of this property is based on the MIB object `cdspCardMaxChanPerDSP`.

Captured in Discovery Formulas

PSTN_Gateway_DSP_Card

Used in CME Formulas

None.

Used in Reports

None.

Used in Grouping Rules

None.

VoIPCallMgrFileSystemName

Description

The file server name, based on the MIB value `hrStorageDescr`.

Captured in Discovery Formulas

CCM_Server_FileSystem

Used in CME Formulas

None.

Used in Reports

None.

Used in Grouping Rules

None.

VoIPCallMgrGatewayIpAddress

Description

The last known IP Address of the gateway. The value of this property is based on the MIB object `ccmGatewayInetAddress`.

Captured in Discovery Formulas

CCM_Gateway_Device

Used in CME Formulas

None.

Used in Reports

None.

Used in Grouping Rules

None.

VoIPCallMgrGatewayName

Description

The name that the CallManager assigns to the gateway.

Captured in Discovery Formulas

CCM_Gateway_Device

Used in CME Formulas

None.

Used in Reports

None.

Used in Grouping Rules

None.

VoIPCallMgrGatewayType

Description

The gateway type. This value is based on the MIB object `ccmGatewayType`.

Captured in Discovery Formulas

CCM_Gateway_Device

Used in CME Formulas

None.

Used in Reports

None.

Used in Grouping Rules

None.

VoIPCallMgrMediaDeviceIpAddress

Description

The media device IP address, based on the MIB value `ccmMediaDeviceInetAddress`.

Captured in Discovery Formulas

CCM_Media_Device

Used in CME Formulas

None.

Used in Reports

None.

Used in Grouping Rules

None.

VoIPCallMgrMediaDeviceName

Description

The media device name, based on the MIB value `ccmMediaDeviceDescription`.

Captured in Discovery Formulas

CCM_Media_Device

Used in CME Formulas

None.

Used in Reports

None.

Used in Grouping Rules

None.

VoIPCallMgrMediaDeviceType

Description

The media device type, based on the MIB value `ccmMediaDeviceType`.

Captured in Discovery Formulas

CCM_Media_Device

Used in CME Formulas

None.

Used in Reports

None.

Used in Grouping Rules

None.

VoIPCallMgrProcessName

Description

The CallManager Server process identifier, based on the MIB value `hrSWRunName`.

Captured in Discovery Formulas

CCM_Server_Process

Used in CME Formulas

None.

Used in Reports

None.

Used in Grouping Rules

None.

VoIPCallMgrSerialOrDsp

Description

Indicates a voice device.

Captured in Discovery Formulas

None.

Used in CME Formulas

None.

Used in Reports

None.

Used in Grouping Rules

NOC Reporting

Sub-Element Collect

VoIPCallMgrServerDescr

Description

The CallManager Server description, based on the MIB value `ccmDescription`.

Captured in Discovery Formulas

CCM_Server_Device

Used in CME Formulas

None.

Used in Reports

None.

Used in Grouping Rules

None.

VoIPCallMgrServerId

Description

The CallManager Server ID. This value is based on the following MIB values:

- `cdpGlobalDeviceId`, with CallManager Server devices.
- `cdpCacheDeviceId`, with Win2000 server PSTN Gateway devices that are registered to the CallManager Server.

Captured in Discovery Formulas

CCM_Server_Device

Used in CME Formulas

None.

Used in Reports

None.

Used in Grouping Rules

None.

VoIPCallMgrServerVersion

Description

The CallManager Server version, based on the MIB value `ccmVersion`.

Captured in Discovery Formulas

CCM_Server_Device

Used in CME Formulas

None.

Used in Reports

None.

Used in Grouping Rules

None.

VoIPCallMgrSqlDbName

Description

The CallManager Server SQL database name, based on the MIB value `mssqlDbInfoDbName`.

Captured in Discovery Formulas

CCM_Server_SqlDatabase

Used in CME Formulas

None.

Used in Reports

None.

Used in Grouping Rules

None.

VoIPDeviceType

Description

One of the following Cisco IP Telephony devices:

- CallManagerServer
- CiscoGatekeeper
- PSTNGatewayCisco3745
- PSTNGatewayCiscoAS5300
- PSTNGatewayCiscoOtherISDN
- PSTNGatewayCiscoCat6k

Captured in Discovery Formulas

CCM_Server_Device

Gatekeeper_Device

PSTN_Gateway_Device

Used in CME Formulas

None.

Used in Reports

None.

Used in Grouping Rules

NOC Reporting

Sub-Element Collect

NOTES

Chapter 5: Defined Resources

This chapter discusses the following topics:

Topic	Page
<i>Overview</i>	151
<i>Cisco IP Telephony Technology Pack Resources</i>	151
<i>Sub-Element Types</i>	153

Overview

A **Netcool/Proviso resource** is a network element or sub-element, such as a router or a hub. Typically, an IBM Technology Pack defines a set of Netcool/Proviso elements, sub-elements, and properties that map to specific devices and services operating in a network. These resources allow IBM support engineers to:

- Configure (using the Netcool/Proviso DataMart Request Editor) data collection requests for the sub-elements associated with each Technology Pack
- View (using the Netcool/Proviso DataMart Resource Editor) sub-elements and sub-element groups associated with each Technology Pack

Cisco IP Telephony Technology Pack Resources

The Cisco IP Telephony Technology Pack provides the following Netcool/Proviso resources for the devices, services, and interfaces that the Cisco IP Telephony device manages:

Resource	Description
Element	<p>The name that identifies the Cisco IP Telephony technology being monitored. With SNMP collection, this name is typically the IP address where the associated SNMP Agent is running. With bulk collection of CDR and CMR data, the name is typically the CallManager cluster name.</p> <p>Example: <code>hqccm.canalst.dev.mycorp.com</code> Example: <code>SFCLSTR</code></p> <p>In the Netcool/Proviso DataMart Resource Editor, element names appear in the name column on the Element tab.</p>

Resource	Description
Sub-elements	<p>An element has one or more sub-elements for statistics that apply to the Cisco IP Telephony technology. The sub-element name identifies a sub-element that resides in the database. Sub-element names are often used in reports to identify specific entities.</p> <p>With SNMP collection, the sub-element name is constructed from the element name plus the instance name. With bulk collection, the sub-element name is the same as the instance name.</p> <p>Example: <code>hqccm.canalst.dev.mycorp.com_SqlDb<5></code> Example: <code>Extension_SFCLSTR_<2928></code></p> <p>With SNMP collection, a sub-element instance name is constructed from a shorthand name for the sub-element type plus an identifier. With Bulk collection, a sub-element instance name is constructed from a name for the sub-element type, the element name, plus an identifier.</p> <p>Example: <code>SqlDb<5></code> Example: <code>Extension_SFCLSTR_<2928></code></p> <p>In the Netcool/Proviso DataMart Resource Editor, sub-element names appear in the name column on the Sub-Element tab. The instance name appears in the instance column of the Sub-Element tab.</p>
Sub-element labels	<p>A sub-element label is often used in reports to identify a particular instance of a sub-element. With SNMP collection, a sub-element label is constructed from a shorthand name for the sub-element type plus a filename. With Bulk collection, a sub-element label is the same as the sub-element name.</p> <p>Example: <code>SqlDatabase: "pubs"</code> Example: <code>Extension_SFCLSTR_<2928></code></p> <p>In the Netcool/Proviso DataMart Resource Editor, sub-element labels appear in the label column on the Sub-Element tab.</p>
Sub-element families	<p>This technology pack categorizes the sub-elements it creates into the following families:</p> <ul style="list-style-type: none"> • 1213_Device • IETF_IF • VOIP_Cisco_CCM_Gateway_Device • VOIP_Cisco_CCM_Media_Device • VOIP_Cisco_CCM_Server_FileSystem • VOIP_Cisco_CCM_Server_Process • VOIP_Cisco_CCM_Server_SqlDatabase • VOIP_Cisco_CDR_Cluster • VOIP_Cisco_CDR_Codec • VOIP_Cisco_CDR_Extension • VOIP_Cisco_CDR_Gateway • VOIP_Cisco_CDR_Path • VOIP_Cisco_CCM_Server_PERFMON • VOIP_Cisco_PSTN_Gateway_DSP_Card <p>In the Netcool/Proviso DataMart Resource Editor, family names appear in the fam column on the Sub-Element tab.</p>

Sub-Element Types

The Cisco IP Telephony Technology Pack creates the following kinds of sub-elements:

- *CallManager Gateway Device*
- *CallManager Media Device*
- *CallManager Server Device*
- *CallManager Server File System*
- *CallManager Server Interface*
- *CallManager Server Process*
- *CallManager Server SQL Database*
- *Cluster*
- *Codec*
- *Extension*
- *Gatekeeper Device*
- *Gateway*
- *Path*
- *Perfmon*
- *PSTN Gateway Device*
- *PSTN Gateway DSP Card*

Tables of Sub-Element Types

The tables in this section describe the kinds of Cisco IP Telephony sub-elements that this technology pack manages. Note the following about the tables:

- The Naming Structure row defines how sub-element names, sub-element labels, and sub-element instance names are constructed. The following typeface conventions are used:
 - MIB object names are presented in bold type (for example, **cdspCardIndex**).
 - Cisco IP Telephony Technology Pack property names are presented in monospace type (for example, `DSPCard`)
 - References to element names, instance names, and other variables are presented in italic type (for example, *ElementName_<InstanceName>*).
- The Properties row lists the Cisco IP Telephony Technology Pack properties associated with the particular sub-element type. For descriptions of the properties, see the chapter on element and sub-element properties.

CallManager Gateway Device

Collection Type	SNMP
Family	VOIP_Cisco_CCM_Gateway_Device
Naming Structure	Sub-element name: <i>ElementName_<InstanceName></i> Instance name: Gateway<Gateway> Label: Gateway: <ccmGatewayInetAddress>
Properties	Gateway VoIPCallMgrClusterId VoIPCallMgrGatewayIpAddress VoIPCallMgrGatewayName VoIPCallMgrGatewayType
Comments	This sub-element is a gateway device discovered through the ccmGatewayTable object in the CISCO-CCM-MIB. This object is grouped together with PSTN_Gateway_Device sub-elements. This sub-element provides information about the registration status for each gateway. Because a gateway can be registered to another server, ClusterId_GatewayDescription is used as invariant for this sub-element.

CallManager Media Device

Collection Type	SNMP
Family	VOIP_Cisco_CCM_Media_Device
Naming Structure	Sub-element name: <i>ElementName_<InstanceName></i> Instance name: MediaDevice<MediaDevice> Label: MediaDevice: ccmMediaDeviceName
Properties	MediaDevice VoIPCallMgrClusterId VoIPCallMgrMediaDeviceIpAddress VoIPCallMgrMediaDeviceName VoIPCallMgrMediaDeviceType
Comments	This sub-element is a media device discovered through the ccmMediaDeviceTable object in the CISCO-CCM-MIB. Because a gateway can be registered to another server, ClusterId_MediaDeviceIpAddress is used as invariant for this sub-element. Media devices such as music on hold and conference bridge are media server sub-elements. Information about their registration status comes from the CCM Server SNMP Agent.

CallManager Server Device

Collection Type	SNMP
Family	1213_Device
Naming Structure	Sub-element name: <i>ElementName_<InstanceName></i> Instance name: If< ifAdminStatus > Label: -UNSPECIFIED
Properties	VoIPCallMgrClusterId VoIPCallMgrDeviceType VoIPCallMgrServerDescr VoIPCallMgrServerId VoIPCallMgrServerVersion
Comments	Each CallManager Server is part of one cluster.

CallManager Server File System

Collection Type	SNMP
Family	VOIP_Cisco_CCM_Server_FileSystem
Naming Structure	Sub-element name: <i>ElementName_<InstanceName></i> Instance name: FileSys< hrStorageIndex > Label: File System: VoIPCallMgrFileSystemName
Properties	FileSys VoIPCallMgrClusterId VoIPCallMgrFileSystemName
Comments	None.

CallManager Server Interface

Collection Type	SNMP
Family	IETF_IF
Naming Structure	Sub-element name: <i>ElementName_<InstanceName></i> Instance name: If< ifAdminStatus > Label: -UNSPECIFIED
Properties	If VoIPCallMgrClusterId VoIPCallMgrCustomerId
Comments	None.

CallManager Server Process

Collection Type	SNMP
Family	VOIP_Cisco_CCM_Server_Process
Naming Structure	Sub-element name: <i>ElementName_<InstanceName></i> Instance name: Process<Process> Label: Process<hrSWRunName>
Properties	Process VoIPCallMgrClusterId VoIPCallMgrProcessName
Comments	None.

CallManager Server SQL Database

Collection Type	SNMP
Family	VOIP_Cisco_CCM_Server_SqlDatabase
Naming Structure	Sub-element name: <i>ElementName_<InstanceName></i> Instance name: SqlDb<SqlDb> Label: SqlDatabase: <mssqlDbInfoDbName>
Properties	SqlDb VoIPCallMgrClusterId VoIPCallMgrSqlDbName
Comments	None.

Cluster

Collection Type	Bulk
Family	VOIP_Cisco_CDR_Cluster
Naming Structure	Sub-element name: <i>ElementName_<NULL></i> Instance name: <i>ElementName_<NULL></i> Label: <i>ElementName_<NULL></i>
Properties	CDRclusterId CDRcustomerId
Comments	Each CallManager cluster is both an element and a sub-element. The element name is defined in the design file CCMA adaptor.js. The sub-element name is similar to clusterId_NULL (where clusterId is the cluster's element name.)

Codec

Collection Type	Bulk
Family	VOIP_Cisco_CDR_Codec
Naming Structure	Sub-element name: <i>ElementName_Codec_CodecType</i> Instance name: <i>ElementName_Codec_CodecType</i> Label: <i>ElementName_Codec_CodecType</i>
Properties	CDRclusterId CDRcustomerId
Comments	None.

Extension

Collection Type	Bulk
Family	VOIP_Cisco_CDR_Extension
Naming Structure	Sub-element name: <i>Extension_ElementName_<extensionNumber></i> Instance name: <i>Extension_ElementName_<extensionNumber></i> Label: <i>Extension_ElementName_<extensionNumber></i>
Properties	cdrType CDRclusterId CDRcustomerId CDRsiteId

Extension (cont.)

Comments	<p>This sub-element is the extension number for a phone or a CTI application. An extension can be any internal phone number managed by the CallManager's DialPlan, according to its configuration. Supported extensions include:</p> <ul style="list-style-type: none"> • Cisco IP Phone (79xx series) registered to the CallManager cluster. • Analog Phone connected to a voice gateway (for example, ATA186 or Cisco VG200 Series) and registered to the CallManager cluster. • Legacy phone connected to a legacy PBX. It is not registered to the CallManager cluster, but has an extension number defined within the company's internal DialPlan. A record can be stored by the CallManager each time an internal legacy phone makes a call with an IP phone. • VoiceMail application, which is defined in the CallManager as a special range of extension numbers. • Front desk operator. • Hunt Group — a group of people in the company with the same extension number. • Conference bridge. • Any other CTI Application (IVR, AutoAttendant). <p>External PSTN numbers and unknown numbers that are not defined in the internal DialPlan of the CallManager configuration are not managed by Netcool/Proviso through a specific sub-element. However, each time a record is found in the CDR database with an external or unknown number, metrics for either of the following specific sub-elements are created or updated:</p> <ul style="list-style-type: none"> • ExternalNumber • UnknownExtension
-----------------	--

Gatekeeper Device

Collection Type	SNMP
Family	1213_Device
Naming Structure	<p>Sub-element name: <i>ElementName_<InstanceName></i></p> <p>Instance name: <NULL></p> <p>Label: -UNSPECIFIED</p>
Properties	VoIPDeviceType
Comments	Optional H.323 component. A gatekeeper can be registered to several clusters. A gatekeeper can be a Cisco 2600 or 3600 Series.

Gateway

Collection Type	Bulk
Family	VOIP_Cisco_CDR_Gateway
Naming Structure	Sub-element name: <i>Gateway_ElementName_<gatewayIpAddress></i> Instance name: <i>Gateway_ElementName_<gatewayIpAddress></i> Label: <i>Gateway_ElementName_<gatewayIpAddress></i>
Properties	cdrType CDRclusterId CDRcustomerId CDRsiteId
Comments	<p>IP telephony sub-elements can be grouped according to family name and properties:</p> <ul style="list-style-type: none"> • Per customer: A customer can have one or several clusters deployed in a network. • Per cluster: A cluster is the IP-PBX itself. • Per site: Physical location where gateways and extensions are deployed. <p>The gateway IP address appears in a CDR each time a call goes through it. Gateways can then be managed as a sub-element from the call-accounting point of view. This sub-element is attached to the cluster element, not to the SNMP PSTN gateway element. A gateway can be a PSTN gateway or a legacy PBX gateway, which is useful to connect a legacy PBX to the IP network.</p>

Path

Collection Type	Bulk
Family	VOIP_Cisco_CDR_Path
Naming Structure	Sub-element name: <i>Path_ElementName_<caller_callee></i> Instance name: <i>Path_ElementName_<caller_callee></i> Label: <i>Path_ElementName_<caller_callee></i>
Properties	cdrType CDRclusterId CDRcustomerId
Comments	<p>A path sub-element contains information about the calling site and information about the callee site. Both ends of a call are from different sites.</p> <p>A path can be an internal call between 2 IP phones from different sites, or between an internal IP phone and a PSTN gateway, or between an internal IP phone and a legacy PBX gateway — for example:</p> <ul style="list-style-type: none"> • Internal extension from SiteA to internal extension from SiteB (SiteA_SiteB) • Internal extension from SiteB to internal extension from SiteA (SiteB_SiteA) • Internal extension from SiteA to PSTN Gateway from SiteB (SiteA_GatewayIPAddress) • PSTN Gateway from SiteB to internal extension from SiteA (GatewayIPAddress_SiteA)

Perfmon

Collection Type	Bulk
Family	VOIP_Cisco_CCM_Server_PERFMON
Naming Structure	Sub-element name: CallManager_<subelement> Instance name: <subelement> Label: CallManager_<subelement>
Properties	CDRclusterId CDRsiteId
Comments	None.

PSTN Gateway Device

Collection Type	SNMP
Family	1213_Device
Naming Structure	Sub-element name: <i>ElementName_<InstanceName></i> Instance name: <NULL> Label: -UNSPECIFIED Or... *WS6608: cdpCacheDeviceID (for Catalyst 6500 with MSFC WAN module)
Properties	VoIPCallMgrClusterId VoIPCallMgrCustomerId VoIPCallMgrDeviceType
Comments	<p>This technology pack can collect data from gateways installed at the customer site or within the service provider core network.</p> <p>This sub-element supports the following types of PSTN gateways:</p> <ul style="list-style-type: none"> • PSTNGatewayCisco3745: Any 3700 series device supporting POP-MIB, DSP-MIB, ISDN-MIB, and DIAL-CONTROL-MIB. • PSTNGatewayCiscoAS5300: Any AS5x00 series device supporting POP-MIB and DSP-MIB. • PSTNGatewayCiscoOtherISDN: Any 2600, 3600, 1700 series device supporting only ISDN-MIB. • PSTNGatewayCiscoCat6k: Any Catalyst6500 with MSFC Wan module with T1/E1 PRI interfaces for PSTN connectivity, supporting only MIB2 for those PSTN interfaces. <p>A PSTN gateway is registered to a CCM server, not to the cluster itself. PSTN gateways can be registered to one or more clusters. You cannot get any CDRclusterId attributes based on available SNMP information.</p> <p>To get information about D Channel status and gateway registration status with CallManager, additional Media Gateway data are also collected through the CCM Server SNMP Agent. In this case, this technology pack creates a separate sub-element per entry in the ccmGatewayTable.</p>

PSTN Gateway DSP Card

Collection Type	SNMP
Family	VOIP_Cisco_PSTN_Gateway_DSP_Card (for cards discovered through CISCO_DSP-MGMT-MIB) Or... IETF_IF (for Catalyst 6500 DSP resources)
Naming Structure	Sub-element name: <i>ElementName_<InstanceName></i> Instance name: DSPCard<DSPCard> Label: DSPCard: <cdspCardIndex>
Properties	DSPCard VoIPCallMgrClusterId VoIPCallMgrCustomerId VoIPCallMgrDSPMaxChannel
Comments	None.

NOTES

Chapter 6: Sub-Element Grouping Rules

This chapter discusses the following topics:

Topic	Page
<i>Overview</i>	163
<i>NOC Grouping</i>	164
<i>Sub-Element Collect Grouping</i>	171

Overview

Typically, a Netcool/Proviso Technology Pack defines sub-element grouping rules. Grouping rules organize and filter networking data into a structure that makes it easier to collect data on thousands or millions of resources.

Sub-element grouping rules organize data in tree structures. Each folder (branch) in the tree is associated with a rule or condition. If a sub-element property satisfies the rule or condition associated with a folder in the grouping tree, the sub-element is placed in the folder. The sub-element is then tested against the rule or condition in the next folder below. If the sub-element passes that test, it is tested against the rule or condition in the next folder, and so on.

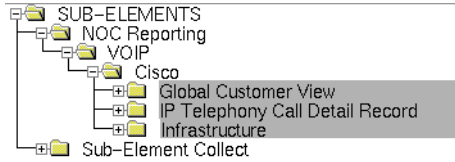
The Cisco IP Telephony Technology Pack uses some of its Netcool/Proviso properties to define sub-element grouping rules. Grouping rule names appear in the **Name** field (**Rule Sub-Element** view) of the Netcool/Proviso DataMart Rule Editor. For information on how to use the Netcool/Proviso DataMart Rule Editor, see the *Netcool/Proviso DataMart Configuration Guide*.

The Rule Editor contains two grouping rule trees — the NOC reporting tree and the sub-element collect tree. The following sections describe the filtering rules and conditions in these trees.

NOC Grouping

The NOC reporting tree provides the framework that allows users to navigate to reports.

The NOC reporting tree for this technology pack contains the following high-level branches. The tree is shown as it appears in the DataMart Rule Editor:



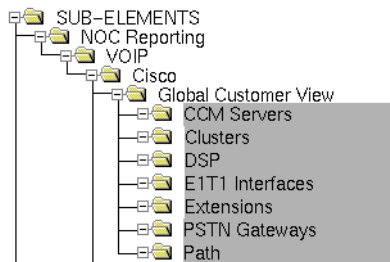
These high-level branches are used to organize the sub-branches of the tree. The following sections describe how sub-elements are grouped within these high-level branches.

Note: In the *IP Telephony Call Detail Record* and *Infrastructure* branches, some properties have been replaced. Those properties and the replacement properties are as follows:

- * **clusterId** is replaced by **CDRclusterId**
- * **customerId** is replaced by **CDRcustomerId**
- * **siteId** is replaced by **CDRsiteId**

Global Customer View Branch

The Global Customer View branch of the Cisco IP Telephony NOC reporting tree contains the sub-branches shown below:



This branch has no rules or conditions. All sub-elements are tested against the conditions in its sub-branches.

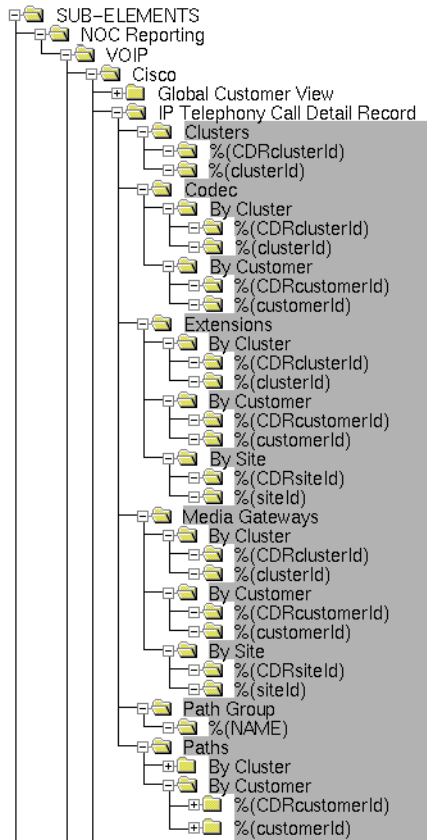
The sub-branches are described as follows:

Global Customer View Branch (No Rules or Conditions)

Sub-branch Name	Description
CCM Servers	Type: Static. Purpose: Filters by condition: %(FAMILY) LIKE 'VOIP_Cisco_CCM%' OR %(VoIPDeviceType) = 'CallManagerServer'
Clusters	Type: Static. Purpose: Filters by condition: %(FAMILY) = 'VOIP_Cisco_CDR_Cluster'
DSP	Type: Static. Purpose: Filters by condition: %(FAMILY) LIKE 'VOIP_Cisco_PSTN_Gateway_DS%' OR %(VoIPCallMgrSerialOrDsp) LIKE 'voice%'
E1T1 Interfaces	Type: Static. Purpose: Filters by condition: %(AP_ifType) = 'dsl' AND %(VoIPCallMgrSerialOrDsp) NOT LIKE 'voice%'
Extensions	Type: Static. Purpose: Filters by condition: %(FAMILY) = 'VOIP_Cisco_CDR_Extension'
PSTN Gateways	Type: Static. Purpose: Filters by condition: %(VoIPDeviceType) LIKE 'PSTNGatewayCisco%' OR %(FAMILY) = 'VOIP_Cisco_CDR_Gateway'
Path	Type: Static. Purpose: Filters by condition: %(FAMILY) = 'VOIP_Cisco_CDR_Path'

IP Telephony Call Detail Record Branch

The IP Telephony Call Detail Record branch of the Cisco IP Telephony NOC reporting tree contains the sub-branches shown below:



This branch has the following condition:

```
%(FAMILY) LIKE 'VOIP_Cisco_CDR_%'
```

Sub-elements that match this condition are tested against the rules and conditions in the sub-branches. The sub-branches are described as follows:

IP Telephony Call Detail Record Branch — %(FAMILY) LIKE 'VOIP_Cisco_CDR_%'

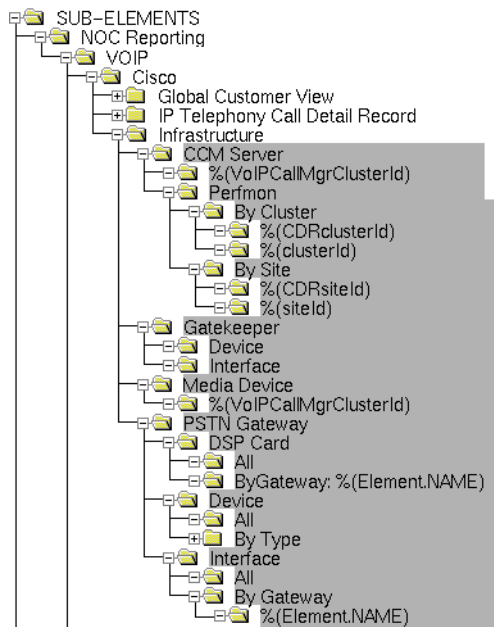
Sub-branch Name	Description
Clusters	Type: Static. Purpose: Filters by condition: %(FAMILY) = 'VOIP_Cisco_CDR_Cluster'
Clusters --%(CDRclusterId)	Type: Rule. Purpose: Groups the collected cluster sub-elements by cluster ID.
Codec	Type: Static. Purpose: Filters by condition: %(FAMILY) = 'VOIP_Cisco_CDR_Codec'
Codec --By Cluster	Type: Static. Purpose: Filters by condition: %(FAMILY) = 'VOIP_Cisco_CDR_Codec'
Codec --By Cluster ----%(CDRclusterId)	Type: Rule. Purpose: Groups the collected codec sub-elements by cluster ID.
Codec --By Customer	Type: Static. Purpose: Filters by condition: %(FAMILY) = 'VOIP_Cisco_CDR_Codec'
Codec --By Customer ----%(CDRcustomerId)	Type: Rule. Purpose: Groups the collected codec sub-elements by customer ID.
Extensions	Type: Static. Purpose: Filters by condition: %(FAMILY) = 'VOIP_Cisco_CDR_Extension'
Extensions --By Cluster	Type: Static. Purpose: Filters by condition: %(FAMILY) = 'VOIP_Cisco_CDR_Extension'
Extensions --By Cluster ----%(CDRclusterId)	Type: Rule. Purpose: Groups the collected extension sub-elements by cluster ID.
Extensions --By Customer	Type: Static. Purpose: Filters by condition: %(FAMILY) = 'VOIP_Cisco_CDR_Extension'
Extensions --By Customer ----%(CDRcustomerId)	Type: Rule. Purpose: Groups the collected extension sub-elements by customer ID.
Extensions --By Site	Type: Static. Purpose: Filters by condition: %(FAMILY) = 'VOIP_Cisco_CDR_Extension'
Extensions --By Customer ----%(CDRsiteId)	Type: Rule. Purpose: Groups the collected extension sub-elements by site ID.

IP Telephony Call Detail Record Branch — %(FAMILY) LIKE 'VOIP_Cisco_CDR_%' (cont.)

Sub-branch Name	Description
Media Gateways	Type: Static. Purpose: Filters by condition: %(FAMILY) = 'VOIP_Cisco_CDR_Gateway'
Media Gateways --By Cluster	Type: Static. Purpose: Filters by condition: %(FAMILY) = 'VOIP_Cisco_CDR_Gateway'
Media Gateways --By Cluster ----%(CDRclusterId)	Type: Rule. Purpose: Groups the collected media gateway sub-elements by cluster ID.
Media Gateways --By Customer	Type: Static. Purpose: Filters by condition: %(FAMILY) = 'VOIP_Cisco_CDR_Gateway'
Media Gateways --By Customer ----%(CDRcustomerId)	Type: Rule. Purpose: Groups the collected media gateway sub-elements by customer ID.
Media Gateways --By Site	Type: Static. Purpose: Filters by condition: %(FAMILY) = 'VOIP_Cisco_CDR_Gateway'
Media Gateways --By Customer ----%(CDRsiteId)	Type: Rule. Purpose: Groups the collected media gateway sub-elements by site ID.
Path Group	Type: Static. Purpose: Filters by condition: %(FAMILY) = 'VOIP_Cisco_CDR_Path'
Path Group --%(NAME)	Type: Rule. Purpose: Groups the collected path group sub-elements by path name.
Paths	Type: Static. Purpose: Filters by condition: %(FAMILY) = 'VOIP_Cisco_CDR_Path'
Paths --By Cluster	Type: Static. Purpose: Filters by condition: %(FAMILY) = 'VOIP_Cisco_CDR_Path'
Paths --By Cluster ----%(CDRclusterId)	Type: Rule. Purpose: Groups the collected path sub-elements by cluster ID.
Paths --By Customer	Type: Static. Purpose: Filters by condition: %(FAMILY) = 'VOIP_Cisco_CDR_Path'
Paths --By Customer ----%(CDRcustomerId)	Type: Rule. Purpose: Groups the collected path sub-elements by customer ID.

Infrastructure Branch

The Infrastructure branch of the Cisco IP Telephony NOC reporting tree contains the sub-branches shown below:



This branch has no rules or conditions. All sub-elements are tested against the rules and conditions in its sub-branches.

The sub-branches are described as follows:

Infrastructure Branch (No Rules or Conditions)

Sub-branch Name	Description
CCM Server	Type: Static. Purpose: Filters by condition: <code>%(FAMILY) LIKE 'VOIP_Cisco_CCM_Server%' OR</code> <code>%(VoIPDeviceType) = 'CallManagerServer'</code>
CCM Server --%VoIPCallMgrClusterId	Type: Rule. Purpose: Groups the collected CCM Server sub-elements by CCM cluster ID.
Perfmon	Type: Static. Purpose: Filters by condition: <code>%(VoIPDeviceType) = 'CUCM_Perfmon'</code>
Perfmon --By Cluster	Type: Static. Purpose: Filters by condition: <code>%(FAMILY) = 'VOIP_Cisco_CCM_Server_PERFMON'</code>
Perfmon --By Cluster ----%(CDRclusterID)	Type: Rule. Purpose: Groups the collected Perfmon sub-elements by CCM cluster ID.
Perfmon --By Site	Type: Static. Purpose: Filters by condition: <code>%(FAMILY) = 'VOIP_Cisco_CCM_Server_PERFMON'</code>

Infrastructure Branch (No Rules or Conditions) (cont.)

Sub-branch Name	Description
Perfmon --By Site ----%(CDRsiteID)	Type: Rule. Purpose: Groups the collected Perfmon sub-elements by CCM site ID.
Gatekeeper	Type: Static. Purpose: Filters by condition: %(VoIPDeviceType) = 'CiscoGatekeeper'
Gatekeeper --Device	Type: Static. Purpose: Filters by condition: %(VoIPDeviceType) = 'CiscoGatekeeper'
Gatekeeper --Interface	Type: Static. Purpose: Filters by condition: %(AP_ifType) = 'dsl' AND %(VoIPCallMgrSerialOrDsp) NOT LIKE 'voice%'
Media Device	Type: Static. Purpose: Filters by condition: %(FAMILY) = 'VOIP_Cisco_CCM_Media_Device'
Media Device --%VoIPCallMgrClusterId	Type: Rule. Purpose: Groups the collected media device sub-elements by CCM cluster ID.
PSTN Gateway	Type: Static. Purpose: Organizational only. No rules or conditions.
PSTN Gateway --DSP Card	Type: Static. Purpose: Filters by condition: %(FAMILY) LIKE 'VOIP_Cisco_PSTN_Gateway_DS%' OR %(VoIPCallMgrSerialOrDsp) LIKE 'voice%'
PSTN Gateway --DSP Card ----All	Type: Static. Purpose: Filters by condition: %(FAMILY) LIKE 'VOIP_Cisco_PSTN_Gateway_DS%' OR %(VoIPCallMgrSerialOrDsp) LIKE 'voice%'
PSTN Gateway --DSP Card ----ByGateway: %Element.NAME)	Type: Rule. Purpose: Groups the collected PSTN gateway DSP card sub-elements by name.
PSTN Gateway --Device	Type: Static. Purpose: Filters by condition: %(VoIPDeviceType) LIKE 'PSTNGatewayCisco%'
PSTN Gateway --Device ----All	Type: Static. Purpose: Filters by condition: %(VoIPDeviceType) LIKE 'PSTNGatewayCisco%'
PSTN Gateway --Device ----By Type	Type: Static. Purpose: Filters by condition: %(VoIPDeviceType) LIKE 'PSTNGatewayCisco%'
PSTN Gateway --Device ----By Type -----%(VoIPDeviceType)	Type: Rule. Purpose: Groups the collected PSTN gateway device sub-elements by device type.

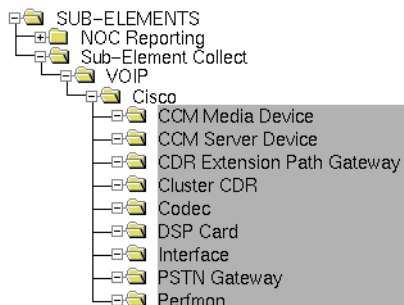
Infrastructure Branch (No Rules or Conditions) (cont.)

Sub-branch Name	Description
Interface	Type: Static. Purpose: Filters by condition: (%(AP_ifType) = 'ds1' AND %(VoIPCallMgrSerialOrDsp) NOT LIKE 'voice%')
Interface --All	Type: Static. Purpose: Filters by condition: %(AP_ifType) = 'ds1' AND %(VoIPCallMgrSerialOrDsp) NOT LIKE 'voice%'
Interface --By Gateway	Type: Static. Purpose: Filters by condition: %(AP_ifType) = 'ds1' AND %(VoIPCallMgrSerialOrDsp) NOT LIKE 'voice%'
Interface --By Gateway ----%(ElementNAME)	Type: Rule. Purpose: Groups the collected PSTN gateway interface sub-elements by name.

Sub-Element Collect Grouping

The sub-element collection tree organizes the requests that collect metrics from sub-elements.

The following illustration is a portion of the Sub-Element Collect tree as it appears in the DataMart Rule Editor. The shaded branches represent the Cisco IP Telephony portion of the tree:



The branches are described as follows:

Sub-branch Name	Description
CCM Media Device	Type: Static. Purpose: Filters by condition: %(FAMILY) = 'VOIP_Cisco_CCM_Media_Device'
CCM Server Device	Type: Static. Purpose: Filters by condition: %(VoIPDeviceType) = 'CallManagerServer'
CDR Extension Path Gateway	Type: Static. Purpose: Filters by condition: %(FAMILY) = 'VOIP_Cisco_CDR_Extension' OR %(FAMILY) = 'VOIP_Cisco_CDR_Path' OR %(FAMILY) = 'VOIP_Cisco_CDR_Gateway'
Cluster CDR	Type: Static. Purpose: Filters by condition: %(FAMILY) = 'VOIP_Cisco_CDR_Cluster'
Codec	Type: Static. Purpose: Filters by condition: %(FAMILY) = 'VOIP_Cisco_CDR_Codec'
DSP Card	Type: Static. Purpose: Filters by condition: %(FAMILY) LIKE 'VOIP_Cisco_PSTN_Gateway_DS%' OR %(VoIPCallMgrSerialOrDsp) LIKE 'voice%'
Interface	Type: Static. Purpose: Filters by condition: %(AP_ifType) = 'ds1' AND %(VoIPCallMgrSerialOrDsp) NOT LIKE 'voice%'
PSTN Gateway	Type: Static. Purpose: Filters by condition: %(VoIPDeviceType) LIKE 'PSTNGatewayCisco%'
Perfmon	Type: Static. Purpose: Filters by condition: %(VoIPDeviceType) = 'CUCM_Perfmon'

NOTES

Chapter 7: Collection Formulas

This chapter discusses the following topics:

Topic	Page
<i>Overview</i>	175
<i>Data Collection</i>	176
<i>Formulas and Metrics</i>	176
<i>Formula Reference</i>	177

Overview

This technology pack provides the following types of collection formulas:

- SNMP collection formulas specific to the associated network devices and technologies on which it operates. These SNMP collection formulas are installed with the Cisco IP Telephony Technology Pack.
- Bulk collection formulas. Unlike an SNMP collection formula, a bulk collection formula has no executable instructions. However, the Bulk Collector requires database IDs for the value it returns after reading Bulk input files. Bulk collection formulas provide these unique database IDs. The Formula Table (`FRML_DESC`) must contain an ID for each metric the Bulk Collector might return. If the entry in the Formula Table does not exist, the Bulk Collector cannot report the value.

Typically, a Bulk collection formula consists of a name that maps to a statistic that resides in a Bulk input file. Typically, the device or devices that the technology pack supports generate the statistics that reside in these Bulk input files. In many cases, the statistics reside in these Bulk input files as data records or data fields.

Each Bulk collection formula name has an associated ID. It is the Bulk collection formula ID (along with the sub-element ID and timestamp) that identify a specific location in the database where the statistic resides. In other words, the Bulk collection formulas do not perform any calculations, but merely serve as pointers to the actual statistics residing in the database.

There are many formats associated with Bulk input files, for example CSV, XML, and binary. Typically, a technology pack provides a Bulk Adaptor Design File (implemented as a JavaScript file) that defines the format or formats of the Bulk input files for which it is responsible for processing. This Bulk Adaptor Design File processes both inventory and statistics from the same Bulk input file. More specifically, this Bulk Adaptor Design File provides a function that creates the Bulk collection formula names.

Data Collection

This technology pack uses both SNMP collection and bulk collection to gather data about Cisco IP Telephony devices and services:

- With SNMP collection, data is gathered from objects in standard and vendor-specific MIBs.
- With bulk collection, the Netcool/Proviso Bulk Collector gathers input files that contain non-SNMP data generated by Cisco IP Telephony devices. This data is processed by the technology pack's Bulk Adaptor Design File, CCMA adaptor.js.

Formulas and Metrics

After the network data is collected, Netcool/Proviso processes the data and generates the metrics that are stored in the DataMart database and used in DataView reports. This processing is performed by the formulas described in this chapter.

A metric has the same name as the formula that generates it.

Metrics are categorized according to the type of process used to calculate the metric, as follows:

- **SNMP** — Data collected from MIB objects and processed by formulas included with this technology pack. Formulas that generate SNMP metrics are listed in this chapter in the Syntax section of the reference pages.
- **Import** — Data collected from bulk input files generated by a Cisco IP Telephony device and processed by the Bulk Adaptor Design File. In some cases, the design file maps a bulk metric to a single statistic in an input file. In other cases, the design file generates a bulk metric value through a calculation involving multiple input file statistics.
- **Generic** — A metric whose database location is mapped to multiple formulas. This allows the formulas to store the metrics they generate against a single database ID, allowing the metrics to appear in a single DataView report.
- **CME** — Metrics that are produced by calculations that the Netcool/Proviso Complex Metric Engine (CME) performs, using other metrics and sub-element properties as inputs.

***Note:** Generic and CME formulas may not be included in this technology pack.*

Metrics may appear in DataView reports as raw data, or they may be further processed by the Complex Metric Engine — for example, to produce data aggregations over time. To learn where the metrics generated by the formulas in this chapter are used, see the chapter on supported reports in this guide.

This chapter is a reference of the formulas that the Cisco IP Telephony Technology Pack provides. The chapter lists formulas alphabetically.

Formula Reference

The following pages provide a reference of the formulas that this technology pack provides. The reference pages have the following sections:

- **Type.** The source of data for the formula being described — for example, SNMP (collect).
- **Description.** The description of the formula.
- **Syntax.** The formula that generates the metric from the collected SNMP data.

After this formula processes the data, the resulting metric can be used in Netcool/Proviso DataView reports and in calculations of other metrics.

See the *Netcool/Proviso SNMP Formula Language Guide* for detailed information about the syntax used to write SNMP collection formulas.

- **Formula Input.** This section appears with CME formulas only. It shows the variables that the CME formula uses as input, and the property or formula that supplies a variable's value. In the following example, the formula `Egress Octets Forwarded` is the source of the value of the input variable `EgressOct`.

```
Input:  EgressOct
Source: Egress Octets Forwarded (Formula)
```

- **Generic Database Alias.** A database location where the metric generated by a formula can be stored. Typically, generic metrics serve as repositories in the database for mixed data collected from a particular kind of sub-element — for example, low- and high-capacity interfaces. Storing mixed data against a generic metric ID allows you to display the different kinds of data in a single report.
- **Path.** The path where the referenced SNMP collection formula is defined in the Netcool/Proviso database. You view the formula tree through the Formula Selector dialog of the Netcool/Proviso Formula Editor. To display this dialog, click **File > Load** in the Formula Editor.
- **MIB.** One or more MIBs that supply data to the referenced SNMP formula.

AttendantConsoleClientsOnline

Type

Import

Description

Total number of attendant console clients currently online.

Syntax

```
#Bulk Metric
```

Generic Database Alias

None.

Formula Editor Path

AP > Specific > Bulk > VOIP > Cisco > Perfmon

AttendantConsoleClientsRegistered

Type

Import

Description

Total number of attendant console clients registered to the device.

Syntax

```
#Bulk Metric
```

Generic Database Alias

None.

Formula Editor Path

AP > Specific > Bulk > VOIP > Cisco > Perfmon

AuthenticatedCallsActive

Type

Import

Description

Total number of active authenticated calls.

Syntax

```
#Bulk Metric
```

Generic Database Alias

None.

Formula Editor Path

AP > Specific > Bulk > VOIP > Cisco > Perfmon

AuthenticatedPartiallyRegisteredPhone

Type

Import

Description

Total number of active authenticated extensions that have not completed the registration process.

Syntax

`#Bulk Metric`

Generic Database Alias

None.

Formula Editor Path

AP > Specific > Bulk > VOIP > Cisco > Perfmon

AuthenticatedRegisteredPhones

Type

Import

Description

Total number of active authenticated and fully registered extensions.

Syntax

```
#Bulk Metric
```

Generic Database Alias

None.

Formula Editor Path

AP > Specific > Bulk > VOIP > Cisco > Perfmon

Availability (percent)

Type

SNMP (collection)

Description

The percentage of time that this resource was in an operational state.

Syntax

```
DEF UseLib RFC1213Interface;  
DEF SaveAlias 2955;  
ifAvailability(Percent)
```

Generic Database Alias

[Interface Availability \(percent\)](#)

Formula Editor Path

AP > Specific > SNMP > Interfaces > Availability

MIB

rfc1213-MIB-II

BRChannelsActive

Type

Import

Description

Total number of BRI channels currently in use in the target device.

Syntax

```
#Bulk Metric
```

Generic Database Alias

None.

Formula Editor Path

AP > Specific > Bulk > VOIP > Cisco > Perfmon

BRISpansInService

Type

Import

Description

Total number of BRI spans available in the target device.

Syntax

```
#Bulk Metric
```

Generic Database Alias

None.

Formula Editor Path

AP > Specific > Bulk > VOIP > Cisco > Perfmon

CallDuration

Type

Import

Description

The duration of the call, in seconds.

Syntax

```
#Bulk Metric
```

Generic Database Alias

None.

Formula Editor Path

AP > Specific > Bulk > VOIP > Cisco > CDR

CallsActive

Type

Import

Description

Total number of currently active calls for the resource or resources specified.

Syntax

```
#Bulk Metric
```

Generic Database Alias

None.

Formula Editor Path

AP > Specific > Bulk > VOIP > Cisco > Perfmon

CallsInProgress

Type

Import

Description

Total number of calls being established at the time of sampling.

Syntax

```
#Bulk Metric
```

Generic Database Alias

None.

Formula Editor Path

AP > Specific > Bulk > VOIP > Cisco > Perfmon

CauseCallRejected

Type

Import

Description

Call rejected. Cause code 21.

Syntax

```
#Bulk Metric
```

Generic Database Alias

None.

Formula Editor Path

AP > Specific > Bulk > VOIP > Cisco > CDR

CauseChannelUnacceptable

Type

Import

Description

Channel unacceptable. Cause code 6.

Syntax

```
#Bulk Metric
```

Generic Database Alias

None.

Formula Editor Path

AP > Specific > Bulk > VOIP > Cisco > CDR

CauseDestinationOutOfOrder

Type

Import

Description

Destination out of order. Cause code 27.

Syntax

```
#Bulk Metric
```

Generic Database Alias

None.

Formula Editor Path

AP > Specific > Bulk > VOIP > Cisco > CDR

CauseInvalidNumberFormat

Type

Import

Description

Address incomplete, invalid number format. Cause code 28.

Syntax

```
#Bulk Metric
```

Generic Database Alias

None.

Formula Editor Path

AP > Specific > Bulk > VOIP > Cisco > CDR

CauseMisdialedTrunkPrefix

Type

Import

Description

Misdialed trunk prefix. Cause code 5.

Syntax

```
#Bulk Metric
```

Generic Database Alias

None.

Formula Editor Path

AP > Specific > Bulk > VOIP > Cisco > CDR

CauseNetworkOutOfOrder

Type

Import

Description

Network out of order. Cause code 38.

Syntax

```
#Bulk Metric
```

Generic Database Alias

None.

Formula Editor Path

AP > Specific > Bulk > VOIP > Cisco > CDR

CauseNoAnswerFromUser

Type

Import

Description

No answer from user. Cause code 19.

Syntax

```
#Bulk Metric
```

Generic Database Alias

None.

Formula Editor Path

AP > Specific > Bulk > VOIP > Cisco > CDR

CauseNoChannelAvailable

Type

Import

Description

No channel/circuit available. Cause code 34.

Syntax

```
#Bulk Metric
```

Generic Database Alias

None.

Formula Editor Path

AP > Specific > Bulk > VOIP > Cisco > CDR

CauseNoRouteToDestination

Type

Import

Description

No route to destination. Cause code 3.

Syntax

```
#Bulk Metric
```

Generic Database Alias

None.

Formula Editor Path

AP > Specific > Bulk > VOIP > Cisco > CDR

CauseNoRouteTransitNetwork

Type

Import

Description

No route to specified transit network. Cause code 2.

Syntax

```
#Bulk Metric
```

Generic Database Alias

None.

Formula Editor Path

AP > Specific > Bulk > VOIP > Cisco > CDR

CauseNoUserResponding

Type

Import

Description

No user responding to the call. Cause code 18.

Syntax

```
#Bulk Metric
```

Generic Database Alias

None.

Formula Editor Path

AP > Specific > Bulk > VOIP > Cisco > CDR

CauseNumberChanged

Type

Import

Description

CNumber changed. Cause code 22.

Syntax

```
#Bulk Metric
```

Generic Database Alias

None.

Formula Editor Path

AP > Specific > Bulk > VOIP > Cisco > CDR

CauseOther

Type

Import

Description

Unspecified error.

Syntax

```
#Bulk Metric
```

Generic Database Alias

None.

Formula Editor Path

AP > Specific > Bulk > VOIP > Cisco > CDR

CauseResourceUnavailable

Type

Import

Description

Resource unavailable or unspecified. Cause code 47.

Syntax

```
#Bulk Metric
```

Generic Database Alias

None.

Formula Editor Path

AP > Specific > Bulk > VOIP > Cisco > CDR

CauseSubscriberAbsent

Type

Import

Description

Subscriber absent. Cause code 20.

Syntax

```
#Bulk Metric
```

Generic Database Alias

None.

Formula Editor Path

AP > Specific > Bulk > VOIP > Cisco > CDR

CauseSwitchCongestion

Type

Import

Description

Switching equipment congestion. Cause code 42.

Syntax

```
#Bulk Metric
```

Generic Database Alias

None.

Formula Editor Path

AP > Specific > Bulk > VOIP > Cisco > CDR

CauseTemporaryFailure

Type

Import

Description

Temporary failure. Cause code 41.

Syntax

```
#Bulk Metric
```

Generic Database Alias

None.

Formula Editor Path

AP > Specific > Bulk > VOIP > Cisco > CDR

CauseUnassignedNumber

Type

Import

Description

Unassigned or unallocated number. Cause code 1.

Syntax

```
#Bulk Metric
```

Generic Database Alias

None.

Formula Editor Path

AP > Specific > Bulk > VOIP > Cisco > CDR

CauseUserBusy

Type

Import

Description

User busy. Cause code 17.

Syntax

```
#Bulk Metric
```

Generic Database Alias

None.

Formula Editor Path

AP > Specific > Bulk > VOIP > Cisco > CDR

CCM CPU Utilization (percent) (avg last 5 mn)

Type

SNMP (collection)

Description

The average percentage of time, over the last five minutes, that this processor was not idle.

Syntax

```
hrProcessorLoad.1
```

Generic Database Alias

None.

Formula Editor Path

AP > Specific > SNMP > VOIP > Cisco > CCM Server > Device

MIB

rfc1514-HOSTRESOURCES

CCM Media Device Registration Availability (percent)

Type

SNMP (collection)

Description

The availability (percentage) that the media devices can register with a CCM server.

Syntax

```
Def DefaultNoRespResult 0;
Dim I1 AS Integer Default * NAME MediaDevice;
100 * abs( delta(sysUpTime.0) * (1 + distrib(ccmMediaDeviceStatus.%I1,"=1:-1,==2:1,==3:-1,==4:-1") )/2 - delta(sysUpTime.0)/2 * abs( delta(distrib(ccmMediaDeviceStatus.%I1,"=1:-1,==2:1,==3:-1,==4:-1"))/2 ) ) / delta(sysUpTime.0)
```

Generic Database Alias

None.

Formula Editor Path

AP > Specific > SNMP > VOIP > Cisco > CCM Server > Device

MIB

CISCO-CCM-MIB.my

rfc1213-MIB-II

CCM Physical Memory Utilization (percent)

Type

SNMP (collection)

Description

The percentage of CallManager physical memory utilization. The percentage is determined by finding the total amount of real system memory allocated to each process, and then dividing the total by the amount of physical memory contained by the host.

Syntax

```
Dim I0 AS Integer Default * NAME Mem;  
V1=OIDVAL(hrSWRunPerfMem.%I0);  
V2=OIDVAL(Sum(*, %V1));  
V3=OIDVAL(hrMemorySize.0);  
100*(%V2/%V3)
```

Generic Database Alias

None.

Formula Editor Path

AP > Specific > SNMP > VOIP > Cisco > CCM Server > Device

MIB

rfc1514-HOSTRESOURCES

CCM Registered CTI Devices (Nb) (Gauge)

Type

SNMP (collection)

Description

The total number of CTI devices registered to the CallManager.

Syntax

```
ccmRegisteredCTIDevices.0
```

Generic Database Alias

None.

Formula Editor Path

AP > Specific > SNMP > VOIP > Cisco > CCM Server > Device

MIB

CISCO-CCM-MIB.my

CCM Registered Devices (Nb) (Gauge)

Type

SNMP (collection)

Description

The total number of devices currently registered to the CallManager device.

Syntax

```
ccmRegisteredPhones.0 + ccmRegisteredGateways.0 + ccmRegisteredMediaDevices.0 +  
ccmRegisteredCTIDevices.0 + ccmRegisteredVoiceMailDevices.0
```

Generic Database Alias

None.

Formula Editor Path

AP > Specific > SNMP > VOIP > Cisco > CCM Server > Device

MIB

CISCO-CCM-MIB.my

CCM Registered Gateways (Nb) (Gauge)

Type

SNMP (collection)

Description

The total number of media gateways registered to a CallManager device.

Syntax

```
ccmRegisteredGateways.0
```

Generic Database Alias

None.

Formula Editor Path

AP > Specific > SNMP > VOIP > Cisco > CCM Server > Device

MIB

CISCO-CCM-MIB.my

CCM Registered Media Devices (Nb) (Gauge)

Type

SNMP (collection)

Description

The total number of media devices registered to a CallManager Server.

Syntax

```
ccmRegisteredMediaDevices.0
```

Generic Database Alias

None.

Formula Editor Path

AP > Specific > SNMP > VOIP > Cisco > CCM Server > Device

MIB

CISCO-CCM-MIB.my

CCM Registered Phones (Nb) (Gauge)

Type

SNMP (collection)

Description

The total number of IP phones registered to a CallManager device.

Syntax

```
ccmRegisteredPhones.0
```

Generic Database Alias

None.

Formula Editor Path

AP > Specific > SNMP > VOIP > Cisco > CCM Server > Device

MIB

CISCO-CCM-MIB.my

CCM Registered VoiceMail Devices (Nb) (Gauge)

Type

SNMP (collection)

Description

The total number of registered voicemail devices.

Syntax

```
ccmRegisteredVoiceMailDevices.0
```

Generic Database Alias

None.

Formula Editor Path

AP > Specific > SNMP > VOIP > Cisco > CCM Server > Device

MIB

CISCO-CCM-MIB.my

CCM Rejected Devices (Nb) (Gauge)

Type

SNMP (collection)

Description

The total number of rejected devices.

Syntax

```
ccmRejectedPhones.0 + ccmRejectedGateways.0 + ccmRejectedMediaDevices.0 +  
ccmRejectedCTIDevices.0 + ccmRejectedVoiceMailDevices.0
```

Generic Database Alias

None.

Formula Editor Path

AP > Specific > SNMP > VOIP > Cisco > CCM Server > Device

MIB

CISCO-CCM-MIB.my

CCM SQL Server Availability percentage

Type

SNMP (collection)

Description

The availability percentage of the CallManager SQL server.

Syntax

```
Def DefaultNoRespResult 0;  
Dim I0 AS Integer Default * NAME Sqlserver;  
100 * abs( delta(sysUpTime.0) * (1 + distrib(mssqlSrvState.%I0,"==1:1,==2:-1,==3:-1,==4:1,5==-1,6==1,7==-1") )/2 - delta(sysUpTime.0)/2 * abs( delta(distrib(mssqlSrvState.%I0,"==1:1,==2:-1,==3:-1,==4:1,5==-1,6==1,7==-1"))/2 ) ) / delta(sysUpTime.0)
```

Generic Database Alias

None.

Formula Editor Path

AP > Specific > SNMP > VOIP > Cisco > CCM Server > Sql Server

MIB

MSSQL-MIB.my

rfc1213-MIB-II

CCM SQL Server Cache Hit ratio (percent)

Type

SNMP (collection)

Description

The buffer cache hit ratio. The percentage of time that a requested data page was found in the data cache instead of being read from disk.

Syntax

```
Dim I0 AS Integer Default * NAME Sql;  
V1=OIDVAL(mssqlSrvInfoCacheHitRatio.%I0);  
Sum(*, %V1)
```

Generic Database Alias

None.

Formula Editor Path

AP > Specific > SNMP > VOIP > Cisco > CCM Server > Sql Server

MIB

MSSQL-MIB.my

CCM SQL Server free buffers (Nb)

Type

SNMP (collection)

Description

The total number of data cache buffers currently in the free pool.

Syntax

```
Dim I0 AS Integer Default * NAME Sql;  
V1=OIDVAL(mssqlSrvInfoFreeBuffers.%I0);  
Sum(*, %V1)
```

Generic Database Alias

None.

Formula Editor Path

AP > Specific > SNMP > VOIP > Cisco > CCM Server > Sql Server

MIB

MSSQL-MIB.my

CCM SQL Server number active user connections

Type

SNMP (collection)

Description

The total number of open user connections.

Syntax

```
Dim I0 AS Integer Default * NAME Sql;  
V1=OIDVAL(mssqlSrvInfoUserConnections.%I0);  
Sum(*, %V1)
```

Generic Database Alias

None.

Formula Editor Path

AP > Specific > SNMP > VOIP > Cisco > CCM Server > Sql Server

MIB

MSSQL-MIB.my

CCM SQL Server number of blocked users

Type

SNMP (collection)

Description

The total Number of users blocked by other users.

Syntax

```
Dim I0 AS Integer Default * NAME Sql;  
V1=OIDVAL(mssqlSrvInfoUsersBlocked.%I0);  
Sum(*, %V1)
```

Generic Database Alias

None.

Formula Editor Path

AP > Specific > SNMP > VOIP > Cisco > CCM Server > Sql Server

MIB

MSSQL-MIB.my

CCM SQL Server number of locks blocking processes

Type

SNMP (collection)

Description

The total number of locks blocking other processes.

Syntax

```
Dim I0 AS Integer Default * NAME Sql;  
V1=OIDVAL(mssqlSrvInfoTotalBlockingLocks.%I0);  
Sum(*, %V1)
```

Generic Database Alias

None.

Formula Editor Path

AP > Specific > SNMP > VOIP > Cisco > CCM Server > Sql Server

MIB

MSSQL-MIB.my

CCM SQL Server number of locks

Type

SNMP (collection)

Description

The total number of locks in use by SQL Server.

Syntax

```
Dim I0 AS Integer Default * NAME Sql;  
V1=OIDVAL(mssqlSrvInfoTotalLocks.%I0);  
Sum(*, %V1)
```

Generic Database Alias

None.

Formula Editor Path

AP > Specific > SNMP > VOIP > Cisco > CCM Server > Sql Server

MIB

MSSQL-MIB.my

CCM SQL Server number of pending rw

Type

SNMP (collection)

Description

The total number of pending reads and writes.

Syntax

```
Dim I0 AS Integer Default * NAME Sql;  
V1=OIDVAL(mssqlSrvInfoOutstandingReads.%I0 + mssqlSrvInfoOutstandingWrites.%I0);  
Sum(*, %V1)
```

Generic Database Alias

None.

Formula Editor Path

AP > Specific > SNMP > VOIP > Cisco > CCM Server > Sql Server

MIB

MSSQL-MIB.my

CCM SQL Server Total number of Pages

Type

SNMP (collection)

Description

The total number of pages read and written.

Syntax

```
Dim I0 AS Integer Default * NAME Sql;  
V1=OIDVAL(delta(mssqlSrvInfoPageReads.%I0) +  
delta(mssqlSrvInfoSinglePageWrites.%I0));  
Sum(*, %V1)
```

Generic Database Alias

None.

Formula Editor Path

AP > Specific > SNMP > VOIP > Cisco > CCM Server > Sql Server

MIB

MSSQL-MIB.my

CCR

Type

Import

Description

Cumulative concealment ratio during a call represented as concealment time / speech time.

Syntax

```
#Bulk Metric
```

Generic Database Alias

None.

Formula Editor Path

AP > Specific > Bulk > VOIP > Cisco > CMR

Cluster Erlang

Type

CME

Description

Cluster Erlang measured in minutes: $\text{ClusterCallDuration} / 60$.

Syntax

$^{(\text{duration}/60)}$

Formula Input

Input: duration

Source: ClusterCallDuration (Formula)

Generic Database Alias

None.

Formula Editor Path

AP > Specific > CME > VOIP > Cisco

Cluster Number of Direct VoiceMail Calls (Nb)

Type

CME

Description

The total number of voicemail calls that are direct calls to voicemail (that is, users calling voicemail directly rather than being forwarded). This metric is the opposite of `ClusterForwardToVoiceMail`.

Syntax

`^(ClusterVoiceMailCall - ClusterForwardToVoiceMail)`

Formula Input

Input: `ClusterForwardToVoiceMail`
Source: `ClusterForwardToVoiceMail` (Formula)
Input: `ClusterVoiceMailCall`
Source: `ClusterVoiceMailCall` (Formula)

Generic Database Alias

None.

Formula Editor Path

AP > Specific > CME > VOIP > Cisco

Cluster Percentage of Company Calls (percent)

Type

CME

Description

The ratio between company calls and the total number of calls.

For information on company calls, see `Cluster Total Number of Company Calls (Nb)`.

Syntax

$$\wedge(100 * (\text{ClusterIntrasiteIPCalls} + \text{ClusterIntersiteIPCalls} + \text{ClusterIntrasiteLegacyPBXCalls} + \text{ClusterIntersiteLegacyPBXCalls}) / \text{ClusterTotalCalls})$$

Formula Input

Input: `ClusterIntersiteIPCalls`

Source: [ClusterIntersiteIPCall](#) (Formula)

Input: `ClusterIntersiteLegacyPBXCalls`

Source: [ClusterIntersiteLegacyPBXCall](#) (Formula)

Input: `ClusterIntrasiteIPCalls`

Source: [ClusterIntrasiteIPCall](#) (Formula)

Input: `ClusterIntrasiteLegacyPBXCalls`

Source: [ClusterIntrasiteLegacyPBXCall](#) (Formula)

Input: `ClusterTotalCalls`

Source: [ClusterTotalCall](#) (Formula)

Generic Database Alias

None.

Formula Editor Path

AP > Specific > CME > VOIP > Cisco

Cluster Percentage of Drop Calls (percent)

Type

CME

Description

The ratio between dropped calls and the total number of calls.

Syntax

```
(100*(ClusterDropCalls/ClusterTotalCalls)) > 100 ifTrue: [^nil].  
^(100*(ClusterDropCalls/ClusterTotalCalls))
```

Formula Input

Input: ClusterDropCalls
Source: [ClusterDropCall](#) (Formula)

Input: ClusterTotalCalls
Source: [ClusterTotalCall](#) (Formula)

Generic Database Alias

None.

Formula Editor Path

AP > Specific > CME > VOIP > Cisco

Cluster Percentage of Normal Call Clearing (percent)

Type

CME

Description

The ratio between calls that have a normal termination code and the total number of calls. This metric is the opposite of the `Percentage of Drop Calls`.

Syntax

```
^(100*((ClusterTotalCalls - ClusterDropCalls)/ClusterTotalCalls))
```

Formula Input

Input: `ClusterDropCalls`

Source: `ClusterDropCall` (Formula)

Input: `ClusterTotalCalls`

Source: `ClusterTotalCall` (Formula)

Generic Database Alias

None.

Formula Editor Path

AP > Specific > CME > VOIP > Cisco

Cluster Percentage of Packet Lost (percent)

Type

CME

Description

The ratio between packets lost and the total number of packets sent and received.

Syntax

$^{(100 * (ClusterNbPacketsLost / (ClusterNbPacketsReceived + ClusterNbPacketsSent)))}$

Formula Input

Input: ClusterNbPacketsLost

Source: [ClusterNbPacketsLost](#) (Formula)

Input: ClusterNbPacketsReceived

Source: [ClusterNbPacketsReceived](#) (Formula)

Input: ClusterNbPacketsSent

Source: [ClusterNbPacketsSent](#) (Formula)

Generic Database Alias

None.

Formula Editor Path

AP > Specific > CME > VOIP > Cisco

Cluster Percentage of Successful Calls (percent)

Type

CME

Description

The ratio between successful calls and the total number of calls.

Syntax

```
^(100*(ClusterSuccessfulCall/(ClusterSuccessfulCall + ClusterUnsuccessfulCall)))
```

Formula Input

Input: ClusterSuccessfulCall

Source: ClusterSuccessfulCall (Formula)

Input: ClusterUnsuccessfulCall

Source: ClusterUnsuccessfulCall (Formula)

Generic Database Alias

None.

Formula Editor Path

AP > Specific > CME > VOIP > Cisco

Cluster Percentage of TollBypass Calls (percent)

Type

CME

Description

The ratio between toll bypass calls and the total number of calls.

Syntax

```
^(100*(ClusterTollBypassCall/(ClusterTotalCall)))
```

Formula Input

Input: ClusterTollBypassCall

Source: ClusterTollBypassCall (Formula)

Input: ClusterTotalCall

Source: ClusterTotalCall (Formula)

Generic Database Alias

None.

Formula Editor Path

AP > Specific > CME > VOIP > Cisco

Cluster Total Hours of Traffic

Type

CME

Description

The total call duration in hours. This formula will be useful for future Erlang calculation.

Syntax

$^{(duration/3600)}$

Formula Input

Input: duration

Source: ClusterCallDuration (Formula)

Generic Database Alias

None.

Formula Editor Path

AP > Specific > CME > VOIP > Cisco

Cluster Total Number of Company Calls (Nb)

Type

CME

Description

The total number of company calls. This is the opposite of an external call (see `Cluster Total Number of External Calls (Nb)`).

Any call with a caller and callee that is part of the internal dial plan is a company call — for example:

- An intrasite IP call
- An intersite IP call
- An intrasite legacy PBX call
- An intersite legacy PBX call

Syntax

```
^(ClusterIntrasiteIPCalls+ClusterIntersiteIPCalls+ClusterIntrasiteLegacyPBXCalls+ClusterIntersiteLegacyPBXCalls)
```

Formula Input

Input: `ClusterIntersiteIPCalls`

Source: [ClusterIntersiteIPCall](#) (Formula)

Input: `ClusterIntersiteLegacyPBXCalls`

Source: [ClusterIntersiteLegacyPBXCall](#) (Formula)

Input: `ClusterIntrasiteIPCalls`

Source: [ClusterIntrasiteIPCall](#) (Formula)

Input: `ClusterIntrasiteLegacyPBXCalls`

Source: [ClusterIntrasiteLegacyPBXCall](#) (Formula)

Generic Database Alias

None.

Formula Editor Path

AP > Specific > CME > VOIP > Cisco

Cluster Total Number of Company IP Calls (Nb)

Type

CME

Description

The total number of intrasite and intersite IP calls.

Syntax

$^{(ClusterIntrasiteIPCalls+ClusterIntersiteIPCalls)}$

Formula Input

Input: ClusterIntersiteIPCalls

Source: [ClusterIntersiteIPCall](#) (Formula)

Input: ClusterIntrasiteIPCalls

Source: [ClusterIntrasiteIPCall](#) (Formula)

Generic Database Alias

None.

Formula Editor Path

AP > Specific > CME > VOIP > Cisco

Cluster Total Number of Company LegacyPBX Calls (Nb)

Type

CME

Description

The total number of company legacy PBX Calls.

A legacy PBX call is an intrasite or intersite legacy PBX call.

Syntax

$^{(ClusterIntrasiteLegacyPBXCalls+ClusterIntersiteLegacyPBXCalls)}$

Formula Input

Input: ClusterIntersiteLegacyPBXCalls

Source: [ClusterIntersiteLegacyPBXCall](#) (Formula)

Input: ClusterIntrasiteLegacyPBXCalls

Source: [ClusterIntrasiteLegacyPBXCall](#) (Formula)

Generic Database Alias

None.

Formula Editor Path

AP > Specific > CME > VOIP > Cisco

Cluster Total Number of External Calls (Nb)

Type

CME

Description

Any call to or from the PSTN. This is the opposite of a company call (see `Cluster Total Number of Company Calls (Nb)`).

An external call can be any of the following call types:

- Local
- Long distance
- International
- Incoming

Syntax

```
^(ClusterLocalCall + ClusterInternationalCall + ClusterLongDistanceCall + ClusterIncomingCall)
```

Formula Input

Input: ClusterIncomingCall
Source: [ClusterIncomingCall](#) (Formula)

Input: ClusterInternationalCall
Source: [ClusterInternationalCall](#) (Formula)

Input: ClusterLocalCall
Source: [ClusterLocalCall](#) (Formula)

Input: ClusterLongDistanceCall
Source: [ClusterLongDistanceCall](#) (Formula)

Generic Database Alias

None.

Formula Editor Path

AP > Specific > CME > VOIP > Cisco

Cluster Total Number of Normal Call Clearing

Type

CME

Description

The total of calls with a normal termination code.

Syntax

$^{(ClusterTotalCalls - ClusterDropCalls)}$

Formula Input

Input: ClusterDropCalls

Source: ClusterDropCall (Formula)

Input: ClusterTotalCalls

Source: ClusterTotalCall (Formula)

Generic Database Alias

None.

Formula Editor Path

AP > Specific > CME > VOIP > Cisco

Cluster Total Number of Outgoing External Calls (Nb)

Type

CME

Description

The total of outbound calls going to the PSTN. This metric is a subset of `Cluster Total Number of External Calls (Nb)`.

An outgoing external call can be any of the following call types:

- Local
- Long distance
- International

Syntax

```
^(ClusterLocalCall + ClusterInternationalCall + ClusterLongDistanceCall)
```

Formula Input

Input: ClusterInternationalCall
Source: [ClusterInternationalCall](#) (Formula)

Input: ClusterLocalCall
Source: [ClusterLocalCall](#) (Formula)

Input: ClusterLongDistanceCall
Source: [ClusterLongDistanceCall](#) (Formula)

Generic Database Alias

None.

Formula Editor Path

AP > Specific > CME > VOIP > Cisco

ClusterBlocking

Type

Import

Description

Total number of times that call blocking occurred. This can be due to lack of channel availability or switch congestion. Error codes 34 and 42 are used in the calculation.

Syntax

```
#Bulk Metric
```

Generic Database Alias

None.

Formula Editor Path

AP > Specific > Bulk > VOIP > Cisco > CLUSTER

ClusterCallDuration

Type

Import

Description

The duration of the call, in seconds.

Syntax

```
#Bulk Metric
```

Generic Database Alias

None.

Formula Editor Path

AP > Specific > Bulk > VOIP > Cisco > CLUSTER

ClusterCauseCallRejected

Type

Import

Description

Call rejected. Cause code 21.

Syntax

```
#Bulk Metric
```

Generic Database Alias

None.

Formula Editor Path

AP > Specific > Bulk > VOIP > Cisco > CLUSTER

ClusterCauseChannelUnacceptable

Type

Import

Description

Channel unacceptable. Cause code 6.

Syntax

```
#Bulk Metric
```

Generic Database Alias

None.

Formula Editor Path

AP > Specific > Bulk > VOIP > Cisco > CLUSTER

ClusterCauseDestinationOutOfOrder

Type

Import

Description

Destination out of order. Cause code 27.

Syntax

```
#Bulk Metric
```

Generic Database Alias

None.

Formula Editor Path

AP > Specific > Bulk > VOIP > Cisco > CLUSTER

ClusterCauseInvalidNumberFormat

Type

Import

Description

Address incomplete, invalid number format. Cause code 28.

Syntax

```
#Bulk Metric
```

Generic Database Alias

None.

Formula Editor Path

AP > Specific > Bulk > VOIP > Cisco > CLUSTER

ClusterCauseMisdialedTrunkPrefix

Type

Import

Description

Misdialed trunk prefix. Cause code 5.

Syntax

```
#Bulk Metric
```

Generic Database Alias

None.

Formula Editor Path

AP > Specific > Bulk > VOIP > Cisco > CLUSTER

ClusterCauseNetworkOutOfOrder

Type

Import

Description

Network out of order. Cause code 38.

Syntax

```
#Bulk Metric
```

Generic Database Alias

None.

Formula Editor Path

AP > Specific > Bulk > VOIP > Cisco > CLUSTER

ClusterCauseNoAnswerFromUser

Type

Import

Description

No answer from user. Cause code 19.

Syntax

```
#Bulk Metric
```

Generic Database Alias

None.

Formula Editor Path

AP > Specific > Bulk > VOIP > Cisco > CLUSTER

ClusterCauseNoChannelAvailable

Type

Import

Description

No channel/circuit available. Cause code 34.

Syntax

```
#Bulk Metric
```

Generic Database Alias

None.

Formula Editor Path

AP > Specific > Bulk > VOIP > Cisco > CLUSTER

ClusterCauseNoRouteToDestination

Type

Import

Description

No route to destination. Cause code 3.

Syntax

```
#Bulk Metric
```

Generic Database Alias

None.

Formula Editor Path

AP > Specific > Bulk > VOIP > Cisco > CLUSTER

ClusterCauseNoRouteTransitNetwork

Type

Import

Description

No route to specified transit network. Cause code 2.

Syntax

```
#Bulk Metric
```

Generic Database Alias

None.

Formula Editor Path

AP > Specific > Bulk > VOIP > Cisco > CLUSTER

ClusterCauseNoUserResponding

Type

Import

Description

No user responding to the call. Cause code 18.

Syntax

```
#Bulk Metric
```

Generic Database Alias

None.

Formula Editor Path

AP > Specific > Bulk > VOIP > Cisco > CLUSTER

ClusterCauseNumberChanged

Type

Import

Description

Number changed. Cause code 22.

Syntax

```
#Bulk Metric
```

Generic Database Alias

None.

Formula Editor Path

AP > Specific > Bulk > VOIP > Cisco > CLUSTER

ClusterCauseOther

Type

Import

Description

Unspecified error.

Syntax

```
#Bulk Metric
```

Generic Database Alias

None.

Formula Editor Path

AP > Specific > Bulk > VOIP > Cisco > CLUSTER

ClusterCauseResourceUnavailable

Type

Import

Description

Resource unavailable or unspecified. Cause code 47.

Syntax

```
#Bulk Metric
```

Generic Database Alias

None.

Formula Editor Path

AP > Specific > Bulk > VOIP > Cisco > CLUSTER

ClusterCauseSubscriberAbsent

Type

Import

Description

Subscriber absent. Cause code 20.

Syntax

```
#Bulk Metric
```

Generic Database Alias

None.

Formula Editor Path

AP > Specific > Bulk > VOIP > Cisco > CLUSTER

ClusterCauseSwitchCongestion

Type

Import

Description

witching equipment congestion. Cause code 42.

Syntax

```
#Bulk Metric
```

Generic Database Alias

None.

Formula Editor Path

AP > Specific > Bulk > VOIP > Cisco > CLUSTER

ClusterCauseTemporaryFailure

Type

Import

Description

Temporary failure. Cause code 41.

Syntax

```
#Bulk Metric
```

Generic Database Alias

None.

Formula Editor Path

AP > Specific > Bulk > VOIP > Cisco > CLUSTER

ClusterCauseUnassignedNumber

Type

Import

Description

Unassigned or unallocated number. Cause code 1.

Syntax

```
#Bulk Metric
```

Generic Database Alias

None.

Formula Editor Path

AP > Specific > Bulk > VOIP > Cisco > CLUSTER

ClusterCauseUserBusy

Type

Import

Description

User busy. Cause code 17.

Syntax

```
#Bulk Metric
```

Generic Database Alias

None.

Formula Editor Path

AP > Specific > Bulk > VOIP > Cisco > CLUSTER

ClusterDropCall

Type

Import

Description

Identifies a call successfully established, but that has been dropped accidentally during the communication between the two parties.

Syntax

```
#Bulk Metric
```

Generic Database Alias

None.

Formula Editor Path

AP > Specific > Bulk > VOIP > Cisco > CLUSTER

ClusterErlangB

Type

Import

Description

Probability that a new arriving call will be rejected because circuits are busy.

Syntax

```
#Bulk Metric
```

Generic Database Alias

None.

Formula Editor Path

AP > Specific > Bulk > VOIP > Cisco > CLUSTER

ClusterErlang

Type

Import

Description

Distribution of voice traffic tha traverses the PSTN, divided by time.

Syntax

```
#Bulk Metric
```

Generic Database Alias

None.

Formula Editor Path

AP > Specific > Bulk > VOIP > Cisco > CLUSTER

ClusterForwardToVoiceMail

Type

Import

Description

Identifies a call forwarded to another destination by the original callee. In this case, the destination is the voicemail extension number, defined through an `addVoiceMailRange()` method in the `CCMConfig.js` file.

This metric is the opposite of `Cluster Number of Direct VoiceMail Calls (Nb)`.

Syntax

`#Bulk Metric`

Generic Database Alias

None.

Formula Editor Path

AP > Specific > Bulk > VOIP > Cisco > CLUSTER

ClusterIncomingCall

Type

Import

Description

Identifies a call where the caller is not an internal extension.

An incoming call can also be an inbound call or an off-net call that comes from the PSTN.

Syntax

```
#Bulk Metric
```

Generic Database Alias

None.

Formula Editor Path

AP > Specific > Bulk > VOIP > Cisco > CLUSTER

ClusterInternalCall

Type

Import

Description

An internal call is a call between two internal extensions, managed by one or more CallManager clusters, where the caller and callee extensions are short, internal numbers.

An Internal call can be any of the following:

- An outbound or inbound call
- A call between two IP phones from the same site
- A call between two IP phones from different sites
- A call between one IP phone and one legacy phone from the same site
- A call between one IP phone and one legacy phone from different sites
- An intrasite or intersite legacy PBX call
- An on-net call (pure IP network transit)
- An off-net call (IP to PSTN Gateway)

An internal call can *never* be:

- A call between an internal extension and any external PSTN number

Ranges of internal extensions are defined through `addExtensionRange()` methods in the `CCMConfig.js` file.

Syntax

```
#Bulk Metric
```

Generic Database Alias

None.

Formula Editor Path

AP > Specific > Bulk > VOIP > Cisco > CLUSTER

ClusterInternationalCall

Type

Import

Description

Identifies a call where the caller is an internal extension and where the callee is an international external PSTN number, according to the numbering plan (NANP or other prefixes).

An international call can be any of the following call types:

- Outbound
- Off-net, routed towards the PSTN
- Toll bypass, if a remote PSTN Gateway is involved in the Voice path

Syntax

```
#Bulk Metric
```

Generic Database Alias

None.

Formula Editor Path

AP > Specific > Bulk > VOIP > Cisco > CLUSTER

ClusterIntersiteIPCall

Type

Import

Description

Identifies a specific internal call where the caller and callee are from different sites and are using a pure IP network transit path (that is, no PSTN Gateway is involved in the voice path).

Syntax

```
#Bulk Metric
```

Generic Database Alias

None.

Formula Editor Path

AP > Specific > Bulk > VOIP > Cisco > CLUSTER

ClusterIntersiteLegacyPBXCall

Type

Import

Description

Identifies a specific internal call where the caller and callee are from different sites and where the voice path goes through a PSTN Gateway.

This type of call occurs between either:

- One IP phone and one legacy phone from two different sites, according to their extension range number. The legacy phone is managed by a legacy PBX, which is interconnected to the CallManager through a PSTN Gateway.

In this case, the legacy phone is part of the company's internal dialplan, but is not at the same physical site.

- Two IP phones that are part of the company's internal dialplan but are not at the same site, and are using a PSTN Gateway somewhere in the voice path.

Syntax

#Bulk Metric

Generic Database Alias

None.

Formula Editor Path

AP > Specific > Bulk > VOIP > Cisco > CLUSTER

ClusterIntrasiteIPCall

Type

Import

Description

Identifies a specific internal call where the caller and callee are both at the same site and are using a pure IP network transit path (that is, no PSTN Gateway is involved in the voice Path).

Internal extensions are attached to a specific site through the `CCMConfig.js` file, where one or more `addExtensionRange()` methods are called for particular site objects.

Syntax

`#Bulk Metric`

Generic Database Alias

None.

Formula Editor Path

AP > Specific > Bulk > VOIP > Cisco > CLUSTER

ClusterIntrasiteLegacyPBXCall

Type

Import

Description

Identifies a specific internal Call where the caller and callee are both at the same site, but where the voice path goes through a PSTN Gateway.

In this case, the call can be between one IP phone and one legacy phone from the same location, according to their extension range number.

The legacy phone is managed by a legacy PBX, which is interconnected to the CallManager through a PSTN Gateway. The legacy phone is part of the company's internal dialplan.

PSTN gateways and ranges of internal extensions are attached to a specific site through the methods `addPstnGatewayIpAddress()` and `addExtensionRange()`, respectively. These methods are called for a particular site object in the `CCMConfig.js` file.

Syntax

```
#Bulk Metric
```

Generic Database Alias

None.

Formula Editor Path

AP > Specific > Bulk > VOIP > Cisco > CLUSTER

ClusterJitter

Type

Import

Description

Provides an estimate of the statistical variance of the RTP data packet interval, in milliseconds.

This metric comes from the CMR table. It is set once the call is established. Also, this metric is available only for IP phones.

Syntax

```
#Bulk Metric
```

Generic Database Alias

None.

Formula Editor Path

AP > Specific > Bulk > VOIP > Cisco > CLUSTER

ClusterLatency

Type

Import

Description

An estimate of network latency, expressed in milliseconds.

This value represents the average of the difference between the NTP timestamp indicated by the RTP Control Protocol (RTCP) messages and the NTP timestamp of the receivers, measured when these messages are received.

Cisco CallManager obtains the average by summing all the estimates, and then dividing by the number of RTCP messages that have been received.

This metric comes from the CMR table. It is set once the call is established. This metric is only available for IP phones.

Syntax

#Bulk Metric

Generic Database Alias

None.

Formula Editor Path

AP > Specific > Bulk > VOIP > Cisco > CLUSTER

ClusterLines

Type

Import

Description

Total number of type-18 interfaces lines.

Syntax

```
#Bulk Metric
```

Generic Database Alias

None.

Formula Editor Path

AP > Specific > Bulk > VOIP > Cisco > CLUSTER

ClusterLocalCall

Type

Import

Description

Identifies a call where the caller is an internal extension and the callee is a local external PSTN number, according to the numbering plan (NANP or other prefixes).

A local call can also be any of these call types:

- Outbound
- Off-net call, routed towards the PSTN
- Toll bypass, if a remote PSTN Gateway is involved in the voice path

The file `CCMConfig.js` contains methods that specify local call prefixes for a given site. A phone number is determined to be a local number if its prefix matches a local prefix specified for a site object in `CCMConfig.js`.

Syntax

```
#Bulk Metric
```

Generic Database Alias

None.

Formula Editor Path

AP > Specific > Bulk > VOIP > Cisco > CLUSTER

ClusterLongDistanceCall

Type

Import

Description

Identifies a call where the caller is an internal extension and the callee is a long distance external PSTN number, according to the numbering plan (NANP or Other prefixes).

A long distance call can also be any of these call types:

- Outbound
- Off-net, routed towards the PSTN
- Toll bypass, if a remote PSTN Gateway is involved in the voice path

Syntax

#Bulk Metric

Generic Database Alias

None.

Formula Editor Path

AP > Specific > Bulk > VOIP > Cisco > CLUSTER

ClusterMOS

Type

Import

Description

The mean opinion score (MOS). This is a high-level metric.

In voice communications, particularly internet telephony, the MOS provides a numeric measure of the quality of human speech at the destination end of the circuit.

There is no algorithm for MOS calculations. This is a subjective metric based on the end-user's judgment of call quality.

The scheme uses subjective scores that are mathematically averaged to obtain a quantitative indicator of the performance. To determine MOS, a number of listeners rate the quality of test sentences read aloud over the communications circuit by male and female speakers. Listeners give each sentence a rating as follows:

- 1 (bad)
- 2 (poor)
- 3 (fair)
- 4 (good)
- 5 (excellent)

The MOS is the arithmetic mean of all the individual scores. It can range from 1 (worst) to 5 (best). In our context, our MOS calculation is based on the consolidation of Jitter, latency, and packets lost, which give a good overview of the real MOS value.

Syntax

```
#Bulk Metric
```

Generic Database Alias

None.

Formula Editor Path

AP > Specific > Bulk > VOIP > Cisco > CLUSTER

ClusterNbPacketsLost

Type

Import

Description

Total number of packets that the sub-element loses during a call.

This metric comes from the CMR table. It is set once the call is established. This metric is only available for IP phones.

Syntax

#Bulk Metric

Generic Database Alias

None.

Formula Editor Path

AP > Specific > Bulk > VOIP > Cisco > CLUSTER

ClusterNbPacketsReceived

Type

Import

Description

Total number of packets that the sub-element receives during a call.

This metric comes from the CMR table. It is set once the call is established. This metric is only available for IP phones.

Syntax

#Bulk Metric

Generic Database Alias

None.

Formula Editor Path

AP > Specific > Bulk > VOIP > Cisco > CLUSTER

ClusterNbPacketsSent

Type

Import

Description

Total number of packets that the sub-element sends during a call.

This metric comes from the CMR table. It is set once the call is established. This metric is only available for IP phones.

Syntax

```
#Bulk Metric
```

Generic Database Alias

None.

Formula Editor Path

AP > Specific > Bulk > VOIP > Cisco > CLUSTER

ClusterOffNetCall

Type

Import

Description

Identifies a call where at least one PSTN Gateway is involved in the voice path, with the following criteria:

- Inbound or outbound call
- Internal call, or a call to/from a PSTN number
- Intersite or intrasite legacy PBX call

Syntax

#Bulk Metric

Generic Database Alias

None.

Formula Editor Path

AP > Specific > Bulk > VOIP > Cisco > CLUSTER

ClusterOnNetCall

Type

Import

Description

Identifies a call where both the caller and callee are internal extensions, from the same site or different sites, and with the following criteria:

- Outbound call
- Internal call
- Intersite or intrasite IP call
- No PSTN Gateway is involved in the voice path
- A pure IP-to-IP call

Syntax

#Bulk Metric

Generic Database Alias

None.

Formula Editor Path

AP > Specific > Bulk > VOIP > Cisco > CLUSTER

ClusterShortCall

Type

Import

Description

Identifies a call successfully established, but with a call duration of less than one second. In this case, the CallManager set the *CallDuration* value to 0 in the CDR table.

A short call is also:

- A successful call
- Any inbound, outbound, or other type of call described in this chapter

Syntax

```
#Bulk Metric
```

Generic Database Alias

None.

Formula Editor Path

AP > Specific > Bulk > VOIP > Cisco > CLUSTER

ClusterSuccessfulCall

Type

Import

Description

Identifies a call successfully established. Once the call is established, the communication starts between the two parties.

A successful call can be inbound, outbound, or any other type of call described in this chapter.

Syntax

```
#Bulk Metric
```

Generic Database Alias

None.

Formula Editor Path

AP > Specific > Bulk > VOIP > Cisco > CLUSTER

ClusterTollBypassCall

Type

Import

Description

Identifies a call where the caller is an internal extension managed by the CallManager, and where the callee can be an internal extension or any external PSTN number, with one or more of the following criteria:

- Outbound call
- Off-net call
- The call is going through a PSTN Gateway, and the caller site and PSTN Gateway site are different

An intersite legacy PBX call can be also a toll bypass call if the PSTN Gateway site is different from the caller site.

Toll bypass calls can save money on long distance or international calls by using a remote PSTN Gateway with local fees. For example: A caller in Boston makes a call to an external PSTN number in London. Because there is an IP-VPN between the Boston office and the London office with a PSTN Gateway in London, the call goes through the IP network until the London office's PSTN Gateway.

Syntax

```
#Bulk Metric
```

Generic Database Alias

None.

Formula Editor Path

AP > Specific > Bulk > VOIP > Cisco > CLUSTER

ClusterTotalCall

Type

Import

Description

Total number of calls,including call attempts, for the entire cluster.

Syntax

`#Bulk Metric`

Generic Database Alias

None.

Formula Editor Path

AP > Specific > Bulk > VOIP > Cisco > CLUSTER

ClusterTotalHoursOfTraffic

Type

Import

Description

Sum of all call durations for the period, measured in hours.

Syntax

```
#Bulk Metric
```

Generic Database Alias

None.

Formula Editor Path

AP > Specific > Bulk > VOIP > Cisco > CLUSTER

ClusterUnsuccessfulCall

Type

Import

Description

Identifies a call that has not been successfully established. In this case, the call setup has been rejected, and communication between the two parties never started.

An unsuccessful call can be inbound, outbound, or any other type of call described in this chapter.

Syntax

`#Bulk Metric`

Generic Database Alias

None.

Formula Editor Path

AP > Specific > Bulk > VOIP > Cisco > CLUSTER

ClusterVoicemailCallDuration

Type

Import

Description

Duration of a call with the voicemail application, in seconds.

Syntax

```
#Bulk Metric
```

Generic Database Alias

None.

Formula Editor Path

AP > Specific > Bulk > VOIP > Cisco > CLUSTER

ClusterVoiceMailCall

Type

Import

Description

Identifies a call where the final destination (callee) is voicemail. The voicemail application is managed through a specific range of extensions numbers, defined site by site, using the global variable *VoiceMailExtensionRange*.

Syntax

```
#Bulk Metric
```

Generic Database Alias

None.

Formula Editor Path

AP > Specific > Bulk > VOIP > Cisco > CLUSTER

ClusterVoicemailPackets

Type

Import

Description

Number of packets that the sub-element sent and received during a voicemail call.

This metric comes from the CMR table. It is set once the call is established with one of the voicemail extensions.

Syntax

#Bulk Metric

Generic Database Alias

None.

Formula Editor Path

AP > Specific > Bulk > VOIP > Cisco > CLUSTER

CS

Type

Import

Description

The number of seconds of concealment during a call.

Syntax

```
#Bulk Metric
```

Generic Database Alias

None.

Formula Editor Path

AP > Specific > Bulk > VOIP > Cisco > CMR

DropCall

Type

Import

Description

Identifies a call successfully established, but that has been dropped accidentally during the communication between the two parties.

Syntax

```
#Bulk Metric
```

Generic Database Alias

None.

Formula Editor Path

AP > Specific > Bulk > VOIP > Cisco > CDR

DSP Card Availability (percent)

Type

SNMP (collection)

Description

DSP card availability percentage.

Syntax

```
Def DefaultNoRespResult 0;
Dim I1 AS Integer Default * NAME Interface;
100 * abs( delta(sysUpTime.0) * (1 + distrib(cdspCardState.%I1,"==1:1,==2:1,==3:-1,==4:-1,==5:-1") )/2 - delta(sysUpTime.0)/2 * abs( delta(distrib(cdspCardState.%I1,"==1:1,==2:1,==3:-1,==4:-1,==5:-1"))/2 ) ) / delta(sysUpTime.0)
```

Generic Database Alias

None.

Formula Editor Path

AP > Specific > SNMP > VOIP > Cisco > PSTN Gateway > DSP Card

MIB

rfc1213-MIB-II

CISCO-DSP-MGMT-MIB.my

DSP Card Resource Utilization (percent)

Type

SNMP (collection)

Description

Total percentage of DSPs in use for a DSP card.

Syntax

```
cdspCardResourceUtilization.%I1
```

Generic Database Alias

None.

Formula Editor Path

AP > Specific > SNMP > VOIP > Cisco > PSTN Gateway > DSP Card

MIB

CISCO-DSP-MGMT-MIB.my

EncryptedCallsActive

Type

Import

Description

Total number of currently active encrypted calls.

Syntax

```
#Bulk Metric
```

Generic Database Alias

None.

Formula Editor Path

AP > Specific > Bulk > VOIP > Cisco > Perfmon

EncryptedPartiallyRegisteredPhones

Type

Import

Description

Total number of encrypted extensions that have not completed the registration process.

Syntax

```
#Bulk Metric
```

Generic Database Alias

None.

Formula Editor Path

AP > Specific > Bulk > VOIP > Cisco > Perfmon

EncryptedRegisteredPhones

Type

Import

Description

Total number of active authenticated calls.

Syntax

`#Bulk Metric`

Generic Database Alias

None.

Formula Editor Path

AP > Specific > Bulk > VOIP > Cisco > Perfmon

ForwardToVoiceMail

Type

Import

Description

Identifies a call forwarded to another destination by the original callee. In this case, the destination is one of the voicemail extension numbers. Voicemail extension numbers are defined for a site through `addVoiceMailRange()` methods in the `CCMConfig.js` file.

Syntax

```
#Bulk Metric
```

Generic Database Alias

None.

Formula Editor Path

AP > Specific > Bulk > VOIP > Cisco > CDR

FXOPortsActive

Type

Import

Description

Total number of FXO ports currently in use in the target device.

Syntax

```
#Bulk Metric
```

Generic Database Alias

None.

Formula Editor Path

AP > Specific > Bulk > VOIP > Cisco > Perfmon

FXOPortsInService

Type

Import

Description

Total number of FXO ports available in the target device.

Syntax

```
#Bulk Metric
```

Generic Database Alias

None.

Formula Editor Path

AP > Specific > Bulk > VOIP > Cisco > Perfmon

FXSPortsActive

Type

Import

Description

Total number of FXS ports currently in use in the target device.

Syntax

```
#Bulk Metric
```

Generic Database Alias

None.

Formula Editor Path

AP > Specific > Bulk > VOIP > Cisco > Perfmon

FXSPortsInService

Type

Import

Description

Total number of FXS ports available in the target device.

Syntax

```
#Bulk Metric
```

Generic Database Alias

None.

Formula Editor Path

AP > Specific > Bulk > VOIP > Cisco > Perfmon

Gatekeeper Buffer Utilization (percent)

Type

SNMP (collection)

Description

The percentage of a gatekeeper device's buffer space that is in use.

Syntax

```
100 * ((bufferSmTotal.0+bufferMdTotal.0+bufferBgTotal.0+bufferLgTotal.0+bufferHgTotal.0) -  
(bufferSmFree.0+bufferMdFree.0+bufferBgFree.0+bufferLgFree.0+bufferHgFree.0)) / (b  
ufferSmTotal.0+bufferMdTotal.0+bufferBgTotal.0+bufferLgTotal.0+bufferHgTotal.0)
```

Generic Database Alias

None.

Formula Editor Path

AP > Specific > SNMP > VOIP > Cisco > Gatekeeper > Device

MIB

cisco-10-mib

Gatekeeper Call Setup Quality (percent)

Type

SNMP (collection)

Description

Percentage of calls that have been set up successfully.

Syntax

```
100 * (delta(cgkStatsAdmissionConfirms.0) + delta(cgkStatsRcvdLocationConfirms.0) + delta(cgkStatsSentLocationConfirms.0)) / (delta(cgkStatsAdmissionConfirms.0) + delta(cgkStatsRcvdLocationConfirms.0) + delta(cgkStatsSentLocationConfirms.0) + delta(cgkStatsAdmissionRejects.0) + delta(cgkStatsRcvdLocationRejects.0) + delta(cgkStatsSentLocationRejects.0))
```

Generic Database Alias

None.

Formula Editor Path

AP > Specific > SNMP > VOIP > Cisco > Gatekeeper > Device

MIB

CISCO-GATEKEEPER-MIB.my

Gatekeeper CPU Utilization (percent) (avg last 5 mn)

Type

SNMP (collection)

Description

CPU utilization percentage over the last five minutes.

Syntax

`avgBusy5 . 0`

Generic Database Alias

None.

Formula Editor Path

AP > Specific > SNMP > VOIP > Cisco > Gatekeeper > Device

MIB

cisco-10-mib

Gatekeeper ICMP Inbound Errors (percent)

Type

SNMP (collection)

Description

Percentage of inbound ICMP packets that triggered errors.

Syntax

```
(100*(delta icmpInErrors.0)/distrib(delta icmpInMsgs.0), "==0:1, default:*"))*distrib(delta sysUpTime.0, "default:1");
```

Generic Database Alias

None.

Formula Editor Path

AP > Specific > SNMP > VOIP > Cisco > Gatekeeper > Device

MIB

rfc1213-MIB-II

Gatekeeper ICMP Outbound Errors (percent)

Type

SNMP (collection)

Description

Percentage of outbound ICMP packets that triggered errors.

Syntax

```
(100*(delta icmpOutErrors.0)/distrib(delta icmpOutMsgs.0, "==0:1, default:*"))*distrib(delta sysUpTime.0, "default:1");
```

Generic Database Alias

None.

Formula Editor Path

AP > Specific > SNMP > VOIP > Cisco > Gatekeeper > Device

MIB

rfc1213-MIB-II

Gatekeeper Packet Errors (Nb)

Type

SNMP (collection)

Description

Total number of packet errors for a gatekeeper device.

Syntax

```
V1=OIDVAL(distrib(delta(sysUpTime.0), "default:1") * sum(*,  
delta(ifInDiscards.%I1) + delta(ifInErrors.%I1) + delta(ifInUnknownProtos.%I1)));  
V2=OIDVAL(distrib(delta(sysUpTime.0), "default:1") * sum(*,  
delta(ifOutDiscards.%I1) + delta(ifOutErrors.%I1)));  
%V1 + %V2;
```

Generic Database Alias

None.

Formula Editor Path

AP > Specific > SNMP > VOIP > Cisco > Gatekeeper > Device

MIB

rfc1213-MIB-II

Gatekeeper Total Number of Admission Rejects (Nb)

Type

SNMP (collection)

Description

Total number of admission rejections.

Syntax

```
V1=OIDVAL(distrib(delta(sysUpTime.0), "default:1") *  
delta(cgkStatsAdmissionRejects.0));  
%V1;
```

Generic Database Alias

None.

Formula Editor Path

AP > Specific > SNMP > VOIP > Cisco > Gatekeeper > Device

MIB

rfc1213-MIB-II

CISCO-GATEKEEPER-MIB.my

Gatekeeper Total Number of Admission Requests (Nb)

Type

SNMP (collection)

Description

Total number of gatekeeper admission requests.

Syntax

```
V1=OIDVAL(distrib(delta(sysUpTime.0), "default:1") *  
delta(cgkStatsAdmissionRequests.0));  
%V1;
```

Generic Database Alias

None.

Formula Editor Path

AP > Specific > SNMP > VOIP > Cisco > Gatekeeper > Device

MIB

CISCO-GATEKEEPER-MIB.my

rfc1213-MIB-II

Gatekeeper Total Number of Concurrent Calls (Nb) (Gauge)

Type

SNMP (collection)

Description

Total number of concurrent calls for a gatekeeper device.

Syntax

`cgkStatsTotalConcurrentCalls.0`

Generic Database Alias

None.

Formula Editor Path

AP > Specific > SNMP > VOIP > Cisco > Gatekeeper > Device

MIB

CISCO-GATEKEEPER-MIB.my

Gatekeeper Total Number of Location Rejects (Nb)

Type

SNMP (collection)

Description

Total number of location reject messages that a gatekeeper device sent and received.

Syntax

```
V1=OIDVAL(distrib(delta(sysUpTime.0), "default:1") * (
delta(cgkStatsRcvdLocationRejects.0) + delta(cgkStatsSentLocationRejects.0 )));
%V1;
```

Generic Database Alias

None.

Formula Editor Path

AP > Specific > SNMP > VOIP > Cisco > Gatekeeper > Device

MIB

rfc1213-MIB-II

CISCO-GATEKEEPER-MIB.my

Gatekeeper Total Number of Location Requests (Nb)

Type

SNMP (collection)

Description

Total number of location requests that a gatekeeper device sent and received.

Syntax

```
V1=OIDVAL(distrib(delta(sysUpTime.0), "default:1") * (
delta(cgkStatsRcvdLocationRequests.0) + delta(cgkStatsSentLocationRequests.0))
);
%V1;
```

Generic Database Alias

None.

Formula Editor Path

AP > Specific > SNMP > VOIP > Cisco > Gatekeeper > Device

MIB

rfc1213-MIB-II

CISCO-GATEKEEPER-MIB.my

Gatekeeper Total Number of Registered EndPoints (Nb)

Type

SNMP (collection)

Description

Total number of endpoints registered to a Cisco gatekeeper.

Syntax

```
cgkStatsRegisteredEndpoints.0
```

Generic Database Alias

None.

Formula Editor Path

AP > Specific > SNMP > VOIP > Cisco > Gatekeeper > Device

MIB

CISCO-GATEKEEPER-MIB.my

Gatekeeper Total Packets (Nb)

Type

SNMP (collection)

Description

Total number of packets that the gatekeeper device sent and received.

Syntax

```
V1=OIDVAL(distrib(delta(sysUpTime.0), "default:1") * ( delta(ipForwDatagrams.0) +  
delta(ipOutRequests.0) + delta(ipInReceives.0) ));  
%V1;
```

Generic Database Alias

None.

Formula Editor Path

AP > Specific > SNMP > VOIP > Cisco > Gatekeeper > Device

MIB

rfc1213-MIB-II

GatewayCallsActive

Type

Import

Description

Total number of currently active calls for the gateway resource or resources specified.

Syntax

```
#Bulk Metric
```

Generic Database Alias

None.

Formula Editor Path

AP > Specific > Bulk > VOIP > Cisco > Perfmon

H323CallsActive

Type

Import

Description

Total number of currently active H.323 calls for the resource or resources specified.

Syntax

`#Bulk Metric`

Generic Database Alias

None.

Formula Editor Path

AP > Specific > Bulk > VOIP > Cisco > Perfmon

H323CallsInProgress

Type

Import

Description

Total number of H.323 calls being established at the time of sampling.

Syntax

```
#Bulk Metric
```

Generic Database Alias

None.

Formula Editor Path

AP > Specific > Bulk > VOIP > Cisco > Perfmon

HuntlistCallsActive

Type

Import

Description

Total number of currently active huntlist calls.

Syntax

```
#Bulk Metric
```

Generic Database Alias

None.

Formula Editor Path

AP > Specific > Bulk > VOIP > Cisco > Perfmon

HuntlistCallsInProgress

Type

Import

Description

Total number of currently active huntlist calls.

Syntax

```
#Bulk Metric
```

Generic Database Alias

None.

Formula Editor Path

AP > Specific > Bulk > VOIP > Cisco > Perfmon

ICR

Type

Import

Description

Interval Conceal Ratio. The average concealment rate measured during the last three seconds of speech.

Syntax

```
#Bulk Metric
```

Generic Database Alias

None.

Formula Editor Path

AP > Specific > Bulk > VOIP > Cisco > CMR

ICRmx

Type

Import

Description

Maximum conceal ratio during a call.

Syntax

```
#Bulk Metric
```

Generic Database Alias

None.

Formula Editor Path

AP > Specific > Bulk > VOIP > Cisco > CMR

Inbound Loss (percent)

Type

Generic

Description

Of all inbound traffic received by this entity, the percentage of PDUs that either:

- Contained defects (such bad checksums or bad length) that prevented them from being deliverable to a higher-layer protocol.
- Were discarded even though no errors were detected (that is, due to congestion, policing, or resource limitations).
- Were discarded because they were of an unknown or unsupported protocol.

Alias For

No formulas are mapped to this alias.

Formula Editor Path

AP > Generic > Universal > Other

Incoming

Type

Import

Description

Identifies a call where caller is not an internal extension.

An Incoming call is also:

- An Inbound call
- An off-net call, coming from the PSTN

Syntax

#Bulk Metric

Generic Database Alias

None.

Formula Editor Path

AP > Specific > Bulk > VOIP > Cisco > CDR

Interface Availability (percent)

Type

Generic

Description

The percentage of time that this interface was in an operational state.

Alias For

Availability (percent)

Formula Editor Path

AP > Generic > Universal > Availability

Interface Availability (percent)

Type

SNMP (collection)

Description

Percentage of availability of a PSTN gateway interface.

Syntax

```
Def DefaultNoRespResult 0;  
Dim I1 AS Integer Default * NAME Interface;  
100 * abs( delta(sysUpTime.0) * (1 + distrib(ifOperStatus.%I1,"=1:1,=2:-1,=3:-1") )/2 - delta(sysUpTime.0)/2 * abs( delta(distrib(ifOperStatus.%I1,"=1:1,=2:-1,=3:-1"))/2 ) ) / delta(sysUpTime.0)
```

Generic Database Alias

None.

Formula Editor Path

AP > Specific > SNMP > VOIP > Cisco > PSTN Gateway > Interface

MIB

rfc1213-MIB-II

Interface Availability (percent)

Type

SNMP (collection)

Description

Interface availability percentage for a Cisco gatekeeper.

Syntax

```
Def DefaultNoRespResult 0;  
Dim I1 AS Integer Default * NAME Interface;  
100 * abs( delta(sysUpTime.0) * (1 + distrib(ifOperStatus.%I1,"=1:1,==2:-1,==3:-1") )/2 - delta(sysUpTime.0)/2 * abs( delta(distrib(ifOperStatus.%I1,"=1:1,==2:-1,==3:-1"))/2 ) ) / delta(sysUpTime.0)
```

Generic Database Alias

None.

Formula Editor Path

AP > Specific > SNMP > VOIP > Cisco > Gatekeeper > Interface

MIB

rfc1213-MIB-II

Interface Bandwidth Utilization In (percent)

Type

SNMP (collection)

Description

Inbound bandwidth utilization percentage for a PSTN gateway interface.

Syntax

```
Dim I1 AS Integer Default *;  
100 * 8 * delta(ifInOctets.%I1) / ((delta(sysUpTime.0) / 100) * ifSpeed.%I1) *  
distrib(delta(ifLastChange.%I1), "==0:1")
```

Generic Database Alias

None.

Formula Editor Path

AP > Specific > SNMP > VOIP > Cisco > PSTN Gateway > Interface

MIB

rfc1213-MIB-II

Interface Bandwidth Utilization In (percent)

Type

SNMP (collection)

Description

Inbound bandwidth utilization measured on a Gatekeeper interface.

Syntax

```
Dim I1 AS Integer Default *;  
100 * 8 * delta(ifInOctets.%I1) / ((delta(sysUpTime.0) / 100) * ifSpeed.%I1) *  
distrib(delta(ifLastChange.%I1), "==0:1")
```

Generic Database Alias

None.

Formula Editor Path

AP > Specific > SNMP > VOIP > Cisco > Gatekeeper > Interface

MIB

rfc1213-MIB-II

Interface Bandwidth Utilization Out (percent)

Type

SNMP (collection)

Description

Outbound bandwidth utilization percentage for a PSTN gateway interface.

Syntax

```
Dim I1 AS Integer Default *;  
100 * 8 * delta(ifOutOctets.%I1) / ((delta(sysUpTime.0) / 100) * ifSpeed.%I1) *  
distrib(delta(ifLastChange.%I1), "==0:1")
```

Generic Database Alias

None.

Formula Editor Path

AP > Specific > SNMP > VOIP > Cisco > PSTN Gateway > Interface

MIB

rfc1213-MIB-II

Interface Bandwidth Utilization Out (percent)

Type

SNMP (collection)

Description

Outbound bandwidth utilization measured on a Gatekeeper interface.

Syntax

```
Dim I1 AS Integer Default *;  
100 * 8 * delta(ifOutOctets.%I1) / ((delta(sysUpTime.0) / 100) * ifSpeed.%I1) *  
distrib(delta(ifLastChange.%I1), "==0:1")
```

Generic Database Alias

None.

Formula Editor Path

AP > Specific > SNMP > VOIP > Cisco > Gatekeeper > Interface

MIB

rfc1213-MIB-II

Interface Packet Loss (percent)

Type

SNMP (collection)

Description

Percentage of interface packet loss.

Syntax

```
Dim I1 AS Integer Default * NAME Interface;  
100 * (delta(ifInErrors.%I1) + delta(ifInUnknownProtos.%I1) +  
delta(ifInDiscards.%I1) + delta(ifOutErrors.%I1) + delta(ifOutDiscards.%I1)) /  
distrib(delta(ifInUcastPkts.%I1) + delta(ifInNUcastPkts.%I1) +  
delta(ifInDiscards.%I1) + delta(ifInErrors.%I1) + delta(ifInUnknownProtos.%I1) +  
delta(ifOutUcastPkts.%I1) + delta(ifOutNUcastPkts.%I1) + delta(ifOutDiscards.%I1)  
+ delta(ifOutErrors.%I1), "=="0:1,default:*)" * distrib(delta(sysUpTime.0),  
"default:1") * distrib(delta(ifLastChange.%I1), "=="0:1")
```

Generic Database Alias

None.

Formula Editor Path

AP > Specific > SNMP > VOIP > Cisco > PSTN Gateway > Interface

MIB

rfc1213-MIB-II

Interface Packet Loss (percent)

Type

SNMP (collection)

Description

Total percentage of packets lost for a gatekeeper interface.

Syntax

```
Dim I1 AS Integer Default * NAME Interface;  
100 * (delta(ifInErrors.%I1) + delta(ifInUnknownProtos.%I1) +  
delta(ifInDiscards.%I1) + delta(ifOutErrors.%I1) + delta(ifOutDiscards.%I1)) /  
distrib(delta(ifInUcastPkts.%I1) + delta(ifInNUcastPkts.%I1) +  
delta(ifInDiscards.%I1) + delta(ifInErrors.%I1) + delta(ifInUnknownProtos.%I1) +  
delta(ifOutUcastPkts.%I1) + delta(ifOutNUcastPkts.%I1) + delta(ifOutDiscards.%I1)  
+ delta(ifOutErrors.%I1), "=="0:1,default:*)" * distrib(delta(sysUpTime.0),  
"default:1") * distrib(delta(ifLastChange.%I1), "=="0:1")
```

Generic Database Alias

None.

Formula Editor Path

AP > Specific > SNMP > VOIP > Cisco > Gatekeeper > Interface

MIB

rfc1213-MIB-II

Interface Throughput In (kbps)

Type

SNMP (collection)

Description

Inbound interface throughput measured in kilobits per second.

Syntax

```
Dim I1 AS Integer Default * NAME Interface;  
(8 * delta(ifInOctets.%I1) / (delta(sysUpTime.0)/100))/1000 *  
distrib(delta(ifLastChange.%I1), "==0:1")
```

Generic Database Alias

None.

Formula Editor Path

AP > Specific > SNMP > VOIP > Cisco > PSTN Gateway > Interface

MIB

rfc1213-MIB-II

Interface Throughput In (kbps)

Type

SNMP (collection)

Description

Total inbound throughput for a Gatekeeper interface, measured in kilobits per second.

Syntax

```
Dim I1 AS Integer Default * NAME Interface;  
(8 * delta(ifInOctets.%I1) / (delta(sysUpTime.0)/100))/1000 *  
distrib(delta(ifLastChange.%I1), "==0:1")
```

Generic Database Alias

None.

Formula Editor Path

AP > Specific > SNMP > VOIP > Cisco > Gatekeeper > Interface

MIB

rfc1213-MIB-II

Interface Throughput Out (kbps)

Type

SNMP (collection)

Description

Outbound interface throughput measured in kilobits per second.

Syntax

```
Dim I1 AS Integer Default * NAME Interface;  
(8 * delta(ifOutOctets.%I1) / (delta(sysUpTime.0)/100))/1000 *  
distrib(delta(ifLastChange.%I1), "==0:1")
```

Generic Database Alias

None.

Formula Editor Path

AP > Specific > SNMP > VOIP > Cisco > PSTN Gateway > Interface

MIB

rfc1213-MIB-II

Interface Throughput Out (kbps)

Type

SNMP (collection)

Description

Total outbound throughput for a Gatekeeper interface, measured in kilobits per second.

Syntax

```
Dim I1 AS Integer Default * NAME Interface;  
(8 * delta(ifOutOctets.%I1) / (delta(sysUpTime.0)/100))/1000 *  
distrib(delta(ifLastChange.%I1), "==0:1")
```

Generic Database Alias

None.

Formula Editor Path

AP > Specific > SNMP > VOIP > Cisco > Gatekeeper > Interface

MIB

rfc1213-MIB-II

Internal

Type

Import

Description

A call between two internal extensions, managed by one or more CallManager clusters, where the caller and callee extension numbers are short, internal numbers.

An internal call can be:

- An outbound or inbound call
- A call between two IP phones from the same site
- A call between two IP phones from different sites
- A call between one IP phone and one legacy phone from the same site
- A call between one IP phone and one legacy phone from different sites
- An intrasite or intersite legacy PBX call
- An on-net call (pure IP network transit)
- An off-net call (IP to PSTN Gateway call)

An internal call can *never* be:

- A call between an internal extension and any external PSTN number.

Ranges of internal extensions are defined through `addExtensionRange()` methods in the `CCMConfig.js` file.

Syntax

```
#Bulk Metric
```

Generic Database Alias

None.

Formula Editor Path

AP > Specific > Bulk > VOIP > Cisco > CDR

International

Type

Import

Description

Identifies a call where the caller is an internal extension and the callee is an international external PSTN number, according to the numbering plan (NANP or other prefixes).

An international call is also:

- An outbound call
- An off-net call, routed towards the PSTN
- A toll bypassCall, if a remote PSTN Gateway is involved in the voice path

Syntax

#Bulk Metric

Generic Database Alias

None.

Formula Editor Path

AP > Specific > Bulk > VOIP > Cisco > CDR

IntersiteIPCall

Type

Import

Description

Identifies a specific internal Call where caller and callee are from different sites and are using a pure IP network transit path (that is, no PSTN Gateway is involved in the voice Path).

Syntax

#Bulk Metric

Generic Database Alias

None.

Formula Editor Path

AP > Specific > Bulk > VOIP > Cisco > CDR

IntersiteLegacyPBXCall

Type

Import

Description

Identifies a specific internal call where the caller and callee are from different sites and where the voice path goes through a PSTN Gateway.

The call can be between any of the following:

- One IP phone and one legacy phone from two different sites, according to their extension range number. The legacy phone is managed by a legacy PBX, which is interconnected to the CallManager through a PSTN Gateway.

In this case, the legacy phone is part of the company's internal dialplan, but is not at the same physical site.

- Two IP phones, which are part of the company's internal dialplan, are not on the same site, and are using a PSTN Gateway somewhere in the voice path.

Syntax

#Bulk Metric

Generic Database Alias

None.

Formula Editor Path

AP > Specific > Bulk > VOIP > Cisco > CDR

IntrasiteIPCall

Type

Import

Description

Identifies a specific internal Call where the caller and callee are both at the same site and are using a pure IP Network transit path (that is, no PSTN Gateway is involved in the voice path).

Ranges of internal extensions are defined for a specific site through `addExtensionRange()` methods called for the site object in the `CCMConfig.js` file.

Syntax

```
#Bulk Metric
```

Generic Database Alias

None.

Formula Editor Path

AP > Specific > Bulk > VOIP > Cisco > CDR

IntrasiteLegacyPBXCall

Type

Import

Description

Identifies a specific internal Call where the caller and callee are both at the same site, but where the voice path goes through a PSTN Gateway.

The call can be between one IP phone and one legacy phone from the same location, according to their extension range number.

The legacy phone is managed by a legacy PBX, which is interconnected to the CallManager through a PSTN Gateway. In this case, the legacy phone is part of the company's internal dialplan.

PSTN gateways and ranges of internal extensions are attached to a specific site through the methods `addPstnGatewayIpAddress()` and `addExtensionRange()`, respectively. These methods are called for a particular site object in the `CCMConfig.js` file.

Syntax

```
#Bulk Metric
```

Generic Database Alias

None.

Formula Editor Path

AP > Specific > Bulk > VOIP > Cisco > CDR

isCallee

Type

Import

Description

Identifies the callee portion of the call.

Syntax

```
#Bulk Metric
```

Generic Database Alias

None.

Formula Editor Path

AP > Specific > Bulk > VOIP > Cisco > CDR

isCaller

Type

Import

Description

Identifies the caller portion of the call.

Syntax

```
#Bulk Metric
```

Generic Database Alias

None.

Formula Editor Path

AP > Specific > Bulk > VOIP > Cisco > CDR

Jitter

Type

Import

Description

Provides an estimate of the statistical variance of the RTP data packet interval, in milliseconds.

This metric comes from the CMR table. It is set once the call is established. This metric is only available for IP phones.

Syntax

#Bulk Metric

Generic Database Alias

None.

Formula Editor Path

AP > Specific > Bulk > VOIP > Cisco > CMR

Latency

Type

Import

Description

An estimate of network latency, expressed in milliseconds.

This value represents the average of the difference between the NTP timestamp indicated by the RTP Control Protocol (RTCP) messages and the NTP timestamp of the receivers, measured when these messages are received.

Cisco CallManager obtains the average by summing all the estimates, and then dividing by the number of RTCP messages that have been received.

This metric comes from the CMR table. It is set once the call is established. This metric is only available for IP phones.

Syntax

```
#Bulk Metric
```

Generic Database Alias

None.

Formula Editor Path

AP > Specific > Bulk > VOIP > Cisco > CMR

Local

Type

Import

Description

Identifies a call where the caller is an internal extension and the callee is a local external PSTN number, according to the numbering plan (NANP or other prefixes).

A local call is also any of these call types:

- Outbound
- Off-net, routed towards the PSTN
- Toll bypass, if a remote PSTN Gateway is involved in the voice path

The file `CCMConfig.js` contains methods that specify local call prefixes for a given site. A phone number is determined to be a local number if its prefix matches a local prefix specified for a site object in `CCMConfig.js`.

Syntax

```
#Bulk Metric
```

Generic Database Alias

None.

Formula Editor Path

AP > Specific > Bulk > VOIP > Cisco > CDR

LongDistance

Type

Import

Description

Identifies a call where the caller is an internal extension and where the callee is a long distance external PSTN number, according to the numbering plan (NANP or other prefixes).

A long distance call is also any of these call types:

- Outbound
- Off-net, routed towards the PSTN
- Toll bypass, if a remote PSTN Gateway is involved in the voice path

Syntax

#Bulk Metric

Generic Database Alias

None.

Formula Editor Path

AP > Specific > Bulk > VOIP > Cisco > CDR

MLQKav

Type

Import

Description

Average MOS Listening Quality K-factor for a call

Syntax

```
#Bulk Metric
```

Generic Database Alias

None.

Formula Editor Path

AP > Specific > Bulk > VOIP > Cisco > CMR

MLQK

Type

Import

Description

MOS Listening Quality K-factor. This is an estimate of the MOS score of the last eight seconds of speech measured on the receiving end.

Syntax

```
#Bulk Metric
```

Generic Database Alias

None.

Formula Editor Path

AP > Specific > Bulk > VOIP > Cisco > CMR

MLQKmn

Type

Import

Description

Minimum MOS Listening Quality K-factor for the worst-sounding eight seconds.

Syntax

```
#Bulk Metric
```

Generic Database Alias

None.

Formula Editor Path

AP > Specific > Bulk > VOIP > Cisco > CMR

MOHMulticastResourceActive

Type

Import

Description

Total number of currently active message-on-hold multicast resources.

Syntax

```
#Bulk Metric
```

Generic Database Alias

None.

Formula Editor Path

AP > Specific > Bulk > VOIP > Cisco > Perfmon

MOHMulticastResourceAvailable

Type

Import

Description

Total number of available message-on-hold multicast resources.

Syntax

```
#Bulk Metric
```

Generic Database Alias

None.

Formula Editor Path

AP > Specific > Bulk > VOIP > Cisco > Perfmon

MOHTotalMulticastResources

Type

Import

Description

Total number of active and inactive message-on-hold multicast resources.

Syntax

```
#Bulk Metric
```

Generic Database Alias

None.

Formula Editor Path

AP > Specific > Bulk > VOIP > Cisco > Perfmon

MOHTotalUnicastResources

Type

Import

Description

Total number of active and inactive message-on-hold unicast resources.

Syntax

```
#Bulk Metric
```

Generic Database Alias

None.

Formula Editor Path

AP > Specific > Bulk > VOIP > Cisco > Perfmon

MOHUnicastResourceActive

Type

Import

Description

Total number of currently active message-on-hold unicast resources.

Syntax

```
#Bulk Metric
```

Generic Database Alias

None.

Formula Editor Path

AP > Specific > Bulk > VOIP > Cisco > Perfmon

MOHUnicastResourceAvailable

Type

Import

Description

Total number of available message-on-hold unicast resources.

Syntax

```
#Bulk Metric
```

Generic Database Alias

None.

Formula Editor Path

AP > Specific > Bulk > VOIP > Cisco > Perfmon

MOS

Type

Import

Description

The mean opinion score (MOS). This is a high-level metric.

In voice communications, particularly internet telephony, the MOS provides a numeric measure of the quality of human speech at the destination end of the circuit.

There is no algorithm for MOS calculations. This is a subjective metric based on the end-user's judgment of call quality.

The scheme uses subjective scores that are mathematically averaged to obtain a quantitative indicator of the performance. To determine MOS, a number of listeners rate the quality of test sentences read aloud over the communications circuit by male and female speakers. Listeners give each sentence a rating as follows:

- 1 (bad)
- 2 (poor)
- 3 (fair)
- 4 (good)
- 5 (excellent)

The MOS is the arithmetic mean of all the individual scores. It can range from 1 (worst) to 5 (best). In our context, our MOS calculation is based on the consolidation of Jitter, latency, and packets lost, which give a good overview of the real MOS value.

Syntax

```
#Bulk Metric
```

Generic Database Alias

None.

Formula Editor Path

AP > Specific > Bulk > VOIP > Cisco > CDR

NbPacketsLost

Type

Import

Description

Number of packets the sub-element lost during a call.

This metric comes from the CMR table. It is set once the call is established. This metric is only available for IP phones.

Syntax

#Bulk Metric

Generic Database Alias

None.

Formula Editor Path

AP > Specific > Bulk > VOIP > Cisco > CMR

NbPacketsReceived

Type

Import

Description

Number of packets that the sub-element received during a call.

This metric comes from the CMR table. It is set once the call is established. This metric is only available for IP phones.

Syntax

#Bulk Metric

Generic Database Alias

None.

Formula Editor Path

AP > Specific > Bulk > VOIP > Cisco > CMR

NbPacketsSent

Type

Import

Description

Number of packets that the sub-element sent during a call.

This metric comes from the CMR table. It is set once the call is established. This metric is only available for IP phones.

Syntax

#Bulk Metric

Generic Database Alias

None.

Formula Editor Path

AP > Specific > Bulk > VOIP > Cisco > CMR

OffNet

Type

Import

Description

Identifies a call where at least one PSTN Gateway is involved in the voice path, with the following criteria:

- Inbound or outbound call
- Internal call or call to/from a PSTN number
- Intersite or intrasite legacy PBX call

Syntax

#Bulk Metric

Generic Database Alias

None.

Formula Editor Path

AP > Specific > Bulk > VOIP > Cisco > CDR

OnNet

Type

Import

Description

Identifies a call where both the caller and callee are internal extensions, from the same site or different sites, with the following criteria:

- Outbound call
- Internal call
- Intersite or intrasite IP call
- No PSTN Gateway is involved in the voice path
- The call is a pure IP to IP call

Syntax

```
#Bulk Metric
```

Generic Database Alias

None.

Formula Editor Path

AP > Specific > Bulk > VOIP > Cisco > CDR

Outbound Loss (percent)

Type

Generic

Description

Out of all outbound traffic to be sent by this entity, the percentage of PDUs that either:

- Contained defects that prevented them from being transferable
- Were discarded even though no errors were detected (that is, due to congestion or resource limitations)

Alias For

No formulas are mapped to this alias.

Formula Editor Path

AP > Generic > Universal > Other

Percentage of Company Calls (percent) CME(Bulk) VOIP Cisco

Type

CME

Description

Ratio between company calls and the total number of calls.

For a definition of company calls, see `Cluster Total Number of Company Calls (Nb)`.

Syntax

```
(isCaller + isCallee) = 0 ifTrue: [^nil].
```

```
^(100*((IntrasiteIPCalls+IntersiteIPCalls+IntrasiteLegacyPBXCalls+IntersiteLegacyPBXCalls)/(isCaller+isCallee)))
```

Formula Input

Input: IntersiteIPCalls

Source: [IntersiteIPCall](#) (Formula)

Input: IntersiteLegacyPBXCalls

Source: [IntersiteLegacyPBXCall](#) (Formula)

Input: IntrasiteIPCalls

Source: [IntrasiteIPCall](#) (Formula)

Input: IntrasiteLegacyPBXCalls

Source: [IntrasiteLegacyPBXCall](#) (Formula)

Input: isCallee

Source: [isCallee](#) (Formula)

Input: isCaller

Source: [isCaller](#) (Formula)

Generic Database Alias

None.

Formula Editor Path

AP > Specific > CME > VOIP > Cisco

Percentage of Drop Calls (percent) CME(Bulk) VOIP Cisco

Type

CME

Description

Ratio between dropped calls and the total number of calls.

Syntax

```
(isCaller + isCallee) = 0 ifTrue: [^nil].  
^(100*(DropCalls/(isCaller + isCallee)))
```

Formula Input

Input: DropCalls
Source: [DropCall](#) (Formula)

Input: isCallee
Source: [isCallee](#) (Formula)

Input: isCaller
Source: [isCaller](#) (Formula)

Generic Database Alias

None.

Formula Editor Path

AP > Specific > CME > VOIP > Cisco

Percentage of Packet Lost (percent) CME(Bulk) VOIP Cisco

Type

CME

Description

Ratio between packets lost and the total number of packets sent and received.

Syntax

$^{(100 * (NbPacketsLost / (NbPacketsReceived + NbPacketsSent)))}$

Formula Input

Input: NbPacketsLost

Source: [NbPacketsLost](#) (Formula)

Input: NbPacketsReceived

Source: [NbPacketsReceived](#) (Formula)

Input: NbPacketsSent

Source: [NbPacketsSent](#) (Formula)

Generic Database Alias

None.

Formula Editor Path

AP > Specific > CME > VOIP > Cisco

Percentage of Successful Calls (Nb) CME(Bulk) VOIP Cisco

Type

CME

Description

Ratio between the number of successful calls and the total number of calls.

Syntax

```
(successful+unsuccessful) = 0 ifTrue: [^nil].  
^(100*(successful/(successful+unsuccessful)))
```

Formula Input

Input: successful

Source: [SuccessfulCall](#) (Formula)

Input: unsuccessful

Source: [UnsuccessfulCall](#) (Formula)

Generic Database Alias

None.

Formula Editor Path

AP > Specific > CME > VOIP > Cisco

Percentage of TollBypass Calls (percent) CME(Bulk) VOIP Cisco

Type

CME

Description

Ratio between toll bypass calls and the total number of calls.

Syntax

```
(isCaller + isCallee) = 0 ifTrue: [^nil].  
^(100*(TollBypassCall/(isCaller + isCallee)))
```

Formula Input

Input: isCallee
Source: [isCallee](#) (Formula)

Input: isCaller
Source: [isCaller](#) (Formula)

Input: TollBypassCall
Source: [TollBypassCall](#) (Formula)

Generic Database Alias

None.

Formula Editor Path

AP > Specific > CME > VOIP > Cisco

PSTN Gateway Active DS0 Channels (Nb) (Gauge)

Type

SNMP (collection)

Description

The total number of currently active DS0 channels for a PSTN gateway PRI.

Syntax

```
DEF SaveAlias 10703;  
cpmActiveDS0s.0
```

Generic Database Alias

[PSTN Gateway Active DS0 Channels \(Nb\)](#)

Formula Editor Path

AP > Specific > SNMP > VOIP > Cisco > PSTN Gateway > POP DS0 Channel Usage

MIB

CISCO-POP-MGMT-MIB.my

PSTN Gateway Active DS0 Channels (Nb) (Gauge)

Type

SNMP (collection)

Description

The total number of currently active DS0 channels for a PSTN gateway.

Syntax

```
DEF SaveAlias 10703;  
Dim I0 AS Integer Default * NAME If;  
V1=OIDVAL( 8 * delta(ifOutOctets.%I0) );  
V2=OIDVAL(delta(sysUpTime.0)/100) ;  
V3=OIDVAL((%V1/%V2)/64000);  
V4=OIDVAL(int(%V3));  
V5=OIDVAL(distrib(ifType.%I0, "==18:1,default:0"));  
Sum(*, %V4*%V5)
```

Generic Database Alias

PSTN Gateway Active DS0 Channels (Nb)

Formula Editor Path

AP > Specific > SNMP > VOIP > Cisco > PSTN Gateway > 6500 DS0 Channel

MIB

rfc2233-IF-MIB

rfc1213-MIB-II

PSTN Gateway Active DS0 Channels (Nb)

Type

Generic

Description

The total number of active DS0 channels for all of the enabled PRIs in a PSTN device.

Alias For

[PSTN Gateway Active DS0 Channels \(Nb\) \(Gauge\)](#)

[PSTN Gateway Active DS0 Channels \(Nb\) \(Gauge\)](#)

[PSTN Gateway Total Active DS0 Channels \(Nb\) \(Gauge\)](#)

Formula Editor Path

AP > Generic > VOIP > Cisco > PSTN Gateway

PSTN Gateway Call Setup Quality (percent) (Successful / Total)

Type

Generic

Description

Percentage of successful call setups for a PSTN gateway device.

Alias For

PSTN Gateway Call Setup Quality (percent) (successful / Total)

PSTN Gateway Call Setup Quality (percent) (successful / unsuccessful)

Formula Editor Path

AP > Generic > VOIP > Cisco > PSTN Gateway

PSTN Gateway Call Setup Quality (percent) (successful / Total)

Type

SNMP (collection)

Description

The percentage of successful call setups for a PSTN gateway device.

Syntax

```
DEF SaveAlias 10708;  
V1= OIDVAL(sum(*, delta(isdnSigStatsInCalls.*)));  
V2= OIDVAL(sum(*, delta(isdnSigStatsOutCalls.*)));  
V3= OIDVAL(sum(*, delta(isdnSigStatsInConnected.*)));  
V4= OIDVAL(sum(*, delta(isdnSigStatsOutConnected.*)));  
100*((%V3+%V4) / (%V1+%V2))
```

Generic Database Alias

PSTN Gateway Call Setup Quality (percent) (Successful / Total)

Formula Editor Path

AP > Specific > SNMP > VOIP > Cisco > PSTN Gateway > ISDN DS0 Channel Usage

MIB

rfc2127-ISDN-MIB

PSTN Gateway Call Setup Quality (percent) (successful / unsuccessful)

Type

SNMP (collection)

Description

Total call setup quality for a PSTN device (successful/unsuccessful).

Syntax

```
DEF SaveAlias 10708;  
100*(delta(cpmCallVolSuccISDNDigital.0) / delta(cpmCallVolSuccISDNDigital.0) +  
delta(cpmISDNCallsRejected.0) + delta(cpmISDNCallsClearedAbnormally.0) +  
delta(cpmISDNNoResource.0))
```

Generic Database Alias

PSTN Gateway Call Setup Quality (percent) (Successful / Total)

Formula Editor Path

AP > Specific > SNMP > VOIP > Cisco > PSTN Gateway > POP DS0 Channel Usage

MIB

CISCO-POP-MGMT-MIB.my

PSTN Gateway DS1 Active DS0 Channels (Nb)

Type

SNMP (collection)

Description

Number of active DS0 channels that are active for a specific serial E1/T1 interface.

Because there is no specific OID for this measurement in the MIB, this metric assumes the following:

- 1 Call = 1 DS0 Channel = 64 kbps
- Throughput (in or out) / 64000 = Active Channels

Syntax

```
Dim I1 AS Integer Default * NAME If;
V1=OIDVAL( 8 * delta(ifOutOctets.%I1) );
V2=OIDVAL(delta(sysUpTime.0)/100);
V3=OIDVAL((%V1/%V2)/64000);
V4=OIDVAL(int(%V3));
V5=OIDVAL(distrib(ifType.%I1, "18:1,default:0"));
%V4*%V5
```

Generic Database Alias

None.

Formula Editor Path

AP > Specific > SNMP > VOIP > Cisco > PSTN Gateway > 6500 DS0 Channel

MIB

rfc1907-SNMPv2-MIB

rfc2233-IF-MIB

PSTN Gateway ICMP Inbound Errors (percent)

Type

SNMP (collection)

Description

Percentage of inbound ICMP errors.

Syntax

```
(100*(delta icmpInErrors.0)/distrib(delta icmpInMsgs.0), "=="0:1,  
default:*"))*distrib(delta sysUpTime.0), "default:1");
```

Generic Database Alias

None.

Formula Editor Path

AP > Specific > SNMP > VOIP > Cisco > PSTN Gateway > Device

MIB

rfc1213-MIB-II

PSTN Gateway ICMP Outbound Errors (percent)

Type

SNMP (collection)

Description

Percentage of outbound SNMP errors.

Syntax

```
(100*(delta icmpOutErrors.0)/distrib(delta icmpOutMsgs.0), "==0:1, default:*"))*distrib(delta sysUpTime.0, "default:1");
```

Generic Database Alias

None.

Formula Editor Path

AP > Specific > SNMP > VOIP > Cisco > PSTN Gateway > Device

MIB

rfc1213-MIB-II

PSTN Gateway Network Errors (percent)

Type

SNMP (collection)

Description

Percentage of network errors observed by a PSTN gateway.

Syntax

```
distrib(delta(sysUpTime.0), "default:1") *  
((delta(ipOutDiscards.0)+delta(ipInDiscards.0)+delta(ipOutNoRoutes.0)+delta icmp  
InErrors.0)+delta(icmpOutErrors.0))/(delta(ipForwDatagrams.0) +  
delta(ipOutRequests.0) + delta(ipInReceives.0))*100
```

Generic Database Alias

None.

Formula Editor Path

AP > Specific > SNMP > VOIP > Cisco > PSTN Gateway > Device

MIB

rfc1213-MIB-II

PSTN Gateway Packet Discards

Type

SNMP (collection)

Description

The total number of PSTN Gateway packets discarded.

Syntax

```
distrib(delta(sysUpTime.0), "default:1") *  
((delta(ipOutDiscards.0)+delta(ipInDiscards.0))/(delta(ipForwDatagrams.0) +  
delta(ipOutRequests.0) + delta(ipInReceives.0)))*100
```

Generic Database Alias

None.

Formula Editor Path

AP > Specific > SNMP > VOIP > Cisco > PSTN Gateway > Device

MIB

rfc1213-MIB-II

PSTN Gateway Total Active DS0 Channels (Nb) (Gauge)

Type

SNMP (collection)

Description

The total number of currently active DS0 channels for a PSTN Gateway.

Syntax

```
DEF SaveAlias 10703;  
V1= OIDVAL(sum(*, distrib(isdnBearerOperStatus.%I1,  
"==1:0,==2:0,==3:0,==4:1")));  
%V1
```

Generic Database Alias

PSTN Gateway Active DS0 Channels (Nb)

Formula Editor Path

AP > Specific > SNMP > VOIP > Cisco > PSTN Gateway > ISDN DS0 Channel Usage

MIB

rfc2127-ISDN-MIB

PSTN Gateway Total Call Signaling Errors (Nb)

Type

SNMP (collection)

Description

The total number of signaling errors observed for a PSTN Gateway.

Syntax

```
DEF SaveAlias 10707;  
delta(cpmISDNCallsRejected.0) + delta(cpmISDNCallsClearedAbnormally.0) +  
delta(cpmISDNNoResource.0)
```

Generic Database Alias

PSTN Gateway Total Number of Unsuccessful Calls (Nb)

Formula Editor Path

AP > Specific > SNMP > VOIP > Cisco > PSTN Gateway > POP DS0 Channel Usage

MIB

CISCO-POP-MGMT-MIB.my

PSTN Gateway Total Calls per minute (calls/mn) (sum of all DS0s)

Type

SNMP (collection)

Description

The total calls per minute summed for all configured PRIs on a PSTN Gateway.

Syntax

```
DEF SaveAlias 10705;  
V1= OIDVAL(sum(*,  
(delta(cpmCallCount.%I1.%I2.%I3)/(delta(sysUpTime.0)/100))/60));  
%V1
```

Generic Database Alias

PSTN Gateway Total Number of Calls per mn (Calls/mn)

Formula Editor Path

AP > Specific > SNMP > VOIP > Cisco > PSTN Gateway > POP DS0 Channel Usage

MIB

CISCO-POP-MGMT-MIB.my
rfc1213-MIB-II

PSTN Gateway Total Number Calls Rejected (Nb)

Type

SNMP (collection)

Description

The total number of rejected calls for a PSTN Gateway.

Syntax

```
DEF SaveAlias 10707;
V1= OIDVAL(distrib(delta(sysUpTime.0), "default:1") * sum(*,
delta(isdnSigStatsOutConnected.*)));
V2= OIDVAL(distrib(delta(sysUpTime.0), "default:1") * sum(*,
delta(isdnSigStatsOutCalls.*)));
V3= OIDVAL(distrib(delta(sysUpTime.0), "default:1") * sum(*,
delta(isdnSigStatsInConnected.*)));
V4= OIDVAL(distrib(delta(sysUpTime.0), "default:1") * sum(*,
delta(isdnSigStatsInCalls.*)));
(%V2-%V1) + (%V4-%V3)
```

Generic Database Alias

PSTN Gateway Total Number of Unsuccessful Calls (Nb)

Formula Editor Path

AP > Specific > SNMP > VOIP > Cisco > PSTN Gateway > ISDN DS0 Channel Usage

MIB

rfc2127-ISDN-MIB

rfc1213-MIB-II

PSTN Gateway Total Number of Calls (Nb)

Type

Generic

Description

The total number of calls for a PSTN device.

Alias For

PSTN Gateway Total Number of Calls

PSTN Gateway Total Number of Calls (sum of all DS0s)

Formula Editor Path

AP > Generic > VOIP > Cisco > PSTN Gateway

PSTN Gateway Total Number of Calls (sum of all DS0s)

Type

SNMP (collection)

Description

The total number of currently active calls for all DS0s configured in a PSTN Gateway.

Syntax

```
DEF SaveAlias 10704;  
V1= OIDVAL(sum(*, delta(cpmCallCount.%I1.%I2.%I3)));  
%V1
```

Generic Database Alias

PSTN Gateway Total Number of Calls (Nb)

Formula Editor Path

AP > Specific > SNMP > VOIP > Cisco > PSTN Gateway > POP DS0 Channel Usage

MIB

CISCO-POP-MGMT-MIB.my

PSTN Gateway Total Number of Calls per mn (Calls/mn)

Type

Generic

Description

The total number of calls per minute for a PSTN device.

Alias For

PSTN Gateway Total Calls per minute (calls/mn) (sum of all DS0s)

PSTN Gateway Total Number of Calls per mn (Calls/mn)

Formula Editor Path

AP > Generic > VOIP > Cisco > PSTN Gateway

PSTN Gateway Total Number of Calls per mn (Calls/mn)

Type

SNMP (collection)

Description

The total number of calls per minute for a PSTN Gateway.

Syntax

```
DEF SaveAlias 10705;  
V1 = OIDVAL(sum(*, delta(isdnSigStatsInCalls.*)));  
V2 = OIDVAL(sum(*, delta(isdnSigStatsOutCalls.*)));  
V3 = (%V1+%V2)/(delta(sysUpTime.0)/100);  
V4 = %V3/60;  
%V4
```

Generic Database Alias

PSTN Gateway Total Number of Calls per mn (Calls/mn)

Formula Editor Path

AP > Specific > SNMP > VOIP > Cisco > PSTN Gateway > ISDN DS0 Channel Usage

MIB

rfc2127-ISDN-MIB

PSTN Gateway Total Number of Calls

Type

SNMP (collection)

Description

The total number of calls observed by a PSTN Gateway.

Syntax

```
DEF SaveAlias 10704;  
V1= OIDVAL(distrib(delta(sysUpTime.0), "default:1") * sum(*,  
delta(isdnSigStatsInCalls.*)));  
V2= OIDVAL(distrib(delta(sysUpTime.0), "default:1") * sum(*,  
delta(isdnSigStatsOutCalls.*)));  
%V1 + %V2
```

Generic Database Alias

PSTN Gateway Total Number of Calls (Nb)

Formula Editor Path

AP > Specific > SNMP > VOIP > Cisco > PSTN Gateway > ISDN DS0 Channel Usage

MIB

rfc2127-ISDN-MIB

rfc1213-MIB-II

PSTN Gateway Total Number of Successful Calls (Nb)

Type

Generic

Description

The total number of successful calls for a PSTN gateway device.

Alias For

PSTN Gateway Total Number of Successful Calls (Nb)

PSTN Gateway Total Number of Successful Calls (Nb)

Formula Editor Path

AP > Generic > VOIP > Cisco > PSTN Gateway

PSTN Gateway Total Number of Successful Calls (Nb)

Type

SNMP (collection)

Description

The total number of successful calls for a PSTN Gateway.

Syntax

```
DEF SaveAlias 10706;  
delta(cpmCallVolSuccISDNDigital.0)
```

Generic Database Alias

PSTN Gateway Total Number of Successful Calls (Nb)

Formula Editor Path

AP > Specific > SNMP > VOIP > Cisco > PSTN Gateway > POP DS0 Channel Usage

MIB

CISCO-POP-MGMT-MIB.my

PSTN Gateway Total Number of Successful Calls (Nb)

Type

SNMP (collection)

Description

The total number of successful calls made through a PSTN Gateway.

Syntax

```
DEF SaveAlias 10706;  
V1= OIDVAL(distrib(delta(sysUpTime.0), "default:1") * sum(*,  
delta(isdnSigStatsInConnected.*)));  
V2= OIDVAL(distrib(delta(sysUpTime.0), "default:1") * sum(*,  
delta(isdnSigStatsOutConnected.*)));  
%V1+%V2
```

Generic Database Alias

PSTN Gateway Total Number of Successful Calls (Nb)

Formula Editor Path

AP > Specific > SNMP > VOIP > Cisco > PSTN Gateway > ISDN DS0 Channel Usage

MIB

rfc1213-MIB-II

rfc2127-ISDN-MIB

PSTN Gateway Total Number of Unsuccessful Calls (Nb)

Type

Generic

Description

The total number of unsuccessful calls for a PSTN gateway device.

Alias For

[PSTN Gateway Total Call Signaling Errors \(Nb\)](#)

[PSTN Gateway Total Number Calls Rejected \(Nb\)](#)

Formula Editor Path

AP > Generic > VOIP > Cisco > PSTN Gateway

PSTN Gateway Total Packets per Second

Type

SNMP (collection)

Description

The total number of packets per second for a PSTN Gateway.

Syntax

```
(delta(ipForwDatagrams.0) + delta(ipOutRequests.0) +  
delta(ipInReceives.0)) / (delta(sysUpTime.0) / 100)
```

Generic Database Alias

None.

Formula Editor Path

AP > Specific > SNMP > VOIP > Cisco > PSTN Gateway > Device

MIB

rfc1213-MIB-II

SCS

Type

Import

Description

Severely concealed seconds. Concealment lasting longer than fifty milliseconds or five percent of the voice traffic.

Syntax

```
#Bulk Metric
```

Generic Database Alias

None.

Formula Editor Path

AP > Specific > Bulk > VOIP > Cisco > CMR

ShortCall

Type

Import

Description

Identifies a call successfully established, but with a call duration of less than one second. In this case, the CallManager set the *CallDuration* value to 0 in the CDR table.

A short call is also:

- A successful call
- Any inbound, outbound, or other type of call described in this chapter

Syntax

```
#Bulk Metric
```

Generic Database Alias

None.

Formula Editor Path

AP > Specific > Bulk > VOIP > Cisco > CDR

SIPCallsActive

Type

Import

Description

Total number of currently active SIP calls for the resource or resources specified.

Syntax

```
#Bulk Metric
```

Generic Database Alias

None.

Formula Editor Path

AP > Specific > Bulk > VOIP > Cisco > Perfmon

SIPCallsInProgress

Type

Import

Description

Total number of SIP calls being established at the time of sampling.

Syntax

```
#Bulk Metric
```

Generic Database Alias

None.

Formula Editor Path

AP > Specific > Bulk > VOIP > Cisco > Perfmon

SNMP Availability (percent) (avg last hour)

Type

SNMP (collection)

Description

The average of SNMP availability percentages over the last hour, for CallManager devices.

Syntax

```
Stat( "Targets" , %H1 , "SNMP Availability (%) [last hour]" )
```

Generic Database Alias

None.

Formula Editor Path

AP > Specific > SNMP > VOIP > Cisco > CCM Server > Device

SNMP Availability (percent) (avg last hour)

Type

SNMP (collection)

Description

The average of SNMP availability percentages over the last hour, for PSTN Gateway devices.

Syntax

```
Stat( "Targets" , %H1 , "SNMP Availability (%) [last hour]" )
```

Generic Database Alias

None.

Formula Editor Path

AP > Specific > SNMP > VOIP > Cisco > PSTN Gateway > Device

SNMP Availability (percent) (avg last hour)

Type

SNMP (collection)

Description

The average of SNMP availability percentages over the last hour, for Cisco Gatekeeper devices.

Syntax

```
Stat( "Targets" , %H1 , "SNMP Availability (%) [last hour]" )
```

Generic Database Alias

None.

Formula Editor Path

AP > Specific > SNMP > VOIP > Cisco > Gatekeeper > Device

SNMP Availability (percent) (avg last hour)

Type

SNMP (collection)

Description

Netcool/Proviso performance Metric. Works with PVL 1.2 or better.

Syntax

```
Stat( "Targets" , %H1 , "SNMP Availability (%) [last hour]" )
```

Generic Database Alias

None.

Formula Editor Path

AP > PROVISO > Targets

SNMP Response Time (ms) (avg last hour)

Type

SNMP (collection)

Description

The average of SNMP packet response times, in milliseconds, over the last hour, for CallManager Server devices.

Syntax

```
Stat( "Targets" , %H1 , "Average SNMP Response Time (ms) [last hour]" )
```

Generic Database Alias

None.

Formula Editor Path

AP > Specific > SNMP > VOIP > Cisco > CCM Server > Device

SNMP Response Time (ms) (avg last hour)

Type

SNMP (collection)

Description

The average of SNMP packet response times, in milliseconds, over the last hour, for PSTN Gateway devices.

Syntax

```
Stat( "Targets" , %H1 , "Average SNMP Response Time (ms) [last hour]" )
```

Generic Database Alias

None.

Formula Editor Path

AP > Specific > SNMP > VOIP > Cisco > PSTN Gateway > Device

SNMP Response Time (ms) (avg last hour)

Type

SNMP (collection)

Description

Netcool/Proviso performance metric. Works with PVL 1.2 or better.

Syntax

```
Stat( "Targets" , %H1 , "Average SNMP Response Time (ms) [last hour]" )
```

Generic Database Alias

None.

Formula Editor Path

AP > PROVISO > Targets

SNMP Unavailable (percent) (avg last hour)

Type

CME

Description

The average of SNMP unavailability percentages over the last hour.

Syntax

$^{(100 - avail)}$

Formula Input

Input: avail

Source: SNMP Availability (percent) (avg last hour) (Formula)

Generic Database Alias

None.

Formula Editor Path

AP > PROVISO > Targets

SuccessfulCall

Type

Import

Description

Identifies a call successfully established. Once the call is established, the communication starts between the two parties.

A successful call can be inbound, outbound, or any other type of call described in this chapter.

Syntax

```
#Bulk Metric
```

Generic Database Alias

None.

Formula Editor Path

AP > Specific > Bulk > VOIP > Cisco > CDR

T1ChannelsActive

Type

Import

Description

Total number of T1 channels currently in use in the target device.

Syntax

```
#Bulk Metric
```

Generic Database Alias

None.

Formula Editor Path

AP > Specific > Bulk > VOIP > Cisco > Perfmon

T1SpansInService

Type

Import

Description

Total number of T1 spans available in the target device.

Syntax

```
#Bulk Metric
```

Generic Database Alias

None.

Formula Editor Path

AP > Specific > Bulk > VOIP > Cisco > Perfmon

TollbypassCallDuration

Type

Import

Description

The duration of a toll bypass call, in seconds.

Syntax

```
#Bulk Metric
```

Generic Database Alias

None.

Formula Editor Path

AP > Specific > Bulk > VOIP > Cisco > CDR

TollBypassCall

Type

Import

Description

Identifies a call where the caller is an internal extension managed by the CallManager, and where the callee can be an internal extension or any external PSTN number, with one or more of the following criteria:

- Outbound call
- Off-net call
- The call is going through a PSTN Gateway, and the caller site and PSTN Gateway site are different

An intersite legacy PBX call can be also a toll bypass call if the PSTN Gateway site is different from the caller site.

Toll bypass calls can save money on long distance or international calls by using a remote PSTN Gateway with local fees. For example: A caller in Boston makes a call to an external PSTN number in London. Because there is an IP-VPN between the Boston office and the London office with a PSTN Gateway in London, the call goes through the IP network until the London office's PSTN Gateway.

Syntax

```
#Bulk Metric
```

Generic Database Alias

None.

Formula Editor Path

AP > Specific > Bulk > VOIP > Cisco > CDR

Total Number of Calls (Nb) CME(Bulk) VOIP Cisco

Type

CME

Description

The total number of calls for all callers and callees.

Syntax

`^(isCaller + isCallee)`

Formula Input

Input: isCallee

Source: isCallee (Formula)

Input: isCaller

Source: isCaller (Formula)

Generic Database Alias

None.

Formula Editor Path

AP > Specific > CME > VOIP > Cisco

Total Number of Outgoing External Calls (Nb)

Type

CME

Description

The total number of outbound calls going to the PSTN.

An outgoing external call can be any of these call types:

- Local
- Long distance
- International

This metric is a subset of the `Cluster Total Number of External Calls (Nb)`.

Syntax

$^{(Local + International + LongDistance)}$

Formula Input

Input: International
Source: [International](#) (Formula)

Input: Local
Source: [Local](#) (Formula)

Input: LongDistance
Source: [LongDistance](#) (Formula)

Generic Database Alias

None.

Formula Editor Path

AP > Specific > CME > VOIP > Cisco

Total Number of VoiceMail Direct Calls (Nb) CME(Bulk) VOIP Cisco

Type

CME

Description

The total number of voicemail calls that are direct calls to voicemail (that is, users calling voicemail directly rather than being forwarded). This metric is the opposite of `ForwardToVoiceMail`.

Syntax

```
^(VoiceMailCall - ForwardCallToVoiceMail)
```

Formula Input

Input: `ForwardCallToVoiceMail`

Source: `ForwardToVoiceMail` (Formula)

Input: `VoiceMailCall`

Source: `VoiceMailCall` (Formula)

Generic Database Alias

None.

Formula Editor Path

AP > Specific > CME > VOIP > Cisco

UnsuccessfulCall

Type

Import

Description

Identifies a call that has not been successfully established. In this case, the call setup has been rejected, and the communication between the two parties never started.

An unsuccessful call can be inbound, outbound, or any other type of call described in this chapter.

Syntax

#Bulk Metric

Generic Database Alias

None.

Formula Editor Path

AP > Specific > Bulk > VOIP > Cisco > CDR

VoicemailCallDuration

Type

Import

Description

Duration of a call with the voicemail application, in seconds.

Syntax

```
#Bulk Metric
```

Generic Database Alias

None.

Formula Editor Path

AP > Specific > Bulk > VOIP > Cisco > CDR

VoiceMailCall

Type

Import

Description

Identifies a call where the final destination (callee) is voicemail. The voicemail application is managed through a specific range of extensions numbers, defined site by site, using the global variable *VoiceMailExtensionRange*.

Syntax

```
#Bulk Metric
```

Generic Database Alias

None.

Formula Editor Path

AP > Specific > Bulk > VOIP > Cisco > CDR

VoicemailPackets

Type

Import

Description

Number of packets that the sub-element sent and received during a voicemail call.

This metric comes from the CMR table. It is set once the call is established with one of the voicemail extensions.

Syntax

#Bulk Metric

Generic Database Alias

None.

Formula Editor Path

AP > Specific > Bulk > VOIP > Cisco > CDR

NOTES

Chapter 8: Discovery Formulas

This chapter discusses the following topics:

Topic	Page
<i>Overview</i>	425
<i>Netcool/Proviso Discovery Formula Tree</i>	425
<i>Discovery Formula Structure</i>	426

Overview

A discovery formula (also called an inventory formula) allows Netcool/Proviso to recognize resources specific to the target devices and technologies supported in the Cisco IP Telephony environment so that information can then be collected on those resources. A discovery formula runs during the **inventory** process - the process of discovering and analyzing the network. Discovery formulas for some network interfaces and devices (for example, Frame Relay) are already included with Netcool/Proviso DataMart.

The Cisco IP Telephony Technology Pack provides discovery formulas specific to the devices and technologies that operate in the Cisco IP Telephony environment. This user guide discusses the discovery formulas that the Cisco IP Telephony Technology Pack provides.

Netcool/Proviso Discovery Formula Tree

The Cisco IP Telephony Technology Pack provides a formula tree where the SNMP discovery formulas are defined in the Netcool/Proviso database. On the following pages, the path that is defined for each formula reflects that formula's location in the formula tree. You can access this directory using the Netcool/Proviso DataMart Formula Selector. See the *Netcool/Proviso DataMart Configuration Guide* for more information.

Discovery Formula Structure

A discovery formula typically has three sections:

- **Instance variable declaration.** Instance variables represent the input values for a formula. The following line is an example of an instance variable declaration:

```
Dim I1 AS Integer Default * NAME RTTMonIndex;
```

- **Temporary variable definition.** Temporary variables hold the result of an SNMP query. These variables can then be used as parameters in subsequent queries. The following line is an example of a temporary variable definition:

```
V01=OIDINST(rtTMonCtrlAdminStatus.%I1==1, once);
```

- **Results line.** The last line in the formula returns the formula result. The results line includes a sub-element instance string and a set of sub-element properties.

See the *Netcool/Proviso SNMP Formula Language Guide* for detailed information about the syntax used to write discovery formulas.

The Results Line

The discovery formula results line has four fields. Fields are delimited by a double-bar (| |):

- Field 1 specifies the sub-element instance string transmitted to each collection formula when the specified sub-element is deployed for collection. The instance string for a given sub-element appears in the **instance** field (**Sub-Element** view) of the Netcool/Proviso DataMart Resource Editor.
- Field 2 specifies the custom label of a sub-element. The custom label for a given sub-element appears in the **label** field (**Sub-Element** view) of the Netcool/Proviso DataMart Resource Editor.

The custom label may also display in reports that show statistics for a sub-element. The custom label typically displays under some Name, Device Name, or some similar column.

- Field 3 defines the property list (as name/value pairs). The property list for a given sub-element appears in the **Property** and **Value** columns (**Sub-Element** view) of the Netcool/Proviso DataMart Resource Editor.
- Field 4 is an optional field that, if specified, contains the invariant of the sub-element. The invariant is used during the synchronization process to detect a change of element properties, including the instance string (the first field).

***Note:** The results line must appear as a single line in the formula.*

CCM_Gateway_Device

Type

SNMP (discovery)

Description

Sub-element discovery for CallManager gateways through the CCM MIB. This allows the retrieval of gateway registration status with the CallManager during collection.

Syntax

```
Dim I1 AS Integer Default * NAME Gateway;
V1 = OIDVAL(ccmGatewayInetAddress.%I1 format clean, once);
V2=OIDVAL(ccmClusterId.1);
V3=OIDVAL(ccmGatewayType.%I1);
V4 = OIDINST( not (ccmGatewayDescription.%I1 like ""));
V5 = OIDVAL(ccmGatewayDescription.%V4, once);
%V1 index "Gateway<%I1>|Gateway:
%V1|VoIPCallMgrGatewayName<%V5>VoIPCallMgrClusterId<%V2>VoIPCallMgrGatewayType<
%V3>VoIPCallMgrGatewayIpAddress<%V1>| |%V2_%V5| |";
```

Formula Editor Path

Alias Instance and Label Inventory > AP > VOIP > Cisco

MIB

CISCO-CCM-MIB.my

CCM_Media_Device

Type

SNMP (discovery)

Description

CallManager media device discovery.

Syntax

```
Dim I1 AS Integer Default * NAME Media;
V1 = OIDVAL(ccmMediaDeviceName.%I1);
V2=OIDVAL(ccmClusterId.1);
V3=OIDVAL(ccmMediaDeviceType.%I1);
V4=OIDVAL(ccmMediaDeviceDescription.%I1);
V5=OIDVAL(ccmMediaDeviceInetAddress.%I1);
%V1 index "MediaDevice<%I1>|MediaDevice:
%V1|VoIPCallMgrMediaDeviceName<%V4>VoIPCallMgrClusterId<%V2>VoIPCallMgrMediaDev
iceType<%V3>VoIPCallMgrMediaDeviceIpAddress<%V5>| |%V2_%V1| |";
```

Formula Editor Path

Alias Instance and Label Inventory > AP > VOIP > Cisco

MIB

CISCO-CCM-MIB.my

CCM_Server_Device

Type

SNMP (discovery)

Description

CallManager Server device discovery.

Syntax

```
V1 = OIDVAL(ccmClusterId.1);
V2 = OIDVAL(cdpGlobalDeviceId.0);
V3 = OIDVAL(ccmDescription.1);
V4 = OIDVAL(ccmVersion.1);
%V1 index
"<NULL>||%V2||VoIPDeviceType<CallManagerServer>VoIPCallMgrClusterId<%V1>VoIPCall
MgrServerId<%V2>VoIPCallMgrServerDescr<%V3>VoIPCallMgrServerVersion<%V4>||";
```

Formula Editor Path

Alias Instance and Label Inventory > AP > VOIP > Cisco

MIB

CISCO-CCM-MIB.my

CISCO-CDP-MIB.my

CCM_Server_FileSystem

Type

SNMP (discovery)

Description

CallManager Server file system discovery.

Syntax

```
Dim I1 AS Integer Default * NAME FileSys;  
V1 = OIDINST((hrStorageIndex.%I1) != 1, once);  
V2 = OIDVAL(hrStorageDescr.%V1);  
V3=OIDVAL(ccmClusterId.1);  
V4=OIDVAL(sysName.0);  
%V2 index "FileSys<%V1>||File System:  
%V2||VoIPCallMgrFileSystemName<%V2>VoIPCallMgrClusterId<%V3>||%V4_%V2||";
```

Formula Editor Path

Alias Instance and Label Inventory > AP > VOIP > Cisco

MIB

rfc1514-HOSTRESOURCES

CISCO-CCM-MIB.my

rfc1213-MIB-II

CCM_Server_Interface

Type

SNMP (discovery)

Description

CallManager Server interface discovery.

Syntax

```
Dim I1 AS Integer Default * NAME If;
V009 = OIDINST(ifAdminStatus.%I1 == 1);
V002=OIDVAL(ccmClusterId.1);
V001 = OIDVAL(ifType.%V009 format clean, once);
%V001 index "If<%V009>||-
UNSPECIFIED|VoIPCallMgrClusterId<%V002>VoIPCallMgrCustomerId<%V002>||";
```

Formula Editor Path

Alias Instance and Label Inventory > AP > VOIP > Cisco

MIB

rfc1213-MIB-II
CISCO-CCM-MIB.my

CCM_Server_Process

Type

SNMP (discovery)

Description

CallManager Server process discovery.

Syntax

```
Dim I1 AS Integer Default * NAME Process;  
V1 = OIDINST( not (hrSWRunName.%I1 like "java.exe") && not(hrSWRunName.%I1 like  
"services.exe") && not(hrSWRunName.%I1 like "csrss.exe") && not(hrSWRunName.%I1  
like "WINLOGON.EXE") && not(hrSWRunName.%I1 like "svchost.exe") &&  
not(hrSWRunName.%I1 like "dllhost.exe"));  
V2 = OIDVAL(hrSWRunName.%V1, once);  
V3=OIDVAL(ccmClusterId.1);  
V4=OIDVAL(sysName.0);  
%V2 index "Process<%V1>||Process:  
%V2||VoIPCallMgrProcessName<%V2>VoIPCallMgrClusterId<%V3>||%V4_%V2||";
```

Formula Editor Path

Alias Instance and Label Inventory > AP > VOIP > Cisco

MIB

rfc1213-MIB-II

CISCO-CCM-MIB.my

rfc1514-HOSTRESOURCES

CCM_Server_SqlDatabase

Type

SNMP (discovery)

Description

CallManager Server SQL database discovery.

Syntax

```
Dim I1 AS Integer Default * NAME SqlDb;
V1 = OIDVAL(mssqlDbInfoDbName.%I1 format clean, once);
V2=OIDVAL(ccmClusterId.1);
V3=OIDVAL(sysName.0);
%V1 index "SqlDb<%I1>|SqlDatabase:
%V1|VoIPCallMgrSqlDbName<%V1>VoIPCallMgrClusterId<%V2>| |%V3_%V1| |";
```

Formula Editor Path

Alias Instance and Label Inventory > AP > VOIP > Cisco

MIB

rfc1213-MIB-II
CISCO-CCM-MIB.my
MSSQL-MIB.my

Gatekeeper_Device

Type

SNMP (discovery)

Description

Gatekeeper device discovery.

Syntax

```
V1=OIDVAL(cgkStatsAdmissionRequests.0);  
%V1 index "<NULL>||-UNSPECIFIED||VoIPDeviceType<CiscoGatekeeper>||";
```

Formula Editor Path

Alias Instance and Label Inventory > AP > VOIP > Cisco

MIB

rfc1213-MIB-II

CISCO-GATEKEEPER-MIB.my

PSTN_Gateway_Device

Type

SNMP (discovery)

Description

PSTN Gateway device discovery.

Syntax

```
Dim I1 AS Integer Default * NAME If;
Dim I2 AS Integer Default * NAME Dev;
V002 = OIDVAL(sysLocation.0,once);
V003 = OIDINST((cdpCachePlatform.%I1.%I2)== "cisco Cat6k-MSFC", once);
V004 = OIDVAL(cdpCacheDeviceId.%V003); #Catalyst 6500 with MSFC WAN module;
V011 = OIDVAL(sysObjectID.0);
V012 = OIDVAL(filter(%V011 like "1.3.6.1.4.1.9.1.162")); #AS5300;
V022 = OIDVAL(filter(%V011 like "1.3.6.1.4.1.9.1.436")); #3745;
V032 = OIDVAL( Sum(*, FirstN(1, isdnBearerOperStatus.%I1))); #ISDN-MIB support;
V042 = OIDVAL(filter(%V011 like "1.3.6.1.4.1.9.1.404")); #VG248;
%V012 index "<NULL>||-
UNSPECIFIED|VoIPCallMgrClusterId<%V002>VoIPCallMgrCustomerId<%V002>VoIPDeviceTy
pe<PSTNGatewayCiscoAS5300>||";
%V022 index "<NULL>||-
UNSPECIFIED|VoIPCallMgrClusterId<%V002>VoIPCallMgrCustomerId<%V002>VoIPDeviceTy
pe<PSTNGatewayCisco3745>||";
%V032 index "<NULL>||-
UNSPECIFIED|VoIPCallMgrClusterId<%V002>VoIPCallMgrCustomerId<%V002>VoIPDeviceTy
pe<PSTNGatewayCiscoOtherISDN>||";
%V042 index "<NULL>||-
UNSPECIFIED|VoIPCallMgrClusterId<%V002>VoIPCallMgrCustomerId<%V002>VoIPDeviceTy
pe<PSTNGatewayCiscoVG248>||";
%V004 index "<NULL>||*WS6608:
%V004|VoIPCallMgrClusterId<%V002>VoIPCallMgrCustomerId<%V002>VoIPDeviceType<PST
NGatewayCiscoCat6k>||";
```

Formula Editor Path

Alias Instance and Label Inventory > AP > VOIP > Cisco

MIB

rfc2127-ISDN-MIB

rfc1213-MIB-II

CISCO-CDP-MIB.my

PSTN_Gateway_DSP_Card

Type

SNMP (discovery)

Description

PSTN Gateway DSP card discovery.

Syntax

```
Dim I1 AS Integer Default * NAME DSPCard;
V1 = OIDVAL(cdspCardIndex.%I1);
V2 = OIDVAL(cdspCardMaxChanPerDSP.%I1);
V3 = OIDVAL(sysLocation.0, once);
V4 = OIDVAL(sysName.0, once);
%V1 index "DSPCard<%I1>||DSPCard:
<%V1>||VoIPCallMgrDSPMaxChannel<%V2>VoIPCallMgrClusterId<%V3>VoIPCallMgrCustomer
Id<%V4>||";
```

Formula Editor Path

Alias Instance and Label Inventory > AP > VOIP > Cisco

MIB

CISCO-DSP-MGMT-MIB.my

rfc1213-MIB-II

NOTES

Appendix A: Configuration

This appendix explains how to configure the Cisco IP Telephony Technology Pack and consists of the following topics:

Topic	Page
<i>Overview</i>	439
<i>Before You Begin</i>	439
<i>Configure the Technology Pack</i>	440
<i>Other Tasks and Considerations</i>	455

Overview

Netcool/Proviso supports the following two types of technology packs, based on the type of data that they collect:

- SNMP

These packs are MIB-based, and their configuration is relatively straightforward.

- BULK (or UBA)

These packs collect data against non-SNMP devices, and rely on the Universal Bulk Adaptor (UBA) of the Netcool/Proviso DataChannel to process the data. Prior to Netcool/Proviso 443, BULK packs could be very difficult to configure, and in many cases required extensive Netcool/Proviso domain knowledge.

Netcool/Proviso 443 introduces a graphical user interface (GUI) to configure Netcool/Proviso UBA technology packs on supported Netcool/Proviso platforms.

The Cisco IP Telephony Technology Pack is an SNMP and UBA technology pack.

Before You Begin

Before configuring the Cisco IP Telephony Technology Pack, ensure that you:

- Have the following software or guides:
 - The release notes for the current technology pack release.
 - The version of the *Netcool/Proviso DataMart Configuration Guide* that corresponds to your version of Netcool/Proviso.

Important: You will need to refer to this guide in order to run a Bulk inventory profile.

- Access to the Netcool/Proviso DataMart server.
- An X Window server on the DataMart server.

Note: (Pre-443 Netcool/Proviso) If there is no graphics card on the DataMart server, you can install the *Xvfb* virtual frame buffer package to provide X Window services, as described in the *Netcool/Proviso Installation Guide*.

- Access to the SilverStream server.
- Access to the DataChannel server.
- Have completed the following tasks:
 - Installed the current version of the Netcool/Proviso components, as described in the *Netcool/Proviso Installation Guide*.
 - Installed the MIB-II technology pack

Note: Starting with **version 4.3-T**, the MIB-II Technology Pack no longer resides in the single bundled jar file. It is a stand-alone technology pack that is contained in its own jar file.

- Installed the Cisco IP Telephony Technology Pack.
- Configured at least one DataChannel.
- Configured a UBA Bulk Collector subchannel.
- Configured an SNMP Collector subchannel.

Note: This technology pack contains a Java application, *ProvisoCUCM*, that sends data requests to CUCM servers. The *ProvisoCUCM* application requires the Java Runtime Environment (JRE) version 1.5 or greater.

Configure the Technology Pack

To configure the Cisco IP Telephony Technology Pack, follow these steps:

Important: Localization is now done automatically during installation of the technology pack and requires no manual steps to configure.

1. Load the DataMart environment.

To load the shell with the DataMart environment, follow these steps:

- 1-a. Log in to the DataMart server as `pvuser`.
- 1-b. Change your working directory to the DataMart home directory (`/opt/datamart`, by default), using the following command:

```
cd /opt/datamart
```

- 1-c. Load the shell with the DataMart environment, by sourcing the `dataMart.env` file, as follows:

```
./opt/datamart/dataMart.env
```

Note: After you load the DataMart environment into the shell, the `PVMHOME` variable is set to the DataMart home directory, `/opt/datamart` by default. These instructions assume that this variable has been set.

2. Copy technology-specific files from the DataMart server to the DataChannel server.

Technology-specific files are used to associate a UBA technology pack with a specific instance of the UBA.

***Note:** While it is possible to install DataMart and DataChannel on the same server, in a typical installation these modules are installed on separate servers. If this is the case, use ftp to copy the technology-specific files. Otherwise, if DataMart and DataChannel are on the same server, use the cp command to copy the files to the appropriate DataChannel directory.*

To copy technology-specific files to the DataChannel server, follow these steps:

- 2-a. Log in to the Netcool/Proviso DataChannel server by entering the username and password that you specified when installing and configuring a DataChannel. The default username and password are `pvuser` and `PV`, respectively.
- 2-b. Change your working directory to the `DATA_CHANNEL_HOME/scripts` directory by entering the following command, replacing `DATA_CHANNEL_HOME` with the DataChannel home directory (`/opt/datachannel`, by default):


```
$ cd DATA_CHANNEL_HOME/scripts
```
- 2-c. Using the `ftp` utility in text mode, log into the DataMart server using the appropriate username and password (`pvuser` and `PV`, by default).
- 2-d. Using the `cd` sub-command, change your working directory to the `$PVMHOME/APFiles/voip_cisco_ip/datachannel/scripts/voip_cisco_ip` directory.
- 2-e. Using the `get` sub-command, copy the Bulk Adaptor Design Files (`*.js`), scripts (if any), and other files (if any) from the DataMart server to the DataChannel server.
- 2-f. **(Pre-443 Netcool/Proviso only)** Copy the `voip_cisco_ip_sample_dc.cfg` template file as follows:
 - * Using the `cd` sub-command, change your working directory to the `$PVMHOME/APFiles/voip_cisco_ip/datachannel/conf` directory.
 - * Using the `get` sub-command, copy the `voip_cisco_ip_sample_dc.cfg` template file from the DataMart server to the DataChannel server.
- 2-g. Exit the `ftp` utility by entering the `bye` sub-command.
- 2-h. Verify that the technology-specific files now reside in the target directory as follows:
 - * **(Netcool/Proviso 443 and higher)** Verify that the Bulk Adaptor Design Files (`*.js`), scripts (if any), other files (if any) now reside in the `DATA_CHANNEL_HOME/scripts` directory.
 - * **(Pre-443 Netcool/Proviso)** Verify that the Bulk Adaptor Design Files (`*.js`), scripts (if any), other files (if any), and `voip_cisco_ip_sample_dc.cfg` template file now reside in the `DATA_CHANNEL_HOME/scripts` directory.

3. Activate data collection requests.

During installation of the technology pack, all predefined data collection requests are promoted to the database and set to inactive (that is, `idle` displays in the **Active** column of the Netcool/Proviso DataMart Request Editor). You need to activate these predefined data collection requests using the Request Editor.

To set data collection requests to active, follow these steps:

- 3-a. Change your working directory to `$PVMHOME/bin` (`/opt/datamart/bin`, by default) on the DataMart server.
- 3-b. Invoke the DataMart GUI by entering the following command and pressing **Enter**:

```
pvm
```

- 3-c. Click the **Configuration** tab, then click **Request Editor** to open the Request Editor.
- 3-d. Click the **Collection** tab.
- 3-e. Click **Refresh**.

The predefined data collection requests are loaded into the Request Editor from the database.

- 3-f. Click the **Inactive** button in the **Filter** group box to display only idle requests.
- 3-g. In the **Sub-Element Groups** pane, select all idle data collection requests in the following group or groups:
Root->Sub-Element Collect->Cisco
- 3-h. Click the **Active** box under **Details**. The Request Editor toggles the idle setting for these data collection requests from **idle** to **active** in the **Active** column.
- 3-i. Click **Save**.

4. Merge the technology pack's sub-element inventory text files.

Sub-element inventory control rules for the Cisco IP Telephony Technology Pack are contained in the file `voip_cisco_ip_t_inventory_subelements.txt`, which is installed in the following directory on the DataMart server:

```
$PVMHOME/APfiles/voip_cisco_ip_t/datamart/conf
```

You must merge the contents of this file with the file `inventory_subelements.txt` located in `$PVMHOME/conf` (typically, `/opt/datamart/conf`) on the DataMart server:

To merge the sub-element inventory control rules for the Cisco IP Telephony Technology Pack, follow these steps:

- 4-a. Change your working directory to `$PVMHOME/conf` by entering the following command:

```
cd $PVMHOME/conf
```

- 4-b. Copy `voip_cisco_ip_t_inventory_subelements.txt` to the `$PVMHOME/conf` directory, by entering the following command:

```
cp $PVMHOME/APfiles/voip_cisco_ip_t/datamart/conf/voip_cisco_ip_t_inventory_subelements.txt .
```

- 4-c. Make a backup copy of the `inventory_subelements.txt` file by entering the following command:

```
cp inventory_subelements.txt inventory_subelements.txt.ORIG
```

- 4-d. Append the contents of `voip_cisco_ip_t_inventory_subelements.txt` to `inventory_subelements.txt`, by entering the following command:

```
cat voip_cisco_ip_t_inventory_subelements.txt >> inventory_subelements.txt
```

Important: *Ensure that you use two forward brackets (>>); otherwise, the original contents of `inventory_subelements.txt` will be overwritten.*

- 4-e. Perform a `diff` on the backed-up file and the appended file to ensure that the merge succeeded, as shown in the following example:

```
diff inventory_subelements.txt inventory_subelements.txt.ORIG
```

Important: ***If you do not have a CCM environment, skip Step 5 and continue with Step 6.***

5. **CCM environment only:** Configure the Data Direct SQL Server Bridge

The Netcool/Proviso Cisco IP Telephony Technology Pack collects data from SNMP devices and, through SQL for Call Detail Records, from each CCM database.

The technology pack's UBA is responsible for retrieving CCM data, using the Data Direct SQL server bridge to do so. This bridge is part of the UBA installation. No additional software is required.

You need to set up the Data Direct SQL server bridge to get Call Detail Records from each CallManager Publisher. The complete configuration is done by editing the `$DC_HOME/conf/odbc.ini` file as user `pvuser`.

[ODBC Data Sources]

Your_Data_Source1=DataDirect 4.20 SQL Server Wire Protocol

Your_Data_Source2=DataDirect 4.20 SQL Server Wire Protocol

Your_Data_SourceN=DataDirect 4.20 SQL Server Wire Protocol

[**Your_Data_Source1**]

Driver=PVMSS20.S0

Description=DataDirect 4.20 SQL Server Wire Protocol

Address=**xx.xx.xx.xx,1433**

AnsiNPW=Yes

Database=CDR

QuoteId=No

[**Your_Data_Source2**]

Driver=PVMSS20.S0

Description=DataDirect 4.20 SQL Server Wire Protocol

Address=**xx.xx.xx.xx,1370**

AnsiNPW=Yes

Database=CDR

QuoteId=No

[**Your_Data_SourceN**]

Driver=PVMSS20.S0

Description=DataDirect 4.20 SQL Server Wire Protocol

Address=**xx.xx.xx.xx,1433**

AnsiNPW=Yes

Database=CDR

QuoteId=No

[ODBC]

IANAAppCodePage=4

InstallDir=/opt/datachannel/

Trace=0

TraceDll=/opt/datachannel/lib/odbctrac.so

TraceFile=odbctrace.out

UseCursorLib=0

All fields above which appear in boldface **red** and must be configured according to your CallManager Publisher environment, as follows:

Field	Description
[ODBC Data Sources]	One entry per CallManager Publisher. Note: The data source name must match the data source name specified in the corresponding URI (Uniform Resource Identifier) parameter in the <code>dc.cfg</code> file. Each line in this section should also be associated with a subsection that configures the data source.

Field	Description
[Data Source Name]	<p>The configuration of the specified data source.</p> <ul style="list-style-type: none"> [Data Source Name]: for example, [SANFRANCISCO] Address: the remote IP address and TCP port of the CallManager Publisher Database (for example, 192.168.1.1, 1433). To verify the remote connection configuration, establish the connection manually from a shell window: <code>telnet xx.xx.xx.xx 1433</code> or <code>telnet xx.xx.xx.xx 1370</code>. The remote TCP port can be 1433 or 1370 according to the SQL Server configuration.
[ODBC]	A global section that defines the global environment for the bridge.

Important: *If you do not have a CUCM environment, skip Step 6 through Step 9, and continue with Step 10.*

- 6. CUCM environment only:** On the DataChannel host, create a directory for each CUCM server from which CDR, CMR, and Perfmon data files will be requested. For example, if you will be requesting data files from two CUCM servers, you might create the following directories:

```
/opt/datachannel/cucm1
/opt/datachannel/cucm2
```

These directories will contain the ProvisoCUCM application and other files needed to send SOAP requests to each CUCM server.

Note: *If you will be requesting CDR and CMR data files through a master CUCM server, you need to create just one directory for those requests. However, if you will be requesting Perfmon data, you must create a separate directory for each CUCM server from which you will request Perfmon data.*

- 7. CUCM environment only:** Copy the following files into *each one* of the directories you just created in Step 6:

```
- ProvisoCUCM.jar
- cucm.properties
- startcucm.sh
- stopcucm.sh
```

These files were included in the technology-specific files you copied to `DATA_CHANNEL_HOME/scripts` in step 2-e on page 441.

- 8. CUCM environment only:** Configure each of the `cucm.properties` files you copied in Step 7.

Each `cucm.properties` file is associated with an instance of the ProvisoCUCM application that resides in the same directory as the file. The ProvisoCUCM instance reads the `cucm.properties` file to find the address and login credentials of the associated CUCM server, the address and login credentials of the DataChannel host for the CUCM server to use when pushing the requested files via FTP back to the DataChannel host, and other required configuration details.

The following table describes the fields in the `cucm.properties` files:

Field	Description
<code>cucm.host</code>	<p>The IP address of the CUCM server associated with this properties file.</p> <p>Examples: <code>cucm.host=10.1.2.3</code> <code>cucm.host=cucm.mycorp.com</code></p>
<code>cucm.port</code>	<p>The port number for SOAP requests sent to the CUCM server.</p> <p>Example: <code>cucm.port=443</code></p>

Field	Description
<code>cucm.user</code>	User ID required for login to the CUCM. Example: <code>cucm.user=cucmuser</code>
<code>cucm.pass</code>	User password required for login to the CUCM. Example: <code>cucm.pass=cucmpwd</code>
<code>ftp.user</code>	User ID required for login to the DataChannel host that issued the SOAP request. Example: <code>ftp.user=provisouser</code>
<code>ftp.pass</code>	User password required for login to the DataChannel host that issued the SOAP request. Example: <code>ftp.pass=provisopwd</code>
<code>ftp.host</code>	The IP address of the DataChannel host where the requested data files are to be returned through FTP. The FTP server must be the host where the ProvisoCUCM instance for this <code>cucm.properties</code> file is running. Examples: <code>ftp.host=10.4.5.6</code> <code>ftp.host=proviso.mycorp.com</code>
<code>ftp.secure</code>	If <code>true</code> , instructs the CUCM server to return the requested data files over a secure FTP connection. If <code>false</code> , the CUCM server will not use a secure FTP connection. Example: <code>ftp.secure=true</code>
<code>ftp.remotedir</code>	The location on the DataChannel host where the requested data files are to be copied. Example: <code>ftp.remotedir=/export/home/pvuser/CUCM/files</code>
<code>collect_cdr</code>	If <code>true</code> , ProvisoCUCM requests CDR and CMR data from the CUCM server. If <code>false</code> , ProvisoCUCM will not poll the CUCM server for CDR and CMR data. Example: <code>collect_cdr=true</code>
<code>collect_perfmon</code>	If <code>true</code> , ProvisoCUCM requests Perfmon data from the CUCM server. If <code>false</code> , ProvisoCUCM will not poll the CUCM server for Perfmon data. Example: <code>collect_perfmon=true</code>
<code>cdr_output_dir</code>	The location on the DataChannel host where the ProvisoCUCM instance generates output from a CDR file and its associated CMR file. The output is a single CSV file that contains correlated data from the CDR file and CMR file. Example: <code>cdr_output_dir=/opt/uba/cdrmgr</code>
<code>perfmon_output_dir</code>	The location on the DataChannel host where the ProvisoCUCM instance generates output, in CSV format, from a Perfmon data file. Example: <code>perfmon_output_dir=/opt/uba/perfmon</code>

Field	Description
<code>resend_sent_files</code>	<p>If <code>true</code>, the CUCM server will re-send files that it has already successfully sent. Since the CUCM can be configured to send data files to any host specified by CUCM Web administration configuration settings, this field must be set to <code>true</code> to ensure that data files are also sent to the DataChannel host that requested them.</p> <p>Use the <code>false</code> setting in the following situations:</p> <ul style="list-style-type: none"> • If you prefer to have the data files pushed back to the DataChannel host according to a schedule specified by CUCM Web administration configuration settings. Set the CUCM configuration to push the data files back to the DataChannel server where the ProvisoCUCM instance is running. • If data files are being pushed back to the DataChannel host too slowly for your needs. <p>If this field is <code>false</code>, the ProvisoCUCM instance will request the data files from the CUCM server and receive none. It will then check for the data files in the location specified by the CUCM Web administration configuration (at time intervals specified by <code>run_interval</code> or <code>perfmon_interval</code>). If the files are there, ProvisoCUCM retrieves the files and generates the CSV output to <code>cdr_output_dir</code> (or <code>perfmon_output_dir</code> with Perfmon data) on the DataChannel host that requested the data.</p> <p>Example: <code>resend_sent_files=true</code></p>
<code>grace_period</code>	<p>The time, in milliseconds, to subtract from the polling start time. The polling start time is the time that the ProvisoCUCM instance begins polling the CUCM server for data.</p> <p>The grace period is intended to help you avoid missing data files that the CUCM has not yet written for the current time period.</p> <p>ProvisoCUCM uses the polling start time specified in the field <code>start_time</code> of the file <code>cucm.TIMESTAMP</code>. This file resides in the same directory as the <code>cucm.properties</code> file.</p> <p>If the file does not exist when ProvisoCUCM is instantiated, it starts polling the CUCM server immediately, creates <code>cucm.TIMESTAMP</code>, and writes the current time to it.</p> <p>Example grace period (100 seconds): <code>grace_period=100000</code></p> <p>Example start time (1/20/2009 at 12:00): <code>start_time=1232470820931</code></p>
<code>run_interval</code>	<p>The interval, in milliseconds, at which ProvisoCUCM polls the CUCM server for CDR and CMR data files, and checks <code>cdr_output_dir</code> for data files pushed there by the CUCM server.</p> <p>Example (15 minutes): <code>run_interval=900000</code></p>
<code>perfmon_interval</code>	<p>The interval, in milliseconds, at which ProvisoCUCM polls the CUCM server for Perfmon data files, and checks <code>perfmon_output_dir</code> for data files pushed there by the CUCM server.</p> <p>Example (5 minutes): <code>run_interval=300000</code></p>

Field	Description
debug	<p>If <code>true</code>, enables debug mode for ProvisoCUCM operations. Error information pertaining to the SOAP interaction with the CUCM server is written to a log file. The log file resides in the same directory as the <code>ProvisoCUCM.jar</code> and <code>cucm.properties</code> files.</p> <p>If <code>false</code>, debug mode is not enabled.</p> <p>Example: <code>debug=true</code></p>

Note: Before proceeding to the next step, be sure you have configured each `cucm.properties` file in the directories you created in Step 6.

9. **CUCM environment only:** Start all ProvisoCUCM applications by running the `startcucm.sh` file in each directory that you created in Step 6.

ProvisoCUCM writes a log file in the same directory where its `ProvisoCUCM.jar` file resides. Monitor the log file to make sure that ProvisoCUCM is successfully communicating with the CUCM server. Also, verify that CSV files are being generated to the output directories (`cdr_output_dir` and/or `perfmon_output_dir`).

Note: Be sure that all ProvisoCUCM instances are operating successfully before proceeding to the next step.

10. Define global variables.

Global variables are specific to each CCM or CUCM cluster. You assign values to global variables in either of the following files:

- `CCMConfig.js` with CCM clusters
- `CUCMConfig.js` with CUCM clusters

The Cisco IP Telephony Technology Pack includes the configuration files `CCMConfig.js` and `CUCMConfig.js`. In Step 2-e, you copied these files to `DATA_CHANNEL_HOME/scripts` (typically, `/opt/datachannel/scripts`).

These configuration files contain sample values. Edit either or both files to assign values appropriate for locations in your Cisco IP Telephony CCM or CUCM environment. The following table describes the global variables to define:

Variable	Description
CUSTOMERNAME	<p>String specifying the customer's identifier. This value allows automatic grouping and report navigation by customer.</p> <p>Example: <code>var CUSTOMERNAME="TELINDUS";</code></p>
CMCLUSTER	<p>String specifying the cluster's identifier. This value allows automatic grouping and report navigation by cluster.</p> <p>Example: <code>var CMCLUSTER="SF";</code></p>
OUTBOUNDPREFIX	<p>Integer specifying the prefix to dial to call outside of the PBX (for example, 9 within the US, or 0 within Europe.)</p> <p>Example: <code>var OUTBOUNDPREFIX=0;</code></p>

Variable	Description
site	<p>A variable assigned to the JavaScript object <code>Site</code>. A <code>Site</code> object defines a set of properties specific for a site, business department, location, remote office, or group of people. You can define multiple <code>Site</code> objects. Objects are distinguished through the site name you pass to the object.</p> <p>Create a <code>Site</code> object as follows:</p> <pre>site = new Site("MySite");</pre> <p>In the example, <code>MySite</code> is the site name.</p> <p>A <code>site</code> object contains the following methods:</p> <ul style="list-style-type: none"> • <code>addLocalCallPrefix(string prefix)</code> <p>The <code>prefix</code> argument specifies n digits in a local call prefix, where n is the prefix length. If the first n digits in a phone number match the prefix, the phone number is determined to be a local number. Many local call prefixes can be defined for the same site through this method.</p> <p>Example: <code>site.addLocalCallPrefix("999");</code></p> • <code>addExtensionRange(int startNumber, int endNumber)</code> <p>The two arguments specify the extension range for a site, beginning with the first extension in the range, and ending with the last extension.</p> <p>Each number within the range is an internal extension for the named site. Many extension ranges can be defined for the site through this method. The values allow automatic grouping, report navigation by site, and path sub-element definition.</p> <p>Example: <code>site.addExtensionRange(1000,1830);</code></p> • <code>addVoiceMailRange(int startNumber, int endNumber)</code> <p>The two arguments specify the VoiceMail extension range for a site, beginning with the first VoiceMail extension in the range, and ending with the last extension.</p> <p>Each number within the range is an internal VoiceMail extension for the named site. Many VoiceMail extension ranges can be defined for the site through this method. The values allow automatic grouping, report navigation by site, and specific reports on the VoiceMail application.</p> <p>Example: <code>site.addVoiceMailRange(9000,9050);</code></p> • <code>addPstnGatewayIpAddress(string ipAddress)</code> <p>The argument specifies the IP address of a PSTN gateway. Many PSTN gateway addresses can be defined for the named site through this method. The values allow automatic grouping, report navigation by site, and path and gateway sub-element definition.</p> <p>Example: <code>site.addPstnGatewayIpAddress("10.1.184.20");</code></p> <p style="text-align: center;"><i>Note: Use the following method only in the <code>CUCMConfig.js</code> file.</i></p> • <code>addCucmAddress(string ipAddress)</code> <p>The argument specifies the IP address of a CUCM server in the cluster.</p> <p>Example: <code>site.addCucmAddress("10.1.6.8");</code></p>

11. (Requires the *Netcool/Proviso DataMart Configuration Guide*) Run the initial SNMP inventory and initiate a discovery.

An inventory collects data about the network resources that the technology pack monitors. After you install an SNMP technology pack, you must create an inventory profile using the **Inventory Tool Wizard** and then initiate a discovery by executing the inventory profile using the **Inventory Tool**.

Running the initial inventory against SNMP objects is an intricate task and unfortunately beyond the scope of this configuration appendix. For instructions on using the **Inventory Tool Wizard** to create an inventory profile and the **Inventory Tool** to execute the inventory profile, see the *Netcool/Proviso DataMart Configuration Guide*.

12. Edit pack-specific UBA parameters, based on the following Netcool/Proviso platforms:
 - 443 and higher
 - Pre-443

443 and Higher

In this release of Netcool/Proviso, you were instructed to modify the technology pack-specific UBA parameters when you installed the Cisco IP Telephony Technology Pack, using the Topology Editor. If you did not modify the UBA parameters with site-specific values or you want to make additional edits, you can do so now. Otherwise, you can go to the next step.

See the Installing Technology Packs chapter of the *Netcool/Proviso Installation Guide* for more information.

Pre-443

The Cisco IP Telephony Technology Pack requires specific UBA parameters that are not in the `dc.cfg` file. The DataChannel installer creates a `dc.cfg` file in the `DATA_CHANNEL_HOME/conf` directory (`/opt/datachannel/conf`, by default). These pack-specific parameters were delivered in a template file called `voip_cisco_ipt_sample_dc.cfg`.

The best practice on adding these pack-specific parameters to the `dc.cfg` file is to:

- Edit the pack-specific UBA parameters in the template file with site-specific values.
- Manually add them to the `dc.cfg` file.

To edit the pack-specific UBA parameters in the template file with site-specific values, follow these steps:

- 12-a. On the DataChannel server, change your working directory to the `DATA_CHANNEL_HOME/scripts` directory by entering the following command, replacing `DATA_CHANNEL_HOME` with the DataChannel home directory (`/opt/datachannel`, by default):

```
cd DATA_CHANNEL_HOME/scripts
```

- 12-b. Make a backup copy of the `voip_cisco_ipt_sample_dc.cfg` template file, by entering the following command:

```
cp voip_cisco_ipt_sample_dc.cfg voip_cisco_ipt_sample_dc.cfg.ORIG
```

- 12-c. In a text editor, open the `voip_cisco_ipt_sample_dc.cfg` template file for editing.

- 12-d. Edit the pack-specific UBA parameters according to the instructions provided in *Appendix B, Template File Reference*.

Note: The cross reference link to *Appendix B, Template File Reference* does not work due to a formatting limitation.

- 12-e. When you are satisfied with your edits, write (but do not quit) the `voip_cisco_ipt_sample_dc.cfg` template file.

Important: Editing the `dc.cfg` file is a non-trivial task and prone to error. Take your time and check your work carefully.

To manually add the pack-specific UBA parameters to the `dc.cfg` file, follow these steps:

12-f. Open a second terminal emulator.

12-g. On the DataChannel server, change your working directory to the `DATA_CHANNEL_HOME/conf` directory (`/opt/datachannel/conf`, by default), by entering the following command:

```
cd DATA_CHANNEL_HOME/conf
```

12-h. Make a backup copy of the `dc.cfg` file, by entering the following command:

```
cp dc.cfg dc.cfg.ORIG
```

12-i. In a text editor, open the `dc.cfg` file for editing.

12-j. Search for the UBA parameters, which begin with the string `UBA`. These parameters were written to the `dc.cfg` file when you configured the UBA Bulk Collector and installed the DataChannel configuration, as described in the *Netcool/Proviso Installation Guide*.

12-k. Copy the pack-specific UBA parameters from the `voip_cisco_ip_t_sample_dc.cfg` template file to the `dc.cfg` file.

12-l. When you are satisfied with your edits, do the following:

- Quit the `voip_cisco_ip_t_sample_dc.cfg` template file.
- Write and quit the `dc.cfg` file.

13. Load the DataChannel environment.

In subsequent steps, you will execute `dccmd` commands. To ensure that you can run these commands, load the shell with the DataChannel environment by following these steps:

13-a. Log in to the DataChannel server as `pvuser`.

13-b. Change your working directory to the DataChannel home directory (`/opt/datachannel`, by default), using the following command:

```
cd /opt/datachannel
```

13-c. Load the shell with the DataChannel environment, by sourcing the `datachannel.env` file, as follows:

```
. /opt/datachannel/datachannel.env
```

14. Restart the DataChannel to activate the UBA and read in changes to `dc.cfg`.

14-a. Open a terminal emulator on the DataChannel server.

14-b. Use the `dccmd` command to stop all DataChannel applications:

```
dccmd -action stop all
```

14-c. Use the `dccmd` command to release all daemons running in the DataChannel:

```
dccmd -action forget all
```

14-d. Use the following command to find the process identifiers (pids) associated with the DataChannel visual processes:

```
DATA_CHANNEL_HOME/bin/findvisual
```

where:

`DATA_CHANNEL_HOME` is `/opt/datachannel`, by default.

14-e. Use the following commands to stop each DataChannel visual process:

```
kill -9 <cns_w_pid>
```

```
kill -9 <log_w_pid>
```



```
kill -9 <amgrw_pid>
```

```
kill -9 <cmgrw_pid>
```

14-f. Use the following commands to restart each DataChannel visual process:

```
cnsw
```

```
logw
```

```
amgrw
```

```
cmgrw
```

14-g. Use the `dccmd` command to start all DataChannel applications:

```
dccmd -action start all
```

14-h. Use the `dccmd` command to verify that all of the DataChannel applications started properly:

```
dccmd -action status all
```

More specifically, make sure that the UBA application associated with the DataChannel you configured for the Cisco IP Telephony Technology Pack is running.

14-i. Watch the output of the `status` switch to verify that all the necessary processes are running. If these processes are running, run the `tail` utility on the log file for the UBA by issuing a command similar to the following:

```
tail -f DATA_CHANNEL_HOME/log/proviso.log | grep UBA.<channel>.<collector>- | more
```

where:

Variable	Meaning
<code>DATA_CHANNEL_HOME</code>	Is <code>/opt/datachannel</code> , by default.
<code><channel></code>	Specifies the channel number (for example, 1) you specified when configuring this DataChannel.
<code><collector></code>	Specifies the collector number (for example, 100) you specified when configuring this UBA Bulk Collector.
The trailing dash (-) after <code><collector></code>	Removes extraneous log messages from your view. That is, the trailing dash guarantees that the command displays only those messages generated by your application. The first set of messages relate to syntax checks.

The following table identifies some events to watch for during the syntax check:

Event	Meaning
The UBA application starts successfully, but then stops executing.	Typically, this event occurs because of a licensing issue.
The Bulk Adaptor Design File might be corrupt.	This event causes a syntax error before the UBA application connects to the database.

Event	Meaning
The UBA application connects to the database.	<p>This event causes a message similar to the following to display:</p> <pre>DB_CONNECT Connecting to <sid> as <user></pre> <p>If you see this database connection message without prior errors, the UBA application has passed the syntax check.</p>

15. Ensure that the Bulk input files can be read.

To verify that the UBA application can read the Bulk input files, follow these steps:

15-a. Place a Bulk input file at the source input location.

- **(443 only)** The source input location for Bulk input files is specified using the `URI` parameter from the pack's XSD file, which you can view using the Topology Editor.
- **(Pre-443 only)** The source input location for Bulk input files is specified using the `URI` parameter from the template file, which you added to the `dc.cfg` file in a previous step.

Within the configured file retrieval interval (typically, five minutes), the UBA application retrieves the Bulk input file and copies it to the following directory:

```
DATA_CHANNEL_HOME/UBA.<channel>.<collector>/<instance>/do/
```

where:

Variable	Meaning
<code>DATA_CHANNEL_HOME</code>	Is <code>/opt/datachannel</code> , by default.
<code><channel></code>	Specifies the channel number (for example, 1) you specified when configuring this DataChannel.
<code><collector></code>	Specifies the collector number (for example, 100) you specified when configuring this UBA Bulk Collector.
<code><instance></code> (443 only)	Specifies the string for the <code>INSTANCES</code> parameter in the pack's XSD file. Typically, this string represents the name of the pack and is read-only. You can view the string specified for <code>INSTANCES</code> using the Topology Editor.
<code><instance></code> (pre-443 only)	Specifies the string for the <code>INSTANCES</code> parameter in the pack's template file. You were instructed to copy this parameter to the <code>dc.cfg</code> file in a previous step.

The UBA application then processes the Bulk input file according to the instructions in the Bulk Adaptor Design File.

Note: *The first time that the UBA processes a Bulk input file, it passes a metric to the CME. The CME rejects this metric as a `BAD_METRIC` because the metric does not have an associated grouped sub-element prior to the time this metric is recorded. This is expected behavior. The CME accepts metrics from the Bulk input files after the inventory is run.*

15-b. Ensure that the UBA application can successfully read the Bulk input file you copied into the source input location by issuing a `tail` utility command similar to the following:

```
tail -f DATA_CHANNEL_HOME/log/proviso.log | grep UBA.<channel>.<collector>- | more
```

The following table identifies the success messages you should look for. Line breaks appear in the messages to make them more readable.

Success Message	Meaning
PERF_INPUT_PROCESSING Processed <integer> records in <float> seconds (<float> records/minute): <int> records	Specifies a Bulk Adaptor Design File completion message. A Bulk Adaptor Design File successfully completes when an informational message similar to this one displays in the log file. Success occurs when <int> records equals 0.
METRIC_STREAM_INFO Completed writing metric output: DATA_CHANNEL_HOME/UBA.<channel>.<collector>/streaming/ state/temp/output/<time>.<instance>.NRAW.BOF; wrote <int> metrics; <int> bad resource IDs; <int> bad formula names (#())	Specifies a metric creation success message. The UBA application successfully creates metrics when a debug 2 message similar to this one displays in the log file. For some technology packs, the metric creation may be done across different instances of UBA applications. Success occurs when <int> metrics is greater than one, <int> bad resource IDs equals 0, and <int> bad formula names equals 0.
PERF_INVFLUSH Inserted/updated <int> inventory objects in <float> seconds	Specifies an inventory success message. The inventory successfully completes when an informational message similar to this one displays in the log file. If <int> is greater than one, the UBA application created or updated at least one sub-element, and the inventory process is successful. The log file might record further details (if necessary) in the messages associated with the PERF_INVFLUSHPV sub-element message category.

16. Run the Bulk inventory profile.

The UBA application handles the inventory and metrics according to the instructions provided in the technology pack's design file or files. Specifically, the UBA application inserts the created elements, sub-elements, and metrics into the database. However, the UBA application does not handle the grouping of these elements and sub-elements.

To handle the grouping of the elements and sub-elements that were inserted into the database, UBA technology packs supply a Bulk inventory profile. This Bulk inventory profile is automatically created when the pack is installed. Bulk inventory profiles use the following name syntax:

```
bulk_N
```

where:

Syntax Item	Meaning
bulk_	Identifies this as a Bulk inventory profile for a UBA technology pack.
<i>N</i>	Specifies the collector number (for example, 100) the user specified when configuring this UBA Bulk Collector.

You must use the Inventory Tool to run a Bulk inventory profile.

To run this technology pack's Bulk inventory profile, perform the following steps:

16-a. In the command window where you loaded the DataMart environment, change your working directory to `$PVMHOME/bin (/opt/datamart/bin, by default)` on the DataMart server.

16-b. Invoke the DataMart GUI by entering the following command and pressing **Enter**:

```
pvm
```

16-c. Click **Inventory Tool** in the **Resource** tab. The Inventory Tool window appears.

This window displays a list of the existing inventory profiles on the **Configuration** tab. The name of the inventory profile to run is `bulk_`*N*, where *N* is the collector number configured for this pack.

16-d. On the **Configuration** tab, click on the Bulk inventory profile for this technology pack and then select **Run Profile** from the **Action** menu.

The **Live Information** tab displays messages about the status of the profile. See the *Netcool/Proviso DataMart Configuration Guide* for more information about running an inventory profile.

16-e. (Optional) Every time the UBA technology pack's design file creates new elements, sub-elements, and metrics, you need to perform the previous steps to group the elements and sub-elements. One way to accomplish this task on a regular basis is to create a `cron` entry that make use of the `inventory` CLI command. The following example shows a `cron` entry that periodically performs the grouping operation for a Bulk inventory profile called `bulk_100`:

```
0 * * * * . /opt/datamart/dataMart.env && inventory -name bulk_100 -action pregrouping -reload -noX
0 * * * * . /opt/datamart/dataMart.env && inventory -name bulk_100 -action grouping -reload -noX
```

See the *Netcool/Proviso Command Line Interface Guide* for more information about the `inventory` command.

17. Deploy reports.

After the technology pack installation completes, the rules for the new device are automatically loaded into the database. The inventory process uses those rules to group elements and sub-elements. You must manually deploy (auto-group) the reports by associating them with groups in the DataMart Resource Editor's NOC Reporting tree.

To deploy the Cisco IP Telephony Technology Pack reports, follow these steps:

17-a. Open the Netcool/Proviso DataMart Resource Editor.

17-b. Click the **ReportSEGroup** tab.

17-c. Move the cursor to the left pane and scroll up to select any group under the **SUB-ELEMENTS->NOC Reporting** tree.

17-d. Right-click and select the **AutoGrouping** option from the menu. The **AutoGrouping** option places the reports in dynamically generated groups created during inventory.

17-e. Click **Yes** to continue.

17-f. Click **Close** to exit the message box, or click **Details** to view a description of any errors.

17-g (Optional) You can also deploy reports on a regular basis by creating a cron entry that makes use of the `inventory` CLI command and the `-reportGrouping` option. This option instructs the `inventory` command to run the report grouping rules and update the deployed reports stored in the database. Report grouping rules must first have been created before this option can be used. For information on creating report grouping rules, see the *Netcool/Proviso DataMart Configuration Guide*.

The following example shows a cron entry that periodically performs the deploy report operation:

```
0 * * * * . /opt/datamart/dataMart.env && inventory -noX -reportGrouping
```

See the *Netcool/Proviso Command Line Interface Guide* for more information about the `inventory` command.

Other Tasks and Considerations

This section contains information on the following topics:

- *Verifying Resources*

Verifying Resources

Use the Netcool/Proviso DataMart Resource Editor to determine if the technology pack's resources (elements, sub-elements, properties, and so forth) were successfully discovered and created in the database during inventory.

See the *Netcool/Proviso DataMart Configuration Guide* for information on using the Netcool/Proviso DataMart Resource Editor.

Appendix B: UBA Parameters Reference (443, Topology Editor)

This appendix provides Unix reference pages for each of the pack-specific UBA parameters supplied with the XSD file for the Cisco IP Telephony Technology Pack. The descriptions are the same as those that display in the Topology Editor Help. These reference pages are provided as a convenience.

UBA Parameters Reference

The following pages provide a reference of the UBA parameters that this technology pack provides. The reference pages have the following sections:

- **Parameter name.** Each reference page begins with the parameter name. Parameter names use the following syntax:

[<instance> .] [<schema> .] <parameter_name>

where:

- <instance> — Specifies the group alias, which is typically a string that represents the name of the technology pack.
- <schema> — Specifies the string passed to the input schema object referenced in the pack's Bulk Adaptor Design (JavaScript) file.
- <parameter_name> — Specifies the name of the parameter.

In the **Detail** sections of the reference pages, parameter names in the descriptions are typically referenced as <schema> . <parameter_name> or simply <parameter_name>. The descriptions do not reference the <instance> part of the parameter name.

- **Description.** A short description that identifies the purpose of the parameter.
- **Component.** The DataChannel application (component) to which the parameter applies. The value specified for this parameter controls the behavior of this DataChannel application. This section can contain the following values:
 - BLB — Specifies the DataChannel BLB (Bulk Load Balancer) application.
 - IF — Specifies the DataChannel Inventory File (IF) application. Examples of IF applications include:
 - * SAMIF — Specifies the IF application for the Alcatel 5620 SAM Technology Pack.
 - * QCIF — Specifies the IF application for the Alcatel 5620 NM Technology Pack.
 - UBA — Specifies the DataChannel UBA (Universal Bulk Adaptor) application.Most UBA technology packs operate with only the UBA application.

- **Value.** Specifies the following information:
 - **Default** — Identifies the default value, if one is specified, for the parameter.
 - **Attribute** — Specifies whether the parameter is writable.
 - **Location** — Specifies the location of the parameter in the Topology Editor.

- **Detail.** Provides details about the parameter, including possible values.

INSTANCES

Description

Group alias.

Component

UBA

Value

Default: VOIP_CISCO_IPT_PERFMON

Attribute: Read-only

Location: Advanced Properties tab

Detail

The DataChannel supports multiple instances of technology packs running in a single channel component. Therefore, there must be a way to guarantee that the DataChannel applications that handle inventory and metrics parse the correct design files and read the appropriate Bulk input files. The `INSTANCES` parameter helps ensure that the DataChannel applications that handle inventory and metrics perform the correct operation for a specific technology pack.

The value of `INSTANCES` is one of the following:

- `VOIP_CISCO_IPT` with CCM or CUCM metrics.
- `VOIP_CISCO_IPT_PERFMON` with CUCM Perfmon metrics.

This is a read-only parameter whose value you cannot change. Typically, the value for `INSTANCES` is a string that represents the name of the technology pack.

INSTANCES

Description

Group alias.

Component

UBA

Value

Default: VOIP_CISCO_IPT

Attribute: Read-only

Location: Advanced Properties tab

Detail

The DataChannel supports multiple instances of technology packs running in a single channel component. Therefore, there must be a way to guarantee that the DataChannel applications that handle inventory and metrics parse the correct design files and read the appropriate Bulk input files. The `INSTANCES` parameter helps ensure that the DataChannel applications that handle inventory and metrics perform the correct operation for a specific technology pack.

The value of `INSTANCES` is one of the following:

- `VOIP_CISCO_IPT` with CCM or CUCM metrics.
- `VOIP_CISCO_IPT_PERFMON` with CUCM Perfmon metrics.

This is a read-only parameter whose value you cannot change. Typically, the value for `INSTANCES` is a string that represents the name of the technology pack.

INSTANCES

Description

Group alias.

Component

UBA

Value

Default: VOIP_CISCO_IPT

Attribute: Read-only

Location: Advanced Properties tab

Detail

The DataChannel supports multiple instances of technology packs running in a single channel component. Therefore, there must be a way to guarantee that the DataChannel applications that handle inventory and metrics parse the correct design files and read the appropriate Bulk input files. The `INSTANCES` parameter helps ensure that the DataChannel applications that handle inventory and metrics perform the correct operation for a specific technology pack.

The value of `INSTANCES` is one of the following:

- `VOIP_CISCO_IPT` with CCM or CUCM metrics.
- `VOIP_CISCO_IPT_PERFMON` with CUCM Perfmon metrics.

This is a read-only parameter whose value you cannot change. Typically, the value for `INSTANCES` is a string that represents the name of the technology pack.

VOIP_CISCO_IPT.CCMINPUT.DELETEONACQUIRE

Description

Deletes CCM Bulk input files after acquisition.

Component

UBA

Value

Default: false

Attribute: Writable

Location: Advanced Properties tab

Detail

The `CCMINPUT.DELETEONACQUIRE` parameter specifies whether the Bulk input files should be preserved after the UBA acquires them. A related parameter - `CCMINPUT.URI` - specifies the location of the Bulk input files.

Set this parameter to the value `true` to instruct this UBA application to delete the CCM Bulk input files after it acquires them. Otherwise, set this parameter to `false` to instruct this UBA application to preserve the Bulk input files after it acquires them.

VOIP_CISCO_IPT.CCMINPUT.URI

Description

CCM Bulk input files location.

Component

UBA

Value

Default: No default value

Attribute: Read-only

Location: Properties tab

Detail

The DataChannel applications that handle inventory and metrics must be directed to the location of the Bulk input files generated by the devices associated with the technology on which the application operates. The `CCMINPUT.URI` parameter specifies the location for the specified DataChannel applications to retrieve these Bulk input files. A related parameter - `CCMINPUT.DELETEONACQUIRE` - specifies whether the UBA application should delete the Bulk input files after it acquires them.

The syntax for the URI is as follows:

```
sqldb:odbc*threaded/username=userName;password=password;environment=dataSourceName
```

For example: `sqldb:odbc*threaded/username=sa;password=netcool;environment=SANFRANCISCO`

Note: *The URIs you specify must match the URIs of each CCM Publisher data source defined in the `odbc.ini` file.*

VOIP_CISCO_IPT.CDRINPUT.DELETEONACQUIRE

Description

Deletes CUCM Bulk input files after acquisition.

Component

UBA

Value

Default: false

Attribute: Writable

Location: Advanced Properties tab

Detail

The `CDRINPUT.DELETEONACQUIRE` parameter specifies whether the Bulk input files should be preserved after the UBA acquires them. A related parameter - `CDRINPUT.URI` - specifies the location of these Bulk input files.

Set this parameter to the value `true` to instruct this UBA application to delete the CUCM Bulk input files after it acquires them. Otherwise, set this parameter to `false` to instruct this UBA application to preserve the Bulk input files after it acquires them.

VOIP_CISCO_IPT.CDRINPUT.URI

Description

CUCM Bulk input files location.

Component

UBA

Value

Default: No default value

Attribute: Read-only

Location: Properties tab

Detail

The DataChannel applications that handle inventory and metrics must be directed to the location of the Bulk input files generated by the devices associated with the technology on which the application operates. The `CDRINPUT.URI` parameter specifies the location, in Universal Resource Identifier (URI) format, for the specified DataChannel applications to retrieve Bulk input files for CDR data.

A related parameter - `CDRINPUT.DELETEONACQUIRE` - specifies whether the UBA application should delete these Bulk input files after it acquires them.

VOIP_CISCO_IPT.DESIGNFILE

Description

JavaScript file that controls UBA for CCM or CUCM metrics.

Component

UBA

Value

Default: CUCMAdaptor.js

Attribute: Read-only

Location: Properties tab

Detail

Netcool/Proviso technology packs control the behavior of the DataChannel UBA application through instructions contained in Bulk Adaptor design (JavaScript) files. The `DESIGNFILE` parameter identifies the name of a technology pack's design file.

CCM metrics require the `CCMAdaptor.js` design file. CUCM metrics require the `CUCMAdaptor.js` design file.

This is a read-only parameter.

VOIP_CISCO_IPT.DESIGNFILE

Description

JavaScript file that controls UBA for CCM or CUCM metrics.

Component

UBA

Value

Default: CCMA adaptor.js

Attribute: Read-only

Location: Properties tab

Detail

Netcool/Proviso technology packs control the behavior of the DataChannel UBA application through instructions contained in Bulk Adaptor design (JavaScript) files. The `DESIGNFILE` parameter identifies the name of a technology pack's design file.

CCM metrics require the `CCMA adaptor . js` design file. CUCM metrics require the `CUCMA adaptor . js` design file.

This is a read-only parameter.

VOIP_CISCO_IPT.INPUT_DIRECTORY

Description

Path to Bulk input files directory for CCM or CUCM metrics.

Component

UBA

Value

Default: `sqldb:odbc*threaded/username=user&password=passwd&environment=EXAMPLE`

Attribute: Writable

Location: Properties tab

Detail

The `INPUT_DIRECTORY` parameter specifies the path to the directory where the generated Bulk input files should be stored.

Do not enter any subdirectories and the actual wildcards used to specify the Bulk input files to be acquired. Any subdirectories and wildcards are automatically specified in the `URI`-related parameters. An example of an input directory specification is `opt/uba`.

CCM metrics are accessed through ODBC to a SQL database. CUCM metrics are accessed through SOAP requests.

VOIP_CISCO_IPT.INPUT_DIRECTORY

Description

Path to Bulk input files directory for CCM or CUCM metrics.

Component

UBA

Value

Default: No default value

Attribute: Writable

Location: Properties tab

Detail

The `INPUT_DIRECTORY` parameter specifies the path to the directory where the generated Bulk input files should be stored.

Do not enter any subdirectories and the actual wildcards used to specify the Bulk input files to be acquired. Any subdirectories and wildcards are automatically specified in the `URI`-related parameters. An example of an input directory specification is `opt/uba`.

CCM metrics are accessed through ODBC to a SQL database. CUCM metrics are accessed through SOAP requests.

VOIP_CISCO_IPT.INPUT_FTP_PASSWORD

Description

FTP or SFTP password for Bulk input files used in CCM or CUCM environments.

Component

UBA

Value

Default: No default value

Attribute: Writable

Location: Properties tab

Detail

The `INPUT_FTP_PASSWORD` parameter specifies the password that the server administrator assigned (using the `ftp` or `sftp` utility) to the FTP or SFTP user. The FTP or SFTP user specifies this password to gain access to the server on which the Bulk input files reside.

Likewise, the UBA uses this same password to gain access to the server on which the Bulk input files reside.

VOIP_CISCO_IPT.INPUT_FTP_USERNAME

Description

FTP or SFTP username for Bulk input files used in CCM or CUCM environments.

Component

UBA

Value

Default: No default value

Attribute: Writable

Location: Properties tab

Detail

The `INPUT_FTP_USERNAME` parameter specifies the username that the server administrator assigned (using the `ftp` or `sftp` utility) to the FTP or SFTP user. The FTP or SFTP user specifies this username to gain access to the server on which the Bulk input files reside.

Likewise, the UBA uses this same username to gain access to the server on which the Bulk input files reside.

VOIP_CISCO_IPT.INPUT_HOST

Description

Hostname for Bulk input files in CCM or CUCM environments.

Component

UBA

Value

Default: No default value

Attribute: Writable

Location: Properties tab

Detail

The `INPUT_HOST` parameter specifies the hostname of the server on which the Bulk input files reside. These are the files that the UBA parses.

VOIP_CISCO_IPT.INPUT_HOST

Description

Hostname for Bulk input files in CCM or CUCM environments.

Component

UBA

Value

Default: No default value

Attribute: Writable

Location: Properties tab

Detail

The `INPUT_HOST` parameter specifies the hostname of the server on which the Bulk input files reside. These are the files that the UBA parses.

VOIP_CISCO_IPT.INPUT_USE_SECURE_FTP

Description

Acquire CCM or CUCM Bulk input files using secure FTP.

Component

UBA

Value

Default: `false`

Attribute: Writable

Location: Properties tab

Detail

The `INPUT_USE_SECURE_FTP` parameter specifies whether FTP (File Transfer Protocol) or SFTP (secure FTP) is used. To use FTP, specify the value `false`. Otherwise, to use SFTP, specify the value `true`. The default value is `false`.

To use the `sftp` command, you must have an SSH client installed on the servers where the Bulk input files reside and where the DataChannel is running. Typically, an SSH client is installed by default on most Unix systems. For more information, see your operating system documentation or the `sftp` manpage.

Note: *You cannot do the following:*

- Use an FTP client to connect to an SFTP server
- Connect to an FTP server with a client that supports only SFTP

VOIP_CISCO_IPT.INPUT_USE_SECURE_FTP

Description

Acquire CCM or CUCM Bulk input files using secure FTP.

Component

UBA

Value

Default: `false`

Attribute: Writable

Location: Properties tab

Detail

The `INPUT_USE_SECURE_FTP` parameter specifies whether FTP (File Transfer Protocol) or SFTP (secure FTP) is used. To use FTP, specify the value `false`. Otherwise, to use SFTP, specify the value `true`. The default value is `false`.

To use the `sftp` command, you must have an SSH client installed on the servers where the Bulk input files reside and where the DataChannel is running. Typically, an SSH client is installed by default on most Unix systems. For more information, see your operating system documentation or the `sftp` manpage.

Note: *You cannot do the following:*

- Use an FTP client to connect to an SFTP server
- Connect to an FTP server with a client that supports only SFTP

VOIP_CISCO_IPT_PERFMON.DESIGNFILE

Description

JavaScript file that controls UBA for CUCM Perfmon metrics.

Component

UBA

Value

Default: CUCMPerfmonAdaptor.js

Attribute: Read-only

Location: Properties tab

Detail

Netcool/Proviso technology packs control the behavior of the DataChannel UBA application through instructions contained in Bulk Adaptor design (JavaScript) files. The `DESIGNFILE` parameter identifies the name of a technology pack's design file.

This is a read-only parameter. You cannot change the name of the technology pack's Bulk Adaptor design file.

VOIP_CISCO_IPT_PERFMON.INPUT_DIRECTORY

Description

Path to Bulk input files directory for CUCM Perfmon metrics.

Component

UBA

Value

Default: No default value

Attribute: Writable

Location: Properties tab

Detail

The `INPUT_DIRECTORY` parameter specifies the path to the directory where the generated Bulk input files should be stored.

Do not enter any subdirectories and the actual wildcards used to specify the Bulk input files to be acquired. Any subdirectories and wildcards are automatically specified in the `URI`-related parameters. An example of an input directory specification is `opt/uba`.

CUCM Perfmon metrics are accessed through SOAP requests.

VOIP_CISCO_IPT_PERFMON.INPUT_FTP_PASSWORD

Description

FTP or SFTP password for Bulk input files used for collecting Perfmon metrics in CUCM environments.

Component

UBA

Value

Default: No default value

Attribute: Writable

Location: Properties tab

Detail

The `INPUT_FTP_PASSWORD` parameter specifies the password that the server administrator assigned (using the `ftp` or `sftp` utility) to the FTP or SFTP user. The FTP or SFTP user specifies this password to gain access to the server on which the Bulk input files reside.

Likewise, the UBA uses this same password to gain access to the server on which the Bulk input files reside.

VOIP_CISCO_IPT_PERFMON.INPUT_FTP_USERNAME

Description

FTP or SFTP username for Bulk input files used for collecting Perfmon metrics in CUCM environments.

Component

UBA

Value

Default: No default value

Attribute: Writable

Location: Properties tab

Detail

The `INPUT_FTP_USERNAME` parameter specifies the username that the server administrator assigned (using the `ftp` or `sftp` utility) to the FTP or SFTP user. The FTP or SFTP user specifies this username to gain access to the server on which the Bulk input files reside.

Likewise, the UBA uses this same username to gain access to the server on which the Bulk input files reside.

VOIP_CISCO_IPT_PERFMON.INPUT_HOST

Description

Hostname for Bulk input files containing Perfmon metrics in CUCM environments.

Component

UBA

Value

Default: No default value

Attribute: Writable

Location: Properties tab

Detail

The `INPUT_HOST` parameter specifies the hostname of the server on which the Bulk input files reside. These are the files that the UBA parses.

VOIP_CISCO_IPT_PERFMON.INPUT_USE_SECURE_FTP

Description

Acquire CUCM Perfmon Bulk input files using secure FTP.

Component

UBA

Value

Default: `false`

Attribute: Writable

Location: Properties tab

Detail

The `INPUT_USE_SECURE_FTP` parameter specifies whether FTP (File Transfer Protocol) or SFTP (secure FTP) is used. To use FTP, specify the value `false`. Otherwise, to use SFTP, specify the value `true`. The default value is `false`.

To use the `sftp` command, you must have an SSH client installed on the servers where the Bulk input files reside and where the DataChannel is running. Typically, an SSH client is installed by default on most Unix systems. For more information, see your operating system documentation or the `sftp` manpage.

Note: *You cannot do the following:*

- Use an FTP client to connect to an SFTP server
- Connect to an FTP server with a client that supports only SFTP

VOIP_CISCO_IPT_PERFMON.PERFMON.DELETEONACQUIRE

Description

Deletes CUCM Perfmon Bulk input files after acquisition.

Component

UBA

Value

Default: false

Attribute: Writable

Location: Advanced Properties tab

Detail

The `PERFMON.DELETEONACQUIRE` parameter specifies whether the Bulk input files should be preserved after the UBA acquires them. A related parameter - `PERFMON.URI` - specifies the location of these Bulk input files.

Set this parameter to the value `true` to instruct this UBA application to delete the CUCM Perfmon Bulk input files after it acquires them. Otherwise, set this parameter to `false` to instruct this UBA application to preserve the Bulk input files after it acquires them.

VOIP_CISCO_IPT_PERFMON.PERFMON.URI

Description

CUCM Perfmon Bulk input files location.

Component

UBA

Value

Default: No default value

Attribute: Read-only

Location: Properties tab

Detail

The DataChannel applications that handle inventory and metrics must be directed to the location of the Bulk input files generated by the devices associated with the technology on which the application operates. The `PERFMON.URI` parameter specifies the location, in Universal Resource Identifier (URI) format, for the specified DataChannel applications to retrieve Bulk input files for CDR data.

A related parameter - `PERFMON.DELETEONACQUIRE` - specifies whether the UBA application should delete these Bulk input files after it acquires them.

Appendix C: Template File Reference

You should be reading this appendix after you have opened the `voip_cisco_ipt_sample_dc.cfg` template file for editing, as instructed to do so in Appendix A, *Configuration*.

Note: *The cross reference link to Appendix A, Configuration does not work due to a formatting limitation.*

This appendix provides a Unix reference page that identifies the pack-specific UBA parameters you need to add to the `dc.cfg` file and explains how to tailor the values to your specific deployment.

Pack-Specific UBA Parameters

Template File Name

`voip_cisco_ipt_sample_dc.cfg`

File Location

The `voip_cisco_ipt_sample_dc.cfg` template file resides in the following directory on the DataChannel server:

`DATA_CHANNEL_HOME/scripts (/opt/datachannel/scripts, by default)`

You were instructed to copy the `voip_cisco_ipt_sample_dc.cfg` template file in a configuration step (*Copy technology-specific files from the DataMart server to the DataChannel server*) described in Appendix A, *Configuration*.

Note: *The cross reference links to the configuration step and Appendix A, Configuration do not work due to a formatting limitation.*

Pack-Specific UBA Parameters

The `voip_cisco_ipt_sample_dc.cfg` template file provides the following pack-specific UBA parameters:

```
UBA.<channel_number>.<collector_number>.INSTANCES=<instance>
UBA.<channel_number>.<collector_number>.TIMEZONE=GMT
UBA.<channel_number>.<collector_number>.<instance>.DESIGNFILE=CCMAdaptor.js
UBA.<channel_number>.<collector_number>.<instance>.CCMINPUT.URI=<input_files_location>
UBA.<channel_number>.<collector_number>.<instance>.CCMINPUT.DELETEONACQUIRE=true
UBA.<channel_number>.<collector_number>.METRIC_STREAM_TYPE=BOF
UBA.<channel_number>.<collector_number>.DEBUG_WALKBACK_ON_ADAPTOR_ERROR=TRUE
UBA.<channel_number>.<collector_number>.SERVICE_INSTANCE=GLOBAL
UBA.<channel_number>.<collector_number>.INVENTORY_SUBELEMENT_FLUSH_THRESHOLD=1
```

Pack-Specific UBA Parameter Values

UBA Parameter Value	Meaning
<code><channel_number></code>	Replace with the channel number that was configured for this technology pack. This channel number appears in the <code>dc.cfg</code> file.
<code><collector_number></code>	Replace with the UBA Bulk Collector number that was configured for this technology pack. This collector number appears in the <code>dc.cfg</code> file.
<code><instance></code>	Replace the variable with an arbitrary string (for example, LOWELL) that identifies a group alias to be associated with subsequent lines in this section of the <code>dc.cfg</code> file. See <i>Additional Information on UBA Parameter Values</i> on page 486 for more information on this UBA parameter value.
<code><input_files_location></code>	<i>Specify the URIs of each CCM Publisher data source defined in the <code>odbc.ini</code> file.</i>

Additional Information on UBA Parameter Values

INSTANCES

The DataChannel UBA application supports multiple instances of technology packs running in a single channel component. Therefore, there must be a way to guarantee that the UBA parses the correct design file and reads the appropriate Bulk input files. The `INSTANCES` parameter helps ensure that the DataChannel UBA application performs the correct operation for a specific technology pack.

The Cisco IP Telephony Technology Pack provides an `INSTANCES` parameter in its `voip_cisco_ipt_sample_dc.cfg` template file. You supply an arbitrary string — referred to as a group alias — to the `INSTANCES` parameter. After you define the `INSTANCES` parameter with a specific string, make sure you specify this string wherever `<instance>` appears in the template file.

You can associate this group alias with any arbitrary string. For example, you might associate this group alias with the location (for example, BOSTON, LOWELL, BERLIN, PARIS, and so forth) of the data source.

URI

You must specify the Uniform Resource Identifier (URI) for each CCM Publisher bulk adaptor configured in the `dc.cfg` file.

The syntax for the URI is as follows. The variable portions of the URI string are indicated by italic text within brackets (`< >`):

```
UBA.2.215.SANFRANCISCO.CCMINPUT.URI=sqlodb:odbc*threaded/username=<userName>&
password=<password>&environment=<dataSourceName>
```

For example:

```
UBA.2.215.SANFRANCISCO.CCMINPUT.URI=sqlodb:odbc*threaded/username=sa&password
=netcool&environment=SANFRANCISCO
```

Note: *The URIs you specify in the `dc.cfg` file must match the URIs of each CCM Publisher data source defined in the `odbc.ini` file.*

Notes

Use the following guidelines to determine if you have the correct value for the UBA. <channel_number>. <collector_number>.DB_USERNAME parameter in the dc.cfg file:

- The UBA technology pack requires the DataChannel UBA application to process metrics only. In this scenario, the UBA technology pack provides a metrics schema in its design file. In this case, DB_USERNAME must be set to PV_COLL.
- The UBA technology pack requires the DataChannel UBA application to process both inventory and metrics. In this scenario, the UBA technology pack provides metrics and inventory schemas in its design file. In this case, DB_USERNAME must be set to PV_GUI.

For the Cisco IP Telephony Technology Pack, DB_USERNAME should be set to PV_GUI.

Examples

The following example shows the UBA parameter settings for the Cisco IP Telephony Technology Pack:

```
UBA.2.215.ROOT_DIRECTORY=/opt/datachannel
UBA.2.215.INSTANCE=SANFRANCISCO
UBA.2.215.RUNINTERVAL=1800
UBA.2.215.SANFRANCISCO.TIMEZONE=GMT
UBA.2.215.SANFRANCISCO.DESIGNFILE=CCMAdaptor.js
UBA.2.215.SANFRANCISCO.CCMINPUT.URI=sqlldb:odbc*threaded/username=sa&password=
netcool&environment=SANFRANCISCO
UBA.2.215.SANFRANCISCO.CCMINPUT.DELETEONACQUIRE=false
UBA.2.215.METRIC_STREAM_TYPE=BOF
UBA.2.215.DEBUG_WALKBACK_ON_ADAPTOR_ERROR=TRUE
UBA.2.215.DUAL_LOGGING=true
UBA.2.215.LOG_FILTER=FEWI 12345
UBA.2.215.SERVICE_INSTANCE=GLOBAL
UBA.2.215.COLLECTOR_LIST=215
UBA.2.215.DB_USERNAME=PV_GUI
UBA.2.215.DB_PASSWORD=AAAC
UBA.2.215.INVENTORY_SUBELEMENT_FLUSH_THRESHOLD=10
```

Additional Copyright Information

The following copyright information is for software used by Netcool/Proviso.

Tcl 8.3.3, Combat/TCL 0.7.3, Combat/TCL 0.7.5, TclIX 8.3, TK 8.3.3

This software is copyrighted by the Regents of the University of California, Sun Microsystems, Inc., Scriptics Corporation, and other parties. The following terms apply to all files associated with the software unless explicitly disclaimed in individual files.

The authors hereby grant permission to use, copy, modify, distribute, and license this software and its documentation for any purpose, provided that existing copyright notices are retained in all copies and that this notice is included verbatim in any distributions. No written agreement, license, or royalty fee is required for any of the authorized uses. Modifications to this software may be copyrighted by their authors and need not follow the licensing terms described here, provided that the new terms are clearly indicated on the first page of each file where they apply.

IN NO EVENT SHALL THE AUTHORS OR DISTRIBUTORS BE LIABLE TO ANY PARTY FOR DIRECT, INDIRECT, SPECIAL, INCIDENTAL, OR CONSEQUENTIAL DAMAGES ARISING OUT OF THE USE OF THIS SOFTWARE, ITS DOCUMENTATION, OR ANY DERIVATIVES THEREOF, EVEN IF THE AUTHORS HAVE BEEN ADVISED OF THE POSSIBILITY OF SUCH DAMAGE.

THE AUTHORS AND DISTRIBUTORS SPECIFICALLY DISCLAIM ANY WARRANTIES, INCLUDING, BUT NOT LIMITED TO, THE IMPLIED WARRANTIES OF MERCHANTABILITY, FITNESS FOR A PARTICULAR PURPOSE, AND NON-INFRINGEMENT. THIS SOFTWARE IS PROVIDED ON AN "AS IS" BASIS, AND THE AUTHORS AND DISTRIBUTORS HAVE NO OBLIGATION TO PROVIDE MAINTENANCE, SUPPORT, UPDATES, ENHANCEMENTS, OR MODIFICATIONS.

GOVERNMENT USE: If you are acquiring this software on behalf of the U.S. government, the Government shall have only "Restricted Rights" in the software and related documentation as defined in the Federal Acquisition Regulations (FARs) in Clause 52.227.19 (c) (2). If you are acquiring the software on behalf of the Department of Defense, the software shall be classified as "Commercial Computer Software" and the Government shall have only "Restricted Rights" as defined in Clause 252.227-7013 (c) (1) of DFARS. Notwithstanding the foregoing, the authors grant the U.S. Government and others acting in its behalf permission to use and distribute the software in accordance with the terms specified in this license.

SCOTTY Stack

This software is copyrighted by Juergen Schoenwaelder, the Technical University of Braunschweig, the University of Twente, and other parties. The following terms apply to all files associated with the software unless explicitly disclaimed in individual files.

The authors hereby grant permission to use, copy, modify, distribute, and license this software and its documentation for any purpose, provided that existing copyright notices are retained in all copies and that this notice is included verbatim in any distributions. No written agreement, license, or royalty fee is required for any of the authorized uses. Modifications to this software may be copyrighted by their authors and need not follow the licensing terms described here, provided that the new terms are clearly indicated on the first page of each file where they apply.

Windows Explorer.Ink

IN NO EVENT SHALL THE AUTHORS OR DISTRIBUTORS BE LIABLE TO ANY PARTY FOR DIRECT, INDIRECT, SPECIAL, INCIDENTAL, OR CONSEQUENTIAL DAMAGES ARISING OUT OF THE USE OF THIS SOFTWARE, ITS DOCUMENTATION, OR ANY DERIVATIVES THEREOF, EVEN IF THE AUTHORS HAVE BEEN ADVISED OF THE POSSIBILITY OF

SUCH DAMAGE.

THE AUTHORS AND DISTRIBUTORS SPECIFICALLY DISCLAIM ANY WARRANTIES, INCLUDING, BUT NOT LIMITED TO, THE IMPLIED WARRANTIES OF MERCHANTABILITY, FITNESS FOR A PARTICULAR PURPOSE,

AND NON-INFRINGEMENT. THIS SOFTWARE IS PROVIDED ON AN "AS IS" BASIS, AND THE AUTHORS AND DISTRIBUTORS HAVE NO OBLIGATION TO PROVIDE MAINTENANCE, SUPPORT, UPDATES, ENHANCEMENTS, OR MODIFICATIONS.

Various copyrights apply to this package, listed in 3 separate parts below. Please make sure that you include all the parts. Up until 2001, the project was based at UC Davis, and the first part covers all code written during this time. From 2001 onwards, the project has been based at SourceForge, and Networks Associates Technology, Inc hold the copyright on behalf of the wider Net-SNMP community, covering all derivative work done since then. An additional copyright section has been added as Part 3 below also under a BSD license for the work contributed by Cambridge Broadband Ltd. to the project since 2001.

Part 1: CMU/UCD copyright notice: (BSD like)

Copyright © 1989, 1991, 1992 by Carnegie Mellon University

Derivative Work - 1996, 1998-2000

Copyright © 1996, 1998-2000 The Regents of the University of California

All Rights Reserved

Permission to use, copy, modify and distribute this software and its documentation for any purpose and without fee is hereby granted, provided that the above copyright notice appears in all copies and that both that copyright notice and this permission notice appear in supporting documentation, and that the name of CMU and The Regents of the University of California not be used in advertising or publicity pertaining to distribution of the software without specific written permission.

CMU AND THE REGENTS OF THE UNIVERSITY OF CALIFORNIA DISCLAIM ALL WARRANTIES WITH REGARD TO THIS SOFTWARE, INCLUDING ALL IMPLIED WARRANTIES OF MERCHANTABILITY AND FITNESS. IN NO EVENT SHALL CMU OR THE REGENTS OF THE UNIVERSITY OF CALIFORNIA BE LIABLE FOR ANY SPECIAL, INDIRECT OR CONSEQUENTIAL DAMAGES OR ANY DAMAGES WHATSOEVER RESULTING FROM THE LOSS OF USE, DATA OR PROFITS, WHETHER IN AN ACTION OF CONTRACT, NEGLIGENCE OR OTHER TORTIOUS ACTION, ARISING OUT OF OR IN CONNECTION WITH THE USE OR PERFORMANCE OF THIS SOFTWARE.

Part 2: Networks Associates Technology, Inc copyright notice (BSD)

Copyright © 2001, Networks Associates Technology, Inc

All rights reserved.

Redistribution and use in source and binary forms, with or without modification, are permitted provided that the following conditions are met:

- Redistributions of source code must retain the above copyright notice, this list of conditions and the following disclaimer.
- Redistributions in binary form must reproduce the above copyright notice, this list of conditions and the following disclaimer in the documentation and/or other materials provided with the distribution.
- Neither the name of the NAI Labs nor the names of its contributors may be used to endorse or promote products derived from this software without specific prior written permission.

THIS SOFTWARE IS PROVIDED BY THE COPYRIGHT HOLDERS AND CONTRIBUTORS "AS IS" AND ANY EXPRESS OR IMPLIED WARRANTIES, INCLUDING, BUT NOT LIMITED TO, THE IMPLIED WARRANTIES OF MERCHANTABILITY AND FITNESS FOR A PARTICULAR PURPOSE ARE DISCLAIMED. IN NO EVENT SHALL THE COPYRIGHT HOLDERS OR CONTRIBUTORS BE LIABLE FOR ANY DIRECT, INDIRECT, INCIDENTAL, SPECIAL, EXEMPLARY, OR CONSEQUENTIAL DAMAGES (INCLUDING, BUT NOT LIMITED TO, PROCUREMENT OF SUBSTITUTE GOODS OR SERVICES; LOSS OF USE, DATA, OR PROFITS; OR BUSINESS INTERRUPTION) HOWEVER CAUSED AND ON ANY THEORY OF LIABILITY, WHETHER IN CONTRACT, STRICT LIABILITY, OR TORT (INCLUDING NEGLIGENCE OR OTHERWISE) ARISING IN ANY WAY OUT OF THE USE OF THIS SOFTWARE, EVEN IF ADVISED OF THE POSSIBILITY OF SUCH DAMAGE.

Part 3: Cambridge Broadband Ltd. copyright notice (BSD)

Portions of this code are copyright © 2001, Cambridge Broadband Ltd.

All rights reserved.

Redistribution and use in source and binary forms, with or without modification, are permitted provided that the following conditions are met:

- Redistributions of source code must retain the above copyright notice, this list of conditions and the following disclaimer.

- Redistributions in binary form must reproduce the above copyright notice, this list of conditions and the following disclaimer in the documentation and/or other materials provided with the distribution.
- The name of Cambridge Broadband Ltd. may not be used to endorse or promote products derived from this software without specific prior written permission.

THIS SOFTWARE IS PROVIDED BY THE COPYRIGHT HOLDER "AS IS" AND ANY EXPRESS OR IMPLIED WARRANTIES, INCLUDING, BUT NOT LIMITED TO, THE IMPLIED WARRANTIES OF MERCHANTABILITY AND FITNESS FOR A PARTICULAR PURPOSE ARE DISCLAIMED. IN NO EVENT SHALL THE COPYRIGHT HOLDER BE LIABLE FOR ANY DIRECT, INDIRECT, INCIDENTAL, SPECIAL, EXEMPLARY, OR CONSEQUENTIAL DAMAGES (INCLUDING, BUT NOT LIMITED TO, PROCUREMENT OF SUBSTITUTE GOODS OR SERVICES; LOSS OF USE, DATA, OR PROFITS; OR BUSINESS INTERRUPTION) HOWEVER CAUSED AND ON ANY THEORY OF LIABILITY, WHETHER IN CONTRACT, STRICT LIABILITY, OR TORT (INCLUDING NEGLIGENCE OR OTHERWISE) ARISING IN ANY WAY OUT OF THE USE OF THIS SOFTWARE, EVEN IF ADVISED OF THE POSSIBILITY OF SUCH DAMAGE.

BLT 2.4u

Portions (c) 1993 AT&T, (c) 1993 - 1998 Lucent Technologies, (c) 1994-1998 Sun Microsystems, Inc., and (c) 1987-1993 The Regents of the University of California.

Permission to use, copy, modify and distribute this software and its documentation for any purpose and without fee is hereby granted, provided that the above copyright notice appears in all copies and that both that copyright notice and this permission notice appear in supporting documentation, and that the names of AT&T, Lucent Technologies Inc., Sun Microsystems, Inc. and The Regents of the University of California not be used in advertising or publicity pertaining to distribution of the software without specific written permission.

THE COPYRIGHT HOLDERS AND OTHER CONTRIBUTORS DISCLAIM ALL WARRANTIES WITH REGARD TO THIS SOFTWARE, INCLUDING ALL IMPLIED WARRANTIES OF MERCHANTABILITY AND FITNESS. IN NO EVENT SHALL THE COPYRIGHT HOLDERS OR OTHER CONTRIBUTORS BE LIABLE FOR ANY SPECIAL, INDIRECT OR CONSEQUENTIAL DAMAGES OR ANY DAMAGES WHATSOEVER RESULTING FROM THE LOSS OF USE, DATA OR PROFITS, WHETHER IN AN ACTION OF CONTRACT, NEGLIGENCE OR OTHER TORTIOUS ACTION, ARISING OUT OF OR IN CONNECTION WITH THE USE OR PERFORMANCE OF THIS SOFTWARE.

CMU-SNMP 1.14

CMU/UCD copyright notice: (BSD like) Copyright 1989, 1991, 1992 by Carnegie Mellon University

Derivative Work - 1996, 1998-2000 Copyright 1996, 1998-2000 The Regents of the University of California

All Rights Reserved

Permission to use, copy, modify and distribute this software and its documentation for any purpose and without fee is hereby granted, provided that the above copyright notice appears in all copies and that both that copyright notice and this permission notice appear in supporting documentation, and that the name of CMU and The Regents of the University of California not be used in advertising or publicity pertaining to distribution of the software without specific written permission.

CMU AND THE REGENTS OF THE UNIVERSITY OF CALIFORNIA DISCLAIM ALL WARRANTIES WITH REGARD TO THIS SOFTWARE, INCLUDING ALL IMPLIED WARRANTIES OF MERCHANTABILITY AND FITNESS. IN NO EVENT SHALL CMU OR THE REGENTS OF THE UNIVERSITY OF CALIFORNIA BE LIABLE FOR ANY SPECIAL, INDIRECT OR CONSEQUENTIAL DAMAGES OR ANY DAMAGES WHATSOEVER RESULTING FROM THE LOSS OF USE, DATA OR PROFITS, WHETHER IN AN ACTION OF CONTRACT, NEGLIGENCE OR OTHER TORTIOUS ACTION, ARISING OUT OF OR IN CONNECTION WITH THE USE OR PERFORMANCE OF THIS SOFTWARE.

Scotty 2.8, incrTCL 3.0, [incr TCL] 3.2

Portions Copyright (c) 1987-1994 The Regents of the University of California. Copyright (c) 1994-1995 Sun Microsystems, Inc.

This software is copyrighted by the Regents of the University of California, Sun Microsystems, Inc., and other parties. The following terms apply to all files associated with the software unless explicitly disclaimed in individual files.

The authors hereby grant permission to use, copy, modify, distribute, and license this software and its documentation for any purpose, provided that existing copyright notices are retained in all copies and that this notice is included verbatim in any distributions. No written agreement, license, or royalty fee is required for any of the authorized uses. Modifications to this software may be copyrighted by their authors and need not follow the licensing terms described here, provided that the new terms are clearly indicated on the first page of each file where they apply.

IN NO EVENT SHALL THE AUTHORS OR DISTRIBUTORS BE LIABLE TO ANY PARTY FOR DIRECT, INDIRECT, SPECIAL, INCIDENTAL, OR CONSEQUENTIAL DAMAGES ARISING OUT OF THE USE OF THIS SOFTWARE, ITS DOCUMENTATION, OR ANY DERIVATIVES THEREOF, EVEN IF THE AUTHORS HAVE BEEN ADVISED OF THE POSSIBILITY OF SUCH DAMAGE.

THE AUTHORS AND DISTRIBUTORS SPECIFICALLY DISCLAIM ANY WARRANTIES, INCLUDING, BUT NOT LIMITED TO, THE IMPLIED WARRANTIES OF MERCHANTABILITY, FITNESS FOR A PARTICULAR PURPOSE, AND NON-INFRINGEMENT. THIS SOFTWARE IS PROVIDED ON AN "AS IS" BASIS, AND THE AUTHORS AND DISTRIBUTORS HAVE NO OBLIGATION TO PROVIDE MAINTENANCE, SUPPORT, UPDATES, ENHANCEMENTS, OR MODIFICATIONS.

RESTRICTED RIGHTS: Use, duplication or disclosure by the government is subject to the restrictions as set forth in subparagraph (c) (1) (ii) of the Rights in Technical Data and Computer Software Clause as DFARS 252.227-7013 and FAR 52.227-19.

Portions Copyright (c) 1993-1998 Lucent Technologies, Inc.

Permission to use, copy, modify, and distribute this software and its documentation for any purpose and without fee is hereby granted, provided that the above copyright notice appear in all copies and that both that the copyright notice and warranty disclaimer appear in supporting documentation, and that the names of Lucent Technologies any of their entities not be used in advertising or publicity pertaining to distribution of the software without specific, written prior permission.

Lucent disclaims all warranties with regard to this software, including all implied warranties of merchantability and fitness. In no event shall Lucent be liable for any special, indirect or consequential damages or any damages whatsoever resulting from loss of use, data or profits, whether in an action of contract, negligence or other tortious action, arising out of or in connection with the use or performance of this software.

UCD SNMP 4.2.5

Portions Copyright 1989, 1991, 1992 by Carnegie Mellon University. Derivative Work - 1996, 1998-2000, Copyright 1996, 1998-2000 The Regents of the University of California All Rights Reserved

Permission to use, copy, modify and distribute this software and its documentation for any purpose and without fee is hereby granted, provided that the above copyright notice appears in all copies and that both that copyright notice and this permission notice appear in supporting documentation, and that the name of CMU and The Regents of the University of California not be used in advertising or publicity pertaining to distribution of the software without specific written permission.

CMU AND THE REGENTS OF THE UNIVERSITY OF CALIFORNIA DISCLAIM ALL WARRANTIES WITH REGARD TO THIS SOFTWARE, INCLUDING ALL IMPLIED WARRANTIES OF MERCHANTABILITY AND FITNESS. IN NO EVENT SHALL CMU OR THE REGENTS OF THE UNIVERSITY OF CALIFORNIA BE LIABLE FOR ANY SPECIAL, INDIRECT OR CONSEQUENTIAL DAMAGES OR ANY DAMAGES WHATSOEVER RESULTING FROM THE LOSS OF USE, DATA OR PROFITS, WHETHER IN AN ACTION OF CONTRACT, NEGLIGENCE OR OTHER TORTIOUS ACTION, ARISING OUT OF OR IN CONNECTION WITH THE USE OR PERFORMANCE OF THIS SOFTWARE.

Portions Copyright: (c) 2001-2003, Networks Associates Technology, Inc, (c) 2001-2003, Cambridge Broadband Ltd, (c) 2003-2005, Sparta, Inc., (c) 2004, Cisco, Inc and Information Network Center of Beijing University of Posts and Telecommunications, (c) Fabasoft R&D Software GmbH & Co KG, 2003 oss@fabasoft.com. All rights reserved.

Redistribution and use in source and binary forms, with or without modification, are permitted provided that the following conditions are met:

1. Redistributions of source code must retain the above copyright notice, this list of conditions and the following disclaimer.
2. Redistributions in binary form must reproduce the above copyright notice, this list of conditions and the following disclaimer in the documentation and/or other materials provided with the distribution.

3. Neither the names of Networks Associates Technology, Inc, Cambridge Broadband Ltd., Sparta, Inc., Cisco, Inc, Beijing University of Posts and Telecommunications, Fabasoft R&D Software GmbH & Co KG or any of its subsidiaries, brand or product names, nor the names of their contributors may be used to endorse or promote products derived from this software without specific prior written permission.

THIS SOFTWARE IS PROVIDED BY THE COPYRIGHT HOLDERS AND CONTRIBUTORS ``AS IS" AND ANY EXPRESS OR IMPLIED WARRANTIES, INCLUDING, BUT NOT LIMITED TO, THE IMPLIED WARRANTIES OF MERCHANTABILITY AND FITNESS FOR A PARTICULAR PURPOSE ARE DISCLAIMED. IN NO EVENT SHALL THE COPYRIGHT HOLDERS OR CONTRIBUTORS BE LIABLE FOR ANY DIRECT, INDIRECT, INCIDENTAL, SPECIAL, EXEMPLARY, OR CONSEQUENTIAL DAMAGES (INCLUDING, BUT NOT LIMITED TO, PROCUREMENT OF SUBSTITUTE GOODS OR SERVICES; LOSS OF USE, DATA, OR PROFITS; OR BUSINESS INTERRUPTION) HOWEVER CAUSED AND ON ANY THEORY OF LIABILITY, WHETHER IN CONTRACT, STRICT LIABILITY, OR TORT (INCLUDING NEGLIGENCE OR OTHERWISE) ARISING IN ANY WAY OUT OF THE USE OF THIS SOFTWARE, EVEN IF ADVISED OF THE POSSIBILITY OF SUCH DAMAGE.

JDOM 1.0

Copyright (C) 2000-2004 Jason Hunter & Brett McLaughlin. All rights reserved.

Redistribution and use in source and binary forms, with or without modification, are permitted provided that the following conditions are met:

1. Redistributions of source code must retain the above copyright notice, this list of conditions, and the following disclaimer.
2. Redistributions in binary form must reproduce the above copyright notice, this list of conditions, and the disclaimer that follows these conditions in the documentation and/or other materials provided with the distribution.
3. The name "JDOM" must not be used to endorse or promote products derived from this software without prior written permission. For written permission, please contact <request_AT_jdom_DOT_org>.
4. Products derived from this software may not be called "JDOM", nor may "JDOM" appear in their name, without prior written permission from the JDOM Project Management <request_AT_jdom_DOT_org>.

In addition, we request (but do not require) that you include in the end-user documentation provided with the redistribution and/or in the software itself an acknowledgement equivalent to the following:

"This product includes software developed by the JDOM Project (<http://www.jdom.org/>)." Alternatively, the acknowledgment may be graphical using the logos available at <http://www.jdom.org/images/logos>.

THIS SOFTWARE IS PROVIDED ``AS IS" AND ANY EXPRESSED OR IMPLIED WARRANTIES, INCLUDING, BUT NOT LIMITED TO, THE IMPLIED WARRANTIES OF MERCHANTABILITY AND FITNESS FOR A PARTICULAR PURPOSE ARE DISCLAIMED. IN NO EVENT SHALL THE JDOM AUTHORS OR THE PROJECT CONTRIBUTORS BE LIABLE FOR ANY DIRECT, INDIRECT, INCIDENTAL, SPECIAL, EXEMPLARY, OR CONSEQUENTIAL DAMAGES (INCLUDING, BUT NOT LIMITED TO, PROCUREMENT OF SUBSTITUTE GOODS OR SERVICES; LOSS OF USE, DATA, OR PROFITS; OR BUSINESS INTERRUPTION) HOWEVER CAUSED AND ON ANY THEORY OF LIABILITY, WHETHER IN CONTRACT, STRICT LIABILITY, OR TORT (INCLUDING NEGLIGENCE OR OTHERWISE) ARISING IN ANY WAY OUT OF THE USE OF THIS SOFTWARE, EVEN IF ADVISED OF THE POSSIBILITY OF SUCH DAMAGE.

This software consists of voluntary contributions made by many individuals on behalf of the JDOM Project and was originally created by Jason Hunter <jhunter_AT_jdom_DOT_org> and Brett McLaughlin <brett_AT_jdom_DOT_org>. For more information on the JDOM Project, please see <<http://www.jdom.org/>>.

Regex 1.1a

Copyright (C) 1996, 1999 Vassili Bykov. It is provided to the Smalltalk community in hope it will be useful.

1. This license applies to the package as a whole, as well as to any component of it. By performing any of the activities described below, you accept the terms of this agreement.
2. The software is provided free of charge, and ``as is", in hope that it will be useful, with ABSOLUTELY NO WARRANTY. The entire risk and all responsibility for the use of the software is with you. Under no circumstances the author may be held responsible

for loss of data, loss of profit, or any other damage resulting directly or indirectly from the use of the software, even if the damage is caused by defects in the software.

3. You may use this software in any applications you build.
4. You may distribute this software provided that the software documentation and copyright notices are included and intact.
5. You may create and distribute modified versions of the software, such as ports to other Smalltalk dialects or derived work, provided that:
 - a. any modified version is expressly marked as such and is not misrepresented as the original software;
 - b. credit is given to the original software in the source code and documentation of the derived work;
 - c. the copyright notice at the top of this document accompanies copyright notices of any modified version.

Xwpick

Copyright © 1993, 1994 by Evgeni Chernyaev

Permission to use, copy, modify, and distribute this software and its documentation for non-commercial purpose is hereby granted without fee, provided that the above copyright notice appear in all copies and that both the copyright notice and this permission notice appear in supporting documentation. Xwpick is used for printing utilities.

Sieve of Erasthones

Copyright Frank Pilhofer, fp@fpx.de

Redistribution and use in source and binary forms, with or without modification, are permitted provided that the following conditions are met:

Redistributions of source code must retain the above copyright notice, this list of conditions and the following disclaimer.

Redistributions in binary form must reproduce the above copyright notice, this list of conditions and the following disclaimer in the documentation and/or other materials provided with the distribution.

Neither the name of Frank Pilhofer nor the names of its contributors may be used to endorse or promote products derived from this software without specific prior written permission.

THIS SOFTWARE IS PROVIDED BY THE COPYRIGHT HOLDERS AND CONTRIBUTORS "AS IS" AND ANY EXPRESS OR IMPLIED WARRANTIES, INCLUDING, BUT NOT LIMITED TO, THE IMPLIED WARRANTIES OF MERCHANTABILITY AND FITNESS FOR A PARTICULAR PURPOSE ARE DISCLAIMED. IN NO EVENT SHALL THE COPYRIGHT OWNER OR CONTRIBUTORS BE LIABLE FOR ANY DIRECT, INDIRECT, INCIDENTAL, SPECIAL, EXEMPLARY, OR CONSEQUENTIAL DAMAGES (INCLUDING, BUT NOT LIMITED TO, PROCUREMENT OF SUBSTITUTE GOODS OR SERVICES; LOSS OF USE, DATA, OR PROFITS; OR BUSINESS INTERRUPTION) HOWEVER CAUSED AND ON ANY THEORY OF LIABILITY, WHETHER IN CONTRACT, STRICT LIABILITY, OR TORT (INCLUDING NEGLIGENCE OR OTHERWISE) ARISING IN ANY WAY OUT OF THE USE OF THIS SOFTWARE, EVEN IF ADVISED OF THE POSSIBILITY OF SUCH DAMAGE.

Free Manuals Download Website

<http://myh66.com>

<http://usermanuals.us>

<http://www.somanuals.com>

<http://www.4manuals.cc>

<http://www.manual-lib.com>

<http://www.404manual.com>

<http://www.luxmanual.com>

<http://aubethermostatmanual.com>

Golf course search by state

<http://golfingnear.com>

Email search by domain

<http://emailbydomain.com>

Auto manuals search

<http://auto.somanuals.com>

TV manuals search

<http://tv.somanuals.com>