

Hardware Maintenance Manual

A40 Type 6840

A40P Type 6841

A40i Type 2271



# IBM NetVista Computer



Hardware Maintenance Manual

A40 Type 6840

A40P Type 6841

A40i Type 2271



# IBM NetVista Computer

Note:

Before using this information and the product it supports, be sure to read the general information under "Notices" on page 138.

**Second Edition (November 2000)**

**The following paragraph does not apply to the United Kingdom or any country where such provisions are inconsistent with local law:**

INTERNATIONAL BUSINESS MACHINES CORPORATION PROVIDES THIS PUBLICATION "AS IS" WITHOUT ANY WARRANTY OF ANY KIND, EITHER EXPRESS OR IMPLIED, INCLUDING, BUT NOT LIMITED TO, THE LIMITED WARRANTIES OF MERCHANTABILITY OR FITNESS FOR A PARTICULAR PURPOSE. Some states do not allow disclaimers or express or implied warranties in certain transactions; therefore, this statement may not apply to you.

This publication could include technical inaccuracies or typographical errors. Changes are periodically made to the information herein; these changes will be incorporated in new editions of the publication. IBM may make improvements or changes in the products or the programs described in this publication at any time.

Requests for technical information about IBM products should be made to your IBM Authorized Dealer or your IBM Marketing Representative.

© Copyright International Business Machines Corporation 2000. All rights reserved.

US Government Users Restricted Rights – Use, duplication or disclosure restricted by GSA ADP Schedule Contract with IBM Corp.

# Contents

## Chapter 1. General Checkout. . . . . 1

## Chapter 2. General Information . . . . . 3

Features . . . . . 3

Specifications . . . . . 5

## Chapter 3. Diagnostics . . . . . 7

Setup Utility program . . . . . 7

Product Recovery Program menu . . . . . 8

Diagnostics . . . . . 8

    Diagnostics download . . . . . 8

    Navigating through the diagnostic programs . . . . . 9

    Running diagnostic tests . . . . . 9

    Test selection . . . . . 9

    Module test menu/hardware configuration report . . . . . 9

    Memory Diagnostic tests . . . . . 10

    Alert-On LAN™ test . . . . . 10

    Asset ID™ test . . . . . 10

    Test results . . . . . 10

    Hard file Smart test. . . . . 11

    Fixed Disk Optimized Test . . . . . 11

    Quick and Full erase - hard drive . . . . . 12

    Iomega Zip drive test . . . . . 12

    Asset EEPROM backup . . . . . 12

    Viewing the test log . . . . . 13

When to use the Low-Level Format program . . . . . 13

Preparing the hard disk drive for use. . . . . 13

## Chapter 4. Installing Options . . . . . 15

Input/Output connectors . . . . . 15

Removing the cover . . . . . 15

Internal drive removal and replacement . . . . . 16

    Installing internal drives in bays 1, 2, 3 and 4 . . . . . 17

        CD-ROM drive jumper settings. . . . . 18

    Installing internal drives in bays 5, 6 and 7. . . . . 18

        Hard disk drive jumper settings . . . . . 21

Installing a security U-bolt . . . . . 21

Installing adapters . . . . . 22

    Adapter slots . . . . . 22

    AGP adapter . . . . . 24

    Audio adapter . . . . . 25

    ADSL modem . . . . . 25

    Home PNA network adapter . . . . . 25

Replacing the cover. . . . . 26

## Chapter 5. FRU Replacements. . . . . 27

Computer exploded view. . . . . 28

A40/A40P/A40i system board layout . . . . . 29

    System board locations . . . . . 29

    System board jumper settings . . . . . 29

        Clear CMOS/Flash Boot Block Recovery. . . . . 30

        Processor Speed Settings . . . . . 30

    System board memory. . . . . 30

        Installing memory . . . . . 30

    PCI extender card removal . . . . . 31

    Replacing a system board . . . . . 31

    Replacing a processor . . . . . 32

    Replacing the speaker . . . . . 32

    Power supply . . . . . 33

        20-pin main power supply connection . . . . . 33

        Power supply removal. . . . . 34

## Chapter 6. Symptom-to-FRU Index . . . . . 37

SIMM/DIMM/RIMM memory errors. . . . . 37

Hard disk drive boot error . . . . . 38

Diagnostic error codes. . . . . 39

Beep symptoms . . . . . 57

No-beep symptoms. . . . . 58

POST error codes . . . . . 59

Miscellaneous error messages . . . . . 73

Undetermined problems . . . . . 75

## Chapter 7. Parts. . . . . 77

Parts listing . . . . . 78

Keyboards (PCNext Lite Pearl White). . . . . 81

Computer Power Cords . . . . . 83

Recovery CDs - Machine Type 6840, 6841 . . . . . 83

Recovery CDs Win 98 Machine - Type 6840, 6841. . . . . 84

Recovery CDs Win 2000 - Machine Type 6840, 6841 . . . . . 84

Special tools . . . . . 84

## Chapter 8. Additional Service Information . . . . . 85

Security features. . . . . 85

    Passwords. . . . . 85

        Power-on password . . . . . 85

        Removing a power-on password . . . . . 85

        Administrator password . . . . . 86

        Administrator password control . . . . . 86

        Operating system password . . . . . 86

    Vital product data . . . . . 86

    Management Information Format (MIF) . . . . . 86

    Alert on LAN . . . . . 87

BIOS levels . . . . . 87

Flash (BIOS/VPD) update procedure . . . . . 88

Flash recovery boot block jumper . . . . . 88

Power management . . . . . 89

    Automatic configuration and power interface

    (ACPI) BIOS . . . . . 89

    Advanced Power Management . . . . . 89

    Automatic Hardware Power Management

    features. . . . . 89

    Setting Automatic Hardware Power Management

    features. . . . . 90

    Automatic Power-On features . . . . . 90

Network settings . . . . . 90

    Flash over LAN (update POST/BIOS over

    network) . . . . . 91

    Wake on LAN . . . . . 91

**Chapter 9. About this manual . . . . . 93**

Important Safety Information . . . . . 93

**Chapter 10. Related Service Information . . . . . 95**

Safety notices (multi-lingual translations) . . . . . 95

Safety Information. . . . . 125

    General Safety . . . . . 125

    Grounding requirements . . . . . 125

    Electrical safety. . . . . 125

    Handling electrostatic discharge-sensitive devices . . . . . 127

    Safety inspection guide . . . . . 127

Problem determination tips. . . . . 129

    File updates . . . . . 129

    Adding adapters to the system . . . . . 130

    Software considerations . . . . . 130

        BIOS . . . . . 130

        Drivers . . . . . 130

    Hardware considerations . . . . . 131

    System resource conflicts . . . . . 132

Miscellaneous Information . . . . . 134

    Acronyms, Abbreviations, and Terms . . . . . 134

Send Us Your Comments! . . . . . 136

Notices . . . . . 138

Trademarks . . . . . 139

---

## Chapter 1. General Checkout

This general checkout procedure is for type 2271/6840/6841 computers.

**Attention:**

The drives in the computer you are servicing might have been rearranged or the drive startup sequence changed. Be extremely careful during write operations such as copying, saving or formatting. Data or programs can be overwritten if you select an incorrect drive.

Diagnostic error messages appear when a test program finds a problem with a hardware option. For the test programs to properly determine if a test *Passed*, *Failed* or *Aborted*, the test programs check the error-return code at test completion. See "Diagnostics" on page 8.

General error messages appear if a problem or conflict is found by an application program, the operating system, or both. For an explanation of these messages, refer to the information supplied with that software package.

**Notes:**

- Type 2271/6840/6841 computers default to come up quiet (no beep and no memory count and checkpoint code display) when no errors are detected by POST.
- To enable beep and memory count and checkpoint code display when a successful POST occurs, do the following:
  1. Select **Start Options** in the Configuration/Setup Utility program (see "Setup Utility program" on page 7).
  2. Set **Power-On Self-Test** to **Enhanced**.
- Before replacing any FRUs, ensure that the latest level of BIOS is installed on the system. A down-level BIOS might cause false errors and unnecessary replacement of the system board. For more information on how to determine and obtain the latest level BIOS, see "BIOS levels" on page 87.
- If multiple error codes are displayed, diagnose the first error code displayed.
- If the computer hangs with a POST error, go to "Symptom-to-FRU Index" on page 37.
- If the computer hangs and no error is displayed, go to "Undetermined problems" on page 75.
- If an installed device is not recognized by diagnostics, that device might be defective.

**001**

1. Power-off the computer and all external devices.
2. Check all cables and power cords.
3. Make sure the system board is seated properly.
4. Set all display controls to the middle position.
5. Power-on all external devices.
6. Power-on the computer.
7. Check for the following response:
  - Readable instructions or the Main Menu.

**DID YOU RECEIVE THE CORRECT RESPONSE?**

If NO, continue to **002** .

If YES, proceed to **003** .

#### **002** ■

If the Power Management feature is enabled, do the following:

1. Start the Configuration/Setup Utility program (see “Setup Utility program” on page 7)
2. Select **Power Management** from the Configuration/Setup Utility program menu.
3. Select **APM**.
4. Be sure **APM BIOS Mode** is set to **Disabled**. If it is not, press Left Arrow (←) or Right Arrow (→) to change the setting.
5. Select **Automatic Hardware Power Management**.
6. Set **Automatic Hardware Power Management** to **Disabled**.
7. If the problem persists, continue to **003** .

#### **003** ■

Run diagnostics. If necessary, refer to “Diagnostics” on page 8.

- If you receive an error, replace the part that diagnostics calls out or go to “Symptom-to-FRU Index” on page 37.
- If the test stops and you cannot continue, replace the last device tested.



---

## Chapter 2. General Information

---

### Features

The NetVista type 2271/6840/6841 computers are available in 5 x 7 (five I/O adapter slots, plus one AGP slot, and seven drive bays).

- Type 2271 is the minitower with the A40 board and modem.
- Type 6840 is the minitower with the A40 board.
- Type 6841 is the minitower with the A40P board.

Not all models come with all features summarized here.

#### Microprocessor

Intel® Pentium® III microprocessor with 256 KB of internal L2 cache memory

#### Memory

- Support for dual inline memory modules (DIMMs)
  - 3.3 V, synchronous, 168-pin, unbuffered, 133 MHz nonparity synchronous dynamic random access memory (SDRAM)
  - 64 MB, 128 MB and 256 MB unbuffered nonparity DIMMs for a maximum of 512 MB
  - DIMM heights of 38.1 mm (1.5 inches)
- 512 KB flash memory for system programs

#### Internal drives

- 3.5-inch, 1.44 MB diskette drive
- Internal hard disk drive
- EIDE CD or DVD drive (some models)

#### Video controller

- Dynamic video memory technology
- Accelerated graphics port (AGP) adapter (some models)

#### Audio subsystem

16-bit integrated Sound Blaster Pro compatible audio subsystem

#### Connectivity

- 10/100 Mbps Ethernet adapter that supports Wake on LAN (some models)
- Modem (some models)

#### System management features

- Remote Program Load (RPL) and Dynamic Host Configuration Protocol (DHCP)
- Wake on LAN® (requires Wake on LAN-supported network adapter)
- Wake on Ring (in the Configuration/Setup Utility program, this feature is called Serial Port Ring Detect for an external modem and Modem Ring Detect for an internal modem)
- Wake on Alarm
- Remote Administration (the ability to update POST and BIOS over the network)
- Automatic power-on startup
- System Management (SM) BIOS and SM software
- Ability to store POST hardware test results

**Input/output features**

- 25-pin, ECP/EPP parallel port
- One or two 9-pin serial ports
- Four 4-pin, USB ports
- Standard mouse port
- Standard keyboard port
- 15-pin monitor port
- Three audio connectors (line/headphone out, line in, and microphone)
- Joystick/MIDI connectors (some models)

**Expansion**

- Drive bays: 7
- PCI expansion slots: 5
- One AGP expansion slot

**Power**

- 200 W power supply with manual voltage selection switch
- Automatic 50/60 Hz input frequency switching
- Advanced Power Management support
- Advance Configuration and Power Interface (ACPI) support

**Security features**

- Power-on and administrator passwords
- Cover keylock
- Support for the addition of a U-bolt and lockable cable
- Startup sequence control
- Startup without diskette drive, keyboard, or mouse
- Unattended start mode
- Diskette and hard disk I/O control
- Serial and parallel port I/O control
- Security profile by device

**IBM preinstalled software**

This computer might come with preinstalled software. If so, an operating system, device drivers to support built-in features, and other support programs are included.

**Operating systems (supported)**

- Microsoft® Windows® 2000 Professional
- Microsoft Windows NT® Workstation Version 4.0 with Service Pack 6
- Microsoft Windows 98 SE
- Microsoft Millennium

**Operating systems (tested for compatibility)<sup>1</sup>**

- Microsoft Windows 95
- DOS 2000
- SCO OpenServer 5.0.2 and later
- IBM OS/2® Warp Connect 3.0
- IBM OS/2 Warp 4.0
- IBM OS/2 LAN Server 3.0 and 4.0
- Linux: Red hat, Caldera, SuSE., and Pacific High Tech

---

1. The operating systems listed here are being tested for compatibility at the time this publication goes to press. Additional operating systems might be identified by IBM as compatible with your computer following the publication of this booklet. Corrections and additions to this list are subject to change. To determine if an operating system has been tested for compatibility, check the Web site of the operating system vendor.

- Sun Solaris 2.5.1 or later
- Novell NetWare Versions 3.2, 4.11, 5.0

## Specifications

<p><b>Dimensions</b>  Height: 445 mm (17.5 in.)  Width: 165 mm (6.5 in.)  Depth: 502 mm (20.5 in.)</p> <p><b>Weight</b>  Minimum configuration as shipped: 14.0 kg (30 lb)  Maximum configuration: 17.3 kg (38.0 lb)</p> <p><b>Environment</b>  Air temperature:  System on: 10° to 35°C (50° to 95° F)  System off: 10° to 43° C (50° to 110° F)  Maximum altitude: 2134 m (7000 ft)  <b>Note:</b> The maximum altitude, 2134 m (7000 ft.), is the maximum altitude at which the specified air temperatures apply. At higher altitudes, the maximum air temperatures are lower than those specified.  Humidity:  System on: 8% to 80%  System off: 8% to 80%</p> <p><b>Heat output</b> (approximate) in British thermal units (Btu) per hour:  Minimum configuration: 240 Btu/hr. (75 watts)  Maximum configuration: 940 Btu/hr. (275 watts)</p> <p><b>Airflow</b>  Approximately 0.34 cubic meters per minute (12 cubic feet per minute) maximum</p>	<p><b>Electrical input</b>  Input voltage:  Low range:  Minimum: 90 V ac  Maximum: 137 V ac  Input frequency range: 57–63 Hz  Voltage switch setting: 115 V ac  High range:  Minimum: 180 V ac  Maximum: 265 V ac  Input frequency range: 47–53 Hz  Voltage switch setting: 230 V ac  Input kilovolt-amperes (kVA) (approximate):  Minimum configuration as shipped: 0.08 kVA  Maximum configuration: 0.3 kVA  <b>Note:</b> Power consumption and heat output vary depending on the number and type of optional features installed and the power-management optional features in use.</p> <p><b>Acoustical noise-emission values</b>  Average sound-pressure levels:  At operator position:  Idle: 38 dBA  Operating: 43 dBA  At bystander position - 1 meter (3.3 ft):  Idle: 33 dBA  Operating: 37 dBA  Declared (upper limit) sound-power levels:  Idle: 4.8 bels  Operating: 5.1 bels</p>
--	---

**Note:** The noise-emission levels were measured in controlled acoustical environments according to the procedures specified by the American National Standards Institute (ANSI) S12.10 and ISO 7779 and are reported in accordance with ISO 9296. Actual sound-pressure levels in a given location might exceed the average values stated because of room reflections and other nearby noise sources. The declared sound-power levels indicate an upper limit, below which a large number of computers will operate.

For additional information, see the *ISO Supplier's Declaration*, which is available from IBM.



---

## Chapter 3. Diagnostics

Setup Utility program . . . . .	7	Asset ID™ test . . . . .	10
Product Recovery Program menu . . . . .	8	Test results . . . . .	10
Diagnostics . . . . .	8	Hard file Smart test. . . . .	11
Diagnostics download . . . . .	8	Fixed Disk Optimized Test . . . . .	11
Navigating through the diagnostic programs . . . . .	9	Quick and Full erase - hard drive . . . . .	12
Running diagnostic tests . . . . .	9	Iomega Zip drive test . . . . .	12
Test selection . . . . .	9	Asset EEPROM backup . . . . .	12
Module test menu/hardware configuration report . . . . .	9	Viewing the test log . . . . .	13
Memory Diagnostic tests . . . . .	10	When to use the Low-Level Format program . . . . .	13
Alert-On LAN™ test . . . . .	10	Preparing the hard disk drive for use. . . . .	13

The following tools are available to help identify and resolve hardware-related problems.

- Setup Utility program
- Power-On Self-Test (POST)
  - POST Beep Codes
  - Error Code Format
- Diagnostics program
- Recovery utility
  - Full recovery
  - Partial recovery
- Repair utility

---

### Setup Utility program

**Attention:**

A customized setup configuration (other than default settings) might exist on the computer you are servicing. Running the Setup Utility program might alter those settings. Note the current configuration settings and verify that the settings are in place when service is complete.

The Setup Utility (configuration) program is stored in the permanent memory of the computer. This program includes settings for the following:

- System Summary
- Product Data
- Devices and I/O Ports
- Start Options
- Date and Time
- System Security
- Advanced Setup
- Power Management

To run the Setup Utility program, use the following procedure.

1. Power-off the computer and wait for a few seconds until all in-use lights go off.
2. Power-on the computer.

3. When the Setup Utility prompt appears on the screen during start-up, press **F1**. The Setup Utility menu will appear.
4. Follow the instructions on the screen.
5. When finished, select **System Summary** to verify that any configuration changes have been accepted.

---

## Product Recovery Program menu

Type 2271/6840/6841 machines have recovery and diagnostics programs on a separate hard drive partition. The Diagnostics diskette is not shipped with the machine or the HMM. To download the diagnostics program, see "Diagnostics download" on page 8.

At startup, after the machine tests the SIMM/DIMM memory (if Power-on Self Test is set to **Enhanced**), the machine displays the following prompt:

**To start the Product Recovery Program, press F11**

After depressing F11, you are given the following options.

- **Full recovery**  
This utility reformats the hard drive and restores all original files.
- **Partial recovery**  
This utility reformats the hard drive and restores the Windows operating system and all device drivers
- **Repair**  
This is the emergency repair utility, and should not be used to install Windows components.
- **System utilities**
  1. Run diagnostics
  2. System info
  3. Create recovery/ repair diskette

---

## Diagnostics

The diagnostic programs use a full range of diagnostic utilities to determine the operating condition of the computer's hardware components.

For a complete list of error codes and messages, see "Symptom-to-FRU Index" on page 37.

### Diagnostics download

To download the diagnostic programs, do the following:

- Go to <http://www.ibm.com/>.
- Select **Support**.
- Select **Desktop computing** from the "Search by Category" pull-down menu.
- Select **NetVista** from the "Product Family" list.
- Search for the machine type in the "Quick Path" box on the left.
- Select **Diagnostics** from the "Downloadable files by Category" pull-down menu or go directly to the link **PC Enhanced Diagnostics diskette** from the "Downloadable files by date" list. This link will take you to the self-starting utility download and instructions.

## Navigating through the diagnostic programs

Use the cursor movement keys to navigate within the menus.

- The **Enter** key is used to select a menu item.
- The **Esc** key is used to back up to the previous menu.
- For online help select **F1**.

## Running diagnostic tests

There are four ways to run the diagnostic tests.

1. Using the cursor movement keys, highlight **Run Normal Test** or **Run Quick Test** from the Diagnostics menu and then press **Enter**.

This will automatically run a pre-defined group of tests from each test category. **Run Normal Test** runs a more extensive set of tests than does **Run Quick Test** and takes longer to execute.

2. Press **F5** to automatically run all selected tests in all categories. See "Test Selection".
3. From within a test category, press **Ctrl-Enter** to automatically run only the selected tests in that category. See "Test Selection".
4. Using the cursor movement keys, highlight a single test within a test category, then press **Enter**. This will run only that test.

Press **Esc** at any time to stop the testing process.

Test results, (N/A, PASSED, FAILED, ABORTED), are displayed in the field beside the test description and in the test log. See "Viewing the test log" on page 13.

## Test selection

To select one or more tests, use the following procedure.

1. Open the corresponding test category.
2. Using the cursor movement keys, highlight the desired test.
3. Press the space bar.

A selected test is marked by >>. Pressing the space bar again de-selects a test and removes the chevron.

4. Repeat steps 2 and 3 above to select all desired tests.

## Module test menu/hardware configuration report

Depending on the diagnostic version level you are using, the installed devices in the computer are verified in one of two ways.

1. At the start of the diagnostic tests, the Module Test Menu is displayed. Normally, all installed devices in the computer are highlighted on the menu.
2. At the start of the diagnostic tests, the main menu appears. From this menu, select **System Info**, then select **Hardware Configuration** from the next menu. Normally, all installed devices in the computer are highlighted on this report.

If an installed device is not recognized by diagnostic, then review the following:

- The diagnostic code for the device is not in the diagnostic programs. Run the diagnostics provided with that device.
- The missing device is defective or it requires an additional diskette or service manual.
- An unrecognizable device is installed.

- A defective device is causing another device not to be recognized.
- The SCSI controller failed (on the system board or SCSI adapter).
- Use the procedure in “Undetermined problems” on page 75 to find the problem.

If a device is missing from the list, replace it. If this does not correct the problem, use the procedure in “Undetermined problems” on page 75.

## Memory Diagnostic tests

The Memory Diagnostics provide the capability to identify a particular memory module (SIMM or DIMM) which fails during testing. Use the System Board Layout section to reference the memory sockets, or select **F1** *twice* to load the Diagnostics online manual and select “SIMM/DIMM/RIMM Locator”.

Follow the steps below to locate the Memory Diagnostic tests options.

1. Select the **DIAGNOSTICS** option on the toolbar and press **Enter**.
2. Highlight either the *Memory Test-Full* or *Memory Test-Quick* option and press **Enter**.
- 3.

- **Memory Test-Full**

The full memory test will take about 80 seconds per MB of memory and will detect marginal, intermittent, and solid (stuck) memory failures.

- **Memory Test-Quick**

The quick memory test will take about 20 seconds per MB of memory and will detect solid (stuck) memory failures only.

**Notes:**

- Either level of memory testing can be performed on all memory or a single SIMM or DIMM socket.
- Only sockets containing a SIMM or DIMM can be selected for testing. Unpopulated sockets are noted by ..... beside the test description.

## Alert-On LAN™ test

The Alert On LAN test does the following:

- Determines if Alert On LAN is supported on the system.
- Checks the revision ID register.
- Verifies the EEPROM checksum.
- Validates that a software alert can be sent.

## Asset ID™ test

The Asset ID test does the following:

- Determines if Asset ID is supported on the system.
- Verifies the EEPROM areas.
- Performs an antenna detection test.

## Test results

Diagnostic test results will produce the following error code format:

Function Code	Failure Type	DeviceID	Date	ChkDigits	Text
---------------	--------------	----------	------	-----------	------



- **Function Code:**  
Represents the feature or function within the PC.
- **Failure Type:**  
Represents the type of error encountered.
- **DeviceID:**  
Contains the component's unit-ID which corresponds to either a fixed disk drive, removable media drive, serial or parallel port, processor, specific SIMM or DIMM, or a device on the PCI bus.
- **Date:**  
Contains the date on which the diagnostic test was run. The date is retrieved from CMOS and displayed using the YYYYMMDD format.
- **ChkDigits:**  
Contains a 2-digit check-digit value to ensure the following:
  - Diagnostics were run on the specified date.
  - Diagnostics were run on the specified IBM computer.
  - The diagnostic error code is recorded correctly.
- **Text:**  
Description of the error.

**Note:** See "Diagnostic error codes" on page 39 for error code listings.

## Hard file Smart test

Use the Hard File Smart Test when the system management tool has detected a hard file SMART alert.

The Smart test does the following:

- Interrogates IDE devices for support of the SMART instruction set.
- Issues a ENABLE SMART command to make sure SMART functionality is active.
- Checks the SMART RETURN STATUS command to determine if any thresholds have been exceeded.

If thresholds have been exceeded, an error message is shown, and the test fails. If no SMART is supported by the drive, the test returns with "N/A".

## Fixed Disk Optimized Test

You can use the Fixed Disk Optimized Test to identify a particular area of a hard disk that fails during testing. You can also use this test to correct types of errors.

To run the Fixed Disk Optimized Test, do the following:

1. From the toolbar, select **Diagnostics**.
2. Select **Fixed Disk Optimized Test**.
3. Select one of the tests:
  - **Hard Disk Test - Full** performs a complete test of the hard disk drive.
  - **Hard Disk Test - Quick** performs a subset of the full hard disk tests.
  - **Start SMART Hard Disk Test** initiates an IDE extended offline self-test.
  - **SMART Hard Disk Test Results** runs the IDE extended offline self-test and displays the results.

You can run the Start SMART Hard Disk Test and then continue with other diagnostic tests before running the Hard Drive Self-Test Results.

## Quick and Full erase - hard drive

Diagnostics offer two hard drive format utilities:

- Quick Erase Hard Drive
- Full Erase Hard Drive

The Quick Erase Hard Drive provides a DOS utility that performs the following steps.

- Destroys the Master Boot Record (MBR) on the hard drive.
- Destroys all copies of the FAT Table on all partitions (both the master and backup).
- Destroys the partition table.
- Provides messages that warn the user that this is a non-recoverable process.

The Full Erase Hard Drive provides a DOS utility that performs the following steps.

- Performs all the steps in Quick Erase.
- Provides a DOS utility that writes random data to all sectors of the hard drive.
- Provide an estimate of time to completion along with a visual representation of completion status.
- Provides messages that warn the user about non-recoverable process.

<b>Important:</b> Make sure that all data is backed up before using the Quick or Full Erase functions.
--

To select the Quick Erase or Full Erase Hard Drive utility, use the following procedure.

1. Select the UTILITY option on the toolbar and press **Enter**.
2. Select either the QUICK ERASE or FULL ERASE HARD DISK option and follow the instructions.

## Iomega Zip drive test

Use the Iomega Zip Drive Test to test the Zip drive and the drive interface. The test takes about 20 seconds to run.

The default tests the following:

- Controller
- Max Seek (50 times)
- Random Seek (300 sectors)

## Asset EEPROM backup

When replacing a system board, this utility allows the backup of all Asset information from the EEPROM to diskette. This utility also restores data to the EEPROM from diskette after replacement of the system board.

To run this utility, use the following procedure.

- Select **Utility**
- Select **Asset EEPROM Backup**

- Follow instructions on screen.

## Viewing the test log

Errors reported by the diagnostic test will be displayed by the program as a failed test.

To view details of a failure or to view a list of test results, use the following procedure from any test category screen.

- Press **F3** to activate the log file.
- Press **F3** again to save the file to diskette or **F2** to print the file.

---

## When to use the Low-Level Format program

**Notes:**

1. The low-level format is not available on all diagnostic diskettes.
2. Before formatting the hard disk drive, make a backup copy of the files on the drive to be formatted.

Use the Low-Level Format program in the following situations:

- When you are installing software that requires a low-level format.
- When you get recurring messages from the test programs directing you to run the Low-Level Format program on the hard disk.
- As a last resort before replacing a hard disk drive.

---

## Preparing the hard disk drive for use

When the Low-Level Format program is finished, restore to the hard disk all the files that you previously backed up.

1. Partition the remainder of the hard disk for the operating system. (The commands vary with the operating system. Refer to the operating system manual for instructions.)
2. Format the hard disk using the operating system. (The commands vary with the operating system. Refer to the operating system manual for instructions.)
3. Install the operating system.

You are now ready to restore the files.



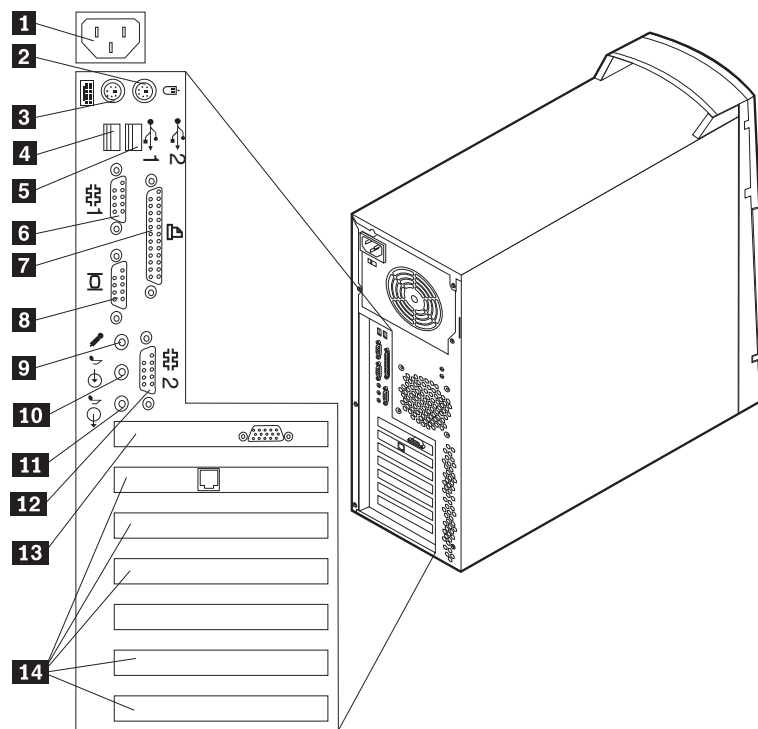
---

## Chapter 4. Installing Options

Input/Output connectors . . . . .	15	Installing adapters . . . . .	22
Removing the cover . . . . .	15	Adapter slots . . . . .	22
Internal drive removal and replacement . . . . .	16	AGP adapter . . . . .	24
Installing internal drives in bays 1, 2, 3 and 4 . . . . .	17	Audio adapter . . . . .	25
CD-ROM drive jumper settings. . . . .	18	ADSL modem . . . . .	25
Installing internal drives in bays 5, 6 and 7. . . . .	18	Home PNA network adapter . . . . .	25
Hard disk drive jumper settings . . . . .	21	Replacing the cover. . . . .	26
Installing a security U-bolt . . . . .	21		

---

### Input/Output connectors



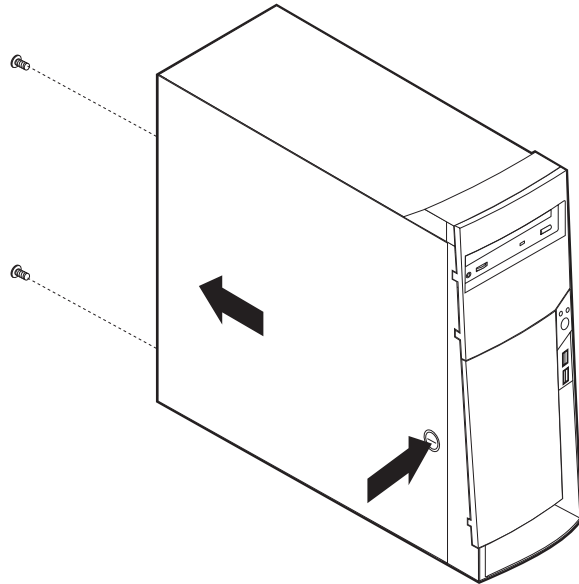
- |                               |                               |
|-------------------------------|-------------------------------|
| <b>1</b> Power connector      | <b>10</b> Audio in connector  |
| <b>2</b> Mouse connector      | <b>11</b> Audio out connector |
| <b>3</b> Keyboard connector   | <b>12</b> Serial connector 2  |
| <b>4</b> USB connector 1      | <b>13</b> AGP slot            |
| <b>5</b> USB connector 2      | <b>14</b> PCI slot 1          |
| <b>6</b> Serial connector 1   | <b>14</b> PCI slot 2          |
| <b>7</b> Parallel connector   | <b>14</b> PCI slot 3          |
| <b>8</b> Monitor connector    | <b>14</b> PCI slot 4          |
| <b>9</b> Microphone connector | <b>14</b> PCI slot 5          |

---

### Removing the cover

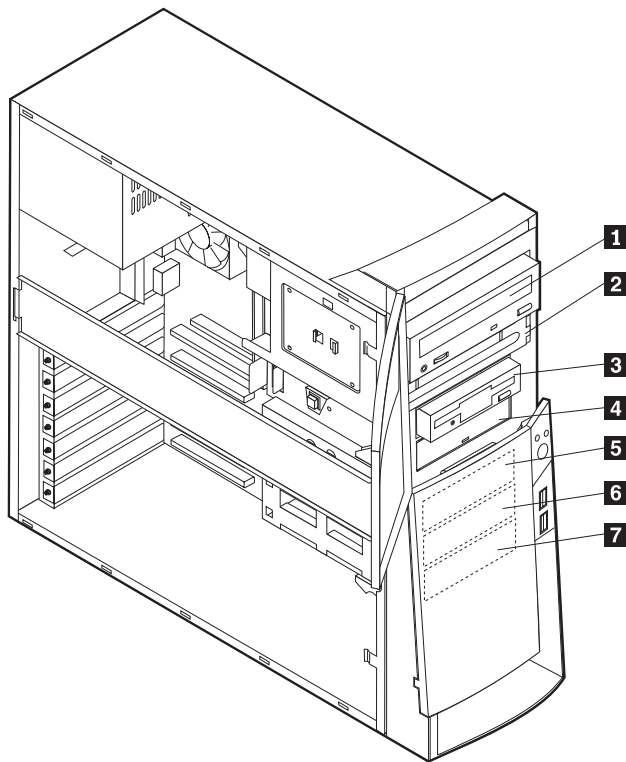
1. Remove the two back thumb screws.
2. Disengage the keylock (if any) on the side of the computer.

3. Push the side cover toward the rear, using the two embosses at the back of the cover.
4. Remove the cover.



---

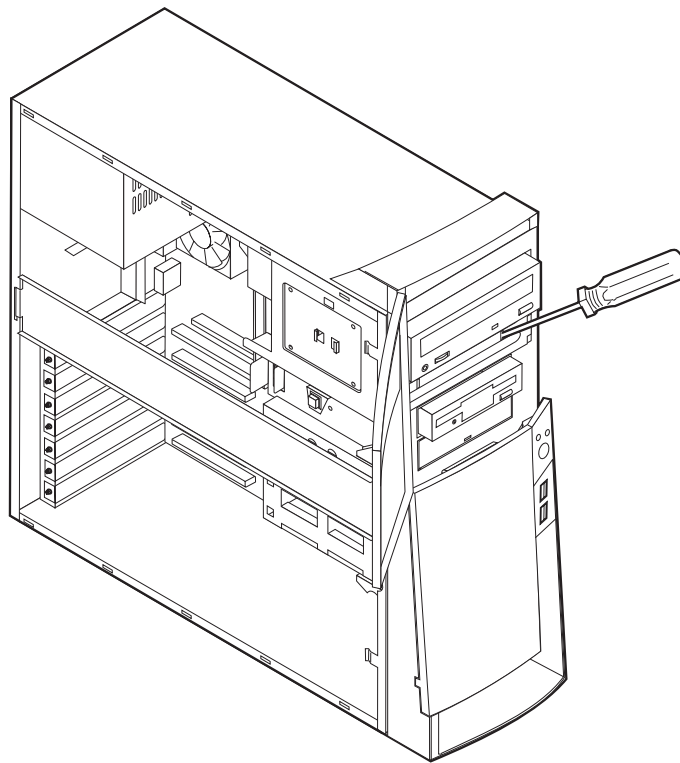
## Internal drive removal and replacement



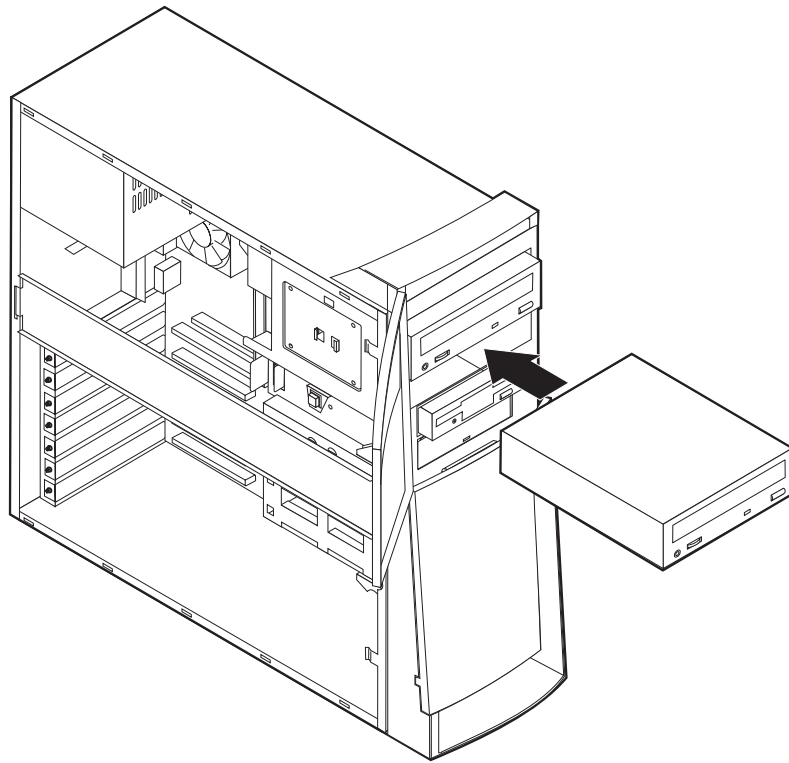
- |          |                            |  |
|----------|----------------------------|--|
| <b>1</b> | <b>Bay 1 - Max Height:</b> | <b>41.3 mm (1.6 in.)</b><br>CD-ROM drive (standard in some models)<br>5.25-inch hard disk drive  |
| <b>2</b> | <b>Bay 2 - Max Height:</b> | <b>41.3 mm (1.6 in.)</b><br>5.25-inch hard disk drive<br>3.5-inch hard disk drive (requires a mounting bracket)<br>CD-ROM drive<br>DVD-ROM drive |
| <b>3</b> | <b>Bay 3 - Max Height:</b> | <b>25.4 mm (1.0 in.)</b><br>3.5-inch diskette drive  |
| <b>4</b> | <b>Bay 4 - Max Height:</b> | <b>25.4 mm (1.0 in.)</b><br>Hard disk drive<br>3.5-inch removable drive  |
| <b>5</b> | <b>Bay 5 - Max Height:</b> | <b>25.4 mm (1.0 in.)</b><br>Hard disk drive  |
| <b>6</b> | <b>Bay 6 - Max Height:</b> | <b>25.4 mm (1.0 in.)</b><br>Hard disk drive  |
| <b>7</b> | <b>Bay 7 - Max Height:</b> | <b>25.4 mm (1.0 in.)</b><br>Hard disk drive  |

## Installing internal drives in bays 1, 2, 3 and 4

1. Remove the cover (see “Removing the cover” on page 15).
2. If the drive you are installing is a removable-media drive, remove the bay panel from the front bezel.
3. Insert a flat-bladed screwdriver into one of the slots on the static shield in the drive bay into which you are installing the drive and gently pry the static shield loose from the drive bay.



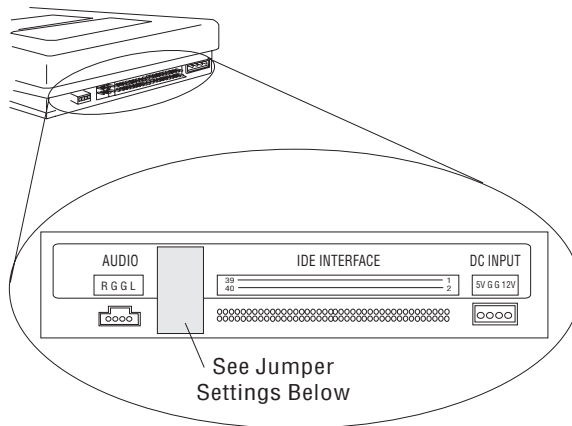
4. Install the drive into the bay. Align the screw holes and insert the two screws.



5. Connect the power and signal cables to the drive.

### CD-ROM drive jumper settings

CD-ROM and PC/CD-ROM drives use jumpers or tabs to set the drives as primary (master) or secondary (slave). Refer to the drive connector labels or the figures below for the drive settings.



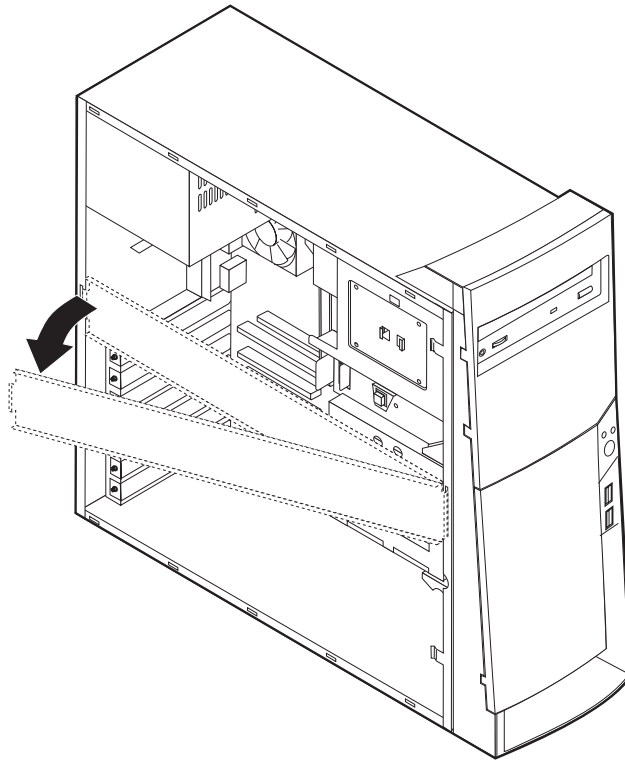
CD-ROM	Primary (Master)	Secondary (Slave)
40X	::	:
48X	::	:

## Installing internal drives in bays 5, 6 and 7

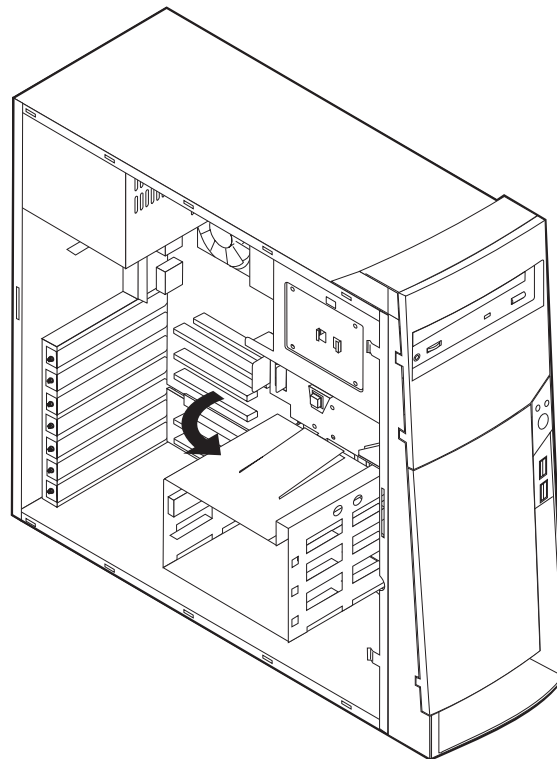
1. Remove the cover (see "Removing the cover" on page 15).



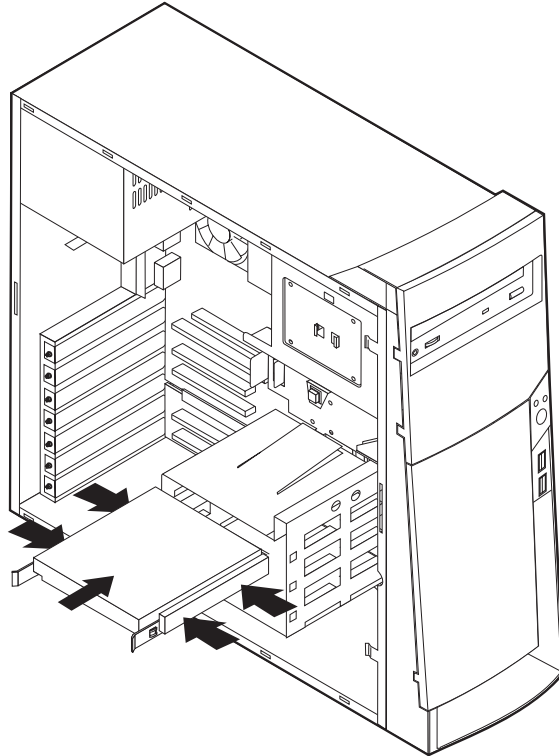
2. Remove the side support bar.



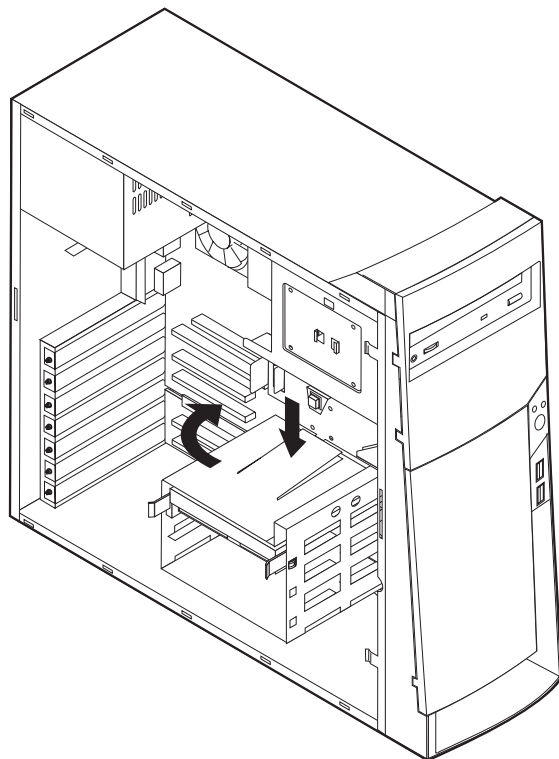
3. Remove the front EMC shield for the specific drive bay.
4. Pivot the lower drive bay cage outward from the computer, into the locked position.



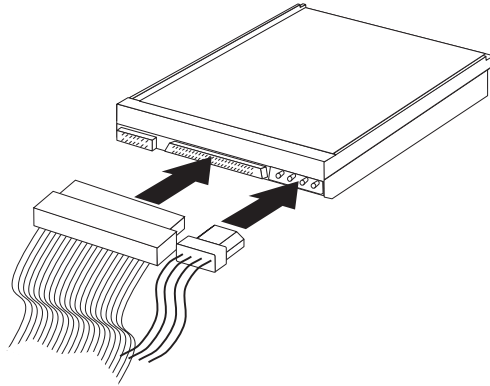
5. Mount DASD rails on the drive you wish to install and slide the drive along the rail guides into the unoccupied drive bay.



6. Press the tab that holds the cage in the open position and swing the cage back into operating position.



7. Connect the cables to the drive.
8. Connect the power and signal cables to the drive.



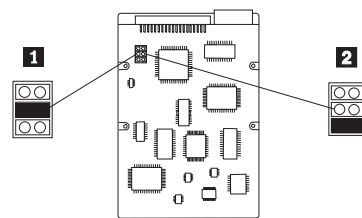
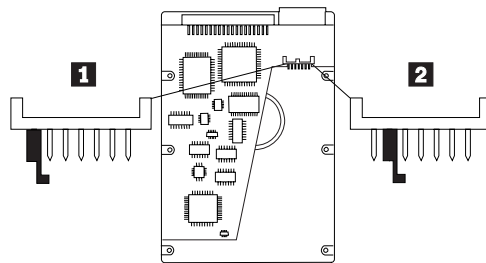
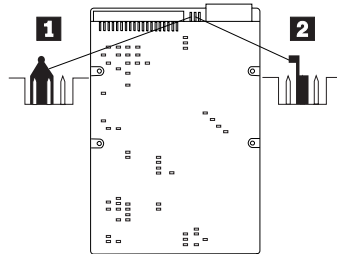
### Hard disk drive jumper settings

IDE hard disk drives for the NetVista series computers use jumpers to set the drives as primary (master) or secondary (slave).

**Note:** For drives not shown below, refer to the label on the hard disk drive for the hard disk drive settings.

#### 1 Primary (Master) Hard Disk Drive

#### 2 Secondary (Slave) Hard Disk Drive

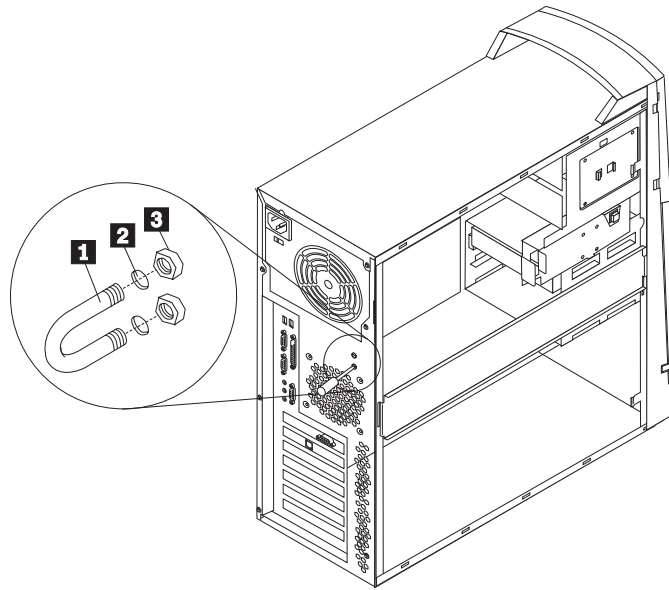


## Installing a security U-bolt

To install a U-bolt, do the following:

1. Remove the cover.

2. Remove the two metal knockouts.



- |          |            |
|----------|------------|
| <b>1</b> | U-bolt     |
| <b>2</b> | Bolt holes |
| <b>3</b> | Nuts       |

3. Insert the U-bolt through the rear panel. Attach and tighten the nuts with an appropriately sized or adjustable wrench.
4. Replace the computer cover. See “Replacing the cover” on page 26.
5. Thread the cable through the U-bolt and around an object that is not a part of or permanently secured to the building structure or foundation, and from which it cannot be removed; then fasten the cable ends together with a lock.

---

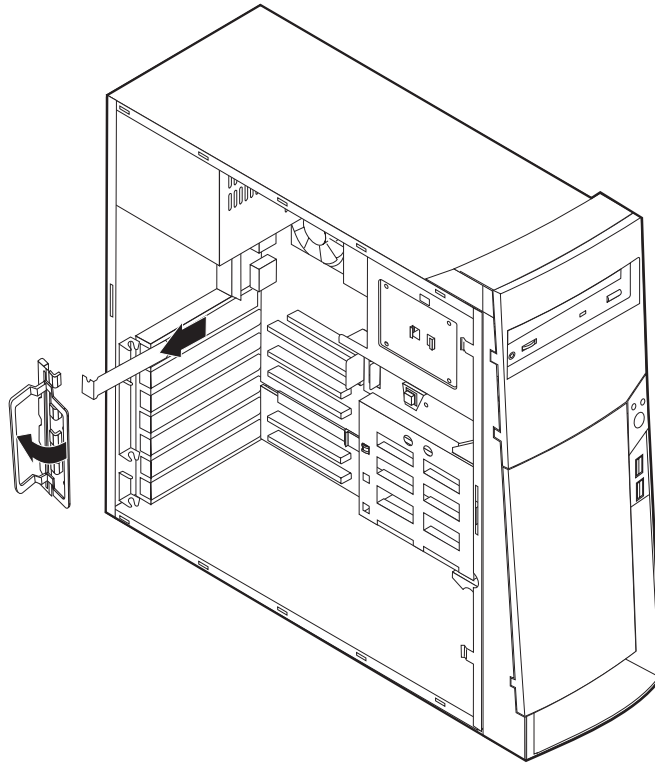
## Installing adapters

### Adapter slots

To install an adapter in a PCI or AGP expansion slot, do the following:

1. Remove the cover (see “Removing the cover” on page 15).

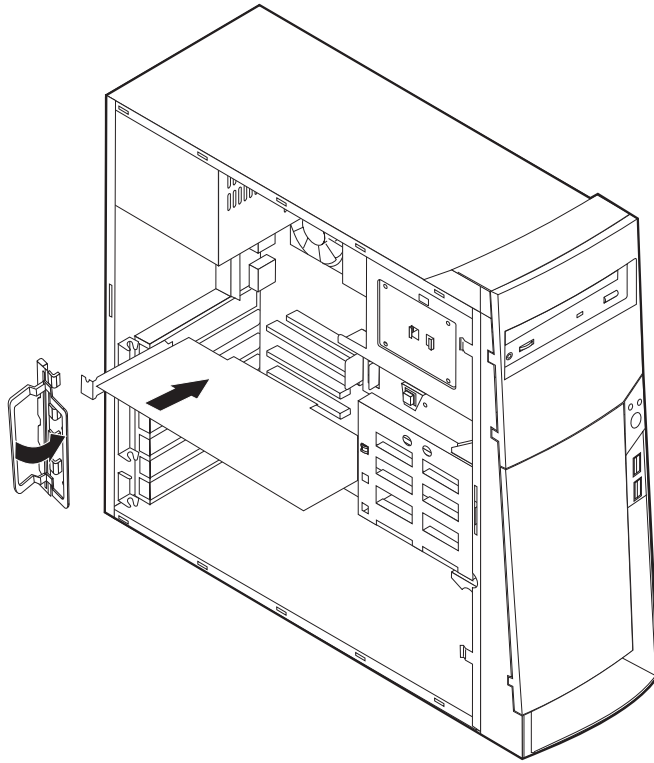
2. Remove the blue adapter card retainer and slot cover for the appropriate expansion slot.



3. Remove the adapter from its static-protective package.
4. Install the adapter into the appropriate slot on the system board.

**Note:** If you are installing a Wake on LAN™ supported network adapter, attach the Wake on LAN cable that came with the adapter to the Wake on LAN connector on the system board. If you also want to take advantage of the Alert on LAN feature of the computer, you must install the network adapter in PCI slot 1. For the location of PCI slot 1 and the Wake on LAN connector, see the diagram of the system board on the inside of the computer.

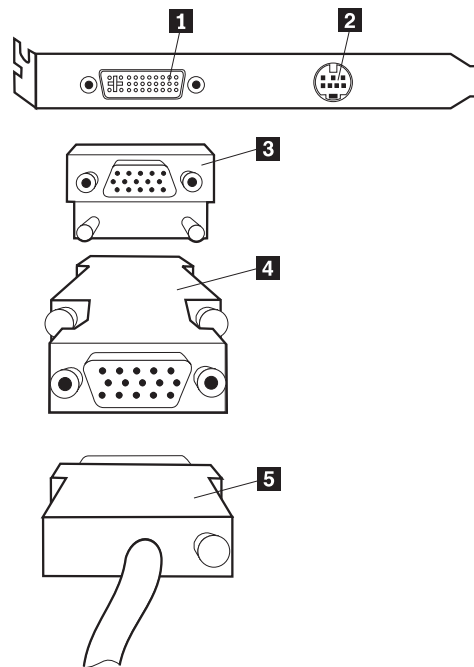
5. Install the adapter card retainer.



6. Replace the cover and connect the cables.

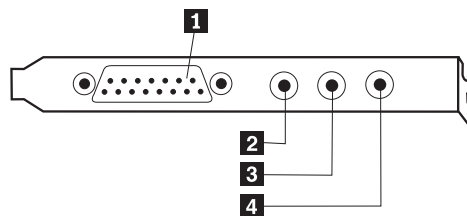
## AGP adapter

Some models come with a high-performance AGP video adapter. In some AGP adapters, the DVI connector is replaced by a regular VGA connector.



Connector	Description
<b>1</b> Digital video interface (DVI) connector	Used to attach a digital monitor. This connector provides the signals necessary to support the Display Power Management Signaling (DPMS) standard.
<b>2</b> S-Video connector	Used to attach a television set that has a S-Video connector. The S-Video cable (required to connect the television set to the adapter) is a separately purchased item.
<b>3</b> SVGA monitor converter	Used to attach an analog SVGA monitor to the AGP DVI connector. This SVGA converter is not used in this machine type.
<b>4</b> SVGA monitor converter	Used to attach an analog SVGA monitor to the AGP DVI connector.

## Audio adapter



Connector	Description
<b>1</b> MIDI/joystick connector	
<b>2</b> Audio line-out connector	
<b>3</b> Microphone connector	
<b>4</b> Audio line-in connector	

## ADSL modem

Depending on how the user's home or office is wired, the ADSL modem uses either wires 2 and 5 or wires 3 and 4 of the telephone-line wall connector. Refer to the label on the back of the ADSL modem and set the switch on the back of the ADSL modem to match the wiring scheme. If you do not know which wiring scheme to use, contact the user's ADSL service provider.

## Home PNA network adapter

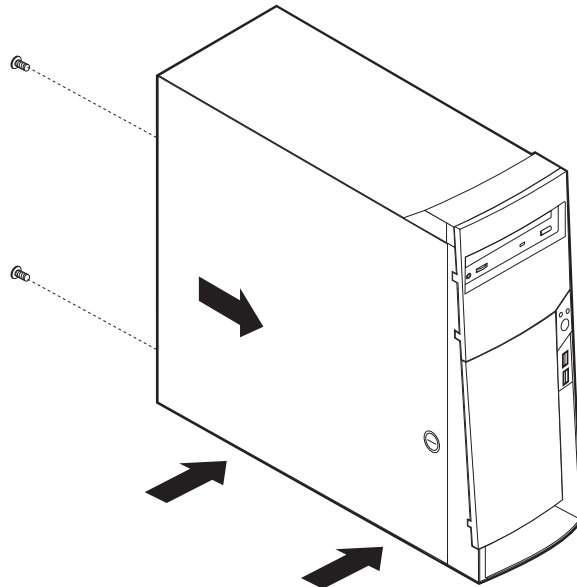
Some models have a Home Phoneline Network Alliance network adapter with an integrated V.90 modem. In addition to its modem function, this adapter enables the user to use the telephone wiring in the user's home for peer-to-peer networking. To use the Home PNA Network adapter, the Intel AnyPoint software must be installed from the *Software Selections CD*. Each computer on the home PNA network must have a PNA network adapter and the associated software installed. For information about using the PNA network adapter or the AnyPoint software, refer to the AnyPoint documentation (provided with models that come with PNA network adapters only).

Each computer on a home PNA network must be connected directly to a telephone-line wall connector. If the user has more computers than telephone-line wall connectors in a room, he/she must use a telephone splitter at the wall connector.

---

## Replacing the cover

1. Position the cover on the chassis, aligning the tabs on the cover with the slots on the chassis.
2. Slide the cover toward the front bezel of the computer until the cover is fully closed.
3. Replace the two thumb screws and engage the keylock (if any).



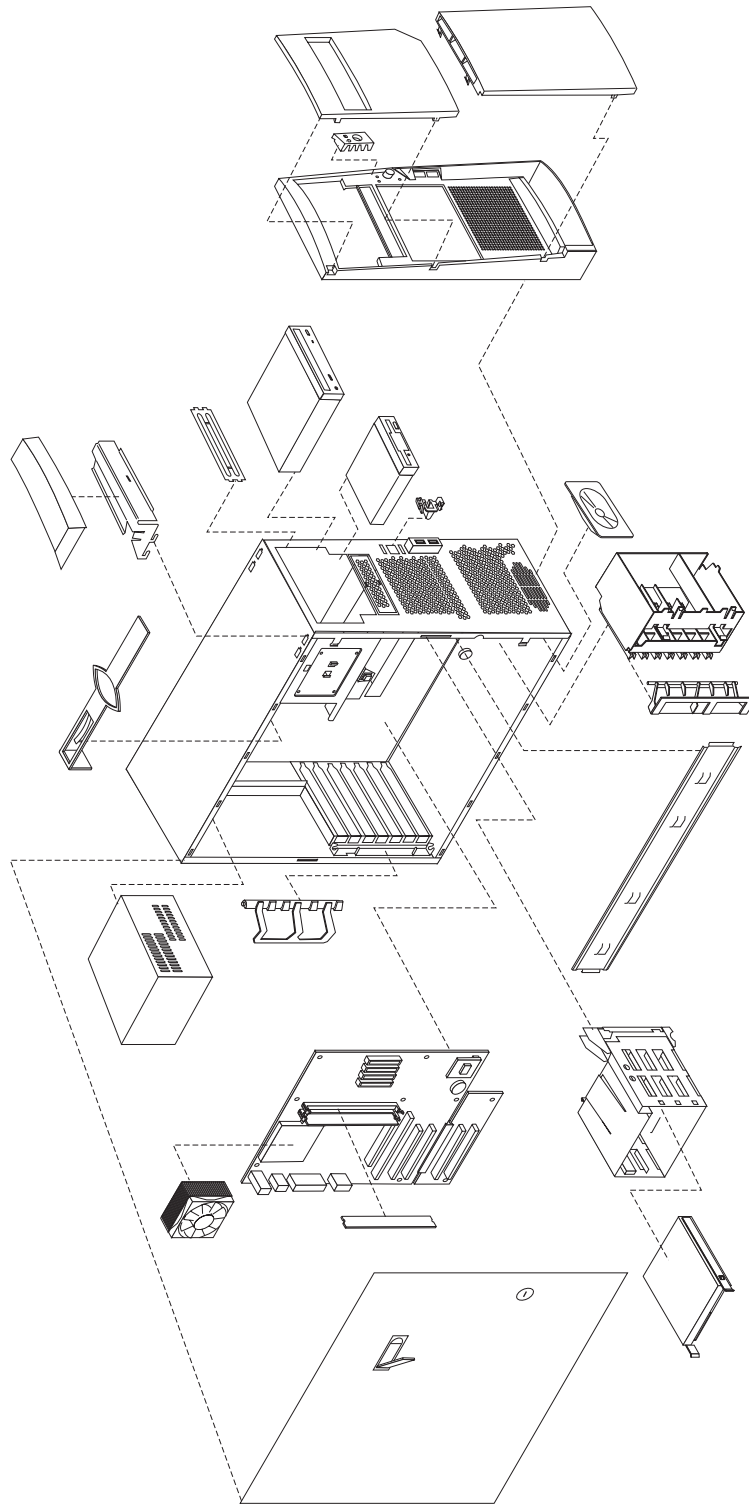


---

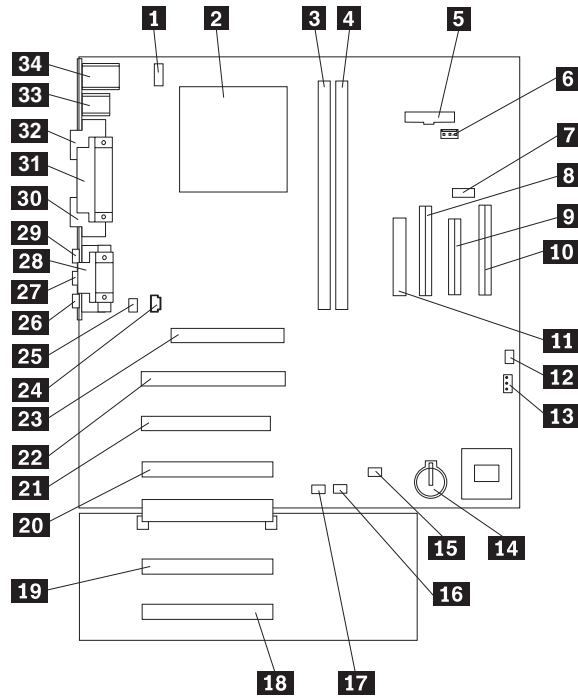
## Chapter 5. FRU Replacements

Computer exploded view . . . . .	28	PCI extender card removal . . . . .	31
A40/A40P/A40i system board layout . . . . .	29	Replacing a system board . . . . .	31
System board locations . . . . .	29	Replacing a processor . . . . .	32
System board jumper settings . . . . .	29	Replacing the speaker . . . . .	32
Clear CMOS/Flash Boot Block Recovery. . . . .	30	Power supply . . . . .	33
Processor Speed Settings . . . . .	30	20-pin main power supply connection . . . . .	33
System board memory. . . . .	30	Power supply removal. . . . .	34
Installing memory . . . . .	30		

# Computer exploded view



## A40/A40P/A40i system board layout



### System board locations

<b>1</b> CPU fan connector	<b>18</b> PCI slot 5
<b>2</b> Microprocessor	<b>19</b> PCI slot 4
<b>3</b> DIMM 0	<b>20</b> PCI slot 3
<b>4</b> DIMM 1	<b>21</b> PCI slot 2
<b>5</b> Power LED connector	<b>22</b> PCI slot 1
<b>6</b> RFID connector	<b>23</b> AGP slot
<b>7</b> Front USB connector	<b>24</b> CD-ROM audio
<b>8</b> Secondary IDE connector	<b>25</b> Speaker connector
<b>9</b> Diskette connector	<b>26</b> Audio output
<b>10</b> Primary IDE connector	<b>27</b> Audio input
<b>11</b> Power connector	<b>28</b> Serial port 2
<b>12</b> CMOS clear/recovery jumper	<b>29</b> Microphone input
<b>13</b> Fan connector	<b>30</b> Monitor port
<b>14</b> Battery	<b>31</b> Parallel port
<b>15</b> SCSI adapter LED connector	<b>32</b> Serial port 1
<b>16</b> Alert on LAN	<b>33</b> USB connectors
<b>17</b> Wake on LAN	<b>34</b> Mouse and keyboard connectors

### System board jumper settings

The following table contains the jumper setting information. (D) indicates the default setting.

## Clear CMOS/Flash Boot Block Recovery

Use the recovery jumper setting to Clear CMOS or to Flash Boot Block Recover.

Jumper	Setting	Description
CMOS Reset	2-3	CMOS Reset/Flash Recovery Mode
	1-2 (D)	Normal Mode

**Note:** The A40/A40P/A40i CMOS clear/recovery jumper pins are numbered as follows:

- Pin 1 is the farthest from the battery.
- Pins 2 and 3 are below pin 1, as seen in the System Board layout.

## Processor Speed Settings

Processor speed for type 2271/6840/6841 computers are fixed and are determined by the processor. There are no settings required.

## System board memory

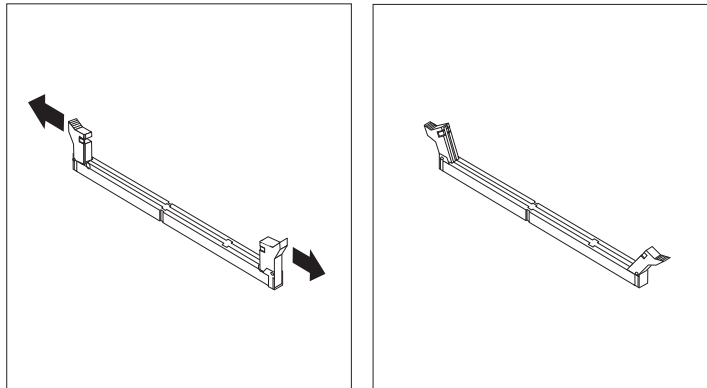
### Installing memory

When installing DIMMs, the following rules apply:

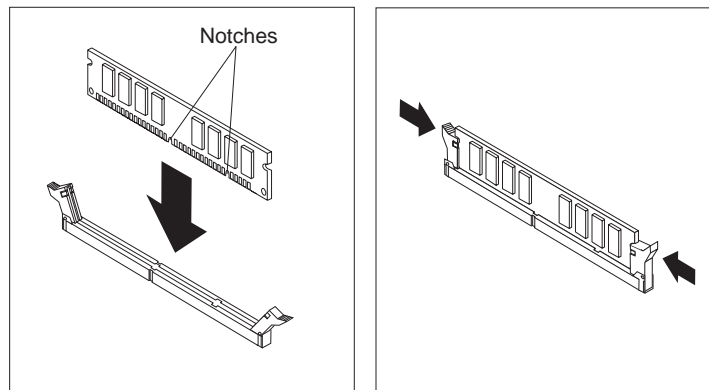
- Fill each system memory connector sequentially, starting at DIMM 0.
- Use 3.3 V, 133 MHz, unbuffered, SDRAM non-parity DIMMs.
- Use only 64, 128, or 256 MB DIMMs in any combination.

To install a memory module, do the following:

1. Remove the AGP adapter.
2. Locate the DIMM connectors.
3. If the retaining clips are not already open, open them.



4. Install the DIMM straight down into the connector until the retaining clips close. Make sure the notches in the DIMM align with the tabs on the connector.



---

## PCI extender card removal

1. Remove the cover (see “Removing the cover” on page 15).
2. Remove the machine chassis foot that is in front of the extender card.
3. Remove the 2 screws that hold the PCI extender card in place.
4. Pull the card down (not out) firmly on both sides until it detaches from the system board.

---

## Replacing a system board

### Important:

Before replacing a system board, back up Asset information by using the “Asset EEPROM backup” on page 12.

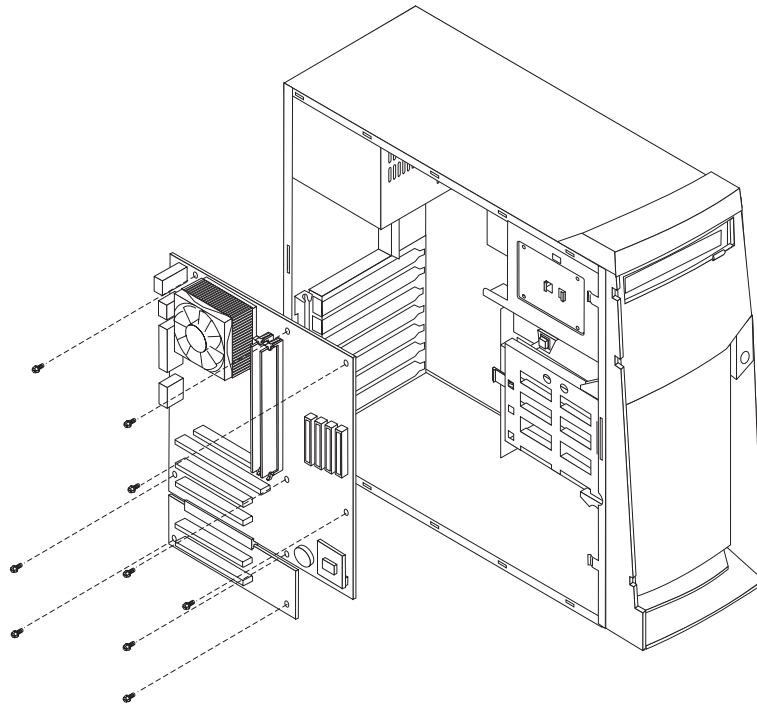
### Notes:

1. The BIOS and Vital Product Data (VPD) for the computer you are servicing must be installed on the new system board (FRU) after it is installed in the computer. To do this, **you must run the Flash Update program using the Flash Update diskette.** See “BIOS levels” on page 87, “Vital product data” on page 86, and “Flash (BIOS/VPD) update procedure” on page 88.
2. Always ensure the latest level of BIOS is installed on the computer. A down level BIOS may cause false errors and unnecessary replacement of the system board.
3. The processor is a separate FRU from the system board and is not included with the system board FRU.
4. If the new system board does not correct the problem, reinstall the options on the old system board, reinstall the old system board, then replace the processor.

To replace the system board, do the following:

1. Remove the cover (see “Removing the cover” on page 15).
2. Remove the video card.
3. Remove the machine chassis foot that is in front of the PCI extender card.
4. Remove the extender card (see “PCI extender card removal” on page 31).
5. Remove the 7 screws that attach the system board to the chassis.

6. Remove the board from the chassis.



7. Remove the processor from the old system board and install it on the new system board.
8. Remove any of the following installed options on the old system board, and install them on the new system board.
  - Memory modules
9. Ensure that the new system board jumper settings match the old system board jumper settings.

---

## Replacing a processor

Make sure the processor is fully seated in its socket and that the goal post latches are engaged.

**Important:**

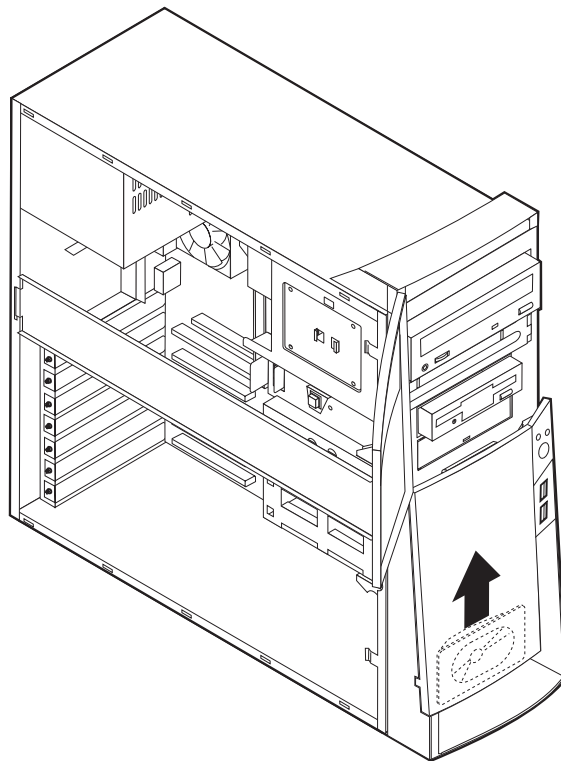
1. Make sure the fansink and air baffle (if any) are installed to prevent processor overheating.
2. If the processor is not installed correctly, the system board and the processor can be damaged.

---

## Replacing the speaker

1. Remove the cover (see “Removing the cover” on page 15).

2. The speaker is secured by one tab on either side and two at the bottom. Firmly push the speaker up from the bottom until it comes out from the tabs.



## Power supply

If the power-on indicator is not on, the power supply fan is not running, or the computer will not power-off, use the following procedures.

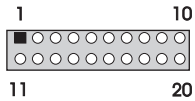
Check/Verify	FRU/Action
Check the following for proper installation. <ul style="list-style-type: none"> <li>• Power Cord</li> <li>• On/Off Switch connector</li> <li>• On/Off Switch Power Supply connector</li> <li>• System Board Power Supply connectors</li> <li>• Microprocessor(s) connection</li> </ul>	Reseat
Check the power-on switch for continuity.	Power Cord
Check the power-on switch for continuity.	Power-on Switch

## 20-pin main power supply connection

See "A40/A40P/A40i system board layout" on page 29 for connector locations.

**Attention:**

These voltages must be checked with the power supply cables connected to the system board



Pin	Signal	Function
1	3.3 V	+3.3 V dc
2	3.3 V	+3.3 V dc
3	COM	Ground
4	5 V	+5 V dc
5	COM	Ground
6	5 V	+5 V dc
7	COM	Ground
8	POK	Power Good
9	5VSB	Standby Voltage
10	12 V	+12 V dc
11	3.3 V	+3.3 V dc
12	-12 V	-12 V dc
13	COM	Ground
14	PS-ON	DC Remote Enable
15	COM	Ground
16	COM	Ground
17	COM	Ground
18	No voltage	Not used
19	5 V	+5 V dc
20	5 V	+5 V dc

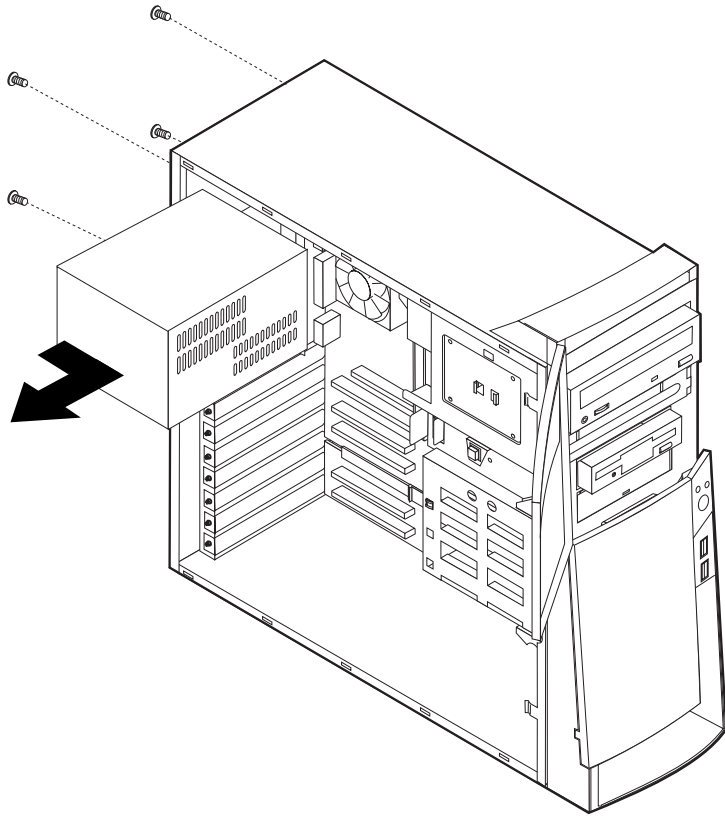
If the voltages are not correct, and the power cord is good, replace the power supply.

## Power supply removal

1. Remove the power cable.
2. Remove the cover (see “Removing the cover” on page 15).
3. Remove the four screws that secure the power supply to the back of the chassis.



4. Remove the power supply.





## Chapter 6. Symptom-to-FRU Index

SIMM/DIMM/RIMM memory errors. . . . .	37	No-beep symptoms. . . . .	58
Hard disk drive boot error . . . . .	38	POST error codes . . . . .	59
Diagnostic error codes. . . . .	39	Miscellaneous error messages . . . . .	73
Beep symptoms . . . . .	57	Undetermined problems . . . . .	75

The Symptom-to-FRU index lists error symptoms and possible causes. The most likely cause is listed first. Always begin with Chapter 1, “General Checkout,” on page 1. This index can also be used to help you decide which FRUs to have available when servicing a computer. If you are unable to correct the problem using this index, go to “Undetermined problems” on page 75.

### Notes:

- If you have both an error message and an incorrect audio response, diagnose the error message first.
- If you cannot run the diagnostic tests or you get a diagnostic error code when running a test, but did receive a POST error message, diagnose the POST error message first.
- If you did not receive any error message, look for a description of your error symptoms in the first part of this index.
- Check all power supply voltages before you replace the system board (see “Power supply” on page 33).
- Check the hard disk drive jumper settings before you replace a hard disk drive (see “Hard disk drive jumper settings” on page 21).

### Important:

Some errors are indicated with a series of beep codes (see “Beep symptoms” on page 57).

Type 2271/6840/6841 computers default to come up quiet (no beep and no memory count and checkpoint code display) when no errors are detected by POST. To enable beep and memory count and checkpoint code display when a successful POST occurs, do the following:

1. Select **Start Options** in the Configuration/Setup Utility program (see “Setup Utility program” on page 7).
2. Set **Power-On Self-Test** to **Enhanced**.

The processor is a separate FRU from the system board; the processor is not included with the system board FRU.

## SIMM/DIMM/RIMM memory errors

The following SIMM/DIMM/RIMM error messages are issued by the diagnostic programs.

Error	FRU/Action
<b>2xx-1y</b> A memory error was detected in SIMM socket Y.	Replace the SIMM in the socket identified by the last digit of the error code.  Re-run the test.  If the same error code occurs again, replace the system board.

Error	FRU/Action
<b>2xx-2y</b> A memory error was detected in DIMM/RIMM socket Y	Replace the DIMM/RIMM in the socket identified by the last digit of the error code.  Re-run the test.  If the same error code occurs again, replace the system board or where memory is on the processor card, replace the processor card.
<b>Corrupt BIOS</b> Information in BIOS is not as expected.  Not able to find expected DMI information from BIOS.  Memory controller chipset vendor ID does not match expected value.	Reflash the BIOS.  Perform boot block recovery.  Replace the system board.
<b>Test aborted by user</b>	Restart test.

**Note:** Y is the SIMM/DIMM/RIMM socket number. Use the System Board Layout section in the latest Hardware Maintenance Manual (HMM) to reference the memory sockets.

---

## Hard disk drive boot error

A hard disk drive boot error (error codes 1962 and I999030X) can have the following causes.

Error	FRU/Action
The start-up drive is not in the boot sequence in configuration.	Check the configuration and ensure the start-up drive is in the boot sequence.
No operating system installed on the boot drive.	Install an operating system on the boot drive.
The boot sector on the start-up drive is corrupted.	The drive must be formatted, do the following: <ol style="list-style-type: none"> <li>1. Attempt to access and recover (back-up) the failing hard disk drive.</li> <li>2. Using the operating systems programs, format the hard disk drive.</li> <li>3. Go to "Preparing the hard disk drive for use" on page 13.</li> </ol>
The drive is defective.	Replace the hard disk drive.

## Diagnostic error codes

Refer to the following diagnostic error codes when using the diagnostic tests. See "Diagnostics" on page 7 for the specific type for information about the diagnostic programs.

In the following index, X can represent any number.

Diagnostic Error Code	FRU/Action
<b>000-000-XXX</b> BIOS Test Passed	1. <b>No action</b>
<b>000-002-XXX</b> BIOS Timeout	1. <b>Flash the system</b> 2. System board
<b>000-024-XXX</b> BIOS Addressing test failure	1. <b>Flash the system</b> 2. System board
<b>000-025-XXX</b> BIOS Checksum Value error	1. <b>Flash the system</b> 2. Boot block 3. System board
<b>000-026-XXX</b> FLASH data error	1. <b>Flash the system</b> 2. Boot block 3. System board
<b>000-027-XXX</b> BIOS Configuration/Setup error	1. <b>Run Setup</b> 2. Flash the system 3. Boot block 4. System board
<b>000-034-XXX</b> BIOS Buffer Allocation failure	1. <b>Reboot the system</b> 2. Flash the system 3. Run memory test 4. System board
<b>000-035-XXX</b> BIOS Reset Condition detected	1. <b>Flash the system</b> 2. System board
<b>000-036-XXX</b> BIOS Register error	1. <b>Flash the system</b> 2. Boot block 3. System board
<b>000-038-XXX</b> BIOS Extension failure	1. <b>Flash the system</b> 2. Adapter card 3. System board
<b>000-039-XXX</b> BIOS DMI data error	1. <b>Flash the system</b> 2. System board
<b>000-195-XXX</b> BIOS Test aborted by user	1. <b>Information</b> 2. Re-start the test, if necessary
<b>000-196-XXX</b> BIOS test halt, error threshold exceeded	1. <b>Press F3 to review the log file</b> 2. Re-start the test to reset the log file

Diagnostic Error Code	FRU/Action
<b>000-197-XXX</b> BIOS test warning	<ol style="list-style-type: none"> <li>1. <b>Make sure the component that is called out is connected and/or enabled</b></li> <li>2. Re-run test</li> <li>3. Component that is called out in warning statement</li> <li>4. Component under test</li> </ol>
<b>000-198-XXX</b> BIOS test aborted	<ol style="list-style-type: none"> <li>1. <b>If a component is called out, make sure it is connected and/or enabled</b></li> <li>2. Flash the system and re-test</li> <li>3. Go to the "Undetermined problems" section</li> </ol>
<b>000-199-XXX</b> BIOS test failed, cause unknown	<ol style="list-style-type: none"> <li>1. <b>Go to the "Undetermined problems" section</b></li> <li>2. Flash the system and re-test</li> <li>3. Replace component under function test</li> </ol>
<b>000-250-XXX</b> BIOS APM failure	<ol style="list-style-type: none"> <li>1. <b>Flash the system</b></li> <li>2. System board</li> </ol>
<b>000-270-XXX</b> BIOS ACPI failure	<ol style="list-style-type: none"> <li>1. <b>Flash the system</b></li> <li>2. System board</li> </ol>
<b>001-000-XXX</b> System Test Passed	<ol style="list-style-type: none"> <li>1. <b>No action</b></li> </ol>
<b>001-00X-XXX</b> System Error	<ol style="list-style-type: none"> <li>1. <b>System board</b></li> </ol>
<b>001-01X-XXX</b> System Error	<ol style="list-style-type: none"> <li>1. <b>System board</b></li> </ol>
<b>001-024-XXX</b> System Addressing test failure	<ol style="list-style-type: none"> <li>1. <b>System board</b></li> </ol>
<b>001-025-XXX</b> System Checksum Value error	<ol style="list-style-type: none"> <li>1. <b>Flash the system</b></li> <li>2. System board</li> </ol>
<b>001-026-XXX</b> System FLASH data error	<ol style="list-style-type: none"> <li>1. <b>Flash the system</b></li> <li>2. System board</li> </ol>
<b>001-027-XXX</b> System Configuration/Setup error	<ol style="list-style-type: none"> <li>1. <b>Run Setup</b></li> <li>2. Flash the system</li> <li>3. System board</li> </ol>
<b>001-032-XXX</b> System Device Controller failure	<ol style="list-style-type: none"> <li>1. <b>System board</b></li> </ol>
<b>001-034-XXX</b> System Device Buffer Allocation failure	<ol style="list-style-type: none"> <li>1. <b>Reboot the system</b></li> <li>2. Flash the system</li> <li>3. Run memory test</li> <li>4. System board</li> </ol>
<b>001-035-XXX</b> System Device Reset condition detected	<ol style="list-style-type: none"> <li>1. <b>System board</b></li> </ol>
<b>001-036-XXX</b> System Register error	<ol style="list-style-type: none"> <li>1. <b>System board</b></li> </ol>

Diagnostic Error Code	FRU/Action
<b>001-038-XXX</b> System Extension failure	<ol style="list-style-type: none"> <li>1. <b>Adapter card</b></li> <li>2. System board</li> </ol>
<b>001-039-XXX</b> System DMI data structure error	<ol style="list-style-type: none"> <li>1. <b>Flash the system</b></li> <li>2. System board</li> </ol>
<b>001-040-XXX</b> System IRQ failure	<ol style="list-style-type: none"> <li>1. <b>Power-off/on system and re-test</b></li> <li>2. System board</li> </ol>
<b>001-041-XXX</b> System DMA failure	<ol style="list-style-type: none"> <li>1. <b>Power-off/on system and re-test</b></li> <li>2. System board</li> </ol>
<b>001-195-XXX</b> System Test aborted by user	<ol style="list-style-type: none"> <li>1. <b>Information</b></li> <li>2. Re-start the test, if necessary</li> </ol>
<b>001-196-XXX</b> System test halt, error threshold exceeded	<ol style="list-style-type: none"> <li>1. <b>Press F3 to review the log file</b></li> <li>2. Re-start the test to reset the log file</li> </ol>
<b>001-197-XXX</b> System test warning	<ol style="list-style-type: none"> <li>1. <b>Make sure the component that is called out is connected and/or enabled</b></li> <li>2. Re-run test</li> <li>3. Component that is called out in warning statement</li> <li>4. Component under test</li> </ol>
<b>001-198-XXX</b> System test aborted	<ol style="list-style-type: none"> <li>1. <b>If a component is called out, make sure it is connected and/or enabled</b></li> <li>2. Flash the system and re-test</li> <li>3. Go to the "Undetermined problems" section</li> </ol>
<b>001-199-XXX</b> System test failed, cause unknown	<ol style="list-style-type: none"> <li>1. <b>Go to the "Undetermined problems" section</b></li> <li>2. Flash the system and re-test</li> <li>3. Replace component under function test</li> </ol>
<b>001-250-XXX</b> System ECC error	<ol style="list-style-type: none"> <li>1. <b>System board</b></li> </ol>
<b>001-254-XXX</b> <b>001-255-XXX</b> <b>001-256-XXX</b> <b>001-257-XXX</b> System DMA error	<ol style="list-style-type: none"> <li>1. <b>System board</b></li> </ol>
<b>001-260-XXX</b> <b>001-264-XXX</b> System IRQ error	<ol style="list-style-type: none"> <li>1. <b>System board</b></li> </ol>
<b>001-268-XXX</b> System IRQ1 failure	<ol style="list-style-type: none"> <li>1. <b>Device on IRQ1</b></li> <li>2. System board</li> </ol>
<b>001-269-XXX</b> System IRQ2 failure	<ol style="list-style-type: none"> <li>1. <b>Device on IRQ2</b></li> <li>2. System board</li> </ol>
<b>001-270-XXX</b> System IRQ3 failure	<ol style="list-style-type: none"> <li>1. <b>Device on IRQ3</b></li> <li>2. System board</li> </ol>

<b>Diagnostic Error Code</b>	<b>FRU/Action</b>
<b>001-271-XXX</b> System IRQ4 failure	1. <b>Device on IRQ4</b> 2. System board
<b>001-272-XXX</b> System IRQ5 failure	1. <b>Device on IRQ5</b> 2. System board
<b>001-273-XXX</b> System IRQ6 (diskette drive) failure	1. <b>Diskette Cable</b> 2. Diskette drive 3. System board
<b>001-274-XXX</b> System IRQ7 failure	1. <b>Device on IRQ7</b> 2. System board
<b>001-275-XXX</b> System IRQ8 failure	1. <b>Device on IRQ8</b> 2. System board
<b>001-276-XXX</b> System IRQ9 failure	1. <b>Device on IRQ9</b> 2. System board
<b>001-277-XXX</b> System IRQ10 failure	1. <b>Device on IRQ10</b> 2. System board
<b>001-278-XXX</b> System IRQ11 failure	1. <b>Device on IRQ11</b> 2. System board
<b>001-279-XXX</b> System IRQ12 failure	1. <b>Device on IRQ12</b> 2. System board
<b>001-280-XXX</b> System IRQ13 failure	1. <b>Device on IRQ13</b> 2. System board
<b>001-281-XXX</b> System IRQ14 (hard disk drive) failure	1. <b>Hard disk drive cable</b> 2. Hard disk drive 3. System board
<b>001-282-XXX</b> System IRQ15 failure	1. <b>Device on IRQ15</b> 2. System board
<b>001-286-XXX</b> <b>001-287-XXX</b> <b>001-288-XXX</b> System Timer failure	1. <b>System board</b>
<b>001-292-XXX</b> System CMOS RAM error	1. <b>Run Setup and re-test</b> 2. System board
<b>001-293-XXX</b> System CMOS Battery	1. <b>Battery</b> 2. System board
<b>001-298-XXX</b> System RTC date/time update failure	1. <b>Flash the system</b> 2. System board
<b>001-299-XXX</b> System RTC periodic interrupt failure	1. <b>System board</b>
<b>001-300-XXX</b> System RTC Alarm failure	1. <b>System board</b>



<b>Diagnostic Error Code</b>	<b>FRU/Action</b>
<b>001-301-XXX</b> System RTC Century byte error	<ol style="list-style-type: none"> <li>1. <b>Flash the system</b></li> <li>2. System board</li> </ol>
<b>005-000-XXX</b> Video Test Passed	<ol style="list-style-type: none"> <li>1. <b>No action</b></li> </ol>
<b>005-00X-XXX</b> Video error	<ol style="list-style-type: none"> <li>1. <b>Video card, if installed</b></li> <li>2. System board</li> </ol>
<b>005-010-XXX</b> <b>005-011-XXX</b> <b>005-012-XXX</b> <b>005-013-XXX</b> Video Signal failure	<ol style="list-style-type: none"> <li>1. <b>Video card, if installed</b></li> <li>2. System board</li> </ol>
<b>005-016-XXX</b> Video Simple Pattern test failure	<ol style="list-style-type: none"> <li>1. <b>Video Ram</b></li> <li>2. Video card, if installed</li> <li>3. System board</li> </ol>
<b>005-024-XXX</b> Video Addressing test failure	<ol style="list-style-type: none"> <li>1. <b>Video card, if installed</b></li> <li>2. System board</li> </ol>
<b>005-025-XXX</b> Video Checksum Value error	<ol style="list-style-type: none"> <li>1. <b>Video card, if installed</b></li> <li>2. System board</li> </ol>
<b>005-027-XXX</b> Video Configuration/Setup error	<ol style="list-style-type: none"> <li>1. <b>Run Setup</b></li> <li>2. Video drivers update</li> <li>3. Video card, if installed</li> <li>4. System board</li> </ol>
<b>005-031-XXX</b> Video Device Cable failure	<ol style="list-style-type: none"> <li>1. <b>Video cable</b></li> <li>2. Monitor</li> <li>3. Video card, if installed</li> <li>4. System board</li> </ol>
<b>005-032-XXX</b> Video Device Controller failure	<ol style="list-style-type: none"> <li>1. <b>Video card, if installed</b></li> <li>2. System board</li> </ol>
<b>005-036-XXX</b> Video Register error	<ol style="list-style-type: none"> <li>1. <b>Video card, if installed</b></li> <li>2. System board</li> </ol>
<b>005-038-XXX</b> System BIOS extension failure	<ol style="list-style-type: none"> <li>1. <b>Video card, if installed</b></li> <li>2. System board</li> </ol>
<b>005-040-XXX</b> Video IRQ failure	<ol style="list-style-type: none"> <li>1. <b>Video card, if installed</b></li> <li>2. System board</li> </ol>
<b>005-195-XXX</b> Video Test aborted by user	<ol style="list-style-type: none"> <li>1. <b>Information</b></li> <li>2. Re-start the test, if necessary</li> </ol>
<b>005-196-XXX</b> Video test halt, error threshold exceeded	<ol style="list-style-type: none"> <li>1. <b>Press F3 to review the log file</b></li> <li>2. Re-start the test to reset the log file</li> </ol>

Diagnostic Error Code	FRU/Action
005-197-XXX Video test warning	<ol style="list-style-type: none"> <li>1. <b>Make sure the component that is called out is connected and/or enabled</b></li> <li>2. Re-run test</li> <li>3. Component that is called out in warning statement</li> <li>4. Component under test</li> </ol>
005-198-XXX Video test aborted	<ol style="list-style-type: none"> <li>1. <b>If a component is called out, make sure it is connected and/or enabled</b></li> <li>2. Flash the system and re-test</li> <li>3. Go to the "Undetermined problems" section</li> </ol>
005-199-XXX Video test failed, cause unknown	<ol style="list-style-type: none"> <li>1. <b>Go to the "Undetermined problems" section</b></li> <li>2. Flash the system and re-test</li> <li>3. Replace component under function test</li> </ol>
005-2XX-XXX 005-3XX-XXX Video subsystem error	<ol style="list-style-type: none"> <li>1. <b>Video card, if installed</b></li> <li>2. System board</li> </ol>
006-000-XXX Diskette interface Test Passed	<ol style="list-style-type: none"> <li>1. <b>No action</b></li> </ol>
006-0XX-XXX Diskette interface error	<ol style="list-style-type: none"> <li>1. <b>Diskette drive Cable</b></li> <li>2. Diskette drive</li> <li>3. System board</li> </ol>
006-195-XXX Diskette interface Test aborted by user	<ol style="list-style-type: none"> <li>1. <b>Information</b></li> <li>2. Re-start the test, if necessary</li> </ol>
006-196-XXX Diskette interface test halt, error threshold exceeded	<ol style="list-style-type: none"> <li>1. <b>Press F3 to review the log file</b></li> <li>2. Re-start the test to reset the log file</li> </ol>
006-197-XXX Diskette interface test warning	<ol style="list-style-type: none"> <li>1. <b>If a component is called out, make sure it is connected and/or enabled</b></li> <li>2. Re-run test</li> <li>3. Component that is called out in warning statement</li> <li>4. Component under test</li> </ol>
006-198-XXX Diskette interface test aborted	<ol style="list-style-type: none"> <li>1. <b>If a component is called out, make sure it is connected and/or enabled</b></li> <li>2. Flash the system and re-test</li> <li>3. Go to the "Undetermined problems" section</li> </ol>
006-199-XXX Diskette interface test failed, cause unknown	<ol style="list-style-type: none"> <li>1. <b>Go to the "Undetermined problems" section</b></li> <li>2. Flash the system and re-test</li> <li>3. Replace component under function test</li> </ol>
006-25X-XXX Diskette interface Error	<ol style="list-style-type: none"> <li>1. <b>Diskette drive cable</b></li> <li>2. Diskette drive</li> <li>3. System board</li> </ol>

Diagnostic Error Code	FRU/Action
<b>011-000-XXX</b> Serial port Interface Test Passed	1. <b>No action</b>
<b>011-001-XXX</b> Serial port Presence	1. <b>Remove external serial device, if present</b> 2. Run setup, enable port 3. System board
<b>011-002-XXX</b> <b>011-003-XXX</b> Serial port Timeout/Parity error	1. <b>System board</b>
<b>011-013-XXX</b> <b>011-014-XXX</b> Serial port Control Signal/Loopback test failure	1. <b>System board</b>
<b>011-015-XXX</b> Serial port External Loopback failure	1. <b>Wrap plug</b> 2. System board
<b>011-027-XXX</b> Serial port Configuration/Setup error	1. <b>Run Setup, enable port</b> 2. Flash the system 3. System board
<b>011-03X-XXX</b> <b>011-04X-XXX</b> Serial port failure	1. <b>System board</b>
<b>011-195-XXX</b> Serial port Test aborted by user	1. <b>Information</b> 2. Re-start the test, if necessary
<b>011-196-XXX</b> Serial port test halt, error threshold exceeded	1. <b>Press F3 to review the log file</b> 2. Re-start the test to reset the log file
<b>011-197-XXX</b> Serial port test warning	1. <b>Make sure the component that is called out is connected and/or enabled</b> 2. Re-run test 3. Component that is called out in warning statement 4. Component under test
<b>011-198-XXX</b> Serial port test aborted	1. <b>If a component is called out, make sure it is connected and/or enabled</b> 2. Flash the system and re-test 3. Go to the "Undetermined problems" section
<b>011-199-XXX</b> Serial port test failed, cause unknown	1. <b>Go to the "Undetermined problems" section</b> 2. Flash the system and re-test 3. Replace component under function test
<b>011-2XX-XXX</b> Serial port signal failure	1. <b>External serial device</b> 2. System board
<b>014-000-XXX</b> Parallel port Interface Test Passed	1. <b>No action</b>

Diagnostic Error Code	FRU/Action
014-001-XXX Parallel port Presence	<ol style="list-style-type: none"> <li>1. <b>Remove external parallel device, if present</b></li> <li>2. Run setup, enable port</li> <li>3. System board</li> </ol>
014-002-XXX 014-003-XXX Parallel port Timeout/Parity error	<ol style="list-style-type: none"> <li>1. <b>System board</b></li> </ol>
014-013-XXX 014-014-XXX Parallel port Control Signal/Loopback test failure	<ol style="list-style-type: none"> <li>1. <b>System board</b></li> </ol>
014-015-XXX Parallel port External Loopback failure	<ol style="list-style-type: none"> <li>1. <b>Wrap plug</b></li> <li>2. System board</li> </ol>
014-027-XXX Parallel port Configuration/Setup error	<ol style="list-style-type: none"> <li>1. <b>Run Setup, enable port</b></li> <li>2. Flash the system</li> <li>3. System board</li> </ol>
014-03X-XXX 014-04X-XXX Parallel port failure	<ol style="list-style-type: none"> <li>1. <b>System board</b></li> </ol>
014-195-XXX Parallel port Test aborted by user	<ol style="list-style-type: none"> <li>1. <b>Information</b></li> <li>2. Re-start the test, if necessary</li> </ol>
014-196-XXX Parallel port test halt, error threshold exceeded	<ol style="list-style-type: none"> <li>1. <b>Press F3 to review the log file</b></li> <li>2. Re-start the test to reset the log file</li> </ol>
014-197-XXX Parallel port test warning	<ol style="list-style-type: none"> <li>1. <b>Make sure the component that is called out is connected and/or enabled</b></li> <li>2. Re-run test</li> <li>3. Component that is called out in warning statement</li> <li>4. Component under test</li> </ol>
014-198-XXX Parallel port test aborted	<ol style="list-style-type: none"> <li>1. <b>If a component is called out, make sure it is connected and/or enabled</b></li> <li>2. Flash the system and re-test</li> <li>3. Go to the "Undetermined problems" section</li> </ol>
014-199-XXX Parallel port test failed, cause unknown	<ol style="list-style-type: none"> <li>1. <b>Go to the "Undetermined problems" section</b></li> <li>2. Flash the system and re-test</li> <li>3. Replace component under function test</li> </ol>
014-2XX-XXX 014-3XX-XXX Parallel port failure	<ol style="list-style-type: none"> <li>1. <b>External parallel device</b></li> <li>2. System board</li> </ol>
015-000-XXX USB port Interface Test Passed	<ol style="list-style-type: none"> <li>1. <b>No action</b></li> </ol>
015-001-XXX USB port Presence	<ol style="list-style-type: none"> <li>1. <b>Remove USB device(s) and re-test</b></li> <li>2. System board</li> </ol>

Diagnostic Error Code	FRU/Action
015-002-XXX USB port Timeout	<ol style="list-style-type: none"> <li>1. <b>Remove USB device(s) and re-test</b></li> <li>2. System board</li> </ol>
015-015-XXX USB port External Loopback failure	<ol style="list-style-type: none"> <li>1. <b>Remove USB device(s) and re-test</b></li> <li>2. System board</li> </ol>
015-027-XXX USB port Configuration/Setup error	<ol style="list-style-type: none"> <li>1. <b>Flash the system</b></li> <li>2. System board</li> </ol>
015-032-XXX USB port Device Controller failure	<ol style="list-style-type: none"> <li>1. <b>System board</b></li> </ol>
015-034-XXX USB port buffer allocation failure	<ol style="list-style-type: none"> <li>1. <b>Reboot the system</b></li> <li>2. Flash the system</li> <li>3. Run memory test</li> <li>4. System board</li> </ol>
015-035-XXX USB port Reset condition detected	<ol style="list-style-type: none"> <li>1. <b>Remove USB device(s) and re-test</b></li> <li>2. System board</li> </ol>
015-036-XXX USB port Register error	<ol style="list-style-type: none"> <li>1. <b>System board</b></li> </ol>
015-040-XXX USB port IRQ failure	<ol style="list-style-type: none"> <li>1. <b>Run setup and check for conflicts</b></li> <li>2. Flash the system</li> <li>3. System board</li> </ol>
015-195-XXX USB port Test aborted by user	<ol style="list-style-type: none"> <li>1. <b>Information</b></li> <li>2. Re-start the test, if necessary</li> </ol>
015-196-XXX USB port test halt, error threshold exceeded	<ol style="list-style-type: none"> <li>1. <b>Press F3 to review the log file</b></li> <li>2. Re-start the test to reset the log file</li> </ol>
015-197-XXX USB port test warning	<ol style="list-style-type: none"> <li>1. <b>Make sure the component that is called out is connected and/or enabled</b></li> <li>2. Re-run test</li> <li>3. Component that is called out in warning statement</li> <li>4. Component under test</li> </ol>
015-198-XXX USB port test aborted	<ol style="list-style-type: none"> <li>1. <b>If a component is called out, make sure it is connected and/or enabled</b></li> <li>2. Flash the system and re-test</li> <li>3. Go to the "Undetermined problems" section</li> </ol>
015-199-XXX USB port test failed, cause unknown	<ol style="list-style-type: none"> <li>1. <b>Go to the "Undetermined problems" section</b></li> <li>2. Flash the system and re-test</li> <li>3. Replace component under function test</li> </ol>
018-000-XXX PCI Card Test Passed	<ol style="list-style-type: none"> <li>1. <b>No action</b></li> </ol>
018-0XX-XXX PCI Card Failure	<ol style="list-style-type: none"> <li>1. <b>Riser card, if installed</b></li> <li>2. System board</li> </ol>

Diagnostic Error Code	FRU/Action
<b>018-195-XXX</b> PCI Card Test aborted by user	<ol style="list-style-type: none"> <li>1. <b>PCI card</b></li> <li>2. Information</li> <li>3. Re-start the test, if necessary</li> </ol>
<b>018-196-XXX</b> PCI Card test halt, error threshold exceeded	<ol style="list-style-type: none"> <li>1. <b>Press F3 to review the log file</b></li> <li>2. Re-start the test to reset the log file</li> </ol>
<b>018-197-XXX</b> PCI Card test warning	<ol style="list-style-type: none"> <li>1. <b>Make sure the component that is called out is connected and/or enabled</b></li> <li>2. Re-run test</li> <li>3. Component that is called out in warning statement</li> <li>4. Component under test</li> </ol>
<b>018-198-XXX</b> PCI Card test aborted	<ol style="list-style-type: none"> <li>1. <b>Make sure the component that is called out is connected and/or enabled</b></li> <li>2. Flash the system and re-test</li> <li>3. Go to the "Undetermined problems" section</li> </ol>
<b>018-199-XXX</b> PCI Card test failed, cause unknown	<ol style="list-style-type: none"> <li>1. <b>Go to the "Undetermined problems" section</b></li> <li>2. Flash the system and re-test</li> <li>3. Replace component under function test</li> </ol>
<b>018-250-XXX</b> PCI Card Services error	<ol style="list-style-type: none"> <li>1. <b>PCI card</b></li> <li>2. Riser card, if installed</li> <li>3. System board</li> </ol>
<b>020-000-XXX</b> PCI Interface Test Passed	<ol style="list-style-type: none"> <li>1. <b>No action</b></li> </ol>
<b>020-0XX-XXX</b> PCI Interface error	<ol style="list-style-type: none"> <li>1. <b>PCI card</b></li> <li>2. Riser card, if installed</li> <li>3. System board</li> </ol>
<b>020-195-XXX</b> PCI Test aborted by user	<ol style="list-style-type: none"> <li>1. <b>Information</b></li> <li>2. Re-start the test, if necessary</li> </ol>
<b>020-196-XXX</b> PCI test halt, error threshold exceeded	<ol style="list-style-type: none"> <li>1. <b>Press F3 to review the log file</b></li> <li>2. Re-start the test to reset the log file</li> </ol>
<b>020-197-XXX</b> PCI test warning	<ol style="list-style-type: none"> <li>1. <b>Make sure the component that is called out is connected and/or enabled</b></li> <li>2. Re-run test</li> <li>3. Component that is called out in warning statement</li> <li>4. Component under test</li> </ol>
<b>020-198-XXX</b> PCI test aborted	<ol style="list-style-type: none"> <li>1. <b>If a component is called out, make sure it is connected and/or enabled</b></li> <li>2. Flash the system and re-test</li> <li>3. Go to the "Undetermined problems" section</li> </ol>

Diagnostic Error Code	FRU/Action
<b>020-199-XXX</b> PCI test failed, cause unknown	<ol style="list-style-type: none"> <li>1. Go to the "Undetermined problems" section</li> <li>2. Flash the system and re-test</li> <li>3. Replace component under function test</li> </ol>
<b>020-262-XXX</b> PCI system error	<ol style="list-style-type: none"> <li>1. PCI card</li> <li>2. Riser card, if installed</li> <li>3. System board</li> </ol>
<b>025-000-XXX</b> IDE interface Test Passed	<ol style="list-style-type: none"> <li>1. No action</li> </ol>
<b>025-00X-XXX</b> <b>025-01X-XXX</b> IDE interface failure	<ol style="list-style-type: none"> <li>1. IDE signal cable</li> <li>2. Check power supply</li> <li>3. IDE device</li> <li>4. System board</li> </ol>
<b>025-027-XXX</b> IDE interface Configuration/Setup error	<ol style="list-style-type: none"> <li>1. IDE signal cable</li> <li>2. Flash the system</li> <li>3. IDE device</li> <li>4. System board</li> </ol>
<b>025-02X-XXX</b> <b>025-03X-XXX</b> <b>025-04X-XXX</b> IDE Interface failure	<ol style="list-style-type: none"> <li>1. IDE signal cable</li> <li>2. Check power supply</li> <li>3. IDE device</li> <li>4. System board</li> </ol>
<b>025-195-XXX</b> IDE interface Test aborted by user	<ol style="list-style-type: none"> <li>1. Information</li> <li>2. Re-start the test, if necessary</li> </ol>
<b>025-196-XXX</b> IDE interface test halt, error threshold exceeded	<ol style="list-style-type: none"> <li>1. Press F3 to review the log file</li> <li>2. Re-start the test to reset the log file</li> </ol>
<b>025-197-XXX</b> IDE interface test warning	<ol style="list-style-type: none"> <li>1. Make sure the component that is called out is connected and/or enabled</li> <li>2. Re-run test</li> <li>3. Component that is called out in warning statement</li> <li>4. Component under test</li> </ol>
<b>025-198-XXX</b> IDE interface test aborted	<ol style="list-style-type: none"> <li>1. If a component is called out, make sure it is connected and/or enabled</li> <li>2. Flash the system and re-test</li> <li>3. Go to the "Undetermined problems" section</li> </ol>
<b>025-199-XXX</b> IDE interface test failed, cause unknown	<ol style="list-style-type: none"> <li>1. Go to the "Undetermined problems" section</li> <li>2. Flash the system and re-test</li> <li>3. Replace component under function test</li> </ol>
<b>030-000-XXX</b> SCSI interface Test Passed	<ol style="list-style-type: none"> <li>1. No action</li> </ol>

Diagnostic Error Code	FRU/Action
030-00X-XXX 030-01X-XXX SCSI interface failure	<ol style="list-style-type: none"> <li>1. <b>SCSI signal cable</b></li> <li>2. Check power supply</li> <li>3. SCSI device</li> <li>4. SCSI adapter card, if installed</li> <li>5. System board</li> </ol>
030-027-XXX SCSI interface Configuration/Setup error	<ol style="list-style-type: none"> <li>1. <b>SCSI signal cable</b></li> <li>2. Flash the system</li> <li>3. SCSI device</li> <li>4. SCSI adapter card, if installed</li> <li>5. System board</li> </ol>
030-03X-XXX 030-04X-XXX SCSI interface error	<ol style="list-style-type: none"> <li>1. <b>SCSI signal cable</b></li> <li>2. Check power supply</li> <li>3. SCSI device</li> <li>4. SCSI adapter card, if installed</li> <li>5. installed System board</li> </ol>
030-195-XXX SCSI interface Test aborted by user	<ol style="list-style-type: none"> <li>1. <b>Information</b></li> <li>2. Re-start the test, if necessary</li> </ol>
030-196-XXX SCSI interface test halt, error threshold exceeded	<ol style="list-style-type: none"> <li>1. <b>Press F3 to review the log file</b></li> <li>2. Re-start the test to reset the log file</li> </ol>
030-197-XXX SCSI interface test warning	<ol style="list-style-type: none"> <li>1. <b>Make sure the component that is called out is connected and/or enabled</b></li> <li>2. Re-run test</li> <li>3. Component that is called out in warning statement</li> <li>4. Component under test</li> </ol>
030-198-XXX SCSI interface test aborted	<ol style="list-style-type: none"> <li>1. <b>If a component is called out, make sure it is connected and/or enabled</b></li> <li>2. Flash the system and re-test</li> <li>3. Go to the "Undetermined problems" section</li> </ol>
030-199-XXX SCSI interface test failed, cause unknown	<ol style="list-style-type: none"> <li>1. <b>Go to the "Undetermined problems" section</b></li> <li>2. Flash the system and re-test</li> <li>3. Replace component under function test</li> </ol>
035-000-XXX RAID interface Test Passed	<ol style="list-style-type: none"> <li>1. <b>No action</b></li> </ol>
035-0XX-XXX RAID interface Failure	<ol style="list-style-type: none"> <li>1. <b>RAID signal cable</b></li> <li>2. RAID device</li> <li>3. RAID adapter card, if installed</li> <li>4. System board</li> </ol>
035-195-XXX RAID interface Test aborted by user	<ol style="list-style-type: none"> <li>1. <b>Information</b></li> <li>2. Re-start the test, if necessary</li> </ol>



Diagnostic Error Code	FRU/Action
<b>035-196-XXX</b> RAID interface test halt, error threshold exceeded	<ol style="list-style-type: none"> <li>1. <b>Press F3 to review the log file</b></li> <li>2. Re-start the test to reset the log file</li> </ol>
<b>035-197-XXX</b> RAID interface test warning	<ol style="list-style-type: none"> <li>1. <b>Make sure the component that is called out is connected and/or enabled</b></li> <li>2. Re-run test</li> <li>3. Component that is called out in warning statement</li> <li>4. Component under test</li> </ol>
<b>035-198-XXX</b> RAID interface test aborted	<ol style="list-style-type: none"> <li>1. <b>If a component is called out, make sure it is connected and/or enabled</b></li> <li>2. Flash the system and re-test</li> <li>3. Go to the "Undetermined problems" section</li> </ol>
<b>035-199-XXX</b> RAID interface test failed, cause unknown	<ol style="list-style-type: none"> <li>1. <b>Go to the "Undetermined problems" section</b></li> <li>2. Flash the system and re-test</li> <li>3. Replace component under function test</li> </ol>
<b>071-000-XXX</b> Audio port Interface Test Passed	<ol style="list-style-type: none"> <li>1. <b>No action</b></li> </ol>
<b>071-00X-XXX</b> <b>071-01X-XXX</b> <b>071-02X-XXX</b> Audio port error	<ol style="list-style-type: none"> <li>1. <b>Run Setup</b></li> <li>2. Flash the system</li> <li>3. System board</li> </ol>
<b>071-03X-XXX</b> Audio port failure	<ol style="list-style-type: none"> <li>1. <b>Speakers</b></li> <li>2. Microphone</li> <li>3. Audio card, if installed</li> <li>4. System board</li> </ol>
<b>071-04X-XXX</b> Audio port failure	<ol style="list-style-type: none"> <li>1. <b>Run Setup</b></li> <li>2. Audio card, if installed</li> <li>3. System board</li> </ol>
<b>071-195-XXX</b> Audio port Test aborted by user	<ol style="list-style-type: none"> <li>1. <b>Information</b></li> <li>2. Re-start the test, if necessary</li> </ol>
<b>071-196-XXX</b> Audio port test halt, error threshold exceeded	<ol style="list-style-type: none"> <li>1. <b>Press F3 to review the log file</b></li> <li>2. Re-start the test to reset the log file</li> </ol>
<b>071-197-XXX</b> Audio port test warning	<ol style="list-style-type: none"> <li>1. <b>Make sure the component that is called out is connected and/or enabled</b></li> <li>2. Re-run test</li> <li>3. Component that is called out in warning statement</li> <li>4. Component under test</li> </ol>
<b>071-198-XXX</b> Audio port test aborted	<ol style="list-style-type: none"> <li>1. <b>If a component is called out, make sure it is connected and/or enabled</b></li> <li>2. Flash the system and re-test</li> <li>3. Go to the "Undetermined problems" section</li> </ol>

Diagnostic Error Code	FRU/Action
<b>071-199-XXX</b> Audio port test failed, cause unknown	<ol style="list-style-type: none"> <li>1. Go to the "Undetermined problems" section</li> <li>2. Flash the system and re-test</li> <li>3. Replace component under function test</li> </ol>
<b>071-25X-XXX</b> Audio port failure	<ol style="list-style-type: none"> <li>1. Speakers</li> <li>2. Audio card, if installed</li> <li>3. System board</li> </ol>
<b>080-000-XXX</b> Game Port interface Test Passed	<ol style="list-style-type: none"> <li>1. No action</li> </ol>
<b>080-XXX-XXX</b> Game Port interface Error	<ol style="list-style-type: none"> <li>1. Remove the game port device and re-test the system</li> </ol>
<b>080-195-XXX</b> Game Port interface Test aborted by user	<ol style="list-style-type: none"> <li>1. Information</li> <li>2. Re-start the test, if necessary</li> </ol>
<b>080-196-XXX</b> Game Port interface test halt, error threshold exceeded	<ol style="list-style-type: none"> <li>1. Press F3 to review the log file</li> <li>2. Re-start the test to reset the log file</li> </ol>
<b>080-197-XXX</b> Game Port interface test warning	<ol style="list-style-type: none"> <li>1. Make sure the component that is called out is connected and/or enabled</li> <li>2. Re-run test</li> <li>3. Component that is called out in warning statement</li> <li>4. Component under test</li> </ol>
<b>080-198-XXX</b> Game Port interface test aborted	<ol style="list-style-type: none"> <li>1. If a component is called out, make sure it is connected and/or enabled</li> <li>2. Flash the system and re-test</li> <li>3. Go to the "Undetermined problems" section</li> </ol>
<b>080-199-XXX</b> Game Port interface test failed, cause unknown	<ol style="list-style-type: none"> <li>1. Go to the "Undetermined problems" section</li> <li>2. Flash the system and re-test</li> <li>3. Replace component under function test</li> </ol>
<b>086-000-XXX</b> Mouse Port interface Test Passed	<ol style="list-style-type: none"> <li>1. No action</li> </ol>
<b>086-001-XXX</b> Mouse Port interface Presence	<ol style="list-style-type: none"> <li>1. Mouse</li> <li>2. System board</li> </ol>
<b>086-032-XXX</b> Mouse Port interface Device controller failure	<ol style="list-style-type: none"> <li>1. Mouse</li> <li>2. System board</li> </ol>
<b>086-035-XXX</b> Mouse Port interface Reset	<ol style="list-style-type: none"> <li>1. Mouse</li> <li>2. System board</li> </ol>
<b>086-040-XXX</b> Mouse Port interface IRQ failure	<ol style="list-style-type: none"> <li>1. Run Setup</li> <li>2. Mouse</li> <li>3. System board</li> </ol>
<b>086-195-XXX</b> Mouse Port interface Test aborted by user	<ol style="list-style-type: none"> <li>1. Information</li> <li>2. Re-start the test, if necessary</li> </ol>

Diagnostic Error Code	FRU/Action
<b>086-196-XXX</b> Mouse Port interface test halt, error threshold exceeded	<ol style="list-style-type: none"> <li>1. <b>Press F3 to review the log file</b></li> <li>2. Re-start the test to reset the log file</li> </ol>
<b>086-197-XXX</b> Mouse Port interface test warning	<ol style="list-style-type: none"> <li>1. Make sure the component that is called out is connected and/or enabled</li> <li>2. Re-run test</li> <li>3. Component that is called out in warning statement</li> <li>4. Component under test</li> </ol>
<b>086-198-XXX</b> Mouse Port interface test aborted	<ol style="list-style-type: none"> <li>1. If a component is called out, make sure it is connected and/or enabled</li> <li>2. Flash the system and re-test</li> <li>3. Go to the "Undetermined problems" section</li> </ol>
<b>086-199-XXX</b> Mouse Port interface test failed, cause unknown	<ol style="list-style-type: none"> <li>1. <b>Go to the "Undetermined problems" section</b></li> <li>2. Flash the system and re-test</li> <li>3. Replace component under function test</li> </ol>
<b>089-000-XXX</b> Microprocessor Test Passed	<ol style="list-style-type: none"> <li>1. <b>No action</b></li> </ol>
<b>089-XXX-XXX</b> Microprocessor failure	<ol style="list-style-type: none"> <li>1. <b>Microprocessor(s)</b></li> <li>2. System board</li> </ol>
<b>089-195-XXX</b> Microprocessor Test aborted by user	<ol style="list-style-type: none"> <li>1. <b>Information</b></li> <li>2. Re-start the test, if necessary</li> </ol>
<b>089-196-XXX</b> Microprocessor test halt, error threshold exceeded	<ol style="list-style-type: none"> <li>1. <b>Press F3 to review the log file</b></li> <li>2. Re-start the test to reset the log file</li> </ol>
<b>089-197-XXX</b> Microprocessor test warning	<ol style="list-style-type: none"> <li>1. <b>Make sure the component that is called out is connected and/or enabled</b></li> <li>2. Re-run test</li> <li>3. Component that is called out in warning statement</li> <li>4. Component under test</li> </ol>
<b>089-198-XXX</b> Microprocessor test aborted	<ol style="list-style-type: none"> <li>1. <b>Flash the system and re-test</b></li> <li>2. Go to the "Undetermined problems" section</li> </ol>
<b>089-199-XXX</b> Microprocessor test failed, cause unknown	<ol style="list-style-type: none"> <li>1. <b>If a component is called out, make sure it is connected and/or enabled</b></li> <li>2. Go to the "Undetermined problems" section</li> <li>3. Flash the system and re-test</li> <li>4. Replace component under function test</li> </ol>
<b>170-000-XXX</b> Voltage Sensor(s) Test Passed	<ol style="list-style-type: none"> <li>1. <b>No action</b></li> </ol>
<b>170-0XX-XXX</b> Voltage Sensor(s) failure	<ol style="list-style-type: none"> <li>1. <b>Flash system</b></li> <li>2. System board</li> </ol>

Diagnostic Error Code	FRU/Action
<b>170-195-XXX</b> Voltage Sensor(s) Test aborted by user	<ol style="list-style-type: none"> <li><b>Information</b></li> <li>Re-start the test, if necessary</li> </ol>
<b>170-196-XXX</b> Voltage Sensor(s) test halt, error threshold exceeded	<ol style="list-style-type: none"> <li><b>Press F3 to review the log file</b></li> <li>Re-start the test to reset the log file</li> </ol>
<b>170-197-XXX</b> Voltage Sensor(s) test warning	<ol style="list-style-type: none"> <li><b>Make sure the component that is called out is connected and/or enabled</b></li> <li>Re-run test</li> <li>Component that is called out in warning statement</li> <li>Component under test</li> </ol>
<b>170-198-XXX</b> Voltage Sensor(s) test aborted	<ol style="list-style-type: none"> <li><b>If a component is called out, make sure it is connected and/or enabled</b></li> <li>Flash the system and re-test</li> <li>Go to the "Undetermined problems" section</li> </ol>
<b>170-199-XXX</b> Voltage Sensor(s) test failed, cause unknown	<ol style="list-style-type: none"> <li><b>Go to the "Undetermined problems" section</b></li> <li>Flash the system and re-test</li> <li>Replace component under function test</li> </ol>
<b>170-250-XXX</b> <b>170-251-XXX</b> Voltage Sensor(s) Voltage limit error	<ol style="list-style-type: none"> <li><b>Power supply</b></li> <li>System board</li> </ol>
<b>170-254-XXX</b> Voltage Sensor(s) Voltage Regulator Module error	<ol style="list-style-type: none"> <li><b>Voltage Regulator Module (VRM)</b></li> <li>Microprocessor</li> <li>System board</li> </ol>
<b>175-000-XXX</b> Thermal Sensor(s) Test Passed	<ol style="list-style-type: none"> <li><b>No action</b></li> </ol>
<b>175-0XX-XXX</b> Thermal Sensor(s) failure	<ol style="list-style-type: none"> <li><b>Flash system</b></li> <li>System board</li> </ol>
<b>175-195-XXX</b> Thermal Sensor(s) Test aborted by user	<ol style="list-style-type: none"> <li><b>Information</b></li> <li>Re-start the test, if necessary</li> </ol>
<b>175-196-XXX</b> Thermal Sensor(s) test halt, error threshold exceeded	<ol style="list-style-type: none"> <li><b>Press F3 to review the log file</b></li> <li>Re-start the test to reset the log file</li> </ol>
<b>175-197-XXX</b> Thermal Sensor(s) test warning	<ol style="list-style-type: none"> <li><b>Make sure the component that is called out is connected and/or enabled</b></li> <li>Re-run test</li> <li>Component that is called out in warning statement</li> <li>Component under test</li> </ol>
<b>175-198-XXX</b> Thermal Sensor(s) test aborted	<ol style="list-style-type: none"> <li><b>If a component is called out, make sure it is connected and/or enabled</b></li> <li>Flash the system and re-test</li> <li>Go to "Undetermined problems" section</li> </ol>

Diagnostic Error Code	FRU/Action
<b>175-199-XXX</b> Thermal Sensor(s) test failed, cause unknown	<ol style="list-style-type: none"> <li>1. Go to the "Undetermined problems" section</li> <li>2. Flash the system and re-test</li> <li>3. Replace component under function test</li> </ol>
<b>175-250-XXX</b> <b>175-251-XXX</b> Thermal Sensor(s) limit error	<ol style="list-style-type: none"> <li>1. Check fans</li> <li>2. Check Power supply</li> <li>3. Microprocessor</li> <li>4. System board</li> </ol>
<b>185-000-XXX</b> Asset Security Test Passed	<ol style="list-style-type: none"> <li>1. No action</li> </ol>
<b>185-XXX-XXX</b> Asset Security failure	<ol style="list-style-type: none"> <li>1. Flash system</li> <li>2. System board</li> </ol>
<b>185-278-XXX</b> Asset Security Chassis Intrusion	<ol style="list-style-type: none"> <li>1. Assure Asset Security Enabled</li> <li>2. C2 Cover Switch</li> <li>3. System board</li> </ol>
<b>201-000-XXX</b> System Memory Test Passed	<ol style="list-style-type: none"> <li>1. No action</li> </ol>
<b>201-XXX-XXX</b> System Memory error	<ol style="list-style-type: none"> <li>1. Replace the memory module called out by the test</li> <li>2. System board</li> </ol>
<b>202-000-XXX</b> System Cache Test Passed	<ol style="list-style-type: none"> <li>1. No action</li> </ol>
<b>202-XXX-XXX</b> System Cache error	<ol style="list-style-type: none"> <li>1. Cache, if removable</li> <li>2. System board</li> <li>3. Microprocessor</li> </ol>
<b>206-000-XXX</b> Diskette Drive Test Passed	<ol style="list-style-type: none"> <li>1. No action</li> </ol>
<b>206-XXX-XXX</b> Diskette Drive error	<ol style="list-style-type: none"> <li>1. Diskette Drive Cable</li> <li>2. Check power supply voltages</li> <li>3. Diskette drive</li> <li>4. System board</li> </ol>
<b>215-000-XXX</b> CD-ROM Drive Test Passed	<ol style="list-style-type: none"> <li>1. No action</li> </ol>
<b>215-XXX-XXX</b> CD-ROM Drive error	<ol style="list-style-type: none"> <li>1. CD-ROM Drive Cable</li> <li>2. Check power supply voltages</li> <li>3. CD-ROM drive</li> <li>4. System board</li> </ol>
<b>217-000-XXX</b> Hard Disk Drive Test Passed	<ol style="list-style-type: none"> <li>1. No action</li> </ol>
<b>217-25X-XXX</b> <b>217-26X-XXX</b> Hard Disk Drive (IDE) error	<ol style="list-style-type: none"> <li>1. Hard Disk Drive Cable</li> <li>2. Check power supply voltages</li> <li>3. Hard Disk drive (IDE)</li> <li>4. System board</li> </ol>

<b>Diagnostic Error Code</b>	<b>FRU/Action</b>
217-28X-XXX 217-29X-XXX Hard Disk Drive (SCSI) error	<ol style="list-style-type: none"> <li>1. <b>Hard Disk Drive Cable</b></li> <li>2. Check power supply voltages</li> <li>3. Hard Disk drive (SCSI)</li> <li>4. SCSI adapter card</li> <li>5. System board</li> </ol>
220-000-XXX Hi-Capacity Cartridge Drive Test Passed	<ol style="list-style-type: none"> <li>1. <b>No action</b></li> </ol>
220-XXX-XXX Hi-Capacity Cartridge Drive error	<ol style="list-style-type: none"> <li>1. <b>Remove the Hi-Capacity Cartridge Drive and re-test the system</b></li> </ol>
301-XXX-XXX Keyboard error	<ol style="list-style-type: none"> <li>1. <b>Keyboard</b></li> <li>2. Check and test mouse</li> <li>3. System board</li> </ol>
301-000-XXX Keyboard Test Passed	<ol style="list-style-type: none"> <li>1. <b>No action</b></li> </ol>
302-000-XXX Mouse Test Passed	<ol style="list-style-type: none"> <li>1. <b>No action</b></li> </ol>
302-XXX-XXX Mouse error	<ol style="list-style-type: none"> <li>1. <b>Mouse</b></li> <li>2. Check and test Keyboard</li> <li>3. System board</li> </ol>
303-000-XXX Joystick Test Passed	<ol style="list-style-type: none"> <li>1. <b>No action</b></li> </ol>
303-XXX-XXX Joystick error	<ol style="list-style-type: none"> <li>1. <b>Remove the Joystick and re-test the system</b></li> </ol>
305-000-XXX Monitor DDC Test Passed	<ol style="list-style-type: none"> <li>1. <b>No action</b></li> </ol>
305-250-XXX Monitor DDC self test failure	<ol style="list-style-type: none"> <li>1. <b>Run Setup to enable DDC</b></li> <li>2. Cable</li> <li>3. Monitor</li> <li>4. Video card</li> <li>5. System board</li> </ol>
415-000-XXX Modem Test Passed	<ol style="list-style-type: none"> <li>1. <b>No action</b></li> </ol>
415-XXX-XXX Modem error	<ol style="list-style-type: none"> <li>1. <b>Remove the Modem and re-test the system</b></li> </ol>

## Beep symptoms

Beep symptoms are short tones or a series of short tones separated by pauses (intervals without sound). See the following examples.

Beeps	Description
1-2-X	<ul style="list-style-type: none"> <li>• One beep</li> <li>• A pause (or break)</li> <li>• Two beeps</li> <li>• A pause (or break)</li> <li>• Any number of breaks</li> </ul>
4	Four continuous beeps

Use the following table to diagnose beep symptoms.

Beep Symptom	FRU/Action
1-1-3 CMOS read-write error	<ol style="list-style-type: none"> <li>1. <b>Run Setup</b></li> <li>2. System Board</li> </ol>
1-1-4 ROM BIOS check error	<ol style="list-style-type: none"> <li>1. <b>System Board</b></li> </ol>
1-2-X DMA error	<ol style="list-style-type: none"> <li>1. <b>System Board</b></li> </ol>
1-3-X	<ol style="list-style-type: none"> <li>1. <b>Memory Module</b></li> <li>2. System Board</li> </ol>
1-4-4	<ol style="list-style-type: none"> <li>1. <b>Keyboard</b></li> <li>2. System Board</li> </ol>
1-4-X Error detected in first 64 KB of RAM	<ol style="list-style-type: none"> <li>1. <b>Memory Module</b></li> <li>2. System Board</li> </ol>
2-1-1, 2-1-2	<ol style="list-style-type: none"> <li>1. <b>Run Setup</b></li> <li>2. System Board</li> </ol>
2-1-X First 64 KB of RAM failed	<ol style="list-style-type: none"> <li>1. <b>Memory Module</b></li> <li>2. System Board</li> </ol>
2-2-2	<ol style="list-style-type: none"> <li>1. <b>Video Adapter (if installed)</b></li> <li>2. System Board</li> </ol>
2-2-X First 64 KB of RAM failed	<ol style="list-style-type: none"> <li>1. <b>Memory Module</b></li> <li>2. System Board</li> </ol>
2-3-X	<ol style="list-style-type: none"> <li>1. <b>Memory Module</b></li> <li>2. System Board</li> </ol>
2-4-X	<ol style="list-style-type: none"> <li>1. <b>Run Setup</b></li> <li>2. Memory Module</li> <li>3. System Board</li> </ol>
3-1-X DMA register failed	<ol style="list-style-type: none"> <li>1. <b>System Board</b></li> </ol>
3-2-4 Keyboard controller failed	<ol style="list-style-type: none"> <li>1. <b>System Board</b></li> <li>2. Keyboard</li> </ol>

Beep Symptom	FRU/Action
<b>3-3-4</b> Screen initialization failed	1. <b>Video Adapter (if installed)</b> 2. System Board Display
<b>3-4-1</b> Screen retrace test detected an error	1. <b>Video Adapter (if installed)</b> 2. System Board 3. Display
<b>3-4-2</b> POST is searching for video ROM	1. <b>Video Adapter (if installed)</b> 2. System Board
<b>4</b>	1. <b>Video Adapter (if installed)</b> 2. System Board
All other beep code sequences	1. <b>System Board</b>
One long and one short beep during POST. Base 640 KB memory error or shadow RAM error	1. <b>Memory Module</b> 2. System Board
One long beep and two or three short beeps during POST. (Video error)	1. <b>Video Adapter (if installed)</b> 2. System Board
Three short beeps during POST	1. <b>See "System board memory" on page 30.</b> 2. System Board
Continuous beep	1. <b>System Board</b>
Repeating short beeps	1. <b>Keyboard stuck key?</b> 2. Keyboard Cable 3. System Board

## No-beep symptoms

<p><b>Important:</b></p> <p>Type 2271/6840/6841 computers default to come up quiet (no beep and no memory count and checkpoint code display) when no errors are detected by POST.</p> <p>To enable beep and memory count and checkpoint code display when a successful POST occurs, do the following:</p> <ol style="list-style-type: none"> <li>1. Select <b>Start Options</b> in the Configuration/Setup Utility program (see "Setup Utility program" on page 7).</li> <li>2. Set <b>Power-On Self-Test</b> to <b>Enhanced</b>.</li> </ol>
--

Symptom/Error	FRU/Action
No beep during POST but computer works correctly.	1. <b>System Board</b>



Symptom/Error	FRU/Action
No beep during POST.	<ol style="list-style-type: none"> <li>1. See “Undetermined problems” on page 75.</li> <li>2. System Board</li> <li>3. Memory Module</li> <li>4. Any Adapter or Device</li> <li>5. Riser Card</li> <li>6. Power Cord</li> <li>7. Power Supply</li> </ol>

## POST error codes

Each time you power-on the system, it performs a series of tests that check the operation of the system and some options. This series of tests is called the *Power-On Self-Test*, or *POST*. POST does the following operations.

- Checks some basic system-board operations
- Checks the memory operation
- Starts the video operation
- Verifies that the diskette drive is working
- Verifies that the hard disk drive is working

If the POST finishes without detecting any problems, a single beep sounds and the first screen of the operating system or application program appears.

### Note:

Type 2271/6840/6841 computers default to come up quiet (no beep and no memory count and checkpoint code display) when no errors are detected by POST.

To enable beep and memory count and checkpoint code display when a successful POST occurs, do the following:

1. Select **Start Options** in the Configuration/Setup Utility program (see “Setup Utility program” on page 7).
2. Set **Power-On Self-Test** to **Enhanced**.

If the POST detects a problem, an error message appears on the screen. A single problem can cause several error messages to appear. When you correct the cause of the first error message, the other error messages probably will not appear on the screen the next time you turn on the system.

In the following index, X can represent any number.

POST Error Code	FRU/Action
000 SCSI Adapter not enabled	1. <b>Verify adapter device and Bus Master fields are enabled in PCI configuration program. See documentation shipped with computer.</b>
02X	1. <b>SCSI Adapter</b>

<b>POST Error Code</b>	<b>FRU/Action</b>
<b>08X</b> Check SCSI terminator installation.	<ol style="list-style-type: none"> <li>1. <b>SCSI Cable</b></li> <li>2. SCSI Terminator</li> <li>3. SCSI Device</li> <li>4. SCSI Adapter</li> </ol>
<b>101</b> System board interrupt failure	<ol style="list-style-type: none"> <li>1. <b>System Board</b></li> </ol>
<b>102</b> System board timer error	<ol style="list-style-type: none"> <li>1. <b>System Board</b></li> </ol>
<b>106</b>	<ol style="list-style-type: none"> <li>1. <b>System Board</b></li> </ol>
<b>110</b> System board memory parity error	<ol style="list-style-type: none"> <li>1. <b>Memory Module</b></li> <li>2. System Board</li> </ol>
<b>111</b> I/O channel parity error	<ol style="list-style-type: none"> <li>1. <b>Reseat adapters</b></li> <li>2. Any adapter</li> <li>3. Riser card</li> <li>4. System Board</li> </ol>
<b>114</b> Adapter ROM error	<ol style="list-style-type: none"> <li>1. <b>Adapter Memory</b></li> <li>2. System Board</li> <li>3. Riser card</li> </ol>
<b>129</b> Internal cache test error	<ol style="list-style-type: none"> <li>1. <b>Processor</b></li> <li>2. L2 Cache Memory</li> <li>3. System Board</li> </ol>
<b>151</b> Real-time clock failure	<ol style="list-style-type: none"> <li>1. <b>System Board</b></li> </ol>
<b>161</b> Bad CMOS battery	<ol style="list-style-type: none"> <li>1. <b>Run Setup</b></li> <li>2. CMOS Backup Battery (see "Safety Information" on page 125)</li> <li>3. System Board</li> </ol>
<b>162</b> Configuration mismatch	<ol style="list-style-type: none"> <li>1. <b>Run Setup and verify Configuration</b></li> <li>2. Had a device been added, removed, changed location? If not, suspect that device.</li> <li>3. Power-on external devices first, then power-on computer</li> <li>4. CMOS Backup Battery (see "Safety Information" on page 125) System Board</li> <li>5. System Board</li> <li>6. Riser card</li> </ol>
<b>162</b> And unable to run diagnostics	<ol style="list-style-type: none"> <li>1. <b>Diskette Drive</b></li> <li>2. System Board</li> <li>3. Diskette Drive Cable</li> <li>4. Riser card</li> </ol>

POST Error Code	FRU/Action
<b>163</b> Clock not updating or invalid time set	<ol style="list-style-type: none"> <li><b>Time and Date Set?</b></li> <li>CMOS Backup Battery (see "Safety Information" on page 125)</li> <li>System Board</li> </ol>
<b>164</b> POST detected a base memory or extended memory size mismatch error or RIMM socket 3 is populated with a RIMM memory module	<ol style="list-style-type: none"> <li><b>Run Setup. Check System Summary menu for memory size change. (See "Setup Utility program" on page 7.)</b></li> <li>Run the Extended Memory Diagnostic tests</li> </ol>
<b>166</b> Boot Block Check Sum Error	<ol style="list-style-type: none"> <li><b>Run Flash Recovery using Boot Block. See "Flash recovery boot block jumper" on page 88.</b></li> <li>System Board</li> </ol>
<b>167</b> Microprocessor installed that is not supported by the current POST/BIOS	<ol style="list-style-type: none"> <li><b>Run Setup. Check Stepping level for the BIOS level needed, then perform the flash update.</b></li> <li>Processor</li> </ol>
<b>168</b> Alert on LAN error	<ol style="list-style-type: none"> <li><b>Run Setup. Check to see that Ethernet and Alert on LAN are enabled.</b></li> <li>System Board</li> <li>Riser card</li> </ol>
<b>17X, 18X</b>	<ol style="list-style-type: none"> <li><b>C2 Security</b></li> </ol>
<b>175</b>	<ol style="list-style-type: none"> <li><b>Run Configuration. See "Setup Utility program" on page 7.</b></li> <li>System Board</li> </ol>
<b>176</b>	<ol style="list-style-type: none"> <li><b>Covers were removed from the computer</b></li> </ol>
<b>177</b> Corrupted Administrator Password	<ol style="list-style-type: none"> <li><b>System Board</b></li> </ol>
<b>178</b>	<ol style="list-style-type: none"> <li><b>System Board</b></li> </ol>
<b>183</b>	<ol style="list-style-type: none"> <li><b>Enter the administrator password</b></li> </ol>
<b>184</b> No RFID Antenna	<ol style="list-style-type: none"> <li><b>Make sure Asset Care and Asset ID are enabled in Configuration/Setup</b></li> <li>RFID Antenna</li> <li>System Board</li> <li>Riser card</li> </ol>
<b>185</b> Corrupted boot sequence	<ol style="list-style-type: none"> <li><b>Set configuration and reinstall the boot sequence</b></li> </ol>
<b>186</b>	<ol style="list-style-type: none"> <li><b>System Board</b></li> </ol>
<b>187</b>	<ol style="list-style-type: none"> <li><b>Clear Administration password</b></li> <li>System Board</li> </ol>
<b>189</b>	<ol style="list-style-type: none"> <li><b>More than three password attempts were made to access the computer</b></li> </ol>

<b>POST Error Code</b>	<b>FRU/Action</b>
<b>190</b> Chassis intrusion detector was cleared. This is information only, no action required. If this code does not clear:	1. <b>System Board</b>
<b>1XX</b> Not listed above	1. <b>System Board</b>
<b>201, 20X</b> Memory data error	1. <b>Run Enhanced Diagnostics Memory Test</b> 2. Memory Module 3. System Board
<b>225</b>	1. <b>Unsupported Memory</b>
<b>229</b> External cache test error	1. <b>L2 Cache Memory</b> 2. System Board
<b>262</b> POST detected a base memory or extended memory type error	1. <b>Run Setup. Check System Summary menu for memory. (See "Setup Utility program" on page 7.)</b> 2. Run the Extended Memory Diagnostic tests.
<b>301</b>	1. <b>Keyboard</b> 2. Keyboard Cable 3. System Board
<b>303</b> With an 8603 error	1. <b>Mouse</b> 2. Keyboard 3. Keyboard Cable 4. System Board
<b>303</b> With no 8603 error	1. <b>Keyboard</b> 2. Keyboard Cable 3. System Board
<b>3XX</b> Not listed above	1. <b>Keyboard</b> 2. Keyboard Cable 3. System Board
<b>5XX</b>	1. <b>Video Adapter (if installed)</b> 2. System Board
<b>601</b>	1. <b>Diskette Drive A</b> 2. Diskette Drive Cable 3. System Board 4. Riser card
<b>602</b>	1. <b>Bad Diskette?</b> 2. Verify Diskette and retry

POST Error Code	FRU/Action
<b>604</b> And able to run diagnostics	<ol style="list-style-type: none"> <li>1. <b>Run Setup and verify diskette configuration settings</b></li> <li>2. Diskette Drive A/B</li> <li>3. Diskette Drive Cable</li> <li>4. System Board</li> <li>5. Riser card</li> </ol>
<b>605</b> POST cannot unlock the diskette drive	<ol style="list-style-type: none"> <li>1. <b>Diskette Drive</b></li> <li>2. Diskette Drive Cable</li> <li>3. System Board</li> <li>4. Riser card</li> </ol>
<b>662</b>	<ol style="list-style-type: none"> <li>1. <b>Diskette drive configuration error or wrong diskette drive type. Run Setup Configuration</b></li> </ol>
<b>6XX</b> Not listed above	<ol style="list-style-type: none"> <li>1. <b>Diskette Drive</b></li> <li>2. System Board</li> <li>3. Riser card</li> <li>4. External Drive Adapter</li> <li>5. Diskette Drive Cable</li> <li>6. Power Supply</li> </ol>
<b>762</b> Math coprocessor configuration error	<ol style="list-style-type: none"> <li>1. <b>Run Setup</b></li> <li>2. Processor</li> <li>3. System Board</li> </ol>
<b>7XX</b> Not listed above	<ol style="list-style-type: none"> <li>1. <b>Processor</b></li> <li>2. System Board</li> </ol>
<b>962</b> Parallel port configuration error	<ol style="list-style-type: none"> <li>1. <b>Run Configuration</b></li> <li>2. Parallel Adapter (if installed)</li> <li>3. System Board</li> </ol>
<b>9XX</b>	<ol style="list-style-type: none"> <li>1. <b>Printer</b></li> <li>2. System Board</li> </ol>
<b>1047</b>	<ol style="list-style-type: none"> <li>1. <b>16-Bit AT™ Fast SCSI Adapter</b></li> </ol>
<b>107X</b> Check SCSI terminator installation	<ol style="list-style-type: none"> <li>1. <b>Check SCSI terminator installation</b></li> <li>2. SCSI Cable</li> <li>3. SCSI Terminator</li> <li>4. SCSI Device</li> <li>5. SCSI Adapter</li> </ol>
<b>1101</b> Serial connector error, possible system board failure	<ol style="list-style-type: none"> <li>1. <b>Run diagnostics</b></li> </ol>
<b>1101, 1102, 1106, 1108, 1109</b>	<ol style="list-style-type: none"> <li>1. <b>System Board</b></li> <li>2. Any Serial Device</li> </ol>
<b>1107</b>	<ol style="list-style-type: none"> <li>1. <b>Communications Cable</b></li> <li>2. System Board</li> </ol>

<b>POST Error Code</b>	<b>FRU/Action</b>
<b>1102</b> Card selected feedback error	1. <b>Run diagnostics</b>
<b>1103</b> Port fails register check	1. <b>Run diagnostics</b> 2. System Board
<b>1106</b> Serial option cannot be turned off	1. <b>Run diagnostics</b> 2. System Board
<b>1107</b>	1. <b>Serial Device Cable</b> 2. System Board
<b>1110</b> Register test failed	1. <b>Run diagnostics</b> 2. System Board
<b>1116</b> Interrupt error	1. <b>Run diagnostics</b>
<b>1117</b> Failed baud rate test	1. <b>Run diagnostics</b>
<b>1162</b> Serial port configuration error	1. <b>Run Configuration</b> 2. Serial Adapter (if installed) 3. System Board
<b>11XX</b> Not listed above	1. <b>System Board</b>
<b>1201</b>	1. <b>System Board</b> 2. Any Serial Device
<b>1202, 1206, 1208, 1209, 12XX</b>	1. <b>Dual Async Adapter/A</b> 2. System Board 3. Any Serial Device
<b>1207</b>	1. <b>Communications Cable</b> 2. Dual Async Adapter/A
<b>13XX</b>	1. <b>Game Adapter</b>
<b>1402</b> Printer not ready	Information only
<b>1403</b> No paper error, or interrupt failure	Information only
<b>1404</b> System board timeout failure	1. <b>Run diagnostics</b>
<b>1405</b> Parallel adapter error	1. <b>Run diagnostics</b>
<b>1406</b> Presence test error	1. <b>Run diagnostics</b>
<b>14XX</b> Not listed above. Check printer before replacing system board	1. <b>Printer</b> 2. System Board
<b>15XX</b>	1. <b>SDLC Adapter</b>
<b>1692</b> Boot sequence error	1. <b>Run FDISK to ensure at least one active partition is set active</b>

POST Error Code	FRU/Action
16XX	1. <b>36/38 Workstation Adapter</b>
1762 Hard disk drive configuration error	1. <b>Run Configuration.</b> (See "Setup Utility program" on page 7.)
1780 (Disk Drive 0) 1781 (Disk Drive 1) 1782 (Disk Drive 2) 1783 (Disk Drive 3)	1. <b>See "Power supply" on page 33.</b> 2. Hard Disk Drive 3. System Board 4. Riser card 5. Hard Disk Cable 6. Power Supply
180X, 188X PCI configuration or resource error	1. <b>Run Setup and verify PCI/ISA configuration settings.</b> 2. If necessary, set ISA adapters to <i>Not available</i> to allow PCI adapters to properly configure. 3. Remove any suspect ISA adapters. 4. Rerun diagnostics. 5. PCI Adapter
1962 Boot sequence error	1. <b>Possible hard disk drive problem; see "Hard disk drive boot error" on page 38.</b>
209X	1. <b>Diskette Drive</b> 2. Diskette Cable
20XX Not listed above	1. <b>BSC Adapter</b>
21XX	1. <b>SCSI Device</b> 2. 16-bit AT Fast SCSIU adapter 3. Alternate BSC adapter
2401, 2402 If screen colors change	1. <b>Display</b>
2401, 2402 If screen colors are OK	1. <b>System Board</b> 2. Display
2409	1. <b>Display</b>
2410	1. <b>System Board</b> 2. Display
2462 Video memory configuration error	1. <b>Check cable connections</b> 2. Run Setup and verify video configuration settings 3. Video Memory Modules 4. Video Adapter (if installed) 5. System Board
4611, 4630	1. <b>Multiport/2 Interface Board</b> 2. Multiport/2 Adapter

POST Error Code	FRU/Action
4612, 4613, 4640, 4641	<ol style="list-style-type: none"> <li>1. <b>Memory Module Package</b></li> <li>2. Multiport/2 Adapter</li> </ol>
4650	<ol style="list-style-type: none"> <li>1. <b>Multiport/2 Interface Cable</b></li> </ol>
46XX Not listed above	<ol style="list-style-type: none"> <li>1. <b>Multiport/2 Adapter</b></li> <li>2. Multiport/2 Interface Board</li> <li>3. Memory Module</li> </ol>
5600	<ol style="list-style-type: none"> <li>1. <b>Financial System Controller Adapter</b></li> </ol>
5962 An IDE device (other than hard drive) configuration error	<ol style="list-style-type: none"> <li>1. <b>Run Configuration</b></li> <li>2. CD-ROM Drive</li> <li>3. CD-ROM Adapter</li> <li>4. Zip or other ATAPI device</li> <li>5. System Board</li> <li>6. Riser card</li> </ol>
62XX	<ol style="list-style-type: none"> <li>1. <b>1st Store Loop Adapter</b></li> <li>2. Adapter Cable</li> </ol>
63XX	<ol style="list-style-type: none"> <li>1. <b>2nd Store Loop Adapter</b></li> <li>2. Adapter Cable</li> </ol>
64XX	<ol style="list-style-type: none"> <li>1. <b>Network Adapter</b></li> </ol>
71XX	<ol style="list-style-type: none"> <li>1. <b>Voice Adapter</b></li> </ol>
74XX	<ol style="list-style-type: none"> <li>1. <b>Video Adapter (if installed)</b></li> </ol>
76XX	<ol style="list-style-type: none"> <li>1. <b>Page Printer Adapter</b></li> </ol>
78XX	<ol style="list-style-type: none"> <li>1. <b>High Speed Adapter</b></li> </ol>
79XX	<ol style="list-style-type: none"> <li>1. <b>3117 Adapter</b></li> </ol>
80XX	<ol style="list-style-type: none"> <li>1. <b>PCMCIA Adapter</b></li> </ol>
84XX	<ol style="list-style-type: none"> <li>1. <b>Speech Adapter</b></li> <li>2. Speech Control Assy.</li> </ol>
8601, 8602	<ol style="list-style-type: none"> <li>1. <b>Pointing Device (Mouse)</b></li> <li>2. System Board</li> </ol>
8603, 8604	<ol style="list-style-type: none"> <li>1. <b>System Board</b></li> <li>2. Pointing Device (Mouse)</li> </ol>
86XX Not listed above	<ol style="list-style-type: none"> <li>1. <b>Mouse</b></li> <li>2. System Board</li> </ol>
89XX	<ol style="list-style-type: none"> <li>1. <b>PC Music Adapter</b></li> <li>2. MIDI Adapter Unit</li> </ol>
91XX	<ol style="list-style-type: none"> <li>1. <b>Optical Drive</b></li> <li>2. Adapter</li> </ol>



POST Error Code	FRU/Action
96XX	<ol style="list-style-type: none"> <li>1. <b>SCSI Adapter</b></li> <li>2. Any SCSI Device</li> <li>3. System Board</li> <li>4. Riser card</li> </ol>
10101, 10102, 10104, 10105, 10106, 10107, 10108, 10109, 10111, 10112, 10113, 10114, 10115, 10116	<ol style="list-style-type: none"> <li>1. <b>Have customer verify correct operating system device drivers are installed and operational.</b></li> <li>2. Modem</li> </ol>
10103, 10110, 101171	<ol style="list-style-type: none"> <li>1. <b>System Board</b></li> <li>2. Data/Fax Modem</li> <li>3. Riser card</li> </ol>
10117 Not listed above	<ol style="list-style-type: none"> <li>1. <b>Check system speaker</b></li> <li>2. Check PSTN cable</li> <li>3. External DAA (if installed)</li> <li>4. Modem</li> </ol>
10118	<ol style="list-style-type: none"> <li>1. <b>Run diagnostics and verify the correct operation of the modem slot</b></li> <li>2. Modem</li> </ol>
10119	<ol style="list-style-type: none"> <li>1. <b>Diagnostics detected a non-IBM modem</b></li> <li>2. Modem</li> </ol>
10120	<ol style="list-style-type: none"> <li>1. <b>Check PSTN Cable</b></li> <li>2. External DAA (if installed)</li> <li>3. Modem</li> </ol>
10132, 10133, 10134, 10135, 10136, 10137, 10138, 10139, 10140, 10141, 10142, 10143, 10144, 10145, 10146, 10147, 10148, 10149, 10150, 10151, 10152	<ol style="list-style-type: none"> <li>1. <b>Modem</b></li> </ol>
10153	<ol style="list-style-type: none"> <li>1. <b>Data/Fax Modem</b></li> <li>2. System Board</li> <li>3. Riser card</li> </ol>
101XX Not listed above	<ol style="list-style-type: none"> <li>1. <b>Modem Adapter/A</b></li> <li>2. Data/Fax Modem</li> <li>3. System Board</li> <li>4. Riser card</li> </ol>
10450, 10451, 10490, 10491, 10492, 10499 Read/write error	<ol style="list-style-type: none"> <li>1. <b>Run diagnostics</b></li> <li>2. Hard Disk Drive</li> <li>3. System Board</li> <li>4. Riser card</li> </ol>
10452 Seek test error	<ol style="list-style-type: none"> <li>1. <b>Run diagnostics</b></li> </ol>

<b>POST Error Code</b>	<b>FRU/Action</b>
<b>10453</b> Wrong drive type?	Information only
<b>10454</b> Sector buffer test error	1. <b>Run diagnostics</b>
<b>10455, 10456</b> Controller error	1. <b>Run diagnostics</b>
<b>10459</b> Drive diagnostic command error	Information only
<b>10461</b> Drive format error	1. <b>Run diagnostics</b>
<b>10462</b> Controller seek error	1. <b>Run diagnostics</b>
<b>10464</b> Hard Drive read error	1. <b>Run diagnostics</b>
<b>10467</b> Drive non-fatal seek error	1. <b>Run diagnostics</b>
<b>10468</b> Drive fatal seek error	1. <b>Run diagnostics</b>
<b>10469</b> Drive soft error count exceeded	1. <b>Run diagnostics</b>
<b>10470, 10471, 10472</b> Controller wrap error	1. <b>Run diagnostics</b>
<b>10473</b> Corrupt data. Low level format might be required	Information only
<b>10480</b>	1. <b>Hard Disk Drive (ESDI)</b> 2. Drive Cable 3. System Board
<b>10481</b> ESDI drive D seek error	1. <b>Run diagnostics</b>
<b>10482</b> Drive select acknowledgement bad	1. <b>Run diagnostics</b>
<b>106X1</b>	1. <b>Check Configuration</b> 2. Ethernet Adapter
<b>10635</b>	1. <b>Power-off computer, wait ten seconds then power-on the computer</b> 2. Ethernet Adapter
<b>10651, 10660</b>	1. <b>Check Cables</b> 2. Ethernet Adapter
<b>106XX</b> Not listed above	1. <b>Ethernet Adapter</b>
<b>107XX</b>	1. <b>5.25-inch External Diskette Drive</b> 2. 5.25-inch Diskette Drive Adapter/A

<b>POST Error Code</b>	<b>FRU/Action</b>
<b>109XX</b> Check the adapter cables	<ol style="list-style-type: none"> <li>1. <b>ActionMedia Adapter/A</b></li> <li>2. System Board</li> <li>3. Riser card</li> </ol>
<b>112XX</b> This adapter does not have cache	<ol style="list-style-type: none"> <li>1. <b>SCSI Adapter</b></li> <li>2. Any SCSI Device</li> <li>3. System Board</li> <li>4. Riser card</li> </ol>
<b>119XX</b>	<ol style="list-style-type: none"> <li>1. <b>3119 Adapter</b></li> </ol>
<b>121XX</b>	<ol style="list-style-type: none"> <li>1. <b>Modem Adapter</b></li> <li>2. Any Serial Device</li> <li>3. System Board</li> <li>4. Riser card</li> </ol>
<b>136XX</b>	<ol style="list-style-type: none"> <li>1. <b>ISDN Primary Rate Adapter</b></li> <li>2. System Board</li> <li>3. Riser card</li> </ol>
<b>137XX</b>	<ol style="list-style-type: none"> <li>1. <b>System Board</b></li> </ol>
<b>141XX</b>	<ol style="list-style-type: none"> <li>1. <b>Realtime Interface Coprocessor Portmaster Adapter/A</b></li> </ol>
<b>143XX</b>	<ol style="list-style-type: none"> <li>1. <b>Japanese Display Adapter</b></li> <li>2. System Board</li> <li>3. Riser card</li> </ol>
<b>14710, 14711</b>	<ol style="list-style-type: none"> <li>1. <b>System Board Video Adapter</b></li> <li>2. Adapter Video Memory</li> </ol>
<b>148XX</b>	<ol style="list-style-type: none"> <li>1. <b>Video Adapter</b></li> </ol>
<b>14901, 14902, 1491X, 14922</b>	<ol style="list-style-type: none"> <li>1. <b>Video Adapter (if installed)</b></li> <li>2. System Board</li> <li>3. Riser card</li> <li>4. Display (any type)</li> </ol>
<b>14932</b>	<ol style="list-style-type: none"> <li>1. <b>External Display</b></li> <li>2. Video Adapter</li> </ol>
<b>161XX</b>	<ol style="list-style-type: none"> <li>1. <b>FaxConcentrator Adapter</b></li> </ol>
<b>164XX</b>	<ol style="list-style-type: none"> <li>1. <b>120 MB Internal Tape Drive</b></li> <li>2. Diskette Cable</li> <li>3. System Board</li> <li>4. Riser card</li> </ol>
<b>16500</b>	<ol style="list-style-type: none"> <li>1. <b>6157 Tape Attachment</b></li> <li>2. Adapter</li> </ol>

POST Error Code	FRU/Action
16520, 16540	<ol style="list-style-type: none"> <li>1. 6157 Streaming Tape Drive</li> <li>2. 6157 Tape Attachment Adapter</li> </ol>
166XX, 167XX	<ol style="list-style-type: none"> <li>1. Token Ring Adapter</li> <li>2. System Board</li> <li>3. Riser card</li> </ol>
18001 to 18029	<ol style="list-style-type: none"> <li>1. Wizard Adapter</li> <li>2. Wizard Adapter Memory</li> </ol>
18031 to 18039	<ol style="list-style-type: none"> <li>1. Wizard Adapter Cable</li> </ol>
185XXXX	<ol style="list-style-type: none"> <li>1. DBCS Japanese Display Adapter/A</li> <li>2. System Board</li> <li>3. Riser card</li> </ol>
20001 to 20003	<ol style="list-style-type: none"> <li>1. Image Adapter/A Image-I Adapter/A</li> <li>2. Memory Module DRAM, VRAM</li> </ol>
20004	<ol style="list-style-type: none"> <li>1. Memory Module DRAM, VRAM</li> <li>2. Image Adapter/A Image-I Adapter/A</li> </ol>
20005 to 20010	<ol style="list-style-type: none"> <li>1. Image Adapter/A Image-I Adapter/A</li> <li>2. Memory Module DRAM, VRAM</li> </ol>
200XX Not listed above	<ol style="list-style-type: none"> <li>1. Image Adapter/A</li> <li>2. Image-I Adapter/A</li> <li>3. Memory Module DRAM, VRAM</li> <li>4. System Board</li> <li>5. Riser card</li> </ol>
20101 to 20103	<ol style="list-style-type: none"> <li>1. Printer/Scanner Option</li> <li>2. Image Adapter/A</li> <li>3. Memory Module DRAM, VRAM</li> </ol>
20104	<ol style="list-style-type: none"> <li>1. Memory Module DRAM, VRAM</li> <li>2. Printer/Scanner Option</li> <li>3. Image Adapter/A</li> </ol>
20105 to 20110	<ol style="list-style-type: none"> <li>1. Printer/Scanner Option</li> <li>2. Image Adapter/A</li> <li>3. Memory Module DRAM, VRAM</li> </ol>
Image Adapter/A Memory Test failure indicated by graphic of adapter	<ol style="list-style-type: none"> <li>1. Replace memory module (shown in graphic)</li> </ol>
206XX	<ol style="list-style-type: none"> <li>1. SCSI-2 Adapter</li> <li>2. Any SCSI Device</li> <li>3. System Board</li> <li>4. Riser card</li> </ol>

<b>POST Error Code</b>	<b>FRU/Action</b>
<b>208XX</b> Verify there are no duplicate SCSI ID settings on the same bus.	1. <b>Any SCSI Device</b>
<b>210XXXX</b> Internal bus, size unknown <b>210XXX1</b> External bus, size unknown	1. <b>SCSI Hard Disk Drive</b> 2. SCSI Adapter or System Board 3. SCSI Cable 4. SCSI ID Switch (on some models)
Tape Drive amber LED remains on	1. <b>Tape Drive</b> 2. SCSI Cable (internal) 3. SCSI Adapter or System Board
Tape Drive green "in use" LED fails to come on	1. <b>Tape Drive</b> 2. SCSI Adapter or System Board 3. SCSI Cable (internal) 4. SCSI Cable (external)
Tape automatically ejected from drive	1. <b>Tape Cassette Drive</b>
SCSI ID on rotary switch does not match SCSI ID set in configuration. Verify drive switches inside cover are set to zero	1. <b>Rotary Switch Circuit Board</b> 2. Circuit Board Cable 3. Tape Drive
Tape sticks or breaks in drive. Verify that the tapes used meet ANSI standard X3B5	1. <b>Tape Cassette</b>
<b>212XX</b>	1. <b>SCSI Printer</b> 2. Printer Cable
<b>213XX</b>	1. <b>SCSI Processor</b>
<b>214XX</b>	1. <b>WORM Drive</b>
<b>215XXXC, 215XXXD, 215XXXE, 215XXXU</b> If an external device, and power-on LED is off, check external voltages	1. <b>CD-ROM Drive I</b> 2. CD-ROM Drive II Enhanced CD-ROM Drive II Any CD-ROM Drive 3. SCSI Cable 4. SCSI Adapter or System Board
<b>216XX</b>	1. <b>Scanner</b>
<b>217XX</b> If an external device, and power-on LED is off, check external voltages	1. <b>Rewritable Optical Drive</b> 2. SCSI Adapter or System Board 3. SCSI Cable
<b>218XX</b> Check for multi CD tray or jukebox	1. <b>Changer</b>
<b>219XX</b>	1. <b>SCSI Communications Device</b>
<b>24201Y0, 24210Y0</b> Be sure wrap plug is attached	1. <b>ISDN/2 Adapter</b> 2. ISDN/2 Wrap Plug 3. ISDN/2 Communications Cable

POST Error Code	FRU/Action
273XX	<ol style="list-style-type: none"> <li>1. <b>1 Mbps Micro Channel</b></li> <li>2. Infrared LAN Adapter</li> </ol>
27501, 27503, 27506, 27507	<ol style="list-style-type: none"> <li>1. <b>ServerGuard Adapter</b></li> <li>2. System Board</li> <li>3. Riser card</li> </ol>
27502, 27504, 27510, 27511, 27533, 27534, 27536, 27537	<ol style="list-style-type: none"> <li>1. <b>ServerGuard Adapter</b></li> </ol>
27509	<ol style="list-style-type: none"> <li>1. <b>Remove redundant adapters, run Auto Configuration program, then retest.</b></li> </ol>
27512	<ol style="list-style-type: none"> <li>1. <b>WMSELF.DGS diagnostics file is missing</b></li> <li>2. WMSELF.DGS diagnostics file is incorrect</li> </ol>
27535	<ol style="list-style-type: none"> <li>1. <b>3V Lithium Backup Battery</b></li> <li>2. ServerGuard Adapter</li> </ol>
27554	<ol style="list-style-type: none"> <li>1. <b>Internal Temperature out of range</b></li> <li>2. ServerGuard Adapter</li> </ol>
27555, 27556	<ol style="list-style-type: none"> <li>1. <b>ServerGuard Adapter</b></li> <li>2. Power Supply</li> </ol>
27557	<ol style="list-style-type: none"> <li>1. <b>7.2V NiCad Main Battery Pack</b></li> <li>2. ServerGuard Adapter</li> </ol>
27558, 27559, 27560, 27561	<ol style="list-style-type: none"> <li>1. <b>PCMCIA Type II Modem</b></li> <li>2. ServerGuard Adapter</li> </ol>
27562	<ol style="list-style-type: none"> <li>1. <b>External Power Control not connected</b></li> <li>2. External Power Control</li> <li>3. ServerGuard Adapter</li> </ol>
27563, 27564	<ol style="list-style-type: none"> <li>1. <b>External Power Control</b></li> <li>2. ServerGuard Adapter</li> </ol>
275XX	<ol style="list-style-type: none"> <li>1. <b>Update diagnostic software</b></li> </ol>
27801 to 27879	<ol style="list-style-type: none"> <li>1. <b>Personal Dictation System</b></li> <li>2. Adapter</li> <li>3. System Board</li> </ol>
27880 to 27889	<ol style="list-style-type: none"> <li>1. <b>External FRU (Speaker, Microphone)</b></li> </ol>
999030X Hard disk reset failure	<ol style="list-style-type: none"> <li>1. <b>Possible hard disk drive problem; see "Hard disk drive boot error" on page 38.</b></li> </ol>

## Miscellaneous error messages

Message/Symptom	FRU/Action
CMOS Backup Battery inaccurate	<ol style="list-style-type: none"> <li>1. <b>CMOS Backup Battery</b> (see “Safety Information” on page 125)</li> <li>2. System Board</li> </ol>
Changing colors	<ol style="list-style-type: none"> <li>1. <b>Display</b></li> </ol>
Computer will <i>not</i> power-off. See “Power supply” on page 33.	<ol style="list-style-type: none"> <li>1. <b>Power Switch</b></li> <li>2. System Board</li> <li>3. Riser card</li> </ol>
Computer will <i>not</i> RPL from server	<ol style="list-style-type: none"> <li>1. <b>Ensure that network is in startup sequence as first device or first device after diskette</b></li> <li>2. Ensure that network adapter is enabled for RPL</li> <li>3. Network adapter (Advise network administrator of new MAC address)</li> </ol>
Computer will <i>not</i> Wake On LAN (if applicable)	<ol style="list-style-type: none"> <li>1. <b>Check power supply and signal cable connections to network adapter</b></li> <li>2. Ensure that the operating system settings are set to enable Wake on LAN</li> <li>3. Ensure Wake On LAN feature is enabled in Setup/Configuration (see “Setup Utility program” on page 7)</li> <li>4. Ensure network administrator is using correct MAC address</li> <li>5. Ensure no interrupt or I/O address conflicts</li> <li>6. Network adapter (advise network administrator of new MAC address)</li> </ol>
Dead computer. See “Power supply” on page 33.	<ol style="list-style-type: none"> <li>1. <b>Power Supply</b></li> <li>2. System Board</li> <li>3. Riser card</li> </ol>
Diskette drive in-use light remains on or does not light when drive is active.	<ol style="list-style-type: none"> <li>1. <b>Diskette Drive</b></li> <li>2. System Board</li> <li>3. Diskette Drive Cable</li> <li>4. Riser card</li> </ol>
Flashing cursor with an otherwise blank display.	<ol style="list-style-type: none"> <li>1. <b>System Board</b></li> <li>2. Primary Hard Disk Drive</li> <li>3. Hard Disk Drive Cable</li> <li>4. Riser card</li> </ol>
Incorrect memory size during POST	<ol style="list-style-type: none"> <li>1. <b>Run the Memory tests</b></li> <li>2. Memory Module</li> <li>3. System Board</li> </ol>

Message/Symptom	FRU/Action
"Insert a Diskette" icon appears with a known-good diagnostics diskette in the first 3.5-inch diskette drive.	<ol style="list-style-type: none"> <li>1. <b>System Board</b></li> <li>2. Diskette Drive Cable</li> <li>3. Riser card</li> <li>4. Network Adapter</li> </ol>
Intensity or color varies from left to right of characters and color bars	<ol style="list-style-type: none"> <li>1. <b>Display</b></li> <li>2. System Board</li> </ol>
No power or fan not running	1. <b>See "Power supply" on page 33.</b>
Non-system disk or disk error-type message with a known-good diagnostic diskette.	<ol style="list-style-type: none"> <li>1. <b>Diskette Drive</b></li> <li>2. System Board</li> <li>3. Diskette Drive Cable</li> <li>4. Riser card</li> </ol>
Other display symptoms not listed above (including blank or illegible display)	<ol style="list-style-type: none"> <li>1. <b>Display</b></li> <li>2. System Board</li> </ol>
Power-on indicator or hard disk drive in-use light not on, but computer works correctly	<ol style="list-style-type: none"> <li>1. <b>Power Supply</b></li> <li>2. System Board</li> <li>3. LED Cables</li> </ol>
Printer problems	1. <b>Printer</b>
Program loads from the hard disk with a known-good diagnostics diskette in the first 3.5-inch diskette drive	<ol style="list-style-type: none"> <li>1. <b>Run Setup</b></li> <li>2. Diskette Drive</li> <li>3. Diskette Drive Cable</li> <li>4. System Board</li> <li>5. Riser card</li> <li>6. Power Supply</li> </ol>
RPL computer cannot access programs from its own hard disk.	<ol style="list-style-type: none"> <li>1. <b>If network administrator is using LCCM Hybrid RPL, check startup sequence:</b> <ol style="list-style-type: none"> <li>a. <b>First device - network</b></li> <li>b. <b>Second device - hard disk</b></li> </ol> </li> <li>2. Hard disk drive</li> </ol>
RPL computer does not RPL from server	<ol style="list-style-type: none"> <li>1. <b>Check startup sequence</b></li> <li>2. Check the network adapter LED status</li> </ol>
Serial or parallel port device failure (system board port)	<ol style="list-style-type: none"> <li>1. <b>External Device Self-Test OK?</b></li> <li>2. External Device</li> <li>3. Cable</li> <li>4. System Board</li> </ol>
Serial or parallel port device failure (adapter port)	<ol style="list-style-type: none"> <li>1. <b>External Device Self-Test OK?</b></li> <li>2. External Device</li> <li>3. Cable</li> <li>4. Alternate Adapter</li> <li>5. System Board</li> </ol>



Message/Symptom	FRU/Action
Some or all keys on the keyboard do not work	<ol style="list-style-type: none"> <li>1. <b>Keyboard</b></li> <li>2. Keyboard Cable</li> <li>3. System Board</li> </ol>

---

## Undetermined problems

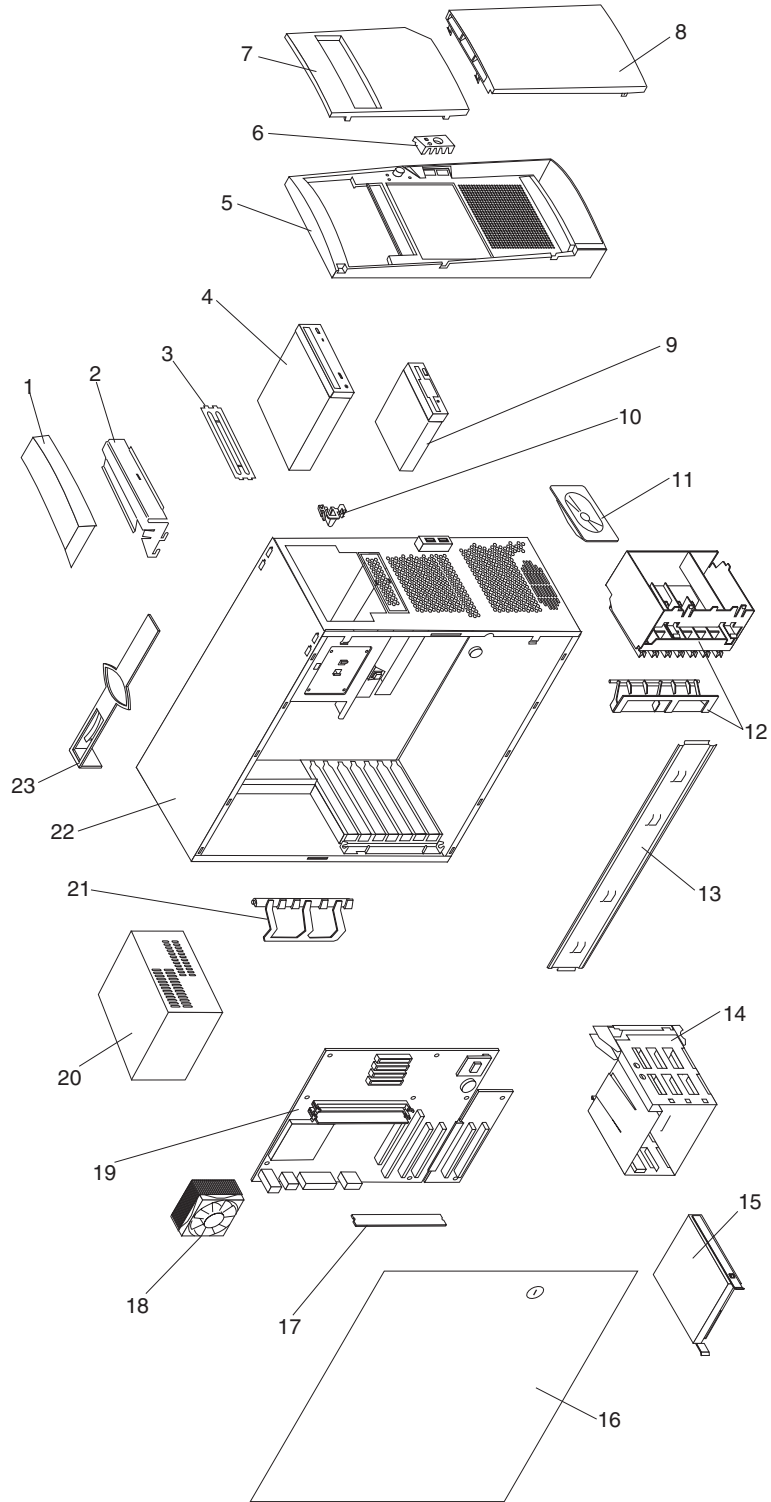
Check the power supply voltages (see “Power supply” on page 33). If the voltages are correct, return here and continue with the following steps.

1. Power-off the computer.
2. Remove or disconnect the following components (if installed) one at a time.
  - a. Non-IBM devices
  - b. External devices (modem, printer, or mouse)
  - c. Any adapters
  - d. Riser card
  - e. Memory modules  
Before removing or replacing memory modules, see “System board memory” on page 30.
  - f. Extended video memory
  - g. External Cache
  - h. External Cache RAM
  - i. Hard disk drive
  - j. Diskette drive
3. Power-on the computer to re-test the system.
4. Repeat steps 1 through 3 until you find the failing device or adapter.

If all devices and adapters have been removed, and the problem continues, replace the system board (see “Replacing a system board” on page 31).



# Chapter 7. Parts



## Parts listing

The parts listing supports the following models: xxU, xxS, xxP, xxC, xxD, xxM, xxV, xxF, xxS, xxG, xxT.

Index	System (types 2271/6840/6841)	FRU No.
1	Cap Handle Kit (all)	19K4934
2	Support Handle (all)	19K4936
3	Bezel Blanks Kit (all)	19K4938
4	CD-ROM Drive - Read/Write (2271 - EAx, ECx, GBx, GCx, TAx, TBx) (6840/6841 - none)	09N0897
4	CD-ROM Drive - 48x (6840 - CAx, EAx, GAx, DTG, TAx, VAU, VAA, VAT, VBU, VBF, VBA, VBT, VCC, VCM, VCV, VCD) (6841 - EAx, GAx, TAx, VAU, VCJ)	19K1529
4	12X DVD (2271 - EBx, ECx, GAx, GCx, TAx, TBx)	09N0905
4	CD-ROM Drive - 48x (2271 - none) (6840 - CAx, EAx, GAx, DTG, TAx) (6841 - EAx, GAx, TAx)	09N0735
5	Front Bezel Assembly (all)	19K4937
6	Power Button Kit (all)	19K4940
7	Bezel Door (all)	24P9090
7	Bezel Door (all)	19K4939
8	Panel with icon (all)	19K4941
9	3.5" 1.44MB Diskette Drive (2271- all)	75H9550
9	3.5" 1.44MB Diskette Drive (Primary)	10L6097
9	3.5" 1.44MB Diskette Drive (Optional)	93F2361
9	3.5" 1.44MB Diskette Drive - Japan (6841 - all)	41H7675
9	3.5" 1.44MB Diskette Drive - Japan	75H9552
9	3.5" 1.44MB Diskette Drive - Japan (6840 - all)	06P5293
10	Control Panel Assembly (all)	19K4935
11	Speaker Assembly (2271 - none) (6840/6841 - all)	19K4929
12	Card Guide Assembly (all)	19K4947
13	Support Bracket (all)	19K4944
14	DASD Rotating Cage Assembly (all)	19K4931
15	20GB Hardfile EIDE 5400 rpm (2271 - EAx, EBx, ECx) (6840 - CAx, EAx, DTG) (6841 - EAx)	19K1560
15	30GB Hardfile EIDE 7200 rpm (2271 - GAx, GBx, GCx, TAx, TBx) (6840 - GAx, TAx, VAU, VAA, VAT, VBU, VBF, VBA, VBT) (6841 - GAx, TAx, VAU, VCJ)	19K1567
15	40GB Hardfile EIDE 7200 rpm (6840 - VCC, VCM, VCV, VCD)	19K1568
16	Door Without Latch Opening (all)	19K4932
17	Memory 128MB SDRAM (2271 - all) (6840 - CAx, EAx, GAx, DTG, P2U, R2U, TAx, T2U, VBU, VBF, VBA, VBT, VCC, VCM, VCV, VCD) (6841 - EAx, GAx, TAx, T2U)	33L3074

<b>Index</b>	<b>System (types 2271/6840/6841)</b>	<b>FRU No.</b>
17	Memory 128MB SDRAM (2271 - none) (6840 - VAU, VAA, VAT) (6841 - VAU, VCJ)	33L3076
18	Fan Sink, non-IHS, 533 - 866 MHz (2271 - EAx, EBx, ECx, E2U) (6840 - CAx, C1U, EAx, E1U, DTG, P2U) (6841 - EAx, E1U)	10K1689
18	Fan Sink, non-IHS, 900 - 933 (2271 - GAx, GBx, GCx, G2U, TAx) (6840 - GAx, G1U, R2U) (6841 - GAx, G1U)	06P2458
18	Fan Sink, non-IHS, 1 GHz (2271 - TBx, T2U) (6840 - TAx, T2U, VAU, VAA, VAT, VBU, VBF, VBA, VBT, VCC, VCM, VCV, VCD) (6841 - TAx, T2U, VAU, VCJ)	22P2457
18	Fan Sink, IHS, 866 - 1.10 GHz (2271 - GAx, GBx, GCx, G2U, TAx, TBx, T2U) (6840 - GAx, G1U, R2U, TAx, T2U, VAU, VAA, VAT, VBU, VBF, VBA, VBT, VCC, VCM, VCV, VCD) (6841 - GAx, G1U, TAx, T2U, VAU, VCJ)	22P4370
18	PIII Coppermine 800MHz (6840 - CAx, C1U, DTG)	19K7535
18	PIII Coppermine 800MHz (100 Bus/800MHz/128Kb L2 Cache) "DO" STEP LEVEL Flip Chip with Fansink 19K7160 (Note: PRIME P/N TO 25P0834) (6840 - CAx, C1U, DTG)	24P5784
18	PIII Coppermine 800MHz (100 Bus/800MHz/128Kb L2 Cache) "CO" STEP LEVEL Flip Chip with Fansink 19K7160 (Note: OPTIONAL P/N TO 24P5784) (6840 - CAx, C1U, DTG)	25P0834
18	PIII Coppermine 866MHz (2271 - EAx, EBx, ECx, E2U) (6840 - EAx, E1U, P2U) (6841 - EAx, E1U)	19K7536
18	PIII Coppermine 933MHz (2271 - GAx, GBx, GCx, G2U, TAx) (6840 - GAx, G1U, R2U) (6841 - GAx, G1U)	19K7537
18	PIII Coppermine 1 GHz PROCESSOR (2271 - TBx, T2U) (6840 - TAx, T2U, VAU, VAA, VAT, VBU, VBF, VBA, VBT, VCC, VCM, VCV, VCD) (6841 - TAx, T2U, VAU, VCJ)	24P9479
19	SYST BD W/O MEM/PROC MERLOT W/O POV Card (2271/6840/6841- all)	09K9982
19	System Board Merlot W/POV Card (2271/6840 - none) (6841 - all)	10K1195
19	PCI Extender Card (all)	10K0880
20	200W Power Supply (all)	00N7704
20	200W Power Supply - Japan (2271 - ECG, GCG, TAG, TBG) (6840 - CAG, DTG, TAG) (6841 - EAJ, GAJ, GAG, TAG, VCJ)	00N7727
20	200W Power Supply - China (6840 - CAC, EAC, GAC, TAC, VCC)	00N7728
21	Card I/O Edge Retainer (all)	19K4945
22	Cover Assembly, Side & Top (all)	19K4933

<b>Index</b>	<b>System (types 2271/6840/6841)</b>	<b>FRU No.</b>
23	Bezel Release Bar (all)	19K4946
	Chassis Assembly (all)	19K4930
	Side Panel With Nameplate (all)	19K4942
	Speakers (2271 - all)	10K2601
	(6840/6841 - none)	
	Speaker Brick - GB/UK (2271 - ECG, GCG, TAG, TBG)	25P5703
	(6840/6841 - none)	
	Speaker Brick - US/Taiwan/Canada (2271 - ECU, GCU, E2U, G2U, T2U)	10K2587
	(6840/6841 - none)	
	Speaker Brick - GB/UK (2271 - ECG, GCG, TAG, TBG)	10K2589
	Speaker Brick - EMEA (2271 - ECG, GCG, TAG, TBG)	25P5704
	(6840/6841 - none)	
	Speaker Brick - EMEA (2271 - ECG, GCG, TAG, TBG)	10K2591
	(6840/6841 - none)	
	EMC Planar Shield (all)	09N5770
	Lock Assembly (all)	22P1483
	Foot Kit (all)	12J4506
	Snap-In Foot (all)	01N2196
	RFID Antenna (all)	03K9654
	C2 Switch Assembly (all)	09K9827
	DASD Rail Kit (all)	19K5331
	Matrox G200LE Video Adapter (6840 - DTG)	06P3769
	NVidia P09/32MB Video Adapter (2271 - GAx, GBx, GCx)	09N5033
	(6840 - GAx, TAx, VCC, VCM, VCV, VCD)	
	(6841 - GAx, TAx, VCJ)	
	NVidia AGP4/16MB Video Adapter (2271 - none)	19K5340
	(6840/6841 - EAx)	
	ATI Radeon 32MB Video Adapter (Card) (6840 - C1U)	22P1063
	ATI Radeon 32MB Video Adapter (Card) (2271 - TBG)	06P7133
	ATI Audio/Video Cable Assemblies (2271 - TBx)	06P7131
	(6840 - C1U)	
	NV11 32MB Video Card with TV Out (2271 - TAx)	22P1069
	Video Card 4xAGP Dongle (2271 - all)	37L5566
	(6840/6841 - all)	
	Cable Hardfile - ATA (all)	37L4525
	Cable Diskette Drive (all)	76H4228
	Mouse - 2 Button (2271 - E2U, G2U, T2U) (6840 - all)	10L6145
	(6841 - TAx ,T2U, VAU, VCJ)	
	Mouse - Scrollpoint (2271 - EAx, EBx, ECx, GAx, GBx, GCx, TAx, TBx)	28L1865
	(6841 - EAx, E1U, GAx, G1U)	
	Misc. Hardware Kit (all)	09N5764

Index	System (types 2271/6840/6841)	FRU No.
	Modem - Universal (2271 - all except ECU, GCU) (6840/6841 - none)	19K2963
	Modem - Domestic (2271 - ECU, GCU) (6840/6841 - none)	19K2965
	Cable Hardfile - ATA (2-Drop) (all)	37L5098
	Audio Cable (all)	75H9219
	CDROM Audio Cable (all)	09N1782
	Dual USB Cable (all)	22P1188
	PCI 10/100 Ethernet Adapter (6840 - DTG)	06P3797
	Roulette Ethernet Adapter (2271 - TBx) (6840 - GAx, TAx, VAU, VAA, VAT, VBU, VBF, VBA, VBT, VCC, VCM, VCV, VCD) (6841 - EAx, GAx, TAx, VAU, VCJ)	19K4885
	Lithium Battery (all)	33F8354
	EMC Shield For 5.25" Bay (all)	19K5548
	EMC Shield For 3.5" Bay (all)	19K4943
	NVidia AGP4/32MB Video Adapter (2271 - EAx, EBx, ECx)	10K1291
	CABLE HARDFILE - ATA	37L4525

---

## Keyboards (PCNext Lite Pearl White)

US English	37L2514
French Canadian 058	37L0912
French Canadian 044	37L2515
LA/Spanish	37L2516
Brazil - Portugese	28L1826
Arabic	37L2518
Belgium - French	37L2519
Belgium - English	37L2520
Bulgarian	37L2521
Czech	37L2522
Danish	37L2523
Dutch	37L2524
French	37L2525
German	37L2526
Greek	37L2527
Hebrew	37L2528
Hungarian	37L2529
Italian	37L2531
Norwegian	37L2532
Polish	37L2533
Portugese	37L2534
Romanian	37L2535
Russian	37L2536
Serbian - Cyrrian	37L2537
Slovak	37L2538
Spanish	37L2539
Swedish/Finnish	37L2540
Swiss - French/German	37L2541

Turkish - ID 179	37L2542
Turkish - ID 440	37L2543
UK English	37L2544
Yugoslavian	37L2545
UK English (ISO)	37L2546
Japanese	37L2547
Chinese	37L2548
Korean	28L1860
Thai	37L2550



---

## Computer Power Cords

Arabic	14F0033
Australian	93F2365
Belgian	1339520
Bulgarian	1339520
Canadian	93F2364
Czech	1339520
Denmark	13F9997
Finland	1339520
France	1339520
German	1339520
Hungarian	1339520
Israel	14F0087
Italian	14F0069
Latin American	6952301
Netherlands	1339520
New Zealand	93F2365
Norwegian	1339520
Polish	1339520
Portuguese	1339520
Serbian	1339520
Slovakian	1339520
South African	14F0015
Spanish	1339520
Swiss	1339520
Swiss - French/German	14F0051
US English	93F2364
UK - Ireland	14F0033
Yugoslavian	1339520
Chile	14F0069
Argentina, Paraguay, & Uruguay	36L8880

---

## Recovery CDs - Machine Type 6840, 6841

ME AE Recovery CD	32P4235
ME AP Recovery CD	32P4225
ME BR Recovery CD	32P4231
ME CF Recovery CD	32P4230
ME CZ Recovery CD	32P4245
ME DK Recovery CD	32P4233
ME FI Recovery CD	32P4238
ME FR Recovery CD	32P4226
ME GK Recovery CD	32P4249
ME GR Recovery CD	32P4227
ME HB Recovery CD	32P4237
ME HU Recovery CD	32P4243
ME IT Recovery CD	32P4229
ME LA Recovery CD	32P4228
ME NL Recovery CD	32P4234
ME NO Recovery CD	32P4239
ME PL Recovery CD	32P4240
ME PO Recovery CD	32P4241
ME RU Recovery CD	32P4242

ME SK Recovery CD	32P4247
ME SL Recovery CD	32P4244
ME SP Recovery CD	32P4232
ME SV Recovery CD	32P4236
ME TH Recovery CD	32P4248
ME TR Recovery CD	32P4246
ME US Recovery CD	32P4223
ME UK Recovery CD	32P4224

---

## Recovery CDs Win 98 Machine - Type 6840, 6841

Win 98 SE AP Recovery CD	32P4274
Win 98 SE UK Recovery CD	32P4273
Win 98 SE US Recovery CD	32P4272

---

## Recovery CDs Win 2000 - Machine Type 6840, 6841

Win 2000 CNR AP Recovery CD	32P4254
Win 2000 SMB AP Recovery CD	32P4251
Win 2000 CNR BR Recovery CD	32P4261
Win 2000 CNR CF Recovery CD	32P4260
Win 2000 CNR DK Recovery CD	32P4263
Win 2000 CNR FI Recovery CD	32P4266
Win 2000 CNR FR Recovery CD	32P4256
Win 2000 CNR GR Recovery CD	32P4257
Win 2000 CNR HU Recovery CD	32P4269
Win 2000 CNR IT Recovery CD	32P4259
Win 2000 CNR LA (sp) Recovery CD	32P4258
Win 2000 CNR NL Recovery CD	32P4264
Win 2000 CNR NO Recovery CD	32P4267
Win 2000 CNR PL Recovery CD	32P4268
Win 2000 CNR RU Recovery CD	32P4270
Win 2000 CNR SP Recovery CD	32P4262
Win 2000 CNR SV Recovery CD	32P4265
Win 2000 CNR TH Recovery CD	32P4271
Win 2000 CNR UK Recovery CD	32P4255
Win 2000 SMB UK Recovery CD	32P4252
Win 2000 CNR US Recovery CD	32P4253
Win 2000 SMB US Recovery CD	32P4250

---

## Special tools

The following tools are required to service the computer models/types listed in this section of the service manual

- Volt-ohm meter, IBM P/N 73G5404
- Wrap Plug, IBM P/N 72X8546

---

## Chapter 8. Additional Service Information

Security features . . . . .	85	Power management . . . . .	89
Passwords . . . . .	85	Automatic configuration and power interface (ACPI) BIOS . . . . .	89
Power-on password . . . . .	85	Advanced Power Management . . . . .	89
Removing a power-on password . . . . .	85	Automatic Hardware Power Management features. . . . .	89
Administrator password . . . . .	86	Setting Automatic Hardware Power Management features. . . . .	90
Administrator password control . . . . .	86	Automatic Power-On features . . . . .	90
Operating system password . . . . .	86	Network settings . . . . .	90
Vital product data . . . . .	86	Flash over LAN (update POST/BIOS over network) . . . . .	91
Management Information Format (MIF) . . . . .	86	Wake on LAN . . . . .	91
Alert on LAN . . . . .	87		
BIOS levels . . . . .	87		
Flash (BIOS/VPD) update procedure . . . . .	88		
Flash recovery boot block jumper . . . . .	88		

---

### Security features

Security features in this section include the following:

- Passwords
- Vital Product Data
- Management Information Format (MIF)
- Alert on LAN

### Passwords

The following section provides information about computer hardware and software-related passwords.

- Power-on Password
- Administrator Password
- Operating System Password

Power-on and Administrator passwords are set in the Setup Utility program. See “Setup Utility program” on page 7 for information about running the Setup Utility.

#### Power-on password

A power-on password denies access to the computer by an unauthorized user when the computer is powered on. When a power-on password is active, the password prompt appears on the screen each time the computer is powered on. The computer starts after the proper password is entered.

#### Removing a power-on password

To service a computer with an active and unknown power-on password, power-off the computer and use the following procedure.

<b>Note:</b> On some models, this procedure will also remove the administrator password.
--

1. Unplug the power cord and remove the top cover.
2. Refer to “A40/A40P/A40i system board layout” on page 29 to find the recovery jumper.
3. Move the recovery jumper from **normal** to **clear**.
4. Power-on the computer. The system senses the change in the position and erases the password. *It is necessary to move the jumper back to the previous position.*

5. Remind the user to enter a new password when service is complete.

### **Administrator password**

The administrator password is used to restrict access to the Configuration/Setup Utility program. If the administrator password is activated, and you do not enter the administrator password, the configuration can be viewed but not changed.

#### **Note:**

Type 2271/6840/6841 computers have Enhanced Security Mode. If Enhanced Security mode is enabled and there is no password given, the computer will act as if Enhanced Security is disabled.

If Enhanced Security is Enabled and an administrator password is given, the administrator password must be entered to use the computer. If the administrator password is lost or forgotten, the system board in the computer must be replaced in order to regain access to the Configuration/Setup Utility program.

### **Administrator password control**

The Administrator password is set in the Setup Configuration. Refer to “Setup Utility program” on page 7.

### **Operating system password**

An operating system password is very similar to a power-on password and denies access to the computer by an unauthorized user when the password is activated. The computer is unusable until the password is entered and recognized by the computer.

## **Vital product data**

Each computer has a unique Vital Product Data (VPD) code stored in the nonvolatile memory on the system board. After you replace the system board, the VPD must be updated. To update the VPD, see “Flash (BIOS/VPD) update procedure” on page 88.

## **Management Information Format (MIF)**

Management Information Format (MIF) is a file used to maintain a list of the system unit serial number along with all serialized components (for example, system board, riser card, memory, and processor).

At the time of computer manufacture, the EPROM will be loaded with the serial numbers of the system and all major components. The customer will have access to the MIF file via the DMI MIF Browser that is installed with the preload and is also available on the SSCD that is provided with the system.

A company called Retain-a-Group is a central data warehouse offering serial number data management. Retain-a-Group acts as a focal point to law enforcement. The customer has the option to purchase serial number information and services from Retain-a-Group. It is the customer’s responsibility to maintain the MIF file and to inform Retain-a-Group of any changes to the file.

Some customers may request their servicers to assist them in maintaining the MIF file when serialized components are replaced during hardware service. This assistance is between the customer and the servicer. The servicer can use the DMI MIF Browser to update the MIF information in the EPROM. It is anticipated that some servicers might charge for this service.

To update the EPROM using the DMI MIF Browser, use the following procedure.

1. Click **Start** from the desktop, then **Programs**.
2. Select **IBM SystemView Agent**
3. Select the **Serial Number Information** icon
4. Click the plus sign to expand.
5. Select the component you want to view or edit.
6. Double click on the component you want to change.
7. Enter new data in the *Value* field, then click **Apply**.

## Alert on LAN

Alert on LAN provides notification of changes in the computer, even when the computer power is turned off. Working with DMI and Wake on LAN<sup>®</sup> technologies, Alert on LAN helps to manage and monitor the hardware and software features of the computer. Alert on LAN generates notifications to the server of these occurrences:

- Computer disconnected from the network
- Computer unplugged from the power outlet
- All POST errors
- Operating system or POST hang condition

Alert on LAN events are configured to be Enabled or Disabled from the LAN server only, and not from the computer. See the LAN administrator for configuration status information.

---

## BIOS levels

An incorrect level of BIOS can cause false error and unnecessary FRU replacement. Use the following information to determine the current level of BIOS installed in the computer, the latest BIOS available for the computer, and where to obtain the latest level of BIOS.

- Current Level BIOS information
  - Run the Configuration Utility to determine the level of BIOS installed.
- Sources for determining the latest level BIOS available
  1. IBM PC Company Home Page  
<http://www.ibm.com/pc/us/>
  2. PC PartnerInfo-Technical Database (CTSTIPS.NSF)
  3. HelpCenter<sup>®</sup>
  4. Levels 1 and 2 Support
  5. RETAIN<sup>®</sup>
- Sources for obtaining the latest level BIOS available
  1. IBM PC Company Home Page  
<http://www.ibm.com/pc/us/>
  2. PC PartnerInfo-Technical Database (CTSTIPS.NSF)
  3. HelpCenter
  4. Levels 1 and 2 Support

To update (flash) the BIOS, see “Flash (BIOS/VPD) update procedure” on page 88.

---

## Flash (BIOS/VPD) update procedure

**Attention:**

Refer to the information label located inside the system unit cover for any model-specific information.

1. Power-off the computer.
2. Insert the flash update diskette into drive A.
3. Power-on the computer.
4. When the Update Utility appears; select the country/keyboard, then press **Enter**.
5. If the computer serial number was previously recorded, the number is displayed with an option to update it. Press **Y** to update the serial number.
6. Type the 7-digit serial number of the computer you are servicing, then press **Enter**.
7. Follow the instructions on the screen to complete the flash (BIOS/VPD) update procedure.

---

## Flash recovery boot block jumper

**Attention:**

If an interruption occurs during a Flash/BIOS upgrade, the BIOS might be left in an unusable state. The Boot Block jumper enables you to restart the system and recover the BIOS.

To perform a Flash/BIOS recovery using the recovery jumper, use the following procedure.

1. Power-off the computer and remove the cover.
2. Move the system board recovery jumper to the **clear** position. Refer to "A40/A40P/A40i system board layout" on page 29 or the label inside the computer for more information.
3. Insert the upgrade diskette into the diskette drive.
4. Power-on the computer. The IBM Logo will appear.
5. When the Flash Update Utility appears, select the country/keyboard, then press **Enter**.
6. If the computer serial number was previously recorded, the number is displayed with an option to update it. Press **Y** to update the serial number.
7. Type the 7-digit serial number of the computer you are servicing, then press **Enter**.
8. Follow the instructions on the screen to complete the flash (BIOS/VPD) update procedure.
9. When you are instructed to reboot the computer, power-off the computer and move the recovery jumper to the **normal** position. Then replace the cover and power-on the computer.

---

## Power management

Power management reduces the power consumption of certain components of the computer such as the system power supply, processor, hard disk drives, and some monitors. Advanced Power Management and Rapid Resume™ Manager are features of some personal computers.

### Automatic configuration and power interface (ACPI) BIOS

Being an ACPI BIOS system, the operating system is allowed to control the power management features of the computer and the setting for Advanced Power Management (APM) BIOS mode are ignored. Not all operating systems support ACPI BIOS mode.

### Advanced Power Management

Energy-saving settings can be viewed and changed by using the Advanced Power Management menu in the Configuration/Setup Utility program.

**Attention:**

If a device, such as a monitor, does not have power-management capabilities, it can be damaged when exposed to a reduced-power state. Before making energy-saving selections for the monitor, check the documentation supplied with the monitor to see if it supports Display Power Management Signaling (DPMS).

### Automatic Hardware Power Management features

Automatic Hardware Power Management can reduce the power states of the computer, processor, and monitor (if the monitor supports DPMS) if they are inactive for a predetermined length of time.

There are three levels of specified time that the computer must be inactive before the power management options that are selected take effect. Select the amount of time that is offered within each level.

<b>Level 1</b>	Set time from 5 minutes to 4 hours.
<b>Level 2</b>	Set time from 10 minutes to 5 hours.
<b>Level 3</b>	Set time from 15 minutes to 6 hours.

At each level, you can define the amount of energy savings by specifying values for the following options.

•

**System Power**

- Select **On** for the computer to remain on.
- Select **Off** for the computer to shut down.

•

**Processor Speed**

Set the microprocessor to be **disabled**, or to run at **1, 10, 25, or 50** percent of its internal clock speed.

•

**Display**

Set display to be disabled or to be reduced at these power states:

- **Standby:** Screen is blank, but can be restored immediately when any activity is detected.
- **Suspend:** Monitor uses less power than in Standby mode. Screen image is restored after a few seconds when any activity is detected.
- **Off:** Monitor power is off. Press Monitor power button to restore power. On some monitors, you might have to depress the power button twice.

## Setting Automatic Hardware Power Management features

1. Start the Configuration/Setup Utility program (see “Setup Utility program” on page 7).
2. Select **Advanced Power Management** from the Configuration/Setup Utility program menu.
3. Select the **APM BIOS Mode** and be sure it is set to **Enabled**. If it is not, press Left Arrow (←) or Right Arrow (→) to change the setting.
4. Select **Automatic Hardware Power Management**.
5. Set **Automatic Hardware Power Management** to **Enabled**.
6. Select values for the three categories of power management (system power, processor speed, and display), as necessary.
7. Set **Hard Disk** to **Enabled** or **Disabled**.

**Note:** This does not apply to SCSI drives.

8. Press **Esc** twice to return to the Configuration/Setup Utility program menu.
9. Before you exit from the program, select **Save Settings** from the Configuration/Setup Utility program menu.
10. To exit from the Configuration/Setup Utility program, press **Esc** and follow the instructions on the screen.

## Automatic Power-On features

The Automatic Power-On features within the Power Management menu allow you to enable and disable features that turn on the computer automatically.

- **Serial Port A Ring Detect:** With this feature set to **Enabled** and an external modem connected to serial port (COM1), the computer will turn on automatically when a ring is detected on the modem.
- **PCI Modem Ring Detect:** With this feature set to **Enabled**, the computer will turn on automatically when a ring is detected on the internal modem.
- **PCI Wake Up:** This feature allow PCI cards that support this capability to wake the system.
- **Wake Up on Alarm:** You can specify a date and time at which the computer will be turned on automatically. This can be either a single event or a daily event.
- **Wake on LAN:** If the computer has a properly configured token-ring or Ethernet LAN adapter card that is Wake on LAN-enabled and there is remote network management software, you can use the IBM-developed Wake on LAN feature. When you set Wake on LAN to **Enabled**, the computer will turn on when it receives a specific signal from another computer on the local area network (LAN). For further information, see “Wake on LAN” on page 91.

---

## Network settings

This section applies only to computers that are linked to a network.



The Configuration/Setup Utility program includes settings that can be enabled and disabled to configure the network interface in the computer. These settings are the following:

- Flash over LAN (Update POST/BIOS over Network)
- Wake on LAN

## Flash over LAN (update POST/BIOS over network)

**Note:** For local Flash (BIOS/VPD) update, see “Flash (BIOS/VPD) update procedure” on page 88.

This setting is used to enable or disable the Flash over LAN feature. When the feature is enabled, the system programs, in the computer, can be updated remotely from a network server. If the administrator password is set in the computer, it does not have to be entered by the server.

To access the Flash over LAN setting, use the following procedure.

1. Start the Configuration/Setup Utility program. See “Setup Utility program” on page 7.
2. Select **System Security**.
3. Select **POST/BIOS Update** from the Configuration/Setup Utility program menu.
4. To enable Flash over LAN, select **Enabled**. To disable Flash over LAN, select **Disabled**.
5. Press **Esc** twice to return to the Configuration/Setup Utility program menu.
6. Before you exit from the program, select **Save Settings** from the Configuration/Setup Utility program menu.
7. To exit from the Configuration/Setup Utility program, press **Esc** and follow the instructions on the screen.

## Wake on LAN

This setting is used to enable or disable the IBM-developed Wake on LAN feature. This feature makes it possible for the computer to be turned on remotely by a network server. Remote network management software must be used in conjunction with this feature.

To access the Wake on LAN setting, use the following procedure.

1. Start the Configuration/Setup Utility program. See “Setup Utility program” on page 7.
2. Select **Advanced Power Management**.
3. Select **Automatic Power On** from the program menu.
4. Select **Wake on LAN** from the *Automatic Power On* menu.
5. To enable Wake on LAN, select **Enabled**. To disable Wake on LAN, select **Disabled**.
6. Press **Esc** until you return to the Configuration/Setup Utility program menu.
7. Before you exit from the program, select **Save Settings** from the Configuration/Setup Utility program menu.
8. To exit from the Configuration/Setup Utility program, press **Esc** and follow the instructions on the screen.



---

## Chapter 9. About this manual

This manual contains service and reference information for the IBM® NetVista™ Series computer types 2271/6840/6841.

This manual is divided into product service sections (by machine chassis) and a related service section, as follows:

- The product service sections include procedures for isolating problems to a FRU, a Symptom-to-FRU Index, additional service information and an illustrated parts catalog.
- The related service section includes safety notices and safety information, and problem determination tips.

**Note:**

This manual is intended for trained servicers who are familiar with IBM Personal Computer products. Use this manual along with advanced diagnostic tests to troubleshoot problems effectively.

Before servicing an IBM product, be sure to review the "Safety notices (multi-lingual translations)" on page 95 and "Safety Information" on page 125.

---

## Important Safety Information

Be sure to read all caution and danger statements in this book before performing any of the instructions.

Prenez connaissance de toutes les consignes de type Attention et Danger avant de procéder aux opérations décrites par les instructions.

Lesen Sie alle Sicherheitshinweise, bevor Sie eine Anweisung ausführen.

---

### 주의 및 위험 경고문(한글)

**중요:**

이 책에 나오는 모든 주의 및 위험 경고문은 번호로 시작됩니다. 이 번호는 *Safety Information* 책에 나오는 영문판 주의 및 위험 경고문과 한글판 주의 및 위험 경고문을 상호 참조하는데 사용됩니다.

예를 들어 주의 경고문이 번호 1로 시작되면 *Safety Information* 책에서 이 주의 경고문은 경고문 1번 아래에 나옵니다.

지시를 따라 수행하기 전에 먼저 모든 주의 및 위험 경고문을 읽도록 하십시오.

Accertarsi di leggere tutti gli avvisi di attenzione e di pericolo prima di effettuare qualsiasi operazione.

Leia todas as instruções de cuidado e perigo antes de executar qualquer operação.

Lea atentamente todas las declaraciones de precaución y peligro ante de llevar a cabo cualquier operación.

---

## 注意和危險声明 (简体中文)

### 重要事項：

本书中的所有注意和危險声明之前都有编号。该编号用于英语的注意或危險声明与 *Safety Information* 一书中可以找到的翻译版本的注意或危險声明进行交叉引用。

例如，如果一个注意声明以编号 1 开始，那么对该注意声明的翻译出现在 *Safety Information* 一书中的声明 1 中。

在按说明执行任何操作前，请务必阅读所有注意和危險声明。

---

## 注意及危險聲明 (中文)

### 重要資訊：

本書中所有「注意」及「危險」的聲明均以數字開始。此一數字是用來作為交互參考之用，英文「注意」或「危險」聲明可在「安全資訊」(Safety Information) 一書中找到相同內容的「注意」或「危險」聲明的譯文。

例如，有一「危險」聲明以數字 1 開始，則該「危險」聲明的譯文將出現在「安全資訊」(Safety Information) 一書的「聲明」1 中。

執行任何指示之前，請詳讀所有「注意」及「危險」的聲明。

---

## Chapter 10. Related Service Information

Safety notices (multi-lingual translations) . . . . .	95	Software considerations . . . . .	130
Safety Information. . . . .	125	BIOS . . . . .	130
General Safety . . . . .	125	Drivers . . . . .	130
Grounding requirements . . . . .	125	Hardware considerations . . . . .	131
Electrical safety. . . . .	125	System resource conflicts . . . . .	132
Handling electrostatic discharge-sensitive devices . . . . .	127	Miscellaneous Information . . . . .	134
Safety inspection guide . . . . .	127	Acronyms, Abbreviations, and Terms . . . . .	134
Problem determination tips. . . . .	129	Send Us Your Comments! . . . . .	136
File updates . . . . .	129	Notices . . . . .	138
Adding adapters to the system . . . . .	130	Trademarks . . . . .	139

---

### Safety notices (multi-lingual translations)

The caution and danger safety notices in this section are provided in the following languages.

- English
- Portuguese (Brazil)
- Chinese
- French
- German
- Italian
- Korean
- Spanish



To Connect	To Disconnect
<ol style="list-style-type: none"><li>1. Turn Everything OFF.</li><li>2. First, attach all cables to devices.</li><li>3. Attach signal cables to receptacles</li><li>4. Attach power cord(s) to outlet.</li><li>5. Turn device ON.</li></ol>	<ol style="list-style-type: none"><li>1. Turn Everything OFF.</li><li>2. First, remove power cord(s) from outlet.</li><li>3. Remove signal cables from receptacles.</li><li>4. Remove all cables from devices.</li></ol>
<b>Note:</b> In the UK, by law, the telephone cable must be connected after the power cord.	<b>Note:</b> In the UK, the power cord must be disconnected after the telephone cable.



**CAUTION:**

When replacing the battery, use only IBM Part Number 33F8354 or an equivalent type battery recommended by the manufacturer. If your system has a module containing a lithium battery, replace it only with the same module type made by the same manufacturer.

The battery contains lithium and can explode if not properly used, handled, or disposed of.

Do not:

- Throw or immerse into water
- Heat to more than 100°C (212°F)
- Repair or disassemble

Dispose of the battery as required by local ordinances or regulations.



**CAUTION:**

When a CD-ROM drive is installed, note the following.

Use of controls or adjustments or performance of procedures other than those specified herein might result in hazardous radiation exposure.

Removing the covers of the CD-ROM drive could result in exposure to hazardous laser radiation. There are no serviceable parts inside the CD-ROM drive. Do not remove the CD-ROM drive covers.

**DANGER**

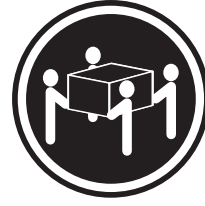
Some CD-ROM drives contain an embedded Class 3A or Class 3B laser diode. Note the following.

Laser radiation when open. Do not stare into the beam, do not view directly with optical instruments, and avoid direct exposure to the beam.





≥ 32 kg (70.5 lbs)



≥ 55 kg (121.2 lbs)

**CAUTION:**

Use safe lifting practices when lifting your machine.



**CAUTION:**

Electrical current from power, telephone, and communication cables can be hazardous. To avoid personal injury or equipment damage, disconnect the attached power cords, telecommunications systems, networks, and modems before you open the server covers, unless instructed otherwise in the installation and configuration procedures.

**PERIGO**

Para evitar choques elétricos, não conecte ou desconecte nenhum cabo, nem efetue instalação, manutenção ou reconfiguração deste produto durante uma tempestade com raios.

Para evitar choques elétricos:

- O cabo de alimentação deve ser conectado a um receptáculo corretamente instalado e aterrado.
- Todos os equipamentos aos quais este produto será conectado devem também ser conectados a receptáculos corretamente instalados.

Quando possível, utilize uma das mãos para conectar ou desconectar cabos de sinal, para evitar um possível choque ao tocar duas superfícies com potenciais elétricos diferentes.

A corrente elétrica proveniente de cabos de alimentação, de telefone e de comunicação é perigosa. Para evitar choques elétricos, conecte e desconecte os cabos conforme descrito a seguir, ao instalar, movimentar ou abrir tampas deste produto ou de dispositivos conectados.

<b>Para Conectar</b>	<b>Para Desconectar</b>
<ol style="list-style-type: none"><li>1. DESLIGUE tudo.</li><li>2. Conecte primeiro todos os cabos nos dispositivos.</li><li>3. Conecte os cabos de sinal nos receptáculos.</li><li>4. Conecte o(s) cabo(s) de alimentação nas tomadas.</li><li>5. LIGUE o dispositivo.</li></ol>	<ol style="list-style-type: none"><li>1. DESLIGUE tudo.</li><li>2. Remova primeiro o(s) cabo(s) de alimentação das tomadas.</li><li>3. Remova os cabos de sinal dos receptáculos.</li><li>4. Remova todos os cabos dos dispositivos.</li></ol>

**Cuidado:**

Ao substituir a bateria, utilize apenas o Número de Peça IBM 33F8354 ou um tipo de bateria equivalente recomendado pelo fabricante. Se seu sistema possuir um módulo com uma bateria de lítio, substitua-o apenas pelo mesmo tipo de módulo, produzido pelo mesmo fabricante. A bateria contém lítio e pode explodir se não for utilizada, manuseada e descartada de forma adequada.

*Não:*

- Jogue ou coloque na água
- Aqueça a mais de 100°C (212°F)
- Conserte nem desmonte.

Descarte a bateria conforme requerido pelas disposições e regulamentações locais.



**Cuidado:**

Quando uma unidade de CD-ROM estiver instalada, observe o seguinte.

A utilização de controles ou ajustes ou a execução de procedimentos diferentes daqueles especificados nesta publicação pode resultar em exposição perigosa à radiação.

A remoção das tampas da unidade de CD-ROM pode resultar em exposição a radiação perigosa de laser. Não existem peças que possam ser consertadas no interior da unidade de CD-ROM. Não remova as tampas da unidade de CD-ROM.

**PERIGO**

Algumas unidades de CD-ROM contêm um diodo de laser da Classe 3A ou da Classe 3B. Observe o seguinte.

Radiação de laser quando aberto. Não olhe diretamente para o feixe de laser, não olhe diretamente com instrumentos óticos, e evite exposição direta ao raio.



≥ 32 kg (70.5 lbs)



≥ 55 kg (121.2 lbs)

**Cuidado:**

Utilize práticas seguras para levantamento de peso ao levantar sua máquina.



**Cuidado:**

A corrente elétrica proveniente de cabos de alimentação, de telefone e de comunicação é perigosa. Para evitar ferimentos pessoais ou danos aos equipamentos, desconecte os cabos de alimentação, sistemas de telecomunicação, redes e modems antes de abrir as tampas do servidor, a menos que receba outras instruções nos procedimentos de instalação e configuração.

## 声明 1



### 危险!

为避免电击危险，请不要在暴风雨期间连接或断开任何电缆，或是进行此产品的安装、维护或重新配置操作。

为避免电击危险：

- 电源线必须连接到适当的电线及接地插座。
- 此产品将要连接的所有设备也必须连接到正确接线的插座上。

如果可能，请使用一只手连接或断开连接信号电缆，以避免在接触两个具有不同电势的表面时遭到电击。

电源线、电话线以及通信电缆中的电流非常危险。为避免电击，请在安装、移动或打开本产品或连接设备的外盖时，按照下述步骤连接或断开电缆。

#### 要连接电缆

1. 关闭所有设备。
2. 首先将所有电缆与设备连接。
3. 将信号线连接到插座。
4. 将电源线连接到电源插座。
5. 打开设备。

#### 要断开电缆

1. 关闭所有设备。
2. 首先从电源插座拔下电源线。
3. 从插座拔下信号电缆。
4. 从设备上拔下所有电缆。

## 声明 2



### 注意!

当更换电池时，仅可使用 IBM 部件号为 33F8354 的产品或由制造商推荐的同等电池。如果系统中有包含锂电池的模块，则只能使用由相同制造商制造的相同类型模块更换。该电池含有锂，如果使用、操作或处理不当会发生爆炸。

#### 不要：

- 将其投入或浸于水中
- 加热超过100°C (212°F)
- 修理或拆卸

应按照当地法规和条例对此电池进行处理。



### 声明 3



#### 注意！

在已安装 CD-ROM 驱动器的情况下，请注意下面的内容。

不遵循此处指定的控制、调整、或操作过程的操作将可能导致危险的辐射泄漏。

取下 CD-ROM 驱动器的外盖会导致危险的激光辐射泄漏。CD-ROM 驱动器内没有可以使用的部件。请不要取下 CD-ROM 驱动器的外盖。

### 声明 4

#### 危险！

一些 CD-ROM 驱动器中包含内置的 3A 类或 3B 类激光二极管。  
请注意下述内容。

打开驱动器会产生激光辐射。请不要凝视激光束，请不要使用光学仪器直接观看激光束，同时也要避免人体直接暴露在激光束下。

### 声明 5



32 kg (70.5 磅)



55 kg (121.2 磅)

#### 注意！

搬运机器时，请进行安全搬运操作。

### 声明 10



#### 注意！

电源线、电话线以及通信电缆中的电流非常危险。为避免人身伤害或设备损坏，除非在安装和配置过程中特别指明，请在打开服务器外盖前断开已连接的全部电源线、电信系统、网络及调制解调器。

• 聲明 1



危險

為了避免雷擊，在閃電期間，請勿連接或拔掉本裝置上的任何電纜線，或請勿安裝、維修或重新架構本產品。

為了避免雷擊：

- 電源線必須連接到接線及接地正確的插座。
- 本產品所連接的設備也必須連接到接線正確的插座。

儘可能使用單手來連接或拔掉信號電纜，以避免因接觸兩不同電位的平面，而受到電擊。

電源、電話及通信電纜上均有電流通過。為了避免電擊，在安裝、移動本產品，或開啓本產品的蓋子或與本產品連接之裝置的蓋子時，請依照下列「連接」及「拔掉」電纜線的步驟操作。

連接

1. 關掉所有開關。
2. 首先，將所有電纜線連接到裝置。
3. 將信號電纜連接到信號插座。
4. 將電源線連接到電源插座。
5. 開啓裝置電源。

拔掉

1. 關掉所有開關。
2. 首先，自電源插座拔掉電源線。
3. 拔掉信號插座上的所有信號電纜。
4. 拔掉裝置上的所有電纜線。

• 聲明 2



注意：

更換電池時，只可使用 IBM 零件編號 33F8354 的電池，或廠商建議的相當類型的電池。如您系統中的模組含有鋰電池，更換時，請使用相同廠商製造的相同模組類型。如未正常使用、處理或捨棄含有鋰的電池時，可能會造成爆炸。

嚴禁：

- 丟入或浸入水中
- 加熱超過攝氏100度（華氏212度）
- 修補或拆解

處理廢棄電池時，請遵照當地法令規章處理。

• 聲明 3



注意：

安裝光碟機時，請注意下列事項：

不依此處所指示的控制、調整或處理步驟，恐有遭致輻射之虞。

移開光碟機蓋子，恐有遭致雷射輻射之虞。光碟機中沒有需要維修的部分。請勿移開光碟機的蓋子。

• 聲明 4



危險

光碟機含有內嵌式 Class 3A 或 Class 3B 雷射二極體時，請注意下列事項：

開啓時會產生雷射輻射。請勿凝視光束，不要使用光學儀器直接觀察，且應避免直接暴露在光束下。

• 聲明 5



≥ 32 公斤 (70.5 磅)



≥ 55 公斤 (121.2 磅)

注意：  
提昇機器時，請使用安全提昇措施。

• 聲明 10



注意：  
電源、電話及通信電纜上均有電流通過。在安裝及架構之時，若非專家指導，為了避免人員受傷、設備受損，在開啓伺服器蓋子之前，請切斷電源線、電信系統、網路及數據機。

**DANGER**

Pour éviter tout risque de choc électrique, ne manipulez aucun câble et n'effectuez aucune opération d'installation, d'entretien ou de reconfiguration de ce produit au cours d'un orage.

Pour éviter tout risque de choc électrique:

- Les cordons d'alimentation du présent produit et de tous les appareils qui lui sont connectés doivent être branchés sur des socles de prise de courant correctement câblés et mis à la terre.

Afin d'éviter tout risque de choc électrique provenant d'une différence de potentiel de terre, n'utilisez qu'une main, lorsque cela est possible, pour connecter ou déconnecter les cordons d'interface.

Le courant électrique passant dans les câbles de communication, ou les cordons téléphoniques et d'alimentation peut être dangereux. Pour éviter tout risque de choc électrique, lorsque vous installez ou que vous déplacez le présent produit ou des périphériques qui lui sont raccordés, reportez-vous aux instructions ci-dessous pour connecter et déconnecter les différents cordons.

Connexion	Déconnexion
<ol style="list-style-type: none"><li>1. Mettez les unités hors tension.</li><li>2. Commencez par brancher tous les cordons sur les unités.</li><li>3. Branchez les câbles d'interface sur les prises.</li><li>4. Branchez les cordons d'alimentation sur un socle de prise de courant.</li><li>5. Mettez les unités sous tension.</li></ol>	<ol style="list-style-type: none"><li>1. Mettez les unités hors tension</li><li>2. Commencez pas débrancher les cordons alimentation des socles de prise de courant.</li><li>3. Débranchez les câbles d'interface des prises.</li><li>4. Débranchez tous les câbles des unités.</li></ol>



**Attention:**

Remplacez la pile usagée par une pile de référence identique exclusivement - voir la référence IBM - ou par une pile équivalente recommandée par le fabricant. Si votre système est doté d'un module contenant une pile au lithium, vous devez le remplacer uniquement par un module identique, produit par le même fabricant. La pile contient du lithium et présente donc un risque d'explosion en cas de mauvaise manipulation ou utilisation.

- Ne la jetez pas à l'eau.
- Ne l'exposez pas à une température supérieure à 100°C.
- Ne cherchez pas à la réparer ou à la démonter.

Pour la mise au rebut, reportez-vous à la réglementation en vigueur.



**Attention:**

Si une unité de CD-ROM est installée, prenez connaissance des informations suivantes:

Pour éviter tout risque d'exposition au rayon laser, respectez les consignes de réglage et d'utilisation des commandes, ainsi que les procédures décrites dans le présent document.

Pour éviter une exposition directe au rayon laser, n'ouvrez pas l'unité de CD-ROM. Vous ne pouvez effectuer aucune opération de maintenance à l'intérieur.

**DANGER**

Certaines unités de CD-ROM contiennent une diode laser de classe 3A ou 3B. Prenez connaissance des informations suivantes:

Rayonnement laser lorsque le carter est ouvert. évitez de regarder fixement le faisceau ou de l'observer à l'aide d'instruments optiques. évitez une exposition directe au rayon.



≥ 32 kg (70.5 lbs)



≥ 55 kg (121.2 lbs)

**Attention:**

Ce produit pèse un poids considérable. Faites-vous aider pour le soulever.



**Attention:**

Le courant électrique circulant dans les câbles de communication et les cordons téléphoniques et d'alimentation peut être dangereux. Pour votre sécurité et celle de l'équipement, avant de retirer les carters du serveur, mettez celui-ci hors tension et déconnectez ses cordons d'alimentation, ainsi que les câbles qui le relient aux réseaux, aux systèmes de télécommunication et aux modems (sauf instruction contraire mentionnée dans les procédures d'installation et de configuration).



### VORSICHT

Aus Sicherheitsgründen bei Gewitter an diesem Gerät keine Kabel anschließen oder lösen. Ferner keine Installations-, Wartungs- oder Rekonfigurationsarbeiten durchführen.

Aus Sicherheitsgründen:

- Gerät nur an eine Schutzkontaktsteckdose mit ordnungsgemäß geerdetem Schutzkontakt anschließen.
- Alle angeschlossenen Geräte ebenfalls an Schutzkontaktsteckdosen mit ordnungsgemäß geerdetem Schutzkontakt anschließen.

Signalkabel möglichst einhändig anschließen oder lösen, um einen Stromschlag durch Berühren von Oberflächen mit unterschiedlichem elektrischem Potential zu vermeiden.

Elektrische Spannungen von Netz-, Telefon- und Datenübertragungsleitungen sind gefährlich. Um einen Stromschlag zu vermeiden, nur nach den Anweisungen arbeiten, die für Installation, Transport oder Öffnen von Gehäusen dieses Produkts oder angeschlossenen Einheiten gelten.

Kabel anschließen	Kabel lösen
<ol style="list-style-type: none"><li>1. Alle Geräte ausschalten und Netzstecker ziehen.</li><li>2. Zuerst alle Kabel an Einheiten anschließen.</li><li>3. Signalkabel an Anschlußbuchsen anschließen.</li><li>4. Netzstecker an Steckdose anschließen.</li><li>5. Gerät einschalten.</li></ol>	<ol style="list-style-type: none"><li>1. Alle Geräte ausschalten.</li><li>2. Zuerst Netzstecker von Steckdose lösen.</li><li>3. Signalkabel von Anschlußbuchsen lösen.</li><li>4. Alle Kabel von Einheiten lösen.</li></ol>



**Achtung:**

Eine verbrauchte Batterie nur durch eine Batterie mit der IBM Teilenummer 33F8354 oder durch eine vom Hersteller empfohlene Batterie ersetzen. Wenn Ihr System ein Modul mit einer Lithium-Batterie enthält, ersetzen Sie es immer mit dem selben Modultyp vom selben Hersteller. Die Batterie enthält Lithium und kann bei unsachgemäßer Verwendung, Handhabung oder Entsorgung explodieren.

Die Batterie nicht

- mit Wasser in Berührung bringen.
- über 100 C erhitzen.
- reparieren oder zerlegen.

Die örtlichen Bestimmungen für die Entsorgung von Sondermüll beachten.



**Achtung:**

Wenn ein CD-ROM-Laufwerk installiert ist, beachten Sie folgendes. Steuer- und Einstellelemente sowie Verfahren nur entsprechend den Anweisungen im vorliegenden Handbuch einsetzen. Andernfalls kann gefährliche Laserstrahlung auftreten.

Das Entfernen der Abdeckungen des CD-ROM-Laufwerks kann zu gefährlicher Laserstrahlung führen. Es befinden sich keine Teile innerhalb des CD-ROM-Laufwerks, die vom Benutzer gewartet werden müssen. Die Verkleidung des CD-ROM-Laufwerks nicht öffnen.

**VORSICHT**

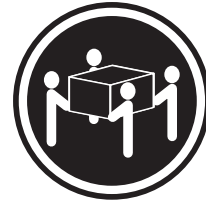
Manche CD-ROM-Laufwerke enthalten eine eingebaute Laserdiode der Klasse 3A oder 3B. Die nachfolgend aufgeführten Punkte beachten.

Laserstrahlung bei geöffneter Tür. Niemals direkt in den Laserstrahl sehen, nicht direkt mit optischen Instrumenten betrachten und den Strahlungsbereich meiden.





≥ 32 kg (70.5 lbs)



≥ 55 kg (121.2 lbs)

**Achtung:**

Beim Anheben der Maschine die vorgeschriebenen Sicherheitsbestimmungen beachten.



**Achtung:**

An Netz-, Telefon- und Datenleitungen können gefährliche elektrische Spannungen anliegen. Um eine Gefährdung des Benutzers oder Beschädigung des Geräts zu vermeiden, ist der Server auszuschalten. Die Verbindung zu den angeschlossenen Netzkabeln, Telekommunikationssystemen, Netzwerken und Modems ist vor dem öffnen des Servergehäuses zu unterbrechen (sofern in Installations- und Konfigurationsanweisungen nicht anders angegeben).

**PERICOLO**

Per evitare il pericolo di scosse elettriche durante i temporali, non collegare o scollegare cavi, non effettuare l'installazione, la manutenzione o la riconfigurazione di questo prodotto.

Per evitare il pericolo di scosse elettriche:

- collegare il cavo di alimentazione ad una presa elettrica correttamente cablata e munita di terra di sicurezza;
- collegare qualsiasi apparecchiatura collegata a questo prodotto ad una presa elettrica correttamente cablata e munita di terra di sicurezza.

Quando possibile, collegare o scollegare i cavi di segnale con una sola mano per evitare il rischio di scosse derivanti dal contatto con due superfici a diverso potenziale elettrico.

La corrente elettrica circolante nei cavi di alimentazione, del telefono e di segnale è pericolosa. Per evitare scosse elettriche, collegare e scollegare i cavi come descritto quando si effettuano l'installazione, la rimozione o l'apertura dei coperchi di questo prodotto o durante il collegamento delle unità.

<b>Per collegare</b>	<b>Per scollegare</b>
<ol style="list-style-type: none"><li>1. SPEGNERE tutti i dispositivi.</li><li>2. Collegare prima tutti i cavi alle unità.</li><li>3. Collegare i cavi di segnale alle prese.</li><li>4. Collegare il(i) cavo(i) di alimentazione alla presa elettrica.</li><li>5. ACCENDERE le unità.</li></ol>	<ol style="list-style-type: none"><li>1. SPEGNERE tutti i dispositivi.</li><li>2. Rimuovere prima il(i) cavo(i) di alimentazione dalla presa elettrica.</li><li>3. Rimuovere i cavi di segnale dalle prese.</li><li>4. Rimuovere tutti i cavi dalle unità.</li></ol>



**Attenzione:**

Quando si sostituisce la batteria, utilizzare solo una batteria IBM o batterie dello stesso tipo o di tipo equivalente consigliate dal produttore. Se il sistema di cui si dispone è provvisto di un modulo contenente una batteria al litio, sostituire tale batteria solo con un tipo di modulo uguale a quello fornito dal produttore. La batteria contiene litio e può esplodere se utilizzata, maneggiata o smaltita impropriamente.

Evitare di:

- Gettarla o immergerla in acqua
- Riscaldarla ad una temperatura superiore ai 100°C
- Cercare di ripararla o smaltirla

Smaltire secondo la normativa in vigore (D.Lgs 22 del 5/2/97) e successive disposizioni nazionali e locali.



**Attenzione:**

Quando è installata un'unità CD-ROM, notare quanto segue:

L'utilizzo di controlli, regolazioni o l'esecuzione di procedure non descritti nel presente manuale possono provocare l'esposizione a radiazioni pericolose.

L'apertura di un'unità CD-ROM può determinare l'esposizione a radiazioni laser pericolose. All'interno dell'unità CD-ROM non vi sono parti su cui effettuare l'assistenza tecnica. Non rimuovere i coperchi dell'unità CD-ROM.

**PERICOLO**

Alcune unità CD-ROM contengono all'interno un diodo laser di Classe 3A o Classe 3B. Prestare attenzione a quanto segue:

Aperto l'unità vengono emesse radiazioni laser. Non fissare il fascio, non guardarlo direttamente con strumenti ottici ed evitare l'esposizione diretta al fascio.



≥ 32 kg (70.5 lbs)



≥ 55 kg (121.2 lbs)

**Attenzione:**

Durante il sollevamento della macchina seguire delle norme di di sicurezza.



**Attenzione:**

La corrente circolante nei cavi di alimentazione, del telefono e di segnale è pericolosa. Per evitare situazioni pericolose per le persone o danneggiamenti all'apparecchiatura, scollegare i cavi di alimentazione, i sistemi di telecomunicazioni, le reti e ed i modem prima di aprire i coperchi del server se non diversamente indicato nelle procedure di installazione e configurazione.



**위험**

전기 충격을 피하려면 날씨가 나쁠 때(예: 눈 또는 비가 오거나 천둥 번개가 칠 때)는 케이블을 연결하거나 끊지 않도록 하고 이 제품의 설치, 유지보수 또는 재구성 등의 작업을 수행하지 않도록 하십시오.

전기 충격을 피하려면 다음과 같아야 합니다.

- 고압선은 적절한 배선 및 접지 상태의 콘센트로 연결되어야 합니다.
- 이 제품이 접속될 모든 장비도 적절한 배서 상태의 콘센트로 연결되어야 합니다.

다른 전위를 가진 두 표면을 만졌을 때 발생할 수 있는 전기 충격을 피하려면 한 손으로 신호선을 연결하거나 끊으십시오.

전원, 전화 및 통신 케이블로부터 흘러 나오는 전류는 위험합니다. 전기 충격을 피하려면 이 제품이나 접속 장치를 설치, 이동 및 덮개를 열 때 다음 설명에 따라 케이블을 연결하고 끊도록 하십시오.

**연결하려면**

1. 모든 스위치를 켜다.
2. 먼저 모든 케이블을 장치에 연결한다.
3. 신호선을 콘센트에 연결한다.
4. 전원을 콘센트에 연결한다.
5. 장치 스위치를 켜다.

**연결해제하려면**

1. 모든 스위치를 끈다.
2. 먼저 모든 케이블을 장치에 제거한다.
3. 신호선을 콘센트에서 제거한다.
4. 장치에서 모든 케이블을 제거한다.

경고문 2



**주의:**

배터리를 교체할 때는 IBM 부품 번호 &PN. 또는 제조업체에서 추천하는 동등한 유형의 배터리를 사용하십시오. 시스템에 리튬 배터리를 포함하는 모듈이 있으면 이것은 동일한 제조업체에서 생산된 동일한 모듈 유형으로만 교체하십시오. 배터리에는 리튬이 포함되어 있으므로 제대로 사용, 처리 또는 처분하지 않으면 폭발할 수 있습니다.

*다음은 주의하십시오.*

- 던지거나 물에 담그지 않도록 하십시오.
- 100°C(212°F) 이상으로 가열하지 않도록 하십시오.
- 수리하거나 분해하지 않도록 하십시오.

지역 법령이나 규정의 요구에 따라 배터리를 처분하십시오.

경고문 3



**주의:**

CD-ROM 드라이브가 설치되어 있으면 다음 사항을 명심하십시오.

여기에서 지정하지 않은 방식으로 CD-ROM 드라이브를 제어 또는 조절하거나 다른 절차로 사용하면 위험한 방사능 노출이 발생할 수 있습니다.

CD-ROM 드라이브의 덮개를 제거하면 위험한 레이저 방사능이 노출될 수 있습니다.

CD-ROM 드라이브 내에는 정비할 수 있는 부품이 없습니다. CD-ROM 드라이브 덮개를 제거하지 않도록 하십시오.

경고문 4

**위험**

일부 CD-ROM 드라이브에는 클래스 3A 또는 3B 레이저 2급 진공관(다이오드)이 들어 있습니다. 다음 사항을 명심하십시오.

열면 레이저 방사능이 노출됩니다. 광선을 주시하거나 광학 기계를 직접 쳐다보지 않도록 하고 광선에 노출되지 않도록 하십시오.

경고문 5



32kg(70.5 파운드)



55kg(121.2 파운드)

주의:

기계를 들 때는 안전하게 들어 올리십시오.

경고문 10



주의:

전원, 전화 및 통신 케이블로부터 흘러 나오는 전류는 위험합니다. 설치 및 구성 절차에 다른 지시가 없으면, 다치거나 장비 손상이 생기지 않게 하기 위해 서버 덮개를 열기 전에 접속된 전선, 원격 통신 시스템, 네트워크 및 모뎀의 연결을 끊으십시오.

**PELIGRO**

Para evitar una posible descarga eléctrica, no conecte ni desconecte los cables ni lleve a cabo ninguna operación de instalación, de mantenimiento o de reconfiguración de este producto durante una tormenta eléctrica.

Para evitar una posible descarga:

- El cable de alimentación debe conectarse a un receptáculo con una instalación eléctrica correcta y con toma de tierra.
- Los aparatos a los que se conecte este producto también deben estar conectados a receptáculos con la debida instalación eléctrica.

Cuando sea posible, utilice una sola mano para conectar o desconectar los cables de señal a fin de evitar una posible descarga al tocar dos superficies con distinto potencial eléctrico.

La corriente eléctrica de los cables de comunicaciones, teléfono y alimentación puede resultar peligrosa. Para evitar una posible descarga, siga las indicaciones de conexión y desconexión de los cables siempre que tenga que instalar, mover o abrir las cubiertas de este producto o de los dispositivos acoplados.

<b>Instrucciones de conexión</b>	<b>Instrucciones de desconexión</b>
<ol style="list-style-type: none"><li>1. Apague todos los componentes (OFF).</li><li>2. En primer lugar, conecte todos los cables a los dispositivos.</li><li>3. Conecte los cables de señal a los receptáculos.</li><li>4. Conecte los cables de alimentación a las tomas.</li><li>5. Encienda el dispositivo (ON).</li></ol>	<ol style="list-style-type: none"><li>1. Encienda todos los componentes (ON).</li><li>2. En primer lugar, retire los cables de alimentación de las tomas.</li><li>3. Retire los cables de señal de los receptáculos.</li><li>4. Retire todos los cables de los dispositivos.</li></ol>





**Percaución:**

Al cambiar la batería, utilice únicamente la batería IBM Número de pieza 33F8354 o un tipo de batería equivalente recomendado por el fabricante. Si el sistema tiene un módulo que contiene una batería de litio, sustitúyalo únicamente por el mismo tipo de módulo del mismo fabricante. La batería contiene litio y puede explotar si no se utiliza, manipula o desecha correctamente.

Lo que no debe hacer

- Tirar o sumergir el producto en agua.
- Exponer el producto a una temperatura superior a 100°C.
- Reparar o desmontar el producto.

Cuando quiera desechar la batería, siga las disposiciones y reglamentaciones locales.



**Percaución:**

Cuando instale una unidad de CD-ROM, tenga en cuenta la siguiente información.

Si se llevan a cabo controles o ajustes o se utilizan métodos que no se atengan a lo aquí especificado, se puede producir una exposición peligrosa a las radiaciones.

Si se retiran las cubiertas de la unidad de CD-ROM, se puede producir una peligrosa exposición a radiaciones de láser. Dentro de la unidad de CD-ROM no existen piezas reparables. No retire las cubiertas de la unidad de CD-ROM.

**PELIGRO**

Algunas unidades de CD-ROM tienen incorporado un diodo de láser de Clase 3A o de Clase 3B. Tenga en cuenta la siguiente información.

Cuando la unidad está abierta se generan emisiones de rayos láser. No dirija la mirada al haz, no lo observe directamente con instrumentos ópticos y evite la exposición directa.



≥ 32 kg (70.5 lbs)



≥ 55 kg (121.2 lbs)

**Precaución::**

Alce la máquina con cuidado; el sobrepeso podría causar alguna lesión.



**Precaución:**

La corriente eléctrica de los cables de comunicaciones, de teléfono y de alimentación puede resultar peligrosa. Para evitar posibles lesiones o daños del aparato, desconecte los cables de alimentación, los sistemas de telecomunicaciones, las redes y los módems antes de abrir las cubiertas del servidor, salvo que se indique lo contrario en las instrucciones de las operaciones de instalación y configuración.

---

## Safety Information

This section contains the safety information with which you need to be familiar, before you service an IBM computer.

### General Safety

Follow these rules to ensure general safety:

- Observe good housekeeping in the area of the machines during and after maintenance.
- When lifting any heavy object:
  1. Ensure you can stand safely without slipping.
  2. Distribute the weight of the object equally between your feet.
  3. Use a slow lifting force. Never move suddenly or twist when you attempt to lift.
  4. Lift by standing or by pushing up with your leg muscles; this action removes the strain from the muscles in your back. *Do not attempt to lift any objects that weigh more than 16 kg (35 lb) or objects that you think are too heavy for you.*
- Do not perform any action that causes hazards to the customer, or that makes the equipment unsafe.
- Before you start the machine, ensure that other service representatives and the customer's personnel are not in a hazardous position.
- Place removed covers and other parts in a safe place, away from all personnel, while you are servicing the machine.
- Keep your tool case away from walk areas so that other people will not trip over it.
- Do not wear loose clothing that can be trapped in the moving parts of a machine. Ensure that your sleeves are fastened or rolled up above your elbows. If your hair is long, fasten it.
- Insert the ends of your necktie or scarf inside clothing or fasten it with a nonconductive clip, approximately 8 centimeters (3 inches) from the end.
- Do not wear jewelry, chains, metal-frame eyeglasses, or metal fasteners for your clothing. **Remember:** Metal objects are good electrical conductors.
- Wear safety glasses when you are doing any of the following: hammering, drilling soldering, cutting wire, attaching springs, using solvents, or working in any other conditions that might be hazardous to your eyes.
- After service, reinstall all safety shields, guards, labels, and ground wires. Replace any safety device that is worn or defective.
- Reinstall all covers correctly before returning the machine to the customer.

### Grounding requirements

Electrical grounding of the computer is required for operator safety and correct system function. Proper grounding of the electrical outlet can be verified by a certified electrician.

### Electrical safety

**Important:**

Use only approved tools and test equipment. Some hand tools have handles covered with a soft material that does not insulate you when working with live electrical currents.

Many customers have, near their equipment, rubber floor mats that contain small conductive fibers to decrease electrostatic discharges. Do not use this type of mat to protect yourself from electrical shock.

Observe the following rules when working on electrical equipment.

- Find the room emergency power-off (EPO) switch, disconnecting switch, or electrical outlet. If an electrical accident occurs, you can then operate the switch or unplug the power cord quickly.
- Do not work alone under hazardous conditions or near equipment that has hazardous voltages.
- Disconnect all power before:
  - Performing a mechanical inspection
  - Working near power supplies
  - Removing or installing main units
- Before you start to work on the machine, unplug the power cord. If you cannot unplug it, ask the customer to power-off the wall box that supplies power to the machine and to lock the wall box in the off position.
- If you need to work on a machine that has *exposed* electrical circuits, observe the following precautions:
  - Ensure that another person, familiar with the power-off controls, is near you.  
**Remember:** Another person must be there to switch off the power, if necessary.
  - Use only one hand when working with powered-on electrical equipment; keep the other hand in your pocket or behind your back.  
**Remember:** There must be a complete circuit to cause electrical shock. By observing the above rule, you may prevent a current from passing through your body.
  - When using testers, set the controls correctly and use the approved probe leads and accessories for that tester.
  - Stand on suitable rubber mats (obtained locally, if necessary) to insulate you from grounds such as metal floor strips and machine frames.

Observe the special safety precautions when you work with very high voltages; these instructions are in the safety sections of maintenance information. Use extreme care when measuring high voltages.

- Regularly inspect and maintain your electrical hand tools for safe operational condition.
- Do not use worn or broken tools and testers.
- *Never assume* that power has been disconnected from a circuit. First, *check* that it has been powered-off.
- Always look carefully for possible hazards in your work area. Examples of these hazards are moist floors, nongrounded power extension cables, power surges, and missing safety grounds.
- Do not touch live electrical circuits with the reflective surface of a plastic dental mirror. The surface is conductive; such touching can cause personal injury and machine damage.
- Do not service the following parts (or similar units) *with the power on* when they are removed from their normal operating places in a machine. This practice ensures correct grounding of the units.)
  - Power supply units
  - Pumps
  - Blowers and fans
  - Motor generators
- If an electrical accident occurs:
  - **Use caution; do not become a victim yourself.**
  - **Switch off power.**
  - **Send another person to get medical aid.**

## Handling electrostatic discharge-sensitive devices

Any computer part containing transistors or integrated circuits (ICs) should be considered sensitive to electrostatic discharge (ESD). ESD damage can occur when there is a difference in charge between objects. Protect against ESD damage by equalizing the charge so that the machine, the part, the work mat, and the person handling the part are all at the same charge.

### Notes:

1. Use product-specific ESD procedures when they exceed the requirements noted here.
2. Make sure that the ESD protective devices you use have been certified (ISO 9000) as fully effective.

Use the following precautions when handling ESD-sensitive parts.

- Keep the parts in protective packages until they are inserted into the product.
- Avoid contact with other people.
- Wear a grounded wrist strap against your skin to eliminate static on your body.
- Prevent the part from touching your clothing. Most clothing is insulative and retains a charge even when you are wearing a wrist strap.
- Select a grounding system, such as those listed below, to provide protection that meets the specific service requirement.

**Note:** The use of a grounding system is desirable but not required to protect against ESD damage.

- Attach the ESD ground clip to any frame ground, ground braid, or green-wire ground.
- Use an ESD common ground or reference point when working on a double-insulated or battery-operated system. You can use coax or connector-outside shells on these systems.
- Use the round ground-prong of the ac plug on ac-operated computers.
- Use the black side of a grounded work mat to provide a static-free work surface. The mat is especially useful when handling ESD-sensitive devices.

## Safety inspection guide

The intent of this inspection guide is to assist you in identifying potentially unsafe conditions on these products. Each machine, as it was designed and built, had required safety items installed to protect users and service personnel from injury. This guide addresses only those items. However, good judgment should be used to identify potential safety hazards due to attachment of non-IBM features or options not covered by this inspection guide.

If any unsafe conditions are present, you must determine how serious the apparent hazard could be and whether you can continue without first correcting the problem.

Consider these conditions and the safety hazards they present:

- Electrical hazards, especially primary power (primary voltage on the frame can cause serious or fatal electrical shock).
- Explosive hazards, such as a damaged CRT face or bulging capacitor
- Mechanical hazards, such as loose or missing hardware

The guide consists of a series of steps presented in a checklist. Begin the following checks with the power off, and the power cord disconnected.

1. Check exterior covers for damage (loose, broken, or sharp edges).
2. Power-off the computer. Disconnect the power cord.

3. Check the power cord for the following:
  - a. A third-wire ground connector in good condition. Use a meter to measure third-wire ground continuity for 0.1 ohm or less between the external ground pin and frame ground.
  - b. The power cord should be the appropriate type as specified in the parts listings.
  - c. Insulation must not be frayed or worn.
4. Remove the cover.
5. Check for any obvious non-IBM alterations. Use good judgment as to the safety of any non-IBM alterations.
6. Check inside the unit for any obvious unsafe conditions, such as metal filings, contamination, water or other liquids, or signs of fire or smoke damage.
7. Check for worn, frayed, or pinched cables.
8. Check that the power-supply cover fasteners (screws or rivets) have not been removed or tampered with.

---

## Problem determination tips

Because there is a large variety of hardware and software combinations that can be encountered, use the following information to assist you in problem determination.

- Verify any recent hardware changes. See “Hardware considerations” on page 131.
- Verify any recent software changes. See “Software considerations” on page 130.
- Verify that the BIOS is at the latest level. See “BIOS” on page 130.
- Verify that the drivers are at the latest levels. See “Drivers” on page 130.
- Verify that the Configuration matches the hardware. See “System resource conflicts” on page 132.
- Verify that the Diagnostics diskette is at the latest level. See “File updates”.

As you go through problem determination, consider these questions.

- Do diagnostics fail?
- What, when, where, single, or multiple systems?
- Is the failure repeatable?
- Has this configuration ever worked?
- If it has been working, what changes were made prior to it failing?
- Is this the original reported failure?

### **Important:**

To eliminate confusion, systems are considered identical only if the following are *exactly* identical for *each* system:

1. Machine type and model
2. BIOS level
3. Adapters/attachments (in same locations)
4. Address jumpers/terminators/cabling
5. Software versions and levels
6. Reference/Diagnostics Diskette
7. Configuration options set in the system
8. Setup for operation system control files

Comparing the configuration and software setup between “working” and “non-working” systems will often resolve problems.

## File updates

Use the World Wide Web (WWW) to download Diagnostic, BIOS Flash, and Device Driver files.

To download NetVista file, do the following:

- Go to <http://www.ibm.com/>.
- Select **Support**.
- Select **Desktop computing** from the “Search by Category” pull-down menu.
- Select **NetVista** from the “Product Family” list.
- Search for the machine type in the “Quick Path” box on the left.
- Select the appropriate file type from the “Downloadable files by Category” pull-down menu or go directly to the link from the “Downloadable files by date” list.

## Adding adapters to the system

When adapters are added to the system, an area in memory has to be allocated to run its programs. This can be done with either **hardware switches** or **software mapping**.

If there is a conflict in software mapping, then the following may be true.

- The first device to attach to an IRQ, DMA, I/O Address, or RAM location will probably function. The second device will not be found.
- Standalone diagnostics might function properly because the device that was found is the only device running.

Software configuration conflicts occur when the following are true.

- Hardware has a different configuration than the software that is using it expects.
- Hardware memory address space is in conflict with memory used by the application software.

## Software considerations

Suspect a software failure if one of the following is true.

- Hardware diagnostics run error-free.
- Swapping hardware components fails to isolate the problem.

A software problem might be the result of a mismatch between the hardware and the operating system device drivers or direct drivers.

### BIOS

The BIOS acts as an interface between the system hardware, application software, and the operating system.

The BIOS contains the instructions to operate the basic system components:

- Keyboard
- Serial and parallel ports
- Diskette drive
- Hard disk drive
- VGA display
- Clock
- Memory controller.

The BIOS then starts the IPL or Boot functions.

### Drivers

Device drivers are the BIOS for additional hardware. They are the communicators of the hardware assignments to the operating system, including the following:

- IRQ level
- DMA channel
- I/O address
- ROM or RAM.

Some device drivers like HIMEM.SYS are position sensitive and must be placed before other device drivers in the CONFIG.SYS file.



Not all device drivers are found in the CONFIG.SYS file. Advanced operating systems use .INI files to set up and start devices.

Device drivers can access the hardware in five ways.

- **Operating system direct to hardware using a direct driver**

Direct drivers, which bypass BIOS, have the advantage of faster throughput, but the disadvantage of limited error-handling capability and reduced software and hardware compatibility and flexibility. This method is not used in the IBM PC Series systems.

- **Operating system to BIOS to hardware**

This is the recommended way. It's the most flexible because it is independent of the hardware.

- **Applications to operating system to BIOS to hardware**

This method is inflexible and is dependent on the operating system.

- **Applications to BIOS to hardware**

This method has some flexibility but it is dependent on the BIOS.

- **Applications to hardware**

This method is dependent on the hardware and is very inflexible. However, it is very fast, very efficient, and it has no overhead.

## Hardware considerations

Use the following tools to help identify and resolve hardware-related problems.

- Power-on self-test (POST)
- POST Beep codes
- Test programs
- Error messages

POST does the following operations.

- Checks some basic system board operations
- Checks the memory operation
- Starts the video operation
- Verifies that the diskette drive is working
- Verifies that the hard disk drive is working

Use the test programs that come with this HMM or with the system you are servicing to test the IBM components of the system and some external devices. Also, from the DOS prompt or from OS/2 Utilities, use the **CHKDSK** command to check and repair hard disk data allocation errors.

Error messages generated by the software (the operating system or application programs), generally are text messages. However, error messages can be text, numeric, or both text and numeric.

Any time there is an error message indicating a problem with the system, follow the General Checkout procedures in this HMM to resolve the problem.

Basically, there are five types of error messages.

- **POST error messages** are displayed when the POST finds problems with the hardware or detects a change in the hardware configuration.

- **POST Beep codes** are sounds emitted from the speaker if the POST finds a problem. One beep indicates that the POST completed successfully. Multiple beeps indicate a problem was found.
- **Diagnostic error messages** are displayed when a test program finds a problem with a hardware component.
- **Software-generated error messages** are displayed if a problem or conflict is found by an application program, the operating system, or both. For an explanation of these messages, refer to the information supplied with the installed software package. Also, refer to “Software considerations” on page 130.
- **Multiple messages** occur when the first error causes additional errors. Follow the suggested action of the first error displayed.

## System resource conflicts

System failures occur when there are system resource conflicts with the following:

- Interrupt Request Queue (IRQ)
- Direct Memory Access (DMA)
- I/O Address
- ROM and RAM Addresses.

### IRQ

- Assigns a unique interrupt request line to every I/O device (line numbers range from 0 to 15).
- Interrupts the processor to force it to service the request.
- Handles interrupts on a priority basis (low numbers have the highest priority).
- Queues interrupt request.

**IRQ conflicts occur when there are multiple assignments to the same interrupt level.** If there is an IRQ conflict, the system will hang. Use the systems diagnostics to check for multiple assignments to the same interrupt level before replacing any hardware component.

### DMA

- **Accesses the memory by bypassing the processor.** This allows the processor more time for applications and programs.
- Accesses memory directly from the serial and parallel ports on some systems.
- **Accesses memory directly from some adapters using a DMA channel.** This allows the adapter to operate faster.
- **Provides from 4 to 15 DMA channels.** The number varies depending on the system.

**If multiple assignments of the same DMA channel occur, the system will hang.** Use the system diagnostics to check for multiple assignments to the same DMA channel before replacing any hardware components.

### I/O address

A unique I/O address is assigned to each system component.

If multiple assignments of the same I/O address occur, the system will hang. Use the **DOS MEM** command to check for multiple assignments to the same I/O address before replacing any hardware component.

## ROM and RAM Addresses

Adapter cards with processors can contain RAM and ROM. If the adapter cards have onboard memory, then the following are true.

- ROM contains operating instructions for the adapter I/O.
- RAM is used for buffering.

**Two adapters using the same memory area will cause a failure.** This failure might appear as a hardware failure.

The IRQ levels, DMA channels, I/O address, and ROM and RAM addresses all become potential conflicts and system problems. When conflicts arise, they might show up as system hangs, lost or missing devices, incorrect or bad data, or failing diagnostics. **Always eliminate conflicts in these areas before replacing any hardware components.**

---

## Miscellaneous Information

### Acronyms, Abbreviations, and Terms

<b>Term</b>	<b>Information</b>
ACPA/A	Audio Capture and Playback Adapter
ADP	Automatic Data Processing
AGP	Advanced Graphics Port
Alt	Alternate
ANSI	American National Standards Institute
ARTIC	A Real Time Interface Coprocessor
ASCII	American National Standard Code for Interface Interchange
AT	Advanced Technology (refer to AT Bus)
AVC	Audio Video Connection
BIOS	Basic Input/Output System
bps	Bits Per Second
BPS	Bytes Per Second
CCITT	The International Telephone and Telegraph Consultative Committee
CCS	Common Command Set
CCSB	Common Complete Status Block
CCSB	Configuration Control Sub Board
CD	Compact Disc
CDPD	Cellular Digital Packet Data
CD-ROM	CD Read-Only Memory
CGA	Color Graphics Adapter (See EGA)
CRC	Cyclic Redundancy Check
CRT	Cathode Ray Tube
CSA	Canadian Standards Association
CSD	Corrective Service Diskette
DASD	Direct Access Storage Device (hard disk)
DMA	Direct Memory Access
DRAM	Dynamic Random Access Memory
ECA	Engineering Change Announcement
ECC	Error Correction Code
EGA	Enhanced Graphics Adapter
ESD	Electrostatic Discharge
ESDI	Enhanced Small Device Interface
EEPROM	Electrically Erasable Programmable Read-Only Memory
EWS	Energy Work Station
FRU	Field Replaceable Unit (replaceable part)
GPIO	General Purpose Interface Bus (IEEE 348)
GSA	General Services Administration
Ht	Height
IDE	Integrated Drive Electronics
IC	Integrated Circuit
IEEE	Institute of Electrical and Electronics Engineers
IEC	International Electrotechnical Commission
IML	Initial Machine Load
IPL	Initial Program Load
ISA	Industry Standard Architecture
ISO	International Organization for Standardization
ISDN	Integrated-Services Digital Network
LAN	Local Area Network
LBA	Local Block Address
LTB	Local Transfer Bus

<b>Term</b>	<b>Information</b>
LUN	Logical Unit Number (refer to SCSI)
MAP	Maintenance Analysis Procedure
MCGA	Modified Color Graphics Adapter
MCA	Micro Channel Architecture (bus structure)
MHz	Mega Hertz (million cycles per second)
MIDI	Musical Instrument Digital Interface
MM	Multimedia
N/A	Not Available or Not Applicable
NDD	National Distribution Division
NDIS	Network Driver Interface Specification
NMI	Non-Maskable Interrupt
NSC	National Support Center
NVRAM	Non-Volatile Random Access Memory
OEM	Original Equipment Manufacturer
PCI	Peripheral Component Interconnect
PCMCIA	Personal Computer Memory Card International Association
POS	Programmable Option Select
PUN	Physical Unit Number (refer to SCSI)
RAID	Redundant Array of Inexpensive Disks
RAM	Random Access Memory (read/write)
RGB	Red Green Blue (refer to monitors)
RIPL	Remote Initial Program Load
ROM	Read-Only Memory
SASD	Sequential Access Storage Device (Tape)
SCB	Subsystem Control Block
SCSI	Small Computer Systems Interface
SCSI ID	SCSI Identification Number
SPD	Software Product Description
SR	Service Representative
SRAM	Static Random Access Memory
SVGA	Super Video Graphics Array (800x600x16)
STN	Super Twisted Nematic
T/A	NDD Technical Advisor (see your Marketing Representative)
TDD	Telecommunications Device for the Deaf
TFT	Thin-Film Transistor
TPF	ThinkPad File
TSR	Terminate and Stay Resident
UL	Underwriters Laboratory
VCA	Video Capture Adapter
VESA	Video Electronics Standards Association
VGA	Video Graphics Array (640x480x16)
VPD	Vital Product Data
VRAM	Video Random Access Memory
WORM	Write Once Read Many (storage medium)
XGA	Extended Graphics Array
Y/C	Luminance/Chrominance Signal (Video)

---

## Send Us Your Comments!

We want to know your opinion about this manual (part number \_\_\_\_\_). Your input will help us to improve our publications.

Please photocopy this survey, complete it, and then fax it to **IBM HMM Survey** at **919-543-8167 (USA)**.

Name: \_\_\_\_\_

Phone number: \_\_\_\_\_

1. Do you like this manual? Please comment.

Yes  No

---

---

---

---

---

---

---

---

---

---

2. What would you like to see added, changed, or deleted in this manual?

---

---

---

---

---

---

---

---

---

---

---

---

---

---

---

---

---

---

---

---

---

---

---

---

3. What is your service level experience level?

Less than five years  More than five years

---

4. Which computers do you service most?

---

---

**Thank you for your response!**

---

## Notices

References in this publication to IBM products, programs, or services do not imply that IBM intends to make these available in all countries in which IBM operates. Any reference to an IBM product, program, or service is not intended to state or imply that only that IBM product, program, or service may be used. Subject to IBM's valid intellectual property or other legally protectable rights, any functionally equivalent product, program, or service may be used instead of the IBM product, program, or service. The evaluation and verification of operation in conjunction with other products, except those expressly designated by IBM, are the responsibility of the user.

IBM may have patents or pending patent applications covering subject matter in this document. The furnishing of this document does not give you any license to these patents. You can send license inquiries, in writing, to:

IBM Director of Licensing  
IBM Corporation  
North Castle Drive  
Armonk, NY 10504-1785  
U.S.A.



---

## Trademarks

The following terms are trademarks of the IBM Corporation in the United States or other countries or both.

Alert on LAN	Aptiva	Asset ID
AT	BookManager	Business Partner
EduQuest	FaxConcentrator	HelpCenter
HelpClub	HelpFax	HelpWare
IBM	Intellistation	Micro Channel
Netfinity	Netfinity Manager	NetView
NetVista	OS/2	PC 300
PC 700	Personal System/2	PS/ValuePoint
Predictive Failure Analysis	Rapid Resume	RETAIN
SelectaSystem	ScrollPoint	Skill Dynamics
SystemView	SystemXtra	ThinkPad
TrackPoint	TrackPoint II	Wake on LAN
XGA		

ActionMedia, Celeron, LANDesk, MMX, Pentium and Proshare are trademarks or registered trademarks of Intel Corporation in the U.S. and other countries

Microsoft, Windows, Windows NT and the Windows logo are registered trademarks of Microsoft Corporation.

Other company, product and service names used in this publication may be trademarks or service marks of other corporations.







Part Number: 06P1775

Printed in USA

(1P) P/N: 06P1775



## Free Manuals Download Website

<http://myh66.com>

<http://usermanuals.us>

<http://www.somanuals.com>

<http://www.4manuals.cc>

<http://www.manual-lib.com>

<http://www.404manual.com>

<http://www.luxmanual.com>

<http://aubethermostatmanual.com>

Golf course search by state

<http://golfingnear.com>

Email search by domain

<http://emailbydomain.com>

Auto manuals search

<http://auto.somanuals.com>

TV manuals search

<http://tv.somanuals.com>