

Power Systems

*Power supplies for the
9117-MMB or 9179-MHB*

IBM

Power Systems

*Power supplies for the
9117-MMB or 9179-MHB*

IBM

Note

Before using this information and the product it supports, read the information in "Notices" on page 97, "Safety notices" on page v, the *IBM Systems Safety Notices* manual, G229-9054, and the *IBM Environmental Notices and User Guide*, Z125-5823.

This edition applies to IBM Power Systems servers that contain the POWER7 processor and to all associated models.

© Copyright IBM Corporation 2010, 2011.

US Government Users Restricted Rights – Use, duplication or disclosure restricted by GSA ADP Schedule Contract with IBM Corp.

Contents

Safety notices	v
Power supplies for the 9117-MMB or 9179-MHB.	1
What's new in Power supplies	1
Removing the 9117-MMB or 9179-MHB power supply with the power turned off	1
Removing the 9117-MMB or 9179-MHB power supply with the power turned on	3
Replacing the 9117-MMB or 9179-MHB power supply with the power turned off	4
Replacing the 9117-MMB or 9179-MHB power supply with the power turned on	6
Power supply LEDs	8
Power supplies, fans, and input power distribution assemblies in a 5802 or 5877 expansion unit	9
Removing a power supply or fan from a 5802 or 5877 expansion unit with the power turned on	9
Removing a power supply or fan from a 5802 or 5877 expansion unit with power turned off	13
Replacing a power supply or fan in a 5802 or 5877 expansion unit with the power turned on	16
Replacing a power supply or fan in a 5802 or 5877 expansion unit with power turned off	21
Removing an input power distribution assembly from a 5802 or 5877 expansion unit with the power turned off	25
Replacing an input power distribution assembly in a 5802 or 5877 expansion unit with the power turned off.	28
Replacing an input power distribution assembly in a 5802 or 5877 expansion unit with the power turned off.	30
Common procedures for installable features	33
Before you begin	33
Identifying a part	36
Control panel LEDs.	36
Identifying a failing part in an AIX system or logical partition	38
Locating a failing part in an AIX system or logical partition	38
Activating the indicator light for the failing part	38
Deactivating the failing-part indicator light.	38
Identifying a failing part in an IBM i system or logical partition.	39
Activating the failing-part indicator light	39
Deactivating the failing-part indicator light.	39
Identifying a failing part in a Linux system or logical partition	40
Locating a failing part in a Linux system or logical partition	40
Finding the location code of a failing part in a Linux system or logical partition	40
Activating the indicator light for the failing part	41
Deactivating the failing-part indicator light.	41
Locating a failing part in a Virtual I/O Server system or logical partition.	41
Identifying a part by using the Virtual I/O Server	41
Starting the system or logical partition	42
Starting a system that is not managed by an HMC or an SDMC.	42
Starting a system or logical partition by using the Hardware Management Console	43
Starting a system or virtual server with the Systems Director Management Console	44
Stopping a system or logical partition	44
Stopping a system that is not managed by an HMC or an SDMC	44
Stopping a system by using the Hardware Management Console	45
Stopping a system with the Systems Director Management Console	46
Placing the 8202-E4B or 8205-E6B system into the service or operating position.	46
Placing a rack-mounted 8202-E4B or 8205-E6B system into the service position.	46
Placing the rack-mounted 8202-E4B or 8205-E6B system into the operating position	48
Removing and replacing covers for the 8202-E4B or 8205-E6B	49
Removing the front cover on a rack-mounted 8202-E4B or 8205-E6B system	49
Removing the front cover on a stand-alone 8202-E4B or 8205-E6B system.	50
Installing the front cover on a rack-mounted 8202-E4B or 8205-E6B system	51
Installing the front cover and front door on a stand-alone 8202-E4B or 8205-E6B system.	52
Removing the service access cover on a rack-mounted 8202-E4B or 8205-E6B system	53
Removing the service access cover on a stand-alone 8202-E4B or 8205-E6B system.	54
Installing the service access cover on a rack-mounted 8202-E4B or 8205-E6B system	56
Installing the service access cover on a stand-alone 8202-E4B or 8205-E6B system	56

Disconnecting the power cords from the 8202-E4B or 8205-E6B system	58
Connecting the power cords to the 8202-E4B or 8205-E6B system	60
Installing a feature by using the Hardware Management Console	60
Installing a part by using the Systems Director Management Console	61
Verifying the installed part	61
Verifying an installed feature or replaced part in an AIX system or logical partition	61
Verifying the installed part in an IBM i system or logical partition	64
Deactivating the failing-part indicator light.	64
Verifying the installed part in a Linux system or logical partition	65
Verifying an installed part by using stand-alone diagnostics	65
Verifying the installed part by using Hardware Management Console	66
Activating and deactivating LEDs by using the HMC	67
Viewing serviceable events by using the HMC.	68
Verifying the installed part by using Systems Director Management Console	69
Activating and deactivating LEDs by using the SDMC	69
Viewing serviceable events by using the IBM Systems Director Management Console	70
Verifying an installed feature or replaced part on a system or logical partition by using Virtual I/O Server tools.	70
Verifying a repair	73
Verifying the repair in AIX	74
Verifying a repair using an IBM i system or logical partition	77
Verifying the repair in Linux	79
Verifying the repair from the management console	79
Closing a service call	80
Closing a service call using AIX or Linux	85
Closing a service call using Integrated Virtualization Manager	89
Activating and deactivating LEDs	93
Deactivating a system attention LED or partition LED using the management console	94
Activating or deactivating an identify LED using the management console	94
Deactivating a system attention LED or logical partition LED using the Advanced System Management Interface	95
Activating or deactivating an identify LED using the Advanced System Management Interface	96
Notices	97
Trademarks	98
Electronic emission notices	98
Class A Notices	98
Class B Notices.	102
Terms and conditions.	105

Safety notices

Safety notices may be printed throughout this guide:

- **DANGER** notices call attention to a situation that is potentially lethal or extremely hazardous to people.
- **CAUTION** notices call attention to a situation that is potentially hazardous to people because of some existing condition.
- **Attention** notices call attention to the possibility of damage to a program, device, system, or data.

World Trade safety information

Several countries require the safety information contained in product publications to be presented in their national languages. If this requirement applies to your country, a safety information booklet is included in the publications package shipped with the product. The booklet contains the safety information in your national language with references to the U.S. English source. Before using a U.S. English publication to install, operate, or service this product, you must first become familiar with the related safety information in the booklet. You should also refer to the booklet any time you do not clearly understand any safety information in the U.S. English publications.

German safety information

Das Produkt ist nicht für den Einsatz an Bildschirmarbeitsplätzen im Sinne § 2 der Bildschirmarbeitsverordnung geeignet.

Laser safety information

IBM® servers can use I/O cards or features that are fiber-optic based and that utilize lasers or LEDs.

Laser compliance

IBM servers may be installed inside or outside of an IT equipment rack.

DANGER

When working on or around the system, observe the following precautions:

Electrical voltage and current from power, telephone, and communication cables are hazardous. To avoid a shock hazard:

- Connect power to this unit only with the IBM provided power cord. Do not use the IBM provided power cord for any other product.
- Do not open or service any power supply assembly.
- Do not connect or disconnect any cables or perform installation, maintenance, or reconfiguration of this product during an electrical storm.
- The product might be equipped with multiple power cords. To remove all hazardous voltages, disconnect all power cords.
- Connect all power cords to a properly wired and grounded electrical outlet. Ensure that the outlet supplies proper voltage and phase rotation according to the system rating plate.
- Connect any equipment that will be attached to this product to properly wired outlets.
- When possible, use one hand only to connect or disconnect signal cables.
- Never turn on any equipment when there is evidence of fire, water, or structural damage.
- Disconnect the attached power cords, telecommunications systems, networks, and modems before you open the device covers, unless instructed otherwise in the installation and configuration procedures.
- Connect and disconnect cables as described in the following procedures when installing, moving, or opening covers on this product or attached devices.

To Disconnect:

1. Turn off everything (unless instructed otherwise).
2. Remove the power cords from the outlets.
3. Remove the signal cables from the connectors.
4. Remove all cables from the devices

To Connect:

1. Turn off everything (unless instructed otherwise).
2. Attach all cables to the devices.
3. Attach the signal cables to the connectors.
4. Attach the power cords to the outlets.
5. Turn on the devices.

(D005)

DANGER

Observe the following precautions when working on or around your IT rack system:

- Heavy equipment—personal injury or equipment damage might result if mishandled.
- Always lower the leveling pads on the rack cabinet.
- Always install stabilizer brackets on the rack cabinet.
- To avoid hazardous conditions due to uneven mechanical loading, always install the heaviest devices in the bottom of the rack cabinet. Always install servers and optional devices starting from the bottom of the rack cabinet.
- Rack-mounted devices are not to be used as shelves or work spaces. Do not place objects on top of rack-mounted devices.



- Each rack cabinet might have more than one power cord. Be sure to disconnect all power cords in the rack cabinet when directed to disconnect power during servicing.
- Connect all devices installed in a rack cabinet to power devices installed in the same rack cabinet. Do not plug a power cord from a device installed in one rack cabinet into a power device installed in a different rack cabinet.
- An electrical outlet that is not correctly wired could place hazardous voltage on the metal parts of the system or the devices that attach to the system. It is the responsibility of the customer to ensure that the outlet is correctly wired and grounded to prevent an electrical shock.

CAUTION

- Do not install a unit in a rack where the internal rack ambient temperatures will exceed the manufacturer's recommended ambient temperature for all your rack-mounted devices.
- Do not install a unit in a rack where the air flow is compromised. Ensure that air flow is not blocked or reduced on any side, front, or back of a unit used for air flow through the unit.
- Consideration should be given to the connection of the equipment to the supply circuit so that overloading of the circuits does not compromise the supply wiring or overcurrent protection. To provide the correct power connection to a rack, refer to the rating labels located on the equipment in the rack to determine the total power requirement of the supply circuit.
- *(For sliding drawers.)* Do not pull out or install any drawer or feature if the rack stabilizer brackets are not attached to the rack. Do not pull out more than one drawer at a time. The rack might become unstable if you pull out more than one drawer at a time.
- *(For fixed drawers.)* This drawer is a fixed drawer and must not be moved for servicing unless specified by the manufacturer. Attempting to move the drawer partially or completely out of the rack might cause the rack to become unstable or cause the drawer to fall out of the rack.

(R001)

CAUTION:

Removing components from the upper positions in the rack cabinet improves rack stability during relocation. Follow these general guidelines whenever you relocate a populated rack cabinet within a room or building:

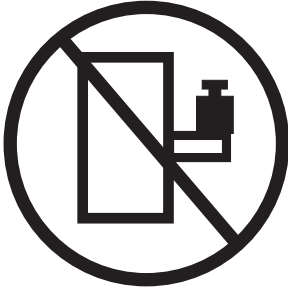
- Reduce the weight of the rack cabinet by removing equipment starting at the top of the rack cabinet. When possible, restore the rack cabinet to the configuration of the rack cabinet as you received it. If this configuration is not known, you must observe the following precautions:
 - Remove all devices in the 32U position and above.
 - Ensure that the heaviest devices are installed in the bottom of the rack cabinet.
 - Ensure that there are no empty U-levels between devices installed in the rack cabinet below the 32U level.
- If the rack cabinet you are relocating is part of a suite of rack cabinets, detach the rack cabinet from the suite.
- Inspect the route that you plan to take to eliminate potential hazards.
- Verify that the route that you choose can support the weight of the loaded rack cabinet. Refer to the documentation that comes with your rack cabinet for the weight of a loaded rack cabinet.
- Verify that all door openings are at least 760 x 230 mm (30 x 80 in.).
- Ensure that all devices, shelves, drawers, doors, and cables are secure.
- Ensure that the four leveling pads are raised to their highest position.
- Ensure that there is no stabilizer bracket installed on the rack cabinet during movement.
- Do not use a ramp inclined at more than 10 degrees.
- When the rack cabinet is in the new location, complete the following steps:
 - Lower the four leveling pads.
 - Install stabilizer brackets on the rack cabinet.
 - If you removed any devices from the rack cabinet, repopulate the rack cabinet from the lowest position to the highest position.
- If a long-distance relocation is required, restore the rack cabinet to the configuration of the rack cabinet as you received it. Pack the rack cabinet in the original packaging material, or equivalent. Also lower the leveling pads to raise the casters off of the pallet and bolt the rack cabinet to the pallet.

(R002)

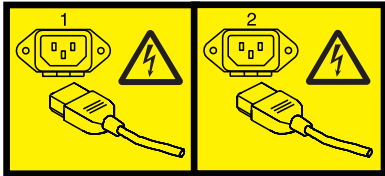
(L001)



(L002)



(L003)



or



All lasers are certified in the U.S. to conform to the requirements of DHHS 21 CFR Subchapter J for class 1 laser products. Outside the U.S., they are certified to be in compliance with IEC 60825 as a class 1 laser product. Consult the label on each part for laser certification numbers and approval information.

CAUTION:

This product might contain one or more of the following devices: CD-ROM drive, DVD-ROM drive, DVD-RAM drive, or laser module, which are Class 1 laser products. Note the following information:

- Do not remove the covers. Removing the covers of the laser product could result in exposure to hazardous laser radiation. There are no serviceable parts inside the device.
- Use of the controls or adjustments or performance of procedures other than those specified herein might result in hazardous radiation exposure.

(C026)

CAUTION:

Data processing environments can contain equipment transmitting on system links with laser modules that operate at greater than Class 1 power levels. For this reason, never look into the end of an optical fiber cable or open receptacle. (C027)

CAUTION:

This product contains a Class 1M laser. Do not view directly with optical instruments. (C028)

CAUTION:

Some laser products contain an embedded Class 3A or Class 3B laser diode. Note the following information: laser radiation when open. Do not stare into the beam, do not view directly with optical instruments, and avoid direct exposure to the beam. (C030)

Power and cabling information for NEBS (Network Equipment-Building System) GR-1089-CORE

The following comments apply to the IBM servers that have been designated as conforming to NEBS (Network Equipment-Building System) GR-1089-CORE:

The equipment is suitable for installation in the following:

- Network telecommunications facilities
- Locations where the NEC (National Electrical Code) applies

The intrabuilding ports of this equipment are suitable for connection to intrabuilding or unexposed wiring or cabling only. The intrabuilding ports of this equipment *must not* be metallically connected to the interfaces that connect to the OSP (outside plant) or its wiring. These interfaces are designed for use as intrabuilding interfaces only (Type 2 or Type 4 ports as described in GR-1089-CORE) and require isolation from the exposed OSP cabling. The addition of primary protectors is not sufficient protection to connect these interfaces metallically to OSP wiring.

Note: All Ethernet cables must be shielded and grounded at both ends.

The ac-powered system does not require the use of an external surge protection device (SPD).

The dc-powered system employs an isolated DC return (DC-I) design. The DC battery return terminal *shall not* be connected to the chassis or frame ground.

Power supplies for the 9117-MMB or 9179-MHB

Learn about removing and replacing a power supply in a server. Learn about removing and replacing a power supply, fan, or input power distribution assembly in a 5802 or a 5877 expansion unit.

What's new in Power supplies

Read about new or changed information in Power supplies since the previous update of this topic collection.

March 2010

- Added information for IBM Power Systems™ servers that contain the POWER7® processor.
-

Removing the 9117-MMB or 9179-MHB power supply with the power turned off

If your system power is already turned off, or if you want to perform another service task with power turned off, learn how to remove a power supply with the system power turned off.

If your system is managed by the Hardware Management Console (HMC), use the HMC to remove a power supply. For instructions, see [Removing a part by using the Hardware Management Console](#).

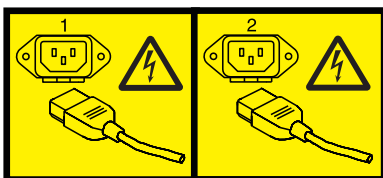
If your system is managed by the IBM Systems Director Management Console (SDMC), use the SDMC to remove a power supply in the server. For instructions, see [Removing a part by using the Systems Director Management Console](#).

If your system is not managed by an HMC or SDMC, complete the following steps to remove the power supply from a system while the system power is turned off:

1. Perform the prerequisite tasks, as described in [Before you begin](#).
2. Identify the failing part, as described in [Identifying a failing part](#).
3. If the system is running, stop the system as described in [Stopping the system or logical partition](#).
4. Open the back rack door.
5. Disconnect the power source from the system by unplugging the system, as described in [Disconnecting the power cords](#).

Note: This system is equipped with a second power supply. Before continuing with this procedure, disconnect all power sources to the system.

(L003)



or



6. Lift the tab (B) toward the power cord retainer (C) to release the power supply. Pull the power supply away from the system, as shown in Figure 1.

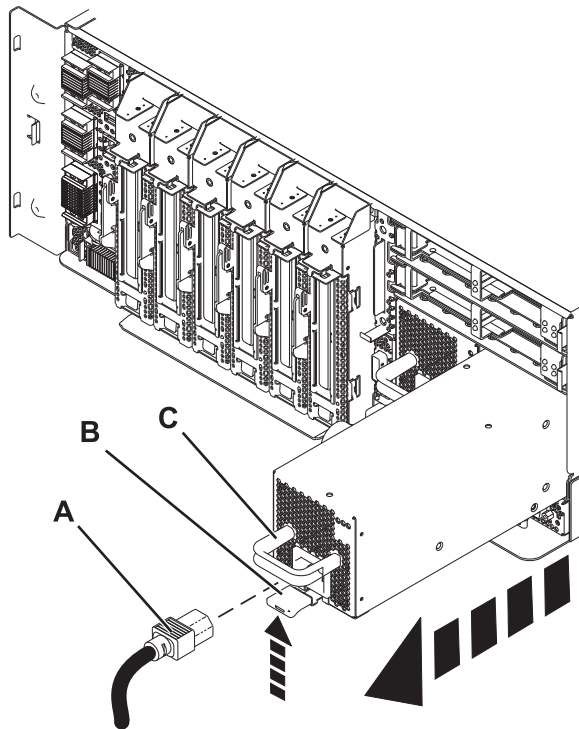


Figure 1. Removing the power supply

If you want to replace the power supply you removed, see “Replacing the 9117-MMB or 9179-MHB power supply with the power turned off” on page 4.

Related information

- Before you begin
- Identifying a failing part
- Stopping the system or logical partition

Removing the 9117-MMB or 9179-MHB power supply with the power turned on

Learn how to remove a power supply with the system power turned on if you want to replace a failing power supply, or as a part of another service action.

Attention: Two power supplies must be present in the system to power on the system unit. If one power supply fails, or you have a system failure that does not stop the fans, the system continues to operate. You can remove and replace the power supply with the system power turned on if it is done in less than 5 minutes. After 5 minutes, the system turns off the power to prevent the system from overheating. If the system power is turned off, go to “Removing the 9117-MMB or 9179-MHB power supply with the power turned off” on page 1.

If your system is managed by the Hardware Management Console (HMC), use the HMC to remove a power supply. For instructions, see Removing a part by using the Hardware Management Console.

If your system is managed by the IBM Systems Director Management Console (SDMC), use the SDMC to remove a power supply in the server. For instructions, see Removing a part by using the Systems Director Management Console.

If your system is not managed by an HMC or SDMC, complete the following steps to remove a power supply from a system while the system power is turned on:

1. Perform the prerequisite tasks, as described in Before you begin.
2. On a rack-mounted system unit, open the rear rack door.
3. Identify the failing part, as described in Identifying a failing part.
4. Disconnect the power source from the system by unplugging the system, as described in Disconnecting the power cords.
5. Attach the wrist strap.

Attention:

- Attach a wrist strap to an unpainted surface of your hardware to prevent electrostatic discharge (ESD) from damaging your hardware.
 - When using a wrist strap, follow all electrical safety procedures. A wrist strap is for static control. It does not increase or decrease your risk of receiving electric shock when using or working on electrical equipment.
 - If you do not have a wrist strap, just prior to removing the product from ESD packaging and installing or replacing hardware, touch an unpainted surface of the system for a minimum of 5 seconds.
6. Lift the tab **(B)** toward the power cord retainer **(C)** to release the power supply. Pull the power supply away from the system, as shown in Figure 2 on page 4.

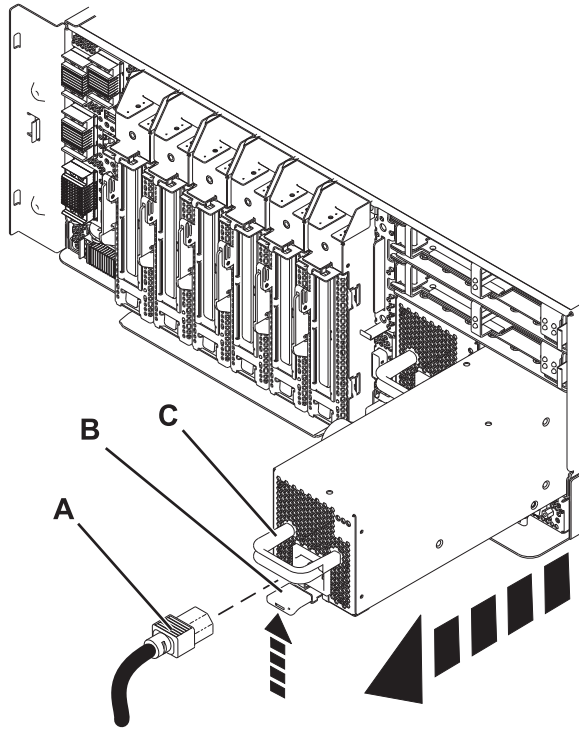


Figure 2. Removing the power supply

Note: When you remove a power supply with the system power turned on, an error is logged. No action is required for this error.

If you want to replace the power supply you removed, see “Replacing the 9117-MMB or 9179-MHB power supply with the power turned on” on page 6.

Related information

- [Before you begin](#)
- [Identifying a failing part](#)

Replacing the 9117-MMB or 9179-MHB power supply with the power turned off

Learn how to replace a power supply with the system power turned off.

If your system is managed by the Hardware Management Console (HMC), use the HMC to replace a power supply. For instructions, see Exchanging a part by using the Hardware Management Console.

If your system is managed by the IBM Systems Director Management Console (SDMC), use the SDMC to replace a power supply in the server. For instructions, see Replacing a part by using the Systems Director Management Console.

If your system is not managed by an HMC or SDMC, complete the following steps to replace a power supply in a system while the system power is turned off:

1. To remove the power supply, see “Removing the 9117-MMB or 9179-MHB power supply with the power turned off” on page 1.
2. Align the power supply with the bay and slide the new power supply into the system until it locks in place.

3. Connect the power cable **A** to the power supply.

Note: This system is equipped with a second power supply. Before continuing with this procedure, connect all power sources to the system.

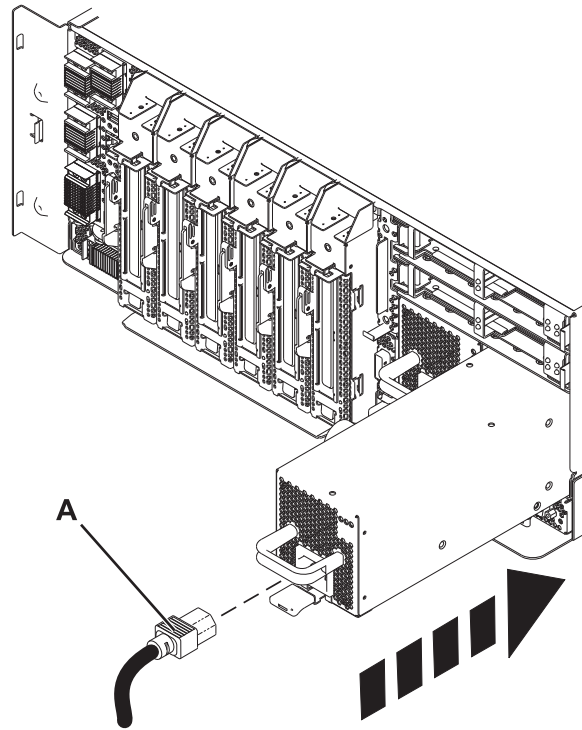
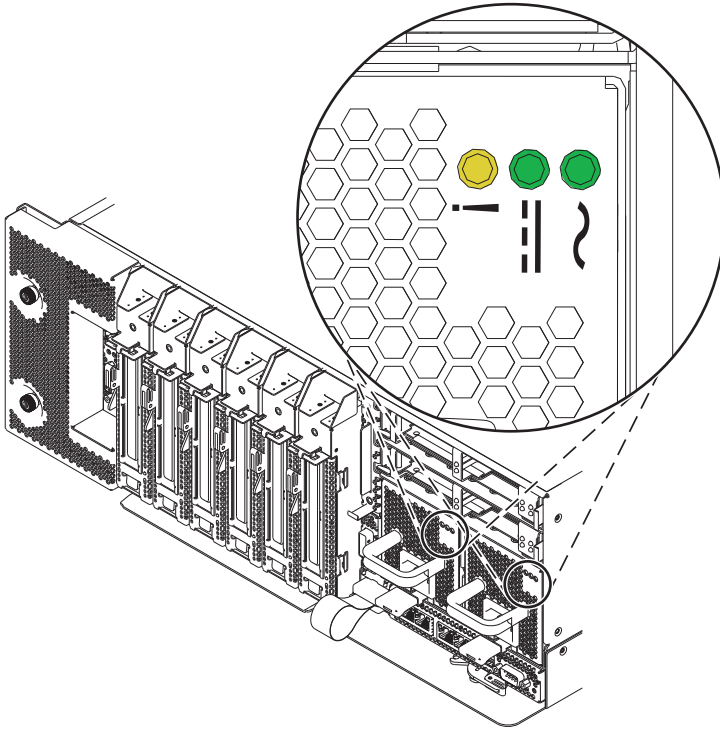


Figure 3. Replacing a power supply

4. Start the system, as described in Starting the system or logical partition.
5. Note the state of the light-emitting diodes (LEDs) on the power supply. For more information, see “Power supply LEDs” on page 8. If the LEDs indicate that the power supply is operating normally, that is, the AC input LED and the DC output LED are on solid (not flashing) and the fault/identify LED is flashing or off, continue to the next step. If not, remove the power supply from the system and repeat the procedure starting with step 2 on page 4. If, after repeating the procedure, the power supply is not operating normally, contact your service provider.

Figure 4. Power supply LEDs



6. Close the rear rack door.

Related information

 Starting the system or logical partition

Replacing the 9117-MMB or 9179-MHB power supply with the power turned on

Learn how to replace a power supply with the system power turned on.

Attention: Two power supplies must be present in the system to power on the system unit. If one power supply fails, or you have a system failure that does not stop the fans, the system continues to operate. You can remove and replace the power supply with the system power turned on if it is done in less than 5 minutes. After 5 minutes, the system turns off the power to prevent the system from overheating. If the system power is turned off, go to “Replacing the 9117-MMB or 9179-MHB power supply with the power turned off” on page 4.

If your system is managed by the Hardware Management Console (HMC), use the HMC to replace a power supply. For instructions, see *Exchanging a part by using the Hardware Management Console*.

If your system is managed by the IBM Systems Director Management Console (SDMC), use the SDMC to replace a power supply in the server. For instructions, see *Replacing a part by using the Systems Director Management Console*.

If your system is not managed by an HMC or SDMC, complete the following steps to replace a power supply in a system while the system power is turned on:

1. To remove the power supply, see “Removing the 9117-MMB or 9179-MHB power supply with the power turned on” on page 3.
2. Perform the prerequisite tasks, as described in *Before you begin*.
3. Attach the wrist strap.

Attention:

- Attach a wrist strap to an unpainted surface of your hardware to prevent electrostatic discharge (ESD) from damaging your hardware.
 - When using a wrist strap, follow all electrical safety procedures. A wrist strap is for static control. It does not increase or decrease your risk of receiving electric shock when using or working on electrical equipment.
 - If you do not have a wrist strap, just prior to removing the product from ESD packaging and installing or replacing hardware, touch an unpainted surface of the system for a minimum of 5 seconds.
4. Align the power supply with the power supply bay and slide the power supply into the system until it locks into place.
 5. Attach the power cable (A), as shown in Figure 5.

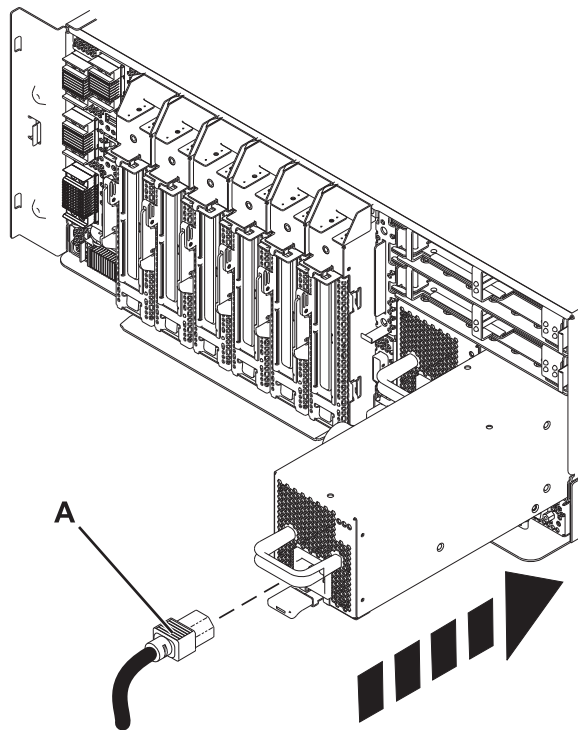


Figure 5. Replacing the power supply

6. Note the state of the light-emitting diodes (LEDs) on the power supply. For more information, see “Power supply LEDs” on page 8. If the LEDs indicate that the power supply is operating normally, that is, the AC input LED and the DC output LED are on solid (not flashing) and the fault/identify LED is flashing or off, continue to the next step. If not, remove the power supply from the system and repeat the procedure starting with step 4. If, after repeating the procedure, the power supply is not operating normally, contact your service provider.

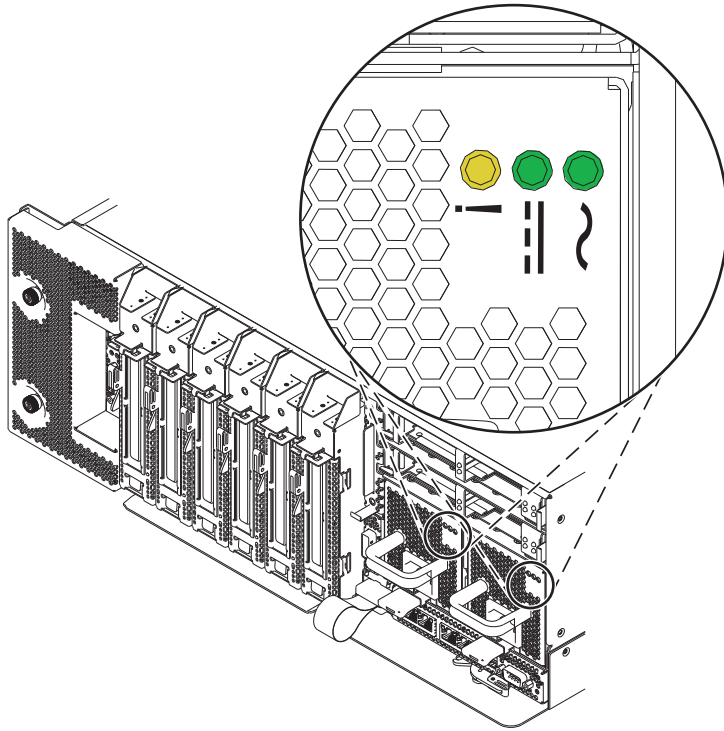


Figure 6. Power supply LEDs

7. Close the rear rack door.

Related information



Before you begin

Power supply LEDs

The various states of the power supply light-emitting diodes (LEDs) can be used to identify or verify a power supply that you are servicing.

The power supply has three LEDs that indicate the power supply status:

- an ac power LED (green, at the right of the 3 LEDs)
- a dc power LED (green, in the middle of the 3 LEDs)
- an error and identify function LED (amber, at the left of the 3 LEDs)

To locate the power supply LEDs, look on the top or at the back of an exposed power supply. You must remove covers or panels to expose the power supply. Follow the instructions to remove covers or panels for the power supply you are working with, and then return here.

To activate the identify function, see “Identifying a part” on page 36.

Descriptions for the states of the power supply LEDs follow:

- If both the ac power and dc power (**green**) LEDs are on solid (not flashing) and the error and identify function (**amber**) LED is off, the power supply is operating correctly.
- If the ac power LED is on, the dc power LED is flashing, and the error and identify function (**amber**) LED is off, then the system is turned off, but the power supply is still connected to the power source.
- If the error and identify function (**amber**) LED is flashing, the power supply identify function has been selected.

- If the error and identify function (**amber**) LED is flashing, the ac power LED is on solid and the dc power LED is off, the power supply is not operating correctly and has been identified for replacement.

Power supplies, fans, and input power distribution assemblies in a 5802 or 5877 expansion unit

Learn about removing and replacing a power supply, fan, or input power distribution assembly to replace a failing part or as part of another service action in a 5802 or 5877 expansion unit.

The power supply is located in an Offline Converter Assembly (OCA) in the 5802 expansion unit. The expansion unit has two OCAs, with each OCA consisting of a power supply and two fans. To remove or replace a failing fan, you must remove the affected power supply.

Removing a power supply or fan from a 5802 or 5877 expansion unit with the power turned on

Learn how to remove a power supply or power-supply fan from a 5802 or 5877 expansion unit if you need to replace a failing part with the power turned on.

If your system is managed by the Hardware Management Console (HMC), use the HMC to remove a power supply. For instructions, see *Removing a part by using the Hardware Management Console*.

If your system is managed by the IBM Systems Director Management Console (SDMC), use the SDMC to remove a power supply in the server. For instructions, see *Removing a part by using the Systems Director Management Console*.

Determine if you are able to perform this procedure concurrently Attention

Note: Two power supplies must be present in the expansion unit. If one power supply fails, the expansion unit continues to operate. If you are performing this procedure concurrently (with the power turned on), there is a time limit. From the moment the power supply is removed, the exchange of the power supply *must be completed in less than 5 minutes*. If you cannot replace the power supply in less than 5 minutes, the I/O drawer automatically shuts down.

Read the following steps, but do not perform them yet. Then decide if you are ready (and able) to complete this repair within 5 minutes.

1. Have the replacement power supply or fan ready.
2. Remove the power supply from the expansion unit.
3. Install the fan or fans into the power supply as required for the service procedure being performed.
4. Install the power supply into the enclosure.

Note: If you are replacing a midplane or a power supply, ensure that you only replace one of these parts at a time. If a midplane and both power supplies are replaced at the same time, the enclosure vital product data (VPD), which is present only in these entities, is lost. The enclosure VPD is the identity of the 5802 or 5877 enclosure.

If your system is not managed by the HMC or SDMC, complete the following steps to remove a power supply or fan from an expansion unit or system while the system power is turned on:

1. Perform the prerequisite tasks, as described in *Before you begin*.
2. Open the front rack door.
3. Identify the failing part, as described in *Identifying a failing part*.
4. At the front of the expansion unit, identify the power supply that must be replaced. To identify the power supply, observe the state of the amber field-replaceable unit (FRU) fault and identify

light-emitting diode (LED) (A) as shown in Figure 7. A lit (flashing or on solid) LED indicates the failing power supply.

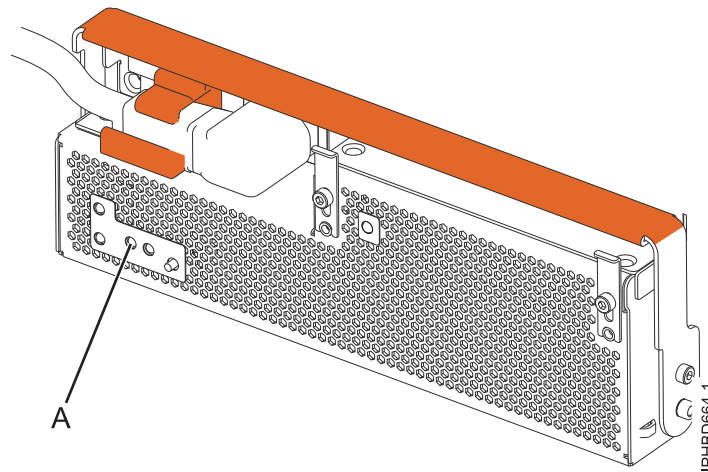


Figure 7. FRU fault and identify LED

5. For the power supply that you want to remove, slide the cable retention bracket to the open position (A), and then disconnect the power cable (B) as shown in Figure 8. By moving the bracket to the open position, you turn the power supply off.

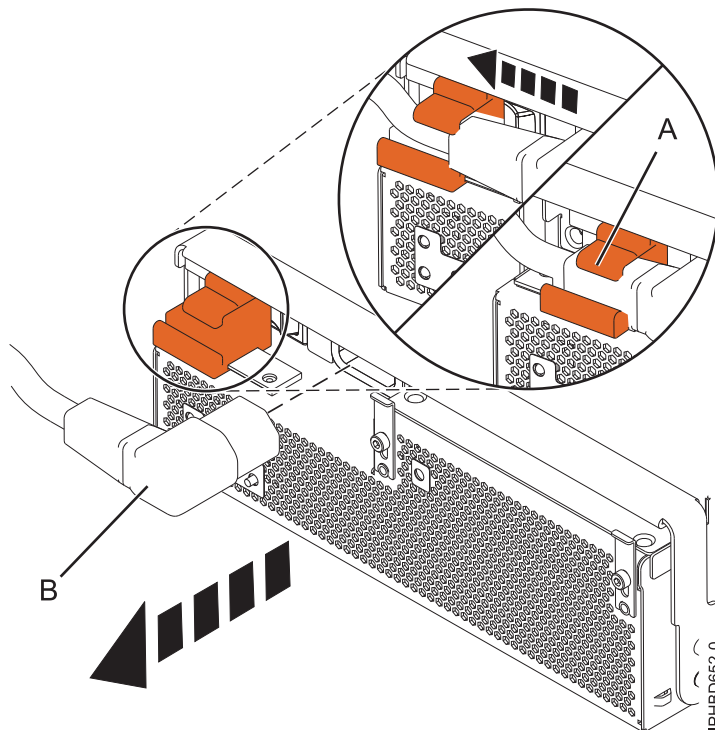


Figure 8. Disconnecting the power cable from the front of an expansion unit

6. Attach the wrist strap.

Attention:

- Attach a wrist strap to an unpainted surface of your hardware to prevent electrostatic discharge (ESD) from damaging your hardware.
 - When using a wrist strap, follow all electrical safety procedures. A wrist strap is for static control. It does not increase or decrease your risk of receiving electric shock when using or working on electrical equipment.
 - If you do not have a wrist strap, just prior to removing the product from ESD packaging and installing or replacing hardware, touch an unpainted surface of the system for a minimum of 5 seconds.
7. Rotate the power-supply locking handle (A) to the open position as shown in Figure 9. Pull the power supply out of the expansion unit.

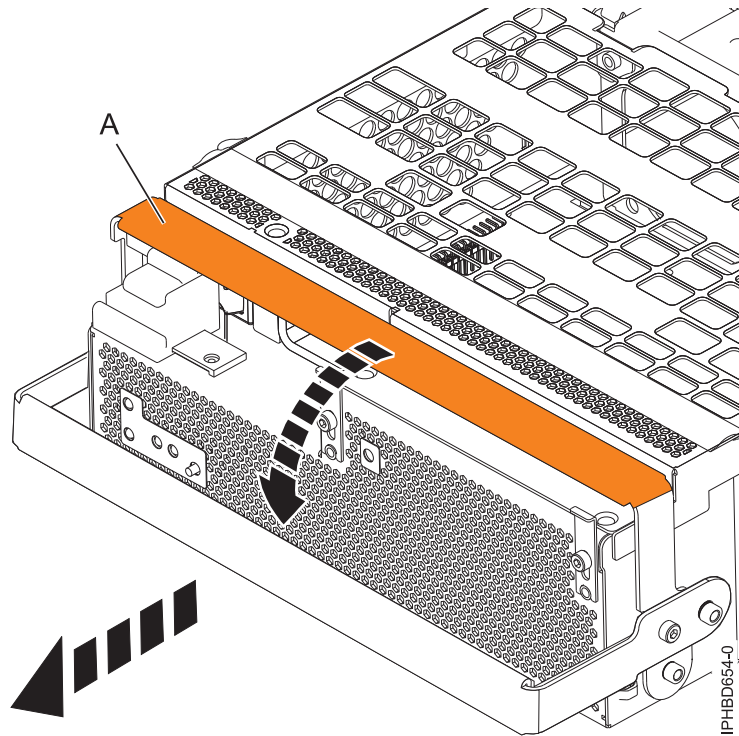


Figure 9. Removing a power supply

8. Optional: If you want to remove a failing power-supply fan, complete the following steps:

Note: If a fan fails, the amber fan fault LED (B) on the front of the Offline Converter Assembly (OCA), as shown in Figure 10 on page 12, is on solid.

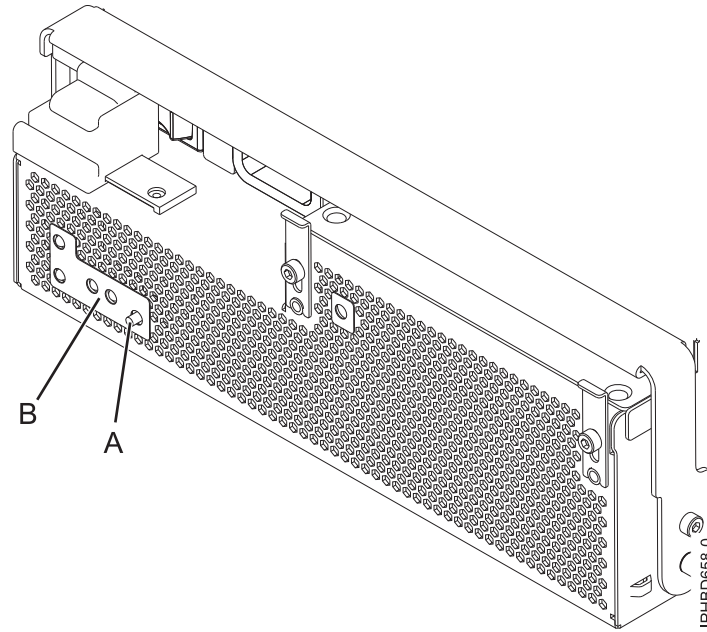


Figure 10. Fan fault LED and fan identify button

- a. To identify the failing fan, press the fan identify button (A), as shown in Figure 10. An amber left or right fan-fault LED (C) on solid, as shown in Figure 11, indicates the faulty fan.

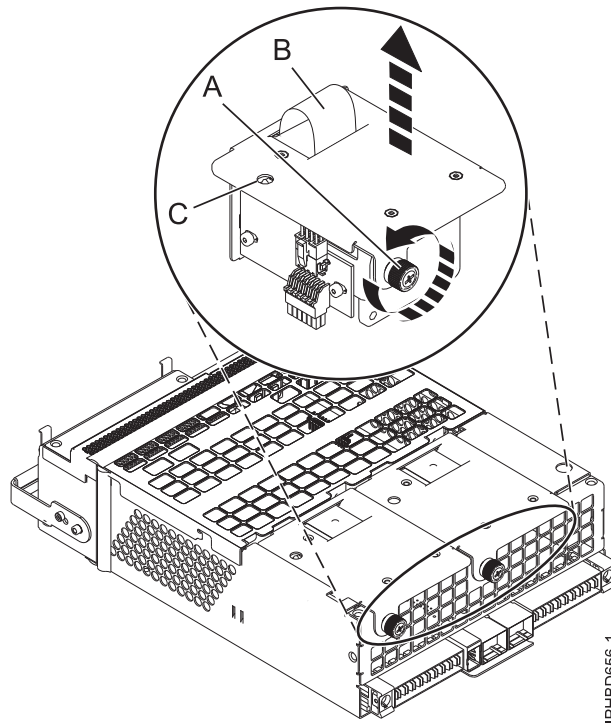



Figure 11. Removing a fan


- b. Loosen the thumbscrew (A) that holds the fan in the power-supply assembly, as shown in Figure 11.

- c. Use the recessed fan handle **(B)** to lift the fan from the power-supply assembly, as shown in Figure 11 on page 12.

If you removed the power supply or fan as part of another service action, or if you want to replace the power supply or fan that you removed from an expansion unit, see *Replacing a power supply or fan in a 5802 or 5877 expansion unit with the power turned on*.

Related information

 Before you begin

 Identifying a failing part

Removing a power supply or fan from a 5802 or 5877 expansion unit with power turned off

Learn how to remove a power supply or power-supply fan from a 5802 or 5877 expansion unit if you want to replace a failing part with the power turned off.

If your system is managed by the Hardware Management Console (HMC), use the HMC to remove a power supply. For instructions, see *Removing a part by using the Hardware Management Console*.

If your system is managed by the IBM Systems Director Management Console (SDMC), use the SDMC to remove a power supply in the server. For instructions, see *Removing a part by using the Systems Director Management Console*.

If your system is not managed by the HMC or SDMC, complete the following steps to remove a power supply or fan from an expansion unit or system while the system power is turned off:

1. Perform the prerequisite tasks, as described in *Before you begin*.
2. Open the front rack door.
3. Identify the failing part, as described in *Identifying a failing part*.
4. At the front of the expansion unit, identify the power supply that needs to be replaced. To identify the power supply, observe the state of the amber field-replaceable unit (FRU) fault and identify light-emitting diode (LED) **(A)** as shown in Figure 12. A lit (on solid or flashing) LED indicates the failing power supply.

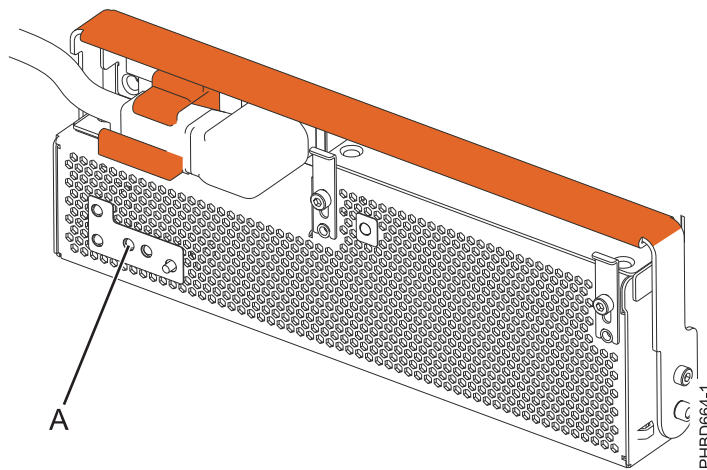


Figure 12. FRU fault and identify LED

5. If the system is running, stop the system as described in *Stopping the system or logical partition*.

- At the front of the expansion unit, slide the cable retention bracket for the power supply that you want to remove, to the open position (A). Disconnect the cable (B) as shown in Figure 13.

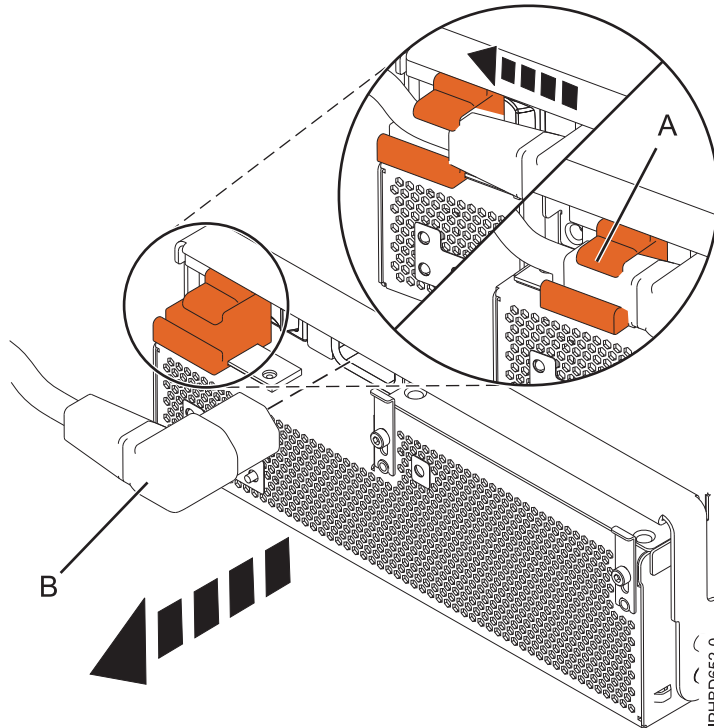


Figure 13. Disconnecting the power cable from the front of an expansion unit

- Attach the wrist strap.

Attention:

- Attach a wrist strap to an unpainted surface of your hardware to prevent electrostatic discharge (ESD) from damaging your hardware.
 - When using a wrist strap, follow all electrical safety procedures. A wrist strap is for static control. It does not increase or decrease your risk of receiving electric shock when using or working on electrical equipment.
 - If you do not have a wrist strap, just prior to removing the product from ESD packaging and installing or replacing hardware, touch an unpainted surface of the system for a minimum of 5 seconds.
- Rotate the power supply locking handle (A) to the open position, as shown in Figure 14 on page 15. Pull out the power supply from the expansion unit.

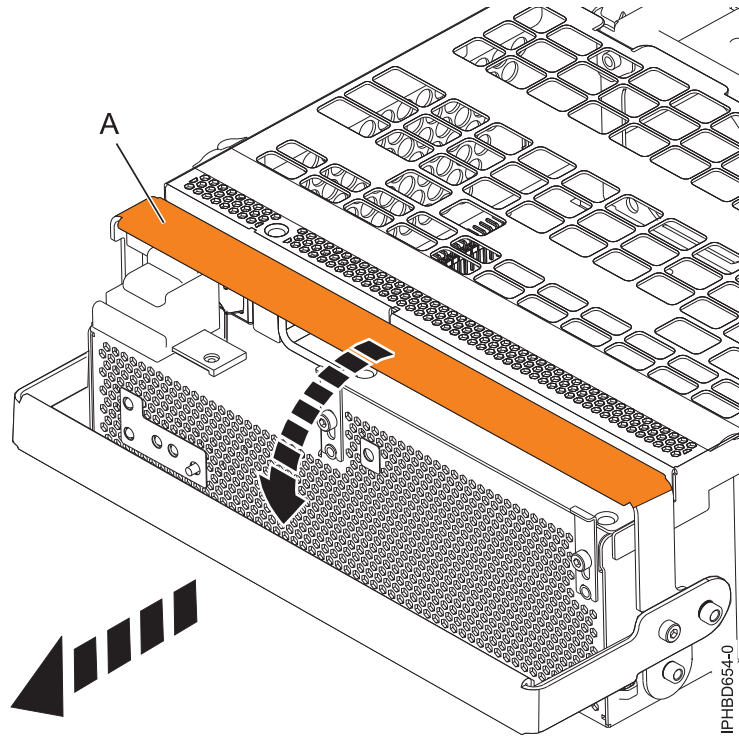


Figure 14. Removing a power supply

9. Optional: If you want to remove a failing power-supply fan, complete the following steps:

Note: If a fan fails, the amber fan fault LED on the front of the Offline Converter Assembly (OCA) (B), shown in Figure 15, is on solid.

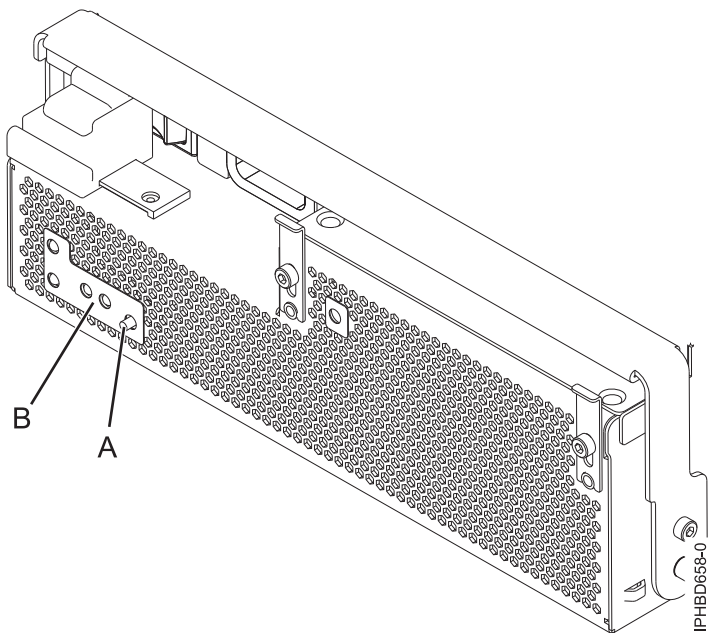


Figure 15. Fan fault LED and fan identify button

- a. Identify the failing fan by pressing the fan identify button (A) shown in Figure 15 on page 15. An amber left or right fan-fault LED (C) on solid, as shown in Figure 16, indicates the faulty fan.

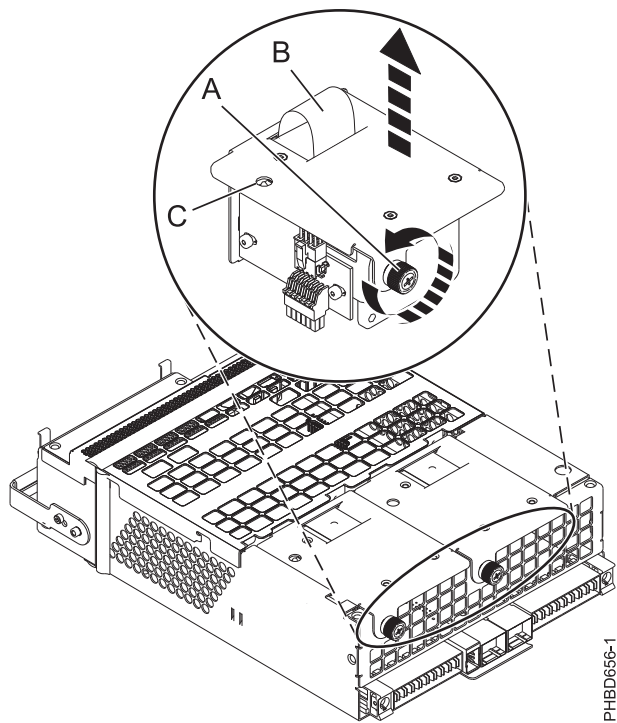





Figure 16. Removing a power supply fan

- b. Loosen the thumbscrew (A) that holds the fan in the power-supply assembly, as shown in Figure 16.
- c. Use the recessed fan handle (B) to pull the fan out of the power-supply assembly, as shown in Figure 16.

If you removed the power supply or fan as part of another service action, or if you want to replace the power supply or fan that you removed from the expansion unit, see “Replacing a power supply or fan in a 5802 or 5877 expansion unit with power turned off” on page 21.

Related information

-  Before you begin
-  Identifying a failing part
-  Stopping the system or logical partition

Replacing a power supply or fan in a 5802 or 5877 expansion unit with the power turned on

Learn how to replace a power supply or power-supply fan in a 5802 or 5877 expansion unit if you removed a failing part and want to replace the power-supply assembly with the power turned on.

If your system is managed by the Hardware Management Console (HMC), use the HMC to replace a power supply. For instructions, see Exchanging a part by using the Hardware Management Console.

If your system is managed by the IBM Systems Director Management Console (SDMC), use the SDMC to replace a power supply in the server. For instructions, see Replacing a part by using the Systems Director Management Console.

Determine if you are able to perform this procedure concurrently

Attention: Two power supplies must be present in the expansion unit. If one power supply fails, the expansion unit continues to operate. If you are performing this procedure concurrently (with the power turned on), there is a time limit. From the moment the power supply is removed, the exchange of the power supply *must be completed in less than 5 minutes*. If you cannot replace the power supply in less than 5 minutes, the I/O drawer automatically shuts down.

Before installing or reinstalling a power supply, inspect the signal connector pins to ensure that the pins are not bent or damaged.

Attention: Bent pins damage the midplane receptacle. Be careful not to touch or damage the signal connector pins.

Read the following steps, but do not perform them yet. Then decide if you are ready (and able) to complete this repair within 5 minutes.

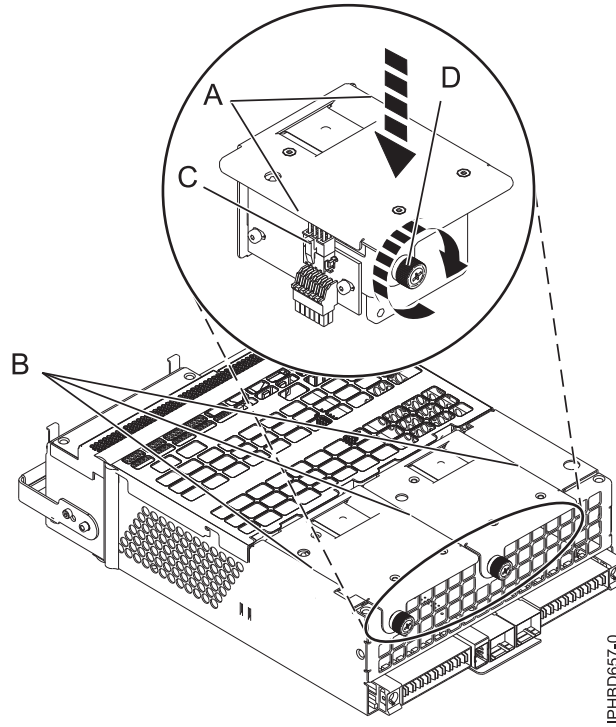
1. Have the replacement power supply or fan ready.
2. Remove the power supply from the expansion unit.
3. Install the fan or fans into the power supply as required for the service procedure being performed.
4. Install the power supply into the enclosure.

If your system is not managed by the HMC or SDMC, complete the following steps to replace the power supply in an expansion unit or system while the system power is turned on:

1. If you are replacing a power supply or power-supply fan because of a failure, remove the failing part as described in Removing a power supply or fan from a 5802 or 5877 expansion unit with the power turned on.
2. Perform the prerequisite tasks, as described in Before you begin.
3. Open the front rack door.
4. Attach the wrist strap.

Attention:

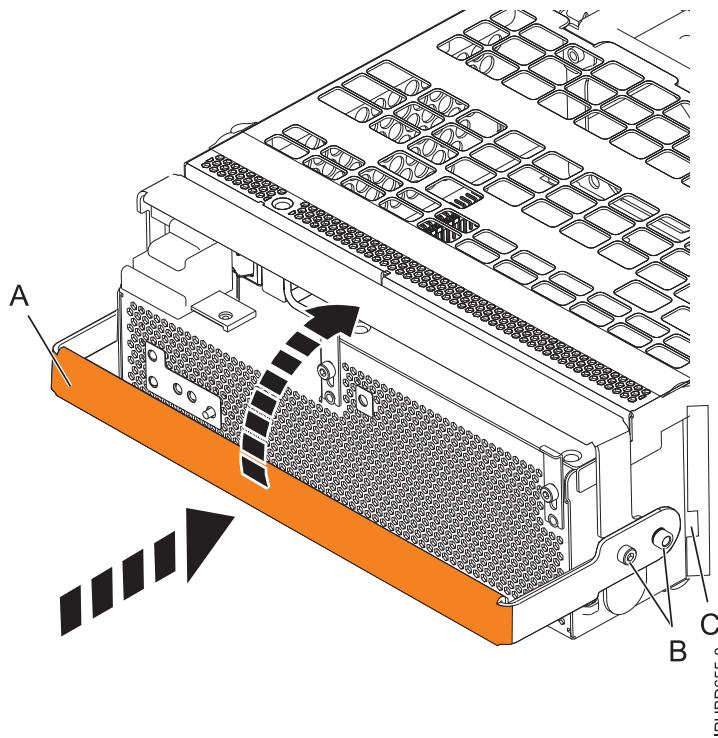
- Attach a wrist strap to an unpainted surface of your hardware to prevent electrostatic discharge (ESD) from damaging your hardware.
 - When using a wrist strap, follow all electrical safety procedures. A wrist strap is for static control. It does not increase or decrease your risk of receiving electric shock when using or working on electrical equipment.
 - If you do not have a wrist strap, just prior to removing the product from ESD packaging and installing or replacing hardware, touch an unpainted surface of the system for a minimum of 5 seconds.
5. Optional: If you must replace a failing power-supply fan, complete the following steps:
 - a. Align the new fan with the opening in the power-supply assembly.
 - b. Press the fan (**A**) into its connector in the assembly as shown in Figure 17 on page 18.
 - c. Tighten the thumbscrew (**D**) as shown in Figure 17 on page 18.



IPHBD657-0

Figure 17. Replacing a fan

- To replace the power supply, with the locking handle (A) in the open position, push the power supply into the expansion unit as shown in Figure 18.



IPHBD655-0

Figure 18. Replacing a power supply

- Close the locking handle (A) until the power supply locks into position.

8. Reconnect the power cable **(A)** to the front of the power supply, and then slide the cable retention bracket **(B)** to the closed position to secure the cable as shown in Figure 19. By moving the bracket to the closed position, you turn on the power supply.

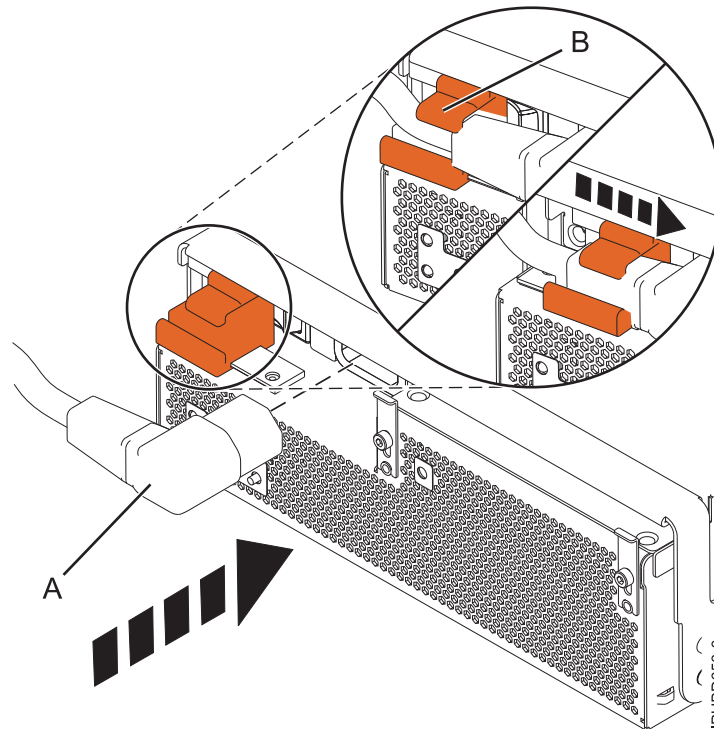


Figure 19. Connecting the power cable to the front of an expansion unit

9. Note the state of the green ac power in **(A)** and Offline Converter Assembly (OCA) power **(B)** light-emitting diodes (LEDs) shown in Figure 20 on page 20, and do one of the following actions, as applicable:
 - If the LEDs indicate that the power supply is operating normally, that is, that the ac power in LED **(A)** is on solid and the OCA power **(B)** LED is on solid or flashing, continue to the next step.
 - If not, remove the power supply from the expansion unit and repeat the procedure starting with step 6 on page 18. If, after repeating the procedure, the power supply is not operating normally, contact your service provider.

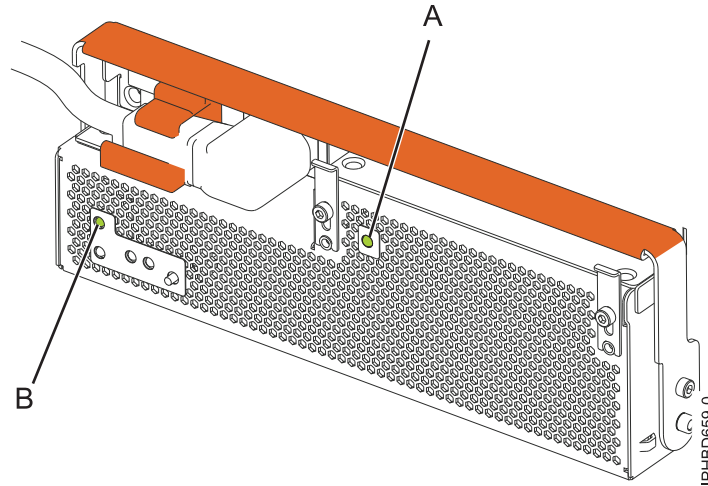


Figure 20. Expansion unit ac power and OCA power LEDs

Note: If you replaced a power-supply fan as part of this procedure, note the state of the fan fault LED (**B**) shown in Figure 21. If the LED is off, indicating that both fans are operating normally, continue to the next step. If not, remove the power-supply assembly from the expansion unit and repeat the procedure starting with step 5 on page 17. If, after repeating the procedure, the power-supply fan is not operating normally, contact your service provider.

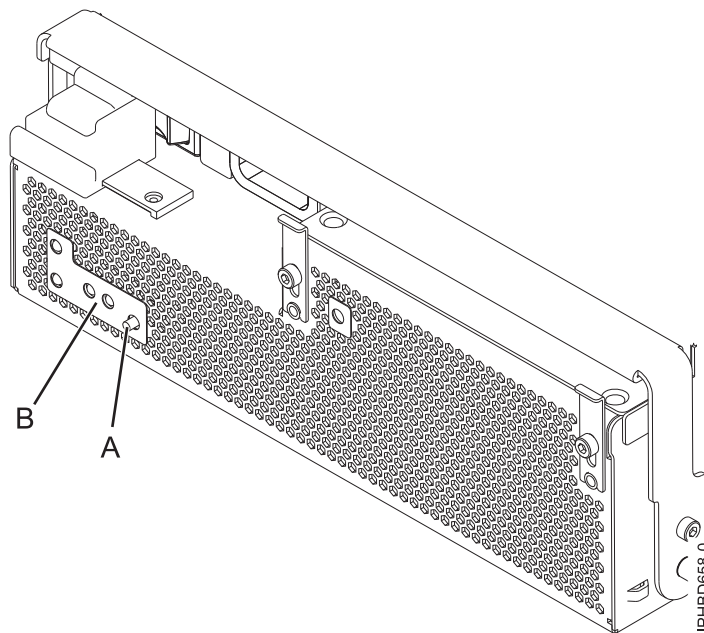



Figure 21. Fan fault LED

10. Verify the installed part, as described in Verifying the installed part.
11. Close the front rack door.

Continue with any other service actions you want to perform.

Related information

 Before you begin

Replacing a power supply or fan in a 5802 or 5877 expansion unit with power turned off

Learn how to replace a power supply or power-supply fan in a 5802 or 5877 expansion unit if you removed a failing part and want to replace the power supply assembly with the power turned off.

If your system is managed by the Hardware Management Console (HMC), use the HMC to replace a power supply. For instructions, see *Exchanging a part by using the Hardware Management Console*.

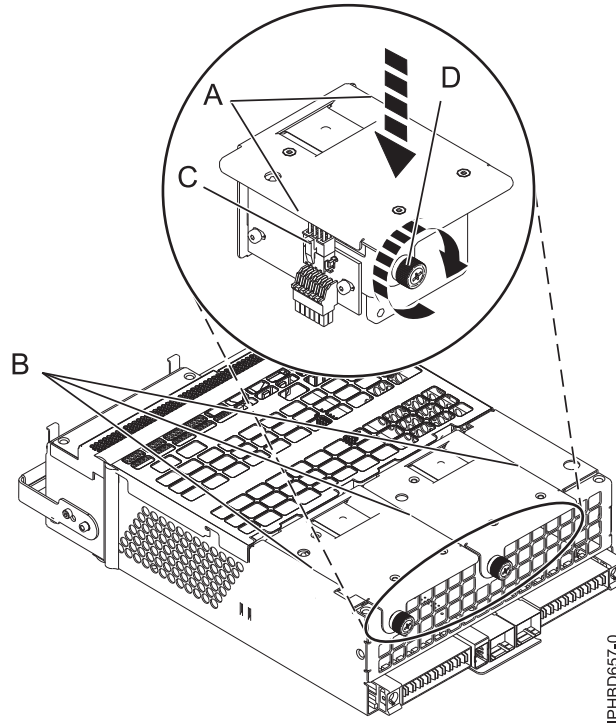
If your system is managed by the IBM Systems Director Management Console (SDMC), use the SDMC to replace a power supply in the server. For instructions, see *Replacing a part by using the Systems Director Management Console*.

If your system is not managed by the HMC or SDMC, complete the following steps to replace the power supply in an expansion unit or system while the system power is turned off:

1. If you are replacing a power supply or power-supply fan because of a failure, remove the failing part as described in “Removing a power supply or fan from a 5802 or 5877 expansion unit with power turned off” on page 13.
2. Perform the prerequisite tasks, as described in *Before you begin*.
3. Open the front rack door if it is not already open.
4. Attach the wrist strap.

Attention:

- Attach a wrist strap to an unpainted surface of your hardware to prevent electrostatic discharge (ESD) from damaging your hardware.
 - When using a wrist strap, follow all electrical safety procedures. A wrist strap is for static control. It does not increase or decrease your risk of receiving electric shock when using or working on electrical equipment.
 - If you do not have a wrist strap, just prior to removing the product from ESD packaging and installing or replacing hardware, touch an unpainted surface of the system for a minimum of 5 seconds.
5. Optional: If you want to replace a failing power-supply fan, complete the following steps:
 - a. Align the new fan with the opening in the power-supply assembly.
 - b. Press the fan (**A**) into its connector in the assembly, as shown in Figure 22 on page 22.



IPHBD657-0

Figure 22. Replacing a fan

- c. Tighten the thumbscrew **(D)** as shown in Figure 22.
6. To replace the power supply, with the locking handle **(A)** in the open position, push the power supply into the expansion unit as shown in Figure 23 on page 23.
7. Close the locking handle **(A)** until the power supply locks into position.

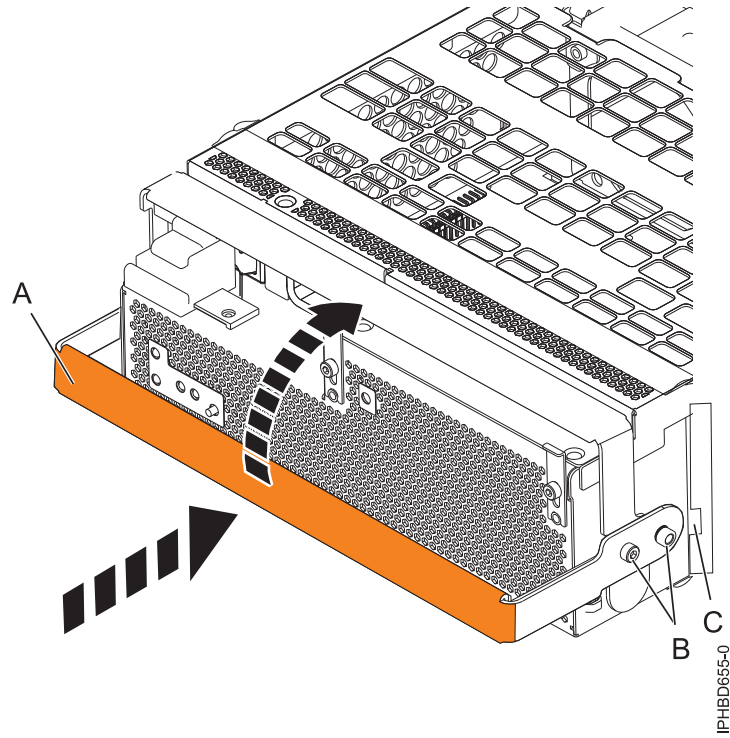


Figure 23. Replacing a power supply

8. Connect the power cable (A) to the front of the power supply, and then slide the cable retention bracket (B) to the closed position to secure the cable as shown in Figure 24.

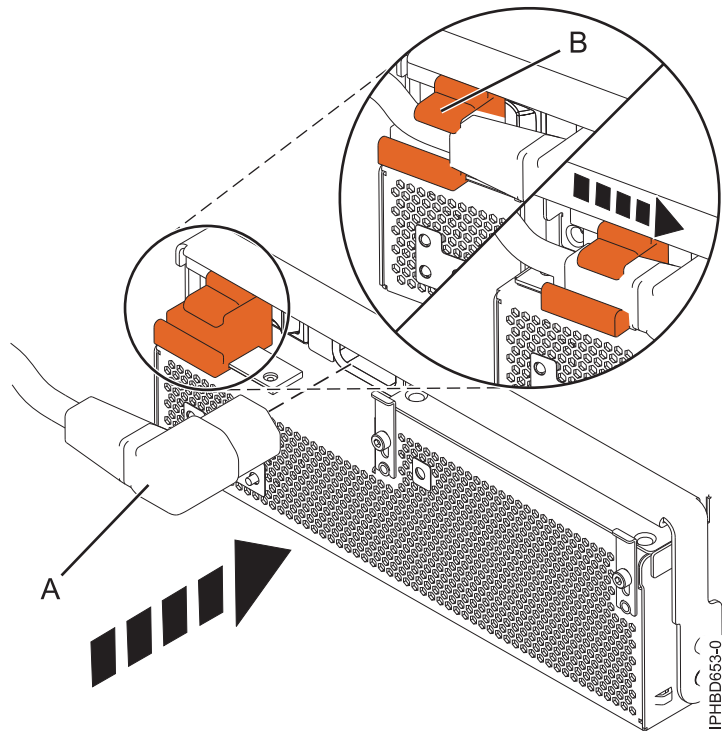


Figure 24. Connecting the power cable to the front of an expansion unit

9. Start the system, as described in Starting the system or logical partition.

10. Note the state of the green ac power in (A) and Offline Converter Assembly (OCA) power (B) light-emitting diodes (LEDs) shown in Figure 25, and do one of the following actions, as applicable:
- If the LEDs indicate that the power supply is operating normally, that is, that the ac power in LED (A) is on solid and the OCA power (B) LED is on solid or flashing, continue to the next step.
 - If not, remove the power supply from the expansion unit and repeat the procedure starting with step 6 on page 22. If, after repeating the procedure, the power supply is not operating normally, contact your service provider.

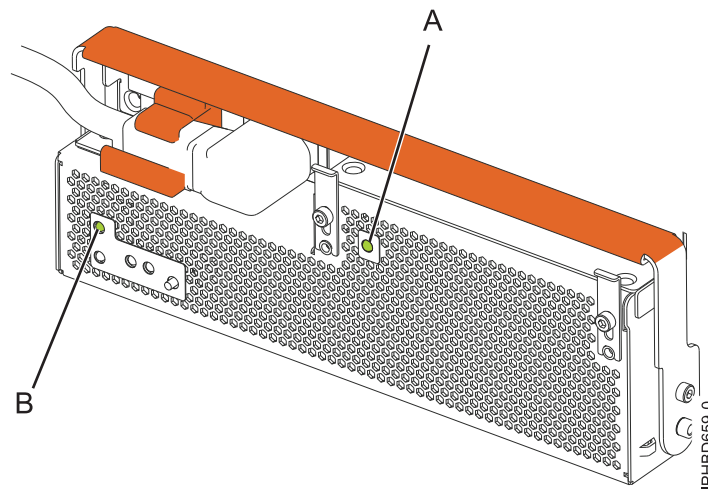


Figure 25. Expansion unit ac power and OCA power LEDs

Note: If you replaced a power supply fan as part of this procedure, note the state of the fan fault LED (B) shown in Figure 26 on page 25. If the LED is off, indicating that both fans are operating normally, continue to the next step. If not, remove the power supply assembly from the expansion unit and repeat the procedure starting with step 5 on page 21. If, after repeating the procedure, the power supply fan is not operating normally, contact your service provider.

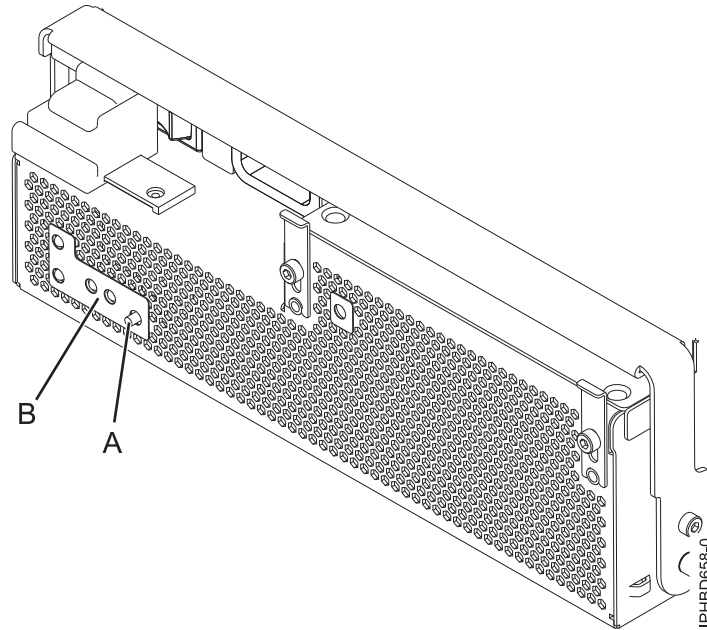




Figure 26. Fan fault LED

11. Verify the installed part, as described in Verifying the installed part.
12. Close the front rack door.

Continue with any other service actions you need to perform.

Related information

-  Starting the system or logical partition
-  Verifying the installed part

Removing an input power distribution assembly from a 5802 or 5877 expansion unit with the power turned off

Learn how to remove an input power distribution assembly from a 5802 or 5877 expansion unit if you must replace a failing assembly.

If your system is managed by the Hardware Management Console (HMC), use the HMC to remove an input power distribution assembly. For instructions, see [Removing a part by using the Hardware Management Console](#).

If your system is managed by the IBM Systems Director Management Console (SDMC), use the SDMC to complete the steps for removing a power supply in the server. For instructions, see [Removing a part by using the Systems Director Management Console](#).

To remove an input power distribution assembly from an expansion unit for a system that is not managed by the HMC or SDMC, complete the following steps:

1. Perform the prerequisite tasks, as described in [Before you begin](#).
2. Identify the failing part, as described in [Identifying a failing part](#).
3. If the system is running, stop the system as described in [Stopping the system or logical partition](#).
4. Open the rear rack door.

- At the rear of the expansion unit, disconnect both of the power cables, as shown in Figure 27.

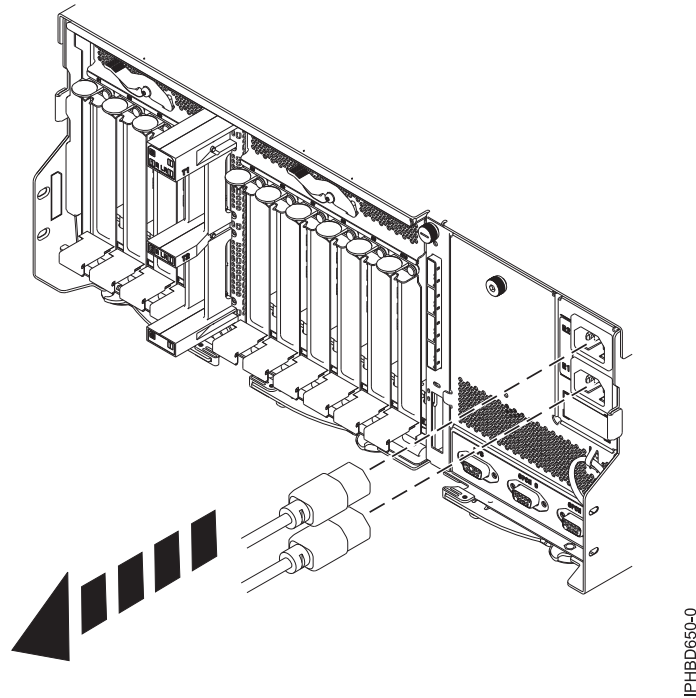


Figure 27. Disconnecting the power cables from the rear of an expansion unit

- Attach the wrist strap.

Attention:

- Attach a wrist strap to an unpainted surface of your hardware to prevent electrostatic discharge (ESD) from damaging your hardware.
 - When using a wrist strap, follow all electrical safety procedures. A wrist strap is for static control. It does not increase or decrease your risk of receiving electric shock when using or working on electrical equipment.
 - If you do not have a wrist strap, just prior to removing the product from ESD packaging and installing or replacing hardware, touch an unpainted surface of the system for a minimum of 5 seconds.
- On the input power distribution assembly cover, loosen the thumbscrew **(A)**, and then remove the cover as shown in Figure 28 on page 27.

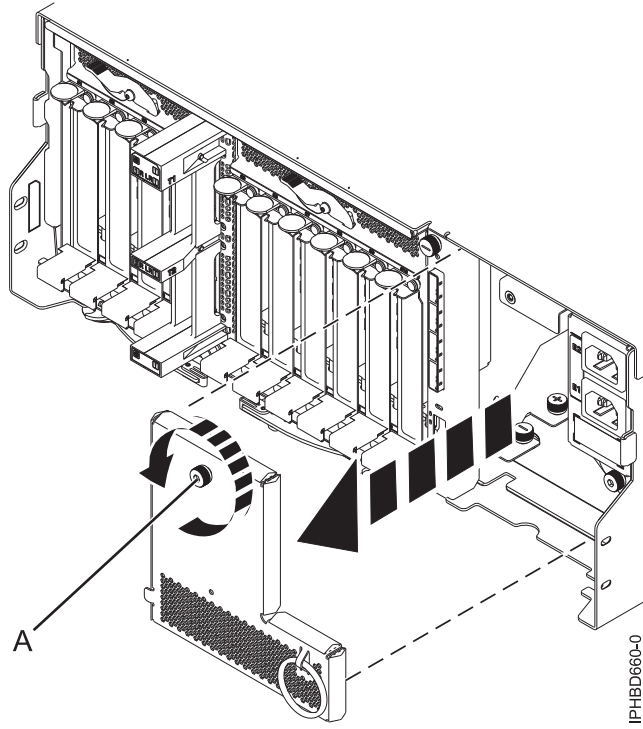


Figure 28. Removing an input power distribution assembly cover

8. Loosen the thumbscrew (**B**) on the input power distribution assembly. Pull out the assembly from the expansion unit, as shown in Figure 29.

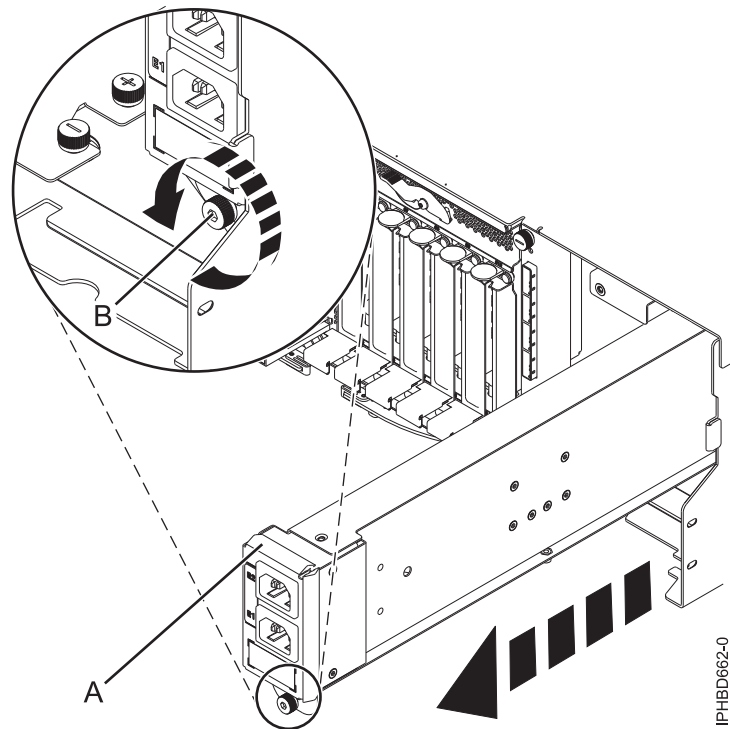


Figure 29. Removing an input power distribution assembly

To replace an input power distribution assembly, see “Replacing an input power distribution assembly in a 5802 or 5877 expansion unit with the power turned off.”

Related information



Before you begin



Identifying a failing part



Stopping the system or logical partition

Replacing an input power distribution assembly in a 5802 or 5877 expansion unit with the power turned off

Learn how to replace an input power distribution assembly in a 5802 or 5877 expansion unit if you removed a failing assembly and must replace it.

If your system is managed by the Hardware Management Console (HMC), use the HMC to replace an input power distribution assembly. For instructions, see *Exchanging a part by using the Hardware Management Console*.

If your system is managed by the IBM Systems Director Management Console (SDMC), use the SDMC to complete the steps for replacing a power supply in the server. For instructions, see *Replacing a part by using the Systems Director Management Console*.

To replace an input power distribution assembly in an expansion unit for a system that is not managed by the HMC or SDMC, complete the following steps:

1. If you are replacing an input power distribution assembly because of a failure, remove the failing part, as described in “Removing an input power distribution assembly from a 5802 or 5877 expansion unit with the power turned off” on page 25.
2. Perform the prerequisite tasks, as described in *Before you begin*.
3. Open the rear rack door.
4. Attach the wrist strap.

Attention:

- Attach a wrist strap to an unpainted surface of your hardware to prevent electrostatic discharge (ESD) from damaging your hardware.
 - When using a wrist strap, follow all electrical safety procedures. A wrist strap is for static control. It does not increase or decrease your risk of receiving electric shock when using or working on electrical equipment.
 - If you do not have a wrist strap, just prior to removing the product from ESD packaging and installing or replacing hardware, touch an unpainted surface of the system for a minimum of 5 seconds.
5. Push the input power distribution assembly into the expansion unit until it latches into place, and then tighten the thumbscrew (A) to secure the assembly in place as shown in Figure 30 on page 29.

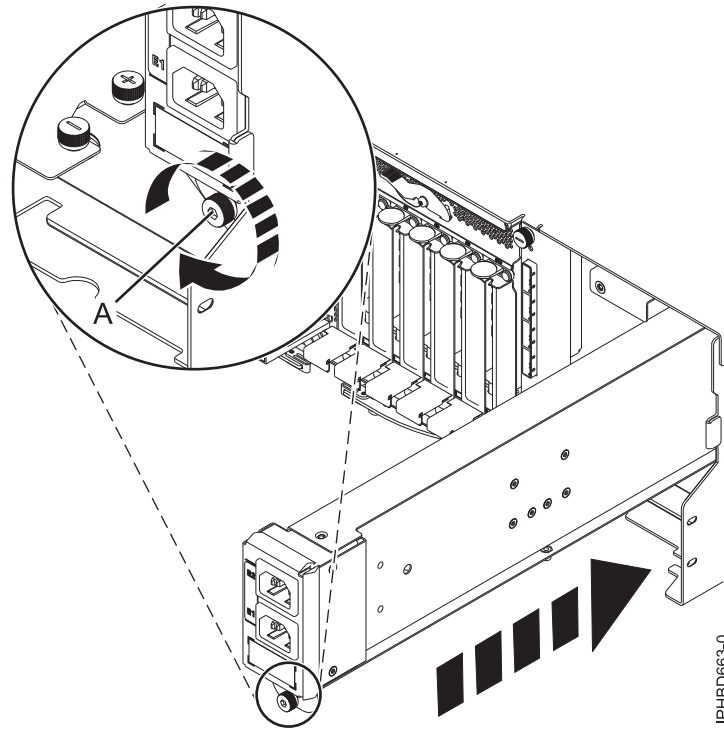


Figure 30. Replacing an input power distribution assembly

6. Replace the input power distribution assembly cover, and then tighten the thumbscrew (A) as shown in Figure 31.

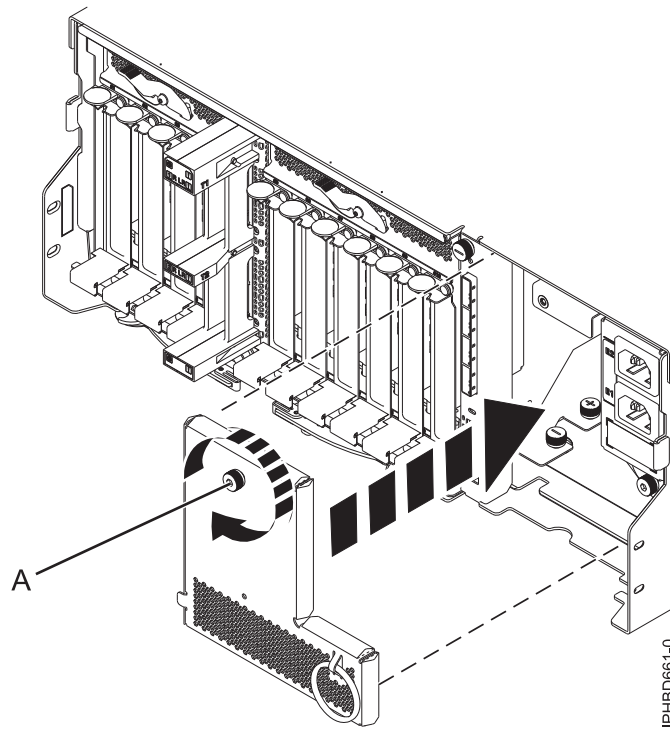
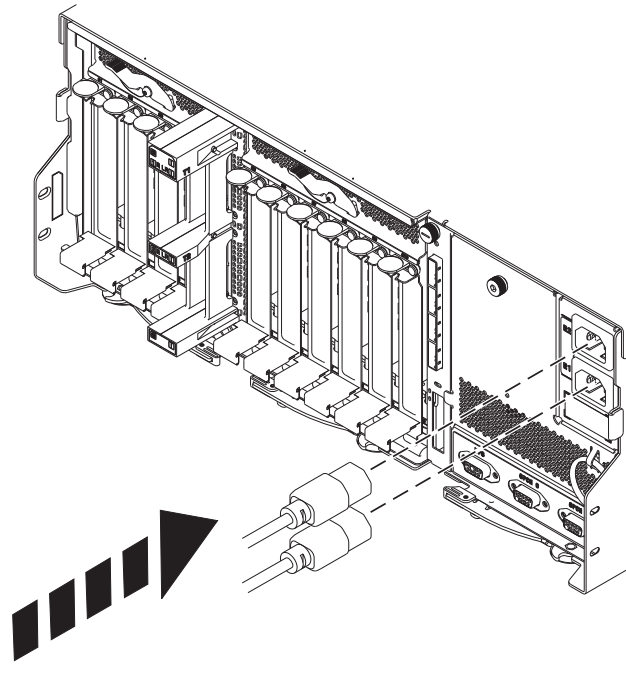


Figure 31. Replacing an input power distribution assembly cover

7. At the rear of the expansion unit, connect both of the power cables, as shown in Figure 32.






IPHBD651-0

Figure 32. Connecting the power cables at the rear of an expansion unit

8. Close the rear rack door.
9. Start the system, as described in Starting the system or logical partition.
10. Verify the installed part, as described in Verifying the installed part.

Continue with any other service actions you want to perform.

Related information

-  Starting the system or logical partition
-  Stopping the system or logical partition
-  Verifying the installed part

Replacing an input power distribution assembly in a 5802 or 5877 expansion unit with the power turned off

Learn how to replace an input power distribution assembly in a 5802 or 5877 expansion unit if you removed a failing assembly and must replace it.

If your system is managed by the Hardware Management Console (HMC), use the HMC to replace an input power distribution assembly. For instructions, see Exchanging a part by using the Hardware Management Console.

If your system is managed by the IBM Systems Director Management Console (SDMC), use the SDMC to complete the steps for replacing a power supply in the server. For instructions, see Replacing a part by using the Systems Director Management Console.

To replace an input power distribution assembly in an expansion unit for a system that is not managed by the HMC or SDMC, complete the following steps:

1. If you are replacing an input power distribution assembly because of a failure, remove the failing part, as described in “Removing an input power distribution assembly from a 5802 or 5877 expansion unit with the power turned off” on page 25.
2. Perform the prerequisite tasks, as described in Before you begin.
3. Open the rear rack door.
4. Attach the wrist strap.

Attention:

- Attach a wrist strap to an unpainted surface of your hardware to prevent electrostatic discharge (ESD) from damaging your hardware.
 - When using a wrist strap, follow all electrical safety procedures. A wrist strap is for static control. It does not increase or decrease your risk of receiving electric shock when using or working on electrical equipment.
 - If you do not have a wrist strap, just prior to removing the product from ESD packaging and installing or replacing hardware, touch an unpainted surface of the system for a minimum of 5 seconds.
5. Push the input power distribution assembly into the expansion unit until it latches into place, and then tighten the thumbscrew (A) to secure the assembly in place as shown in Figure 30 on page 29.

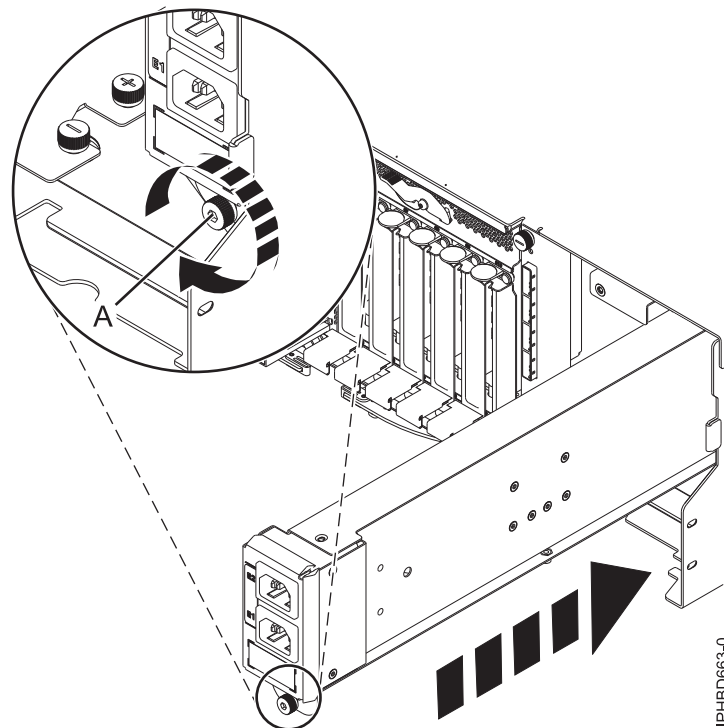


Figure 33. Replacing an input power distribution assembly

6. Replace the input power distribution assembly cover, and then tighten the thumbscrew (A) as shown in Figure 31 on page 29.

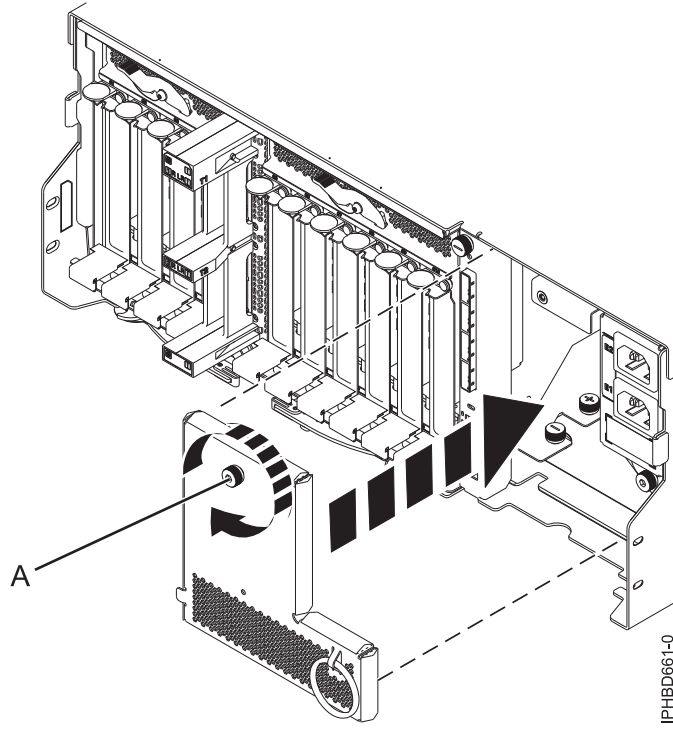


Figure 34. Replacing an input power distribution assembly cover

7. At the rear of the expansion unit, connect both of the power cables, as shown in Figure 32 on page 30.

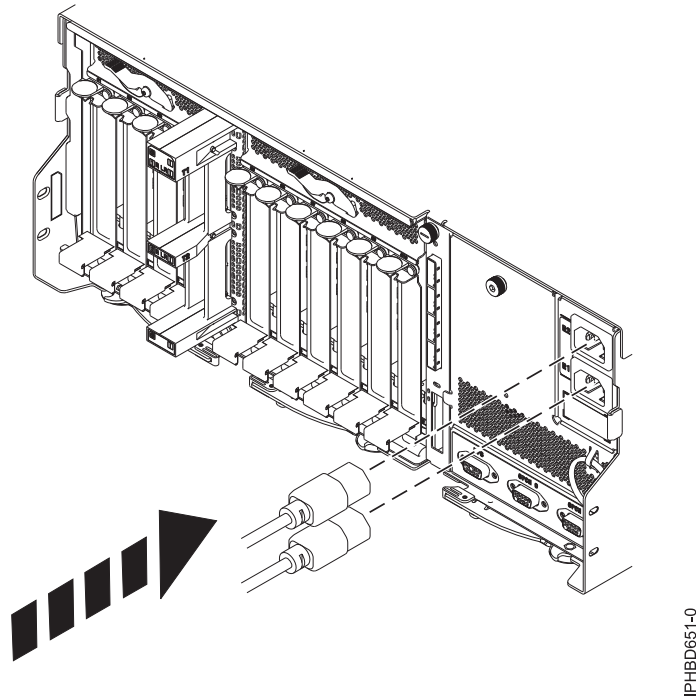





Figure 35. Connecting the power cables at the rear of an expansion unit

8. Close the rear rack door.
9. Start the system, as described in Starting the system or logical partition.
10. Verify the installed part, as described in Verifying the installed part.

Continue with any other service actions you want to perform.

Related information

-  Starting the system or logical partition
-  Stopping the system or logical partition
-  Verifying the installed part

Common procedures for installable features

This section contains all the common procedures related to installing, removing and replacing features.

Before you begin

Observe these precautions when you are installing, removing, or replacing features and parts.

These precautions are intended to create a safe environment to service your system and do not provide steps for servicing your system. The installation, removal and replacement procedures provide the step-by-step processes required to service your system.

DANGER

When working on or around the system, observe the following precautions:

Electrical voltage and current from power, telephone, and communication cables are hazardous. To avoid a shock hazard:

- Connect power to this unit only with the IBM provided power cord. Do not use the IBM provided power cord for any other product.
- Do not open or service any power supply assembly.
- Do not connect or disconnect any cables or perform installation, maintenance, or reconfiguration of this product during an electrical storm.
- The product might be equipped with multiple power cords. To remove all hazardous voltages, disconnect all power cords.
- Connect all power cords to a properly wired and grounded electrical outlet. Ensure that the outlet supplies proper voltage and phase rotation according to the system rating plate.
- Connect any equipment that will be attached to this product to properly wired outlets.
- When possible, use one hand only to connect or disconnect signal cables.
- Never turn on any equipment when there is evidence of fire, water, or structural damage.
- Disconnect the attached power cords, telecommunications systems, networks, and modems before you open the device covers, unless instructed otherwise in the installation and configuration procedures.
- Connect and disconnect cables as described in the following procedures when installing, moving, or opening covers on this product or attached devices.

To Disconnect:

1. Turn off everything (unless instructed otherwise).
2. Remove the power cords from the outlets.
3. Remove the signal cables from the connectors.
4. Remove all cables from the devices

To Connect:

1. Turn off everything (unless instructed otherwise).
2. Attach all cables to the devices.
3. Attach the signal cables to the connectors.
4. Attach the power cords to the outlets.
5. Turn on the devices.

(D005)

DANGER

Observe the following precautions when working on or around your IT rack system:

- Heavy equipment—personal injury or equipment damage might result if mishandled.
- Always lower the leveling pads on the rack cabinet.
- Always install stabilizer brackets on the rack cabinet.
- To avoid hazardous conditions due to uneven mechanical loading, always install the heaviest devices in the bottom of the rack cabinet. Always install servers and optional devices starting from the bottom of the rack cabinet.
- Rack-mounted devices are not to be used as shelves or work spaces. Do not place objects on top of rack-mounted devices.



- Each rack cabinet might have more than one power cord. Be sure to disconnect all power cords in the rack cabinet when directed to disconnect power during servicing.
- Connect all devices installed in a rack cabinet to power devices installed in the same rack cabinet. Do not plug a power cord from a device installed in one rack cabinet into a power device installed in a different rack cabinet.
- An electrical outlet that is not correctly wired could place hazardous voltage on the metal parts of the system or the devices that attach to the system. It is the responsibility of the customer to ensure that the outlet is correctly wired and grounded to prevent an electrical shock.

CAUTION

- Do not install a unit in a rack where the internal rack ambient temperatures will exceed the manufacturer's recommended ambient temperature for all your rack-mounted devices.
- Do not install a unit in a rack where the air flow is compromised. Ensure that air flow is not blocked or reduced on any side, front, or back of a unit used for air flow through the unit.
- Consideration should be given to the connection of the equipment to the supply circuit so that overloading of the circuits does not compromise the supply wiring or overcurrent protection. To provide the correct power connection to a rack, refer to the rating labels located on the equipment in the rack to determine the total power requirement of the supply circuit.
- *(For sliding drawers.)* Do not pull out or install any drawer or feature if the rack stabilizer brackets are not attached to the rack. Do not pull out more than one drawer at a time. The rack might become unstable if you pull out more than one drawer at a time.
- *(For fixed drawers.)* This drawer is a fixed drawer and must not be moved for servicing unless specified by the manufacturer. Attempting to move the drawer partially or completely out of the rack might cause the rack to become unstable or cause the drawer to fall out of the rack.

(R001)

Before you begin a replacement or installation procedure, perform these tasks:

1. If you are installing a new feature, ensure that you have the software required to support the new feature.
To do this, go to the following Web site: IBM Prerequisite
2. If you are performing an installation or replacement procedure that might put your data at risk, ensure, wherever possible, that you have a current backup of your system or logical partition (including operating systems, licensed programs, and data).
3. Review the installation or replacement procedure for the feature or part.
4. Note the significance of color on your system.

Blue or terra-cotta on a part of the hardware indicates a touch point where you can grip the hardware to remove it from or install it in the system, open or close a latch, and so on. Terra-cotta might also indicate that the part can be removed and replaced with the system or logical partition power on.

5. Ensure that you have access to a medium flat-blade screwdriver, a Phillips screwdriver, and a pair of scissors.
6. If parts are incorrect, missing, or visibly damaged, do the following:
 - If you are replacing a part, contact the provider of your parts or next level of support.
 - If you are installing a feature, contact one of the following service organizations:
 - The provider of your parts or next level of support.
 - In the United States, the IBM Rochester Manufacturing Automated Information Line (R-MAIL) at 1-800-300-8751.

In countries and regions outside of the United States, use the following Web site to locate your service and support telephone numbers:

<http://www.ibm.com/planetwide>

7. If you encounter difficulties during the installation, contact your service provider, your IBM reseller, or your next level of support.
8. If you are installing new hardware in a logical partition, you need to understand and plan for the implications of partitioning your system. For information, see Logical Partitioning.

Identifying a part

Use these instructions to learn how to identify the location of a failed part, the location of a part to be removed, or the location to install a new part on your system or expansion unit using the appropriate method for your system.

For IBM Power Systems servers that contain the POWER7 processor, the light-emitting diodes (LEDs) can be used to identify or verify the location of a part that you are removing, servicing, or installing.

The fault (amber) LED indicates an error and corresponds to the location code in the system reference code (SRC). The LED is activated and deactivated automatically.

If you need to use the identify function, use the following procedures.

Control panel LEDs

Use this information as a guide to the control panel LEDs and buttons.

The control panel has LEDs that indicate various system status.

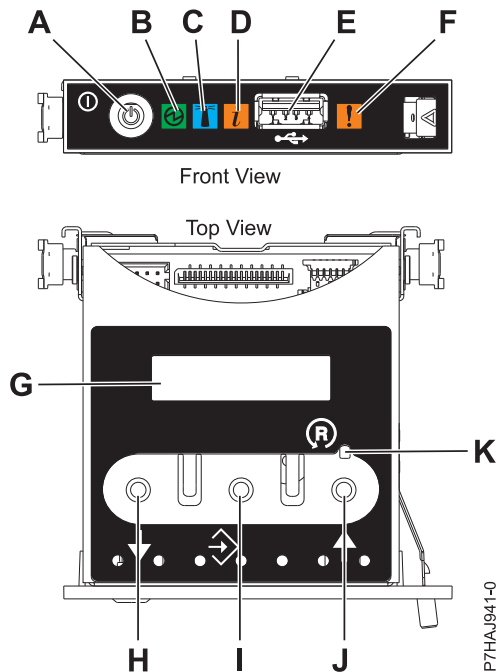


Figure 36. Control panel

- **A:** Power-on button
- **B:** Power LED
 - A constant light indicates full system power to the unit.
 - A blinking light indicates standby power to the unit.
- Note:** There is approximately a 30-second transition period from the time the power-on button is pressed to when the power LED goes from blinking to solid. During the transition period, the LED might blink faster.
- **C:** Enclosure identify light
 - A constant light indicates the identify state, which is used to identify a part.
 - No light indicates that the system is operating normally.
- **D:** System information light
 - No light indicates that the system is operating normally.
 - Light on indicates that the system requires attention.
- **E:** USB port
- **F:** Enclosure fault roll-up light
 - A constant light indicates a fault in the system unit.
 - No light indicates that the system is operating normally.
- **G:** Function/Data display
- **H:** Decrement button
- **I:** Enter button
- **J:** Increment button
- **K:** Pinhole reset button

Related concepts

Identifying a failing part

Use these instructions to learn how to locate and identify a failing part on your system or expansion unit using the appropriate method for your system.

Identifying a failing part in an AIX system or logical partition

Use these instructions to learn how to locate a failing part, and then activate the indicator light for that part on a system or logical partition running the AIX[®] operating system.

Locating a failing part in an AIX system or logical partition:

You might need to use AIX tools, before activating the indicator light, to locate a part that is failing.

1. Log in as root user or celogin-.
2. At the command line, type `diag` and press Enter.
3. From the Function Selection menu, select **Task Selection** and press Enter.
4. Select **Display Previous Diagnostic Results** and press Enter.
5. From the Display Previous Diagnostic Results display, select **Display Diagnostic Log Summary**. The Display Diagnostic Log display shows a chronological list of events.
6. Look in the **T** column for the most recent **S** entry. Select this row in the table and press Enter.
7. Select **Commit**. The details of this log entry are shown.
8. Record the location information and the SRN value shown near the end of the entry.
9. Exit to the command line.

Use the location information for the failing part to activate the indicator light that identifies the failing part. "Activating the indicator light for the failing part."

Activating the indicator light for the failing part:

Use these instructions to help physically identify the location of a part you are servicing.

1. Log in as root user.
2. At the command line, type `diag` and press Enter.
3. From the Function Selection menu, select **Task Selection** and press Enter.
4. From the Task Selection menu, select **Identify and Attention Indicators** and press Enter.
5. From the list of lights, select the location code for the failing part and press Enter.
6. Select **Commit**. This turns on the system attention and indicator light for the failing part.
7. Exit to the command line.

Deactivating the failing-part indicator light:

Use this procedure to turn off any indicator light that you turned on as a part of a service action.

To deactivate the indicator light, follow these steps:

1. Log in as root user.
2. At the command line, type `diag` and press Enter.
3. From the Function Selection menu, select **Task Selection** and press Enter.
4. From the Task Selection menu, select **Identify and Attention Indicators** and press Enter.
5. From the list of lights, select the location code for the failing part and press Enter. When a light is activated for a failing part, an I character precedes the location code.
6. Select **Commit**. This turns off the system attention and indicator light for the failing part.
7. Exit to the command line.

Identifying a failing part in an IBM i system or logical partition

You can activate or deactivate the indicator light by using IBM i to assist in locating a failing part.

Activating the failing-part indicator light:

You can search the service action log for an entry that matches the time, reference code, or resource of a problem, and then activate the indicator light for a failing part.

1. Sign on to an IBM i session, **with at least service level authority**.
2. On the command line of the session, type `strsst` and press Enter.

Note: If you cannot get to the System Service Tools display, use function 21 from the control panel. Alternatively, if the system is managed by a Hardware Management Console (HMC), use the Service Focal Point™ utilities to get to the Dedicated Service Tools (DST) display.

3. Type your service tools user ID and service tools password on the System Service Tools (SST) Sign On display. Press Enter.

Remember: The service tools password is case-sensitive.

4. Select **Start a service tool** from the System Service Tools (SST) display and press Enter.
5. Select **Hardware service manager** from the Start a Service Tool display and press Enter.
6. Select **Work with service action log** from the Hardware Service Manager display and press Enter.
7. On the Select Timeframe display, change the **From: Date and Time** field to a date and time prior to when the problem occurred.
8. Search for an entry that matches one or more conditions of the problem:
 - System Reference code
 - Resource
 - Date and time
 - Failing item list
9. Select option 2 (Display failing item information) to display the service action log entry.
10. Select option 2 (Display details) to display location information for the failing part to be replaced. The information displayed in the date and time fields is the date and time for the first occurrence of the specific System reference code for the resource displayed during the time range selected.
11. If location information is available, select option 6 (Indicator on) to turn on the failing part's indicator light.

Tip: If the failing part does not contain a physical indicator light, a higher-level indicator light is activated. For example, the indicator light for the backplane or unit that contains the failing part might be lit. In this case, use the location information to locate the actual failing part.

12. Look for the enclosure indicator light to locate the enclosure that contains the failing part.

Deactivating the failing-part indicator light:

Use this procedure to turn off any indicator light that you turned on as a part of a service action.

To deactivate the indicator light, follow these steps:

1. Sign on to an IBM i session, **with at least service level authority**.
2. On the command line of the session, type `strsst` and press Enter.

Note: If you cannot get to the System Service Tools display, use function 21 from the control panel. Alternatively, if the system is managed by a Hardware Management Console (HMC), use the Service Focal Point utilities to get to the Dedicated Service Tools (DST) display.

3. Type your service tools user ID and service tools password on the System Service Tools (SST) Sign On display. Press Enter.

Remember: The service tools password is case-sensitive.

4. Select **Start a service tool** from the System Service Tools (SST) display and press Enter.
5. Select **Hardware service manager** from the Start a Service Tool display and press Enter.
6. Select **Work with service action log** from the Hardware Service Manager display and press Enter.
7. On the Select Timeframe display, change the **From: Date and Time** field to a date and time prior to when the problem occurred.
8. Search for an entry that matches one or more conditions of the problem:
 - System Reference code
 - Resource
 - Date and time
 - Failing item list
9. Select option 2 (Display failing item information) to display the service action log entry.
10. Select option 2 (Display details) to display location information for the failing part to be replaced. The information displayed in the date and time fields is the date and time for the first occurrence of the specific System reference code for the resource displayed during the time range selected.
11. Select option 7 (Indicator off) to turn off the indicator light.
12. Select the **Acknowledge all errors** function at the bottom of the Service Action Log display, if all problems have been resolved.
13. Close the log entry by selecting option 8 (Close new entry) on the Service Action Log Report display.

Identifying a failing part in a Linux system or logical partition

If the service aids have been installed on a system or logical partition, you can activate or deactivate the indicator lights to locate a part or complete a service action.

Locating a failing part in a Linux system or logical partition:

If the service aids have been installed on a system or logical partition, you need to activate the indicator lights to locate a part.

To activate the indicator light, follow these steps:

1. Log in as root user.
2. At the command line, type `/usr/sbin/usysident -s identify -l<location code>` and press Enter.
3. Look for the system attention light to identify the enclosure that contains the failing part.

Related information

 Service and productivity tools for Linux on POWER systems

IBM provides hardware diagnostic aids and productivity tools, as well as installation aids for Linux operating systems on IBM Power systems.

Finding the location code of a failing part in a Linux system or logical partition:

To retrieve the location code of the failing part, if you do not know the location code, use the procedure in this topic.

To locate the failing part in a system or logical partition follow these steps:

1. Log in as root user.
2. At the command line, type `grep diagela /var/log/platform` and press Enter.
3. Look for the most recent entry that contains a system reference code (SRC).

4. Record the location information.

Note: IBM provides hardware diagnostic aids and productivity tools, as well as installation aids for Linux operating systems on IBM Power systems. See Service and productivity tools for Linux on Power Systems servers

Activating the indicator light for the failing part:

If you know the location code of the failing part, activate the indicator light to help you locate which part to replace.

To activate the indicator light, follow these steps:

1. Log in as root user.
2. At the command line, type `/usr/sbin/usysident -s identify -l<location code>` and press Enter.
3. Look for the system attention light to identify the enclosure that contains the failing part.

Note: IBM provides hardware diagnostic aids and productivity tools, as well as installation aids for Linux operating systems on IBM Power systems. See Service and productivity tools for Linux on Power Systems servers

Deactivating the failing-part indicator light:

After you complete a removal and replacement procedure, you must deactivate the failing-part indicator light.

To deactivate the indicator light, follow these steps:

1. Log in as root user.
2. At the command line, type `/usr/sbin/usysident -s normal -l<location code>` and press Enter.

Note: IBM provides hardware diagnostic aids and productivity tools, as well as installation aids for Linux operating systems on IBM Power systems. See Service and productivity tools for Linux on Power Systems servers

Locating a failing part in a Virtual I/O Server system or logical partition

You can use Virtual I/O Server (VIOS) tools, before activating the indicator light, to locate a part that is failing.

1. Log in as root user or `celogin-`.
2. At the command line, type `diagmenu` and press Enter.
3. From the **Function Selection** menu, select **Task Selection** and press Enter.
4. Select **Display Previous Diagnostic Results** and press Enter.
5. From the **Display Previous Diagnostic Results** display, select **Display Diagnostic Log Summary**. A **Display Diagnostic Log** display appears. This display contains a chronological list of events.
6. Look in the **T** column for the most recent **S** entry. Select this row in the table and press Enter.
7. Choose **Commit**. The details of this log entry are shown.
8. Record the location information and the SRN value shown near the end of the entry.
9. Exit to the command line.

Use the location information for the failing part to activate the indicator light that identifies the failing part. For instructions, see "Identifying a part by using the Virtual I/O Server."

Identifying a part by using the Virtual I/O Server:

Use these instructions to turn on the indicator light to help you physically locate a part by using the Virtual I/O Server (VIOS).

1. Log in as root user.
2. At the command line, type `diagmenu` and press Enter.
3. From the Function Selection menu, select **Task Selection**. Press Enter.
4. From the Task Selection menu, select **Identify and Attention Indicators**. Press Enter.
5. From the list of lights, select the location code for the failing part and press Enter.
6. Select **Commit**. This turns on the system attention and indicator light for the failing part.
7. Exit to the command line.

Starting the system or logical partition

Learn how to start a system or logical partition after performing a service action or system upgrade.

Starting a system that is not managed by an HMC or an SDMC

You can use the power button or the Advanced System Management Interface to start a system that is not managed by a Hardware Management Console or an IBM Systems Director Management Console.

To start a system that is not managed by a Hardware Management Console (HMC) or Systems Director Management Console (SDMC), follow these steps:

1. Open the front rack door, if necessary.
2. Before you press the power button on the control panel, ensure that power is connected to the system unit as follows:
 - All system power cables are connected to a power source.
 - The Power LED, as shown in the following figure, is slowly blinking.
 - The top of the display, as shown in the following figure, shows 01 V=F.
3. Press the power button (A), as shown in the following figure, on the control panel.

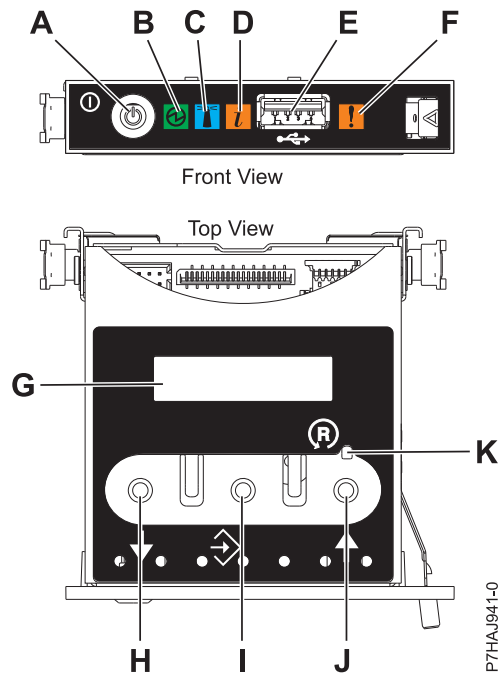


Figure 37. Control panel

- A: Power-on button

- **B:** Power LED
 - A constant light indicates full system power to the unit.
 - A blinking light indicates standby power to the unit.

Note: There is approximately a 30-second transition period from the time the power-on button is pressed to when the power LED goes from blinking to solid. During the transition period, the LED might blink faster.

- **C:** Enclosure identify light
 - A constant light indicates the identify state for the enclosure or for a resource within the enclosure.
 - No light indicates that no resources in the enclosure are being identified.
- **D:** Attention light
 - No light indicates that the system is operating normally.
 - A solid light indicates that the system requires attention.
- **E:** USB port
- **F:** Enclosure fault roll-up light
 - A constant light indicates a fault indicator active in the system.
 - No light indicates that the system is operating normally.
- **G:** Function/Data display
- **H:** Decrement button
- **I:** Enter button
- **J:** Increment button
- **K:** Pinhole reset button

4. Observe the following after pressing the power button:

- The power-on light begins to blink faster.
- The system cooling fans are activated after approximately 30 seconds and begin to accelerate to operating speed.
- Progress indicators, also referred to as checkpoints, appear on the control panel display while the system is being started. The power-on light on the control panel stops blinking and remains on, indicating that system power is on.

Tip: If pressing the power button does not start the system, do the following steps to start the system using the Advanced System Management Interface (ASMI):

1. Access the ASMI. For instructions, see [Accessing the ASMI](#).
2. Start the system using the ASMI. For instructions, see [Powering the system on and off](#).

Starting a system or logical partition by using the Hardware Management Console

You can use the Hardware Management Console (HMC) user interface to start the system or logical partition after the required cables are installed and the power cables are connected to a power source.

For instructions on working with the HMC, see [Managing the Hardware Management Console](#). For instructions on starting a logical partition, see [Logical partitioning](#). For instructions on starting the system, see [Powering on the managed system](#).

Progress indicators, also referred to as checkpoints, appear on the control panel display while the system is being started. When the power-on light on the control panel stops blinking and remains on, the system power is on.

Starting a system or virtual server with the Systems Director Management Console

You can use the IBM Systems Director Management Console (SDMC) user interface to start the system or virtual server after the required cables are installed and the power cables are connected to a power source.

For instructions on working with the SDMC, see *Managing and configuring the SDMC*. For instructions on starting a virtual server, see *Managing virtual servers*. For instructions on shutting down and restarting virtual servers, see *Shutting down and restarting virtual servers*.

Progress indicators, also known as checkpoints, display on the control panel while the system is being started. When the power-on light on the control panel stops flashing and remains on, the system power is on.

Stopping a system or logical partition

Learn how to stop a system or logical partition as a part of a system upgrade or service action.

Attention: Using either the power-on button on the control panel or entering commands at the Hardware Management Console (HMC) to stop the system can cause unpredictable results in the data files. Also, the next time you start the system, it might take longer if all applications are not ended before stopping the system.

To stop the system or logical partition, select the appropriate procedure.

Stopping a system that is not managed by an HMC or an SDMC

You might need to stop the system to perform another task. Use these instructions to stop the system using the power button or Advanced System Management Interface.

Before you stop the system, follow these steps:

1. If an Integrated xSeries[®] Adapter (IXA) is present on the system, shut it down using IBM i options.
2. Ensure that all jobs are completed and end all applications.
3. Ensure that the operating system is stopped.
Attention: Failure to do so can result in the loss of data.
4. If a Virtual I/O Server (VIOS) logical partition is running, ensure that all clients are shut down or that the clients have access to their devices using an alternate method.

The following procedure describes how to stop a system that is not managed by a Hardware Management Console (HMC).

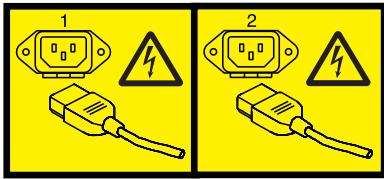
1. Log in to the system as a user with the authority to run the shutdown or pwrdownsys (Power Down System) command.
2. At the command line, enter one of the following commands:
 - If your system is running the AIX operating system, type shutdown.
 - If your system is running the Linux operating system, type shutdown -h now.
 - If your system is running the IBM i operating system, type PWRDWN SYS. If your system is partitioned, use the PWRDWN SYS command to power down each of the secondary partitions. Then, use the PWRDWN SYS command to power down the primary partition.

The command stops the operating system. The system power turns off, the power-on light begins to slowly flash, and the system goes into a standby state.

3. Record the IPL type and the IPL mode from the control panel display to help you return the system to this state when the installation or replacement procedure is completed.
4. Set the power switches of any devices connected to the system to off.
5. Unplug any power cables that are attached to the unit from electrical outlets. Ensure that you unplug power cables from peripheral devices, such as printers and expansion units.

Important: The system is equipped with a second power supply. Before continuing with this procedure, ensure that all power sources to the system have been disconnected.

(L003)



or



Stopping a system by using the Hardware Management Console

You can use the Hardware Management Console (HMC) user interface to stop the system or a logical partition.

By default, the managed system is set to power off automatically when you shut down the last running logical partition on the managed system. If you set the managed system properties on the HMC so that the managed system does not power off automatically, you must use this procedure to power off your managed system.

Attention: If possible, shut down the running logical partitions on the managed system before powering off the managed system. Powering off the managed system without shutting down the logical partitions first causes the logical partitions to shut down abnormally and can cause data loss. If you use a Virtual I/O Server (VIOS) logical partition, ensure that all clients are shut down or that the clients have access to their devices using an alternate method.

To power off a managed system, you must be a member of one of the following roles:

- Super administrator
- Service representative
- Operator
- Product engineer

Use the following steps to stop the system using the HMC.

1. In the Navigation area, expand the **Systems Management** folder.
2. Click the **Servers** icon.

3. In the Contents area, select the managed system.
4. Select **Tasks**, then **Operations**, and then **Power Off**.
5. Select the appropriate power-off mode and click **OK**.

Related information

 Shutting down and restarting logical partitions

Stopping a system with the Systems Director Management Console

You can use the IBM Systems Director Management Console (SDMC) user interface to stop the system or a virtual server.

By default, the managed system is set to power off automatically when you shut down the last running virtual server on the managed system. If you set the managed system properties on the SDMC so that the managed system does not power off automatically, you must use this procedure to power off your managed system.

Attention: If possible, shut down the running virtual servers on the managed system before powering off the managed system. Powering off the managed system without shutting down the virtual servers first causes the virtual servers to shut down abnormally and can cause data loss. If you use a Virtual I/O Server (VIOS) logical partition, ensure that all clients are shut down or that the clients have access to their devices with an alternate method.

To power off a managed system, you must be a member of one of the following roles:

- Super administrator
- Service representative
- Operator
- Product engineer

Use the following steps to stop the system using the SDMC.

1. In the Power Systems Resource area, select the managed system you want to power off.
2. From the **Actions** menu, select **Operations** → **Power Off**.
3. Select the appropriate power-off mode and click **OK**.

Placing the 8202-E4B or 8205-E6B system into the service or operating position

Use these procedures to place a system into the service position or operating position to perform service or to gain access to internal components.

Placing a rack-mounted 8202-E4B or 8205-E6B system into the service position

Use this procedure to place the rack-mounted system into the service position.

Notes:

- When placing the system into the service position, it is essential that all stability plates are firmly in position to prevent the rack from toppling. Ensure that only one system unit is in the service position at a time.
 - Ensure that the cables at the back of the system unit do not catch or bind as you pull the unit forward in the rack.
 - When the system unit rails are fully extended, the rail safety latches lock into place. This action prevents the system from being pulled out too far.
1. Open the front rack door.
 2. Identify the system unit you are servicing in the rack.
 3. Remove the two screws **(A)** (if present) that secure the system unit **(B)** to the rack.

Note: Replacing the shipping screws is optional but should be done in geographic areas that are prone to seismic activity.

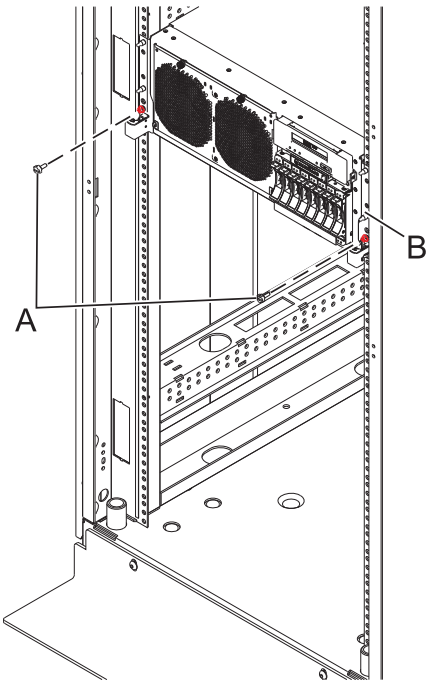
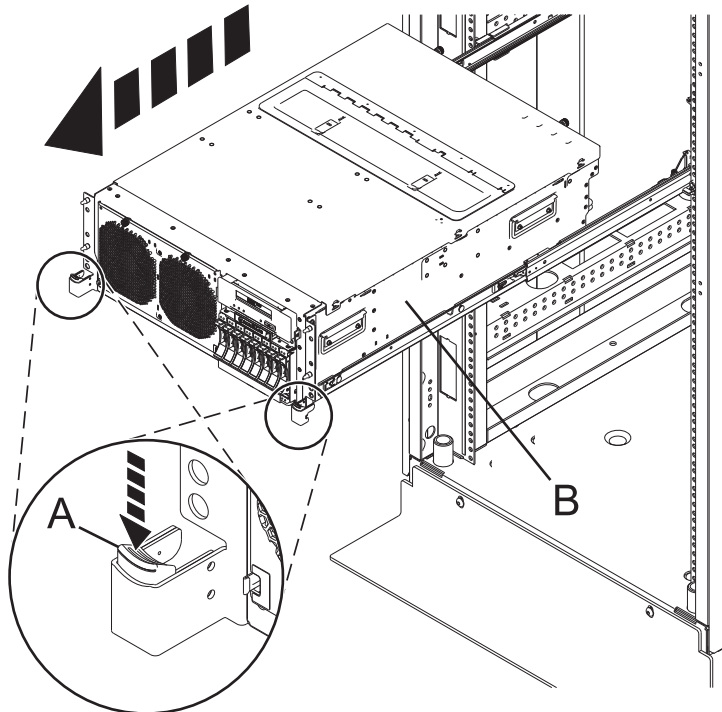


Figure 38. Placing the system in the service position

4. While holding the system unit release latches (A) down on both the left and right sides, pull the system unit (B) out from the rack until the rails are fully extended and locked.



Placing the rack-mounted 8202-E4B or 8205-E6B system into the operating position

Use this procedure to place the rack-mounted system into the operating position.

When placing the system into operating position, ensure that the cables at the back of the system do not catch or bind as you push the system unit back into the rack.

1. Unlock the blue rail safety latches (**A**) by lifting them upwards. The rail safety latches are located near the middle of the system.

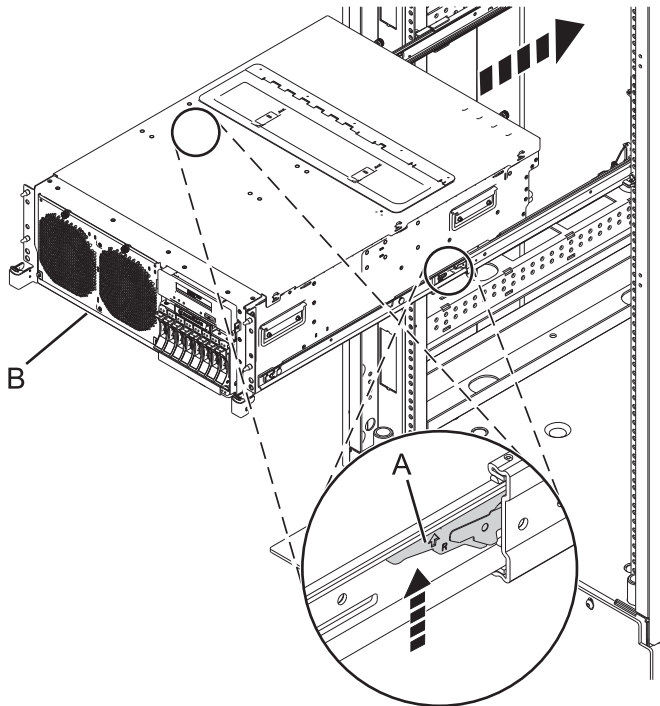


Figure 39. Placing the system into the operating position

2. Push the system unit (**B**) back into the rack until both system-unit release latches have locked into position.
3. Replace and tighten the two screws (if present) (**A**) that secure the system unit (**B**) to the rack.

Note: Replacing the two shipping screws is optional but should be done in geographic areas that are prone to seismic activity.

4. Close the front rack door of the unit you are servicing.

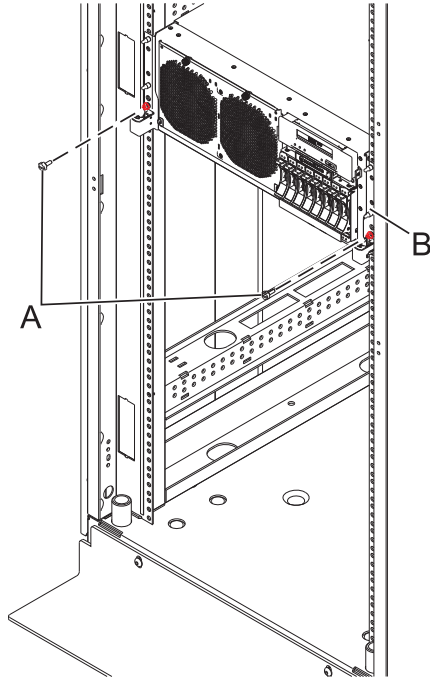


Figure 40. Placing the system into the operating position

Removing and replacing covers for the 8202-E4B or 8205-E6B

Use these instructions to remove, replace, or install covers to access components or perform service.

Removing the front cover on a rack-mounted 8202-E4B or 8205-E6B system

Use this procedure to remove the cover to access components or perform service.

To remove the front cover, follow these steps:

1. Remove the two shipping screws (if present) that secure the system to the rack.

Note: Replacing the shipping screws is optional but should be done in geographic areas that are prone to seismic activity.

2. Pull the cover away from the system. The cover has an indentation where you can hold onto it more easily.

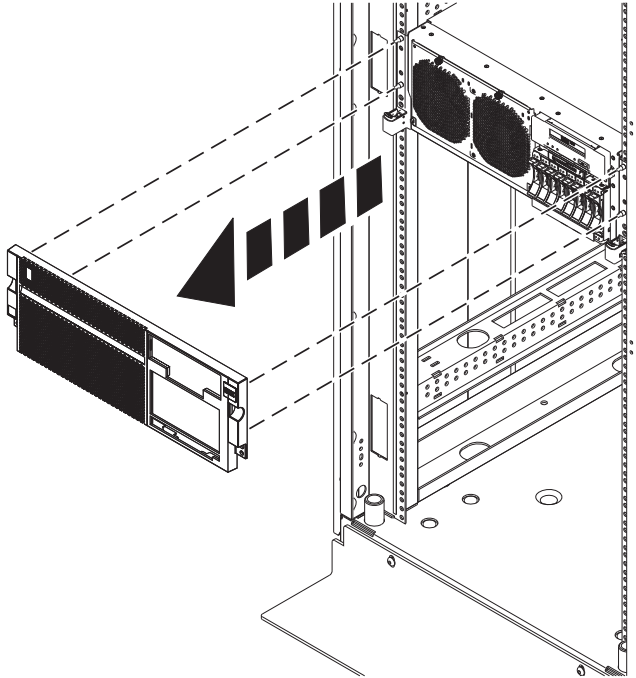


Figure 41. Removing the front cover

Removing the front cover on a stand-alone 8202-E4B or 8205-E6B system

Use this procedure to remove the cover to access components or perform service.

To remove the front cover, follow these steps:

1. Open the front door (**A**) by swinging it towards the left as shown in the following figure.
2. Press latch (**B**) and pull the cover away from the system. The cover has an indentation where you can hold onto it more easily.

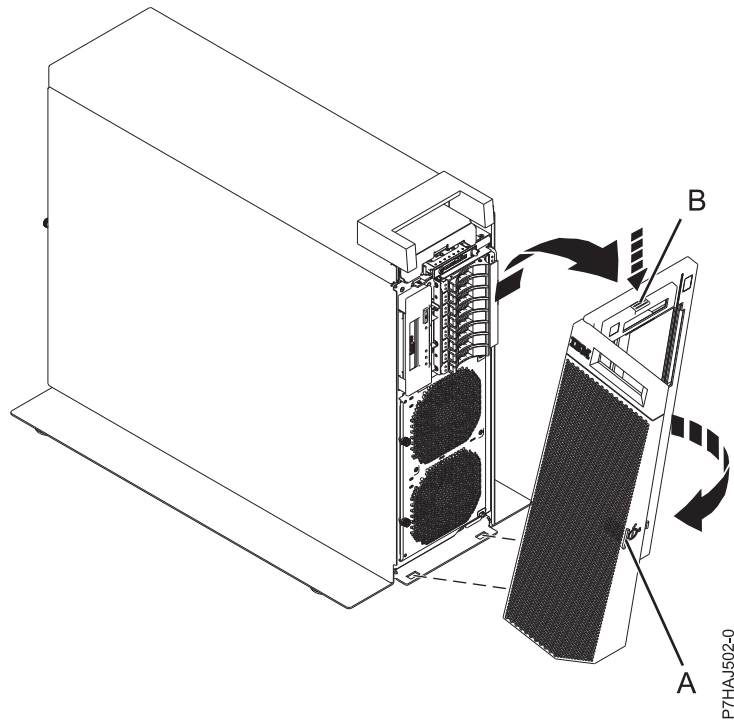


Figure 42. Removing the front cover

Installing the front cover on a rack-mounted 8202-E4B or 8205-E6B system

Use this procedure to install the cover to access components or perform service.

To install the front cover, follow these steps:

1. Push the cover onto the system.
2. Gently push the cover in until the four cover clips are seated in their respective mounting posts as shown in the following figure. The cover snaps into place and has an indentation where you can hold onto it more easily.

Note: Replacing the shipping screws is optional but should be done in geographic areas that are prone to seismic activity.

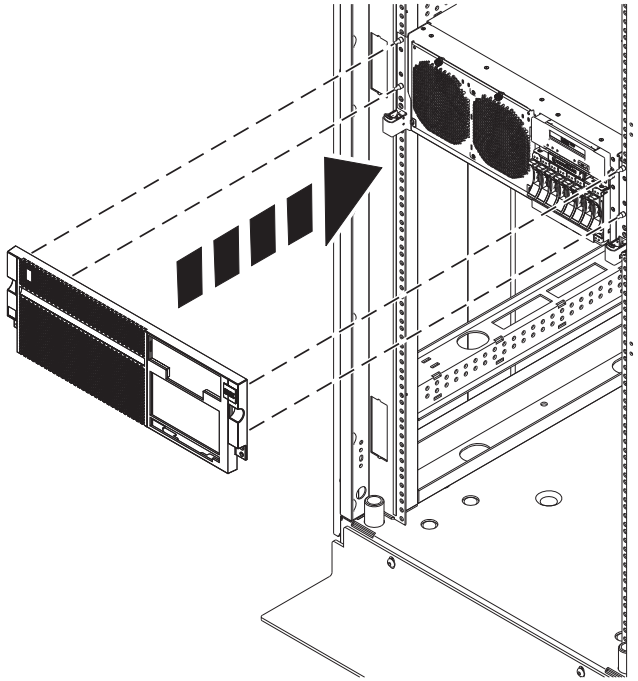


Figure 43. Removing the front cover

Installing the front cover and front door on a stand-alone 8202-E4B or 8205-E6B system

Use this procedure to install the cover to access components or perform service.

To install the front cover and front door, complete the following steps.

1. Align the cover (A) until the two cover tabs are seated into the slots on the base plate (B), as shown in the following figure.
2. Rotate the cover up and towards the system until the release latch is seated into its respective slot. The cover has an indentation where you can hold onto it more easily.

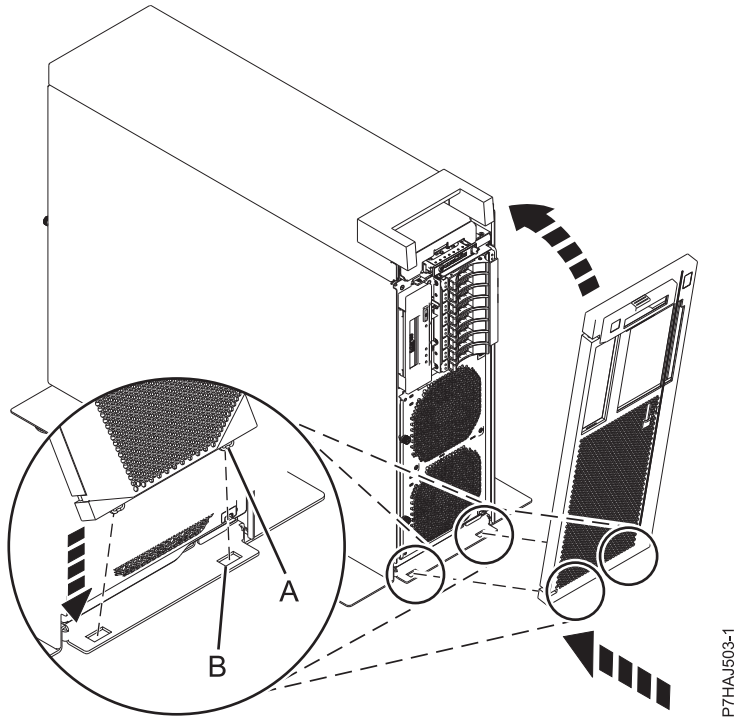


Figure 44. Installing the front cover

3. Hold the front door at an approximate 120 degree angle to the system as show in the following figure. Engage the latches.

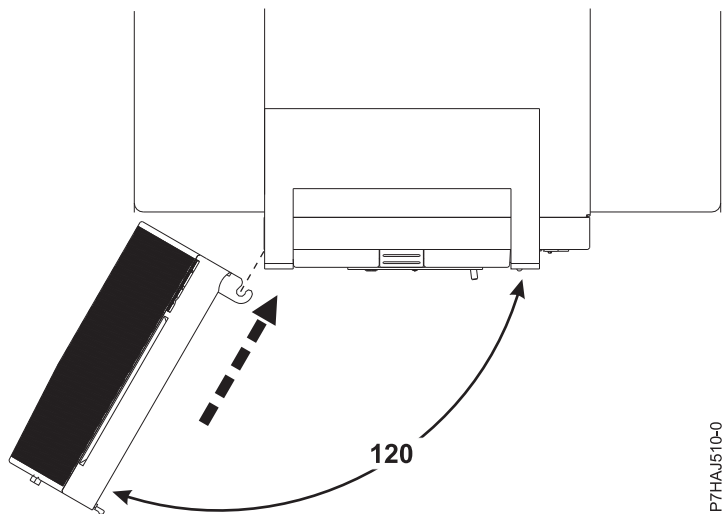


Figure 45. Installing the front door

Removing the service access cover on a rack-mounted 8202-E4B or 8205-E6B system

Use this procedure to remove the service access cover.

1. Loosen the two thumbscrews (A) located at the back of the cover.
2. Slide the cover toward the back of the system unit. When the front of the service access cover has cleared the upper frame ledge, lift the cover up and off the system unit.

Attention: When the service access cover is removed, the system powers down.

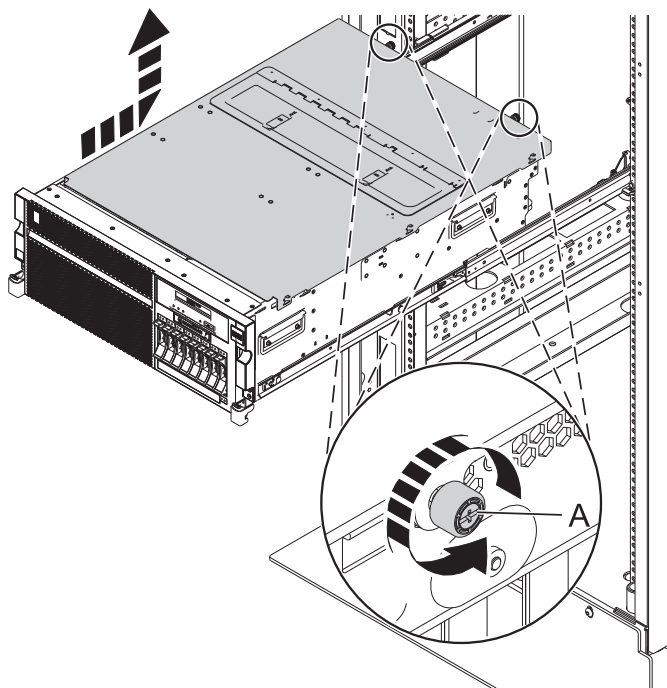


Figure 46. Removing the service access cover

Removing the service access cover on a stand-alone 8202-E4B or 8205-E6B system

Use this procedure to remove the service access cover.

1. Loosen the thumbscrew (A) located at the back of the outside cover.
2. Slide the cover (B) toward the back of the system unit. When the front of the service access cover has cleared the upper frame ledge, lift the cover up and off the system unit.

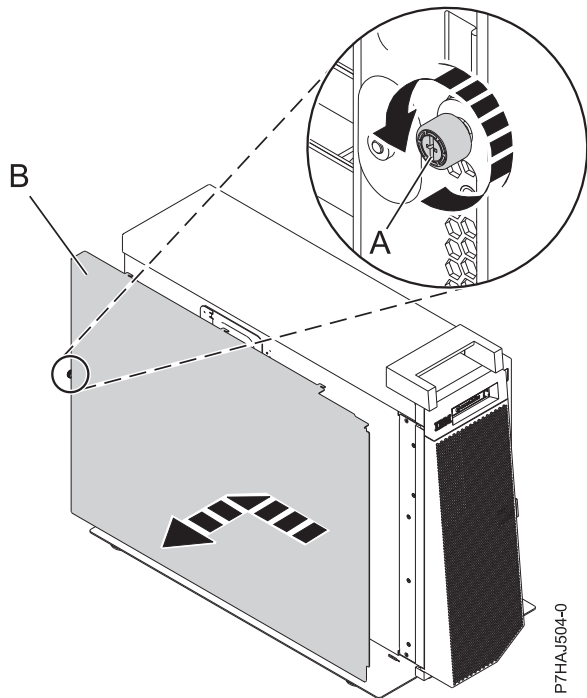


Figure 47. Installing the outside service access cover

3. Loosen the two thumbscrews (A) located at the back of the inside cover.
4. Slide the cover (B) toward the back of the system unit. When the front of the service access cover has cleared the upper frame ledge, lift the cover up and off the system unit.

Attention: When the service access cover is removed, the system powers down.

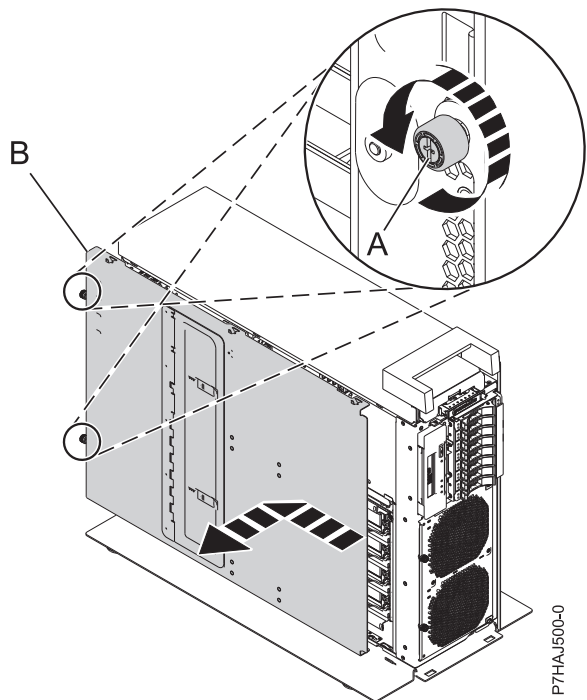


Figure 48. Removing the inside service access cover

Installing the service access cover on a rack-mounted 8202-E4B or 8205-E6B system

Use this procedure to install the service access cover.

1. Place the service access cover on top of the system, about 25 mm (1 in.) from the upper chassis ledge.
2. Hold the service access cover against the system unit and slide it toward the front of the system. The tabs of the service access cover slide beneath the upper chassis ledge.
3. Align the two thumbscrews (A) located on the back of the service access cover with the two holes on the back of the system chassis.
4. Tighten the thumbscrews to secure the service access cover.

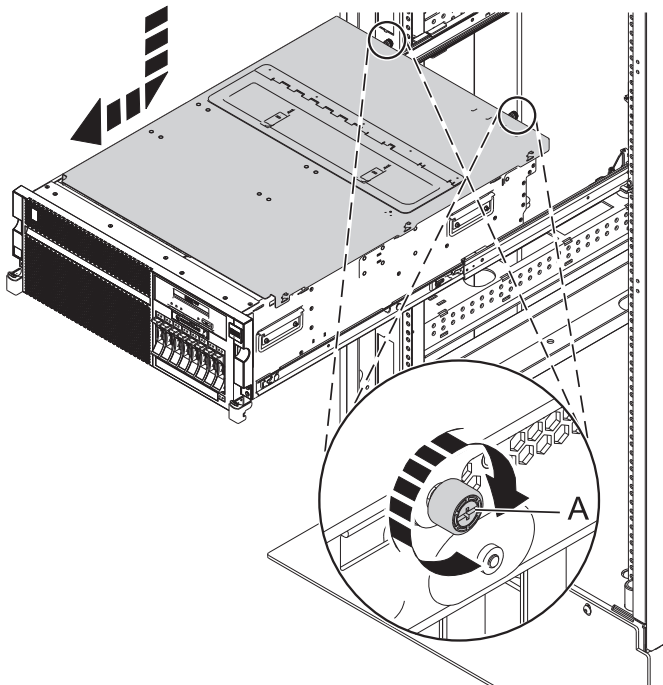


Figure 49. Installing the service access cover

Installing the service access cover on a stand-alone 8202-E4B or 8205-E6B system

Use this procedure to install the service access cover.

1. Place the inside service access cover (A) on top of the system, about 25 mm (1 in.) from the upper chassis ledge.
2. Hold the service access cover against the system unit and slide it toward the front of the system. The tabs of the service access cover slide beneath the upper chassis ledge.
3. Align the two thumbscrews (B) located on the back of the service access cover with the two holes on the back of the system chassis.
4. Tighten the thumbscrews to secure the service access cover.

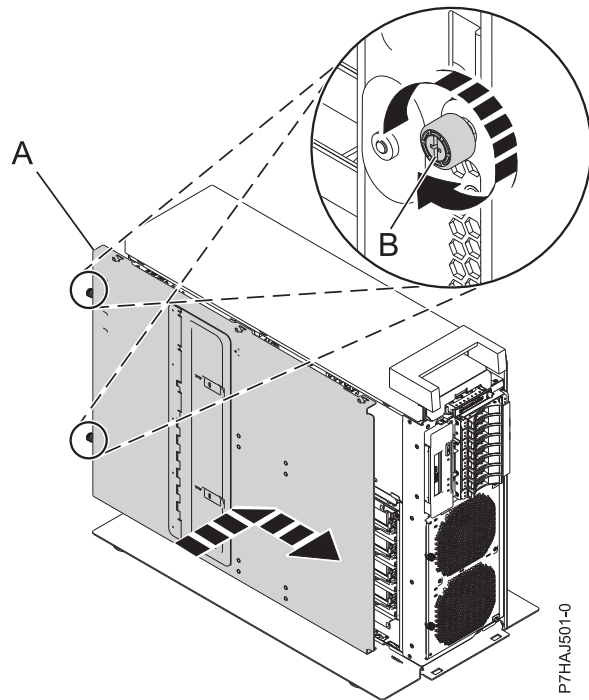


Figure 50. Installing the inside service access cover

5. Place the outside service access cover **(A)** on top of the system.
6. Hold the service access cover against the system unit and slide it toward the front of the system. The tabs of the service access cover slide beneath the upper chassis ledge.
7. Align the thumbscrew **(B)** located on the back of the service access cover with the hole on the back of the system chassis.
8. Tighten the thumbscrew to secure the service access cover.

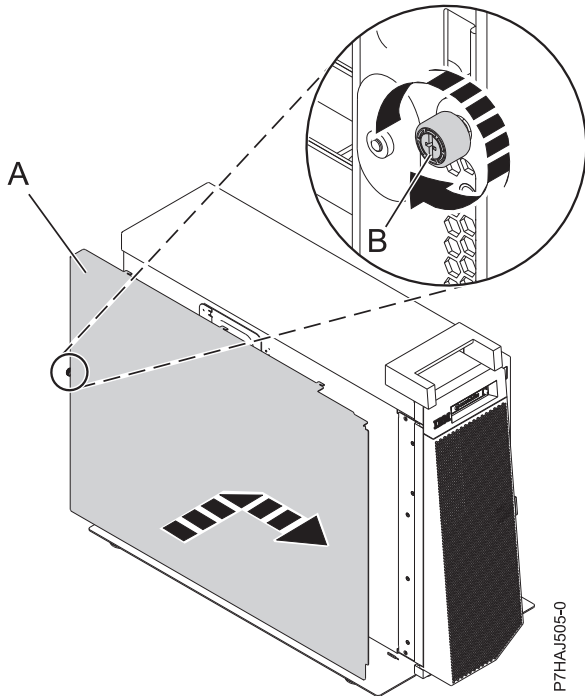
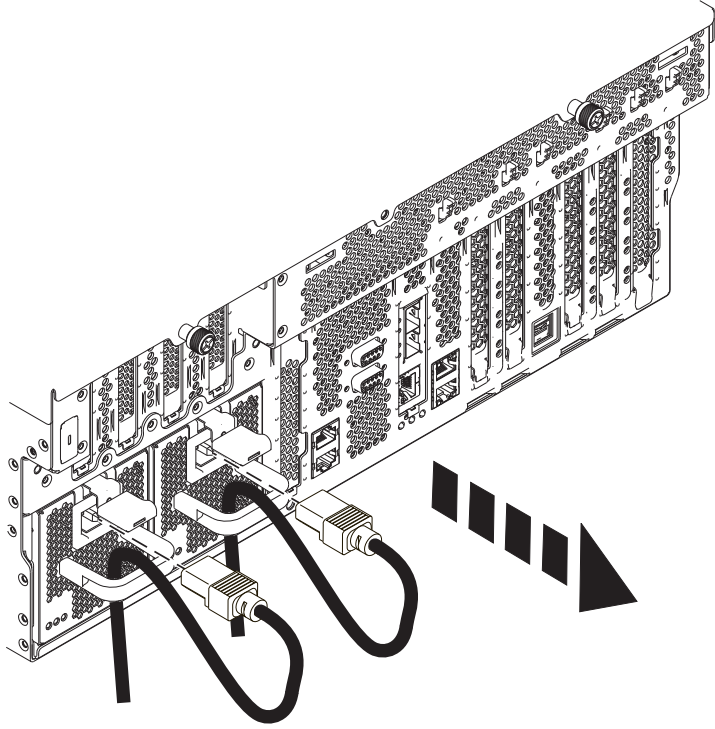


Figure 51. Installing the outside service access cover

Disconnecting the power cords from the 8202-E4B or 8205-E6B system

Use these procedures to disconnect the power cords from the 8202-E4B or 8205-E6B system.

1. For a rack-mounted system, open the back rack door on the unit you are servicing and identify the system unit you are servicing in the rack.
2. For both a rack-mounted system and a stand-alone system, disconnect all power cords from the unit you are servicing. This system might be equipped with two power supplies. Before continuing with any remove and replace procedures that require the power off, ensure that both power sources to the system have been completely disconnected.



P7HAJ506-0

Figure 52. Removing the power cords for a rack-mounted system

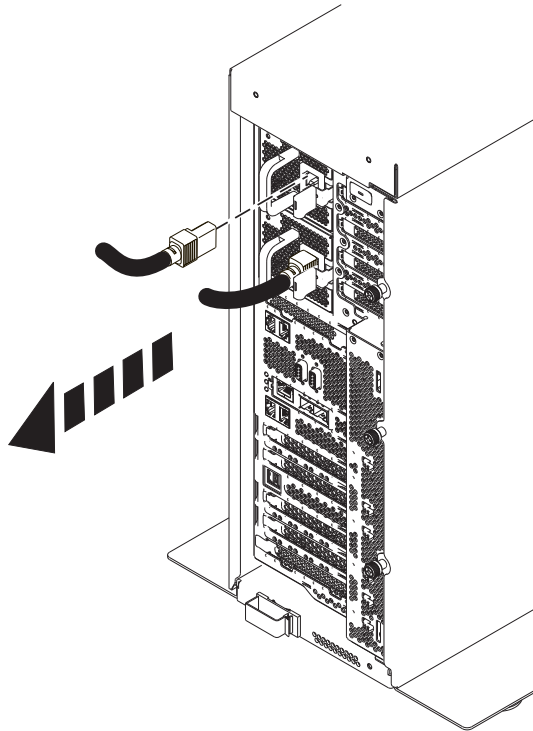
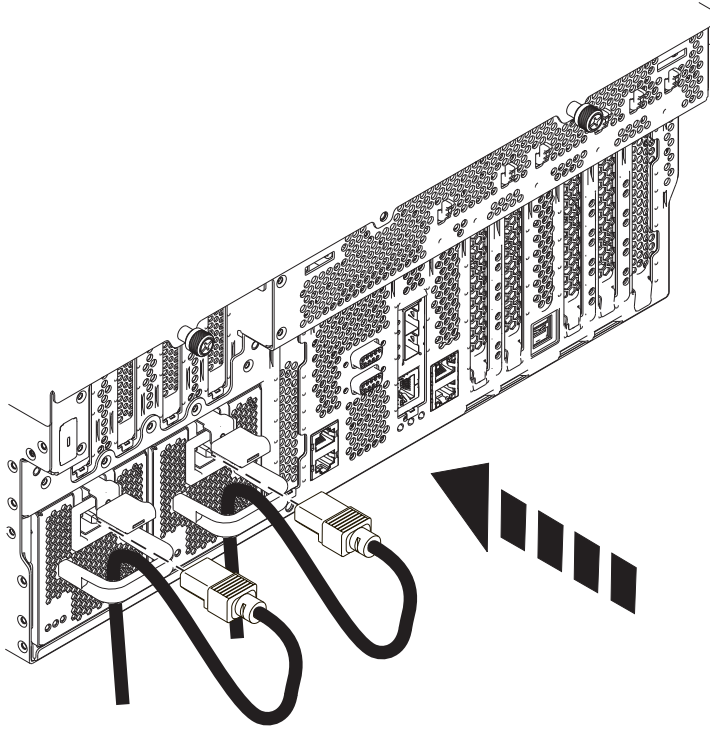


Figure 53. Removing the power cords for a stand-alone system

Connecting the power cords to the 8202-E4B or 8205-E6B system

Use this procedure to connect the power cords.

1. Identify the system unit you are servicing in the rack.
2. Connect all power cords to the unit you are servicing. Ensure that the cords are threaded through the handles.



P7HAJ507-0

Figure 54. Connecting the power cords

3. Close the back rack door.

Installing a feature by using the Hardware Management Console

You can use the Hardware Management Console to perform many service actions, including the installation of a new feature or part.

To use the Hardware Management Console user interface to install a feature or part into a system or expansion unit that is managed by an HMC, follow these steps:

1. In the navigation area, expand **Systems Management** → **Servers**.
2. Select the managed system you will install the part in.
3. In the Tasks area expand **Serviceability** → **Hardware** → **MES Tasks**.
4. Select **Add FRU** (field replaceable unit).
5. In the Add/Install/Remove Hardware window select the system or enclosure into which you are installing the feature.
6. Select the type of feature you are installing from the menu and click **Next**
7. Select the location code for where you will install the feature, and click **Add**.
8. After the FRU is placed in the **pending actions** category click **Launch Procedure** and follow the instructions to install the feature.

Note: The HMC might open external instructions for installing the feature. If so, follow those instructions to install the feature.

Installing a part by using the Systems Director Management Console

You can use the IBM Systems Director Management Console (SDMC) to perform many service actions, including the installation of a new field-replaceable unit (FRU) or part.

To use the SDMC user interface to install a part into a system or expansion unit that is managed by an SDMC, follow these steps:

1. In the Power Systems Resources area, select the system on which you want to install a part.
2. From the **Actions** menu, expand **Service and Support** → **Hardware** → **MES Tasks** → **Add FRU**.
3. On the **ADD FRU** tab, select the system or enclosure type.
4. Select the FRU type you are installing from the menu and click **Next**.
5. Select the location code for where you want to install the part, and click **Add**.
6. After the FRU is placed in the **pending actions** category, click **Launch Procedure** and follow the instructions to install the part.

Note: The SDMC might open external instructions for installing the feature. If so, follow those instructions to install the part.

Verifying the installed part

You can verify a newly installed or replaced part on your system, logical partition, or expansion unit using the operating system, stand-alone diagnostics, or the Hardware Management Console (HMC).

Verifying an installed feature or replaced part in an AIX system or logical partition

If you installed feature or replaced a part, you might want to use the tools in AIX to verify that the feature or part is recognized by the system or logical partition.

To verify the operation of a newly installed feature or replacement part, select the appropriate procedure:

- Verify the installed feature using AIX
- Verifying the replaced part using AIX

Verify the installed feature by using AIX:

1. Log in as root user.
2. At the command line, type `diag` and press Enter.
3. Select **Advanced Diagnostics Routines** and press Enter.
4. From the **Diagnostic Mode Selection** menu, select **System Verification** and press Enter.
5. When the **Advanced Diagnostic Selection** menu appears, do one of the following:
 - To test a single resource, select the resource that you just installed from the list of resources and press Enter.
 - To test all the resources available to the operating system, select **All Resources** and press Enter.
6. Select **Commit**, and wait until the diagnostic programs run to completion, responding to any prompts that appear.
7. Did the diagnostics run to completion and display the message No trouble was found?
 - **No:** If a service request number (SRN) or other reference code is displayed, suspect a loose adapter or cable connection. Review the installation procedures to ensure that the new feature is installed correctly. If you cannot correct the problem, collect all SRNs or any other reference code information that you see. If the system is running in logical partitioning (LPAR) mode, note the logical partition in which you installed the feature. Contact your service provider for assistance.

- **Yes:** The new device is installed correctly. Exit the diagnostic programs and return the system to normal operations.

Verify the replacement part by using AIX:

To verify the operation of a newly installed feature or replacement part, follow these steps:

1. Did you use either the AIX operating system or the online diagnostics service aid concurrent (hot-swap) service to replace the part?
 - No:** Go to step 2.
 - Yes:** Go to step 5.
2. Is the system powered off?
 - No:** Go to step 4.
 - Yes:** If the system supports slow boot, set the system to perform a slow boot. For information, see *Performing a slow boot*.
3. Start the system and wait until the AIX operating system login prompt is displayed or until apparent system activity on the operator panel or display has stopped.

Did the AIX login prompt display?

 - **No:** If a service request number (SRN) or other reference code is displayed, suspect a loose adapter or cable connection. Review the procedures for the part that you replaced to ensure that the new part is installed correctly. If you cannot correct the problem, collect all SRNs or any other reference code information that you see. If the system does not start or you have no login prompt, see: *Problems with loading and starting the operating system*.
If the system is partitioned, note the logical partition in which you replaced the part. Contact your service provider for assistance.
 - **Yes:** Go to step 4.
4. At the command prompt, type `diag -a` and press Enter to check for missing resources. If you see a command prompt, go to step 5.

If the **Diagnostic selection** menu is shown with **M** appearing next to any resource, follow these steps:

 - a. Select the resource and press Enter.
 - b. Select **Commit**.
 - c. Follow any instructions that are shown.
 - d. If the *Do you want to review the previously displayed error?* message is shown, select **Yes** and press Enter.
 - e. If an SRN is shown, suspect a loose card or connection. If no obvious problem is shown, record the SRN and contact your service provider for assistance..
 - f. If no SRN is shown, go to step 5.
5. Test the part by doing the following steps:
 - a. At the command line, type `diag` and press Enter.
 - b. From the **Function Selection** menu, select **Advanced Diagnostics Routines** and press Enter.
 - c. From the **Diagnostic Mode Selection** menu, select **System Verification** and press Enter.
 - d. Select **All Resources**, or select the diagnostics for the individual part to test only the part you replaced and any devices that are attached to the part you replaced and press Enter.

Did the **Resource Repair Action** menu appear?

 - No:** Go to step 6.
 - Yes:** Go to step 7 on page 63.
6. Did the *Testing Complete, No trouble was found* message appear?
 - **No:** There is still a problem. Contact your service provider. **This ends the procedure.**

- **Yes:** Select **Log Repair Action**, if not previously logged, from the **Task Selection** menu to update the AIX error log. If the repair action was reseating a cable or adapter, select the resource associated with that repair action. If the resource associated with your action is not displayed on the resource list, select **sysplanar0** and press Enter.

Tip: This action changes the indicator light for the part from the fault state to the normal state. Go to step 9.

7. Select the resource for the replaced part from the **Resource Repair Action** menu. When a test is run on a resource in system verification mode, and that resource has an entry in the AIX error log, if the test on the resource was successful, the **Resource Repair Action** menu appears. Complete the following steps to update the AIX error log to indicate that a system-detectable part has been replaced.

Note: On systems with an indicator light for the failing part, this action changes the indicator light to the normal state.

- a. Select the resource that has been replaced from the **Resource Repair Action** menu. If the repair action was reseating a cable or adapter, select the resource associated with that repair action. If the resource associated with your action does not appear on the resource list, select **sysplanar0** and press Enter.
- b. Select **Commit** after you make your selections. Did another **Resource Repair Action** display appear?

No: If the **No Trouble Found** display appears, go to step 9

Yes: Go to step 8.

8. Select the parent or child of the resource for the replaced part from the **Resource Repair Action** menu if necessary. When a test is run on a resource in system verification mode, and that resource has an entry in the AIX error log, if the test on the resource was successful, the **Resource Repair Action** menu appears. Complete the following steps to update the AIX error log to indicate that a system-detectable part has been replaced.

Note: This action changes the indicator light for the part from the fault state to the normal state.

- a. From the **Resource Repair Action** menu, select the parent or child of the resource that has been replaced. If the repair action was to reseat a cable or adapter, select the resource associated with that repair action. If the resource associated with your action does not appear on the resource list, select **sysplanar0** and press Enter.
 - b. Select **Commit** after you make your selections.
 - c. If the **No Trouble Found** display appears, go to step 9.
9. If you changed the service processor or network settings, as instructed in previous procedures, restore the settings to the values they had prior to servicing the system.
 10. Did you do any hot-plug procedures before doing this procedure?
 - No:** Go to step 11.
 - Yes:** Go to step 12.
 11. Start the operating system, with the system or logical partition in normal mode. Were you able to start the operating system?
 - No:** Contact your service provider. **This ends the procedure.**
 - Yes:** Go to step 12.
 12. Are the indicator lights still on?
 - **No. This ends the procedure.**
 - **Yes.** Turn off the lights. See the following for instructions: Changing service indicators.

Verifying the installed part in an IBM i system or logical partition

If you have installed a new feature or part, verify that the system recognizes the feature or part by using the IBM i system service tools.

To verify the installed part, follow these steps:

1. Deactivate the failing item indicator light. For instructions, see “Deactivating the failing-part indicator light” on page 39.
2. Sign on **with at least service level authority**.
3. On the command line of the IBM i session, type `strsst` and press Enter.

Note: If you cannot get to the System Service Tools display, use function 21 from the control panel. Alternatively, if the system is managed by Hardware Management Console (HMC), use the Service Focal Point Utilities to get to the Dedicated Service Tools (DST) display.

4. Type your service tools user ID and service tools password on the System Service Tools (SST) Sign On display and press Enter.

Note: The service tools password is case-sensitive.

5. Select **Start a service tool** from the System Service Tools (SST) display and press Enter.
6. Select **Hardware service manager** from the Start a Service Tool display and press Enter.
7. Select **Logical hardware resources (buses, IOPs, controllers)** from the Hardware Service Manager display and press Enter. This option allows you to display and work with logical resources. Logical hardware resources are the functional resources of the system used by the operating system.

With the Logical Hardware Resources display, you can show logical hardware resource status or information, and associated packaging hardware resources. Use the online Help information to better understand specific functions, fields, or symbols.

Deactivating the failing-part indicator light:

Use this procedure to turn off any indicator light that you turned on as a part of a service action.

To deactivate the indicator light, follow these steps:

1. Sign on to an IBM i session, **with at least service level authority**.
2. On the command line of the session, type `strsst` and press Enter.

Note: If you cannot get to the System Service Tools display, use function 21 from the control panel. Alternatively, if the system is managed by a Hardware Management Console (HMC), use the Service Focal Point utilities to get to the Dedicated Service Tools (DST) display.

3. Type your service tools user ID and service tools password on the System Service Tools (SST) Sign On display. Press Enter.

Remember: The service tools password is case-sensitive.

4. Select **Start a service tool** from the System Service Tools (SST) display and press Enter.
5. Select **Hardware service manager** from the Start a Service Tool display and press Enter.
6. Select **Work with service action log** from the Hardware Service Manager display and press Enter.
7. On the Select Timeframe display, change the **From: Date and Time** field to a date and time prior to when the problem occurred.
8. Search for an entry that matches one or more conditions of the problem:
 - System Reference code
 - Resource
 - Date and time

- Failing item list
9. Select option 2 (Display failing item information) to display the service action log entry.
 10. Select option 2 (Display details) to display location information for the failing part to be replaced. The information displayed in the date and time fields is the date and time for the first occurrence of the specific System reference code for the resource displayed during the time range selected.
 11. Select option 7 (Indicator off) to turn off the indicator light.
 12. Select the **Acknowledge all errors** function at the bottom of the Service Action Log display, if all problems have been resolved.
 13. Close the log entry by selecting option 8 (Close new entry) on the Service Action Log Report display.

Verifying the installed part in a Linux system or logical partition

If you have installed a new part, learn how to verify that the system recognizes the part.

To verify the newly installed or replaced part, continue with “Verifying an installed part by using stand-alone diagnostics.”

Verifying an installed part by using stand-alone diagnostics

If you have installed or replaced a part, verify that the system recognizes the new part. You can use stand-alone diagnostics to verify an installed part in a Linux system, expansion unit, or logical partition.

- If this server is directly attached to another server or attached to a network, ensure communications with the other servers have stopped.
- The stand-alone diagnostics require use of all of the logical partition resources. No other activity can be running on the logical partition.
- The stand-alone diagnostics require access to the system console.

You access these diagnostics from a CD-ROM or from the Network Installation Management (NIM) server. This procedure describes how to use the diagnostics from a CD-ROM. For information on running diagnostics from the Network Installation Management (NIM) server, see Running stand-alone diagnostics from a Network Installation Management server.

To use stand-alone diagnostics, follow these steps:

1. Stop all jobs and applications and then stop the operating system on the system or logical partition.
2. Remove all tapes, diskettes, and CD-ROM.
3. Turn off the system unit power. The next step boots the server or logical partition from the stand-alone diagnostics CD-ROM. If the optical drive is not available as the boot device on the server or logical partition on which you are working, follow these steps:
 - a. Access the ASMI. See Accessing the ASMI for information on using the ASMI.
 - b. On the ASMI main menu, click on **Power/Restart Control**.
 - c. Click Power On/Off System.
 - d. Select the **Service mode boot from default boot list** option in the AIX or Linux logical partition mode boot drop-down menu.
 - e. Click **Save settings and power on**. As soon as the optical drive has power, insert the standalone diagnostic CD-ROM.
 - f. Go to step 5.
4. Turn on the system unit power and immediately insert the diagnostics CD-ROM into the optical drive.
5. After the **keyboard** POST indicator displays on the system console and before the last POST indicator (**speaker**) displays, press the numeric 5 key on the system console to indicate that a service mode boot should be initiated using the default-service mode boot list.
6. Enter any requested password.
7. At the **Diagnostic Operating Instructions** display, press Enter.

Tip: If a service request number (SRN) or other reference code is displayed, suspect a loose adapter or cable connection.

Note: If you received an SRN or any other reference code when you attempted to start the system, contact your service provider for assistance..

8. If the terminal type is requested, select the **Initialize Terminal** option on the Function Selection menu to initialize the operating system.
9. From the Function Selection menu, select **Advanced Diagnostics Routines** and press Enter.
10. From the Diagnostic Mode Selection menu, select **System Verification** and press Enter.
11. When the Advanced Diagnostic Selection menu appears, select **All Resources**, or test only the part you replaced, and any devices that are attached to the part you replaced, by selecting the diagnostics for the individual part and press Enter.
12. Did the Testing Complete, No trouble was found message appear?
 - **No:** There is still a problem. Contact your service provider.
 - **Yes:** Go to step 13.
13. If you changed the service processor or network settings, as instructed in previous procedures, restore the settings to the value they had prior to servicing the system.
14. If the indicator lights are still on, follow these steps:
 - a. Select **Identify and Attention Indicators** from the Task Selection menu to turn off the system attention and indicator lights and press Enter.
 - b. Select **Set System Attention Indicator to NORMAL** and press Enter.
 - c. Select **Set All Identify Indicators to NORMAL** and press Enter.
 - d. Choose **Commit**.

Note: This changes the system attention and identify indicators from the *Fault* state to the *Normal* state.

- e. Exit to the command line.

Verifying the installed part by using Hardware Management Console

If you have installed or replaced a part, use the Hardware Management Console (HMC) to update your HMC records after you have completed a service action on your server. If you have reference codes, symptoms, or location codes that you used during the service action, locate the records for use during this procedure.

To verify the installed part, complete these steps:

1. At the HMC, examine the service action event log for any open service action events. See “Viewing serviceable events by using the HMC” on page 68 for details.
2. Are there any service action events that are open?
 - No:** If the system attention LED is still on, use the HMC to turn off the LED. See “Activating and deactivating LEDs by using the HMC” on page 67. **This ends the procedure.**
 - Yes:** Continue with the next step.
3. Record the list of open service action events.
4. Examine the details of the open service action event. Is the error code associated with this service action event the same as you gathered earlier.
 - **No:** Select one of the following options:
 - Review the other serviceable events, find one that does match, and continue with the next step.
 - If the log does not match what you had gathered earlier, contact your service provider.
 - **Yes:** Continue with the next step.
5. Select and highlight the service action event from the Error Associated With This Serviceable Event window.

6. Click **Close Event**.
7. Add comments for the serviceable event. Include any unique additional information. Click **OK**.
8. Did you replace, add, or modify a field replaceable unit (FRU) of the open service action event?
 - **No:** Select the **No FRU Replaced for this Serviceable Event** option, and click **OK** to close the service action event.
 - **Yes:** Perform the following steps:
 - a. From the FRU list, select a FRU that you need to update.
 - b. Double-click the FRU and update the FRU information.
 - c. Click **OK** to close the service action event.
9. If you continue to have problems, contact your service provider.

Activating and deactivating LEDs by using the HMC:

Use this procedure to activate or deactivate LEDs using Service Focal Point for the Hardware Management Console (HMC).

Choose from the following:

- “Deactivating a system attention LED or partition LED”
- “Activating or deactivating identify LED”

Deactivating a system attention LED or partition LED:

You can deactivate a system attention LED or a logical partition LED. For example, you might determine that a problem is not a high priority and decide to repair the problem at a later time. However, you want to be alerted if another problem occurs, so you must deactivate the system attention LED so that it can be activated again if another problem occurs.

1. In the navigation area, open **Systems Management**.
2. Open **Servers** and select the appropriate system.
3. In the content area, check the box for the appropriate Partition.
4. Select **Tasks**, then **Operations**, and then **Manage Attention LED**.
5. Select the appropriate Partition.
6. Select **Deactivate System Attention LED** from the **Action** menu. A confirmation window is displayed that provides the following information:
 - A verification that the system attention LED was deactivated.
 - An indication that there still might be open problems within the system.
 - An indication that you cannot activate the system attention LED.
7. Select one of the logical partitions in the lower table, and select **Deactivate partition LED** from the **Partition Operations** menu. A confirmation window is displayed that provides the following information:
 - A verification that the logical partition LED was deactivated.
 - An indication that there still might be open problems within the logical partition.
 - An indication that you cannot activate the logical partition LED.

Activating or deactivating identify LED:

The system provides several LEDs that help identify various components, such as enclosures or field replaceable units (FRUs), in the system. For this reason, they are called *identify LEDs*.

You can activate or deactivate the following types of identify LEDs:

- **Identify LED for an enclosure** If you want to add an adapter to a specific drawer (enclosure), you need to know the machine type, model, and serial number (MTMS) of the drawer. To determine whether you have the correct MTMS for the drawer that needs the new adapter, you can activate the LED for a drawer and verify that the MTMS corresponds to the drawer that requires the new adapter.
- **Identify LED for a FRU associated with a specified enclosure** If you want to hook up a cable to a specific I/O adapter, you can activate the LED for the adapter which is a field replaceable unit (FRU), and then physically check to see where you should hook up the cable. This is especially useful when you have several adapters with open ports.

To activate or deactivate an identify LED for an enclosure or FRU, follow these steps:

1. In the navigation area, open **Systems Management**.
2. Select **Servers**.
3. In the content area, check the box for the appropriate System.
4. Select **Tasks**, then **Operations**, then **LED Status**, and then **Identify LED**.
5. To activate or deactivate an identify LED for an enclosure, select an enclosure from the table, and click either **Activate LED** or **Deactivate LED**. The associated LED is either turned on or off.
6. To activate or deactivate an identify LED for a FRU, select an enclosure from the table, select **Selected** → **List FRUs**.
7. Select one or more FRUs from the table, and click either **Activate LED** or **Deactivate LED**. The associated LED is either turned on or off.

Viewing serviceable events by using the HMC:

Use this procedure to view a serviceable event, including details, comments, and service history.

To view serviceable events and other information about the events, you must be a member of one of the following roles:

- Super administrator
- Service representative
- Operator
- Product engineer
- Viewer

To view serviceable events, follow these steps:

1. In the navigation area, select **Service Management**.
2. Select **Manage Serviceable Events**.
3. Select the criteria for the serviceable events that you want to view, and click **OK**. The Serviceable Event Overview window opens. The list shows all serviceable events that match your selection criteria. You can use the menu options to perform actions on the serviceable events.
4. Select a line in the Serviceable Event Overview window, and select **Selected** → **View Details**. The Serviceable Event Details window opens, showing detailed information about the serviceable event. The upper table shows information, such as problem number and reference code. The lower table shows the field replaceable units (FRUs) associated with this event.
5. Select the error for which you want to view comments and history, and follow these steps:
 - a. Select **Actions** → **View Comments**.
 - b. When you are finished viewing the comments, click **Close**.
 - c. Select **Actions** → **View Service History**. The Service History window opens, showing service history associated with the selected error.
 - d. When you are finished viewing the service history, click **Close**.

6. When you are finished, click **Cancel** twice to close the Serviceable Event Details window and the Serviceable Event Overview window.

Verifying the installed part by using Systems Director Management Console

If you installed or replaced a part, use the IBM Systems Director Management Console (SDMC) to update your SDMC records after you have completed a service action on your server. If you have reference codes, symptoms, or location codes that you used during the service action, locate the records for use during this procedure.

To verify the installed part, complete these steps:

1. From the SDMC, examine the service action event log for any open service action events. See “Viewing serviceable events by using the IBM Systems Director Management Console” on page 70 for details.
2. Are there any service action events that are open?
 - No:** If the system attention LED is still on, use the SDMC to turn off the LED. See “Activating and deactivating LEDs by using the SDMC.” **This ends the procedure.**
 - Yes:** Continue with the next step.
3. Record the list of open service action events.
4. Examine the details of the open service action event. Is the error code associated with this service action event the same as you gathered earlier.
 - **No:** Select one of the following options:
 - Review the other serviceable events, find one that does match, and continue with the next step.
 - If the log does not match what you had gathered earlier, contact your service provider.
 - **Yes:** Continue with the next step.
5. Select and highlight the service action event from the Error Associated With This Serviceable Event window.
6. Click **Delete** or **Ignore**.

Note: These options are only available from the problem event log.

Activating and deactivating LEDs by using the SDMC:

Use this procedure to activate or deactivate LEDs by using the IBM Systems Director Management Console (SDMC).

Choose from the following:

- “Deactivating a system attention LED or partition LED”
- “Activating or deactivating identify LED by using the SDMC” on page 70

Deactivating a system attention LED or partition LED:

You can deactivate a system attention LED or a logical partition LED. For example, you might determine that a problem is not a high priority and decide to repair the problem at a later time. However, you want to be alerted if another problem occurs, so you must deactivate the system attention LED so that it can be activated again if another problem occurs.

1. On the Resources tab, select the appropriate host or virtual server.
2. Select **Actions** → **Service and Support** → **Hardware** → **System Attention LED**.
3. Select **Deactivate System Attention LED**. A confirmation window is displayed that provides the following information:
 - A verification that the system attention LED was deactivated.
 - An indication that there still might be open problems within the system.

- An indication that you cannot activate the system attention LED.
4. Select one of the virtual servers, and select **Deactivate System Attention LED**. A confirmation window is displayed that provides the following information:
 - A verification that the system attention LED was deactivated.
 - An indication that there still might be open problems within the logical partition.
 - An indication that you cannot activate the virtual server LED.

Activating or deactivating identify LED by using the SDMC:

The system provides several LEDs that help identify various components, such as enclosures or field replaceable units (FRUs). For this reason, they are called *identify LEDs*.

You can activate or deactivate the following types of identify LEDs:

- **Identify LED for an enclosure** If you want to add an adapter to a specific drawer (enclosure), you need to know the machine type, model, and serial number (MTMS) of the drawer. To determine whether you have the correct MTMS for the drawer that needs the new adapter, you can activate the LED for a drawer and verify that the MTMS corresponds to the drawer that requires the new adapter.
- **Identify LED for a FRU associated with a specified enclosure** If you want to hook up a cable to a specific I/O adapter, you can activate the LED for the adapter which is a field replaceable unit (FRU), and then physically check to see where you should hook up the cable. This is especially useful when you have several adapters with open ports.

To activate or deactivate an identify LED for an enclosure or FRU, follow these steps:

1. On the Resources tab, select the appropriate host or virtual server.
2. Select **Actions** → **Service and Support** → **Hardware** → **Identify LED**.
3. In the Identify LED, Select Enclosure window, select the system unit or enclosure.
4. To activate or deactivate an identify LED, click either **Activate LED** or **Deactivate LED**. The associated LED is either turned on or off.
5. To activate or deactivate an identify LED for a FRU, select a system or enclosure from the table, and then select **List FRUs...**
6. Select one or more FRUs from the table, and click either **Activate LED** or **Deactivate LED**. The associated LED is either turned on or off.

Viewing serviceable events by using the IBM Systems Director Management Console:

Use this procedure to view a serviceable event, including details, comments, and service history.

To view serviceable events, follow these steps:

1. On the Resources tab, select the appropriate host or virtual server.
2. Select **Actions** → **System Status and Health** → **Event Log**.
3. Optional: You can narrow the event criteria using the Event filter menu.
4. Select a line in the Events window, and select **Actions** → **Properties**. The Properties window opens, showing detailed information about the serviceable event. The table shows information, such as problem number, reference code, and the field replaceable units (FRUs) associated with this event.

Verifying an installed feature or replaced part on a system or logical partition by using Virtual I/O Server tools

If you installed feature or replaced a part, you might want to use the tools in Virtual I/O Server (VIOS) to verify that the feature or part is recognized by the system or logical partition.

To verify the operation of a newly installed feature or replacement part, select the appropriate procedure:

- Verify the installed feature using VIOS

- Verifying the replaced part using VIOS

Verify the installed feature by using VIOS:

1. Log in as root user.
2. At the command line, type `diagmenu` and press Enter.
3. Select **Advanced Diagnostics Routines** and press Enter.
4. From the **Diagnostic Mode Selection** menu, select **System Verification** and press Enter.
5. When the **Advanced Diagnostic Selection** menu appears, do one of the following:
 - To test a single resource, select the resource that you just installed from the list of resources and press Enter.
 - To test all the resources available to the operating system, select **All Resources** and press Enter.
6. Select **Commit**, and wait until the diagnostic programs run to completion, responding to any prompts that appear.
7. Did the diagnostics run to completion and display the message No trouble was found?
 - **No:** If a service request number (SRN) or other reference code is displayed, suspect a loose adapter or cable connection. Review the installation procedures to ensure that the new feature is installed correctly. If you cannot correct the problem, collect all SRNs or any other reference code information that you see. If the system is running in LPAR mode, note the logical partition in which you installed the feature. Contact your service provider for assistance.
 - **Yes:** The new device is installed correctly. Exit the diagnostic programs and return the system to normal operations.

Verify the replacement part by using VIOS:

To verify the operation of a newly installed feature or replacement part, follow these steps:

1. Did you replace the part by using either VIOS or the online diagnostics service aid's concurrent (hot-swap) service operation?
 - No:** Go to step 2.
 - Yes:** Go to step 5 on page 72.
2. Is the system powered off?
 - No:** Go to step 4.
 - Yes:** If the system supports slow boot, set the system to perform a slow boot. For information, see Performing a slow boot.
3. Start the system and wait until the VIOS operating system login prompt displays or until apparent system activity on the operator panel or display has stopped.

Did the VIOS login prompt display?

 - **No:** If an SRN or other reference code is displayed, suspect a loose adapter or cable connection. Review the procedures for the part that you replaced to ensure that the new part is installed correctly. If you cannot correct the problem, collect all SRNs or any other reference code information that you see. If the system does not start or you have no login prompt, see: Problems with loading and starting the operating system.
If the system is partitioned, note the logical partition in which you replaced the part. Contact your service provider for assistance.
 - **Yes:** Go to step 4
4. At the command prompt, type `diag -a` and press Enter to check for missing resources. If you see a command prompt, go to step 5 on page 72.

If the **Diagnostic selection** menu is shown with **M** appearing next to any resource, follow these steps:

 - a. Select the resource and press Enter.

- b. Select **Commit**.
 - c. Follow any instructions that are shown.
 - d. If a *Do you want to review the previously displayed error?* message is shown, select **Yes** and press Enter.
 - e. If an SRN is shown, suspect a loose card or connection. If no obvious problem is shown, record the SRN and contact your service provider for assistance..
 - f. If no SRN is shown, go to 5.
5. Test the part by doing the following:
 - a. At the command line, type `diagmenu` and press Enter.
 - b. From the **Function Selection** menu, select **Advanced Diagnostics Routines** and press Enter.
 - c. From the **Diagnostic Mode Selection** menu, select **System Verification** and press Enter.
 - d. Select **All Resources**, or select the diagnostics for the individual part to test only the part you replaced, and any devices that are attached to the part you replaced and press Enter.
Did the **Resource Repair Action** menu appear?
No: Go to step 6.
Yes: Go to step 7.
 6. Did the *Testing Complete, No trouble was found* message appear?
 - **No:** There is still a problem. Contact your service provider. **This ends the procedure.**
 - **Yes:** Select **Log Repair Action**, if not previously logged, from the **Task Selection** menu to update the AIX error log. If the repair action was reseating a cable or adapter, select the resource associated with that repair action. If the resource associated with your action is not displayed on the Resource List, select `sysplanar0` and press Enter.

Tip: This action changes the indicator light for the part from the fault state to the normal state.
Go to step 9 on page 73
 7. Select the resource for the replaced part from the **Resource Repair Action** menu. When a test is run on a resource in system verification mode, and that resource has an entry in the AIX error log, if the test on the resource was successful, the **Resource Repair Action** menu appears. Complete the following steps to update the AIX error log to indicate that a system-detectable part has been replaced.

Note: On systems with a indicator light for the failing part, this changes the indicator light to the normal state.
 - a. Select the resource that has been replaced from the **Resource Repair Action** menu. If the repair action was reseating a cable or adapter, select the resource associated with that repair action. If the resource associated with your action does not appear on the Resource List, select `sysplanar0`. Press Enter.
 - b. Select **Commit** after you make your selections. Did another **Resource Repair Action** display appear?
No: If the **No Trouble Found** display appears, go to step 9 on page 73
Yes: Go to step 8.
 8. Select the parent or child of the resource for the replaced part from the **Resource Repair Action** menu if necessary. When a test is run on a resource in system verification mode, and that resource has an entry in the AIX error log, if the test on the resource was successful, the **Resource Repair Action** menu appears. Complete the following steps to update the AIX error log to indicate that a system-detectable part has been replaced.

Note: This changes the indicator light for the part from the fault state to the normal state.

- a. From the **Resource Repair Action** menu, select the parent or child of the resource that has been replaced. If the repair action was to reseat a cable or adapter, select the resource associated with that repair action. If the resource associated with your action does not appear on the Resource List, select **sysplanar0**. Press Enter.
- b. Select **Commit** after you make your selections.
- c. If the **No Trouble Found** display appears, go to step 9.
9. If you changed the service processor or network settings, as instructed in previous procedures, restore the settings to the values they had prior to servicing the system.
10. Did you do any hot-plug procedures before doing this procedure?
 - No:** Go to step 11.
 - Yes:** Go to step 12.
11. Start the operating system, with the system or logical partition in normal mode. Were you able to start the operating system?
 - No:** Contact your service provider. **This ends the procedure.**
 - Yes:** Go to step 12.
12. Are the indicator lights still on?
 - **No. This ends the procedure.**
 - **Yes.** Turn off the lights. See one of the following for instructions: Changing service indicators

Verifying a repair

Use these procedures to verify hardware operation after making repairs to the system.

Choose from the following options:

- To verify the repair of a system that is currently powered off, go to step 1.
 - To verify the repair of a system that is currently powered on with no operating system loaded, go to step 3.
 - To verify the repair of a system that is currently powered on and that has an operating system loaded, go to step 5 on page 74.
1. Power on the server and all attached I/O enclosures.

Did all the enclosures power on?

Yes: Go to step 3. ↓ Go to step 3.

No: Continue with the next step.

2. Choose from the following options:

- If the original problem was that an enclosure would not power on and you have another FRU to replace, locate and replace the next field-replaceable unit (FRU).
 - If the next FRU in the FRU list is an isolation procedure, perform the isolation procedure.
 - If the original problem was that an enclosure would not power on and you have an isolation procedure to complete, perform the isolation procedure.
 - If the original problem was that an enclosure would not power on and there are no more FRUs or isolation procedures in the FRU list, contact your next level of support.
 - If you have a new problem, perform problem analysis and repair the new problem.
-

3. Load the operating system.

Did the operating system load successfully?

Yes: Go to step 5 on page 74.

No: Continue with the next step.

4. Choose from the following options:

- If the original problem was a failing disk drive that contained the operating system software, go to step 5.
 - If the original problem was that the operating system would not load and you have another FRU to replace, go to your FRU locations section to locate the next FRU.
 - If the next FRU in the FRU list is an isolation procedure, perform the isolation procedure.
 - If the original problem was that the operating system would not load and you have an isolation procedure to complete, perform the isolation procedure.
 - If the original problem was that the operating system would not load and there are no more FRUs or isolation procedures in the FRU list, contact your next level of support.
 - If you have a new problem, perform problem analysis and repair the new problem.
-

5. Choose from the following options:

- “Verifying the repair in AIX”
- “Verifying the repair in Linux” on page 79
- “Verifying a repair using an IBM i system or logical partition” on page 77

Verifying the repair in AIX

You can use this procedure to verify that a repair is complete using the AIX operating system.

Use this maintenance analysis procedure (MAP) to check out the server after a repair is completed.

1. Did you replace a disk drive in the root volume group?

No Go to step 3.

Yes Continue with the next step.

2. Run stand-alone diagnostics either from a CD or from a Network Installation Management (NIM) server.

Did you encounter any problems?

No Reinstall the operating system and continue with step 5.

Yes If the original problem still exists, replace the field-replaceable unit (FRU) or perform the isolation procedure that is next in the FRU list. If you have reached the end of the FRU list, contact your next level of support.

If a new problem has occurred, go to Beginning problem analysis.

3. Did you replace a FRU with the power turned on and concurrently with system operations?

No Go to step 5.

Yes Continue with the next step.

4. Did you use an AIX diagnostics service aid hot-swap operation to change the FRU?

Yes Go to step 6 on page 75.

No Go to step 7 on page 75.

Note: The AIX diagnostic service aid was used if a resource was removed using the **Hot Plug** task.

5.

Note: If any FRUs have been removed that should be reinstalled, reinstall them now.

Perform the following steps:

1. If the system is not powered on, power it on now.
2. Perform a slow boot.
3. Wait until the AIX operating system login prompt displays or until system activity on the operator panel or display apparently has stopped.
4. Did you encounter any problems?

No Continue at step 6.

Yes If the original problem still exists, replace the FRU or perform the isolation procedure that is next in the FRU list. If you have reached the end of the FRU list, contact your next level of support.

If a new problem has occurred, go to Beginning problem analysis.

6. If the Resource Repair Action menu is already displayed, go to step 9 on page 76; otherwise, perform the following steps:

1. Log into the operating system either with root authority (if needed, ask the customer to enter the password) or use the CE login.
 2. Enter the `diag -a` command and check for missing resources. Follow any instructions that display. If an SRN displays, suspect a loose card or connection. If no instructions display, no resources were detected as missing. Continue with the next step.
-

7. Perform the following steps:

1. Enter `diag` at the command prompt.
2. Press Enter.
3. Select the **Diagnostics Routines** option.
4. When the Diagnostic Mode Selection menu displays, select **System verification**.
5. When the Diagnostic Selection menu displays, select the **All Resources** option or test the FRUs you exchanged, and any devices that are attached to the FRU(s) you exchanged, by selecting the diagnostics for the individual FRU.

Did the Resource Repair Action menu (801015) display?

No Continue with the next step.

Yes Go to step 9 on page 76.

8. Did the Testing Complete, no trouble was found menu (801010) display?

Yes Use the **Log Repair Action** option, if not previously logged, in the TASK SELECTION menu to update the AIX error log. If the repair action was reseating a cable or adapter, select the resource associated with that repair action.

If the resource associated with your action is not displayed on the resource list, select **sysplanar0**.

Note: If the system attention indicator is on, this action will set it back to the normal state.

Go to step 11 on page 77.

No If the original problem still exists, replace the FRU or perform the isolation procedure that is next in the FRU list. If you have reached the end of the FRU list, contact your next level of support.

If a new problem has occurred, go to Beginning problem analysis.

9. When a test is run on a resource in system verification mode, that resource has an entry in the AIX error log. If the test on that resource was successful, the Resource Repair Action menu displays. After replacing a FRU, you must select the resource for that FRU from the Resource Repair Action menu. This updates the AIX error log to indicate that a system-detectable FRU has been replaced.

Note: If the system attention indicator is on, this action will set it back to the normal state.

Perform the following steps:

1. Select the resource that has been replaced from the Resource Repair Action menu. If the repair action was reseating a cable or adapter, select the resource associated with that repair action. If the resource associated with your action is not displayed on the resource list, select **sysplanar0**.
2. Press **Commit** after you make your selections.

Did another Resource Repair Action (801015) display?

No If the No Trouble Found menu displays, go to step 11 on page 77.

Yes Continue with the next step.

10. The parent or child of the resource you just replaced might also require that you run the Resource Repair Action service aid on it.

When a test is run on a resource in system verification mode, that resource has an entry in the AIX error log. If the test on the resource was successful, the Resource Repair Action menu displays.

After replacing that FRU, you must select the resource for that FRU from the Resource Repair Action menu. This updates the AIX error log to indicate that a system-detectable FRU has been replaced.

Note: If the system attention indicator is on, this action will set it back to the normal state.

Perform the following steps:

1. From the RESOURCE REPAIR ACTION menu, select the parent or child of the resource that has been replaced. If the repair action was reseating a cable or adapter, select the resource associated with that repair action. If the resource associated with your action is not displayed on the resource list, select **sysplanar0**.
 2. Press COMMIT after you make your selections.
 3. If the No Trouble Found menu displays, continue with the next step.
-

11. If you changed the service processor or network settings, as instructed in previous MAPs, restore the settings to the value they had prior to servicing the system. If you ran stand-alone diagnostics from CD-ROM, remove the stand-alone diagnostics CD-ROM from the system.

Did you perform service on a RAID subsystem involving changing of the PCI RAID adapter cache card or changing the configuration?

Note: This information does not apply to the PCI-X RAID adapter or cache.

No Go to the close of call procedure.

Yes Continue with the next step.

12. Use the **Recover Options** selection to resolve the RAID configuration. To do this, perform the following steps:

1. On the PCI SCSI Disk Array Manager display, select **Recovery options**.
 2. If a previous configuration exists on the replacement adapter, this must be cleared. Select **Clear PCI SCSI Adapter Configuration** and press F3.
 3. On the Recovery Options screen, select **Resolve PCI SCSI RAID Adapter Configuration**.
 4. On the Resolve PCI SCSI RAID Adapter Configuration screen, select **Accept Configuration on Drives**.
 5. On the PCI SCSI RAID Adapter selections menu, select the adapter that you changed.
 6. On the next screen, press Enter.
 7. When you see the Are You Sure selection menu, press Enter to continue.
 8. If you see a Failed status message, verify that you selected the correct adapter, and then repeat this procedure. When the recovery is complete, exit the operating system.
 9. Go to the close of call procedure.
-

Verifying a repair using an IBM i system or logical partition

Use this procedure to verify a repair using the IBM i operating system.

1. Was the system powered off during the repair?
Yes: Continue with the next step.
No: Continue with step 3.
2. Perform the following tasks:
 - a. Verify that the power cable is plugged into the power outlet.
 - b. Verify that power is available at the customer's power outlet.
3. Was the partition powered off during the repair?

Yes: Continue with the next step.

No: Continue with step 6.

4. Select the IPL type and mode for the system or logical partition that the customer uses (see IPL type mode and speed options in the Service functions).

5. Start an IPL by powering on the system or partition (see Powering on and powering off). Did the system complete the IPL?

Yes: Continue with the next step.

No: This might be a new problem. Go to the Start of call procedure. **This ends the procedure.**

6. Did the system or partition remain running throughout the repair, and was the I/O processor, I/O adapter, or storage device replaced?

Yes: Continue with step 10.

No: Continue with the next step.

7. Use the service action log or serviceable event view (if the system is managed by an HMC) to look for any reference codes that are related to this IPL (see Using the Service Action Log). Are there any reference codes that are related to this IPL?

Yes: Continue with the next step.

No: If the problem was related to removable media or communications, perform the verification procedures in the Service functions to verify that the problem is corrected. Then return the system to the customer and have the customer verify the system date and time. **This ends the procedure.**

8. Is the new reference code the same as the original reference code?

Yes: Continue with the next step.

No: A new symptom might have occurred. Go to the Start of call procedure. **This ends the procedure.**

9. Are there any other failing items that remain to be replaced?

Yes: Replace the next failing item listed for this reference code. **This ends the procedure.**

No: Contact your next level of support for assistance. **This ends the procedure.**

10. Was concurrent maintenance performed on an optical storage unit?

Yes: The product activity log and service action log, in most cases, contain a reference code for the optical storage unit when concurrent maintenance is performed. You can ignore this reference code. Perform the following:

- Perform the verification procedures in the Service functions topic to verify that the problem is corrected.

- Return the system to the customer and have the customer verify the system date and time. **This ends the procedure.**

No: Continue with the next step.

11. Use the service action log to look for any new reference codes (see Using the Service Action Log). Are there any new reference codes?

Yes: Continue with the next step.

No: Go to step 14.

12. Is the new reference code the same as the original reference code?

Yes: Continue with the next step.

No: A new symptom might have occurred. Go to the Start of call procedure to determine the cause of the problem. **This ends the procedure.**

13. Are there any other failing items that need to be replaced?

Yes: Replace the next failing item listed for the reference code. **This ends the procedure..**

No: Contact your next level of support for assistance. **This ends the procedure.**

14. Are you working with a tape device?

Yes: Perform the verification procedures in the Service functions to verify that the problem is corrected. After the verification test is complete, the tape device description will be set to the failed state because a resource change was detected. Perform the following tasks:

- Vary the tape device description off and then on.
- Return the system to the customer and have the customer verify the system date and time. Then go to Verifying the repair from the HMC. **This ends the procedure.**

No: Continue with the next step.

15. Are you working with an IOP or an IOA?

Yes: Use the display hardware configuration service function to check for any missing or failed hardware:

- On the command line, enter the STRSST (Start System Service Tools command). If you cannot get to SST, select DST. Do not IPL the system or partition to get to DST.
- On the Start Service Tools Sign On display, enter the user ID with the service authority and password.
- Select **Start a service tool** → **Hardware service manager** → **Logical hardware resources** → **System bus resources**.
- Select the function key for **Include nonreporting resources**.
- If the IOP and IOA that you just replaced is a failed or non-reporting resource, the problem has not been fixed. Continue to the next failing item in the failing item list. **This ends the procedure.**

No: Perform the verification procedures in the Service functions topics to verify that the problem is corrected. Resources that usually vary on automatically during an IPL, or that were previously varied on manually, might need to be varied on again after the verification procedures are complete. Return the system to the customer and have the customer verify the system date and time. **This ends the procedure.**

Verifying the repair in Linux

You can use this procedure to verify that a repair is complete using the Linux operating system.

1. Run stand-alone diagnostics from either a CD or from a Network Installation Management (NIM) server. See Running the stand-alone diagnostics from CD-ROM.

Did you encounter any problems?

No Reboot the operating system and continue with the close of call procedure.

Yes If the original problem still exists, replace the field-replaceable unit (FRU) or perform the isolation procedure that is next in the FRU list. If you have reached the end of the FRU list, contact your next level of support.

If a new problem has occurred, go to Beginning problem analysis and repair the new problem.

Verifying the repair from the management console

Perform these procedures to close problem numbers, clear hardware messages, and prepare the server to return to the customer using the management console.

Follow this checklist before performing the procedures:

- You return the server to the state that the customer normally uses such as IPL type, IPL mode, and the way the system is configured or partitioned.
Attention: Before returning the system to the customer, remove the system from service mode. If the system is left in service mode, it automatically places a call for service every two hours.
- While you were performing the problem analysis on the original serviceable event, other serviceable-event numbers might have been opened. Close all serviceable events that were opened as a result of your service activity.
- Server verification has been performed and there are no problems that require additional service actions.

- If the repair was done using the HMC online repair procedures, ensure that the original serviceable event is now closed.

1. Is a management console used to manage the server that you are servicing?

- **Yes:** Continue with the next step.
 - **No:** Return to the “Verifying a repair” on page 73. **This ends the procedure.**
-

2. Are you closing a service event that was a repair on the management console personal computer?

- **Yes:** Continue with the next step.
 - **No:** Go to step 4.
-

3. Power on the management console. Did the power-on process complete without errors?

- **Yes:** Ensure that the management console can be used to perform server management tasks, and return the management console to normal operations. Go to “Closing a service call.” **This ends the procedure.**
 - **No:** Go to the *HMC isolation procedures*. **This ends the procedure.**
-

4. Log into the management console as the service representative. If invalid user or invalid password displays, get the correct login information from the system administrator.

1. If logged on the System Manager, select Exit from the Console, located on the System Manager window.
 2. Login to the System Manager with the following: User identification service Password service mode
-

5. View Serviceable Event Details.

1. In the navigation area, select the Service Applications icon.
 2. In the navigation area, select the Service Focal Point icon.
 3. In the Contents area, select Manage Serviceable Events.
 4. Designate the set of Serviceable Events you want to view. When you are finished, click OK. The **Service Event Overview** window opens.
-

Note: Only the events that match all of the criteria you specify are shown.

6. Close open or delayed events.

1. Select the problem to close, on the Service Event Overview window.
 2. Select the menu Selected, located on the menu bar.
 3. Click Close Event.
 4. Enter your comments in the Serviceable Event Comments window, and click Close Event.
 5. Close all events associated with the problem on which you were working.
-

7. Did the Service Event Overview window contain the event or events on which you were working?

- **Yes:** Return the HMC to normal operations. Go to “Closing a service call.” **This ends the procedure.**
 - **No:** Go to *Detecting problems*. **This ends the procedure.**
-

Closing a service call

Perform these procedures to close problem numbers, clear hardware messages, and prepare the server to return to the customer.

Follow this checklist before performing the procedures:

- Return the server to the state that the customer normally uses such as IPL type, IPL mode, and the way the system is configured or partitioned.

Attention: Before returning the system to the customer, remove the system from service mode. If the system is left in service mode, it automatically places a call for service every two hours.

- While you were performing the problem analysis on the original serviceable event, other serviceable events might have been opened. Close all serviceable events that were opened as a result of your service activity.
 - Ensure that server verification has been performed and no problems require additional service actions.
 - If the repair was done using the management console online repair procedures, ensure that the original serviceable event is now closed.
 1. Record the system reference code (SRC) or symptom and the location code of the field-replaceable unit (FRU) you replaced, for future reference. Is the server managed by a management console?
 - **Yes:** Continue with the next step.
 - **No:** Do one of the following steps:
 - If the server is managed by Integrated Virtualization Manager (IVM), go to “Closing a service call using Integrated Virtualization Manager” on page 89.
 - If the server is not partitioned and is running the AIX or Linux operating system, go to “Closing a service call using AIX or Linux” on page 85.
-

2. On the HMC, open **Manage Serviceable Events** and examine the service action event log for any open service action events.
-

3. Are there any service action events that are open?

- **Yes:** Continue with the next step.
 - **No:** If the system attention LED is still on, turn off the LED as described in “Activating and deactivating LEDs” on page 93. Return the system to the customer. **This completes the repair.**
-

4. Record the list of open service action events.
-

5. From the list of serviceable events recorded in step 4, perform the following step 6 through step 32 on page 84 for each open service action event.
-

6. Determine the error class of the serviceable event. Record for future use.
-

7. Examine the details of the open service action event.

Is the error code that is associated with this service action event the same as recorded in Step 1?

- **Yes:** Go to step 11 on page 82.
 - **No:** Continue with the next step.
-

8. Examine the FRU list of the service action event. Are any FRUs listed for the service action event?

- **Yes:** Continue with the next step.
 - **No:** Go to step 11.
-

9. Is the FRU list identical (same FRUs, same number of FRUs, and same order of FRUs) to the FRU list of the error code recorded in step 1 on page 81?

- **Yes:** Go to step 11.
 - **No:** Continue with the next step.
-

10. The FRU list is different. Is the FRU you replaced and recorded in step 1 on page 81 in the list of FRUs for this service action event?

- **Yes:** Continue with the next step.
 - **No:** Go to step 32 on page 84.
Note: There are service action events that will remain open when you leave this MAP. Further service actions might be required to complete the repair.
-

11. Examine the details of this service action event, and record the partitions involved in this service action event for use in a later step.

12. Is the error code associated with this service action event of the form A11-xxx or A01-xxx?

- **Yes:** Continue with the next step.
 - **No:** Go to step 17.
-

13. Have you begun a list of Axx partitions from prior service action events that you processed in this maintenance analysis procedure (MAP)?

- **Yes:** Go to step 15.
 - **No:** Continue with the next step.
-

14. Begin a new list of Axx partitions by copying the list of partitions obtained in step 11. Go to step 16.

15. Add the partition list obtained in step 11 to the existing list of Axx partitions obtained from processing previous service action events in this MAP.

16. Remove all entries in the list of all partitions you recorded in step 11. If you are referred to the list of partitions obtained in step 11 in future steps, the list is empty. Go to step 17.

17. Select and highlight the service action event from the Error Associated With This Serviceable Event window.

18. Click **Close Event**.

19. Add comments for the serviceable event. Include any unique additional information. Click **OK**. The following steps will add or update FRU information.

20. Did you replace, add, or modify a FRU of the open service action event?

- **Yes:** Continue with the next step.
 - **No:** Go to step 22.
-

21. From the FRU list, select a FRU that you need to update. Double-click the FRU, and update the FRU information. Go to step 23.

22. Select the **No FRU Replaced for this Serviceable Event** option.

23. Click **OK** to close the service action event.

24. Is the list of all partitions you recorded in step 11 on page 82 empty?

- **Yes:** Go to step 32 on page 84.
 - **No:** Continue with the next step.
-

25. Does the list of all partitions you recorded in step 11 on page 82 contain more than one entry?

- **Yes:** Continue with the next step.
 - **No:** Go to step 32 on page 84.
-

26. Is the error class recorded in step 25 AIX?

- **Yes:** Continue with the next step.
 - **No:** Go to step 32 on page 84.
-

27. Perform the following steps for each entry in the list of all partitions you recorded in step 11 on page 82, except the partition you were using to debug the original problem.

28. From the HMC virtual terminal window of a partition in the list of all partitions, type `diag` at the AIX command prompt.

29. When the diagnostic operating instructions are displayed, do the following steps:

1. Press Enter.
 2. Select the **Task Selection** option.
 3. Select the **Log Repair** option.
 4. Select the resource associated with the repair action. If the repair action was reseating a cable or adapter, select the resource associated with that repair action. If the resource associated with your repair action is not displayed on the Resource List, select **sysplanar0**.
 5. Click **Commit** after you have made your selection.
-

Note: If the terminal type is not defined, you are prompted to define it before you can proceed.

30. Exit from diagnostics in this partition and return to the AIX prompt.
-

31. Have all the partitions in the list of all the partitions you recorded in step 11 on page 82 been processed?

- **Yes:** Continue with the next step.
 - **No:** Go to step 24 on page 83 to process the next partition in the list you recorded in step 11 on page 82.
-

32. Have all the serviceable events recorded in step 4 on page 81 been processed?

- **Yes:** Continue with the next step.
 - **No:** Go to step 5 on page 81 and process the next service action event in the list of serviceable events recorded in step 4 on page 81.
-

33. While processing all service action events, were you directed to step 14 on page 82?

- **Yes:** Continue with the next step.
 - **No:** If the system attention LED is still on, turn off the LED as described in "Activating and deactivating LEDs" on page 93. Return the system to the customer. **This completes the repair.**
Note: If during the processing of the list of open service action events, some service action events remained open, further service actions might be required to complete the repair.
-

34. Perform the following steps for each entry in the list of Axx partitions you began recording in step 14 on page 82, except the partition you were using to debug the original problem.
-

35. From the management console virtual terminal window of a partition in the list of Axx partitions, type `diag` at the AIX command prompt.
-

36. When the diagnostic operating instructions are displayed, do the following steps:

1. Press Enter.
 2. Select the **Task Selection** option.
Note: If the terminal type is not defined, you are prompted to define it before you can proceed.
 3. Select the **Log Repair** option.
 4. Select the resource associated with the repair action. If the repair action was reseating a cable or adapter, select the resource associated with that repair action. If the resource associated with your repair action is not displayed on the Resource List, select **sysplanar0**.
 5. Click **Commit** after you have made your selection.
-

37. Exit from diagnostics in this partition and return to the AIX prompt.

38. Have all the partitions in the list of Axx partitions you began recording in step 14 on page 82 been processed?

- **Yes:** Continue with the next step.
 - **No:** Go to step 34 on page 84 to process the next partition in the list you recorded in step 14 on page 82.
-

39. If the system attention LED is still on, turn off the LED as described in “Activating and deactivating LEDs” on page 93. This completes the repair. Return the system to the customer.

Note: If during the processing of the list of open service action events, some service action events remained open, further service actions might be required to complete the repair.

Closing a service call using AIX or Linux

If the server is not connected to a management console and not using Integrated Virtualization Manager (IVM), perform these procedures to close problem numbers, clear hardware messages, and prepare the server to return to the customer.

Follow this checklist before performing the procedures:

- Return the server to the state that the customer normally uses, such as IPL type, IPL mode, and the way the system is configured or partitioned.
Attention: Before returning the system to the customer, remove the system from service mode. If the system is left in service mode, it automatically places a call for service every two hours.
 - While you were performing the problem analysis on the original serviceable event, other serviceable-event numbers might have been opened. Close all serviceable events that were opened as a result of your service activity.
 - Ensure that server verification has been performed and that no problems require additional service actions.
 - If the repair was done using the IVM online repair procedures, ensure that the original serviceable event is now closed.
 1. Did you use an AIX diagnostics service aid hot-swap operation to change the FRU?
 - **Yes:** Go to step 4 on page 86
 - **No:** Continue with the next step.
-

2. Do you have any field-replaceable units (FRUs) (for example cards, adapters, cables, or devices) that were removed during problem analysis that you want to put back into the system?

Note: If the system planar or battery has been replaced and you are loading diagnostics from a server over a network, it might be necessary for the customer to set the network boot information for this system before diagnostics can be loaded. The system time and date information should also be set when the repair is completed.

- **Yes:** Reinstall all of the FRUs that were removed during problem analysis. Go to step 3
 - **No:** Continue with the next step.
-

3. Is the system or logical partition that you are performing a repair action on running the AIX operating system?

- **Yes:** Continue with the next step.
 - **No:** Go to step 5.
-

4. Does the system or logical partition you are performing a repair action on have AIX installed?

Note: Answer no to this question if you have just replaced a hard disk in the root volume group.

- **Yes:** Go to step 7.
 - **No:** Continue with the next step.
-

5. Run stand-alone diagnostics in problem determination mode from either a CD-ROM or from a Network Installation Management (NIM) server.

Note: For instructions on running stand-alone diagnostics from a CD and not using an HMC, go to Running the stand-alone diagnostics from CD on a server without an HMC attached.

For instructions on running stand-alone diagnostics from a NIM server, go to Running the stand-alone diagnostics from a Network Installation Management server.

Did you encounter any problems?

- **Yes:** Go to problem analysis.
 - **No:** Continue with the next step.
-

6. The system hardware is functioning correctly.

If the system attention LED is still on, turn off the LED as described in "Activating and deactivating LEDs" on page 93.

This completes the repair.

Note: If, during the processing of the list of open service action events, some service action events remained open, further service actions might be required to complete the repair.

Return the server to the state that the customer normally uses, such as IPL type, IPL mode, and the way the system is configured or partitioned. This might require you to reboot the operating system.

Attention: Before returning the system to the customer, remove the system from service mode. If the system is left in service mode, it automatically places a call for service every two hours.

7. Complete the following steps:

1. If the system supports slow boot (see Performing a slow boot), do a slow boot on the system. If the system does not support slow boot, do a normal boot.
2. Power on the system.
3. Wait until the AIX operating system login prompt displays or until system activity on the operator panel or display apparently has stopped.

Did the AIX Login Prompt display?

- **Yes:** Continue with the next step.
 - **No:** Go to problem analysis.
-

8. If the Resource Repair Action menu is already displayed, go to 12 on page 88; otherwise, do the following steps:

1. Log into the operating system, either with root authority (if needed, ask the customer to enter the password) or use the CE login.
 2. Enter the `diag -a` command and check for missing resources. Follow any instructions that display. If an system request number (SRN) displays, suspect a loose card or connection. If no instructions display, no resources were detected as missing. Continue with 9.
-

9. Complete the following steps:

1. Enter `diag` at the command prompt.
2. Press Enter.
3. Select the **Diagnostics Routines** option.
4. When the Diagnostic Mode Selection menu displays, select **Problem determination**.
5. When the Advanced Diagnostic Selection menu displays, select the **All Resources** option, or test the FRUs you exchanged, and any devices that are attached to the FRUs you exchanged, by selecting the diagnostics for the individual FRU.

Did the Resource Repair Action menu (801015) display?

- **Yes:** Go to step 13 on page 88.
 - **No:** Continue with the next step.
-

10. Did the TESTING COMPLETE, no trouble was found menu (801010) display?

- **Yes:** Continue with the next step.
 - **No:** There is still a problem. Go to problem analysis.
-

11. Use the **Log Repair Action** option, if not previously logged, in the TASK SELECTION menu to update the AIX error log. If the repair action was reseating a cable or adapter, select the resource associated with that repair action.

If the resource associated with your action is not displayed on the resource list, select **sysplanar0**.

Note: If the system attention indicator is on, this will set it back to the normal state. Go to step 14.

12. When a test is run on a resource in system verification mode, and that resource has an entry in the AIX error log, if the test on the resource was successful, the Resource Repair Action menu displays.

After replacing a FRU, you must select the resource for that FRU from the Resource Repair Action menu. This updates the AIX error log to indicate that a system-detectable FRU has been replaced.

Note: If the system attention indicator is on, this action will set it back to the normal state.

Do the following steps:

1. Select the resource that has been replaced from the Resource Repair Action menu. If the repair action was reseating a cable or adapter, select the resource associated with that repair action. If the resource associated with your action is not displayed on the resource list, select **sysplanar0**.
2. Press **Commit** after you make your selections.

Did another Resource Repair Action (801015) display?

- **Yes:** Continue with the next step.
 - **No:** If the No Trouble Found menu displays, go to step 14.
-

13. The parent or child of the resource you just replaced might also require that you run the Resource Repair Action service aid on it.

When a test is run on a resource in system verification mode, and that resource has an entry in the AIX error log, if the test on the resource was successful, the Resource Repair Action menu displays.

After replacing that FRU, you must select the resource for that FRU from the Resource Repair Action menu. This updates the AIX error log to indicate that a system-detectable FRU has been replaced.

Note: If the system attention indicator is on, this action will set it back to the normal state.

Do the following steps:

1. From the Resource Repair Action menu, select the parent or child of the resource that has been replaced. If the repair action was reseating a cable or adapter, select the resource associated with that repair action. If the resource associated with your action is not displayed on the resource list, select **sysplanar0**.
2. Press **COMMIT** after you make your selections.

Did the No Trouble Found menu display?

- **Yes:** Continue with the next step.
 - **No:** Go to problem analysis.
-

14. If you changed the service processor or network settings, as instructed in previous MAPs, restore the settings to the value they had prior to servicing the system. If you ran stand-alone diagnostics from CD-ROM, remove the stand-alone diagnostics CD-ROM from the system.

Did you perform service on a RAID subsystem involving changing of the PCI RAID adapter cache card or changing the configuration?

Note: This does not refer to the PCI-X RAID adapter or cache.

- **Yes:** Continue with the next step.
 - **No:** Go to step 16.
-

15. Use the **Recover Options** selection to resolve the RAID configuration. To do this, do the following steps:

1. On the PCI SCSI Disk Array Manager dialog, select **Recovery options**.
 2. If a previous configuration exists on the replacement adapter, this must be cleared. Select **Clear PCI SCSI Adapter Configuration** and press F3.
 3. On the Recovery Options dialog, select **Resolve PCI SCSI RAID Adapter Configuration**.
 4. On the Resolve PCI SCSI RAID Adapter Configuration dialog, select **Accept Configuration on Drives**.
 5. On the PCI SCSI RAID Adapter selections menu, select the adapter that you changed.
 6. On the next dialog, press Enter.
 7. When you see the Are You Sure selection menu, press Enter to continue.
 8. You should see an OK status message when the recover is complete. If you get a Failed status message, verify that you selected the correct adapter, and then repeat this procedure. When recover is complete, exit the operating system.
 9. Go to 16.
-

16. The system hardware is functioning correctly. Return the server to the state that the customer normally uses, such as IPL type, IPL mode, and the way the system is configured or partitioned.

Attention: Before returning the system to the customer, remove the system from service mode. If the system is left in service mode, it automatically places a call for service every two hours.

Closing a service call using Integrated Virtualization Manager

Perform these procedures to close problem numbers, clear hardware messages, and prepare the server to return to the customer.

Follow this checklist before performing the procedures:

- Return the server to the state that the customer normally uses, such as IPL type, IPL mode, and the way the system is configured or partitioned.
Attention: Before returning the system to the customer, remove the system from service mode. If the system is left in service mode, it automatically places a call for service every two hours.
 - While you were performing the problem analysis on the original serviceable event, other serviceable-event numbers might have been opened. Close all serviceable events that were opened as a result of your service activity.
 - Ensure that server verification has been performed and there are no problems that require additional service actions.
 - If the repair was done using the Integrated Virtualization Manager (IVM) online repair procedures, ensure that the original serviceable event is now closed.
 1. Record the system reference code (SRC) or symptom and the location code of the field-replaceable unit (FRU) you replaced, for future reference.
-

2. On the IVM, open **Manage Serviceable Events** and look at existing serviceable events.

3. Are there any service action events that are open?

- **Yes:** Continue with the next step.
 - **No:** If the system attention LED is still on, turn off the LED as described in “Activating and deactivating LEDs” on page 93. Return the system to the customer. **This completes the repair.**
-

4. Record the list of open service action events.

5. From the list of serviceable events recorded in step 4, perform step 6 through step 30 on page 92 for each open service action event.

6. Determine the error class of the serviceable event. Record for future use.

7. Examine the details of the open service action event.

Is the error code associated with this service action event the same as recorded in step 1 on page 89?

- **Yes:** Go to step 11.
 - **No:** Continue with the next step.
-

8. Examine the FRU list of the service action event. Are any FRUs listed for the service action event?

- **Yes:** Continue with the next step.
 - **No:** Go to step 11.
-

9. Is the FRU list identical (same FRUs, same number of FRUs, and same order of FRUs) to the FRU list of the error code recorded in step 1 on page 89?

- **Yes:** Go to step 11.
 - **No:** Continue with the next step.
-

10. Is the FRU you replaced and recorded in step 1 on page 89 in the list of FRUs for this service action event?

- **Yes:** Continue with the next step.
 - **No:** Go to step 30 on page 92.
Note: There are service action events that will remain open when you leave this MAP. Further service actions might be required to complete the repair.
-

11. Examine the details of this service action event, and record the partitions involved in this service action event for use in a later step.

12. Is the error code associated with this service action event of the form A11-xxx or A01-xxx?

- **Yes:** Continue with the next step.
 - **No:** Go to step 17.
-

13. Have you begun a list of Axx partitions from prior service action events that you processed in this maintenance analysis procedure (MAP)?

- **Yes:** Go to step 15.
 - **No:** Continue with the next step.
-

14. Begin a new list of Axx partitions by copying the list of partitions obtained in step 11 on page 90. Go to step 16.

15. Add the partition list obtained in step 11 on page 90 to the existing list of Axx partitions obtained from processing previous service action events in this MAP.

16. Remove all entries in the list of all partitions you recorded in step 11 on page 90. If you are referred to the list of partitions obtained in step 11 on page 90 in future steps, the list is empty. Go to step 17.

17. Select and highlight the service action event from the Manage Serviceable Events window.

18. Click **Close Event**.

19. Add comments for the serviceable event. Include any unique additional information. Click **OK**.

20. Add or update FRU information:

Did you replace, add, or modify a FRU of the open service action event?

- **Yes:** Continue with the next step.
 - **No:** Go to step 22.
-

21. Click **OK** to close the service action event.

22. Is the list of all partitions you recorded in step 11 on page 90 empty?

- **Yes:** Go to step 30 on page 92.
 - **No:** Continue with the next step.
-

23. Does the list of all partitions you recorded in step 11 on page 90 contain more than one entry?

- **Yes:** Continue with the next step.
 - **No:** Go to step 30.
-

24. Is the error class recorded in step 23 on page 91?

- **Yes:** Continue with the next step.
 - **No:** Go to step 30.
-

25. Perform the following steps for each entry in the list of all partitions you recorded in step 11 on page 90, except the partition you were using to debug the original problem.

26. From the IVM virtual terminal window of a partition in the list of all partitions, type `diag` at the AIX command prompt.

27. When the diagnostic operating instructions are displayed, do the following steps:

1. Press Enter.
 2. Select the **Task Selection** option.
 3. Select the **Log Repair** option.
 4. Select the resource associated with the repair action. If the repair action was reseating a cable or adapter, select the resource associated with that repair action. If the resource associated with your repair action is not displayed on the Resource List, select **sysplanar0**.
 5. Click **Commit** after you have made your selection.
-

Note: If the terminal type is not defined, you are prompted to define it before you can proceed.

28. Exit from diagnostics in this partition and return to the AIX prompt.

29. Have all the partitions in the list of all partitions you recorded in step 11 on page 90 been processed?

- **Yes:** Continue with the next step.
 - **No:** Go to step 25 to process the next partition in the list you recorded in step 11 on page 90.
-

30. Have all the serviceable events recorded in step 4 on page 90 been processed?

- **Yes:** Continue with the next step.
 - **No:** Go to step 5 on page 90 and process the next service action event in the list of serviceable events recorded in step 4 on page 90.
-

31. While processing all service action events, were you directed to step 14 on page 91?

- **Yes:** Continue with the next step.
 - **No:** If the system attention LED is still on, turn off the LED as described in “Activating and deactivating LEDs” on page 93. Return the system to the customer. **This completes the repair.**
Note: If during the processing of the list of open service action events, some service action events remained open, further service actions might be required to complete the repair.
-

32. Perform the following steps for each entry in the list of Axx partitions you began recording in step 14 on page 91, except the partition you were using to debug the original problem.

33. From the IVM virtual terminal window of a partition in the list of Axx partitions, type `diag` at the AIX command prompt.

34. When the diagnostic operating instructions are displayed, do the following steps:

1. Press Enter.
 2. Select the **Task Selection** option.
Note: If the terminal type is not defined, you are prompted to define it before you can proceed.
 3. Select the **Log Repair** option.
 4. Select the resource associated with the repair action. If the repair action was reseating a cable or adapter, select the resource associated with that repair action. If the resource associated with your repair action is not displayed on the Resource List, select **sysplanar0**.
 5. Click **Commit** after you have made your selection.
-

35. Exit from diagnostics in this partition and return to the AIX prompt.

36. Have all the partitions in the list of Axx partitions you began recording in step 14 on page 91 been processed?

- **Yes:** Continue with the next step.
 - **No:** Go to step 32 to process the next partition in the list you recorded in step 14 on page 91.
-

37. If the system attention LED is still on, turn off the LED as described in “Activating and deactivating LEDs.” This completes the repair. Return the system to the customer.

Note: If, during the processing of the list of open service action events, some service action events remained open, further service actions might be required to complete the repair.

Activating and deactivating LEDs

You can use these procedures to activate or deactivate light-emitting diodes (LEDs) using the management console or the Advanced System Management Interface (ASMI).

For IBM Power Systems servers that contain the POWER7 processor, the LEDs can be used to identify or verify a part that you are servicing. The error and identify function (amber) LED indicates an error and corresponds to the location code in the system reference code (SRC). The LED is activated and deactivated automatically.

Additionally, the following procedures can also be used to activate and deactivate LEDs.

- “Deactivating a system attention LED or partition LED using the management console” on page 94
- “Activating or deactivating an identify LED using the management console” on page 94
- “Deactivating a system attention LED or logical partition LED using the Advanced System Management Interface” on page 95

- “Activating or deactivating an identify LED using the Advanced System Management Interface” on page 96

Deactivating a system attention LED or partition LED using the management console

You can deactivate a system attention LED or a logical partition LED if you decide that a problem is not a high priority and you decide to repair the problem at a later time. You can do this task from the Hardware Management Console (HMC) or the IBM Systems Director Management Console (SDMC).

If you want to be alerted if another problem occurs, you must deactivate the system attention LED so that it can be activated again if another problem occurs.

To deactivate a system attention LED by using HMC, complete the following steps:

1. In the navigation area, open **Systems management**.
2. Select the server you are working on by checking the box next to its name.
3. Open **Operations**.
4. Open **LED Status**.
5. Select **View System Attention**. The system attention LED window opens. The selected system and its LED state are displayed in the upper part of the window. The logical partition and its LED state are displayed in the lower part of the window. From the system attention LED window, you can deactivate both the system attention LED and the logical partition LED.
6. Select **Deactivate System Attention LED** from the Action menu. A confirmation window is displayed that provides the following information:
 - A verification that the system attention LED was deactivated.
 - An indication that there still might be open problems within the system.
 - An indication that you cannot activate the system attention LED.
7. Select one of the logical partitions in the lower table, and select **Deactivate partition LED** from the Partition Operations menu. A confirmation window is displayed that provides the following information:
 - A verification that the logical partition LED was deactivated.
 - An indication that there still might be open problems within the logical partition.
 - An indication that you cannot activate the logical partition LED.

To deactivate a system attention LED by using SDMC, complete the following steps:

1. On the **Welcome** page, under the **Resources** tab, select the server.
2. Click **Actions > Service and Support > Hardware > System Attention LED**.
3. Click **OK**.

Activating or deactivating an identify LED using the management console

You can activate or deactivate an identify LED for components attached to the system from the Hardware Management Console (HMC) or the IBM Systems Director Management Console (SDMC).

The system provides several LEDs that help identify various components, such as enclosures or field-replaceable units (FRUs), in the system. For this reason, they are called *identify LEDs*.

You can activate or deactivate the following types of identify LEDs:

- **Identify LED for an enclosure** If you want to add an adapter to a specific drawer (enclosure), you need to know the machine type, model, and serial number (MTMS) of the drawer. To determine whether you have the correct MTMS for the drawer that needs the new adapter, you can activate the LED for a drawer and verify that the MTMS corresponds to the drawer that requires the new adapter.

- **Identify LED for a FRU associated with a specified enclosure** If you want to hook up a cable to a specific I/O adapter, you can activate the LED for the adapter, which is a field replaceable unit (FRU), and then physically check to see where you should hook up the cable. This is especially useful when you have several adapters with open ports.

To activate or deactivate an identify LED for an enclosure or FRU by using the HMC, follow these steps:

1. In the navigation area, open **Systems management**.
2. Select the server you are working on.
3. Click **Operations** → **LED Status** → **Identify LED**. The Identify LED, Select Enclosure window opens.
4. To activate or deactivate an identify LED for an enclosure, select an enclosure from the table, and click either **Activate LED** or **Deactivate LED**. The associated LED is either turned on or off.
5. To activate or deactivate an identify LED for a FRU, select an enclosure from the table, and then select **Selected** → **List FRUs**.
6. Select one or more FRUs from the table, and click either **Activate LED** or **Deactivate LED**. The associated LED is either turned on or off.

To activate or deactivate an identify LED for an enclosure or FRU by using the SDMC, complete these steps:

1. On the **Welcome** page, under the **Resources** tab, select the server.
2. Click **Actions** > **Service and Support**> **Hardware**> **Identify LED**.
3. To activate or deactivate an identify LED for an enclosure, select an enclosure from the table, and click either **Activate LED** or **Deactivate LED**. The associated LED is either turned on or off.
4. To activate or deactivate an identify LED for a FRU, select an enclosure from the table, and then click **List FRUs**.
5. Select one or more FRUs from the table, and then click either **Activate LED** or **Deactivate LED**. The associated LED is either turned on or off.

Deactivating a system attention LED or logical partition LED using the Advanced System Management Interface

You can deactivate a system attention LED or a logical partition LED using the Advanced System Management Interface (ASMI).

The system attention indicator provides a visual signal that the system as a whole requires attention or service. Each system has a single system attention indicator. When an event occurs that either needs your intervention or that of service and support, the system attention indicator lights continuously. The system attention indicator is turned on when an entry is made in the service processor error log. The error entry is transmitted to the system error log and the operating system error log.

To perform this operation, your authority level must be one of the following levels:

- Administrator
- Authorized service provider

To turn off the system attention indicator, do the following steps:

1. On the ASMI Welcome pane, specify your user ID and password, and click **Log In**.
2. In the navigation area, expand **System Configuration** → **Service Indicators** → **System Attention Indicator**.
3. In the right pane, click **Turn off system attention indicator**. If the attempt is unsuccessful, an error message is displayed.

Activating or deactivating an identify LED using the Advanced System Management Interface

You can activate or deactivate an identify LED using the Advanced System Management Interface (ASMI).

You can specify the location code of any indicator to view or modify its current state. If you provide the wrong location code, the advanced system manager attempts to go to the next higher level of the location code.

The next level is the base-level location code for that field replaceable unit (FRU). For example, a user types the location code for the FRU located on the second I/O slot of the third enclosure in the system. If the location code for the second I/O slot is incorrect (the FRU does not exist at this location), an attempt to set the indicator for the third enclosure is initiated. This process continues until a FRU is located or no other level is available.

To perform this operation, your authority level must be one of the following levels:

- Administrator
- Authorized service provider

To change the current state of an indicator, do the following steps:

1. On the ASMI Welcome pane, specify your user ID and password, and click **Log In**.
2. In the navigation area, expand **System Configuration** → **Service Indicators** → **Indicators by Location code**.
3. In the right pane, enter the location code of the FRU and click **Continue**.
4. Select the preferred state from the list.
5. Click **Save settings**.

Notices

This information was developed for products and services offered in the U.S.A.

The manufacturer may not offer the products, services, or features discussed in this document in other countries. Consult the manufacturer's representative for information on the products and services currently available in your area. Any reference to the manufacturer's product, program, or service is not intended to state or imply that only that product, program, or service may be used. Any functionally equivalent product, program, or service that does not infringe any intellectual property right of the manufacturer may be used instead. However, it is the user's responsibility to evaluate and verify the operation of any product, program, or service.

The manufacturer may have patents or pending patent applications covering subject matter described in this document. The furnishing of this document does not grant you any license to these patents. You can send license inquiries, in writing, to the manufacturer.

The following paragraph does not apply to the United Kingdom or any other country where such provisions are inconsistent with local law: THIS INFORMATION IS PROVIDED "AS IS" WITHOUT WARRANTY OF ANY KIND, EITHER EXPRESS OR IMPLIED, INCLUDING, BUT NOT LIMITED TO, THE IMPLIED WARRANTIES OF NON-INFRINGEMENT, MERCHANTABILITY OR FITNESS FOR A PARTICULAR PURPOSE. Some states do not allow disclaimer of express or implied warranties in certain transactions, therefore, this statement may not apply to you.

This information could include technical inaccuracies or typographical errors. Changes are periodically made to the information herein; these changes will be incorporated in new editions of the publication. The manufacturer may make improvements and/or changes in the product(s) and/or the program(s) described in this publication at any time without notice.

Any references in this information to websites not owned by the manufacturer are provided for convenience only and do not in any manner serve as an endorsement of those websites. The materials at those websites are not part of the materials for this product and use of those websites is at your own risk.

The manufacturer may use or distribute any of the information you supply in any way it believes appropriate without incurring any obligation to you.

Any performance data contained herein was determined in a controlled environment. Therefore, the results obtained in other operating environments may vary significantly. Some measurements may have been made on development-level systems and there is no guarantee that these measurements will be the same on generally available systems. Furthermore, some measurements may have been estimated through extrapolation. Actual results may vary. Users of this document should verify the applicable data for their specific environment.

Information concerning products not produced by this manufacturer was obtained from the suppliers of those products, their published announcements or other publicly available sources. This manufacturer has not tested those products and cannot confirm the accuracy of performance, compatibility or any other claims related to products not produced by this manufacturer. Questions on the capabilities of products not produced by this manufacturer should be addressed to the suppliers of those products.

All statements regarding the manufacturer's future direction or intent are subject to change or withdrawal without notice, and represent goals and objectives only.

The manufacturer's prices shown are the manufacturer's suggested retail prices, are current and are subject to change without notice. Dealer prices may vary.

This information is for planning purposes only. The information herein is subject to change before the products described become available.

This information contains examples of data and reports used in daily business operations. To illustrate them as completely as possible, the examples include the names of individuals, companies, brands, and products. All of these names are fictitious and any similarity to the names and addresses used by an actual business enterprise is entirely coincidental.

If you are viewing this information in softcopy, the photographs and color illustrations may not appear.

The drawings and specifications contained herein shall not be reproduced in whole or in part without the written permission of the manufacturer.

The manufacturer has prepared this information for use with the specific machines indicated. The manufacturer makes no representations that it is suitable for any other purpose.

The manufacturer's computer systems contain mechanisms designed to reduce the possibility of undetected data corruption or loss. This risk, however, cannot be eliminated. Users who experience unplanned outages, system failures, power fluctuations or outages, or component failures must verify the accuracy of operations performed and data saved or transmitted by the system at or near the time of the outage or failure. In addition, users must establish procedures to ensure that there is independent data verification before relying on such data in sensitive or critical operations. Users should periodically check the manufacturer's support websites for updated information and fixes applicable to the system and related software.

Ethernet connection usage restriction

This product is not intended to be connected directly or indirectly by any means whatsoever to interfaces of public telecommunications networks.

Trademarks

IBM, the IBM logo, and ibm.com are trademarks or registered trademarks of International Business Machines Corp., registered in many jurisdictions worldwide. Other product and service names might be trademarks of IBM or other companies. A current list of IBM trademarks is available on the Web at Copyright and trademark information at www.ibm.com/legal/copytrade.shtml.

Linux is a registered trademark of Linus Torvalds in the United States, other countries, or both.

Other product or service names might be trademarks of IBM or other companies.

Electronic emission notices

When attaching a monitor to the equipment, you must use the designated monitor cable and any interference suppression devices supplied with the monitor.

Class A Notices

The following Class A statements apply to the IBM servers that contain the POWER7 processor and its features unless designated as electromagnetic compatibility (EMC) Class B in the feature information.

Federal Communications Commission (FCC) statement

Note: This equipment has been tested and found to comply with the limits for a Class A digital device, pursuant to Part 15 of the FCC Rules. These limits are designed to provide reasonable protection against harmful interference when the equipment is operated in a commercial environment. This equipment

generates, uses, and can radiate radio frequency energy and, if not installed and used in accordance with the instruction manual, may cause harmful interference to radio communications. Operation of this equipment in a residential area is likely to cause harmful interference, in which case the user will be required to correct the interference at his own expense.

Properly shielded and grounded cables and connectors must be used in order to meet FCC emission limits. IBM is not responsible for any radio or television interference caused by using other than recommended cables and connectors or by unauthorized changes or modifications to this equipment. Unauthorized changes or modifications could void the user's authority to operate the equipment.

This device complies with Part 15 of the FCC rules. Operation is subject to the following two conditions: (1) this device may not cause harmful interference, and (2) this device must accept any interference received, including interference that may cause undesired operation.

Industry Canada Compliance Statement

This Class A digital apparatus complies with Canadian ICES-003.

Avis de conformité à la réglementation d'Industrie Canada

Cet appareil numérique de la classe A est conforme à la norme NMB-003 du Canada.

European Community Compliance Statement

This product is in conformity with the protection requirements of EU Council Directive 2004/108/EC on the approximation of the laws of the Member States relating to electromagnetic compatibility. IBM cannot accept responsibility for any failure to satisfy the protection requirements resulting from a non-recommended modification of the product, including the fitting of non-IBM option cards.

This product has been tested and found to comply with the limits for Class A Information Technology Equipment according to European Standard EN 55022. The limits for Class A equipment were derived for commercial and industrial environments to provide reasonable protection against interference with licensed communication equipment.

European Community contact:
IBM Deutschland GmbH
Technical Regulations, Department M456
IBM-Allee 1, 71139 Ehningen, Germany
Tele: +49 7032 15-2937
email: tjahn@de.ibm.com

Warning: This is a Class A product. In a domestic environment, this product may cause radio interference, in which case the user may be required to take adequate measures.

VCCI Statement - Japan

この装置は、クラスA情報技術装置です。この装置を家庭環境で使用すると電波妨害を引き起こすことがあります。この場合には使用者が適切な対策を講ずるよう要求されることがあります。

VCCI-A

The following is a summary of the VCCI Japanese statement in the box above:

This is a Class A product based on the standard of the VCCI Council. If this equipment is used in a domestic environment, radio interference may occur, in which case, the user may be required to take corrective actions.

Japanese Electronics and Information Technology Industries Association (JEITA) Confirmed Harmonics Guideline (products less than or equal to 20 A per phase)

高調波ガイドライン適合品

Japanese Electronics and Information Technology Industries Association (JEITA) Confirmed Harmonics Guideline with Modifications (products greater than 20 A per phase)

高調波ガイドライン準用品

Electromagnetic Interference (EMI) Statement - People's Republic of China

声 明

此为 A 级产品,在生活环境
中,该产品可能会造成无线电干
扰。在这种情况下,可能需要用
户对其干扰采取切实可行的措
施。

Declaration: This is a Class A product. In a domestic environment this product may cause radio interference in which case the user may need to perform practical action.

Electromagnetic Interference (EMI) Statement - Taiwan

警告使用者：

這是甲類的資訊產品，在居住的環境中使用時，可能會造成射頻干擾，在這種情況下，使用者會被要求採取某些適當的對策。

The following is a summary of the EMI Taiwan statement above.

Warning: This is a Class A product. In a domestic environment this product may cause radio interference in which case the user will be required to take adequate measures.

IBM Taiwan Contact Information:

台灣IBM 產品服務聯絡方式：
台灣國際商業機器股份有限公司
台北市松仁路7號3樓
電話：0800-016-888

Electromagnetic Interference (EMI) Statement - Korea

이 기기는 업무용(A급)으로 전자파적합기기로서 판매자 또는 사용자는 이 점을 주의하시기 바라며, 가정외의 지역에서 사용하는 것을 목적으로 합니다.

Germany Compliance Statement

Deutschsprachiger EU Hinweis: Hinweis für Geräte der Klasse A EU-Richtlinie zur Elektromagnetischen Verträglichkeit

Dieses Produkt entspricht den Schutzanforderungen der EU-Richtlinie 2004/108/EG zur Angleichung der Rechtsvorschriften über die elektromagnetische Verträglichkeit in den EU-Mitgliedsstaaten und hält die Grenzwerte der EN 55022 Klasse A ein.

Um dieses sicherzustellen, sind die Geräte wie in den Handbüchern beschrieben zu installieren und zu betreiben. Des Weiteren dürfen auch nur von der IBM empfohlene Kabel angeschlossen werden. IBM übernimmt keine Verantwortung für die Einhaltung der Schutzanforderungen, wenn das Produkt ohne Zustimmung von IBM verändert bzw. wenn Erweiterungskomponenten von Fremdherstellern ohne Empfehlung von IBM gesteckt/eingebaut werden.

EN 55022 Klasse A Geräte müssen mit folgendem Warnhinweis versehen werden:

"Warnung: Dieses ist eine Einrichtung der Klasse A. Diese Einrichtung kann im Wohnbereich Funk-Störungen verursachen; in diesem Fall kann vom Betreiber verlangt werden, angemessene Maßnahmen zu ergreifen und dafür aufzukommen."

Deutschland: Einhaltung des Gesetzes über die elektromagnetische Verträglichkeit von Geräten

Dieses Produkt entspricht dem "Gesetz über die elektromagnetische Verträglichkeit von Geräten (EMVG)". Dies ist die Umsetzung der EU-Richtlinie 2004/108/EG in der Bundesrepublik Deutschland.

Zulassungsbescheinigung laut dem Deutschen Gesetz über die elektromagnetische Verträglichkeit von Geräten (EMVG) (bzw. der EMC EG Richtlinie 2004/108/EG) für Geräte der Klasse A

Dieses Gerät ist berechtigt, in Übereinstimmung mit dem Deutschen EMVG das EG-Konformitätszeichen - CE - zu führen.

Verantwortlich für die Einhaltung der EMV Vorschriften ist der Hersteller:
International Business Machines Corp.
New Orchard Road
Armonk, New York 10504
Tel: 914-499-1900

Der verantwortliche Ansprechpartner des Herstellers in der EU ist:
IBM Deutschland GmbH
Technical Regulations, Abteilung M456
IBM-Allee 1, 71139 Ehningen, Germany
Tel: +49 7032 15-2937
email: tjahn@de.ibm.com

Generelle Informationen:

Das Gerät erfüllt die Schutzanforderungen nach EN 55024 und EN 55022 Klasse A.

Electromagnetic Interference (EMI) Statement - Russia

ВНИМАНИЕ! Настоящее изделие относится к классу А.
В жилых помещениях оно может создавать
радиопомехи, для снижения которых необходимы
дополнительные меры

Class B Notices

The following Class B statements apply to features designated as electromagnetic compatibility (EMC) Class B in the feature installation information.

Federal Communications Commission (FCC) statement

This equipment has been tested and found to comply with the limits for a Class B digital device, pursuant to Part 15 of the FCC Rules. These limits are designed to provide reasonable protection against harmful interference in a residential installation.

This equipment generates, uses, and can radiate radio frequency energy and, if not installed and used in accordance with the instructions, may cause harmful interference to radio communications. However, there is no guarantee that interference will not occur in a particular installation.

If this equipment does cause harmful interference to radio or television reception, which can be determined by turning the equipment off and on, the user is encouraged to try to correct the interference by one or more of the following measures:

- Reorient or relocate the receiving antenna.
- Increase the separation between the equipment and receiver.
- Connect the equipment into an outlet on a circuit different from that to which the receiver is connected.
- Consult an IBM-authorized dealer or service representative for help.

Properly shielded and grounded cables and connectors must be used in order to meet FCC emission limits. Proper cables and connectors are available from IBM-authorized dealers. IBM is not responsible for

any radio or television interference caused by unauthorized changes or modifications to this equipment. Unauthorized changes or modifications could void the user's authority to operate this equipment.

This device complies with Part 15 of the FCC rules. Operation is subject to the following two conditions: (1) this device may not cause harmful interference, and (2) this device must accept any interference received, including interference that may cause undesired operation.

Industry Canada Compliance Statement

This Class B digital apparatus complies with Canadian ICES-003.

Avis de conformité à la réglementation d'Industrie Canada

Cet appareil numérique de la classe B est conforme à la norme NMB-003 du Canada.

European Community Compliance Statement

This product is in conformity with the protection requirements of EU Council Directive 2004/108/EC on the approximation of the laws of the Member States relating to electromagnetic compatibility. IBM cannot accept responsibility for any failure to satisfy the protection requirements resulting from a non-recommended modification of the product, including the fitting of non-IBM option cards.

This product has been tested and found to comply with the limits for Class B Information Technology Equipment according to European Standard EN 55022. The limits for Class B equipment were derived for typical residential environments to provide reasonable protection against interference with licensed communication equipment.

European Community contact:
IBM Deutschland GmbH
Technical Regulations, Department M456
IBM-Allee 1, 71139 Ehningen, Germany
Tele: +49 7032 15-2937
email: tjahn@de.ibm.com

VCCI Statement - Japan

この装置は、クラスB情報技術装置です。この装置は、家庭環境で使用することを目的としていますが、この装置がラジオやテレビジョン受信機に近接して使用されると、受信障害を引き起こすことがあります。

取扱説明書に従って正しい取り扱いをして下さい。 VCCI-B

Japanese Electronics and Information Technology Industries Association (JEITA) Confirmed Harmonics Guideline (products less than or equal to 20 A per phase)

高調波ガイドライン適合品

**Japanese Electronics and Information Technology Industries Association (JEITA)
Confirmed Harmonics Guideline with Modifications (products greater than 20 A per
phase)**

高調波ガイドライン準用品

IBM Taiwan Contact Information

台灣IBM 產品服務聯絡方式：
台灣國際商業機器股份有限公司
台北市松仁路7號3樓
電話：0800-016-888

Electromagnetic Interference (EMI) Statement - Korea

이 기기는 가정용(B급)으로 전자파적합기기로서 주로 가정에서 사용하는 것을 목적으로 하며, 모든 지역에서 사용할 수 있습니다.

Germany Compliance Statement

**Deutschsprachiger EU Hinweis: Hinweis für Geräte der Klasse B EU-Richtlinie zur
Elektromagnetischen Verträglichkeit**

Dieses Produkt entspricht den Schutzanforderungen der EU-Richtlinie 2004/108/EG zur Angleichung der Rechtsvorschriften über die elektromagnetische Verträglichkeit in den EU-Mitgliedsstaaten und hält die Grenzwerte der EN 55022 Klasse B ein.

Um dieses sicherzustellen, sind die Geräte wie in den Handbüchern beschrieben zu installieren und zu betreiben. Des Weiteren dürfen auch nur von der IBM empfohlene Kabel angeschlossen werden. IBM übernimmt keine Verantwortung für die Einhaltung der Schutzanforderungen, wenn das Produkt ohne Zustimmung von IBM verändert bzw. wenn Erweiterungskomponenten von Fremdherstellern ohne Empfehlung von IBM gesteckt/eingebaut werden.

Deutschland: Einhaltung des Gesetzes über die elektromagnetische Verträglichkeit von Geräten

Dieses Produkt entspricht dem "Gesetz über die elektromagnetische Verträglichkeit von Geräten (EMVG)". Dies ist die Umsetzung der EU-Richtlinie 2004/108/EG in der Bundesrepublik Deutschland.

**Zulassungsbescheinigung laut dem Deutschen Gesetz über die elektromagnetische Verträglichkeit von
Geräten (EMVG) (bzw. der EMC EG Richtlinie 2004/108/EG) für Geräte der Klasse B**

Dieses Gerät ist berechtigt, in Übereinstimmung mit dem Deutschen EMVG das EG-Konformitätszeichen - CE - zu führen.

Verantwortlich für die Einhaltung der EMV Vorschriften ist der Hersteller:

International Business Machines Corp.

New Orchard Road

Armonk, New York 10504

Tel: 914-499-1900

Der verantwortliche Ansprechpartner des Herstellers in der EU ist:

IBM Deutschland GmbH

Technical Regulations, Abteilung M456

IBM-Allee 1, 71139 Ehningen, Germany

Tel: +49 7032 15-2937

email: tjahn@de.ibm.com

Generelle Informationen:

Das Gerät erfüllt die Schutzanforderungen nach EN 55024 und EN 55022 Klasse B.

Terms and conditions

Permissions for the use of these publications is granted subject to the following terms and conditions.

Personal Use: You may reproduce these publications for your personal, noncommercial use provided that all proprietary notices are preserved. You may not distribute, display or make derivative works of these publications, or any portion thereof, without the express consent of the manufacturer.

Commercial Use: You may reproduce, distribute and display these publications solely within your enterprise provided that all proprietary notices are preserved. You may not make derivative works of these publications, or reproduce, distribute or display these publications or any portion thereof outside your enterprise, without the express consent of the manufacturer.

Except as expressly granted in this permission, no other permissions, licenses or rights are granted, either express or implied, to the publications or any information, data, software or other intellectual property contained therein.

The manufacturer reserves the right to withdraw the permissions granted herein whenever, in its discretion, the use of the publications is detrimental to its interest or, as determined by the manufacturer, the above instructions are not being properly followed.

You may not download, export or re-export this information except in full compliance with all applicable laws and regulations, including all United States export laws and regulations.

THE MANUFACTURER MAKES NO GUARANTEE ABOUT THE CONTENT OF THESE PUBLICATIONS. THESE PUBLICATIONS ARE PROVIDED "AS-IS" AND WITHOUT WARRANTY OF ANY KIND, EITHER EXPRESSED OR IMPLIED, INCLUDING BUT NOT LIMITED TO IMPLIED WARRANTIES OF MERCHANTABILITY, NON-INFRINGEMENT, AND FITNESS FOR A PARTICULAR PURPOSE.



Printed in USA

Free Manuals Download Website

<http://myh66.com>

<http://usermanuals.us>

<http://www.somanuals.com>

<http://www.4manuals.cc>

<http://www.manual-lib.com>

<http://www.404manual.com>

<http://www.luxmanual.com>

<http://aubethermostatmanual.com>

Golf course search by state

<http://golfingnear.com>

Email search by domain

<http://emailbydomain.com>

Auto manuals search

<http://auto.somanuals.com>

TV manuals search

<http://tv.somanuals.com>