



# Provisioning

---

The Provisioning Management chapter of the Cisco Internet OSS for VoIP: Infrastructure Manager (Cisco VoIP: Infrastructure Manager) Solution is the second chapter in a four chapter Cisco VoIP: Infrastructure Manager Solution document. Provisioning management, in the context of this Solution, deals with the provisioning of network elements and the management of those configuration files. This guide details the network architecture, provisioning management applications, configuration file management applications, and the deployment strategies surrounding Cisco's Configuration Management Solution.

## Overview

Cisco employs a distributed model for its service provider, Voice over IP (VoIP) product suite. Although, at a certain level, each deployed device requires a unique instance of an Element Management System (EMS) to provide upstream information pertaining to fault, performance, and provisioning, it is incumbent upon the Network Management System (NMS) to appear as a virtual entity that hides the individual element complexity.

A complete NMS Solution adheres to the Fault, Configuration, Accounting, Performance and Security (FCAPS) model. The solution covered in this document finds its place in the Configuration portion of the FCAPS model. It is a component chapter in the Cisco VoIP: Infrastructure Manager Solution and deals specifically with configuration and provisioning management. It is intended to be referenced in conjunction with the companion chapters dealing with performance and fault management.

## Description

This chapter is a collection of published material, all available on Cisco Connection Online (CCO). All the specifics of importance in this document can be found in one or more of the documents listed in the [“Related Documents”](#) section. Each URL listed in the [“Related Documents”](#) section points to documentation for a particular application or pair of applications and is complete in its own right for that application. This guide pulls together the information available for all of the provisioning applications of importance to the Cisco VoIP: Infrastructure Manager Solution.

For all of the applications or functionality detailed in this guide, there is a comprehensive set of documents available on CCO. The [“Related Documents”](#) section is a to guide to finding them.

## Target Market

The applications and devices described in this document are positioned for service provider scale, VoIP networks. Although many of the applications can be deployed in enterprises and smaller scale networks, the solution suite referred to in this Solution guide is aimed at the large carriers and providers of VoIP network bandwidth and services. It also concentrates on the devices deployed in a VoIP network, although non-VoIP devices integral to the VoIP network must also be taken into account.

## Scope of the Solution

The provisioning component of the Cisco VoIP: Infrastructure Manager Solution provides the applications and network level visibility required to manage the distributed telephony architectures detailed in the next sections.

The Cisco Packet Telephony Center application operates at the Network Management Layer (NML) of the Telecommunications Management Network (TMN) hierarchy. Its most important function is the realization of a virtual entity view, hiding much of the internal complexity of the OPT network detailed in the [“Solution Architecture”](#) section. The Cisco Voice Routing Center (Cisco VRC) application is used to help service providers manage dial plans for H.323 based VoIP networks. Cisco VRC can be applied to existing networks with working dial plans and can also be used to design new dial plans for the set of gateways, gatekeepers, and directory gatekeepers.

The Cisco CNS Intelligence Engine 2100 Series (Cisco CNS IE2100 Series) is a network management device that acts as a configuration service for automating the deployment and management of network devices and services.

The Cisco MGC Node Manager (CMNM) provides an element management system for the PSTN Gateway (PGW 2200). CMNM provides alarm processing and performance data collection that can be displayed in a self contained Graphical User Interface (GUI) or forwarded to upstream processing applications.

The provisioning component of the CMNM comprises two applications:

- Voice Services Provisioning Tool (VSPT)
- CiscoView.

VSPT is used as a provisioning service for the PGW 2200. VSPT communicates in Man Machine Language (MML) to the PGW 2200, to configure point codes, link sets and SS7 paths and routes CiscoView displays and monitors, and provides a GUI for chassis configuration for the Cisco SLT (c2600 series) and LAN switch (Cisco Catalyst 2900, 5500 and 6509) devices.

## Document Purpose

A large collection of documentation, referenced in the [“Related Documents”](#) section, covering the descriptions, installation, and preliminary setup of the applications and components of this Provisioning Management Solution. The purpose of this chapter is to describe a basic network containing the network elements that are covered by these applications, install the management applications that comprise the provisioning application set of the Internet OSS (IOSS) for packet voice networks, complete initial configuration of those applications, and then use them to provision a sample network.

For detailed, in-depth information on installation and configuration of the individual applications, refer to the documentation listed in the [“Related Documents”](#) section, that is available on Cisco Connection Online. This chapter attempts to serve as a quick start guide to help you understand the entire Provisioning Solution and how it fits into the overall Cisco VoIP: Infrastructure Manager Solution.

# Solution Architecture

## Open Packet Telephony Overview

As an introduction to the Cisco VoIP: Infrastructure Manager Solution's provisioning component applications and devices, the following overview of the emerging technology of distributed packet telephony is presented.

Telephony is no longer solely the domain of Public Switched Telephone Networks (PSTNs). Software and protocols that allow telephone calls over packet networks, such as the Internet, have entered the market place. They are based on:

- the Media Gateway Control Protocol (MGCP) and related protocols such as the Simple Gateway Control Protocol (SGCP) and Megaco/H.248
- the Session Initiation Protocol (SIP)
- H.323.

This discussion focuses on MGCP and H.323, which are both supported by the Cisco Packet Telephony Center and the entire provisioning suite of applications in the Internet OSS for packet based voice networks.

## Examples of Open Packet Telephony Networks

[Figure 2-1](#) depicts an example of an MGCP-based OPT network. (In this discussion, there is no need to distinguish further between the different MGCP derivatives, Megaco, H.248, and SGCP.) The bearer plane is responsible for the transport of the actual payload. Network elements within the bearer plane need not be concerned with the specifics of telephony applications. Switches or routers between media gateways at the edge of the OPT network provide for the actual bearer fabric (the *data cloud*), shuffling data packets back and forth. The control plane is responsible for signaling processing and call control; it is here that the actual call-processing intelligence resides. The components in the control plane are commonly referred to as Media Gateway Controllers (MGCs). MGCs control media gateways by instructing them when to set up or tear down connections, requesting notification of specific events for further processing, and so on. They contain all the logic required for telephony applications, including Signaling System 7 (SS7) signaling termination, collection of accounting information, and, very importantly, directory functions and call-level routing based on dial plans. In terms of numbers of devices, there tend to be much fewer MGCs than media gateways, meaning that call intelligence is fairly centralized.

Figure 2-1 MGCP Packet Voice Network

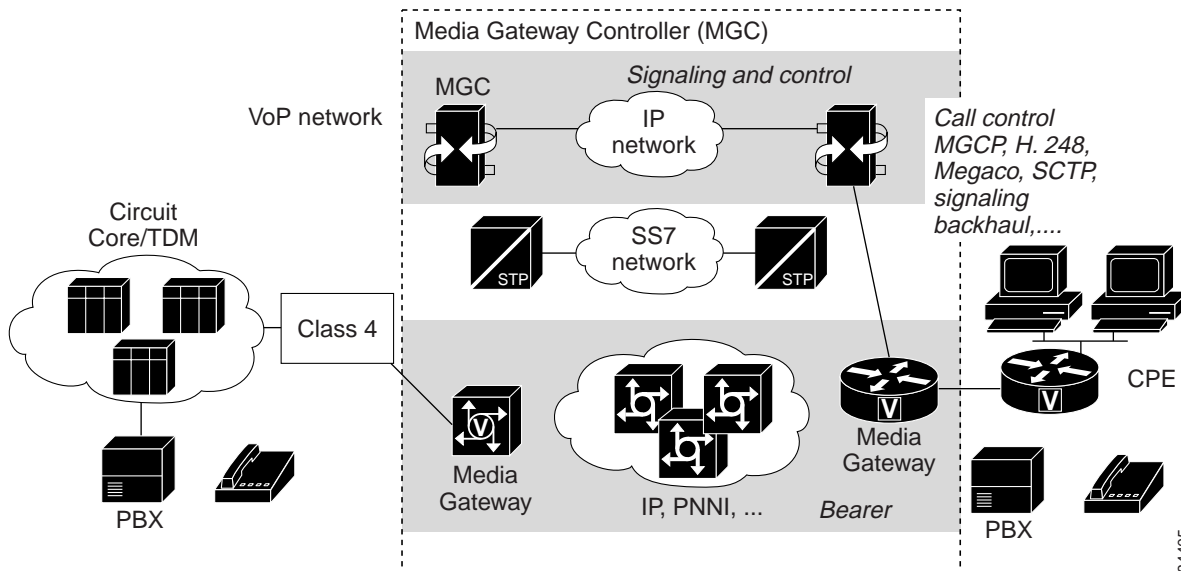
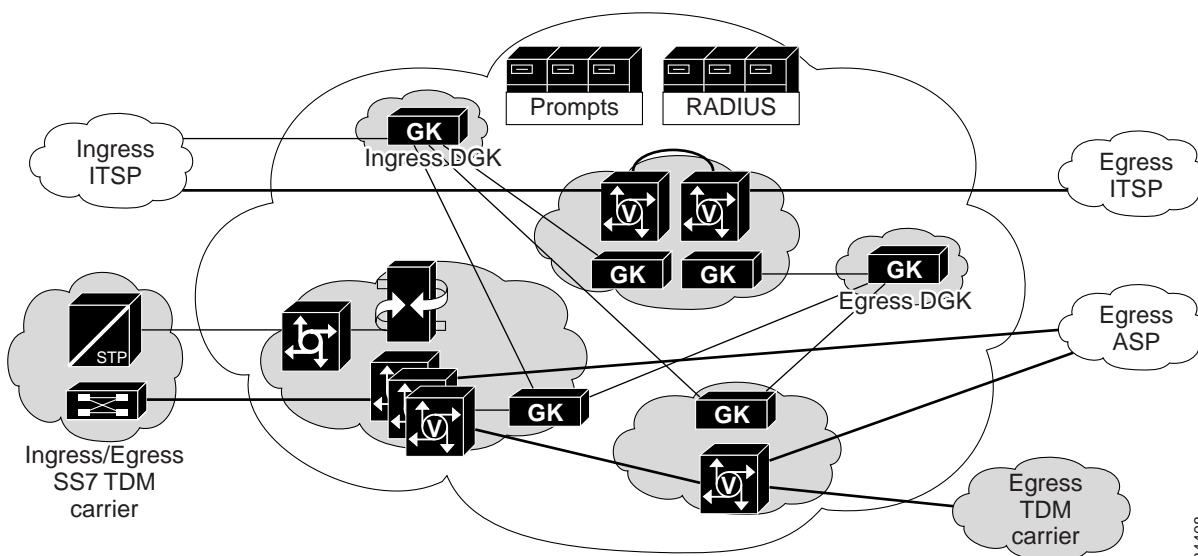


Figure 2-2 depicts an H.323-based network for Voice Infrastructure and Applications (VIA) Solution. Similar to the MGCP network, gateways are at the edge of the network, with routers between them providing for the bearer fabric that shuffles the payload back and forth. In H.323, unlike in MGCP, call intelligence and the ability to process signaling does reside in the H.323 gateways. Intelligence is, therefore, much more distributed, compared with MGCP-based networks. However, call processing is still distributed between gateways and gatekeepers. Gatekeepers are able to make call-level routing decisions based on dial plans.

In addition, gatekeeper hierarchies can be deployed, reflecting dial-plan hierarchies, with directory gatekeepers on top of gatekeepers. Likewise, gatekeepers can be supported by route servers in their decisions. If required, SS7 capabilities are provided through signaling converters that mediate and back haul the signaling information between the gateway and the SS7 Signal Transfer Point.

Figure 2-2 H.323 Based Packet Voice Network



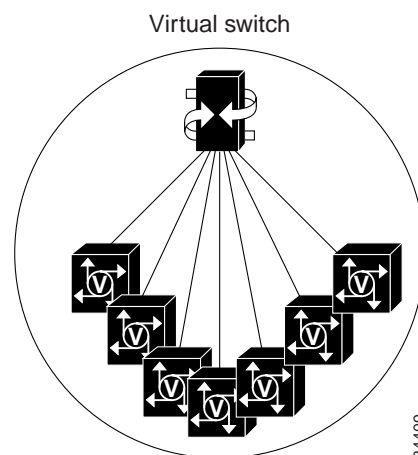
## Virtual Entities in the Network

The requirements for coordinated element management are extensive. For instance, the media gateway and MGC must be synchronized regarding the voice endpoints. Although the MGC has a concept of a trunk, this concept is unknown to the media gateway that has the actual resources (TDM endpoints, ports) that constitute the trunk. Therefore, the knowledge that both the media gateway and the MGC have of the trunk must be managed in a coordinated way. Registration and synchronization of capabilities must be assured. Beyond element management, failures in voice service, observed at the MGC, must be correlated with failures in the bearer network. Resources used at the media gateway and controlled by the MGC must be associated with voice service, which the media gateway has no concept of.

Users require support for such management coordination. Components in the bearer and control planes operate in conjunction to perform the function of a switch, as far as voice service is concerned.

Usually an MGC and a set of media gateways are clearly associated with one another and jointly perform the same function as a TDM switch, thus forming a *virtual switch*. This raises the expectation that this virtual switch can, in fact, be managed as a switch, with a management system shielding many of the aspects of the distribution of this virtual entity from users. This way, users do not have to be concerned with the peculiarities of setting up control communications between the devices (interfaces that used to be closed); for example, MGCP and signaling back haul, with the coordination of the configuration of endpoints on the media gateway and of trunks that refer to those end points on the MGC and that now collectively simply form virtual trunks of the virtual switch, and so on. [Figure 2-3](#) depicts the concept of a virtual switch.

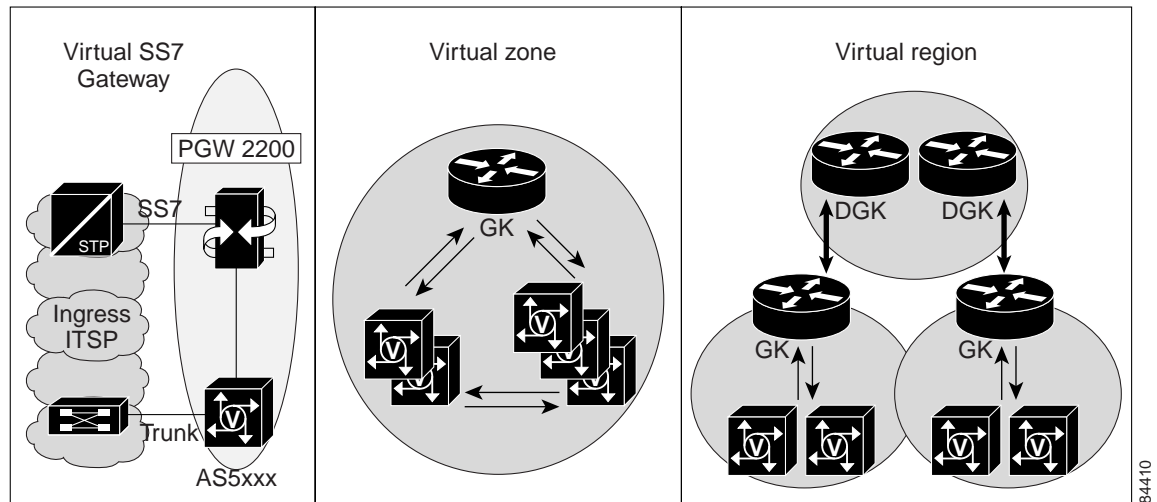
**Figure 2-3** *Virtual Switch*



Similarly, H.323 gateways and gatekeepers in a zone should be managed as just that, a virtual zone, as if they were one entity. A virtual zone is in essence the H.323 flavor of a virtual switch. Also, gateways and the signaling controller jointly provide the functionality of a *virtual gateway* that has SS7 capabilities.

A potent Management Solution should allow for a holistic management of those entities. [Figure 2-4](#) depicts the concept of a virtual zone (which deals with dependencies between gateways within a zone, as well as between gateways and gatekeepers), a virtual SS7 gateway (which deals with dependencies between an H.323 gateway and a signaling controller that converts SS7 to Q.931 signaling for the gateway), and a zone connection (which deals with dependencies between gatekeepers, or between gatekeepers and directory gatekeepers).

Figure 2-4 Other Virtual Network Entities

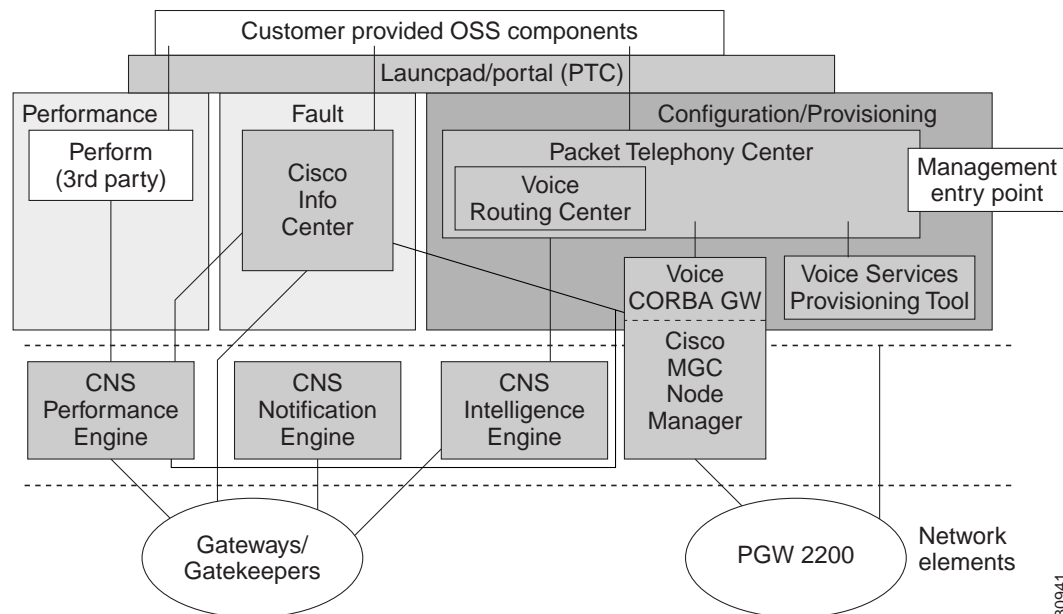


The concept of virtual network entities is key to the management of packet voice networks. Cisco PTC and its companion provisioning management applications readily support this concept.

## NMS Architecture

Figure 2-5 depicts the entire Cisco Internet OSS for VoIP: Infrastructure Manager Solution architecture. The three functional areas are provisioning/configuration, fault, and performance. This architecture is shown here to help you better understand the complete Packet Voice Management Solution.

Figure 2-5 Cisco Internet OSS for VoIP: Infrastructure Manager Solution Architecture



## IOSS Provisioning Component Architecture

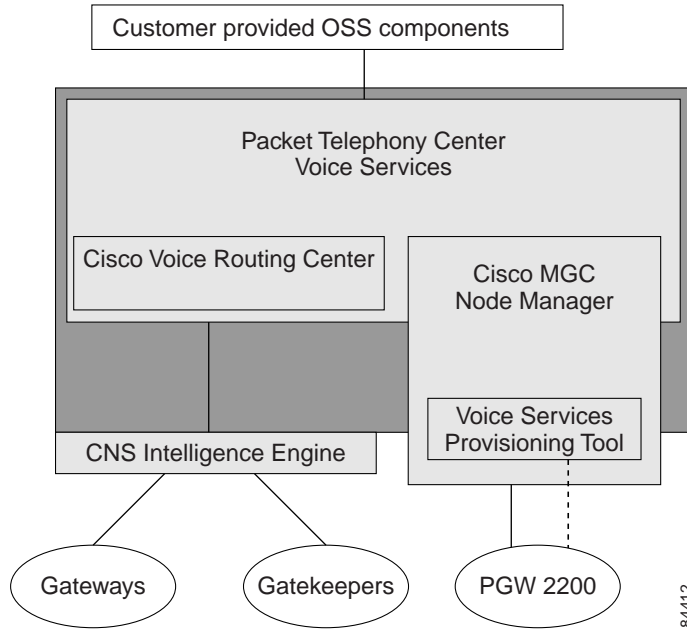
Figure 2-6 depicts the proposed Provisioning Management Solution for OPT networks, as applied to an H.323-based global long-distance network. The key component is the Cisco Packet Telephony Center (Cisco PTC), which provides for overall configuration management of the OPT network and realizes the virtual entities as discussed. A module within Cisco PTC, called Cisco VRC, provides for H.323 dial-plan management. Cisco PTC enables context sensitive launching of other management tools, that is, where it makes sense from a navigation standpoint, for an integrated user experience. A pre-integrated application is the Voice Services Provisioning Tool (VSPT), which can be used to bulk configure the Cisco PSTN Gateway (PGW) 2200. VSPT is used for initial configuration of the PGW 2200 with SS7 components such as point codes, link sets, SS7 paths and routes, SS7 subsystems, and ethernet cards and interfaces, which are prerequisites to Cisco PTC configuring RLMs and nailed trunks in the PGW 2200.

To communicate with underlying network devices, Cisco PTC makes use of underlying EMSs, such as the Cisco MGC Node Manager (CMNM) for the Cisco PGW 2200. EMSs can also be launched as auxiliary tools by the user to drill down into the device or obtain a graphical device view. In cases where an EMS is not readily available, Cisco PTC can also interface to devices directly or, as in the case of Cisco IOS devices, utilize the Cisco CNS Intelligence Engine (Cisco CNS IE2100). It should be noted that the applicability of the Cisco PTC and its fundamental concepts goes beyond any particular solution and is not limited to support only certain device types; it is expected that essentially any Open Packet Telephony (OPT) Solution can be added.

The network elements that can be provisioned with the pictured applications include:

1. Virtual zones of IOS based H.323 voice gateways and gatekeepers including:
  - a. AS5000 series.
  - b. c2600, c3600, c7200 series.
2. Virtual gateway node elements including:
  - a. Signaling Link Terminals.
  - b. PGW 2200 Signaling Controller.
  - c. Catalyst switches.
  - d. AS5000 series voice gateways.

Figure 2-6 Provisioning Management Component Devices



## Functional Description

Cisco PTC oversees the entire network. It is a network management tool that provides a GUI for the initial and ongoing support for configuring Cisco Voice over IP (VoIP) networks, comprising PGW 2200 elements, H.323 gateways, and gatekeeper devices.

Cisco PTC is fully integrated with the Cisco VRC application. Cisco VRC provisions the dial plan related functionality of the H.323 VoIP network elements (gateways and gatekeepers).

The Cisco MGC Node Manager (CMNM), built upon the Cisco Element Management Framework (CEMF), integrates the management interfaces and management functionality of the PGW 2200 components into one comprehensive human interface and data repository. CMNM provides an integrated management application for fault, configuration, performance, and security of the PGW 2200 network elements. CiscoView is integrated into the CMNM application as a monitoring and provisioning tool for PGW 2200 network elements.

The VSPT provides a GUI for bulk provisioning the PGW 2200.

The Cisco CNS Intelligence Engine is a network management device that acts as a configuration service for automating the deployment and management of network devices and services. The Cisco CNS IE2100 Series is the hardware platform for the Cisco CNS Configuration Registrar application.

## Interconnection/Interoperability

This chapter of the Cisco VoIP: Infrastructure Manager Solution specifically details the configuration and provisioning management components of the Solution. These applications are intended to operate in conjunction with applications that deal with fault and performance processing. There are several points of interconnection between the function-specific applications.



The gateways and gatekeepers that comprise the H.323 voice network send fault and performance data directly to the fault and performance processing applications (Cisco CNS Notification Engine, Cisco Info Center, and Cisco CNS Performance Engine). Protocols for transporting this data include SNMP, Syslog, and RADIUS.

CMNM is a self-contained fault, configuration, performance, and security (FCPS) Element Management System (EMS) for the PGW 2200. It can stand on its own or operate in conjunction with the fault and performance components of the Cisco VoIP: Infrastructure Manager Solution. CMNM can send performance data to the Cisco CNS Performance Engine through periodic FTP uploads and can transmit fault data directly to the Cisco Info Center using the CEMF probe described in detail in [Chapter 4, “Fault Management.”](#) Cisco PTC sends provisioning commands to the PGW 2200 elements through the Voice CORBA interface in CMNM provided by CEMF.

# Configuration and Provisioning Solution Components

## Component List

The components that comprise the Cisco VoIP: Infrastructure Manager Solution’s configuration and provisioning solution suite provision the network elements and manage the configuration files for those elements. Version 1.1 of the Cisco VoIP: Infrastructure Manager Solution includes:

1. Cisco Packet Telephony Center integrated with:
  - a. Cisco Voice Routing Center (Cisco VRC).
2. Cisco MGC Node Manager built upon the Cisco Element Management Framework including:
  - a. Voice Services Provisioning Tool (VSPT).
  - b. CiscoView (native component in CiscoWorks2000).
  - c. Cisco CNS Configuration Registrar (Cisco CNS IE2100 Series).

The following sections detail the specifics of each of these applications.

## Cisco Packet Telephony Center

The Cisco Packet Telephony Center provides a Management Solution for large-scale H.323 networks. Cisco PTC provides network management layer functionality and manages the network through Element Management Systems (EMSs), or through the network element's management interface (for example, SNMP or Command Line Interface (CLI)). Cisco PTC maintains a repository of the data, consisting of customer and services information, for the managed network. This repository is used to configure the network, provision new services, and to detect network layer configuration inconsistencies.

Refer to the *Cisco Packet Telephony Center User Guide* for an overview of the Cisco PTC domain manager as well as other useful information about the product.

For a Cisco H.323 VoIP network composed of VoIP gateways and gatekeepers, Cisco PTC is integrated with Cisco VRC.

## Cisco Voice Routing Center

Cisco VRC is a GUI-based network management tool specifically designed for managing dial plans in a Voice over IP (VoIP) network.

Cisco VRC, version 1.1, is targeted for H.323-based networks. H.323 VoIP dial plans are statically configured and managed on gateway and gatekeeper platforms. The infrastructure of a typical H.323 VoIP network includes gateways and gatekeepers.

You can deploy Cisco VRC to discover the dial plan of an existing network. You can also use it to design new dial plans incorporating Cisco routers running as gateways, gatekeepers, and directory gatekeepers.

For a complete description, installation instructions, and Release Notes for the Cisco VRC application, refer to the “[Related Documents](#)” section.

## Recommended Hardware Configuration for Cisco PTC and Cisco VRC

The minimum platform recommendations for the Cisco PTC and Cisco VRC applications are provided in [Table 2-1](#).

*Table 2-1 Cisco PTC and Cisco VRC Hardware Requirements*

Number of Gateways	Sun Workstation Model	RAM	Hard Disk Space	Swap Space	CPUs
Less than 1000	Entry level UltraSparcIII (for example, a Sun Fire 280R)	1GB	9GB with at least 6GB available under the <code>/opt</code> directory	2GB	2
1000 to 3000	Entry level UltraSparcIII (for example, a Sun Fire 280R)	2GB	18GB with at least 12GB available under the <code>/opt</code> directory	4GB	2

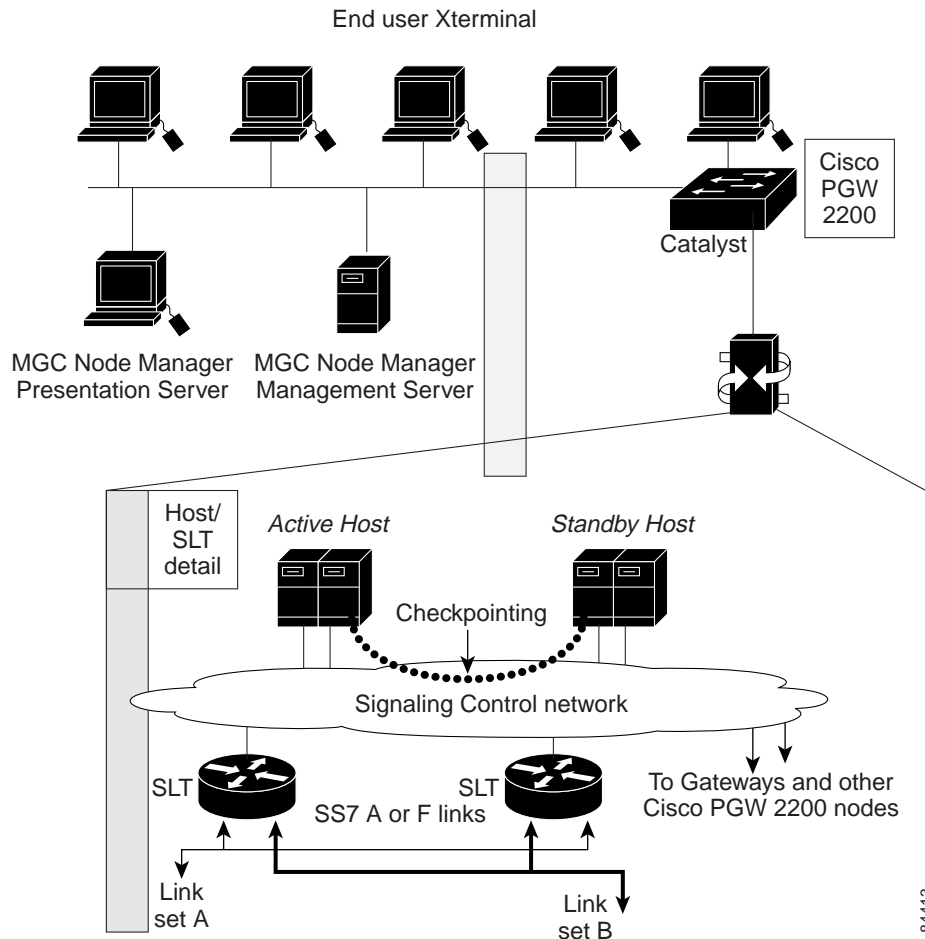
## Cisco Media Gateway Control Node Manager

CMNM integrates the management interfaces and management functionality of the PGW 2200 components into one comprehensive human interface and data repository. The PGW 2200 consists of the Cisco MGC host, one or more Cisco Signaling Link Terminals (Cisco SLTs) and the Cisco Catalyst 5500, Catalyst 2900 XL, or Catalyst 6509 LAN switch. CMNM provides fault, configuration, and performance management for all components of the Cisco MGC node.

CMNM provides the element-specific management features for the Cisco MGC node. It blends the management framework features of the Cisco Element Management Framework (Cisco EMF) with the individual interfaces and object structures of each managed element to produce an integrated management application. [Figure 2-7](#) illustrates the element details of the MGC node and the CMNM applications server(s).

[Figure 2-7](#) provides the details of the network elements that comprise the PGW 2200 and CMNM.

Figure 2-7 PGW 2200 and MGC Node Manager Details



84413

## CMNM Features

The most common Cisco EMF installation includes plug-in modules referred to as Element Managers or Element Management Systems (EMSs). In the Cisco MGC node architecture, CMNM is a Cisco EMF-based EMS responsible for managing the Cisco MGC node (PGW 2200). CMNM adds specific GUI windows and modeling behavior to the standard Cisco EMF system to allow the management of specific network elements.

CMNM uses Cisco EMF to manage the following components of the Cisco MGC node:

- Cisco MGC
- Cisco SLT
- LAN switch (Cisco Catalyst 2900, 5500 and 6509).

## CMNM Configuration

You can open the following configuration tools from CMNM:

- Voice Services Provisioning Tool (VSPT)
- CiscoView, which allows you to configure and monitor the Cisco SLT and the LAN switch (Cisco Catalyst 2900, 5500 and 6509) devices.

## CMNM Troubleshooting

CMNM provides a full range of diagnostic and troubleshooting tools, such as IP and SNMP Ping, Alarm and System Log, Host Status Check, Cross-Device Audit, and the Cisco MGC Toolbar that includes CDR Viewer, Log Viewer, Trace Viewer, and Translation Verification Viewer.

## Recommended Hardware Configuration for CMNM

The CMNM has substantial hardware requirements. The main consumer of resources in the CMNM application is the CEMF application. The requirements below have been designed in order to create an environment optimized for speed of response. These are general “rule of thumb” requirements and can be adjusted to suit specific network deployments. Consultation with an experienced network design specialist is recommended.

*Table 2-2 CMNM Hardware Requirements*

Network Element	Small Network: 1-3 Operators 1-5 Nodes 1 trap/second	Medium Network: 4-6 Operators 6-10 Nodes 2 traps/second	Large Network: 7-10 Operators 11-20 Nodes 4 traps/second
Number of machines	One machine	Two machines	Three machines
Configuration	Standalone	Distributed Presentation Server    Management Server	Distributed Presentation Server    Management Server
RAM (GB)	2	2                      2	2                      4
Swap (GB)	2	1                      2	1                      2
Hard drives @ 9GB each (minimum)	4	1                      4	1                      8
Number of CPUs and Speed	2 at 440Mhz	2 at 440Mhz      2 at 440Mhz	4 at 440Mhz      2 at 440Mhz

The Sun Fire 280R entry level server satisfies the above requirements. Refer to the *CMNM User's Guide*, at the following URL, for in depth details about CEMF and the Cisco MGC Node Manager:

<http://www.cisco.com/univercd/cc/td/doc/product/access/sc/re19/cmm21/index.htm>.

## Voice Services Provisioning Tool

Provisioning with the VSPT is the process of preparing a Cisco Media PGW 2200 to communicate with an SS7 network, with Cisco media gateways, and with the other components of an OPT Solution. The VSPT application provides an easy to use GUI to provision the Cisco PGW 2200.

VSPT can be deployed as an integrated component of the CMNM or as a standalone application. In the Cisco VoIP: Infrastructure Manager Solution configuration, it runs on the CMNM server. It allows you to import an existing configuration, modify the configuration, and export it to the same or different devices; or wizards guide you through high-level configuration steps to create the initial network provisioning information for a newly installed node, creating iterative entries from a single operation. It can also facilitate provisioning of individual call parameters, simplifying the provisioning of a large live network.

During a provisioning session, VSPT automatically generates the Man Machine Language (MML) or command line interface (CLI) scripts used to configure network elements, assembles these commands into a batch file, and deploys the file to the appropriate network device. VSPT is used to augment the Cisco PTC provisioning application, providing bulk provisioning support and an alternative for provisioning the PGW 2000.

### Recommended Hardware Configuration for VSPT

VSPT runs on the CMNM server in this Cisco VoIP: Infrastructure Manager Solution.

## CiscoView

CiscoView is a device monitoring application that is built into the CiscoWorks 2000 network management package. Installing CiscoWorks 2000 is the method of adding CiscoView to your network management applications. This Solution installs CiscoView (through the installation of CiscoWorks 2000) on a separate Solaris 8 host. A prerequisite to the installation of CiscoWorks2K on Solaris 8 is the installation of Solaris 8 patch 108827-19 or later. This Solution assumes you will install the entire recommended patch cluster for Solaris 8 as outlined in the [“Installing the Solaris 8 Patch Cluster”](#) section.

CiscoView is launched by the CMNM application to provide a device level view of Cisco network devices. CiscoView provides support for a wide range of devices and has the capability of adding support for future devices through download of device specific description files. CiscoView aids in zeroing in on trouble spots in the network or in providing device specific hardware and interface usage data.

### Recommended Hardware Configuration for CiscoView

CiscoView is installed on the CMNM host machine and is already considered in the hardware recommendations for CMNM.

# Cisco CNS Intelligence Engine

## Cisco CNS Intelligence Engine and Cisco CNS Bus Technology

The Cisco CNS Intelligence Engine (Cisco CNS IE2100 Series) is a network management appliance that acts as a configuration service for automating the deployment and management of network devices and services. The Cisco CNS IE2100 appliance sits between Cisco PTC/Cisco VRC and the network elements, utilizing the Cisco CNS Integration Bus for data transport between the provisioning applications and the network elements.

The Cisco CNS Configuration Registrar application is a web-based system for automatically distributing configuration files to Cisco IOS network devices running Cisco IOS version 12.2(2) T, or later. Once the Cisco CNS IE2100 appliance is initially configured and the network elements are configured to use the Cisco CNS IE2100 appliance with two command line arguments, the system then operates automatically.

**Note**

---

If you are running devices that use an earlier version of Cisco IOS or a different operating system, such as Catalyst, you should invoke the Intelligent Modular Gateway (IMG) for communicating with the device.

---

The Cisco CNS Configuration Registrar application utilizes the following industry standards and technologies:

- eXtensible Markup Language (XML)
- Java Naming Directory Interface (JNDI)
- Hypertext Transport Protocol (HTTP)
- Java servlets
- Lightweight Directory Access Protocol (LDAP).

The Cisco CNS IE2100 Series can be used as the runtime component for deployment of customer-developed applications. These applications can be developed using the Cisco CNS SDK 1.5. Complete descriptions and installation and configuration information can be found at the URL listed in the [“Related Documents”](#) section.

## Hardware Requirements

The Cisco CNS Configuration Registrar is an application that runs on its own piece of hardware which is typically a 1 RU IBM rack mount server running the Linux Operating System.

# Step by Step Installation and Initial Configuration

## Overview of Installation

The order of installation follows the plan below:

1. Install and configure the Cisco CNS IE2100 appliance with a subnet IP address.
2. On the CMNM host, install the Cisco MGC Node Manager application, including:
  - a. Voice Services Provisioning Tool.
  - b. CEMF 3.2.
  - c. CiscoView upgrade if necessary.
  - d. Cisco MGC Node Manager (server).
3. On the Cisco PTC/Cisco VRC host, install Cisco PTC, version 2.1.1, integrated with Cisco VRC, version 1.1.

Once the applications are installed, they are started, and then checked for running processes on each machine.

## Dependencies

It is highly recommended that you obtain all of the Installation and User Guides referenced in the [“Related Documents”](#) section, for Cisco CNS IE2100 Series, CMNM, and Cisco PTC/Cisco VRC. Although lengthy, these guides provide a clear, organized way to approach preparing for, obtaining, and installing the various application software. There are many interdependencies that make the deployment of this management software non-trivial. This chapter makes many references to the User and Installation Guides, as well as the other collateral referenced in the [“Related Documents”](#) section.

You may wonder why the installation information is repeated in this chapter when it is available in the other guides as well. In fact, the installation information in this chapter is mostly copied from the individual User and Installation guides of the different applications adding little that is new or specific to this chapter. The answer is that this chapter is detailing a solution that incorporates at least five different applications and devices. So, instead of pointing you to the many guides, requiring that you either read the guide electronically and activate the various links or much typing of URLs into web browsers, we wish to create a guide that can be accessed either in soft or hard copy that is somewhat complete in itself.

Somewhat complete means that the “official” User and Installation guides cover every situation that the developers could envision, whereas this guide is specifically pointed at a certain solution and deployment and can be less detailed than the guides that accompany the application.

## Installing the Cisco CNS IE2100 Configuration Engine

The Cisco CNS Configuration Registrar refers to the application, while the Cisco CNS IE2100 appliance is a specific device that makes use of the application software. The Cisco CNS Configuration Registrar is a self contained, Linux based application, which runs on a one RU, rack mount, IBM host. In preparation for installation, the Cisco CNS IE2100 appliance should be rack mounted and connected to the management network through its Ethernet port.

## Installation Overview

The installation procedure for the Cisco CNS Configuration Registrar is straightforward. The software is installed and configured through a console connection to the serial port. The console connection parameters are the same as for other Cisco IOS devices, that is:

- 9600 baud
- Parity: 8/None
- Stop bits: 1.

---

**Step 1** After the Cisco CNS IE2100 appliance is optionally racked, plugged in, and turned on, insert the CDROM installation disk and press the **Reset** button.

You can not monitor the installation procedure as the console logic does not begin until the Operating System is started. After the automatic installation procedure completes, the CD ejects automatically and the system restarts, at which point the login prompt appears in the Console window.

**Step 2** Log in as user **setup**.

The Setup program starts.

**Step 3** Enter responses to the prompts that appear.

After you enter a response, you cannot edit it again. To change an entered response, you must exit the Setup program and enter your responses again. You can exit the Setup program in two ways:

- Press **Ctrl-c**. The login prompt appears. Use the login **setup** to run the Setup program.
- Enter **n** at the final prompt. The Setup program exits, then restarts.

Refer to the sample setup session below for an example of the prompts and their responses:

**Step 4** Press **ESC** to log in:

```

USER ID:
LILO
boot:
boot:
Loading linux.....
Linux version 2.4.2-2 (root@poriky.devel.redhat.com) (gcc version 2.96
20000731 (Red Hat Linux 7.1 2.96-79)) #1 Sun Apr 8 20:41:30 EDT 2001
BIOS-provided physical RAM map:
  BIOS-e820: 000000000009dc00 @ 0000000000000000 (usable)
  BIOS-e820: 0000000000002400 @ 000000000009dc00 (reserved)
  BIOS-e820: 00000000000020000 @ 00000000000e0000 (reserved)
  BIOS-e820: 0000000003feec340 @ 0000000000100000 (usable)
  BIOS-e820: 0000000000010000 @ 0000000003fff0000 (reserved)
  BIOS-e820: 00000000000003cc0 @ 0000000003ffec340 (ACPI data)
  BIOS-e820: 00000000001400000 @ 00000000fec00000 (reserved)
127MB HIGHMEM available.
On node 0 totalpages: 262124
zone(0): 4096 pages.
zone DMA has max 32 cached pages.
zone(1): 225280 pages.
zone Normal has max 1024 cached pages.

```



```
zone(2): 32748 pages.
zone HighMem has max 255 cached pages.
hm, page 01000000 reserved twice.
Kernel command line: auto BOOT_IMAGE=linux ro root=806
BOOT_FILE=/boot/vmlinuz-2.4.2-2 console=ttyS0,9600n8
Initializing CPU#0
Detected 1130.197 MHz processor.
Console: color VGA+ 80x25
Calibrating delay loop... 2254.43 BogoMIPS
Memory: 1028188k/1048496k available (1365k kernel code, 19912k reserved,
92k data, 236k init, 130992k highmem)
Dentry-cache hash table entries: 131072 (order: 8, 1048576 bytes)
Buffer-cache hash table entries: 65536 (order: 6, 262144 bytes)
Page-cache hash table entries: 262144 (order: 9, 2097152 bytes)
Inode-cache hash table entries: 65536 (order: 7, 524288 bytes)
VFS: Diskquotas version dquot_6.5.0 initialized
CPU: Before vendor init, caps: 0383fbff 00000000 00000000, vendor = 0
CPU: L1 I cache: 16K, L1 D cache: 16K
CPU: L2 cache: 512K
Intel machine check architecture supported.
Intel machine check reporting enabled on CPU#0.
CPU: After vendor init, caps: 0383fbff 00000000 00000000 00000000
CPU: After generic, caps: 0383fbff 00000000 00000000 00000000
CPU: Common caps: 0383fbff 00000000 00000000 00000000
CPU: Intel(R) Pentium(R) III CPU family      1133MHz stepping 01
Enabling fast FPU save and restore... done.
Enabling unmasked SIMD FPU exception support... done.
Checking 'hlt' instruction... OK.
POSIX conformance testing by UNIFIX
mtrr: v1.37 (20001109) Richard Gooch (rgooch@atnf.csiro.au)
mtrr: detected mtrr type: Intel
PCI: PCI BIOS revision 2.10 entry at 0xfd61c, last bus=1
PCI: Using configuration type 1
PCI: Probing PCI hardware
PCI: Discovered peer bus 01
isapnp: Scanning for PnP cards...
isapnp: No Plug & Play device found
Linux NET4.0 for Linux 2.4
Based upon Swansea University Computer Society NET3.039
Initializing RT netlink socket
apm: BIOS not found.
Starting kswapd v1.8
Detected PS/2 Mouse Port.
pty: 256 Unix98 ptys configured
block: queued sectors max/low 682808kB/551736kB, 2048 slots per queue
RAMDISK driver initialized: 16 RAM disks of 4096K size 1024 blocksize
```

```

Uniform Multi-Platform E-IDE driver Revision: 6.31
ide: Assuming 33MHz system bus speed for PIO modes; override with idebus=xx
ServerWorks OSB4: IDE controller on PCI bus 00 dev 79
ServerWorks OSB4: chipset revision 0
ServerWorks OSB4: not 100% native mode: will probe irqs later
    ide0: BM-DMA at 0x0700-0x0707, BIOS settings: hda:DMA, hdb:DMA
    ide1: BM-DMA at 0x0708-0x070f, BIOS settings: hdc:DMA, hdd:DMA
hda: LG CD-ROM CRN-8245B, ATAPI CD/DVD-ROM drive
ide0 at 0x1f0-0x1f7,0x3f6 on irq 14
Floppy drive(s): fd0 is 1.44M
FDC 0 is a National Semiconductor PC87306
RAMDISK: Compressed image found at block 0
Freeing initrd memory: 359k freed
Serial driver version 5.02 (2000-08-09) with MANY_PORTS MULTIPORT
SHARE_IRQ SERIAL_PCI ISAPNP enabled
ttyS00 at 0x03f8 (irq = 4) is a 16550A
Real Time Clock Driver v1.10d
md driver 0.90.0 MAX_MD_DEVS=256, MD_SB_DISKS=27
md.c: sizeof(mdp_super_t) = 4096
autodetecting RAID arrays
autorun ...
... autorun DONE.
NET4: Linux TCP/IP 1.0 for NET4.0
IP Protocols: ICMP, UDP, TCP, IGMP
IP: routing cache hash table of 8192 buckets, 64Kbytes
TCP: Hash tables configured (established 262144 bind 65536)
Linux IP multicast router 0.06 plus PIM-SM
NET4: Unix domain sockets 1.0/SMP for Linux NET4.0.
VFS: Mounted root (ext2 filesystem).
Red Hat nash verSCSI subsystem driver Revision: 1.00
version 3.0.10 starting
Loading sc(scsi0) <Adaptec AIC-7892 Ultra 160/m SCSI host adapter> found at si_mod module
LPCI 1/3/0
Loading sd_mod mo(scsi0) Wide module
Loading aiChannel, SCSI ID=7, c7xxx module
32/255 SCBs
(scsi0) Downloading sequencer code... 396 instructions downloaded
scsi0 : Adaptec AHA274x/284x/294x (EISA/VLB/PCI-Fast SCSI) 5.2.4/5.2.0
    <Adaptec AIC-7892 Ultra 160/m SCSI host adapter>
(scsi0:0:0:0) Synchronous at 80.0 Mbyte/sec, offset 63.
    Vendor: IBM-ESXS Model: ST318305LC    !# Rev: B245
    Type:   Direct-Access                    ANSI SCSI revision: 03
    Vendor: IBM      Model: FT1V1 S2      Rev: 0
    Type:   Processor                        ANSI SCSI revision: 02
Attached scsi disk sda at scsi0, channel 0, id 0, lun 0
SCSI device sda: 35548320 512-byte hdwr sectors (18201 MB)

```

```
Partition check:
sda: sda1 sda2 < sda5 sda6 sda7 sda8 sda9 sda10 sda11 sda12 sda13 >
VFS: Mounted root (ext2 filesystem) readonly.
change_root: old root has d_count=3
Trying to unmount old root ... okay
Freeing unused kernel memory: 236k freed
INIT: version 2.78 booting

        Welcome to Red Hat Linux

        Press 'I' to enter interactive startup.

Mounting proc filesystem: [OK]
Configuring kernel parameters: [OK]
Setting clock (localtime): Fri Oct 4 10:02:43 PDT 2002 [OK]
Activating swap partitions: [OK]
Setting hostname localhost.localdomain: [OK]
Mounting USB filesystem: [OK]
Initializing USB controller (usb-ohci): [OK]
Checking root filesystem
/: clean, 16950/263296 files, 22733/526120 blocks
[/sbin/fsck.ext2 -- /] fsck.ext2 -a /dev/sda6 [OK]
Remounting root filesystem in read-write mode: [OK]
Finding module dependencies: [OK]
Checking filesystems
/boot: clean, 28/14056 files, 5656/56196 blocks
/extra: clean, 12/131616 files, 4147/263056 blocks
/home: clean, 27/244320 files, 7697/487966 blocks
/opt: clean, 3290/263296 files, 68085/526120 blocks
/tmp: clean, 16/131616 files, 4153/263056 blocks
/usr: clean, 33248/525888 files, 142855/1050241 blocks
/var: clean, 338/131616 files, 7654/263056 blocks
Checking all file systems.
[/sbin/fsck.ext2 -- /boot] fsck.ext2 -a /dev/sda1
[/sbin/fsck.ext2 -- /extra] fsck.ext2 -a /dev/sda13
[/sbin/fsck.ext2 -- /home] fsck.ext2 -a /dev/sda10
[/sbin/fsck.ext2 -- /opt] fsck.ext2 -a /dev/sda7
[/sbin/fsck.ext2 -- /tmp] fsck.ext2 -a /dev/sda12
[/sbin/fsck.ext2 -- /usr] fsck.ext2 -a /dev/sda5
[/sbin/fsck.ext2 -- /var] fsck.ext2 -a /dev/sda11 [OK]
Mounting local filesystems: [OK]
Turning on user and group quotas for local filesystems: [OK]
Enabling swap space: [OK]
INIT: Entering runlevel: 3
Entering non-interactive startup
Updating /etc/fstab [OK]
Checking for new hardware [OK]
Setting network parameters: [OK]
Bringing up interface lo: [OK]
```

```

Starting system logger: [OK]
Starting kernel logger: [OK]
Starting portmapper: [OK]
Starting NFS file locking services:
Starting NFS statd: [OK]
Starting keytable: [OK]
Initializing random number generator: [OK]
Mounting other filesystems: [OK]
Starting automount:[OK]
Starting atd: [OK]
Starting sshd: [OK]
Starting xinetd: [OK]
Starting lpd: No Printers Defined[OK]
Starting sendmail: [OK]
Starting console mouse services: [OK]
Starting crond: [OK]
Starting xfs: [OK]
Starting anacron: [OK]
This Appliance is not configured.
Please login as setup to configure the appliance.

localhost.localdomain login: setup
Cisco Intelligence Engine 2110
Cisco Configuration Registrar (tm) Software, Version 1.2(1a) [ming_cao-ie2100_1_2_fcs.pl
100]
Copyright (c) 2001, 2002 by cisco Systems, Inc.
Compiled Tue 05-Mar-2002 20:37 by ming_cao

Entering Network Appliance Setup
Type ctrl-c to exit

Where is the setup file? 0=local, 1=remote. [0]
Choose operational mode for the appliance. 0=internal directory mode,
    1=external directory mode. [0]
Enter the root user password: *****
Re-Enter the root user password: *****
Enter the host name: ie-tme
Enter the domain name: cisco.com
Enter the administrative username: admin
Enter the admin password: *****
Re-Enter the admin password: *****
Enter the eth0 ip address: 172.19.49.20
Enter the eth0 network mask: 255.255.255.224
Enter the eth0 default gateway ip address: 172.19.49.1
Enter the eth1 ip address:
Enter the Primary DNS Server IP address: 171.70.168.183

```

```

Enter the Secondary DNS Server IP address: 171.68.226.120
Enter the Country Code: us
Enter the Company Code: cisco
Enter the ConfigService AdminID: csadmin
Enter the ConfigService password: *****
Re-Enter the ConfigService password: *****
Enter the NSM Directives:
This field requires an input.
Enter the NSM Directives: default://
Enter the Event Gateway Debug Log (y/n): n
Enter the # of Event Gateways N for serving 500 x N devices: 1
Enter the CNS Event Bus Network Parameter: [ie-tme]
Enter the CNS Event Bus Service Parameter: [7500]

```

Current settings of IMGW:

```

-----
Gateway ID: ie-tme
Run as daemon (true/false): true
Script Operation Timeout (sec): 180
Device Prompt Timeout (sec): 60
Concurrent Telnet Session Limit: 20
Remove Temp File (true/false): true
Location of Temp Files: /tmp
Hoptest Success Retry Interval (sec): 7200
Hoptest Failure Retry Interval (sec): 3600
Logging Level (error,verbose,silent): error
Logging File Prefix: IMGW-LOG
Log File Size (byte): 50331648
Log File Rotation Timer (minute): 60
Logging Mode (append,overwrite): append

```

Re-configure IMGW (y/n): n

Please review the following parameters:

```

root user password: *****
host name: ie-tme
domain name: cisco.com
administrative username: admin
admin password: *****
eth0 ip address: 172.19.49.20
eth0 network mask: 255.255.255.224
eth0 default gateway ip address: 172.19.49.1
eth1 ip address:
Primary DNS Server IP address: 171.70.168.183
Secondary DNS Server IP address: 171.68.226.120
Country Code: us

```

```

Company Code: cisco
ConfigService AdminID: csadmin
ConfigService password: *****
NSM Directives: default://
Event Gateway Debug Log (y/n): n
# of Event Gateways N for serving 500 x N devices: 1
CNS Event Bus Network Parameter: ie-tme
CNS Event Bus Service Parameter: 7500
Re-configure IMGW (y/n): n
Commit changes (y/n): y
Update administrator info ...
Shutdown servers ...
Configure network ...
eepro100.c:v1.09j-t 9/29/99 Donald Becker
http://cesdis.gsfc.nasa.gov/linux/drivers/eepro100.html
eepro100.c: $Revision: 1.36 $ 2000/11/17 Modified by Andrey V. Savochkin
<saw@saw.sw.com.sg> and others
Configure IMGW ...
Configure DCL ...
Run configurator ...
Configure EvtGateway start/stop file ...
Register tibco rverd start/stop script for system shutdown/restart ...
Run NSM configurator ...
Start servers ...
/etc/rc.d/init.d/NetAppDCL start
Start tibco

/etc/rc.d/init.d/tibco start >> /var/log/appliance-setup.log 2>&1
/etc/rc.d/init.d/httpd start
/etc/rc.d/init.d/Imgw start >> /var/log/appliance-setup.log 2>&1
/etc/rc.d/init.d/EvtGateway start >> /var/log/appliance-setup.log 2>&1
Initialize DCL for Internal Mode ...
Configure DAT ...
Install IBM Director takes approximately 4 minutes ...
IBM Advanced System Management Device Driver loaded.
cd /opt/IBMDirectorInstall; nohup sh /opt/IBMDirectorInstall/dirinstall
>> /var/log/appliance-setup.log 2>&1
Setup completed!
Press <Enter> to login!

Red Hat Linux release 7.1 (Seawolf)
Kernel 2.4.2-2 on an i686

ie-tme.cisco.com login: root
Password:
Last login: Fri Oct 4 10:12:27 on ttyS0

```

```

Cisco Intelligence Engine 2110
Cisco Configuration Registrar (tm) Software, Version 1.2(1a) [ming_cao-ie2100_1_2_fcs.p1
100]
Copyright (c) 2001, 2002 by cisco Systems, Inc.
Compiled Tue 05-Mar-2002 20:37 by ming_cao

```

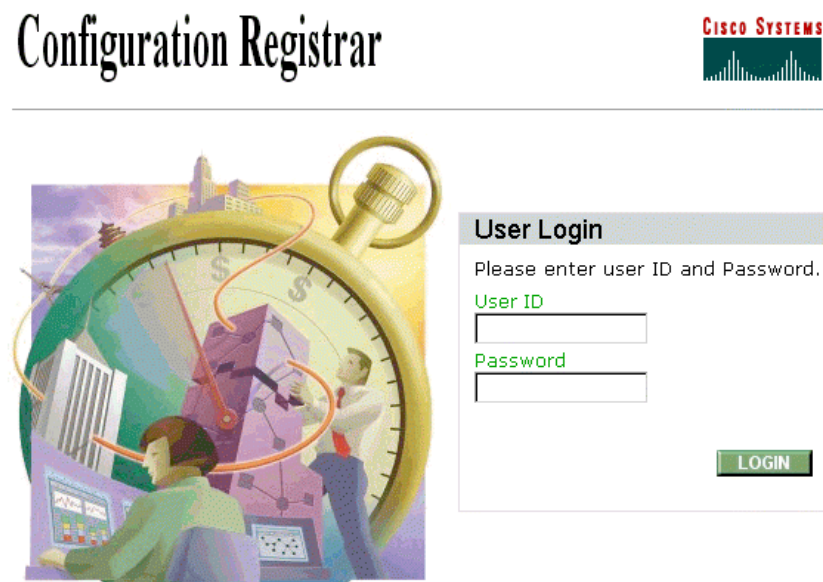
```
[root@ie-tme /root]#
```

Refer to the Cisco CNS *Configuration Registrar Installation Guide* for more details. The “[Related Documents](#)” section provides a URL to the Cisco CNS Configuration Registrar documentation. Once the Cisco CNS IE2100 appliance has been setup, you should be able to access it through a web browser at the URL:

<http://<hostname or IP address of IE2100>/config/login.html>.

The Cisco CNS Configuration Registrar Login window, shown in [Figure 2-8](#), appears.

*Figure 2-8 Cisco CNS IE2100 Cisco CNS Configuration Registrar Login Window*



All contents copyright © 2000 Cisco Systems, Inc.

84414

When you see this screen, you are ready to configure the Cisco CNS IE2100 appliance.

## Configuring IOS Devices to Communicate with a Cisco CNS IE2100 Appliance

In order to support communication with the Cisco CNS IE2100 appliance, IOS network elements must be operating with IOS version 12.2(8)T or later. Two IOS commands must be entered into the IOS device:

- `us-gw-1(config)# cns config partial 172.19.49.20 80`
- `us-gw-1(config)# cns event 172.19.49.20 keepalive 100 30`

The variable parameters are the IP address of the Cisco CNS IE2100 appliance (**172.19.49.20**), the communication port (**80**), the keep alive time (**100** seconds), and the retry count (**30**).

There are several ways for this to happen. The method of choice in this chapter is to do it through the Cisco PTC Topology Manager. If the elements are included in the Cisco PTC Network Information Seed File for discovery or added through the Cisco PTC Topology Manager, the commands are entered into the devices by Cisco PTC.

## Installing Cisco MGC Node Manager (including VSPT, CiscoView, and CEMF)

Successful network management using Cisco MGC Node Manager (CMNM) begins with a well-planned and carefully executed installation. Network element management involves many interdependent factors, including:

- the correct hardware for your environment
- the correct software release and patch levels on the managed devices
- the correct installation of Cisco Element Manager Framework, the foundation software for CMNM.

To organize the installation process, use the Planning and Installation Checklist below to plan and carry out your installation. Begin by reading it over to understand the major tasks in a successful installation and check off each task as completed.

### Planning and Installation Checklist

Procedures for completing each task are described in the sections that follow.

Before you begin, be familiar with each product's Release Notes document. The Release Notes supplement and, when different, take precedence over the information provided in this document.

1. Gather installation software and required information.
2. Determine hardware requirements for your environment.
3. Ensure the network devices have the correct software.
4. Ensure the Sun Solaris operating system is installed on your server.
5. Partition the hard drives when you install the OS.
6. Install the recommended patch cluster for Solaris 8.
7. Obtain a Cisco EMF license.
8. Check system prerequisites. (DNS)
9. Install the Cisco MGC Host Voice Services Provisioning Tool.
10. Install Cisco EMF 3.2 and any necessary patches.
11. If you plan to use raw file systems, configure raw file systems in ObjectStore.
12. Install and verify CMNM 2.1 and any necessary patches.

### Gathering Installation Software

Your order of CMNM includes three product CDs:

1. Cisco Element Management Framework 3.2 on the first CD. The software includes ObjectStore 5.1 Service Pack 2, which provides database management. Go to the *Release Notes* and the latest Cisco EMF 3.2 software patch.



2. CMNM 2.3.1 on the second CD, including:
  - a. the CMNM Element Managers that work with Cisco EMF.
  - b. Cisco MGC Node Manager for provisioning the Cisco Media Gateway Controller.
  - c. CiscoView 5.1, installed automatically when CMNM is installed (management interface for the Cisco SLT).
3. CiscoWorks on the third CD.

You will also need VSPT version 2.3.1 with patch P01 and *Release Notes* available from:

<http://www.cisco.com/cgi-bin/tablebuild.pl/vspt>

as well as patches for CMNM and CEMF, if available, at:

<http://www.cisco.com/cgi-bin/tablebuild.pl/cemf> (CEMF latest patches)

<http://www.cisco.com/cgi-bin/tablebuild.pl/mgc-nm> (CMNM latest patches).

## Determining the Hardware Requirements for Your Environment

See the “[Recommended Hardware Configuration for CMNM](#)” section or the *CMNM User's Guide* at the following URL:

<http://www.cisco.com/univercd/cc/td/doc/product/access/sc/rel9/cmnm21/index.htm>.

## Ensuring the Network Devices have the Correct Software

Refer to the *CMNM User's Guide* for various pairings of software images on different network devices. For the purpose of this chapter, the following is used:

- PGW 2200 version 9.x
- Cisco SLT on c2651 IOS version 12.2(8)T or later
- Cisco LAN switch (Catalyst 2924) version.

## Ensuring the Sun Solaris 8 Operating System is Installed on Your Workstation

Our management host machines have been configured with Solaris version 8 and the recommended patch cluster available from <http://sunsolve.sun.com> as of October 1, 2002. If you are unsure of the version and patch info on your host machines, consult with your Solaris system administrator. The Sun host setup is detailed in the next sections of this chapter.

## Partitioning the Hard Drives

Refer to the User Guides for various partitioning suggestions for different sized networks. Our test lab setup uses the suggestions for a Standalone system.

## Installing the Solaris 8 Patch Cluster

Assuming sufficient hard drive space, it is recommended that the Solaris 8 recommended Patch Cluster should be installed. Download the recommended Patch Cluster from the following URL:

<http://sunsolve.Sun.COM/pub-cgi/show.pl?target=patches/patch-access>.

The following steps install the recommended Patch Cluster that has been downloaded to the `/opt/patches` directory (create this directory first) on the Cisco PTC machine.

**Step 1** Go to the `/opt` directory:

```
ptc-tme# cd /opt
```

**Step 2** Create the `patches` directory:

```
ptc-tme# mkdir patches
```

**Step 3** Go to the `/patches` directory:

```
ptc-tme# cd patches
```

**Step 4** List the contents of the `patches` directory:

```
ptc-tme# ls
8_Recommended.zip
```

**Step 5** Unzip the contents of the Patch Cluster:

```
ptc-tme# unzip 8_Recommended.zip (this can take fifteen minutes or more)
```

```
Archive:  8_Recommended.zip
  creating: 8_Recommended/
  inflating: 8_Recommended/CLUSTER_README
  inflating: 8_Recommended/copyright
  inflating: 8_Recommended/install_cluster
?-----output suppressed-----?
  inflating: 8_Recommended/109007-
07/SUNWesu/install/patch_checkinstall
  inflating: 8_Recommended/109007-07/SUNWesu/install/patch_postinstall
  inflating: 8_Recommended/109007-07/SUNWesu/install/postinstall
  inflating: 8_Recommended/109007-07/SUNWesu/install/preinstall
  creating: 8_Recommended/109007-07/SUNWesu/reloc/
  creating: 8_Recommended/109007-07/SUNWesu/reloc/usr/
  creating: 8_Recommended/109007-07/SUNWesu/reloc/usr/bin/
  inflating: 8_Recommended/109007-07/SUNWesu/reloc/usr/bin/batch
  inflating: 8_Recommended/109007-07/README.109007-07
```

**Step 6** List the contents of the `patches` directory again:

```
cnote-tme# ls
8_Recommended      8_Recommended.zip
```

**Step 7** Go to the `8_Recommended` directory:

```
cnote-tme# cd 8_Recommended
```

**Step 8** Install the contents of the Patch Cluster:

```
cnote-tme# ./install_cluster

Patch cluster install script for Solaris 8 Recommended
```

```
*WARNING* SYSTEMS WITH LIMITED DISK SPACE SHOULD *NOT* INSTALL PATCHES:
With or without using the save option, the patch installation process
will still require some amount of disk space for installation and
administrative tasks in the /, /usr, /var, or /opt partitions where
patches are typically installed. The exact amount of space will
depend on the machine's architecture, software packages already
installed, and the difference in the patched objects size. To be
safe, it is not recommended that a patch cluster be installed on a
system with less than 4 MBytes of available space in each of these
partitions. Running out of disk space during installation may result
in only partially loaded patches. Check and be sure adequate disk space
is available before continuing.
```

```
Are you ready to continue with install? [y/n]: y
```

```
Determining if sufficient save space exists...
Sufficient save space exists, continuing...
Installing patches located in /opt/8_Recommended
Using patch_order file for patch installation sequence
Installing 110380-04...
  Installation of 110380-04 failed. Return code 2.
Installing 110934-08...
Installing 111111-03...
Installing 110662-09...
Installing 112396-02...
Installing 108987-09...
Installing 111293-04...
  Installation of 111293-04 failed. Return code 2.
?-----output suppressed-----?
```

- Step 9** Note some of the installation of patches fail. This is normal behavior and is not fatal. Just make sure the the three required patches listed in the various product Release Notes did not fail to install. You can check which patches are installed on a Solaris host or for the presence of a particular patch and its dependencies with the following commands:

```
host# showrev -p
```

```
host# showrev -p | grep 108987-09
```

```
Patch: 108528-16 Obsoletes: 108874-01, 108966-06, 108979-10, 109153-01,
109236-01, 109291-06, 109296-05, 109309-02, 109313-02, 10934
5-02, 109348-05, 109350-06, 109571-02, 109656-01, 109663-01, 109801-02,
109880-01, 110096-05, 110118-02, 110121-01, 110132-02, 11013
3-03, 110134-02, 110141-02, 110201-01, 110225-01, 110231-01, 110372-02,
110517-04, 110599-02, 109041-04, 111050-03, 111205-02, 11010
1-01, 110562-01, 110384-05, 110783-01, 110850-01, 111372-04, 111456-01,
108947-01, 109048-06, 110180-01, 110552-01, 111541-02, 10905
2-01, 110556-01, 109054-02, 110558-01, 111207-01, 109056-01, 110196-01,
```

```

110554-01, 109472-07, 109740-04, 109742-04, 109060-02, 11018
2-01, 111537-01, 109062-01, 110186-01, 110186-02, 110595-01, 110932-01,
111054-02, 109181-04, 109279-19, 109904-05, 109906-06, 10995
4-01, 110098-01, 110383-02, 111035-01, 111884-02, 111919-04, 112334-02
Requires: 108987-09, 111111-03, 111293-01, 111310-01,      , I
incompatibles: 109079-01 Packages: SUNWkvmx, SUNWkvm, SUNWcarx, SUNWcar,
SUNWcsu, SUNWcsr, SUNWcslx, SUNWcsl, FJSVhea, SUNWscpu, SUNW
csxu, SUNWpmu, SUNWpmr, SUNWcpr, SUNWcprx, SUNWefcx, SUNWdrr, SUNWdrrx,
SUNwidn, SUNwidnx, SUNWpmux, SUNWmdb, SUNWmdbx, SUNWsrh, SUN
Wtnfc, SUNWtnfcx, SUNWhea, SUNWarc, SUNWarcx, SUNWcstl, SUNWcstlx,
SUNWcpc, SUNWcpcx
Patch: 108987-09 Obsoletes: Requires: 112396-02 Incompatibles:
Packages: SUNWadmr, SUNWswmt

```

---

## Obtaining a Cisco EMF License

You need a valid license key file available on the system to start Cisco EMF. In a distributed configuration, the license key is required on the Management server.

The following steps describe how to obtain a Cisco EMF license.

- 
- Step 1** If you are a registered Cisco Connection Online (CCO) user, go to the Cisco Software Registration site, and look for Cisco Element Management Framework under Network Management Products:  
<http://cco.cisco.com/cgi-bin/Software/FormManager/formgenerator.pl>.  
 If you are not a registered CCO user, go to the Cisco Software Registration site:  
<http://cco.cisco.com/public/sw-center/sw-registration.shtml>.
  - Step 2** In the **Contact Information** section, fill all required fields (denoted by an asterisk).
  - Step 3** In the **Version** number field, select version 3.2.
  - Step 4** If it was not automatically filled in for you when you completed the Contact Information, enter the Product Authorization Key (PAK) number which is on your product CD.
  - Step 5** Enter the host name of the server where Cisco EMF is to be installed.
  - Step 6** Enter the host ID of the server where Cisco EMF is to be installed.
  - Step 7** If you do not know the hostname or hostid of your machine, perform the following commands on the host machine:

```

cmnm-pri# hostname
cmnm-pri
cmnm-pri# hostid
80b8cb59

```

**Step 8** Provide answers to the questions at the end of the form, then click **Enter Form**.

To update a Cisco EMF license currently in use (for example, if you wish to extend an evaluation license or convert an evaluation system to a proper installation with a permanent license) refer to the *Cisco EMF Installation and Administration Guide* at:

[http://www.cisco.com/univercd/cc/td/doc/product/rtrmgmt/cemf/3\\_2/install/license.htm#xtocid183871](http://www.cisco.com/univercd/cc/td/doc/product/rtrmgmt/cemf/3_2/install/license.htm#xtocid183871).

---

## Checking System Prerequisites

If you do not know the procedure for networking your host machine and activating DNS, consult with a system administrator or the *CMNM User's Guide* at the following URL:

<http://www.cisco.com/univercd/cc/td/doc/product/access/sc/rel9/cmnm21/index.htm>.

Verify that your machine host(s) can be reached through DNS by invoking the following command:

```
cmnm-pri# nslookup cmnm-pri
```

```
Server: dns-sj.cisco.com
```

```
Address: 171.x.x.x
```

```
Name: cmnm-pri.cisco.com
```

```
Address: 172.19.49.2
```

You are now ready to begin the installation procedures for VSPT, CEMF, and CMNM.

## Order of Installation

1. The first application to be installed is VSPT and any associated patches. VSPT must be installed prior to CMNM.
2. The next procedure is to install CEMF with its patches.
3. The next procedure is to install CMNM with its patches.

## Installing VSPT and Available Patches

### Installation Prerequisites

The Voice Services Provisioning Tool can be installed locally or remotely. If your host machine is equipped with a Frame buffer, keyboard, mouse, and monitor, the installation is straight forward. If your host machine is not equipped with the setup for a local monitor and you wish to install VSPT from a remote machine, you can install it through the GUI remotely. If your terminal emulation program is not X-based, then you can install using the **nodisplay** option. This example uses the **nodisplay** option.

**Step 1** Untar the image file in a temporary directory:

```
cmnm-pri# cd /opt/images
```

```
cmnm-pri# pwd
```

```
/opt/images
```

```

cmmn-pri# mkdir tmp
cmmn-pri# cd tmp
cmmn-pri# ls

```

```
CSCOVspt-2.3.1.tar
```

**Step 2** Untar the contents of the **CSCOVspt-2.3.1.tar** file:

```
cmmn-pri# tar -xvof CSCOVspt-2.3.1.tar
```

```

x ., 0 bytes, 0 tape blocks
x ./version, 343 bytes, 1 tape blocks
x ./README_FIRST.txt, 5545 bytes, 11 tape blocks
x ./README_NOTES.txt, 20779 bytes, 41 tape blocks
x ./jre, 0 bytes, 0 tape blocks
x ./jre/lib, 0 bytes, 0 tape blocks

```

```
?-----output suppressed-----?
```

```

x ./classes/GetFileList.class, 3385 bytes, 7 tape blocks
x ./classes/ModifyFiles.class, 2614 bytes, 6 tape blocks
x ./classes/QueryBackupUserPanel.class, 9314 bytes, 19 tape blocks
x ./classes/QueryMGCTypePanel.class, 3435 bytes, 7 tape blocks
x ./classes/QueryWebBrowserPanel.class, 11258 bytes, 22 tape blocks

```

**Step 3** List the contents of the directory:

```
cmmn-pri# ls -l
```

```

total 91328
-rw-r--r--  1 root    other    26754560 Sep 24 17:14 CSCOVspt-
2.3.1.tar
-r--r--r--  1 root    other         5545 Aug 21 10:25 README_FIRST.txt
-r--r--r--  1 root    other        20779 Aug 21 10:25 README_NOTES.txt
drwxrwxrwx  2 root    other         512 Aug 21 10:27 classes
drwxr-xr-x  4 root    other         512 Aug 21 10:25 jre
drwxrwxrwx  2 root    other         512 Aug 21 10:27 modules
drwxr-xr-x  3 root    other         512 Aug 21 10:25 pkg
-r-xr-xr-x  1 root    other        7664 Aug 21 10:27 setup
-r--r--r--  1 root    other    19908895 Aug 21 10:27 setup.class
-r--r--r--  1 root    other         343 Aug 21 10:25 version

```

**Step 4** Run the **setup** program with the **nodisplay** option (don't forget the dash before the option argument):

```
cmmn-pri# ./setup -nodisplay
```

```

WARNING: This program is protected by copyright law and international treaties.
Unauthorized reproduction or distribution of this program, or any portion of it, may
result in severe civil and criminal penalties, and will be prosecuted to the maximum
extent possible under law.

```

- Step 5** You are asked to read a description of the application and then the license agreement whose output is omitted here. At the end of the license agreement, you must accept the agreement in order to continue. Then follow the on screen prompts. The default answers are in block parentheses. If you want to accept the default response, just click **Enter**:
- Step 6** Enter "I accept the terms of the license agreement." to approve, or "I do not accept the terms of the license agreement." to disapprove [I accept the terms of the license agreement.]: hit **Enter** to accept).
- Step 7** Click **Next** to install to this folder or click **Change** to install to a different folder. [/opt/CSCOVsp23]

```
The directory "/opt/CSCOVsp23" does not exist. Do you want to create it now [y]? y
```

```
Enter the Backup User ID:
```

1. Yes
2. No

```
Select a Backup User ID [2] 2 (a backup user is not required)
```

```
Ready to Install
```

```
The following items will be installed:
```

```
Cisco Voice Services Provisioning Tool
```

```
Destination: /opt/CSCOVsp23
```

```
Product (900KB)
```

```
Selected Features:
```

```
Program Files (26.9MB)
```

```
Data Files (162KB)
```

1. Install Now
2. Exit

```
What would you like to do [1]? 1
```

```
Installing Cisco Voice Services Provisioning Tool
```

```
|-----|-----|-----|-----|
0%          25%          50%          75%          100%
|||||||||||||||||||||||||||||||||||||||||||||||||
```

```
Installation Summary
```

```
The following items were installed:
```

```

Cisco Voice Services Provisioning Tool
Destination: /opt/CSCOVsp23
  Installed Features:
    Program Files (26.9MB)
    Data Files (162KB)

1.    Exit

What would you like to do [1]? 1

Cisco Voice Services Provisioning Tool installation is complete.

```

**Step 8** After the main image is installed, do the same with the patch file for VSPT:

```

cmmn-pri# ls
CSCOVspt-2.3.1.tar          CSCOVspt-2.3.1-patch-01.tar

```

**Step 9** Untar the contents of the **CSCOVspt-2.3.1-patch-01.tar** file:

```

cmmn-pri# tar -xvof CSCOVspt-2.3.1-patch-01.tar
x ., 0 bytes, 0 tape blocks
x ./patchCSCOVspt, 5508 bytes, 11 tape blocks
x ./modules, 0 bytes, 0 tape blocks

?-----output suppressed-----?

x ./pkgs/CSCOVsp23/reloc/uninstall/patchCSCOVspt, 5508 bytes, 11 tape blocks
x ./pkgs/CSCOVsp23/reloc/version, 415 bytes, 1 tape blocks
cmmn-pri#

```

**Step 10** Run the patch file **patchCSCOVspt** executable program:

```

cmmn-pri# ./patchCSCOVspt

-----
Welcome to the Cisco Voice Services Provisioning Tool
Patch Program
-----

Enter the logfile directory location [/var/tmp] [?] <Enter>

Enter the logfile name [patchCSCOVspt-01.log] [?] <Enter>

Do you wish to install CSCOVsp23 Patch 01 [y,n,?,q] y

```



```
-----
Installing Patch 01 to CSCOVsp23
-----
-----
Backing up file to be patched
-----
      /var/sadm/pkg/CSCOVsp23/pkginfo to

?-----output suppressed-----?

Processing package instance <CSCOVsp23> from </opt/images/tmp/pkgs>

Cisco Voice Services Provisioning Tool
(sparc) 2.3(1)
Cisco Systems, Inc.

Using </opt/CSCOVsp23> as the package base directory.
## Processing package information.
## Processing system information.
## Verifying disk space requirements.

Installing Cisco Voice Services Provisioning Tool as <CSCOVsp23>

## Installing part 1 of 1.
/opt/CSCOVsp23/classes/com/cisco/transpath/dart/editor/configEditor.properties
/opt/CSCOVsp23/classes/dart.jar
/opt/CSCOVsp23/docs/README_FIRST.txt
/opt/CSCOVsp23/docs/README_NOTES.txt
/opt/CSCOVsp23/uninstall/modules/vsptPatchUtilities
/opt/CSCOVsp23/uninstall/patchCSCOVspt
/opt/CSCOVsp23/version
[verifying class <none>]

Installation of <CSCOVsp23> was successful.
Done

Please see logfile:

      /var/tmp/patchCSCOVspt-01.log
```

## Checking for Package Install

**Step 11** Check to ensure the entire package was installed:

```
cmnm-pri# pkginfo -l CSCOvsp23

PKGINST:  CSCOvsp23
      NAME:  Cisco Voice Services Provisioning Tool
CATEGORY:  application
      ARCH:  sparc
VERSION:   2.3(1)
BASEDIR:   /opt/CSCOvsp23
VENDOR:    Cisco Systems, Inc.
PSTAMP:    Mon Sep 23 09:55:18 EDT 2002
INSTDATE:  Sep 25 2002 14:05
STATUS:    completely installed
FILES:     7 installed pathnames
           1 executables
           7295 blocks used (approx)
```

**Step 12** If you see any message other than “completely installed”, you must solve the problem and retry.

## Installing CEMF 3.2 and Available Patches

**Step 13** Load the first of the three CMNM CDs into your host CD drive and install CEMF:

```
cmnm-pri# cd cdrom/cdrom0
cmnm-pri# ./cemfinstall
```

```

                                INSTALL PACKAGE
                                =====

1)      Cisco Element Manager Framework - Server
2)      Cisco Element Manager Framework - Client
q)      Quit

Which package do you wish to install? (Def:1) [?,q] 1
Option "Cisco Element Manager Framework - Server" chosen.
```

Installing the Server option installs both the Server and Client applications. If you wish to have a distributed installation, you can install the Client on a separate machine. This guide installs the Server option and runs both the presentation and management servers on the same host.

```
Installing package(s) "CSCOcemfm".

Processing package instance <CSCOcemfm> from
</opt/images/tmp/CEMF3.2/.cemf/packages>
```

```
CEMF Manager
(sparc) 3.2
Cisco Systems, Inc.
```

```
CEMF Manager Installation
```

```
CEMF Manager will be installed into directory: /opt/cemf
```

```
Is this directory correct [y] [y,n,?]
```

```
CEMF Manager Installation
```

```
CEMF Manager backup directory is: /opt/Backup
```

```
Is this directory correct [y] [y,n,?]
```

```
CEMF Manager Installation
```

```
CEMF Manager logs directory is: /opt/cemf/logs
```

```
Is this directory correct [y] [y,n,?]
```

```
CEMF Manager Installation
```

```
This machine is configured with multiple network interfaces.
Please choose the number that corresponds to the interface
you wish to use. Or hit return to enter the name by hand.
```

```
1 cmnm-pri/172.19.49.2
```

```
Please choose a number (default: Other) [?,?]: 1
```

```
The hostname specified was "cmnm-pri".
```

```
Is this correct? [y] [y,n,?]
```

```
The IP Address of cmnm-pri is "172.19.49.2".
```

```
Is this correct? [y] [y,n,?]
```

```
CEMF Manager Installation
```

```
Local Hostname      :      cmnm-pri
Server Hostname     :      cmnm-pri
Server IP Address   :      172.19.49.2
```

```
Is this setup correct? [y] [y,n,?]
```

```
CEMF Manager Installation
```

ObjectStore has not been found on the system.

ObjectStore needs to be installed.

Is this correct [y] [y,n,?]

CEMF Manager Installation

To gain extra performance ObjectStore can be configured to use a raw partition to store its databases. Choosing this option will require ObjectStore to be correctly configured before any attempt to start CEMF Manager can be made.

Do you wish to store the databases in a raw partition [n] [y,n,?] **n**

CEMF Manager Installation

Utilizing ObjectStore with raw file partitions can improve the performance of CEMF and its EMS applications. It requires some expertise and follows certain rules. If you wish to enable this option, you must refer to the CMNM User Guide, at the following URL, for more details:  
<http://www.cisco.com/univercd/cc/td/doc/product/access/sc/rel9/cmnm21/index.htm>.

- Step 14** Confirm the directory for the ObjectStore database files. This should preferably be a separate partition from where the CEMF Manager is installed.

CEMF Manager Installation

Databases will be placed in "/opt/cemf/db"

Is this correct [y] [y,n,?] **y**

CEMF Manager Installation

Please confirm the directory for the ObjectStore transaction log file. This should preferably be a separate partition from where CEMF Manager is installed and separate from where the ObjectStore databases will be created.

WARNING This file can reach a size of 1GB.

Transaction log will be placed in "/opt"

Is this correct [y] [y,n,?] **y**

CEMF Manager Installation

CEMF Manager requires a FlexLM license manager daemon to be running before CEMF Manager will start. You have two options:

- \* The default option is to Run the FlexLM daemon which is provided with CEMF Manager (recommended).

\* Alternatively you can use an existing FlexLM daemon if one is already running on your system.

**Note**

If you answer no to the following question, you should be able to provide a valid path for your licence file. It is then copied to the **/opt/ceMF/config/licenses** directory.

```
Do you want to run CEMF Manager's FlexLM daemon [y] [y,n,?] y
```

```
Do you have a valid license file to use [y] [y,n,?] y
```

*CEMF Manager Installation*

*CEMF Manager requires that a valid license is available to the installation program.*

*Please enter the full name (including path) of the license file [?]*

```
/opt/ceMF/config/licenses/cmm-pri80b8cb59.lic
```

**Note**

You can store the license file anywhere you wish on the host, however, understand that the host will subsequently copy it to the directory listed in the previous step. If you upgrade or update your license file, you must replace the file that is in the above directory. Only one license file can be accommodated at any one time.

CEMF will store its uploaded IOS config files into directory:

```
/opt/ceMF/ceMFios/archive/configArchive
```

```
Is this directory correct [y] [y,n,?] y
```

Using `</opt/ceMF>` as the package base directory.

```
## Processing package information.
```

```
## Processing system information.
```

```
8 package pathnames are already properly installed.
```

```
## Verifying disk space requirements.
```

```
Installing CEMF Manager as <CSCOceMFm>
```

```
## Installing part 1 of 1.
```

```
/opt/ceMF/Orbix2000/bin/bi2tcl <symbolic link>
```

```
/opt/ceMF/Orbix2000/bin/it_generic_server <symbolic link>
```

```
/opt/ceMF/Orbix2000/bin/itactivator <symbolic link>
```

```
/opt/ceMF/Orbix2000/bin/itadmin <symbolic link>
```

```

/opt/cemf/Orbix2000/bin/itconfig_rep <symbolic link>
/opt/cemf/Orbix2000/bin/itevent <symbolic link>
/opt/cemf/Orbix2000/bin/itifr <symbolic link>
/opt/cemf/Orbix2000/bin/itkdm <symbolic link>
/opt/cemf/Orbix2000/bin/itlocator <symbolic link>

```

?-----output suppressed-----?

```

/opt/cemf/db/pollerServer.adb
/opt/cemf/db/serviceMgrServer.adb
/opt/cemf/db/statusPropagationRecalculator.adb
/opt/cemf/db/statusPropagationServer.adb
/opt/cemf/db/trServer.adb
/opt/cemf/db/vectorServer.adb
/opt/cemf/db/virtualAttributeServer.adb
[verifying class <schema>]
## Executing postinstall script.
020925 163258 ObjectStore Release 5.1 Service Pack 4 Database Server
020925 163258 LOG 0001 There are no partitions specified in the parameters file.
Only file databases will be accessible through this server.
CEMF Manager License Installer...
Installing /opt/cemf/config/licenses/cmm-pri80b8cb59.lic
Starting ATL license manager daemon

Creating /opt/cemf/lochness/config/IOSDrep.locService

Installation of <CSCOcemfm> was successful.

```

The option install "Cisco Element Manager Framework - Server" was completed successfully.

**Step 15** After a successful installation of CEMF, eject the CD. Next step is to install any CEMF patches.

---

## CEMF Patch Installation

CEMF patches are found on the Cisco Connection Online site (with a registered login) at the following location:

<http://www.cisco.com/cgi-bin/tablebuild.pl/cemf>.



### Note

The latest patch for this product at the time this chapter was written is Patch 3, with a smaller patch (P3.2) which is dependent upon the installation of Patch 3.

---

**Step 1** List the contents of the Patch directory:

```
cmnm-pri# ls
-rw-r--r--  1 root    other    1280455 Sep 26 09:31 CEMF3.2P3.2.tar.Z
-rw-r--r--  1 root    other    145691565 Sep 26 09:31 CEMF3.2P3.tar.Z
```

**Step 2** Uncompress the Patch files:

```
cmnm-pri# uncompress *
```

**Step 3** Untar Patch P3:

```
cmnm-pri# tar -xvof CEMF3.2P3.tar
```

```
x ., 0 bytes, 0 tape blocks
x ./CEMF_3.2_PATCH_3, 0 bytes, 0 tape blocks
x ./CEMF_3.2_PATCH_3/packages, 0 bytes, 0 tape blocks
x ./CEMF_3.2_PATCH_3/packages/CSCOcemfm, 0 bytes, 0 tape blocks
x ./CEMF_3.2_PATCH_3/packages/CSCOcemfm/pkgmap, 82207 bytes, 161 tape blocks
x ./CEMF_3.2_PATCH_3/packages/CSCOcemfm/pkginfo, 414 bytes, 1 tape blocks
x ./CEMF_3.2_PATCH_3/packages/CSCOcemfm/reloc, 0 bytes, 0 tape blocks
x ./CEMF_3.2_PATCH_3/packages/CSCOcemfm/reloc/ODI, 0 bytes, 0 tape blocks
```

?-----output suppressed-----?

```
x ./CEMF_3.2_PATCH_3/packages/CSCOcemfc/install/patch_postinstall, 822 bytes, 2 tape blocks
x ./CEMF_3.2_PATCH_3/packages/CSCOcemfc/install/postinstall, 7356 bytes, 15 tape blocks
x ./CEMF_3.2_PATCH_3/packages/CSCOcemfc/install/preinstall, 5512 bytes, 11 tape blocks
x ./CEMF_3.2_PATCH_3/packages/170103-10, 0 bytes, 0 tape blocks
x ./CEMF_3.2_PATCH_3/packages/170103-10/CSCOcemfc symbolic link to ../CSCOcemfc
x ./CEMF_3.2_PATCH_3/packages/170103-10/.diPatch, 0 bytes, 0 tape blocks
x ./CEMF_3.2_PATCH_3/packages/.CSCOcemfc-patch.pkginfo, 26255 bytes, 52 tape blocks
x ./CEMF_3.2_PATCH_3/cemfinstall, 40982 bytes, 81 tape blocks
```

**Step 4** List the contents of the current directory:

```
cmnm-pri# ls
CEMF3.2P3.2.tar  CEMF3.2P3.tar  CEMF_3.2_PATCH_3
```

**Step 5** Change to the **CEMF\_3.2\_PATCH\_3** directory:

```
cmnm-pri# cd CEMF_3.2_PATCH_3
```

**Step 6** List the contents of the **CEMF\_3.2\_PATCH\_3** directory:

```
cmnm-pri# ls
cemfinstall  packages
```

**Step 7** Invoke the CEMF installation script:

```
cmnm-pri# ./cemfinstall
```

```

                INSTALL PACKAGE
                =====

1)      CEMF Server 3.2 Patch 170003-10
2)      CEMF Client 3.2 Patch 170103-10 - Not Installed
q)      Quit

Which package do you wish to install? (Def:1) [?,q] 1
Option "CEMF Server 3.2 Patch 170003-10" chosen.

Installing package(s) "CSCOcemfm".

CEMF Manager system not running.
There are no previous patches to remove.

Checking installed patches...
Verifying sufficient filesystem capacity (dry run method)...
Installing patch packages...

Patch number 170003-10 has been successfully installed.
See /var/sadm/patch/170003-10/log for details

Patch packages installed:
  CSCOcemfm

Uncompressing patch...
Transferring <CSCOcemfm> package instance
Uncompressing completed

The option install "CEMF Server 3.2 Patch 170003-10" was completed successfully.
```

**Step 8** Now do the same with Patch 3.2:

```
cmnm-pri# tar -xvof CEMF3.2P3.2.tar
```

```
cmnm-pri# ls
```

```
CEMF3.2P3.2.tar  CEMF3.2P3.tar  CEMF_3.2_PATCH_3
CEMF_3.2_PATCH_190302-01
```

**Step 9** Change to the **CEMF\_3.2\_PATCH\_190302-01** directory:

```
cmnm-pri# cd CEMF_3.2_PATCH_190302-01
```

**Step 10** List the contents of the **CEMF\_3.2\_PATCH\_190302-01** directory:

```
cmnm-pri# ls
```

```
cemfinstall  packages
```



**Step 11** Invoke the CEMF installation script:

```
cmnm-pri# ./cemfinstall
```

```

                INSTALL PACKAGE
                =====
1)      CEMF Server 3.2 Patch 190302-01
2)      CEMF Client 3.2 Patch 200302-01 - Not Installed
q)      Quit

```

```

Which package do you wish to install? (Def:1) [?,q] 1
Option "CEMF Server 3.2 Patch 190302-01" chosen.

```

```
Installing package(s) "CSCOcemfm".
```

```
CEMF Manager system not running.
```

```
Checking installed patches...
```

```
Verifying sufficient filesystem capacity (dry run method)...
```

```
Installing patch packages...
```

```
Patch number 190302-01 has been successfully installed.
```

```
See /var/sadm/patch/190302-01/log for details
```

```
Patch packages installed:
```

```
  CSCOcemfm
```

```
Uncompressing patch...
```

```
Transferring <CSCOcemfm> package instance
```

```
Uncompressing completed
```

```
The option install "CEMF Server 3.2 Patch 190302-01" was completed successfully.
```

## Starting CEMF

**Step 12** Start the CEMF application:

```
cmnm-pri# cd /opt/cemf
```

```
cmnm-pri# bin/cemf start
```

This process takes ten to fifteen minutes. It requires a current, valid license file in order to start.

## Installing the Cisco MGC Node Manager

**Step 1** Before installing CMNM, ensure CEMF is running:

```
cmnm-pri# cd /opt/cemf
```

```
cmnm-pri# bin/cemf query
```

```
CEMF Manager 3.2 initialized
```

```

8957 /opt/cemf/bin/sysmgr
8974 serverLockCoordinator
8972 coordinator
8973 eventChannelHost EventChannelHost
8975 configServer
8976 objectServer
8977 appsServer
8983 queryServer
8985 ogServer
8984 mgrTransRouter
8986 localDBServer
8999 alarmDirServer
9000 notificationServer
9001 trServer
9002 vectorServer
9003 clearCorrelationServer
9004 abstractionServer
9005 statusPropagationServer
9006 agServer
9007 /opt/cemf/tools/bin/perl - I /opt/cemf/tools/lib/perl5/5.00502/sun4-solaris:/opt
9012 attributeHistoryCollector
9013 attributeHistoryServer
9014 pollerServer
9015 attributePollerServer
9016 virtualAttributeServer
9017 eventScheduler
9018 icmpServer
9019 asyncSnmpDataRepository
9021 asyncSnmpDataRepository -id 1
9022 asyncSnmpDataRepository -id 2
9023 asyncSnmpDataRepository -id 3
9024 asyncSnmpDataRepository -id 4
9025 trapManager
9026 trapAlarmMapper
9027 perfRepository
9028 asyncIosDataRepository
9138 /bin/sh /opt/cemf/bin/cgw_wrap_itloc

```

```

9151 /opt/cemf/Orbix2000/orbix_art/1.2/bin/sc42/itlocator -ORBname locator run
9139 nbinterface
9153 /opt/cemf/Orbix2000/orbix_art/2.0/bin/itlocator run -ORBdomain_name CEMF_2.0 -O
9152 /bin/sh /opt/cemf/bin/cgw_wrap_itact
9182 /opt/cemf/Orbix2000/orbix_art/1.2/bin/sc42/itactivator - ORBname activator run
9185 /opt/cemf/Orbix2000/orbix_art/1.2/bin/sc42/itnaming
9154 /opt/cemf/Orbix2000/orbix_art/2.0/bin/itnode_daemon run - ORBdomain_name CEMF_2.
9160 /opt/cemf/Orbix2000/orbix_art/2.0/bin/itnotify run - ORBdomain_name CEMF_2.0 -OR
9161 /opt/cemf/bin/corbaGatewayManager
9170 /opt/cemf/bin/corbaMetadata
9186 /opt/cemf/bin/corbaDataAbstractor
9190 /opt/cemf/bin/corbaActionLauncher
9194 /opt/cemf/bin/corbaParticipation
9198 /opt/cemf/bin/corbaObjectGroups
9202 /opt/cemf/bin/corbaEventChannelManager
9206 genericController
9207 mapServer
14566 hostController
15062 serviceMgrServer
15100 mgcController
15102 mgcTrapProcessor
15210 sessionMgrServer
15211 dialogMgrServer
15212 discoveryServer
15213 discoveryScheduler
15695 /opt/cemf/VCG/bin/ObjectAccess
15697 /opt/cemf/VCG/bin/McgNotifyServer

```

**Step 2** Verify the Volume Management daemon is running:

```
cmnm-pri# ps -ef | grep vold
```

```

root    253      1  0   Sep 24 ?          0:00 /usr/sbin/vold
root    9354    8572  0 10:34:04 pts/2    0:00 grep vold

```

**Step 3** If you do not see the **vold** process, try starting it:

```
cmnm-pri# /etc/init.d/volmgt start
```

**Step 4** Check for the process again to see if you were successful starting it. If you were not, consult with your system administrator to rectify the situation before continuing. Assuming success, insert the second CD into the CDROM drive and run the CMNM install program. You must be **root** to install CMNM. It takes up to ten minutes depending on the platform.

```
cmnm-pri# cd /cdrom/cscocmnm
```

```
cmnm-pri# ./installCSCOcmnm
```

```
-----
Cisco MGC-Node Manager Installation
```

```
Thu Sep 26 10:38:49 AM
-----
```

```
Setup has detected that the CEMF Manager software is installed.
Do you wish to install the CSCOCmmn Manager software. [y/n]: y
```

```
It is recommended that your databases are backed up before running this command.
```

```
Have your databases been backed up [y/n]: [n] y
```

**Note**


---

If your install is brand new, there are no databases to backup, so you can answer **y** to the above query and the install continues. Otherwise, if you answer **n**, the install script displays instructions on how to back up your databases.

---

```
Please enter the CiscoView Server IP address [def: 0.0.0.0] [?,q] 172.19.49.2 (this
machine)
```

```
Enter the logfile directory location [/var/tmp] [?]
```

```
Enter the logfile name [installCSCOCmmn.log] [?]
```

```
Disk Space OK.
```

```
Continue with CSCOCmmn install [y,n,?] y
```

```
Cisco MGC-Node Manager (CMNM) 2.3
```

```
(sparc) 2.3(1)
```

```
Cisco Systems, Inc.
```

```
Using </opt/cemf> as the package base directory.
```

```
## Processing package information.
```

```
## Processing system information.
```

```
## Verifying disk space requirements.
```

```
Installing Cisco MGC-Node Manager (CMNM) 2.3 as <CSCOCmmn>
```

```
## Installing part 1 of 1.
```

```
/opt/cemf/bin/cmmnstatus <symbolic link>
```

```
/opt/cemf/bin/cmmnstatus.pl
```

```
/opt/cemf/bin/cmmntrapforward
```

```
/opt/cemf/bin/cmmnversion
```

```
/opt/cemf/bin/cmmnversion.pl
```

```
/opt/cemf/bin/modules/avUtilities
```

```
/opt/cemf/bin/modules/avUtilitiesAC.pm
```

```
?-----output suppressed-----?
```

```

[verifying class <none>]

Installation of <CSCOCmmn> was successful.

The following packages are available:
  1 CSCOCmmn      Cisco MGC-Node Manager (CMNM) 2.3
                  (sparc) 2.3(1)

Select package(s) you wish to process (or 'all' to process
all packages). (default: all) [?,??,q]:
Processing package instance <CSCOCmmn> from
</opt/images/tmp/pkgs/manager/CSCOCmmn.pkg>

Skipping CiscoView uninstallation

Processing package instance <CSCOCmhp> from </opt/images/tmp/pkgs>

CMNM 2.3 Online Help
(sparc) 2.3
Cisco Systems, Inc.
Using </opt/cemf/help> as the package base directory.
## Processing package information.
## Processing system information.

?-----output suppressed-----?

/opt/cemf/help/CSCOCmmn/userguide/toc.gif
[verifying class <none>]

Installation of <CSCOCmhp> was successful.

Processing package instance <CSCOCmcd> from </opt/images/tmp/pkgs>

CMNM 2.3 Online CD-ROM Help
(sparc) 2.3
Cisco Systems, Inc.
Using </opt/cemf/help> as the package base directory.
## Processing package information.
## Processing system information.
  1 package pathname is already properly installed.
## Verifying package dependencies.
## Verifying disk space requirements.

?-----output suppressed-----?

```

```

/opt/cemf/help/CSCOCmmn/cdapp/launched
/opt/cemf/help/CSCOCmmn/cdapp/search.ini
[verifying class <none>]

Installation of <CSCOCmcd> was successful.

Processing package instance <CSCOCmcd> from </opt/images/tmp/pkgs>

CMNM 2.3 CiscoView Client Package Stub
(sparc) 2.3
Cisco Systems, Inc.

Please enter the CiscoView Server IP address [def: 0.0.0.0] [?,q]

Using </opt/cemf> as the package base directory.
## Processing package information.
## Processing system information.
## Verifying disk space requirements.

Installing CMNM 2.3 CiscoView Client Package Stub as <CSCOCmcd>

## Installing part 1 of 1.
/opt/cemf/bin/cmmSecurityClient
/opt/cemf/bin/cmmupdateCVip
/opt/cemf/bin/cmmupdateCVip.pl
/opt/cemf/bin/modules/cvUtilities.pm
[verifying class <none>]

Installation of <CSCOCmcd> was successful.
Installing CSCOCmmn ...
## Finding cemf root dir
cemf basedir = "/opt/cemf"
cemf logs dir = "/opt/cemf/logs"

** Warning **
** It is strongly advised that you backup your databases
** before running this command.
** This can be achieved using the command "cemf backup"

** Warning **
** This command will stop all sessions connected to this
** machine.

## Script executed
Start of "mgcEMm" Installation
Time stamp Thu Sep 26 10:49:36 PDT 2002

```

```
## Checking package suitability
  Package Ok.
## Installing package

Processing package instance <mgcEMm> from
</opt/images/tmp/elementmanagers/mgcEM/packages>

Cisco Media Gateway Node Manager
(sparc) 2.3
Cisco Systems, Inc.
## Executing checkinstall script.
Using </opt/cemf> as the package base directory.
## Processing package information.
## Processing system information.
  24 package pathnames are already properly installed.
## Verifying disk space requirements.

Installing Cisco Media Gateway Node Manager as <mgcEMm>

## Executing preinstall script.
## Installing part 1 of 1.
/opt/cemf/config/C/help/objectFiles/S00generic.types
/opt/cemf/config/C/help/objectFiles/S01alarms.types
/opt/cemf/config/C/help/objectFiles/S01containers.types
/opt/cemf/config/C/help/objectFiles/S01lip.types
/opt/cemf/config/C/help/objectFiles/S01trees.types
/opt/cemf/config/C/help/objectFiles/S02partitioning.types

?-----output suppressed-----?

/opt/cemf/config/dataload/historyCriteria/switch5500PortHistoryCriteria
/opt/cemf/config/dataload/historyCriteria/switchCatChassisHistoryCriteri
a
/opt/cemf/config/dataload/historyCriteria/switchIOSChassisHistoryCriteri
a
[verifying class <histcriteria>]
[verifying class <replace>]
## Executing postinstall script.

Installation of <mgcEMm> was successful.
  Installation Ok.
## Registering package with CEMF Manager
  Registration successful.
## Reading environment
  Done.
```

```

## Reading Package Files
Done.
## Changing the current run level
Saving old run level as "100000"
Setting new run level as "19999"
## Executing actions
configospec      - Running "/opt/cemf/config/selfManagement/actions/l.configospec"
events           - Running "/opt/cemf/config/selfManagement/actions/l.events configospec"
mibcontrol       - Running "/opt/cemf/config/selfManagement/actions/l.mibcontrol"

events          - Running "/opt/cemf/config/selfManagement/actions/l.events mibcontrol"
objecttype      - Running "/opt/cemf/config/selfManagement/actions/l.objecttype"
events          - Running "/opt/cemf/config/selfManagement/actions/l.events objecttype"
clearcor        - Running "/opt/cemf/config/selfManagement/actions/l.clearcor"
events          - Running "/opt/cemf/config/selfManagement/actions/l.events clearcor"
partitioning    - Running "/opt/cemf/config/selfManagement/actions/l.partitioning"
events          - Running "/opt/cemf/config/selfManagement/actions/l.events
partitioning"
viewspec        - Running "/opt/cemf/config/selfManagement/actions/l.viewspec"
events          - Running "/opt/cemf/config/selfManagement/actions/l.events viewspec"
processes       - Running "/opt/cemf/config/selfManagement/actions/l.processes"
events          - Running "/opt/cemf/config/selfManagement/actions/l.events processes"
objectspec      - Running "/opt/cemf/config/selfManagement/actions/l.objectspec"
events          - Running "/opt/cemf/config/selfManagement/actions/l.events objectspec"
histcriteria    - Running "/opt/cemf/config/selfManagement/actions/l.histcriteria"
events          - Running "/opt/cemf/config/selfManagement/actions/l.events
histcriteria"
binary          - No Action Defined.
events          - Running "/opt/cemf/config/selfManagement/actions/l.events binary"
em_config       - No Action Defined.
events          - Running "/opt/cemf/config/selfManagement/actions/l.events em_config"
none            - No Action Defined.
events          - Running "/opt/cemf/config/selfManagement/actions/l.events none"
noreplace       - No Action Defined.
events          - Running "/opt/cemf/config/selfManagement/actions/l.events noreplace"
replace         - No Action Defined.
events          - Running "/opt/cemf/config/selfManagement/actions/l.events replace"
schema          - No Action Defined.
events          - Running "/opt/cemf/config/selfManagement/actions/l.events schema"
## Resetting run level
Setting run level to "100000"
## Program Finished
Completed successfully.

## Finding cemf root dir
cemf basedir = "/opt/cemf"

```



```
cemf logs dir = "/opt/cemf/logs"

** Warning **
** It is strongly advised that you backup your databases
** before running this command.
** This can be achieved using the command "cemf backup"

** Warning **
** This command will stop all sessions connected to this
** machine.

## Script executed
Start of "hostEMm" Installation
Time stamp Thu Sep 26 10:59:16 PDT 2002
## Checking package suitability
Package Ok.
## Installing package

Processing package instance <hostEMm> from
</opt/images/tmp/elementmanagers/hostEM/packages>

Cisco Media Gateway Node Manager
(sparc) 2.3
Cisco Systems, Inc.
## Executing checkinstall script.
Using </opt/cemf> as the package base directory.
## Processing package information.
## Processing system information.
    100 package pathnames are already properly installed.
## Verifying disk space requirements.

Installing Cisco Media Gateway Node Manager as <hostEMm>

## Executing preinstall script.
## Installing part 1 of 1.
/opt/cemf/config/C/help/objectFiles/x_hostEM.types
/opt/cemf/config/images/24x24/mnm-adigtree.gif

?-----output suppressed-----?

/opt/cemf/config/dataload/historyCriteria/hostSIPPathHistoryCriteria
/opt/cemf/config/dataload/historyCriteria/hostSS7PathHistoryCriteria
/opt/cemf/config/dataload/historyCriteria/hostSS7SGIPLinkHistoryCriteria
/opt/cemf/config/dataload/historyCriteria/hostTrunkGroupHistoryCriteria
```

```

[verifying class <histcriteria>]
[verifying class <replace>]
## Executing postinstall script.

Installation of <hostEMm> was successful.
Installation Ok.
## Registering package with CEMF Manager
Registration successful.
## Reading environment
Done.
## Reading Package Files
Warning "/opt/cemf/config/objectTypes/avmt.types" is already referenced
    by the package(s) "mgcEMm hostEMm".
Done.
## Changing the current run level
Saving old run level as "100000"
Setting new run level as "19999"
## Executing actions

?-----output suppressed-----?

"/opt/cemf/config/selfManagement/actions/l.events schema"
## Resetting run level
Setting run level to "100000"
## Program Finished
Completed successfully.

CEMF shell parameters set
(Note: LD_LIBRARY_PATH and PATH may be reset by your shell startup files)
Running /bin/csh
CEMF shell parameters set
(Note: LD_LIBRARY_PATH and PATH may be reset by your shell startup files)
Running /bin/csh

-----

Verifying CSCOcmm Installation

Everything appears to be installed correctly.

Please see installation logfile:

/var/tmp/installCSCOcmm.log

```

## Verifying Correct Installation Before Continuing

**Step 5** Before continuing, you should check to ensure everything was installed correctly.

cmnm-pri# **pkginfo -l CSCOcmm**

```

PKGINST:  CSCOcmm
      NAME:  Cisco MGC-Node Manager (CMNM) 2.3
CATEGORY:  application
      ARCH:  sparc
VERSION:   2.3(1)
BASEDIR:   /opt/cemf
VENDOR:    Cisco Systems, Inc.
INSTDATE:  Oct 03 2002 17:24
STATUS:    completely installed
FILES:     34 installed pathnames
           5 shared pathnames
           8 directories
           4 executables
           1 setuid/setgid executables
           528 blocks used (approx)

```

**Step 6** Obtain CMNM version information:

cmnm-pri# **bin/cmmnversion -verbose**

```

CSCOcmm Tool Versions

          Patch Build  Build
          Name Version Level  Num  Type
-----
CSCOcmm  2.3(1)   02  091802 REL
CSCOcmcv   2.3
CSCOcmlhp  2.3    00
CSCOcmlfm  3.2 Patch: 170003-10
          Patch: 190302-01
-----

CSCOcmm Element Manager Versions

          Patch Build  Build
          Name Version Level  Num  Type
-----
hostEMm   2.3    02  091802 REL
mgcEMm   2.3    02  091802 REL
-----

```



### Note

Specific information displayed from running the above script above varies according to the release and patch you installed.

## Verifying the Installation of CiscoView 5.1

**Step 7** Verify the CiscoView 5.1 installation:

```
cmnm-pri# pkginfo -l CSCOcmev
    PKGINST:  CSCOcmev
        NAME:  CMNM 2.3 CiscoView Client Package Stub
    CATEGORY:  application
        ARCH:  sparc
    VERSION:  2.3
    BASEDIR:  /opt/cemf
    VENDOR:   Cisco Systems, Inc.
    INSTDATE: Oct 03 2002 17:25
    STATUS:   completely installed
    FILES:    6 installed pathnames
             2 shared pathnames
             2 directories
             2 executables
             116 blocks used (approx)
```

**Step 8** Run the following script to determine the packages installed with CiscoView.

## Installing CMNM Patches

Installing Patch 01 for CMNM is very much like installing the entire package. The output is not shown here, just the feedback from a successful install. The Patch01 file is untarred into a temporary directory, just like you did with the original distribution file. The install script is called **patchCSCOcmmn**.

**Step 9** Untar the **CSCOcmmn-2.3.1-P01.tar** file:

```
cmnm-pri# tar -xvof CSCOcmmn-2.3.1-P01.tar
```

**Step 10** Get the contents of the CMNM Patch01 file:

```
cmnm-pri# ./patchCSCOcmmn
```

```
-----
                Cisco MGC-Node Manager Patch Program
                Thu Sep 26 11:46:41 AM

Setup has detected that both the CEMF Manager and CSCOcmmn Manager
software is installed on this workstation.
Do you wish to patch the CSCOcmmn Manager software. [y/n]: [y]

?-----output suppressed-----?

## Resetting run level
  Setting run level to "100000"
## Program Finished
  Completed successfully.
```

Please see patch logfile:

```
/var/tmp/patchCSCOcmnm.log
```

The final output above reports a successful installation of the first patch.

**Step 11** Install any more recent patches in the same manner as the first patch.

## Verifying Patch Installation Success

**Step 12** Get a listing of the installed patches:

```
cmnm-pri# bin/cmnmversion -verbose
```

```
CSCOcmnm Tool Versions
```

Name	Version	Level	Patch Num	Build Num	Build Type
CSCOcmnm	2.3(1)	02	091802	REL	
CSCOcmcv	2.3				
CSCOcmhp	2.3	00			
CSCOcemfm	3.2	Patch:	170003-10		
		Patch:	190302-01		

```
CSCOcmnm Element Manager Versions
```

Name	Version	Level	Patch Num	Build Num	Build Type
hostEMm	2.3	02	091802	REL	
mgcEMm	2.3	02	091802	REL	

## Starting CMNM

You must be logged into CMNM with an X windows connection in order to start CMNM.

**Step 13** Set the **DISPLAY** environment variable to the host you are accessing CMNM from:

```
cmnm-pri# setenv DISPLAY 171.71.73.38:0.0
```

**Step 14** Change to the CEMF directory and start CMNM:

```
cmnm-pri# cd /opt/cemf
```

```
cmnm-pri# bin/cemf session
```

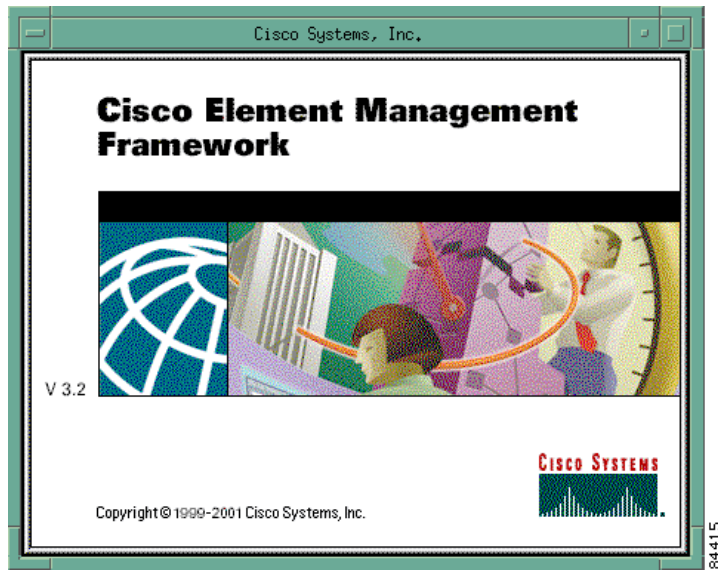
Starting CEMF Manager Applications.

ILOG Views 3.0.2, Copyright (C) 1990-1998 by ILOG.

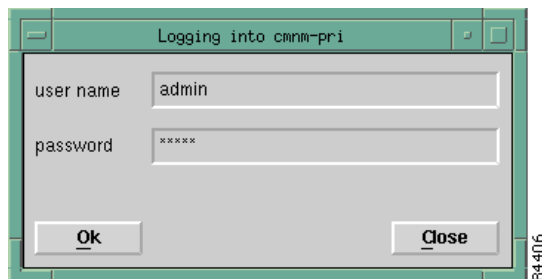
ILOG TGO 1.0.3, Copyright (C) 1997-1998 by ILOG.

You initially see the CEMF Logo and Login windows, as shown in [Figure 2-9](#) and [Figure 2-10](#).

*Figure 2-9 CEMF Logo Window*



*Figure 2-10 CMNM Login Window*



**Note**

The default user name and password values are both **admin**.

**Step 15**

When you see the above windows, the installation and start up were successful. you should now check to see if any upgrades exist for the CiscoView application.

## Upgrading CiscoView

CiscoView 5.1 is installed with CMNM. You should check for upgrades and, if any exist, install them. If no CiscoView upgrades exist, you are now ready to install Cisco PTC and its integrated component application, Cisco VRC. Go to the “[Installing Cisco PTC 2.1.1 Integrated with Cisco VRC 1.1](#)” section.

- 
- Step 1** Check the CiscoView web site for the latest supported version of the package:  
<http://www.cisco.com/kobayashi/library/netmanage/cview/>.
- Step 2** If an upgrade exists, install it as shown in the following steps. Otherwise, go to the “[Installing Cisco PTC 2.1.1 Integrated with Cisco VRC 1.1](#)” section.
- Step 3** Download the latest CiscoView packages and place them in a temporary directory (for example, `/scratch/cvUpgrade`).
- Step 4** Make sure the package files are readable by the **root** user. If not, the packages do not appear in the CiscoView upgrade tool.
- Step 5** Become user **root**:
- ```
% su root
```
- Step 6** Change to the `/scratch/cvUpgrade` directory.
- ```
# cd /scratch/cvUpgrade
```
- Step 7** To run the CiscoView upgrade tool, type:
- ```
# <Cisco EMF Directory>/ciscoview5.1/bin/xdsu
```
- Step 8** Click Install. Ignore the following exception:  
“ERROR: exception occurred while examining Integration Utility configuration:  
com.cisco.nm.nmim.nmic.IntgUtilCheckConfig”.
- Step 9** Type in the exact location of the CiscoView packages in the **Directory** box, then press **Enter** or click **Browse**, navigate to your CiscoView packages' temporary directory, and then click **Select**.
- Step 10** Select the CiscoView packages you want to upgrade, click **Install**, and then click the appropriate confirmation button.
- Step 11** You are now ready to install Cisco PTC and its integrated component application, Cisco VRC.
- 

## Installing Cisco PTC 2.1.1 Integrated with Cisco VRC 1.1

This section provides the Cisco PTC Client machine requirements, the devices that are supported by Cisco PTC in the 2.1.1 release and their corresponding platforms and IOS releases, the integrated and optional product components, as well as the Cisco PTC installation instructions.

### Cisco PTC Client Requirements

The Java 1.3.1 runtime environment/plugin for web browsers should be installed on the Cisco PTC Client machine. [Table 2-3](#) details the minimum system requirements of the Cisco PTC Client machine.

*Table 2-3 Cisco PTC Client Machine Requirements*

| Machine Type | Operating System  | CPU Speed | RAM   | Browser                                                               |
|--------------|-------------------|-----------|-------|-----------------------------------------------------------------------|
| PC           | Windows2000 or NT | 400MHz    | 256MB | Netscape 6.0 (or later) or Microsoft Internet Explorer 5.5 (or later) |
| Sun Ultra60  | Solaris 7 or 8    | 360MHz    | 256MB | Netscape 6.0 (or later)                                               |

## Cisco PTC Dependencies on Platform Versions

Table 2-4 describes the devices that are supported by Cisco PTC in the 2.1.1 release, as well as their corresponding platforms and IOS releases.

*Table 2-4 Cisco PTC Supported Devices*

| Category                 | Platform            | IOS Release                     |
|--------------------------|---------------------|---------------------------------|
| Signaling Controller     | SC2200              | 7.4(12), 9.2(2)                 |
| Signal Link Terminations | 2600 SLT, C2611 SLT | 12.2(1c)                        |
| Gateways                 | AS5300, AS5400      | 12.2(2)XU3, 12.2.7c, 12.2(11)T  |
| Gateway                  | AS5350              | 12.2(2)XU3, 12.2(11)T           |
| Gateway                  | AS5800              | 12.2.7c, 12.2(11)T              |
| Gateway                  | AS5850              | 12.2(2)XU3, 12.2(11)T           |
| Gateway                  | c7200               | 12.2(2)XU3, 12.2(11)T           |
| Gateway                  | c3600               | 12.2(11)T                       |
| Gatekeepers              | c7200, 3640, 3660   | 12.2(2)T, 12.2(11)T, 12.2(2)XU3 |



### Note

Cisco PTC must be installed by user **root**.

## Product Prerequisite

The Cisco CNS IE2100 appliance, version 1.2.2, is used by Cisco PTC to download and upload IOS configuration files to and from Cisco IOS devices. The Cisco CNS IE2100 appliance is a separate device and is not installed as part of the Cisco PTC installation process. You must ensure it is configured and operating properly; preferably prior to installing Cisco PTC.

To obtain access to Cisco CNS IE2100 documentation, go to the following URL:

[http://www.cisco.com/univercd/cc/td/doc/product/rtrmgmt/ie2100/cnfg\\_reg/rel\\_1\\_2/index.htm](http://www.cisco.com/univercd/cc/td/doc/product/rtrmgmt/ie2100/cnfg_reg/rel_1_2/index.htm).

## Integrated Product Component

The Cisco Voice Routing Center (Cisco VRC) application, version 1.1, can be used by Cisco PTC to help manage dial plans for H.323 based VoIP networks. Cisco PTC and Cisco VRC are fully integrated and can be installed and configured to run on the same machine while simultaneously using some common servers and processes.



To obtain access to Cisco VRC documentation, go to the following URL:

[http://www.cisco.com/univercd/cc/td/doc/product/rtrmgmt/vrc/vrc1\\_1/index.htm](http://www.cisco.com/univercd/cc/td/doc/product/rtrmgmt/vrc/vrc1_1/index.htm).

## Optional Product Components

The following applications can be launched from the Cisco PTC Topology Manager, however, they are not installed as part of the Cisco PTC installation process. If you plan on Cisco PTC using or working with any of the following applications, you must ensure they are installed, configured, and operating properly; preferably prior to installing Cisco PTC:

- Cisco MGC Node Manager (CMNM), version 2.3.1 (plus Patch 1 and 2)—the Element Management System (EMS) for managing signaling controllers.
- Voice Services Provisioning Tool (VSPT), versions 2.3—used to configure and provision the PGW2200
- CiscoView—is a web based device management application that provides dynamic status, monitoring, and configuration information for the broad range of Cisco internetworking products. To obtain access to CiscoView documentation, go to the following URL:

[http://www.cisco.com/univercd/cc/td/doc/product/rtrmgmt/cw2000/cw2000\\_d/4steditn/use\\_view/index.htm](http://www.cisco.com/univercd/cc/td/doc/product/rtrmgmt/cw2000/cw2000_d/4steditn/use_view/index.htm).

- Cisco Info Center (CIC)—is a Service-Level Management system that collects event streams or messages from many different data sources and then provides a consolidated view of the events and status information. To obtain access to Cisco Info Center documentation, go to the following URL:

[http://www.cisco.com/univercd/cc/td/doc/product/rtrmgmt/info\\_ctr/index.htm](http://www.cisco.com/univercd/cc/td/doc/product/rtrmgmt/info_ctr/index.htm).

- Carrier Sensitive Router (CSR) Server—provides the capability to affect the routing of calls from the gatekeeper based upon the INGRES carrier and the dialed number.

## Installing Cisco PTC

This section describes how to install the Cisco PTC product software from the product CDROM.

Cisco PTC installation is a component based installation process. Each component is installed through the Cisco PTC installation process in either *Standalone* or *Integrated* mode.



### Note

The Cisco PTC and Cisco VRC applications are fully integrated and are able to simultaneously use some common servers and processes. As such, Cisco PTC is installed in Standalone mode when the Cisco VRC application is not currently installed on the machine where Cisco PTC is being installed and allows you to install all of the Cisco PTC subcomponents.

Cisco PTC is installed in Integrated mode when the Cisco PTC installation process detects that the Cisco VRC application is already installed on the machine. As such, the Cisco PTC subcomponents are not reinstalled. Instead, Cisco PTC is configured to use the common subcomponents that were installed with the Cisco VRC application.

This chapter installs Cisco PTC in Standalone mode, integrated with Cisco VRC, because it is a new install and Cisco VRC has not been installed previously.

## Pre Installation Checks

This section lists a set of tasks you must perform prior to beginning the Cisco PTC installation process.

1. Make sure the Cisco PTC **CNSC CORE** and **CNS INTEGRATION BUS** packages were not previously installed on the Cisco PTC server machine:

```
#pkginfo -l CNSC
```

```
#pkginfo -l TIBRV
```

The above checks should return error messages when the packages are not found.

2. If Cisco PTC is installed in Standalone mode, make sure a directory named **vnm** does not exist under the **/opt** directory or under the directory where you plan on installing the Cisco PTC product software. Also make sure that the **vnm** user and a **vnm** group accounts do not exist.
3. If Cisco PTC is installed in Standalone mode, make sure a soft link of type **/opt/cisco/vnm** does not exist.
4. If Cisco PTC is installed in Standalone mode, make sure the Cisco CNS Security Services Administration server is not installed on the system (that is, the **/opt/vnm/common/spe** and **/opt/vnm/common/dcdsrvr** directories should not exist on the system).
5. Make sure no Cisco VRC, MYSQL, Cisco CNS Integration Bus, and Cisco CNS Security processes are running before installation.
6. Make sure the Cisco PTC server machine has a static IP address assigned and is reachable using telnet.
7. Make sure the Perl package is installed on this machine when the Cisco VRC application is to be installed.
8. Make sure the default Java package exists in the system in order for Cisco CNS Security configuration to be successful.
9. Make sure a previously created **vnm** user account is removed prior to installing Cisco PTC.



### Tip

If non-English characters are displayed on your screen while using Cisco PTC, ensure that the C-POSIX character set is being used and that the display resolution is set to 1280 \* 1024 or higher.

## Cisco PTC Server Installation

The Cisco PTC installation script allows you to install the following components:

- CNSC Core servers—Cisco PTC *must* be installed in the **/opt/vnm** directory
- Sybase Database
- Cisco CNS Integration Bus
- Cisco CNS Security
- Cisco Voice Routing Center
- Java
- Tomcat

## Copying Cisco PTC Files From the Product CD

- Step 1** Insert the Cisco PTC product CD into the CDROM drive.
- Step 2** Open a X-terminal window and log in as user **root**.
- Step 3** Set the terminal mode to C shell:
- ```
ptc-tme# csh
```
- Step 4** Set the **DISPLAY** environment variable:
- ```
ptc-tme# setenv DISPLAY 171.71.73.38:0.0
```
- Step 5** Go to the CDROM directory:
- ```
ptc-tme# cd /cdrom/cdrom0
```
- Step 6** Copy the compressed Cisco PTC tar file to the **/opt** directory and navigate to that directory:
- ```
ptc-tme# cp cisco-ptc2.1.1.tar.Z /opt
ptc-tme# cd /opt
```
- Step 7** Uncompress the **cisco-ptc2.1.1.tar.Z** file:
- ```
ptc-tme# uncompress cisco-ptc2.1.1.tar.Z
```
- The tar file is uncompressed creating a **cisco-ptc2.1.1.tar** file in the **/opt** directory.
- Step 8** Untar the **cisco-ptc2.1.1.tar** file:
- ```
ptc-tme# tar -xvf cisco-ptc2.1.1.tar
```
- A **/opt/PTC-2.1.1** directory is created and the Cisco PTC files are placed there.
- Step 9** After the tar process completes, delete the **cisco-ptc2.1.1.tar** file:
- ```
ptc-tme# rm cisco-ptc2.1.1.tar
```
- Step 10** Eject the Cisco PTC product CD:
- ```
ptc-tme# eject cd
```

## Installing the CNSC CORE Package

This section describes how to install the Cisco PTC **CNSC - CORE** package. These directions are for a host on which there is no previous installation of Cisco VRC. If this is not the case for your installation, and if you already have Cisco VRC installed on the Cisco PTC host, you must refer to the *Cisco Packet Telephony Center Installation and Configuration Guide* for instructions on how to properly shut down the Cisco VRC, Cisco CNS, and DCD server processes:

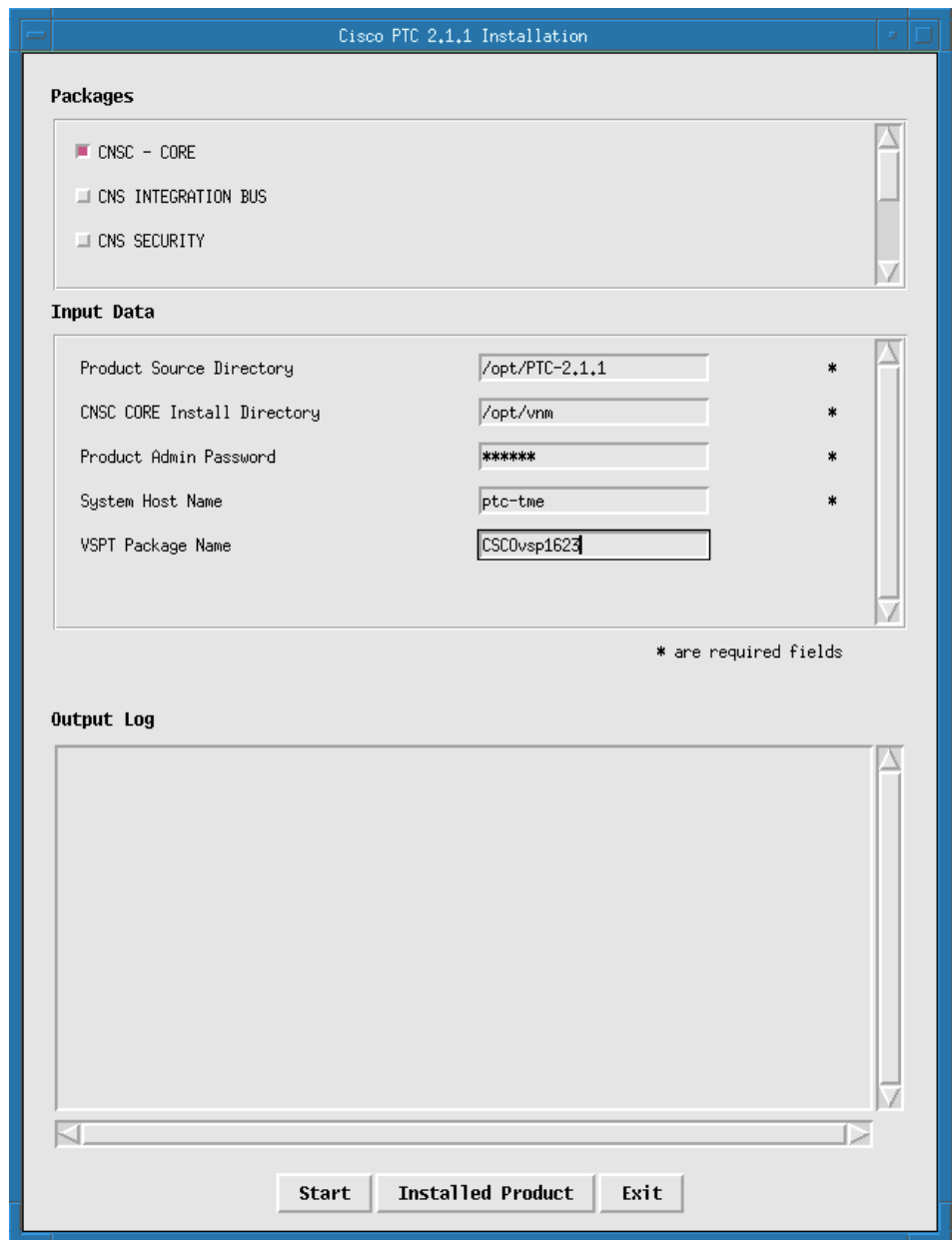
[http://www.cisco.com/univercd/cc/td/doc/product/rtrmgmt/ptc/2\\_1\\_1/install/install.htm#xtocid14](http://www.cisco.com/univercd/cc/td/doc/product/rtrmgmt/ptc/2_1_1/install/install.htm#xtocid14).

- Step 11** Assuming Cisco VRC is not present on this host, begin the installation process. Go to the directory where you installed the Cisco PTC product files:
- ```
ptc-tme% cd /opt/PTC-2.1.1
```
- Step 12** Make sure the **DISPLAY** environment variable is set:
- ```
ptc-tme% setenv DISPLAY 171.71.150.111:0.0
```
- Step 13** Invoke the Cisco PTC installation script:
- ```
ptc-tme% ./cnscInstall
```
- Launching the installation GUI ...

The Cisco PTC Installation window appears, as shown in [Figure 2-11](#), allowing you to install the following packages:

- **CNSC - CORE**
- **CNS INTEGRATION BUS**
- **CNS SECURITY**
- **JAVA**
- **TOMCAT**
- **VRC**

*Figure 2-11 Cisco PTC Installation Window*



- Step 14** Click the **CNSC - CORE** check box.  
Only the **CNSC - CORE** check box should be selected at this time.



**Note** If you cannot see the bottom of the Cisco PTC Installation window (the **Start** and **Exit** buttons), it is likely that your screen resolution is too low. A minimum of 1280x1024 is required.

- Step 15** Enter the following information in the **Input Parameters** fields:
- Product Source Directory: **/opt/PTC-2.1.1** (location of the Cisco PTC install scripts)  
Product Install Directory: **/opt/vnm** (base directory where Cisco PTC must be installed)  
Product Admin Password: (Cisco PTC system administrator password - *remember* this password because you must use the same password for each module that you install. If you get distracted in between module installations, you may forget what password you used.)  
System Host Name: **ptc-tme**  
VSPT Package Name: **CSCOvsp23**
- Step 16** Click the **Start** button to invoke the **CNSC - CORE** package installation process.  
The Output log displays the progress of the installation.
- Step 17** Upon successful completion of the installation process, click the **Exit** button.  
The Cisco PTC Installation window is closed.
- Step 18** Verify the **CNSC - CORE** package installation was successful by invoking the following command:

```
ptc-tme% pkginfo -l CNSC
    PKGINST:  CNSC
        NAME:  PTC-2.1.1
    CATEGORY:  Application
        ARCH:  sparc
    VERSION:  02_01_18_00
    BASEDIR:  /opt/cisco/vnm
    VENDOR:   Cisco Systems
    PSTAMP:   13thSep2002
    INSTDATE: Sep 24 2002 15:37
        EMAIL: zbigniew@cisco.com
    STATUS:   completely installed
    FILES:    4419 installed pathnames
              258 directories
              1001 executables
              1 setuid/setgid executables
              810447 blocks used (approx)
```

The command output should be “Completely Installed”. If however, the output states “Partially Installed” or an error is returned, you must uninstall the **CNSC – CORE** package (refer to the “Uninstalling Cisco PTC Software” section in the *Cisco Packet Telephony Center Installation and Configuration Guide*) and then attempt to reinstall the **CNSC - CORE** package again.

Before proceeding, you must refer to the “Caveats” section in the *Release Notes for Cisco Packet Telephony Center, Release 2.1* to see whether you must modify any of the parameters in the `/etc/system` file. After the following the instructions in the “Caveats” section:

[http://www.cisco.com/univercd/cc/td/doc/product/rtrmgmt/ptc/2\\_1/relnotes/relnote.htm#65500](http://www.cisco.com/univercd/cc/td/doc/product/rtrmgmt/ptc/2_1/relnotes/relnote.htm#65500).

Assuming compliance, proceed.

**Step 19 Reboot** the Cisco PTC machine.

You **must reboot the Cisco PTC Server machine at this time**, no matter if this is an initial installation or reinstallation of Cisco PTC, or the parameters in the `/etc/system` file were modified.

**Step 20** Upon rebooting the Cisco PTC machine, proceed to the next section (“Installing the Cisco CNS Integration Bus and Cisco CNS Security Packages”).

## Installing the Cisco CNS Integration Bus and Cisco CNS Security Packages

This section describes how to install the **CNS INTEGRATION BUS** and **CNS SECURITY** packages once you have successfully installed the Cisco PTC **CNSC -CORE** package.

**Step 1** Open an Xwindow session and log in as user **root**:

**Step 2** Set the **DISPLAY** environment variable to the IP address of the machine you are using (assuming C shell):

```
ptc-tme# setenv DISPLAY 171.71.150.111:0.0
```

**Step 3** Invoke the Cisco PTC installation script from the product directory:

```
ptc-tme# ./cnscInstall
```

**Step 4** Observe the Cisco PTC Installation window again, as shown in [Figure 2-11](#).

**Step 5** Click the **CNS INTEGRATION BUS** check box. Only the **CNS INTEGRATION BUS** check box should be selected at this time.

**Step 6** Enter the same information as you did for the CORE installation.

**Step 7** Upon successful completion of the installation process, deselect the **CNS INTEGRATION BUS** package and then select the **CNS SECURITY** package by clicking on their respective check boxes. Only the **CNS SECURITY** check box should be selected at this time.

**Step 8** Enter **Input** parameters again for the **CNS SECURITY** package.

**Step 9** Upon successful completion of the **CNS SECURITY** package's installation process, click the **Exit** button.

The Cisco PTC Installation window is closed.

**Step 10** Verify the **CNS INTEGRATION BUS** package installation was successful by invoking the following command:

```
ptc-tme# pkginfo -l TIBRV
```

```
PKGINST: TIBRV
NAME: TIB(r)/Rendezvous(tm) Software V6
CATEGORY: application
ARCH: sparc
VERSION: 6_4
BASEDIR: /opt/cisco/vnm/common/tibrv
```

```

VENDOR: TIBCO Software INC.
PSTAMP: 99/12/10
INSTDATE: Sep 24 2002 15:54
EMAIL: support@tibco.com
STATUS: completely installed
FILES:      133 installed pathnames
           15 directories
           30 executables
           2 setuid/setgid executables
23870 blocks used (approx)

```

- Step 11** Once again, make sure the package was “completely installed”.
- Step 12** Verify the **CNS SECURITY** package installation was successful by checking whether the default Cisco CNS Security installation directories (**spe** and **dcdsrvr**) exist:

```
ptc-tme# cd /opt/vnm/common
```

```
ptc-tme# ls
```

```

dcdsrvr          installer          spe
uninstallCnsIB.sh  uninstallJava.sh
installEnvVar.csh  sybase            uninstallCnsSec.sh
uninstallSybase.sh
installEnvVar.sh  tibrv            uninstallGdpm.sh
uninstallTomCat.sh

```

- Step 13** If these directories do not exist, you must attempt to reinstall the **CNS SECURITY** package.

## Installing the JAVA and TOMCAT Packages

This section describes how to install the Cisco PTC JAVA and TOMCAT packages once you have successfully installed the Cisco PTC **CNSC - CORE**, **CNS INTEGRATION BUS**, and **CNS SECURITY** packages.

- Step 1** Follow the initial steps for starting the **CNSC - CORE** install process as in the previous sections.
- Step 2** Click the **JAVA** check box. Only the **JAVA** check box should be selected at this time. Enter the same parameters in the **Input Parameters** fields, using the same password.
- Step 3** Click the **Start** button to invoke the JAVA package's installation process.
- The Output log in the Cisco PTC Installation window displays the progress of the installation.
- Step 4** Upon successful completion of the installation process, deselect the **JAVA** package and select the **TOMCAT** package by clicking their respective check boxes. Only the **TOMCAT** check box should be selected at this time.
- Step 5** Enter the **Input Parameters** again and click start.
- Step 6** Upon successful completion of the TOMCAT package's installation process, click the **Exit** button. The Cisco PTC Installation window is closed.

- Step 7** Verify the JAVA package installation was successful by checking whether the `/opt/vnm/common/jre` directory exists.

```
ptc-tme# cd /opt/vnm/common
ptc-tme# ls
dcdsrvr          installer          spe
uninstallCnsIB.sh  uninstallJava.sh
installEnvVar.csh  jakarta-tomcat-3.3.1  sybase
uninstallCnsSec.sh  uninstallSybase.sh
installEnvVar.sh   jre                tibrv
uninstallGdpm.sh   uninstallTomCat.sh
```

- Step 8** Verify the TOMCAT package installation was successful by checking whether the `/opt/vnm/common/jakarta-tomcat-3.3.1` directory exists.

## Installing the Cisco Voice Routing Center Application

Following is a list of important items you should be aware of prior to installing the Cisco VRC package:

1. Make sure no mysql or Cisco VRC processes are running before installing the Cisco VRC package in Integrated mode. You should get a null return or just a return of the **grep** process:

```
ptc-tme# ps -ef | grep mysql
```

```
ptc-tme# ps -ef | grep Gdpm
```

2. Perl must already be installed on the machine you plan on using to install the Cisco VRC package.



### Note

Even if the Cisco VRC application was previously installed on the machine you just installed Cisco PTC, you must perform the following steps so that Cisco PTC is configured to use the common components that were installed with the Cisco VRC application.

- Step 1** Follow initial setup steps as detailed in the previous sections and invoke the **cncInstall** executable:

```
ptc-tme# pwd /opt/PTC-2.1.1
```

```
ptc-tme# ./cncInstall
```

- Step 2** In the Cisco PTC Installation window, click the **VRC** check box. Only the **VRC** check box should be selected at this time. The same as all the other installations, enter the **Input Parameter** fields, this time pointing to the directory where the Cisco VRC distribution file is located. Click the **Start** button.



### Note

You must set the **Product Source Directory** value to the directory where the Cisco VRC install scripts are located. Look for the directory with the scripts **install.sh** and **install.pl**.

- Step 3** Upon successful completion of the installation process, click the **Exit** button.

The Cisco PTC Installation window is closed.



- Step 4** Verify the **VRC** package installation was successful by verifying that the following links and directories exist under the **/opt/vnm** directory:
- a **gdpm** soft link.
  - a **mysql** soft link.
  - the **mysql-3.23.42-sun-solaris2.8-sparc** (for Solaris 8) directory exists.

ptc-tme# **pwd**

/opt/vnm

ptc-tme# **ls -l**

```
total 3670
-rw-rw-r--  1 vnm      vnm          0 Sep 27 14:58 -i
-rw-rw-r--  1 vnm      vnm          0 Sep 27 12:04 02_01_18_00
-rw-rw-r--  1 vnm      vnm          0 Sep 27 12:04 02_01_18_01.tar
drwxr-xr-x  2 vnm      vnm        512 Sep 27 14:59 Database
drwxr-xr-x  2 vnm      vnm        512 Sep 24 15:37 IORS
-rwxr-xr-x  1 vnm      vnm        347 Sep 24 16:43 InstalledProduct
drwxr-xr-x  5 vnm      vnm        512 Sep 24 15:37 NAgent
-rwxr-xr-x  1 vnm      vnm       5112 Aug  7 07:20 README.TXT
drwxr-xr-x  2 vnm      vnm        512 Sep 24 15:37 behmgr
drwxr-xr-x  2 vnm      vnm       3072 Sep 24 15:38 bin
drwxr-xr-x  4 vnm      vnm        512 Sep 27 15:03 cm
-rwxr-xr-x  1 vnm      vnm       1566 Sep 13 14:01 cnsCUninstall
-rw-rw-r--  1 vnm      vnm          5 Sep 27 14:58 coldstart.started
drwxr-xr-x  9 vnm      vnm        512 Sep 24 16:04 common
-rw-r--r--  1 vnm      vnm        912 Sep 24 16:43 common.csh
-rw-r--r--  1 vnm      vnm        912 Sep 24 16:43 common.ksh
lrwxrwxrwx  1 root    other        25 Sep 24 15:41 commonenv.csh ->
/opt/cisco/vnm/common.csh
lrwxrwxrwx  1 root    other        25 Sep 24 15:41 commonenv.ksh ->
/opt/cisco/vnm/common.ksh
drwxr-xr-x  5 vnm      vnm       1536 Sep 27 14:58 config
-rw-r--r--  1 vnm      vnm       2091 Sep 24 16:43 cshenv.gdpm
-rwxr-xr-x  1 vnm      vnm         90 Sep 27 14:58 csm.properties
drwxr-xr-x  2 vnm      vnm        512 Sep 24 15:41 db
drwxr-xr-x  3 vnm      vnm        512 Feb 22  2002 emsdata
-rwxr-xr-x  1 vnm      vnm       1616 Sep 24 15:41 env.csh
-rwxr-xr-x  1 vnm      vnm       1603 Sep 24 15:41 env.ksh
drwxr-xr-x  2 vnm      vnm        512 Sep 24 15:38 eventmgmt
lrwxrwxrwx  1 vnm      vnm         8 Sep 24 16:42 gdpm -> gdpm_1.1
drwxrwxr-x  9 vnm      vnm        512 Sep 24 16:43 gdpm_1.1
drwxr-xr-x  2 vnm      vnm        512 Sep 24 16:42 gdpm_install
-rwxr-xr-x  1 root    other        85 Sep 24 16:04 installedPackage
-rwxr-xr-x  1 vnm      vnm         59 Sep 13 13:59 java.policy
drwxr-xr-x  7 vnm      vnm       3072 Sep 27 14:58 lib
drwxr-xr-x  2 vnm      vnm       1536 Sep 30 10:11 log
drwxrwxr-x  2 vnm      vnm        512 Sep 27 15:39 logs
```

```

lrwxrwxrwx  1 root    other          37 Sep 24 16:42 mysql -> mysqlcom-
3.23.51-sun-solaris2.8-sparc
drwxr-xr-x  13 root    vnm          512 Jun 13 09:04 mysqlcom-3.23.51-sun-solaris2.8-sparc
drwxr-xr-x   4 vnm     vnm          512 Sep 24 15:39 packages
drwxr-xr-x   2 vnm     vnm          512 Sep 27 13:51 rel
-rwxr-xr-x   1 vnm     vnm           40 Sep 30 17:36 status.txt
-rwxr-xr-x   1 vnm     vnm         1727 Sep 24 15:41 system.ini
drwxr-xr-x  10 vnm     vnm          512 Sep 24 15:40 tools
drwxr-xr-x   5 vnm     vnm          512 May 28 14:36 topodisc
drwxr-xr-x   5 vnm     vnm          512 Sep 24 15:41 topology
-rw-rw-r--   1 vnm     vnm        1175529 Sep 30 17:33 trace.swapper
-rwxr-xr-x   1 vnm     vnm         21187 Aug  7 07:14 vcginstall
-rwxr-xr-x   1 vnm     vnm         21356 Sep 13 13:59 vcginstallPTC
-rwxr-xr-x   1 vnm     vnm         577680 Sep 13 14:00 vnm.xml
drwxr-xr-x   2 vnm     vnm          512 Sep 24 15:41 webserver

```

---

## Installing the Voice CORBA Gateway on the CMNM Host

When a Cisco MGC Node Manager exists in the network, you must install the latest version of the Voice CORBA Gateway (VCG) software that is provided on the Cisco PTC product CD, onto the remote CMNM machine(s), upon successful installation of the Cisco PTC **CNSC - CORE** package.

VCG supports FTP (File Transfer Protocol) and SFTP (Secure File Transfer Protocol) for transferring information from the VCG to Cisco PTC. When you use the SFTP mode, make sure the SFTP package is installed and the **sshd** process is up and running on both the Cisco PTC and VCG machines.

---

**Step 1** Login in as **root** with an Xwindows client to the Cisco PTC machine.

```

Last login: Fri Sep 27 14:54:16 from dhcp-171-71-150
Sun Microsystems Inc. SunOS 5.8 Generic Patch October 2001
ptc-tme#

```

**Step 2** Set the **DISPLAY** environment variable to the machine you are working from:

```
ptc-tme# setenv DISPLAY 171.71.150.111:0.0
```

**Step 3** Ensure the **/usr/sbin/share** directory is in the **PATH** environment variable of the user **root** on the Cisco PTC machine. If it is not, add it:

```

ptc-tme# more /.cshrc
# @(#)cshrc 1.11 89/11/29 SMI
umask 022

set path=(/bin /usr/bin /usr/local/bin /usr/sbin/share /usr/openwin/bin /usr/ucb /etc .)
if ($?prompt) then
    set history=32
endif

setenv TERM vt100

```

**Step 4** To confirm the `/usr/sbin/share` directory is in your **PATH** variable, execute:

```
ptc-tme# which share
```

```
/usr/sbin/share
```

**Step 5** Go to the Cisco PTC **scripts** directory:

```
ptc-tme# cd /opt/cisco/vnm/tools/scripts
```

**Step 6** Run the **configureVNM** script:

```
ptc-tme# ./configureVNM
```

The Configure VNM window appears.

**Step 7** Choose Option number **2 (Install MCG)**:

```
-----
VNM Configuration
-----

Main Menu
-----

1. Configure EMSs
2. Install MCG
3. Add EMS (CMGM)
4. Add EMS (CMNM)
5. Remove EMS
6. List existing EMSs
7. Quit
```

```
Enter (1 to 7): 2
```

```
Installing MCG...
```

**Step 8** When prompted, enter **1** as the number of EMSs.

```
Configuring EMS...
```

```
Number of EMSs: 1
```

```
Now please enter data for the 1 EMSs.
```

```
EMS 0 hostname: cmnm-pri
```




---

**Note** **cmnm-pri** is the host being used in this example. You should substitute your own CMNM hostname. When VCG is installed on a non-DNS machine, use the remote CMNM machine's IP address instead of its hostname.

---

**Step 9** Enter the File Transfer Protocol (**SFTP** or **FTP**) method to be used:

```

Enter the Transfer Mode (SFTP/FTP): FTP

Installing on host cmmn-pri
TransferMethod FTP
Sharing volume /opt/cisco/vnm via NFS
found share -F nfs -o ro -d "VNM CDROM" /opt/cisco/vnm
MOUNTPOINT-----/opt
Restarting NFS...
Done.
Logging on to cmmn-pri as root
Please enter the root password on the host cmmn-pri: Password: *****

```

This is the password to login to the CMNM host machine.

```

Installing on host cmmn-pri
TransferMethod FTP
Sharing volume /opt/cisco/vnm via NFS
found share -F nfs -o ro -d "VNM CDROM" /opt/cisco/vnm
MOUNTPOINT-----/opt
Restarting NFS...
Done.
Logging on to cmmn-pri as root
Please enter the root password on the host cmmn-pri: Password:
mount 172.19.49.18:/opt/cisco/vnm /tmp/mcg

cd /tmp/mcg

Spawning /usr/openwin/bin/xterm -display 171.71.150.111:0.0 -e ./vcginstallPTC FTP
ptc-tme on the remote host.

```

The VCG Installation process is launched in an Xterm window. This is a window from the CMNM host machine.

**Step 10** In this window choose Option **1** to install VCG Client and Server:

```

*****
*       This script installs/Uninstalls Voice Corba Gateway       *
*****

1>      Install VCG Server and Client

2>      Install VCG Client

3>      Uninstall VCG Server and Client

```

```
4>      Uninstall VCG Client

q>      Quit

Choose an option: 1
```

The MCG Server and Client installation process starts.

**Step 11** Press **Enter** to choose the default installation location.

**Step 12** If you entered **SFTP** in [Step 9](#), you are prompted with the following message:

```
“The authenticity of host <ipaddress of the host machine> cannot be established. Client machine is
<mac address of the client>. Are you sure you want to continue connecting (yes/no)?”
```

**Step 13** Enter **yes**.

The following message appears:

```
Warning: Permanently added <172.19.49.2> (RSA) to the list of known hosts.
```

**Step 14** When prompted, enter the **root** password of the VCG host machine.

**Step 15** When prompted with the `sftp>` prompt, type **quit**.

**Step 16** Choose **q** to quit the **xterm** process.

**Step 17** Enter the **root** password for the remote CMNM machine.

**Step 18** Press **Enter** to continue.

**Step 19** Choose Option number **7** to quit the VCG installation.

The installation of VCG is now complete.

**Step 20** To verify the installation of VCG was successful, verify that the **ObjectAccess** and **McgNotifyServer** processes are running on the CMNM machine:

```
cmnm-tme# ps -ef | grep ObjectAccess
```

```
root 7376 6392 0 Jul 16? 0:11 /opt/cemf/VCG/bin/ObjectAccess
```

```
cmnm-tme# ps -ef | grep McgNotifyServer
```

```
root 7378 6392 0 Jul 16? 0:46 /opt/cemf/VCG/bin/McgNotifyServer
```

If these processes are running, the installation of VCG was successful. You must now install the required Cisco PTC patches.

---

## Cisco PTC Patch Information

This section identifies and describes how to install the Cisco PTC 2.1.1 patches you must install after the Cisco PTC product and component software have been installed.

*Table 2-5 Cisco PTC 2.1.1 Patches*

Patch Number	Patch File Name
1	<b>02_01_18_01.tar</b>
2	<b>02_01_18_02.tar</b>
4	<b>02_01_18_04.tar</b>

You can access the Cisco PTC 2.1.1 patches at the following location:

<http://www.cisco.com/cgi-bin/tablebuild.pl/cptc>.

Read the **README.txt** file for detailed instructions on how to install the Cisco PTC 2.1.1 patches. You must install all of the Cisco PTC patches listed in [Table 2-5](#). Upon completion, you must ensure that the CMNM application is synchronized with the SC2200. Go to the “[Synchronizing CMNM with the SC2200](#)” section.

## Synchronizing CMNM with the SC2200

This section describes the steps you are required to perform to ensure the CMNM application is synchronized with the SC2200 prior to performing a Cisco PTC Cold Start.

- 
- Step 1** Start the CEMF Launchpad on the CMNM host as you did in section 4.6.8 and log in (user **admin**, password **admin**).

```
cmnm-pri# setenv DISPLAY 171.71.150.111:0.0
cmnm-pri# cd /opt/cemf
cmnm-pri# bin/cemf session &
[1] 19680
Starting CEMF Manager Applications.
ILOG Views 3.0.2, Copyright (C) 1990-1998 by ILOG.
ILOG TGO 1.0.3, Copyright (C) 1997-1998 by ILOG.
```

- Step 2** Click the **Viewer** icon in the CEMF Launchpad window.
- Step 3** Click the **MGC-Node-View** node object in the **Tree View** pane in the Map Viewer window.
- Step 4** Right-click on the **MGC Node** menu, then choose the **MGC Node States** option.
- Step 5** Click on the **Rediscover** button in the **States** pane in the MGC Node States window.
- Step 6** Click **yes** to confirm.

Synchronization between the CMNM and the SC2200 is complete. You should now start the Cisco PTC servers.

---

## System Startup

This section describes how to start the Cisco CNS Security and Cisco CNS Integration Bus processes and then perform a Cisco PTC Cold Start. A Cisco PTC Cold Start does the following:

- creates and initializes the Cisco PTC database
- loads the data types and meta information
- starts the **orbixd** daemon, the Event Distributor, and the ACT Server
- starts the Cisco PTC Provisioning, Topology, Northbound API, Synchronization Manager, and Auto discovery Servers
- uploads the running configurations of the devices found in the Cisco PTC Network Information Seed File (NISF), parses them, and then populates the Cisco PTC database. The NCSF provides to Cisco PTC, a list of the network elements and their properties that are to be managed by Cisco PTC.
- starts the Cisco VRC application if it is installed and the **vnm --coldstart --INTEGRATED** command is executed.

**Step 1** Log into the Cisco PTC host, as user **vnm**, with an Xwindow terminal and start the Cisco CNS Security Server process:

```
ptc-tme# su - vnm
Sun Microsystems Inc.   SunOS 5.8       Generic Patch   October 2001
Path and environment for DC Directory set up
ptc-tme% dcdstart
Starting DC Directory Server...
DC Directory Server initializing ...
DC Directory Server initialized
```



**Note** Upon starting the Cisco CNS Security Server process, error messages containing “seminfo\_semmin is not defined in the semsys” and “seminfo\_semune is not defined in the semsys” may be output. These error messages are not serious and can be ignored.

**Step 2** Verify the Cisco CNS Security process is running:

```
ptc-tme% ps -ef | grep dcx500
root 2165      1  2 15:52:53 pts/3    0:09
/opt/cisco/vnm/common/dcdsrvr/bin/dcx500
```

**Step 3** If it isn't running (the **dcx500** daemon was not found), go back and restart the DCD server.

**Step 4** Start the Cisco CNS Integration Bus process:

```
ptc-tme% startCnsBus
Starting CNS INTEGRATION BUS

TIB/Rendezvous daemon
Copyright 1994-2000 by TIBCO Software Inc.
All rights reserved.
```

```
Version 6.4.8
CNS INTEGRATION BUS is up
```



**Note** If the Cisco CNS IE2100 appliance and the Cisco PTC Server machine are in different subnets, you must configure the Cisco CNS Integration Bus and Cisco CNS IE2100 appliance as described in the “[Post Installation Configuration](#)” section, prior to performing the following steps.

**Step 5** Verify the Cisco CNS Integration Bus is running:

```
ptc-tme% ps -ef | grep rvrld
      vnm  2186      1  0 15:55:27 ?          0:00
/opt/cisco/vnm/common/tibrv/bin/rvrld -store
/opt/cisco/vnm/common/tibrv/bin/rvr
```

**Step 6** If it isn't running (the **rvrld** daemon was not found), go back to the last step and start it again.

Starting the Cisco PTC Server Processes

**Step 7** Go to the `/opt/cisco/vnm/topodisc` directory:

```
ptc-tme% cd /opt/cisco/vnm/topodisc
```

**Step 8** Add the network devices to the Cisco PTC Network Information Seed File (NISF) through the Cisco PTC Seed File Editor.

Refer to the “Cisco PTC Network Information Seed File” appendix in the *Cisco Packet Telephony Center User Guide* for a detailed description of how to add the network devices to the NISF through the Cisco PTC Seed File Editor.

**Step 9** Go to the `/opt/cisco/vnm/topology` directory and edit the **LocalStrings.properties** file as follows:

- a. If you plan on connecting from the Cisco PTC Server machine to the machine where the Carrier Sensitive Router (CSR) application is running, you must ensure the `props.naboo_prompt` variable is set to the default prompt that is used by the machine where CSR is running (the prompt you receive when you log in to the CSR machine).
- b. If you plan on connecting from the Cisco PTC Server machine to the machine where the Cisco Info Center (CIC) application is running, you must ensure the `props.cic_prompt` variable is set to the default prompt that is used by the machine where CIC is running (the prompt you receive when you log in to the CIC machine):

```
ptc-tme% pwd
/opt/cisco/vnm/topology
ptc-tme% ls
LocalStrings.properties  images                topology.dtd
topology.xml
WEB-INF                  resources             topology.jar
topoview.html
```



**Step 10** Edit the **LocalStrings.properties** file:**ptc-tme% vi LocalStrings.properties**

```
props.baseurl=http://172.19.49.18:8080/topology/servlet/  
props.rmiserverhostname=172.19.49.18  
props.codebaseurl=http://172.19.49.18:8080/lib  
props.provsvrhost=172.19.49.18  
props.actualinstallationdir=/opt/vnm  
props.uploadedfilesdir=/opt/cisco/vnm/topodisc/uploadedfiles  
props.seedfilelocation=/opt/cisco/vnm/topodisc/seedfile.txt  
props.majserver=http://majewski-u10:8080/layout/servlet/LayoutServer  
props.seedfilename=seedfile.txt  
props.imagebase=http://172.19.49.18:8080/topology/images/vnm/Topology  
props.discoverydir=/opt/vnm/topodisc  
props.apppath=/opt/vnm/topology/resources  
props.gdpurl=http://172.19.49.18:8080/VRC/  
props.discoverbts=false  
props.vspt_user=vnm  
props.cmm_user=vnm  
props.cisview_user=vnm  
props.cic_user=root  
props.cic_prompt=trapman#  
props.naboo_user=ciscocsr  
props.naboo_prompt=csr-tme%  
props.sysadmin_user=vnm  
props.sysadmin_prompt=%  
props.smsservername=:SMTTest  
props.httpport=8080  
props.pinginterval=3000  
props.sessiontimeout=-1  
props.warnbefore=60  
props.dointervalbasedresync=false  
props.resyncstarttime=23:30  
props.resyncinterval=24  
props.rdbms=sybase  
props.dbhost=localhost  
props.dbsharedcon=1  
props.dbpooledcon=0  
props.dbname=PTC  
props.dbuser=dba  
props.dbpassword=sql  
props.dbinformixserver=  
props.dbport=49152  
props.metaxmlfile=/opt/cisco/vnm/lib/vnm.xml  
props.softwareVersion=Cisco Packet Telephony Center 2.1.1
```

**Step 11** Go to the `/opt/cisco/vnm` directory:

```
ptc-tme% cd /opt/cisco/vnm
```

Perform a Cisco PTC Cold Start:




---

**Note** Cisco PTC can be started in either Standalone (the default) or Integrated mode. In Standalone mode, only Cisco PTC Server processes are started. In Integrated mode, Cisco PTC Server and Cisco VRC processes are started.

---

**Step 12** Wait until the “Start Operation is Complete” and “Cisco PTC is Up” messages appear.

**Step 13** Upon seeing the above messages, the Cisco PTC server processes are started. Proceed to the “[Post Installation Configuration](#)” section for details about the configuration steps you must now perform.

---

## Post Installation Configuration

This section describes the Cisco CNS Integration Bus and Cisco CNS IE2100 appliance configuration procedures you must follow upon successful installation of the Cisco PTC product.




---

**Note** In order for the Cisco PTC Provisioning Manager to function properly, you must set the Enter the NSM Directives parameter value to **default://**, as opposed to its default value (**http://**), on all Cisco CNS IE2100 appliances that are part of the Cisco PTC network. You set this parameter by running the **setup** command when you add a new Cisco CNS IE2100 appliance to the network.

---




---

**Note** When the Cisco CNS IE2100 appliance and the machine you installed Cisco PTC on are located in the same subnet, you need not configure the Cisco CNS Integration Bus or Cisco CNS IE2100 appliance. Go to the “[Configuring the Cisco PTC Client](#)” section for detailed information. If, however, they are in different subnets, you must perform the steps described in the “Configuring the Cisco CNS Integration Bus” and “Configuring the Cisco IE2100 Appliance” sections in the *Cisco Packet Telephony Center Installation and Configuration Guide*.

---

## Configuring the Cisco PTC Client

This section describes how to configure the Cisco PTC Windows based Client machine after having successfully installed, configured, and started the Cisco PTC Server processes. This section also describes the changes you must make to the Java security policy file prior to launching the Cisco PTC Client on a Windows-based PC.

**Step 1** Go to the Java security directory:

```
C:\Program Files\JavaSoft\JRE\1.3.1_0\lib\security
```

**Step 2** Create a backup copy (**java.policy.bak**) of the **java.policy** file.

**Step 3** Open the **java.policy** file and replace the contents of the **java.policy** file with the following lines:

```
// Standard extensions get all permissions by default

grant {

    permission java.security.AllPermission;

};
```

**Step 4** Save the modified **java.policy** file, then exit the text editor.

**Step 5** Open a web browser of your choice.

**Step 6** Go to the “Starting the Cisco PTC Client GUI” section in the *Cisco Packet Telephony Center User Guide* for detailed information about how to start and use the Cisco PTC Client.

---

## Implementation and Testing

Once all of the applications are started, you must deploy the network devices in your network. This can be done manually or through the use of a seed file, which contains the access and SNMP passwords of the devices, as well as their place in the network and other values. Once the devices are deployed, you can make changes, additions, and deletions to the network.

Refer to the various User Guides for information on how to access and configure the Cisco PTC, Cisco VRC, VSPT, and CMNM.

## Related Documents

This section provides links to the various product documentation referenced through this chapter.

- Cisco Packet Telephony Center White Paper:  
[http://www.cisco.com/warp/public/cc/pd/nemnsw/pctlcrsw/prodlit/ptccr\\_wp.htm](http://www.cisco.com/warp/public/cc/pd/nemnsw/pctlcrsw/prodlit/ptccr_wp.htm)
- Cisco Packet Telephony Center documentation, version 2.1.1:  
[http://www.cisco.com/univercd/cc/td/doc/product/rtrmgmt/ptc/2\\_1\\_1/index.htm](http://www.cisco.com/univercd/cc/td/doc/product/rtrmgmt/ptc/2_1_1/index.htm)
- Cisco Packet Telephony Center product literature:  
<http://www.cisco.com/warp/public/cc/pd/nemnsw/pctlcrsw/prodlit/index.shtml>
- Cisco Voice Routing Center, version 1.1:  
[http://www.cisco.com/univercd/cc/td/doc/product/rtrmgmt/vrc/vrc1\\_1/index.htm](http://www.cisco.com/univercd/cc/td/doc/product/rtrmgmt/vrc/vrc1_1/index.htm)
- Voice Services Provisioning Tool, version 2.1 User Guide:  
<http://www.cisco.com/univercd/cc/td/doc/product/access/sc/reI9/dart21/index.htm>
- Cisco MGC Node Manager User's Guide:  
<http://www.cisco.com/univercd/cc/td/doc/product/access/sc/reI9/cmnm21/index.htm>
- Cisco CNS Intelligence Engine IE2100 Series, version 1.2  
[http://www.cisco.com/univercd/cc/td/doc/product/rtrmgmt/ie2100/cnfg\\_reg/rel\\_1\\_2/index.htm](http://www.cisco.com/univercd/cc/td/doc/product/rtrmgmt/ie2100/cnfg_reg/rel_1_2/index.htm).



## Free Manuals Download Website

<http://myh66.com>

<http://usermanuals.us>

<http://www.somanuals.com>

<http://www.4manuals.cc>

<http://www.manual-lib.com>

<http://www.404manual.com>

<http://www.luxmanual.com>

<http://aubethermostatmanual.com>

Golf course search by state

<http://golfingnear.com>

Email search by domain

<http://emailbydomain.com>

Auto manuals search

<http://auto.somanuals.com>

TV manuals search

<http://tv.somanuals.com>