

Installation and Integrator's Guide

SMART Mobile Stand
for Interactive Displays
Models FSSBID 100
and FSSBID 100H

Extraordinary made simple™

SMART™

Product Registration

If you register your SMART product, we'll notify you of new features and software upgrades.

Register online at www.smarttech.com/registration.

Keep the following information available in case you need to contact SMART Technical Support.

Serial Number: _____

Date of Purchase: _____

Trademark Notice

SMART Board, smarttech, Senteo and the SMART logo are trademarks or registered trademarks of SMART Technologies ULC in the U.S. and/or other countries. Phillips is a registered trademark of Phillips Screw Company. TORX is a registered trademark of Acument Intellectual Properties, LLC in the United States or other countries. All other third-party product and company names may be trademarks of their respective owners.

Copyright Notice

©2009 SMART Technologies ULC. All rights reserved. No part of this publication may be reproduced, transmitted, transcribed, stored in a retrieval system or translated into any language in any form by any means without the prior written consent of SMART Technologies ULC. Information in this manual is subject to change without notice and does not represent a commitment on the part of SMART.

Patent No. US5448263; US6141000; US6320597; US6326954; US6337681; US6741267; US6747636; US6803906; US6919880; US6947032; US6954197; US6972401; US7151533; US7184030; US7236162; US7289113; US7411575; CA2058219; CA2252302; CA2386094; CA2453873; EP1297488; ES2279823; ZL0181236.0; and DE60124549.
Other patents pending.

07/2009

Important Information

Before you install and use your SMART Mobile Stand, read and understand the safety warnings and precautions in this user's guide and the included warnings document. These safety warnings and precautions describe the safe and correct operation of your SMART Mobile Stand and its accessories, helping you prevent injuries and equipment damage.

Safety Warnings and Cautions

WARNING

- Failure to follow the installation instructions included with your SMART Mobile Stand for interactive displays could result in personal injury or product damage.
- Make sure that you properly engage and secure the vertical brackets both to your flat-panel display and to your SMART Mobile Stand.
- Read the safety warnings, precautions and other important information contained in the documentation included with your other SMART products and published by your flat-panel display's manufacturer.
- Two people are required to safely assemble your SMART Mobile Stand and to mount or remove your flat-panel display and your SMART Board™ interactive display frame or SMART Board *for Flat-Panel Displays* interactive overlay.
- Lock the casters before installing or working with your flat-panel display on your SMART Mobile Stand, or adjusting its height.
- To prevent injury, be aware of crush and pinch locations on the product (marked with the crush symbol) during assembly and use.
- Do not rest your hand on the stand's universal mount or under the interactive product's pen tray or pencil ledge while adjusting the height of your SMART Mobile Stand.



- Use the SMART Mobile Stand's three grab bars to move the unit. Do not press, pull or push on the flat-panel display, interactive overlay or display frame, cabinet, doors, rear access panel plastics or vertical brackets.
- Before moving your SMART Mobile Stand, make sure that you unlock the casters. These casters are designed to roll on common indoor surfaces. While you move the unit, your view may be partially obstructed. Be aware of surrounding obstacles.
- Do not move your SMART Mobile Stand while external cables are connected or when the power is on.
- You must connect the USB cable that came with your SMART Mobile Stand to a computer that has a USB 2.0 compliant interface and that bears the USB logo. In addition, the USB source computer must be compliant with CSA/UL/EN 60950 and bear the CE mark and CSA and/or UL Mark(s) for CAS/UL 60950. This is for operating safety.
- Ensure that any cables extending across the floor to your SMART Mobile Stand are properly bundled and marked to prevent a tripping hazard.
- Do not stand (or allow children to stand) on a chair to touch the surface of your flat-panel display. Instead, rotate your SMART Mobile Stand's height-adjustment handle to lower your display to the appropriate height.
- Do not climb or ride (or allow children to climb or ride) on your SMART Mobile Stand. Climbing or riding on your SMART Mobile Stand could result in personal injury or product damage.
- (For European customers only)

Your SMART Mobile Stand should be used only with European TN and TT power distribution systems.

It is not suitable for older, IT-type power distribution systems found in some European countries. "This system (IT-type) is widely used isolated from earth, in some installations in France, with impedance to earth, at 230/400V, and in Norway, with voltage limiter, neutral not distributed, at 230V line-to-line." (IEC 60950:1999)

Contact qualified personnel if you are uncertain about the type of power system available where you are installing your SMART Mobile Stand.

- To reduce the risk of fire or electric shock, do not expose your SMART Mobile Stand to rain or moisture.
- Your SMART Mobile Stand is designed to operate with a maximum power consumption of 1200 W. Exceeding this consumption could result in fire, personal injury or death.

▲ CAUTION

- Make sure that the weight of your flat-panel display is minimum 80 lb. (36.3 kg) and maximum 160 lb. (72.6 kg). For a list of flat-panel displays supported by your SMART Mobile Stand, see <http://www2.smarttech.com/st/en-US/Support/FlatPanel/MobileStandPanels>.
- To prevent damage to a 60" (152.4 cm) or larger flat-panel display when it is installed with a SMART Board *for Flat-Panel Displays* interactive overlay, make sure that you install the included clevis pin as instructed in this guide (see pag 13).
- To prevent damage to your power and extender cables, secure them to your mobile floor stand as instructed in the *SMART Mobile Stand for Interactive Displays Textless Installation Instructions* ([document 132293](#) at www.smarttech.com/support).
- To prevent crushing additional product cables between your flat-panel display and the SMART Mobile Stand's speaker panel, follow the path of the installed cable harness.
- Do not suspend additional objects from, or add any extra weight or excessive pressure to, your SMART Mobile Stand's brackets (other than the products indicated in this guide). SMART designed these brackets to support only the combined weight of a flat-panel display, interactive overlay or display frame, laptop computer and optional laptop shelf, during normal use. Any other weight hung from these brackets may cause the stand to tip.
- If you install additional audio or video cables other than those provided with your SMART Mobile Stand, SMART Board interactive display frame, SMART Board *for Flat-Panel Displays* interactive overlay, or as part of an adapter kit, SMART assumes no responsibility and you are solely responsible for any damage incurred to your SMART Mobile Stand, its cabling or other devices.
- Your SMART Mobile Stand is designed for standard ramp access. At least two people are required to move your unit up or down a ramp. Moving your unit up or down a ramp with a steep incline may cause your SMART Mobile Stand to tip.
- Never operate your SMART Mobile Stand immediately after moving it from a cold location to a warm location. Allow the unit to reach room temperature before operation to prevent possible product damage. The operating temperature range is from 41°F to 86°F (5°C to 30°C) with up to 80% relative humidity, non-condensing. The shipping and storage temperature range is from -40°F to 140°F (-40°C to 60°C).
- Do not place your SMART Mobile Stand in hot locations, such as near heating equipment.

- Do not block the ventilation slots and openings on your SMART Mobile Stand. Blocking these openings could cause overheating and damage to the unit.
- When transporting your unit, repack it with as much of the original packaging as possible. This packaging was designed with optimal shock and vibration protection.
- Do not allow liquids, spray cleaners or commercial solvents of any kind to flow into the connection panel.
- Do not attempt to service your SMART Mobile Stand. Only an authorized service provider should service your SMART Mobile Stand.
- If your wired keyboard, mouse or other USB device is damaged while it is attached to your SMART Mobile Stand, SMART assumes no responsibility and you are solely responsible for this damage.

Other Precautions

If you own a SMART product other than your SMART Mobile Stand for interactive displays, refer to the other product's documentation for relevant safety warnings and maintenance instructions.

To ensure operating safety and to prevent product damage, observe the following precautions:

- Do not set up or use your SMART Mobile Stand in an area with excessive levels of dust, dirt, humidity or smoke.
- Disconnect your SMART Mobile Stand's power plug from the power outlet before cleaning the unit or if you won't be using it for a long period of time.
- Use a soft cloth moistened with a mild detergent to clean the unit's housing.
- If your SMART Mobile Stand requires replacement parts, make sure that the service technician uses replacement parts specified by SMART Technologies.

Contents

Important Information	i
Safety Warnings and Cautions	i
Other Precautions.....	iv
About Your SMART Mobile Stand	1
SMART Mobile Stand Features	2
Power Specifications	7
Hardware and Internet Connection Requirements	7
Determining Your Model of SMART Mobile Stand	7
Optional Accessories	8
Standard Replaceable Parts.....	8
Assembling Your SMART Mobile Stand	9
Environmental Requirements	10
Things to Consider When Assembling Your SMART Mobile Stand	11
Installing Your Flat-Panel Display on Your SMART Mobile Stand.....	12
Adjusting the Shelves	14
Model FSSBID 100: Connecting Devices Inside Your SMART Mobile Stand's Cabinet	17
Connecting Your Flat-Panel Display.....	18
Connecting Your Computer	21
Connecting Your SMART Hub PE260.....	23
Connecting a DVD/Blu-ray Player or VCR.....	25
Connecting Your SMART Board interactive display frame	28
Connecting Your SMART Board for Flat-Panel Displays Interactive Overlay.....	32

Model FSSBID 100H: Connecting Devices Inside Your SMART Mobile Stand's Cabinet	37
Installing Your SMART Hub SE240	38
Connecting Your Flat-Panel Display	41
Connecting Your SMART Hub SE240	43
Connecting Your Computer	46
Connecting a DVD/Blu-ray Player or VCR.....	48
Connecting Your SMART Board interactive display frame	50
Connecting Your SMART Board for Flat-Panel Displays Interactive Overlay.....	55
 Completing Your Installation and Connecting Other Products to Your SMART Mobile Stand	57
Installing the Rear Access Panels on Your SMART Mobile Stand	58
The Connection Panel	59
Connecting a Guest Laptop Computer	61
Connecting Your SMART Document Camera	63
Connecting Your SMART Response (formerly Senteo) Interactive Response System Receiver.....	64
Connecting Other USB Devices	66
 Maintaining Your SMART Mobile Stand	67
Cleaning and Preventing Damage to Your SMART Mobile Stand.....	67
Moving Your SMART Mobile Stand	68
Transporting Your SMART Mobile Stand	68
Contacting SMART Technical Support	68
 A Configuring a Rack Mount.....	69
 B SMART Mobile Stand Running Diagrams	75
 C Hardware Environmental Compliance.....	85
Waste Electrical and Electronic Equipment Regulations (WEEE Directive) .	85
Restriction of Certain Hazardous Substances (RoHS Directive)	85
Packaging	85

Covered Electronics Devices.....	86
China’s Electronic Information Products Regulations.....	86
U.S. Consumer Product Safety Improvement Act	86
D Customer Support.....	87
Online Information and Support.....	87
Training.....	87
Technical Support.....	87
Shipping and Repair Status	87
General Inquiries	88
Warranty	88
Registration.....	88
Index	89

About Your SMART Mobile Stand

Your SMART Mobile Stand is an easy-to-use, fully integrated, height-adjustable stand that adds mobility to select SMART Board interactive displays measuring 50" to 65" (127 cm to 165.1 cm). For a list of flat-panel displays supported by your SMART Mobile Stand, see <http://www2.smarttech.com/st/en-US/Support/FlatPanel/MobileStandPanels>.

Your SMART Mobile Stand's prewired cable harness includes the necessary cables for you to easily connect your flat-panel display to your audio speakers, computer or SMART Hub, and additional devices, including a DVD/Blu-ray player or VCR.

This chapter describes the features of your SMART Mobile Stand and accessories that you can use with your unit.

- SMART Mobile Stand Features (page 2)
 - Feature Highlights (page 2)
- Power Specifications (page 7)
- Hardware and Internet Connection Requirements (page 7)
 - Computer Hardware (page 7)
 - Local Area Network (LAN) Connection (Optional) (page 7)
- Determining Your Model of SMART Mobile Stand (page 7)
- Optional Accessories (page 8)
 - Optional Laptop Shelf (page 8)
 - Flat-Panel Display Adapter Kit (page 8)
 - SMART Board *for Flat-Panel Displays* Interactive Overlay Adapter Kit (FSSBID 100 Only) (page 8)
 - Rack Mount Hardware Accessory Kit (page 8)
- Standard Replaceable Parts (page 8)

SMART Mobile Stand Features

Your SMART Mobile Stand is easy to move so that you can share the unit with other users, reconfigure your meeting space or classroom, or quickly add interactive and audiovisual features to a room that might otherwise not have them. The height of your mobile floor stand adjusts quickly and smoothly to improve lines of sight and accommodate users of different heights, including users with limited reach.

Feature Highlights

Height Adjustment

Your SMART Mobile Stand features a height adjustment range of 15 3/4" (40 cm).

Easy Mobility

Four swiveling, heavy-duty, non-marking casters roll easily on common indoor surfaces and lock into place so that your stand doesn't move when you use it.

Stable Design

A wide footprint, low-profile base and reinforced steel design provide excellent stability when you're touching or writing on your interactive product.

Security

A durable locking cabinet provides secure storage for audiovisual equipment, including a standard tower computer, and features two vertically adjustable shelves, an optional 19" (48 cm) rack mount configuration and lockable doors to help prevent theft.

Integrated Cable and Power Management

A prewired cable bundle, an internal power bar and a rear connection panel enable you to easily connect peripheral devices, including a guest laptop computer, SMART Hub, SMART Document Camera, SMART Response (formerly Senteo™) interactive response system receiver, DVD/Blu-ray player or VCR, and other USB devices.

Front-Facing Audio

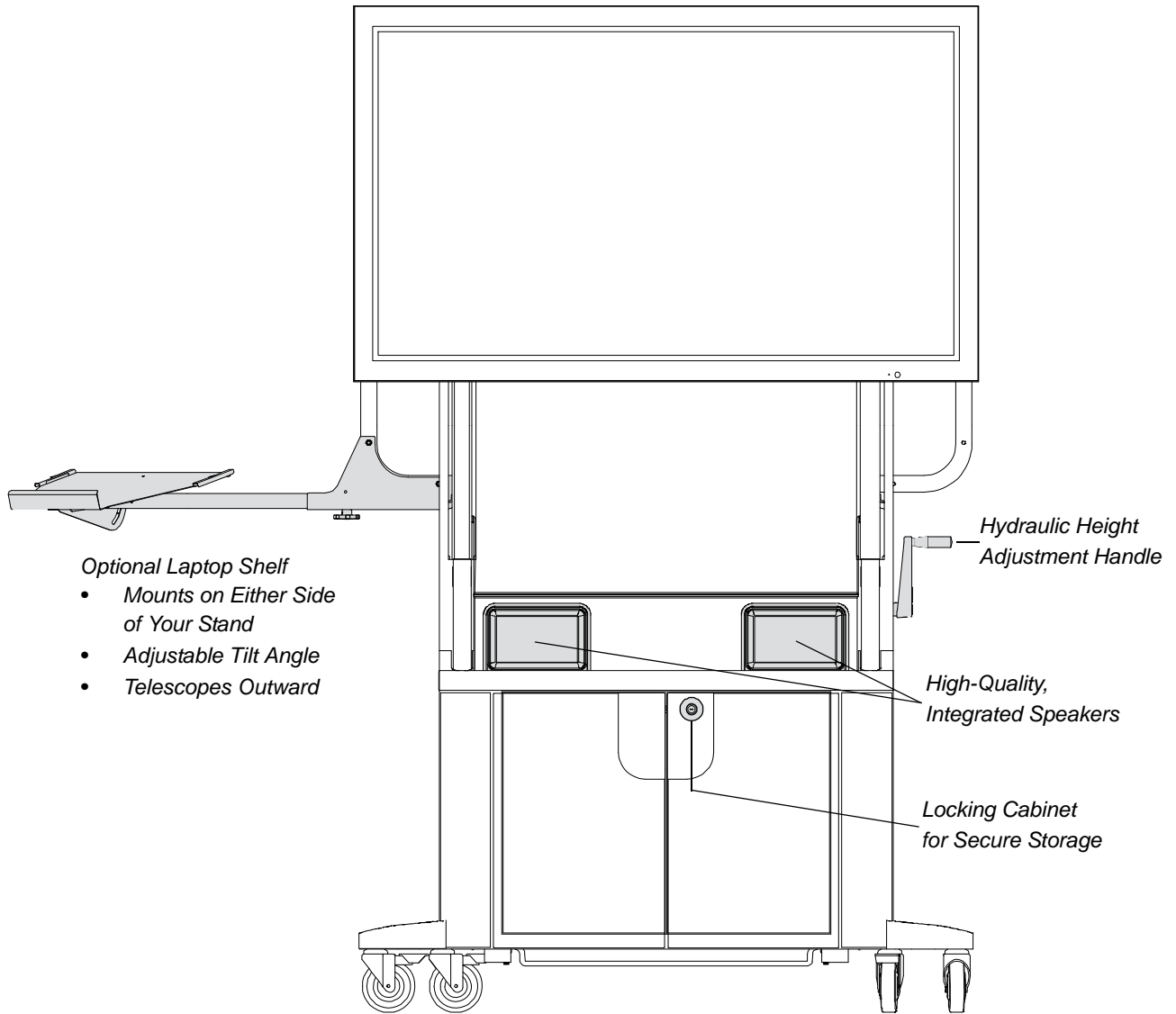
Your SMART Mobile Stand features high-quality, front-facing integrated speakers.

High-Quality Finish

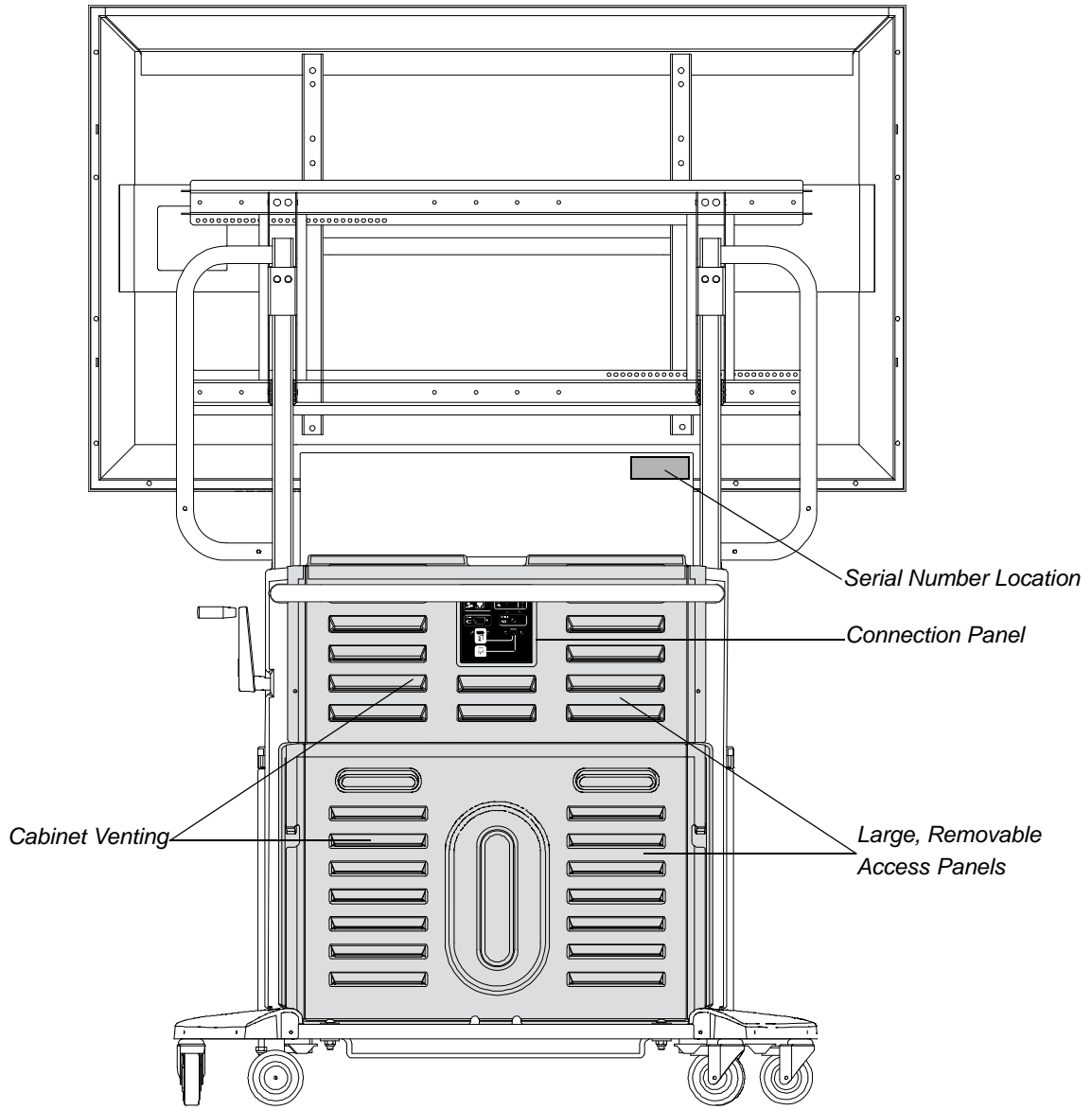
The polished, high-quality finish is dent resistant and easy to clean.

Easy Service Access

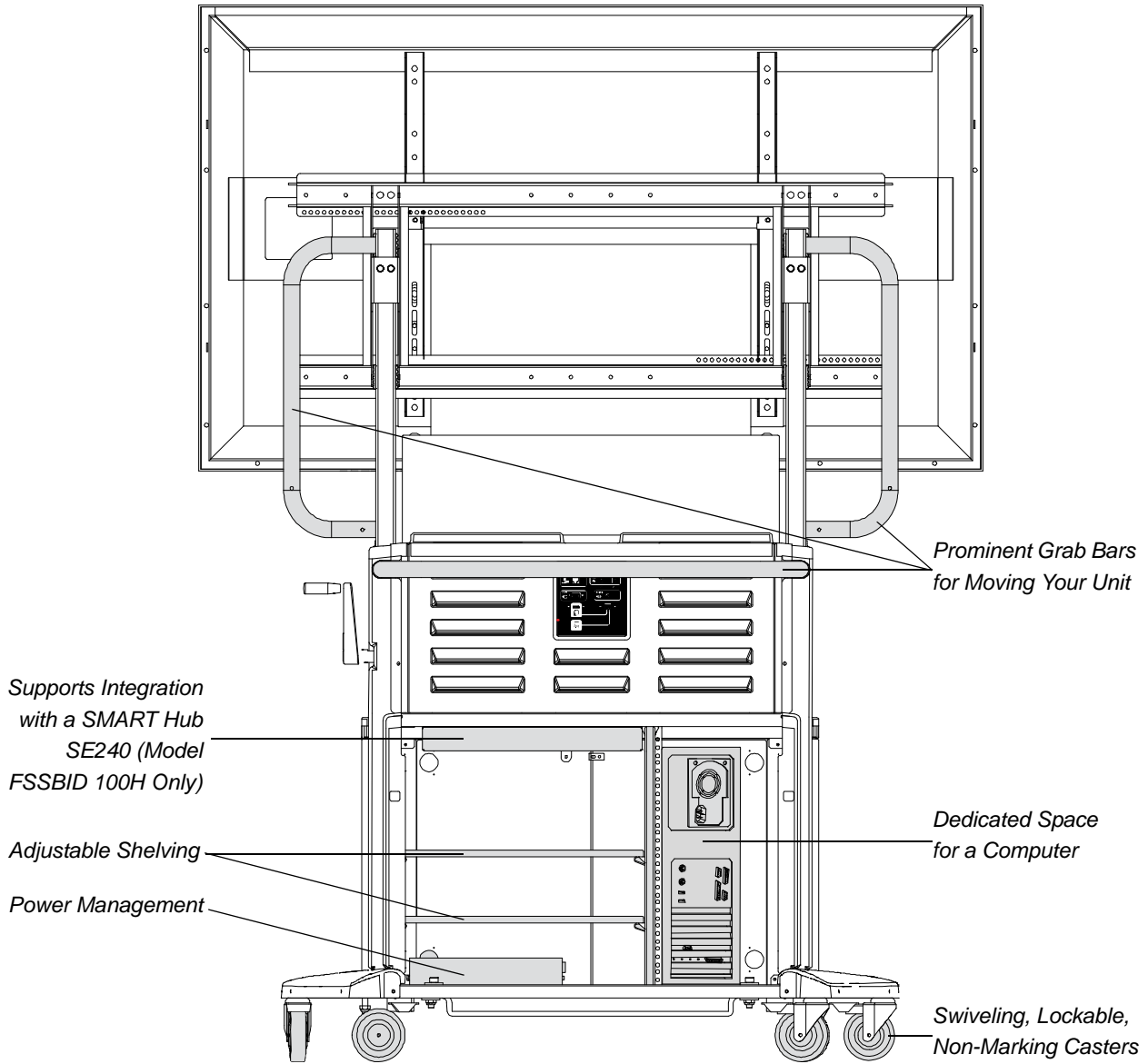
Removable rear maintenance panels provide easy access to peripheral devices for cable installation and power management. These panels are secured with tamper-proof hardware.



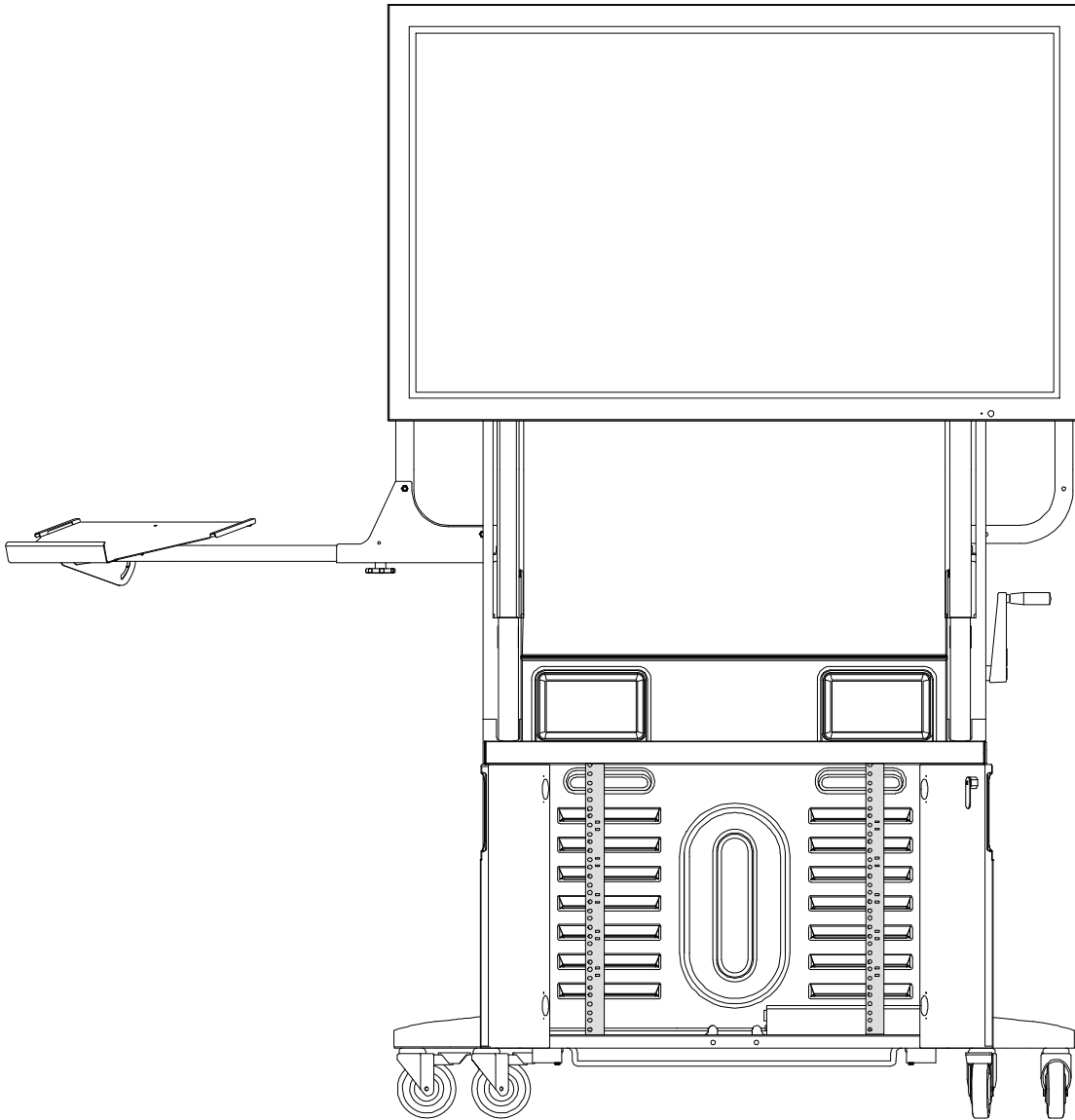
SMART Mobile Stand from the Front



SMART Mobile Stand from the Rear



SMART Mobile Stand from the Rear
(Lower Panel Removed)



*SMART Mobile Stand from the Front with Doors Open
Showing Rack Mount Configuration*

Power Specifications

Your SMART Mobile Stand's user friendly power management design accommodates up to 1.2 kW and includes the following features:

- A country-specific power bar—North America (NEMA) 110V AC or IEC 240V, 50 Hz—which provides power access for additional devices near the bottom rear of your stand
- An 8' (2.44 m) country-specific power cord (international only)
- A country-specific extension cable
- Country-specific power adapters
- A USB 2.0 cable

Hardware and Internet Connection Requirements

Computer Hardware

You need at least three USB receptacles (recommended) on your computer to connect it to your SMART Mobile Stand. If your computer has fewer than three available USB receptacles, you need a USB hub (not included) to connect your computer to your stand.

Local Area Network (LAN) Connection (Optional)

Your SMART Mobile Stand includes a standard RJ45 LAN connection point to connect your computer to your network. You need an external source so that you can access the Internet.

Determining Your Model of SMART Mobile Stand

Your SMART Mobile Stand is either a standard model (FSSBID 100), or one that includes support for a SMART Hub SE240 (FSSBID 100H). You can determine your model of SMART Mobile Stand by referring to its serial number, which is located on the back, right-hand side of your unit's speaker panel, near the top:

- If you have model FSSBID 100, the serial number follows the format FSSBID1-R2-XXXXX, where *X* is any number.
- If you have model FSSBID 100H, the serial number follows the format FSSBID1H-R2-XXXXX, where *X* is any number.

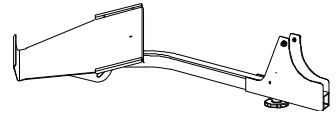
Optional Accessories

Contact your [authorized SMART reseller](#) to order any of the following accessory parts.

Optional Laptop Shelf

You can order a dedicated laptop shelf if you want to connect a laptop computer to your SMART Mobile Stand.

This shelf is designed to mount on either side of your stand, and features an adjustable tilt angle of up to 35 degrees from horizontal. It telescopes outward to accommodate flat-panel displays ranging from 50" (127 cm) to 65" (165.1 cm) in size.



For more information on ordering a laptop shelf for your SMART Mobile Stand, contact your [authorized SMART reseller](#).

Flat-Panel Display Adapter Kits

Some models of flat-panel displays require audio/video adapters, which you can purchase from your [authorized SMART reseller](#). Your reseller can identify the type of adapter required for your flat-panel display.

SMART Board for Flat-Panel Displays Interactive Overlay Adapter Kit (FSSBID 100 Only)



IMPORTANT

If you intend to use a SMART Board for Flat-Panel Displays interactive overlay with your SMART Mobile Stand model FSSBID 100, you must purchase a USB B to USB A adapter **AD09** (Part No. ADP USB AB) from your [authorized SMART reseller](#).

Rack Mount Hardware Accessory Kit

If you want to configure your SMART Mobile Stand for a rack mount, you can purchase a hardware accessory kit from your [authorized SMART reseller](#). This kit includes 16 rack clips so that you can mount up to four peripheral racks.

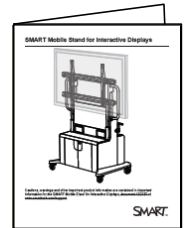
Standard Replaceable Parts

If your SMART Mobile Stand requires replacement parts, make sure that the service technician uses replacement parts specified by SMART Technologies.

To order replacement parts, contact your [authorized SMART reseller](#).

Assembling Your SMART Mobile Stand

Your SMART Mobile Stand requires minimal assembly. Consult the *SMART Mobile Stand for Interactive Displays Textless Installation Instructions* ([document 132293](#) at www.smarttech.com/support) included with your unit for instructions on installing your SMART Mobile Stand.



WARNING

Failure to follow the installation instructions included with your SMART Mobile Stand for Interactive Displays could result in personal injury or product damage.

CAUTION

Make sure that the weight of your flat-panel display is minimum 80 lb. (36.3 kg) and maximum 160 lb. (72.6 kg). For a list of flat-panel displays supported by your SMART Mobile Stand, see <http://www2.smarttech.com/st/en-US/Support/FlatPanel/MobileStandPanels>.

This chapter includes additional information and tips to consider when you install your SMART Mobile Stand. Topics include:

- Environmental Requirements (page 10)
- Things to Consider When Assembling Your SMART Mobile Stand (page 11)
- Installing Your Flat-Panel Display on Your SMART Mobile Stand (page 12)
 - Securing the Clevis Pins When Installing a 60" (152 cm) or Larger Flat-Panel Display (page 13)
- Adjusting the Shelves (page 14)

Environmental Requirements

Before installing your SMART Mobile Stand, refer to the following environmental requirements.

CAUTION

- Never operate your SMART Mobile Stand immediately after moving it from a cold location to a warm location. Allow the unit to reach room temperature before operation to prevent possible product damage.
- Do not place your SMART Mobile Stand in hot locations, such as near heating equipment.
- Do not block the ventilation slots and openings on your SMART Mobile Stand. Blocking these openings could cause overheating and damage to the unit.

Environmental Requirement	Parameter
Operating Temperature	41°F to 86°F (5°C to 30°C)
Storage Temperature	-40°F to 140°F (-40°C to 60°C)
Humidity	5–80% relative humidity, non-condensing
Water and Fluid Resistance	<ul style="list-style-type: none"> • Intended for indoor use • Don't pour or spray liquids directly on the electronic components.
Dust	<ul style="list-style-type: none"> • Moderate dust • Designed for pollution degree 1 (P1) as per EN61558-1, which is defined as "No pollution or only dry non-conductive pollution" • Refer to page 67 for instructions on periodically cleaning your SMART Mobile Stand.
Conducted and Radiated Emissions	EN55022/CISPR 22, Class B
Flammability Rating	<ul style="list-style-type: none"> • Plastics: HB • USB 2.0 cable: UL VW-1/CSA FT4
Quality Assembly	<ul style="list-style-type: none"> • USB cable: IPC/WHMA-A-620 Class 2 workmanship standards for <i>Requirements & Acceptance for Cable & Wire Harness</i>

Things to Consider When Assembling Your SMART Mobile Stand

WARNING

- Two people are required to safely assemble your SMART Mobile Stand and to mount or remove your flat-panel display and your SMART Board interactive display frame or SMART Board *for Flat-Panel Displays* interactive overlay.
- Lock the casters before installing or working with your flat-panel display on your SMART Mobile Stand, or adjusting its height.
- To prevent injury, be aware of crush and pinch locations on the product (marked with the crush symbol) during assembly and use.
- Do not rest your hand on the stand's universal mount or under the interactive product's pen tray or pencil ledge while adjusting the height of your SMART Mobile Stand.
- Use the SMART Mobile Stand's three grab bars to move the unit. Do not press, pull or push on the flat-panel display, interactive overlay or display frame, cabinet, doors, rear access panel plastics or vertical brackets.
- Before moving your SMART Mobile Stand, make sure that you unlock the casters. These casters are designed to roll on common indoor surfaces. While you move the unit, your view may be partially obstructed. Be aware of surrounding obstacles.

CAUTION

To prevent damage to your power and extender cables, secure them to your mobile floor stand as instructed in the *SMART Mobile Stand for Interactive Displays Textless Installation Instructions* ([document 132293](#) at www.smarttech.com/support).

NOTES

- You will require ample work space to assemble your SMART Mobile Stand.
- Do not set up or use your SMART Mobile Stand in an area with excessive levels of dust, dirt, humidity or smoke.
- If you received an IEC power bar with your SMART Mobile Stand and you need to ground this power bar, use a self-tapping screw (not included) to secure its ground wire to the base sheet metal of your stand. Use the small hole located on the right side of the power bar (when viewed from the back) for this purpose.

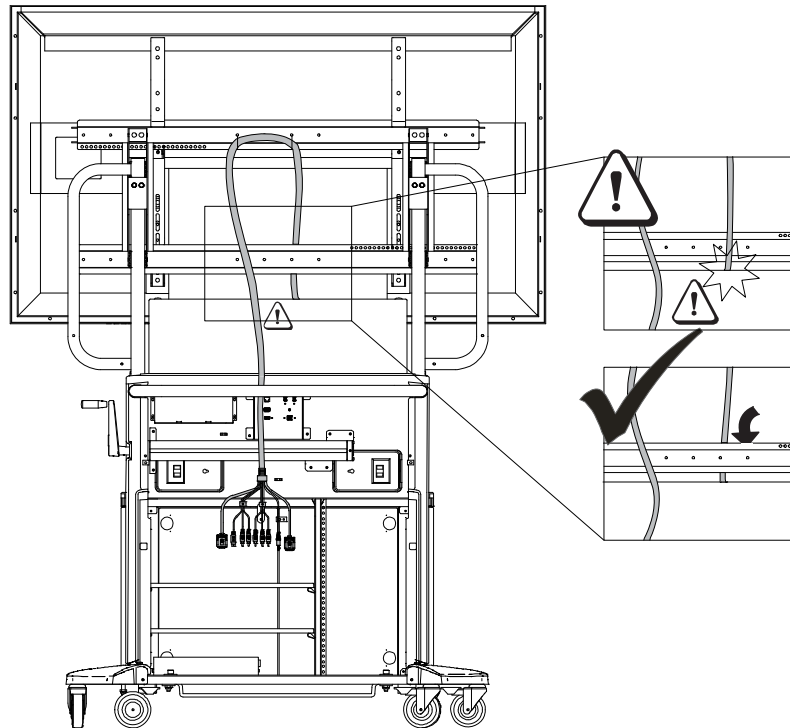
Installing Your Flat-Panel Display on Your SMART Mobile Stand

WARNING

- Read the installation instructions published by your flat-panel display's manufacturer before installing your flat-panel display on your SMART Mobile Stand.
- Make sure that you properly engage and secure the vertical brackets both to your flat-panel display and to your SMART Mobile Stand as instructed in the *SMART Mobile Stand for Interactive Displays Textless Installation Instructions* ([document 132293](#) at www.smarttech.com/support).

CAUTION

To prevent crushing additional product cables between your flat-panel display and the SMART Mobile Stand's speaker panel, follow the path of the installed cable harness.



Securing the Clevis Pins When Installing a 60" (152 cm) or Larger Flat-Panel Display

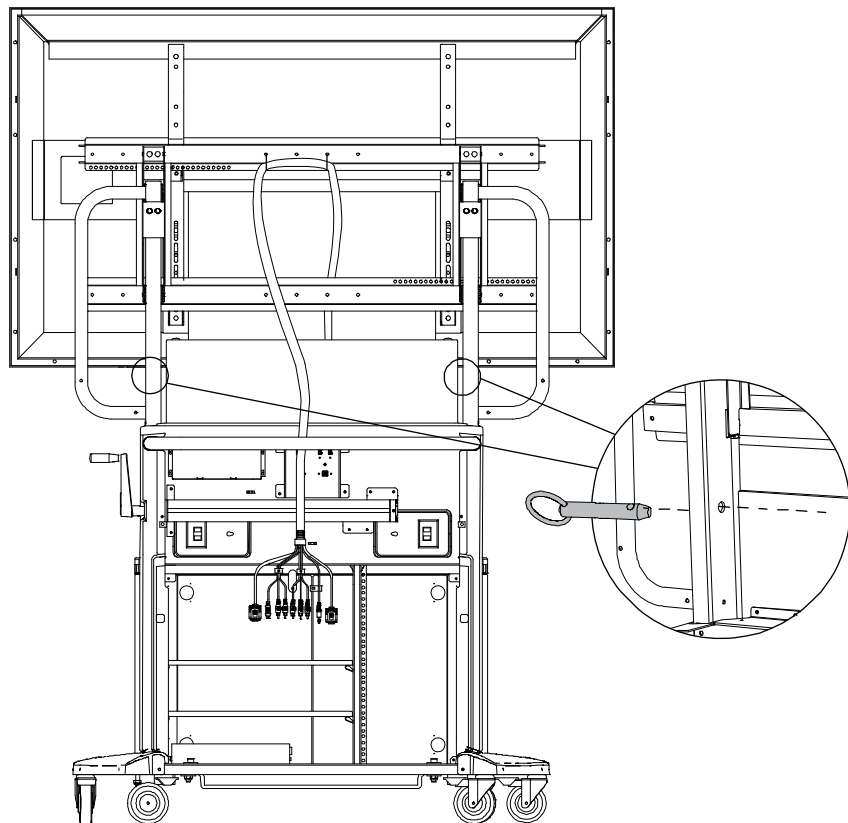
Follow these instructions if you intend to install a SMART Board *for Flat-Panel Displays* interactive overlay with a 60" (152.4 cm) or larger flat-panel display.

CAUTION

To prevent damage to a 60" (152.4 cm) or larger flat-panel display when it is installed with a SMART Board *for Flat-Panel Displays* interactive overlay, make sure that you install the included clevis pin as instructed in this guide.

To secure the two included clevis pins

1. Rotate your SMART Mobile Stand's height-adjustment handle to raise your flat-panel display to its highest position.
2. Insert each of the two included clevis pins as shown in the following illustration, making sure that the clevis pin ring faces outward.



Adjusting the Shelves

Your SMART Mobile Stand includes two vertically adjustable shelves. The spacing of these shelves ranges from 2" to 19" (5.1 cm to 48.3 cm). Consider whether you plan to install a SMART Hub, DVD/Blu-ray player or VCR in your unit when determining the best height for these shelves. Typically, you will install your DVD/Blu-ray player on the top shelf, and then install your VCR on the bottom shelf.

TIP

If you ordered model FSSBID 100H, install your SMART Hub SE240 (see page 38) in your SMART Mobile Stand before you install the shelves. To determine your model of stand, see page 7.

To adjust the shelving in your SMART Mobile Stand

1. If the shelves are already installed in your SMART Mobile Stand, remove them from the cabinet, and then remove the eight shelf clips.

NOTE

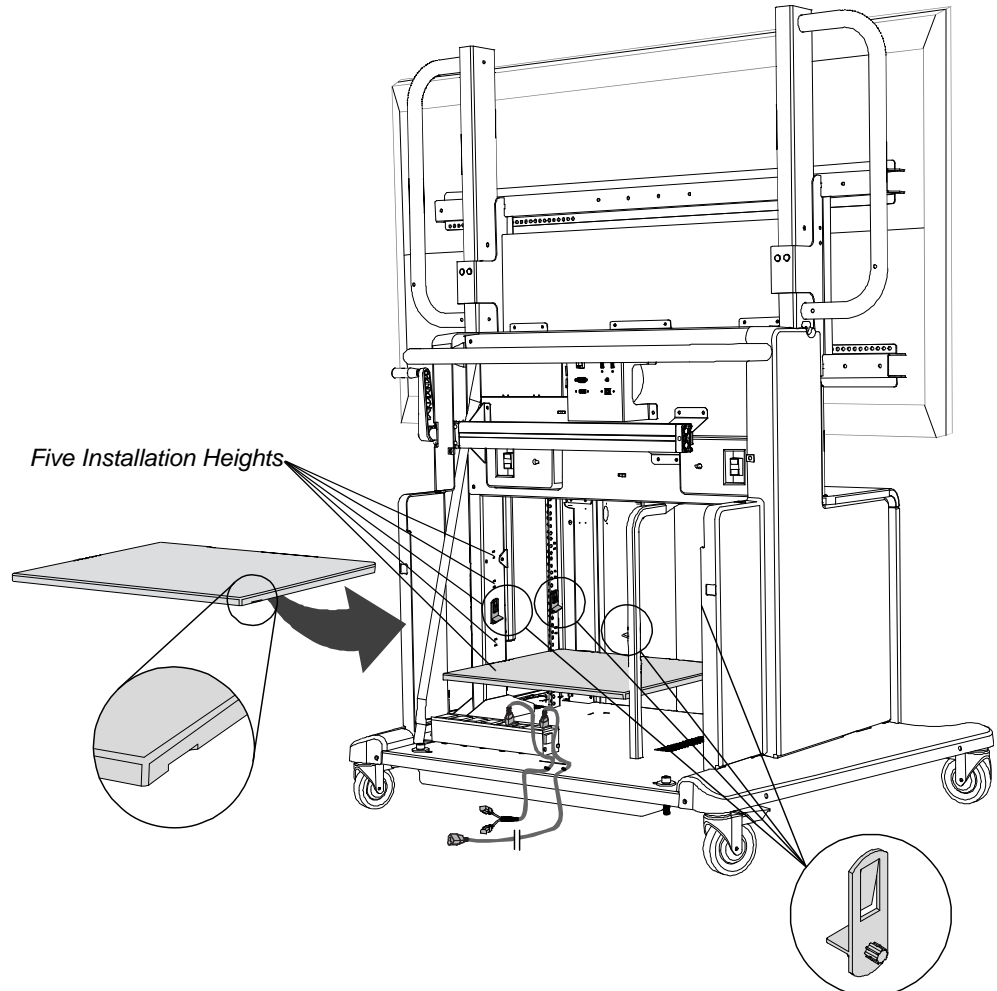
If you need instructions for removing your rear access panels, see steps 1 to 3 in *Appendix A: Configuring a Rack Mount* on page 69 (or the *SMART Mobile Stand for Interactive Displays Textless Installation Instructions* ([document 132293](http://document.132293) at www.smarttech.com/support).

2. Install four of the included shelf clips at the desired height for the first shelf.

IMPORTANT

- These clips secure to the cabinet's left and right front rack rails, rear support tubing and side wall, as shown in the following illustration.
- Ensure that you leave at least 1" (2.5 cm) of space above equipment for cooling.

3. Slide the shelf onto the shelf clips, making sure to position the grooves on the bottom of the shelf so that it snaps in place.
4. Repeat steps 2 and 3 for your second shelf.



Model FSSBID 100: Connecting Devices Inside Your SMART Mobile Stand's Cabinet

This chapter explains how to connect your SMART Mobile Stand FSSBID 100's prewired cable harness to your flat-panel display, computer or SMART Hub PE260, and other devices inside your stand's cabinet. Your stand's cable harness provides centralized cable management with strain relief.



IMPORTANT

Some flat-panel displays require adapter kits, which you can purchase from your [authorized SMART reseller](#).

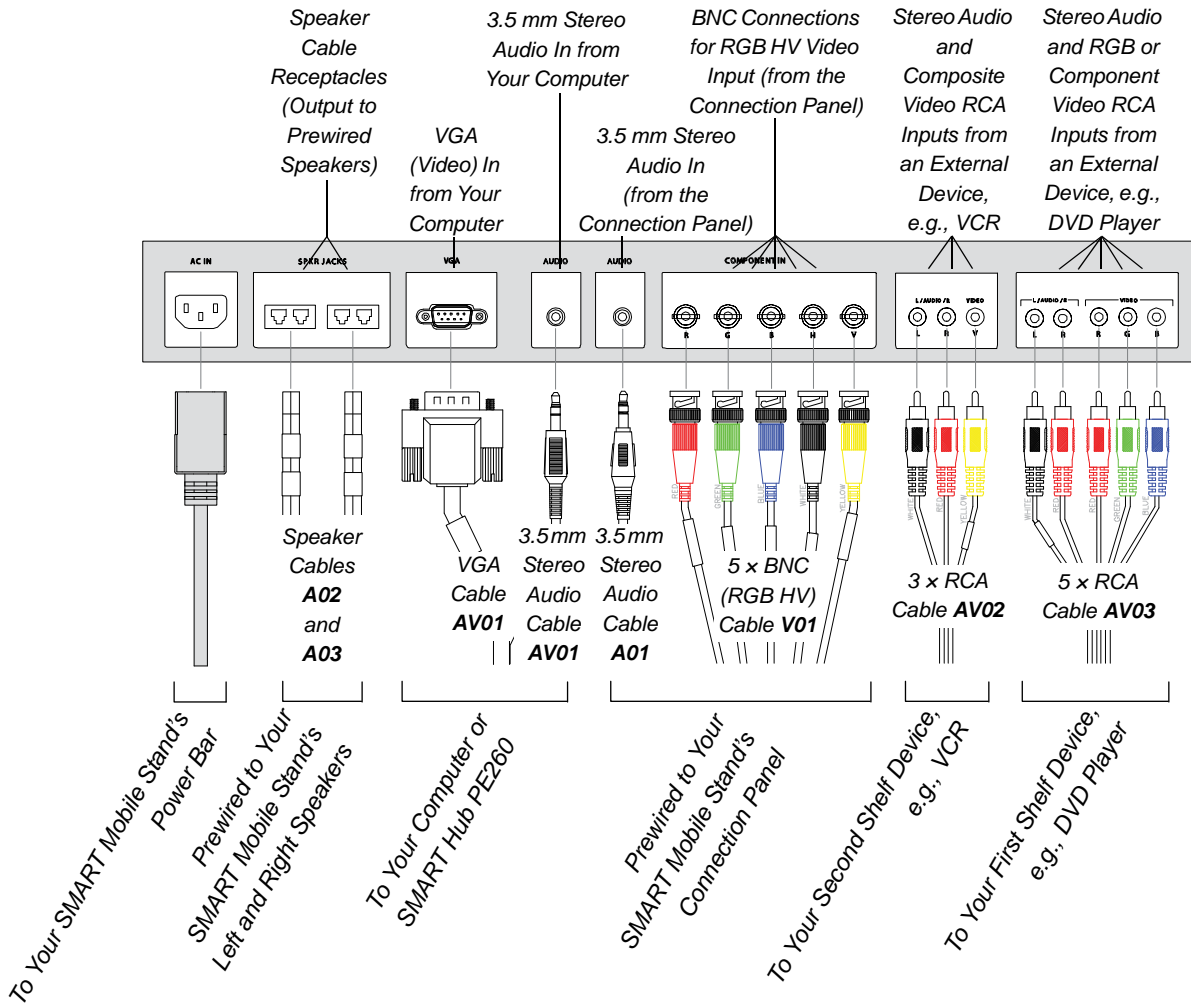
This chapter covers:

- Connecting Your Flat-Panel Display (page 18)
- Connecting Your Computer (page 21)
- Connecting Your SMART Hub PE260 (page 23)
- Connecting a DVD/Blu-ray Player or VCR (page 25)
- Connecting Your SMART Board interactive display frame (page 28)
- Connecting Your SMART Board *for Flat-Panel Displays* Interactive Overlay (page 32)

Connecting Your Flat-Panel Display

Follow these instructions to connect the correct cables from your FSSBID 100's prewired cable harness to your flat-panel display's connection panel.

Cable Connections to Your Flat-Panel Display



To connect your flat-panel display

1. Connect speaker cables **A02** and **A03** to your flat-panel display's speaker receptacles.
2. Connect the VGA video plug from cable **AV01** to your flat-panel display's VGA video receptacle.



NOTE

If your flat-panel display has more than one VGA video receptacle, use the receptacle adjacent or closest to a 3.5 mm audio receptacle.

3. Connect the 3.5 mm stereo audio plug from cable **AV01** to an audio receptacle on your flat-panel display's connection panel. Typically, this audio receptacle is beside the VGA connection.
4. Connect the 3.5 mm stereo audio plug from cable **A01** to a second audio receptacle on your flat-panel display's connection panel.



NOTE

If your flat-panel display's connection panel has only one 3.5 mm audio receptacle, contact your [authorized SMART reseller](#) to purchase a 3.5 mm audio Y-adapter cable.

5. Connect cable **V01** as follows:
 - Connect the red BNC plug to the red BNC receptacle on your flat-panel display's connection panel. This receptacle is typically labeled **R**.
 - Connect the green BNC plug to the green BNC receptacle on your flat-panel display's connection panel. This receptacle is typically labeled **G**.
 - Connect the blue BNC plug to the blue BNC receptacle on your flat-panel display's connection panel. This receptacle is typically labeled **B**.
 - Connect the white BNC plug to the white BNC receptacle on your flat-panel display's connection panel. This receptacle is typically labeled **H**.
 - Connect the yellow BNC plug to the yellow BNC receptacle on your flat-panel display's connection panel. This receptacle is typically labeled **V**.
6. Connect cable **AV02** as follows:
 - Connect the yellow plug to the yellow RCA receptacle on your flat-panel display's connection panel. This receptacle is typically labeled **V** or **VIDEO**.
 - Connect the red plug to the adjacent red RCA receptacle on your flat-panel display's connection panel. This receptacle is typically labeled **R**.
 - Connect the white plug to the adjacent white RCA receptacle on your flat-panel display's connection panel. This receptacle is typically labeled **L**.

7. Connect cable **AV03** as follows:

- Connect the RGB red video plug to the appropriate red RCA receptacle on your flat-panel display's connection panel. This receptacle is typically labeled **Pr** or **R**.

 **IMPORTANT**

Do not confuse the RGB red video plug with the red audio plug.

- Connect the RGB green video plug to the green RCA receptacle on your flat-panel display's connection panel. This receptacle is typically labeled **Pb** or **B**.
 - Connect the RGB blue video plug to the blue RCA receptacle on your flat-panel display's connection panel. This receptacle is typically labeled **Y** or **G**.
 - Connect the red audio plug to the remaining red RCA receptacle on your flat-panel display's connection panel. This receptacle is typically labeled **R**.
 - Connect the white audio plug to the remaining white RCA receptacle on your flat-panel display's connection panel. This receptacle is typically labeled **L**.
8. Connect your SMART Mobile Stand's prewired power cable to your flat-panel display's power receptacle.
9. Connect the other end of this cable to an available receptacle on your SMART Mobile Stand's power bar.

 **IMPORTANT**

- Your flat-panel display won't look exactly like the one shown on page 18.
- Some flat-panel displays require audio/video adapters, which you can purchase from your [authorized SMART reseller](#).
- If you intend to install a Blu-ray player, you can purchase a separate HDMI cable to replace cable **AV03**. Install this HDMI cable along the same path as cable **AV03**, and then connect it to similar points.

 **NOTE**

Don't connect your SMART Mobile Stand to a power outlet before you install the rear access panels (page 58).

Connecting Your Computer

Your SMART Mobile Stand includes dedicated space for a tower computer behind the left cabinet door when your stand is configured for standard shelving. Internal connections provide support for VGA video, 3.5 mm stereo audio, USB for interactive product touch control, and two additional USB devices.

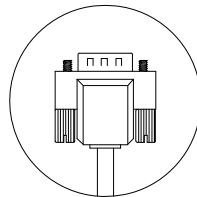
WARNING

You must connect the USB cable that came with your SMART Mobile Stand to a computer that has a USB 2.0 compliant interface and that bears the USB logo. In addition, the USB source computer must be compliant with CSA/UL/EN 60950 and bear the CE mark and CSA and/or UL Mark(s) for CAS/UL 60950. This is for operating safety.

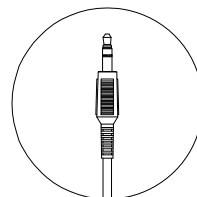
IMPORTANT

SMART recommends that you have at least three USB receptacles on your computer to connect it to your SMART Mobile Stand. If your computer has fewer than three available USB receptacles, you need a USB hub (not included) to connect your computer to your stand. Contact your [authorized SMART reseller](#) to order a recommended USB hub.

The following procedure refers to these cables, which are prewired and included in your SMART Mobile Stand's cable harness:



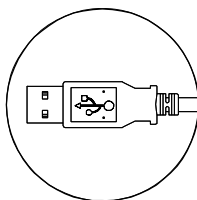
VGA (Video) Male Cable



3.5 mm Stereo Audio Plug

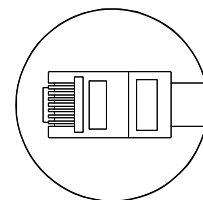
NOTES

- The VGA male cable and the 3.5 mm stereo audio cable are joined and marked **AV01** in the prewired cable harness.
- You previously connected the other end of these cables to your flat-panel display (page 19).



Three USB A Male Plugs
Marked **C01**, **C02** and **C03**

(Prewired to Your SMART Mobile Stand's
Connection Panel)



RJ45 Male Plug
Marked **N01**

(Prewired to Your SMART Mobile Stand's
Connection Panel)

To connect to your computer


1. Connect the VGA video plug from cable **AV01** in the prewired cable harness to your computer's VGA video receptacle.

i NOTES

- Your computer might have more than one VGA video receptacle. If this is the case, refer to the documentation included with your computer to determine the correct receptacle.
- If your computer has only DVI receptacles, you likely received a DVI to VGA adapter (or video card) with your computer, which enables you to use the DVI connection. If you require a DVI to VGA adapter, you can purchase one from an electronics or computer store.

2. Connect the 3.5 mm stereo audio plug from cable **AV01** in the prewired cable harness to your computer's audio output receptacle.

i NOTES

- This audio receptacle is typically green, and is often marked with an insert arrow or the audio waves symbol . If you're unable to locate this receptacle, refer to the documentation included with your computer for more information.
- You previously connected the other end of this cable to your flat-panel display (see page 19).

3. Connect each of the three USB A male plugs from cables **C01**, **C02** and **C03** in the prewired cable harness to an available USB receptacle on your computer.

OR


If your computer has only two available USB receptacles, connect the A male plug from the USB cable marked **C01** to one receptacle, connect a USB hub (not included) to the second receptacle, and then connect the A male plugs from the USB cables marked **C02** and **C03** to the USB hub.

OR

If your computer has only one available USB receptacle, connect a USB hub (not included) to the receptacle, and then connect all three USB A male plugs to the USB hub.

i NOTE

If you require a USB hub to connect cables **C01**, **C02** and **C03** to your computer, your [authorized SMART reseller](#) can recommend a part.

4. Connect RJ45 cable **N01** to your computer's network/LAN receptacle .

5. Connect your computer's power cable (not included with your SMART Mobile Stand) to an available receptacle on your stand's power bar.

 **TIP**

Coil and bundle the cable with the included hook-and-loop fastener strap.

Connecting Your SMART Hub PE260

If you connect your SMART Mobile Stand to a SMART Hub PE260 instead of a computer, install your SMART Hub PE260 in the dedicated space for a tower computer behind the left cabinet door (when your stand is configured for standard shelving).

For more information about using your SMART Hub PE260, refer to the *SMART Hub PE260 Configuration Guide* ([document 127260](#) at www.smarttech.com/support).

 **NOTE**

If you want to connect a SMART Hub SE240 to your SMART Mobile Stand, contact your [authorized SMART reseller](#) for more information.

To connect your SMART Mobile Stand to a SMART Hub PE260

1. Follow the installation instructions included in the *SMART Hub PE260 Textless Installation Instructions* ([document 127261](#) at www.smarttech.com/support).




 **TIP**

You might find it easier to complete this connection procedure before securing your SMART Hub PE260 to your SMART Mobile Stand's cabinet.

2. Connect the VGA video plug from cable **AV01** in the prewired cable harness to your SMART Hub's VGA video receptacle, marked **Primary**.

 **NOTE**

You previously connected the other end of this cable to your flat-panel display (see page 19).

3. Connect the 3.5 mm stereo audio plug from cable **AV01** in the prewired cable harness to your SMART Hub's audio input receptacle, marked with the audio waves symbol .
4. Connect each of the three USB A male plugs from cables **C01**, **C02** and **C03** in the prewired cable harness to an available USB receptacle on your SMART Hub, marked with the USB symbol .
5. Connect RJ45 cable **N01** to your SMART Hub's network/LAN receptacle **1** .
6. Connect your SMART Hub's power cable (included with your SMART Hub PE260) to an available receptacle on your SMART Mobile Stand's power bar.



TIP

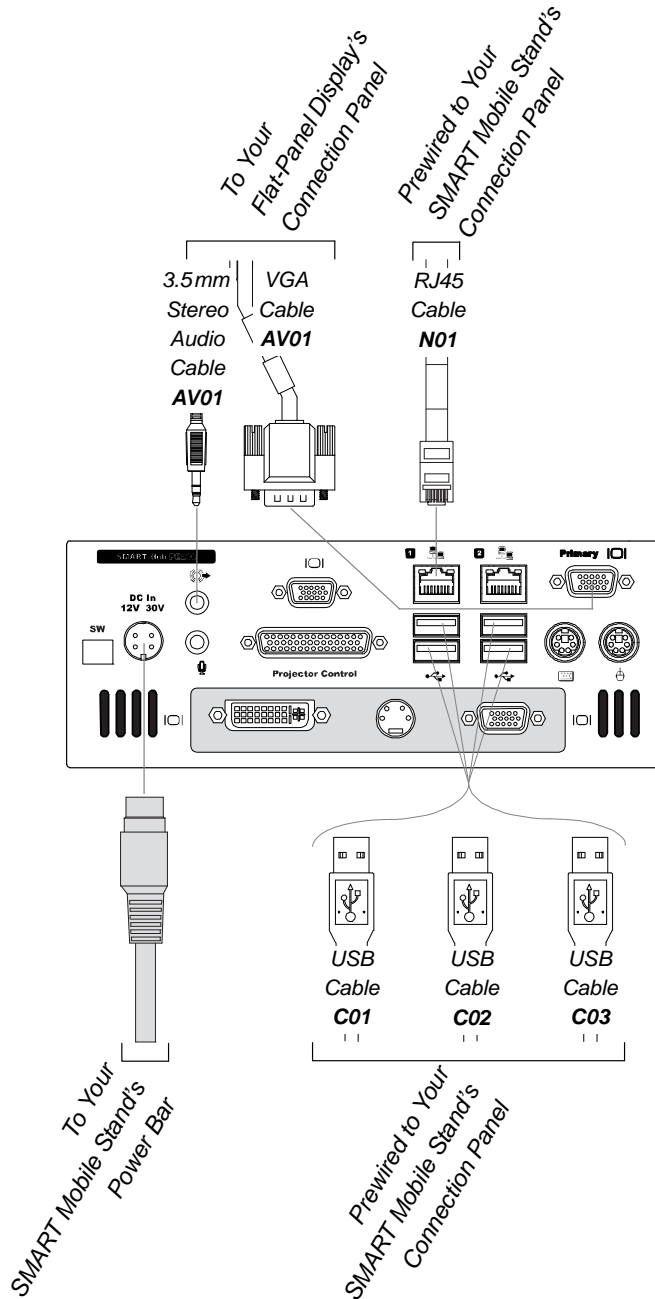
Coil and bundle the cable with the included hook-and-loop fastener strap.



NOTE

Don't connect your SMART Mobile Stand to a power outlet before you install the rear access panels (page 58).

Cable Connections to Your SMART Hub PE260



Connecting a DVD/Blu-ray Player or VCR

Your SMART Mobile Stand supports audiovisual devices, including a DVD/Blu-ray player or VCR. Internal connections provide support for a component video device with stereo audio, and a composite video device with stereo audio.

CAUTION

If you install additional audio or video cables other than those provided with your SMART Mobile Stand, SMART Board interactive display frame, SMART Board *for Flat-Panel Displays* interactive overlay, or as part of an adapter kit, SMART assumes no responsibility and you are solely responsible for any damage incurred to your SMART Mobile Stand, its cabling or other devices.

IMPORTANT

- The following procedures are generic instructions, and your DVD or Blu-ray player or VCR's connection panel might not resemble the illustrations or color codes referenced in this guide. Refer to the documentation included with your device for specific connection instructions.
- For some DVD and Blu-ray players, you might choose to purchase a separate HDMI cable to replace cable **AV03**. Install this HDMI cable along the same path as cable **AV03**. See page 12 for details on connecting the other end of this cable to your flat-panel display.

TIPS

- Install your DVD or Blu-ray player on the top shelf or highest rack mount position in your SMART Mobile Stand's cabinet.
- Install your VCR on the lowest shelf in your SMART Mobile Stand's cabinet.

To connect your DVD/Blu-ray player

1. Connect the five-plug RCA cable **AV03**, or your HDMI cable, as follows:

- Connect the RGB red video plug to your DVD or Blu-ray player's appropriate red receptacle, which is typically labeled **Pr** or **R**.



IMPORTANT

Do not confuse the RGB red video plug with the red audio plug.

- Connect the RGB blue video plug to your DVD or Blu-ray player's blue receptacle, which is typically labeled **Pb** or **B**.
- Connect the RGB green video plug to your DVD or Blu-ray player's green receptacle, which is typically labeled **Y** or **G**.
- Connect the red audio plug to your DVD or Blu-ray player's remaining red receptacle, which is typically labeled **R**.
- Connect the white audio plug to your DVD or Blu-ray player's white receptacle, which is typically labeled **L**.



NOTE

You previously connected the other end of this cable to your flat-panel display (see page 20).

2. Connect your DVD or Blu-ray player's power cable (not included with your SMART Mobile Stand) to an available receptacle on your SMART Mobile Stand's power bar.



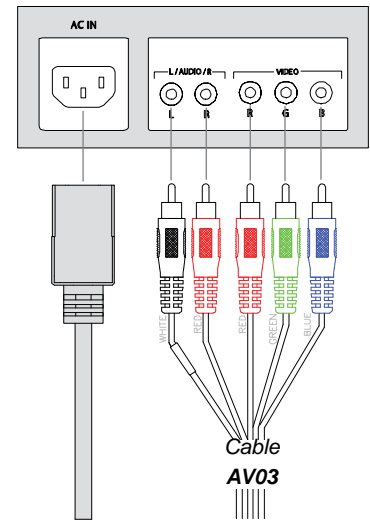
TIP

Coil and bundle the cable with the included hook-and-loop fastener strap.



NOTE

Don't connect your SMART Mobile Stand to a power outlet before you install the rear access panels (page 58).



To connect your VCR

1. Connect the three-plug RCA cable **AV02** as follows:
 - Connect the yellow plug to your VCR's yellow receptacle, which is typically labeled **V** or **VIDEO**.
 - Connect the red audio plug to your VCR's appropriate red receptacle, which is typically labeled **R**.
 - Connect the white audio plug to your VCR's appropriate white receptacle, which is typically labeled **L**.



NOTE

You previously connected the other end of this cable to your flat-panel display (see page 19).

2. Connect your VCR's power cable (not included) to an available receptacle on your SMART Mobile Stand's power bar.



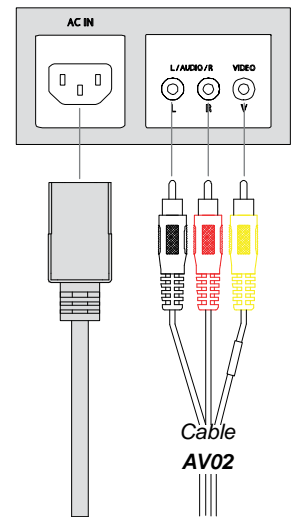
TIP

Coil and bundle the cable with the included hook-and-loop fastener strap.



NOTE

Don't connect your SMART Mobile Stand to a power outlet before you install the rear access panels (page 58).



Connecting Your SMART Board interactive display frame

This section describes how to connect your SMART Board interactive display frame's controller box to your SMART Mobile Stand (instead of directly to a computer).

Refer to the *SMART Board interactive display frame Installation and User's Guide* ([document 125254](#) at www.smarttech.com/support) for general instructions on installing your SMART Board interactive display frame on your flat-panel display.

NOTE

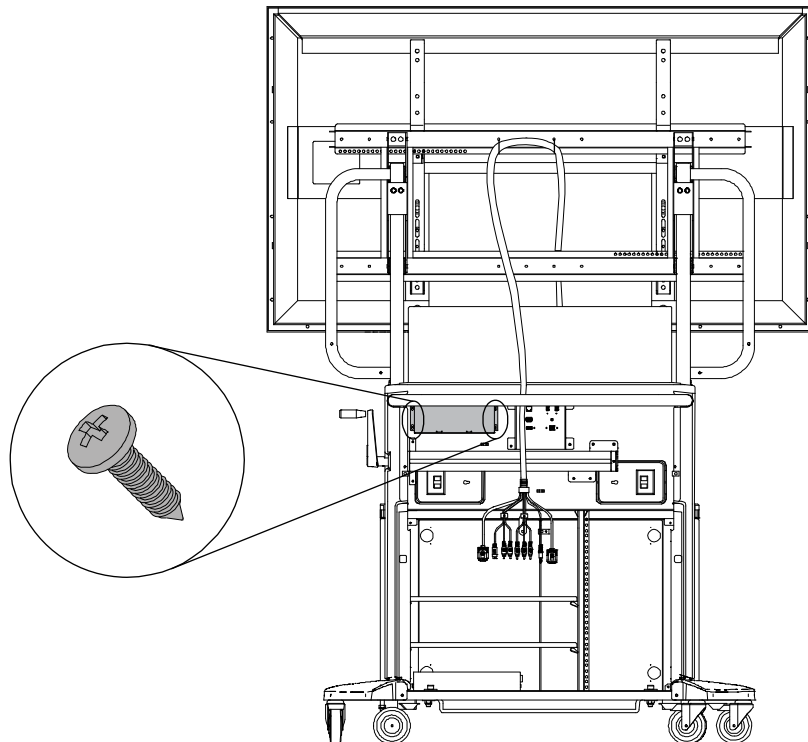
You don't need the USB cable included with your SMART Board interactive display frame to complete the following procedure.

To connect your interactive display frame

1. Rotate your SMART Mobile Stand's height-adjustment handle to raise your flat-panel display to its highest position.
2. Working inside your SMART Mobile Stand's cabinet from the back, secure your SMART Board interactive display frame's controller box to the mounting holes on the left side of the connection panel with the four screws included in your stand's accessory kit.

IMPORTANT

Ensure that the controller box's LEDs face downward.



3. Connect your SMART Board interactive display frame's power cable to your interactive display frame's power supply.
4. Connect the cable from your SMART Board interactive display frame's power supply to the controller box.

TIP

Route this cable up the cabinet's rear support tube and behind the hydraulic pump, leaving enough slack to create a strain relief loop.

5. Connect the other end to an available receptacle on your SMART Mobile Stand's power bar, and then coil and bundle any excess cable.

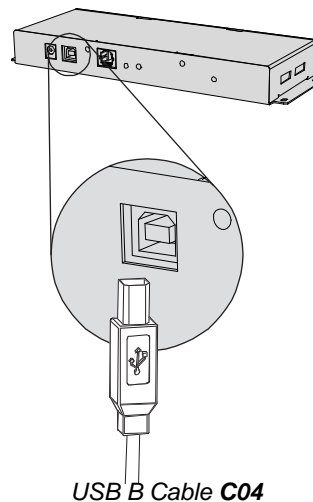
TIP

Place the power supply's transformer box next to the power bar, on the floor of your SMART Mobile Stand's cabinet.

6. Remove the plastic cable tie from the USB B male cable (marked **C04**) in your prewired cable harness, and then connect this cable to the USB receptacle on your interactive display frame's controller box.

NOTE

The other end of cable **C04** is prewired to your SMART Mobile Stand's connection panel (which connects to your computer or SMART Hub).



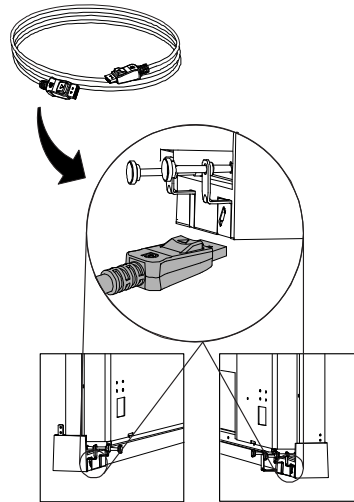
TIP

- Leave enough slack in this cable to create a strain relief loop.
- Use a plastic cable tie to fasten this cable to the clip on the inside of your SMART Mobile Stand's speaker panel, as illustrated on page 31.

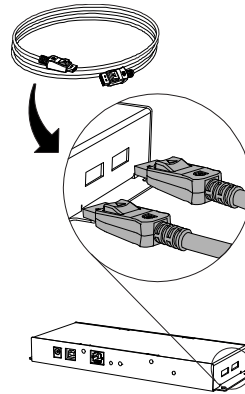
7. Route your interactive display frame's camera cables through the connection panel from the right side, up your SMART Mobile Stand's prewired cable harness, down behind the speaker panel and along the inside edge of the pencil ledge, as shown page 31.

 **TIPS**

- To route the camera cables, remove the plastic cable ties securing the cable harness to your SMART Mobile Stand's top horizontal mounting bar, remove the nylon sleeve, and then loosen all the hook-and-loop fastener straps.
 - Remove each plastic cable tie by pressing down on the plastic tab while you pull the tie backward.
 - After you route the camera cables, secure them together with the rest of the cables with the hook-and-loop fastener straps and nylon sleeve, and then secure the cable bundle to the top horizontal mounting bar with the plastic cables ties.
8. Connect the camera cables to your frame's bottom corner blocks.



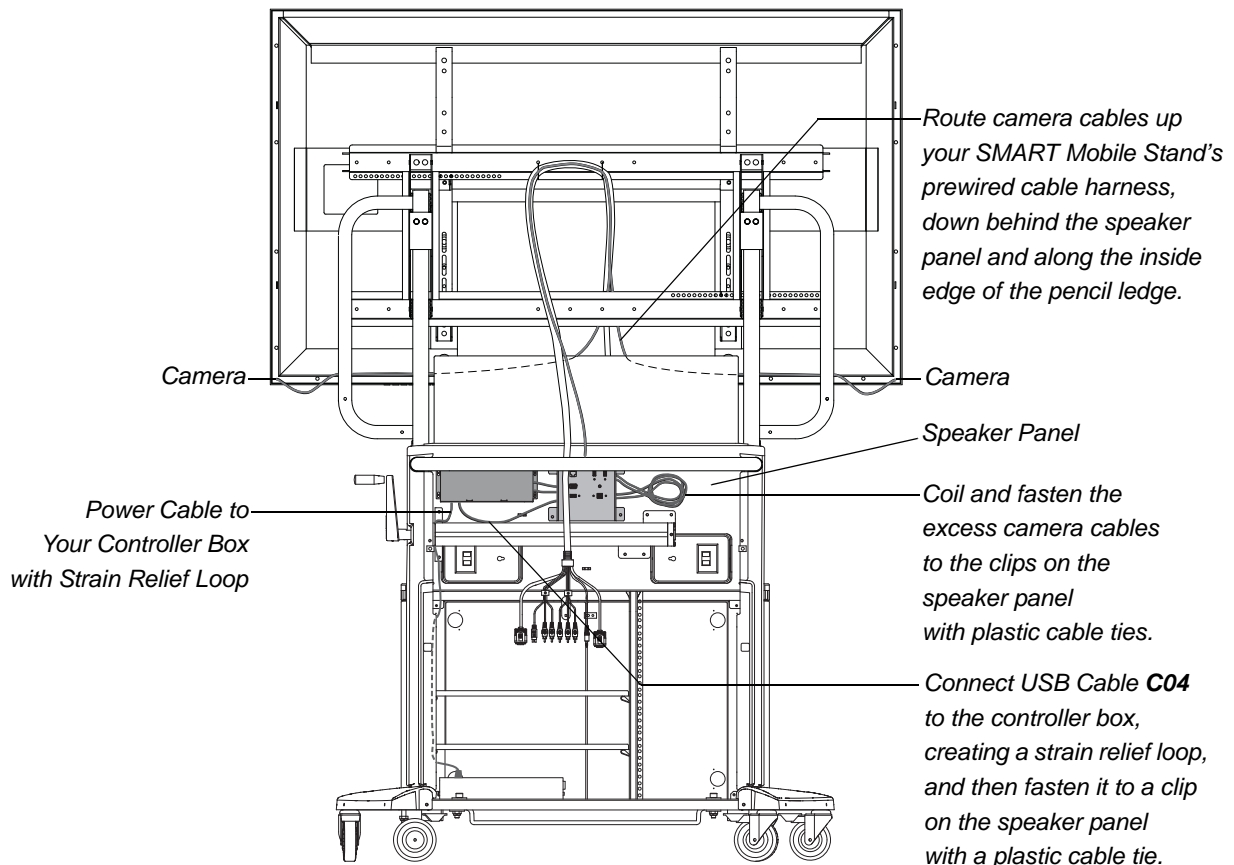
9. Route the other end of the camera cables back through the connection panel from right to left, and then connect them to your SMART Board interactive display frame's controller box, coiling the excess cable and fastening it to the speaker panel with cable ties, as shown below.



TIP

Leave some slack throughout the length of these cables. Don't pull them tight.

Cable Connections to Your SMART Board Interactive Display Frame



 **IMPORTANT**

Ensure that your SMART Board interactive display frame is functioning correctly before you install the rear access panels on your SMART Mobile Stand (see page 58). Connect your SMART Mobile Stand temporarily to a power outlet while you check your interactive display frame.

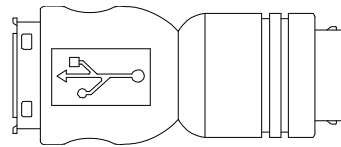
Connecting Your SMART Board for Flat-Panel Displays Interactive Overlay

This section describes how to connect your SMART Board *for Flat-Panel Displays* interactive overlay to your SMART Mobile Stand (instead of directly to a computer).

Refer to the *SMART Board for Flat-Panel Displays Installation Guide: Corner Brackets* ([document 769](#) at www.smarttech.com/support) for general instructions on installing your interactive overlay on your flat-panel display.

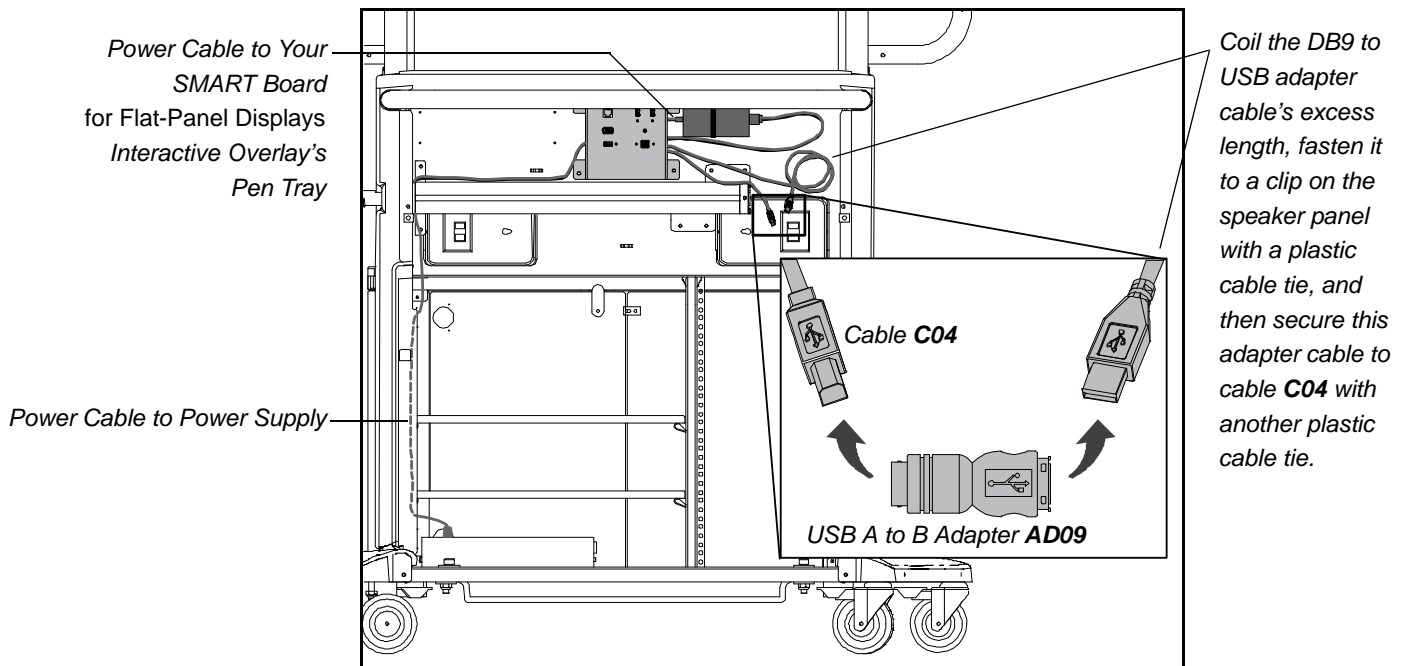
 **IMPORTANT**

You need adapter **AD09** to install your SMART Board *for Flat-Panel Displays* interactive overlay. Purchase this adapter (Part No. ADP USB AB) from your [authorized SMART reseller](#).



*USB A Female to
USB B Female
Adapter **AD09***

Cable Connections to Your Interactive Overlay



To connect your interactive overlay

1. Working inside your SMART Mobile Stand's cabinet from the back, secure your interactive overlay's power supply to the two mounting holes directly to the right of the connection panel, using plastic cable ties.

IMPORTANT

Position this power supply so that the power cable is on the left side.

2. Connect the power cable and connector from this power supply to your interactive overlay's power port.

TIPS

- Route this power cable through your SMART Mobile Stand's connection panel and up the prewired cable harness.
- Leave some slack throughout the length of this cable. Don't pull it tight.

3. Connect the DB9 end of the SMART DB9 to USB adapter cable (included with your SMART Board for Flat-Panel Displays interactive overlay) to your pen tray, ensuring that you can still easily access the USB A plug at the other end.

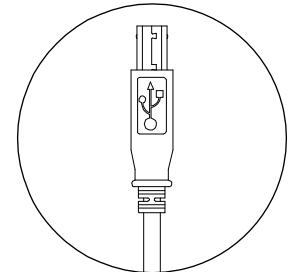
TIPS

- First route this adapter cable through your SMART Mobile Stand's connection panel and up the prewired cable harness.
 - Leave some slack throughout the length of this cable. Don't pull it tight.
 - Coil the excess cable and fasten it to the lower right clip on your SMART Mobile Stand's speaker panel with plastic cable ties.
4. Connect the USB plug that you left accessible in the previous step to the USB A receptacle of adapter **AD09**, which you purchased for your SMART Mobile Stand (as shown on page 32).

NOTE

Don't connect the SMART DB9 to USB adapter cable included with your SMART Board for Flat-Panel Displays interactive overlay to your computer, as instructed in the *SMART Board for Flat-Panel Displays Installation Guide*.

5. If you've connected either a computer or a SMART Hub PE260 to your SMART Mobile Stand, remove the plastic cable tie from the USB B male cable (marked **C04**) in your SMART Mobile Stand's prewired cable harness, and then connect it to the other end of the adapter that you purchased for your unit (as shown on page 32).



USB B Cable **C04**

NOTE

The other end of cable **C04** is prewired to your SMART Mobile Stand's connection panel.

TIP

Secure cable **C04** to the SMART DB9 to USB adapter cable included with your interactive overlay with a plastic cable tie.

6. Connect your interactive overlay's power cable (included with your interactive overlay) to the right side of its power supply.

7. Route the power cable through the connection panel from right to left, behind the hydraulic pump and down the cabinet's rear support tube, and then connect the other end to an available receptacle on your SMART Mobile Stand's power bar.



TIP

Coil and bundle the excess cable with the included hook-and-loop fastener strap.



NOTES

- Don't connect your SMART Mobile Stand to a power outlet before you install the rear access panels (page 58).
- If you move your SMART Mobile Stand with a SMART Board *for Flat-Panel Displays* interactive overlay installed, secure the pens in the pen tray so that they don't fall out.

Model FSSBID 100H: Connecting Devices Inside Your SMART Mobile Stand's Cabinet

This chapter explains how to connect your SMART Mobile Stand FSSBID 100H's prewired cable harness to your flat-panel display, SMART Hub SE240, computer, and other devices inside your stand's cabinet. Your stand's cable harness provides centralized cable management with strain relief.



IMPORTANT

Some flat-panel displays require adapter kits, which you can purchase from your [authorized SMART reseller](#).

This chapter covers:

- Installing Your SMART Hub SE240 (page 38)
- Connecting Your Flat-Panel Display (page 41)
- Connecting Your SMART Hub SE240 (page 43)
- Connecting Your Computer (page 46)
- Connecting a DVD/Blu-ray Player or VCR (page 48)
- Connecting Your SMART Board interactive display frame (page 50)
- Connecting Your SMART Board *for Flat-Panel Displays* Interactive Overlay (page 55)

Installing Your SMART Hub SE240

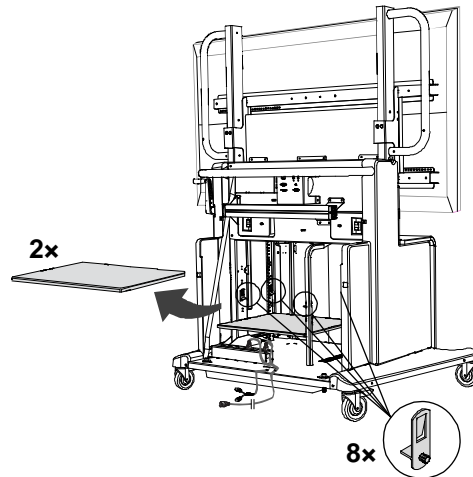
Perform the following procedure to install a SMART Hub SE240 in your FSSBID 100H's cabinet, using the washers and screws that you received with your stand.

IMPORTANT

- Do not follow the installation instructions included with your SMART Hub SE240.
- When you configure your SMART Mobile Stand for a rack mount, you can also install your SMART Hub SE240 in the top rack mount position (see *Configuring a Rack Mount* on page 69).

To install your SMART Hub SE240

1. If the shelves are already installed in your SMART Mobile Stand, remove them from the cabinet, and then remove the eight shelf clips.



NOTE

If you need instructions for removing your rear access panels, see steps 1 to 3 in *Appendix A: Configuring a Rack Mount* on page 69.

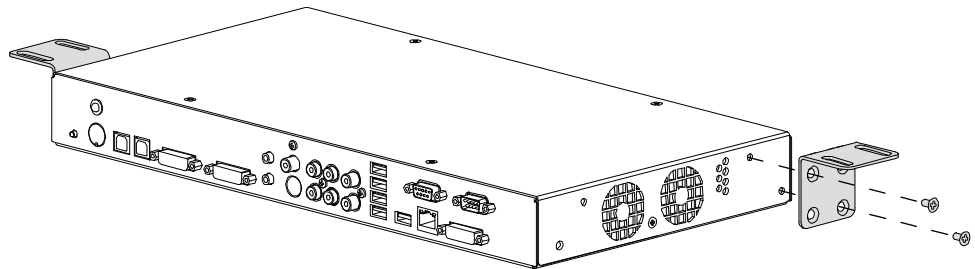
2. Align the base of a SMART Hub SE240 mounting bracket to the top of the front left corner and rear right corner of your hub (when viewed from its connection face), as shown in the following image.

- Using a Phillips® No. 2 screwdriver, secure these mounting brackets using four of the screws included with your SMART Hub SE240, as shown.

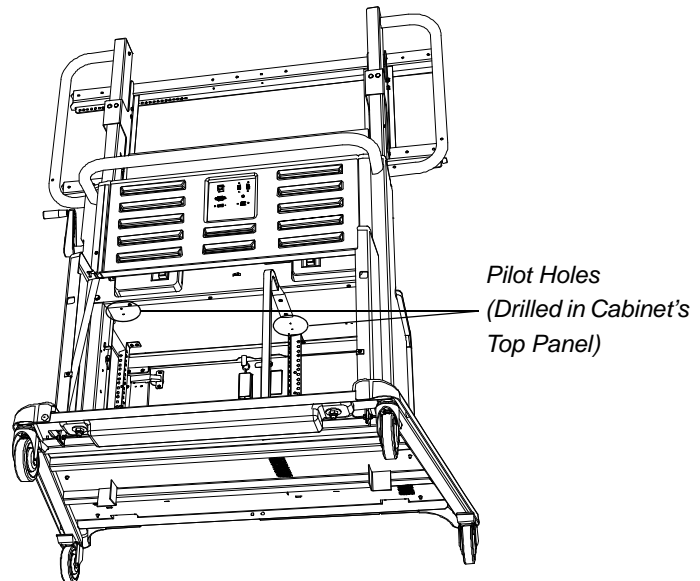


NOTE

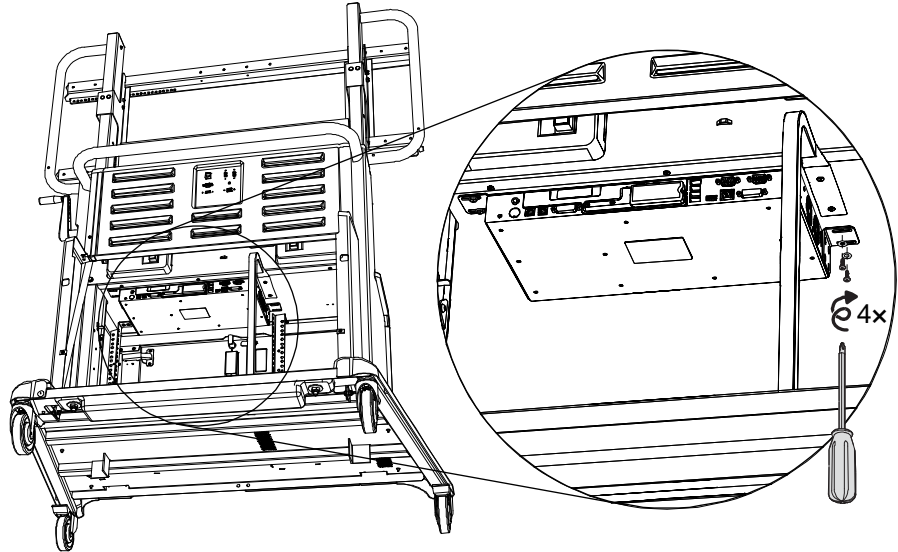
You don't need the other two L-brackets and four screws included with your hub.



- Working inside your SMART Mobile Stand's cabinet from the rear, position your SMART Hub SE240 against the cabinet's top panel, aligning the holes in the mounting brackets to the four pilot holes drilled in the top of the cabinet, as shown.



5. Using a Phillips No. 2 screwdriver, secure your SMART Hub SE240 to your SMART Mobile Stand's cabinet with the four washers and four screws included in your stand's accessory kit, as shown.



NOTE

Don't over-tighten these screws.

6. Replace the shelves that you removed in step 1.



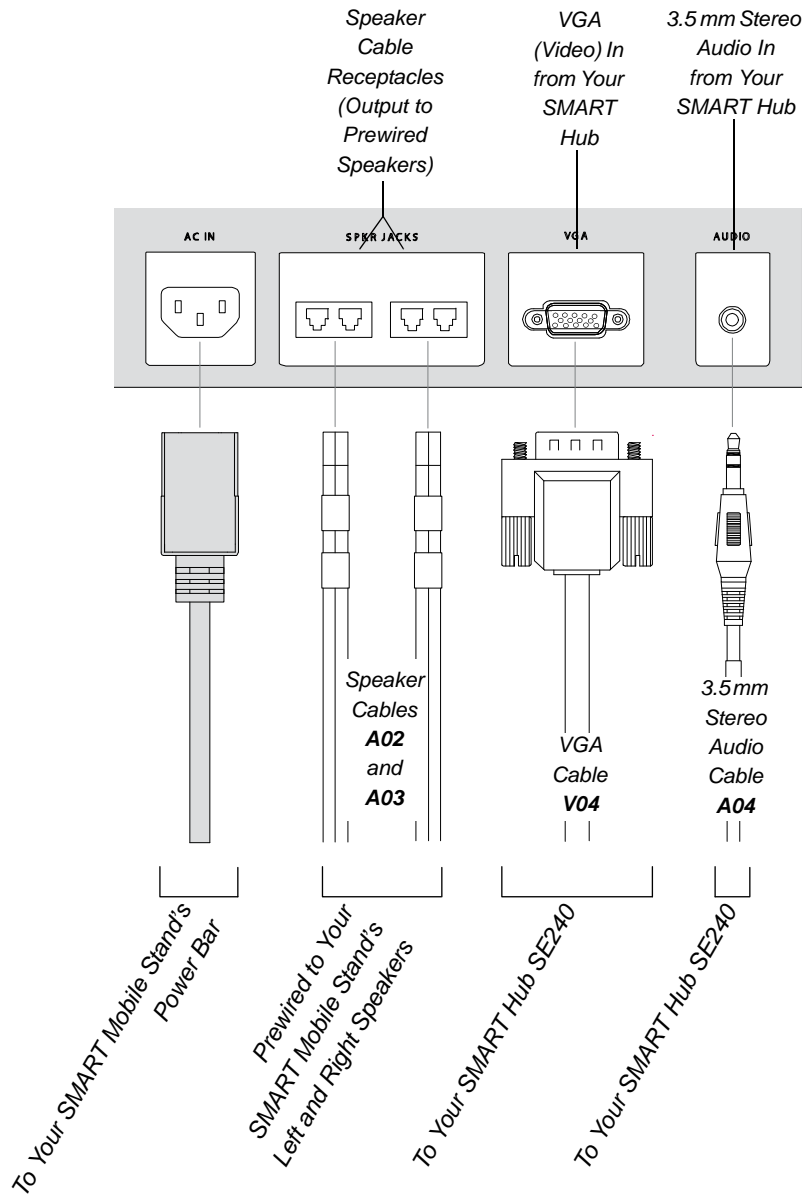
TIPS

- Ensure that you leave at least 1" (2.5 cm) of space between equipment for cooling.
- For more information on adjusting the shelves in your SMART Mobile Stand's cabinet, see page 14.

Connecting Your Flat-Panel Display

Follow these instructions to connect the correct cables from your FSSBID 100H's prewired cable harness to your flat-panel display's connection panel.

Cable Connections to Your Flat-Panel Display



To connect your flat-panel display

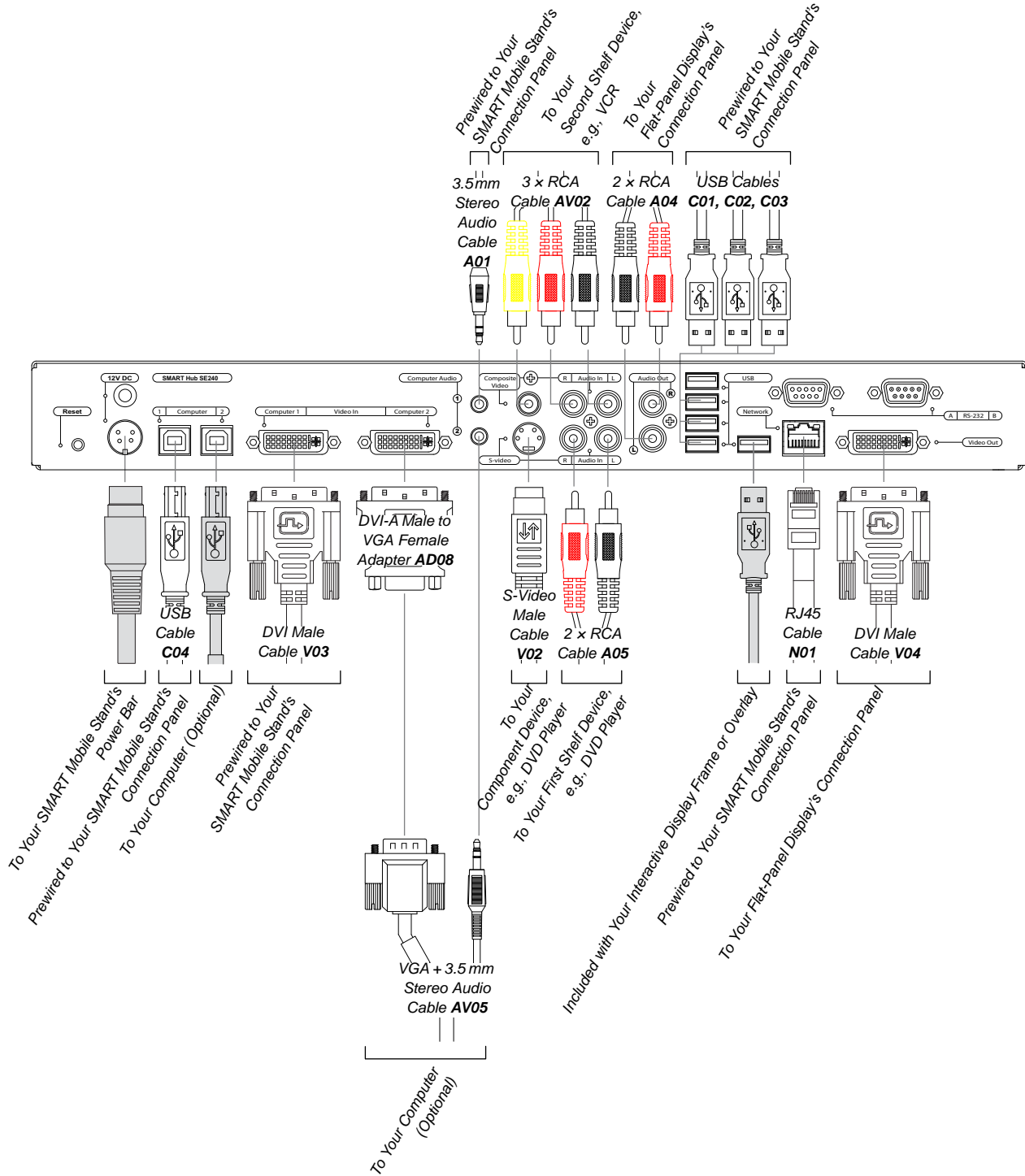
1. Connect speaker cables **A02** and **A03** to your flat-panel display's speaker receptacles.
2. Connect the VGA video plug from cable **V04** to your flat-panel display's VGA video receptacle.
3. Connect the 3.5 mm stereo audio plug from cable **A04** to an audio receptacle on your flat-panel display's connection panel.
4. Connect the SMART Mobile Stand's prewired power cable to your flat-panel display's power receptacle.
5. Connect the other end of this cable to an available receptacle on your SMART Mobile Stand's power bar.



IMPORTANT

- Your flat-panel display won't look exactly like the one shown on page 41.
- Some flat-panel displays require audio/video adapters, which you can purchase from your [authorized SMART reseller](#).
- Don't connect your SMART Mobile Stand to a power outlet before you install the rear access panels (page 58).

Connecting Your SMART Hub SE240



Perform the following procedure to connect a SMART Hub SE240 to your SMART Mobile Stand.

i NOTE

You require a USB A to USB B cable (not included) if you're installing a computer with your SMART Hub SE240.

To connect your SMART Hub SE240

1. Connect the 3.5 stereo audio plug from cable **A01** to your SMART Hub's *Computer Audio* receptacle, marked **1**.
2. Connect the three-plug RCA cable **AV02** included in your SMART Mobile Stand's accessory kit as follows:
 - Connect the yellow plug to your SMART Hub's *Composite Video* RCA receptacle.
 - Connect the red plug to the adjacent *Audio In* RCA receptacle, marked **R**.
 - Connect the white plug to the adjacent *Audio In* RCA receptacle, marked **L**.
3. Connect the two-plug RCA cable **A04** as follows:
 - Connect the red plug to your SMART Hub's *Audio Out* RCA receptacle, marked **R**.
 - Connect the white plug to your SMART Hub's *Audio Out* RCA receptacle, marked **L**.

i NOTE

You previously connected the other end of this cable to your flat-panel display (see page 42).

4. Connect the two-plug RCA cable **A05** included in your SMART Mobile Stand's accessory kit as follows:
 - Connect the red audio plug to your SMART Hub's remaining *Audio In* RCA receptacle, marked **R**.
 - Connect the white audio plug to your SMART Hub's remaining *Audio In* RCA receptacle, marked **L**.
5. Connect S-Video cable **V02** included in your SMART Mobile Stand's accessory kit to your hub's *S-Video* receptacle.
6. Connect DVI cable **V03** in the prewired cable harness inside the cabinet of your SMART Mobile Stand to your hub's *Video In* receptacle (marked **Computer 1**).
7. Connect DVI cable **V04** to your SMART Hub's DVI receptacle, marked **Video Out**.

i NOTE

You previously connected the other end of this cable to your flat-panel display (see page 42).

8. Connect each of the three USB A male plugs from cables **C01**, **C02** and **C03** in the prewired cable harness inside the cabinet of your SMART Mobile Stand to an available USB A receptacle on your SMART Hub, marked **USB**.
9. Remove the plastic cable tie from the USB B male cable (marked **C04**) in your SMART Mobile Stand's prewired cable harness, and then connect this cable to the USB B receptacle marked **Computer 1** on your SMART Hub SE240.
10. If you intend to install a SMART Board interactive display frame on your SMART Mobile Stand, connect the USB A plug of the USB cable included with your interactive display frame to an available USB A receptacle on your SMART Hub SE240.

OR

If you intend to install a SMART Board *for Flat-Panel Displays* interactive overlay with your SMART Mobile Stand, connect the USB A plug of the SMART DB9 to USB adapter cable included with your interactive overlay to an available USB A receptacle on your SMART Hub SE240.

 **TIP**

Route the other end of this cable up the cabinet's rear support tube and behind the hydraulic pump.

11. Connect RJ45 cable **N01** to your SMART Hub's network/LAN receptacle, marked **Network**.

If you're installing a computer with your SMART Hub SE240, complete the following steps. Otherwise, see *To finish installing your SMART Hub SE240* on page 45.

**To connect your
SMART Hub SE240
to a computer**

1. Connect the DVI A connector of adapter **AD08** included with your SMART Hub SE240 to your SMART Hub's remaining *Video In* receptacle (marked **Computer 2**), and then connect the VGA video plug from cable **AV05** included in your SMART Mobile Stand's accessory kit to adapter **AD08**'s VGA video receptacle.
2. Connect the 3.5 mm stereo audio plug from cable **AV05** to your SMART Hub SE240's remaining *Computer Audio* receptacle, marked **2**.
3. Connect a USB A to USB B cable (not included) to the remaining USB B receptacle marked **Computer 2** on your hub.

**To finish installing
your SMART Hub SE240**

1. Connect your SMART Hub SE240's power cable (included with your hub) to the receptacle marked **12V DC**, and then connect the other end to a free receptacle on your SMART Mobile Stand's power bar.

TIP

Coil and bundle the cable with the included hook-and-loop fastener strap.

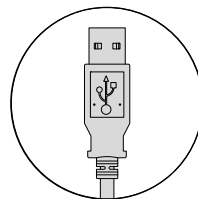
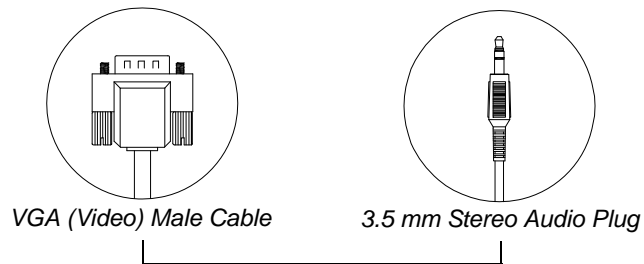
2. Replace the shelves in your SMART Mobile Stand's cabinet. See page 14 for details on installing the shelves in your SMART Mobile Stand.

Connecting Your Computer

If you choose to install a computer with your SMART Hub SE240, your SMART Mobile Stand includes dedicated space for a tower computer behind the left cabinet door when your stand is configured for standard shelving. Internal connections provide support for VGA video, 3.5 mm stereo audio, USB for interactive product touch control, and two additional USB devices.

IMPORTANT

- You must connect your SMART Hub SE240 to your computer (page 45) before you complete the following procedure.
- The following procedure refers to these cables, which you previously connected to your SMART Hub SE240 (page 43):



*USB A Male Plug
from USB A to USB B Cable
(Not Included)*

NOTE

The VGA male cable and the 3.5 mm stereo audio cable are joined and marked **AV05**.

To connect to your computer


1. Connect the VGA video plug from cable **AV05** to your computer's VGA video receptacle.

i NOTES

- Your computer might have more than one VGA video receptacle. If this is the case, refer to the documentation included with your computer to determine the correct receptacle.
- If your computer has only DVI receptacles, you likely received a DVI to VGA adapter (or video card) with your computer, which enables you to use the DVI connection. If you require a DVI to VGA adapter, you can usually purchase one from an electronics or computer store.
- You previously connected the other end of this cable to your SMART Hub SE240 (see page 45).

2. Connect the 3.5 mm stereo audio plug from cable **AV05** to your computer's audio output receptacle.

i NOTE

This audio receptacle is typically green, and is often marked with an insert arrow or the audio waves symbol . If you're unable to locate this receptacle, refer to the documentation included with your computer for more information.

3. Connect the USB A male plug of the USB A to USB B cable (not included) that you previously connected to your SMART Hub SE240 to an available USB receptacle on your computer (see page 45).
4. Connect your computer's power cable (not included with your SMART Mobile Stand) to an available receptacle on your stand's power bar.

💡 TIP

Coil and bundle the cable with the included hook-and-loop fastener strap.

Connecting a DVD/Blu-ray Player or VCR

Your SMART Mobile Stand supports audiovisual devices, including a DVD/Blu-ray player or VCR. Internal connections provide support for an S-video device with stereo audio, and a composite video device with stereo audio.

CAUTION

If you install additional audio or video cables other than those provided with your SMART Mobile Stand, SMART Board interactive display frame, SMART Board *for Flat-Panel Displays* interactive overlay, or as part of an adapter kit, SMART assumes no responsibility and you are solely responsible for any damage incurred to your SMART Mobile Stand, its cabling or other devices.

IMPORTANT

- The following procedures are generic instructions, and your DVD or Blu-ray player or VCR's connection panel might not resemble the illustrations or color codes referenced in this guide. Refer to the documentation included with your device for specific connection instructions.
- For some DVD and Blu-ray players, you might choose to purchase a separate HDMI cable to replace cables **A05** and **V02**. Install this HDMI cable along the same path as cables **A05** and **V02**. See page 41 for details on connecting the other end of these cables to your flat-panel display.

TIPS

- Install your DVD or Blu-ray player on the top shelf, or the second highest rack mount position.
- Install your VCR on the lowest shelf in your SMART Mobile Stand's cabinet.

To connect your DVD/Blu-ray player

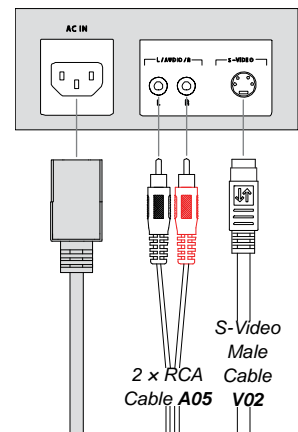
1. Connect the two-plug RCA cable **A05**, or your HDMI cable, as follows:

- Connect the red audio plug to your DVD or Blu-ray player's appropriate red receptacle, which is typically labeled **R**.
- Connect the white audio plug to your DVD or Blu-ray player's white receptacle, which is typically labeled **L**.

NOTE

You previously connected the other end of this cable to your SMART Hub SE240 (see page 44).

2. Connect S-Video cable **V02** to the appropriate receptacle on your DVD or Blu-ray player. This receptacle is typically labeled **S-Video**.





NOTE

You previously connected the other end of this cable to your SMART Hub SE240 (see page 44).

3. Connect your DVD or Blu-ray player's power cable (not included) to an available receptacle on your SMART Mobile Stand's power bar.



TIP

Coil and bundle the cable with the included hook-and-loop fastener strap.



NOTE

Don't connect your SMART Mobile Stand to a power outlet before you install the rear access panels (page 58).

To connect your VCR

1. Connect the three-plug RCA cable **AV02** as follows:

- Connect the yellow plug to your VCR's yellow receptacle, which is typically labeled **V** or **VIDEO**.
- Connect the red audio plug to your VCR's appropriate red receptacle, which is typically labeled **R**.
- Connect the white audio plug to your VCR's white receptacle, which is typically labeled **L**.



NOTE

You previously connected the other end of this cable to your SMART Hub SE240 (see page 44).

2. Connect your VCR's power cable (not included) to an available receptacle on your SMART Mobile Stand's power bar.



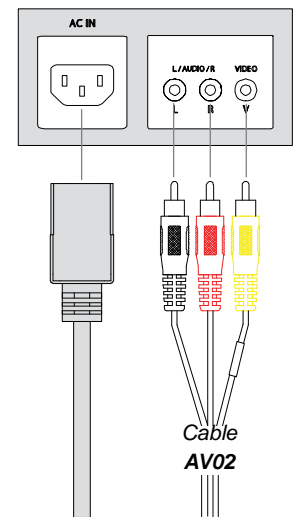
TIP

Coil and bundle the cable with the included hook-and-loop fastener strap.



NOTE

Don't connect your SMART Mobile Stand to a power outlet before you install the rear access panels (page 58).



Connecting Your SMART Board interactive display frame

This section describes how to connect your SMART Board interactive display frame's controller box to your SMART Mobile Stand (instead of directly to a computer).

Refer to the *SMART Board interactive display frame Installation and User's Guide* ([document 125254](#) at www.smarttech.com/support) for general instructions on installing your SMART Board interactive display frame on your flat-panel display.

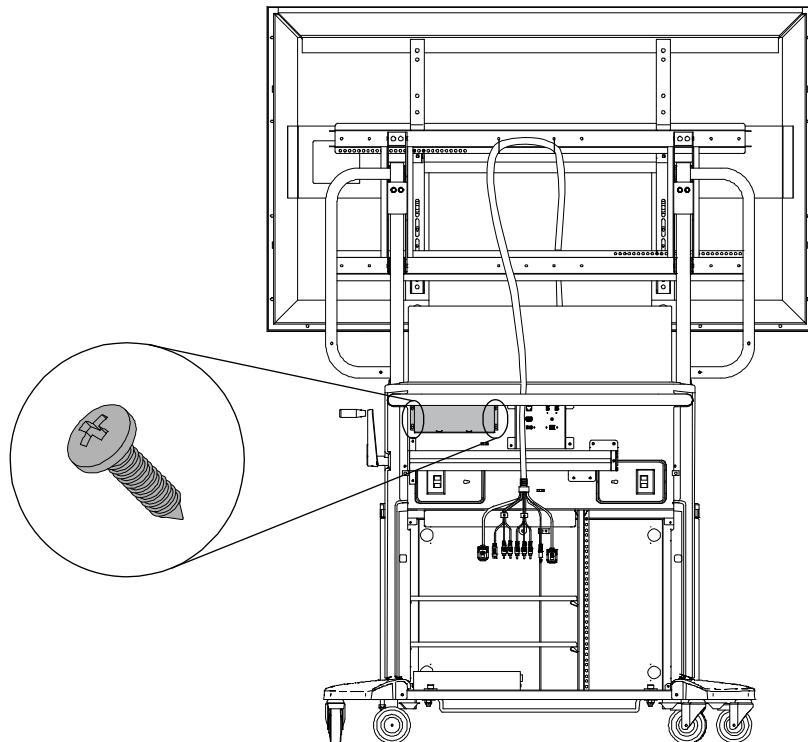
To connect your interactive display frame

1. Rotate your SMART Mobile Stand's height-adjustment handle to raise your flat-panel display frame to its highest position.
2. Working inside your SMART Mobile Stand's cabinet from the back, secure your SMART Board interactive display frame's controller box to the mounting holes on the left side of the connection panel with the four screws included in your stand's accessory kit.



IMPORTANT

Ensure that the controller box's LEDs face downward.



3. Connect your SMART Board interactive display frame's power cable to your interactive display frame's power supply.
4. Connect the cable from your SMART Board interactive display frame's power supply to the controller box.

TIP

Route this cable up the cabinet's rear support tube and behind the hydraulic pump, leaving enough slack to create a strain relief loop.

5. Connect the other end to an available receptacle on your SMART Mobile Stand's power bar, and then coil and bundle any excess cable.

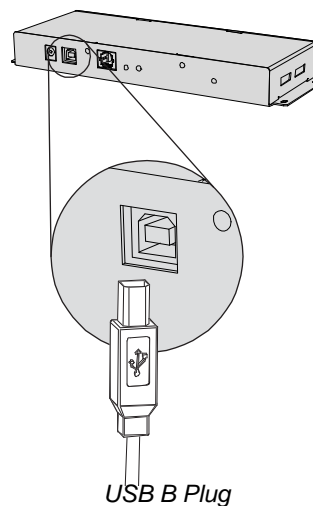
TIP

Place the power supply's transformer box next to the power bar, on the floor of your SMART Mobile Stand's cabinet.

6. Connect the USB cable included with your SMART Board interactive display frame to the USB receptacle on your interactive display frame's controller box.

NOTE

You previously connected the other end of this cable to your SMART Hub SE240 (see page 45).



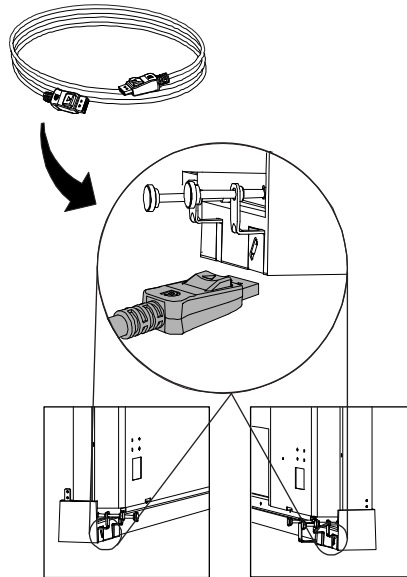
TIP

Coil the excess cable, and then fasten it to a clip on the inside of your SMART Mobile Stand's speaker panel, as illustrated on page 53.

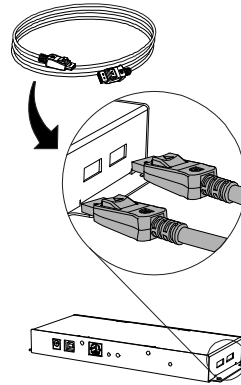
7. Route your interactive display frame's camera cables through the connection panel from the right side, up your SMART Mobile Stand's prewired cable harness, down behind the speaker panel and along the inside edge of the pencil ledge, as shown on page 53.

 **TIPS**

- To route the camera cables, remove the plastic cable ties securing the cable harness to your SMART Mobile Stand's top horizontal mounting bar, remove the nylon sleeve, and then loosen all the hook-and-loop fastener straps.
 - Remove each plastic cable tie by pressing down on the plastic tab while you pull the tie backward.
 - After you route the camera cables, secure them together with the rest of the cables with the hook-and-loop fastener straps and nylon sleeve, and then secure the cable bundle to the top horizontal mounting bar with the plastic cable ties.
8. Connect the camera cables to your frame's bottom corner blocks.



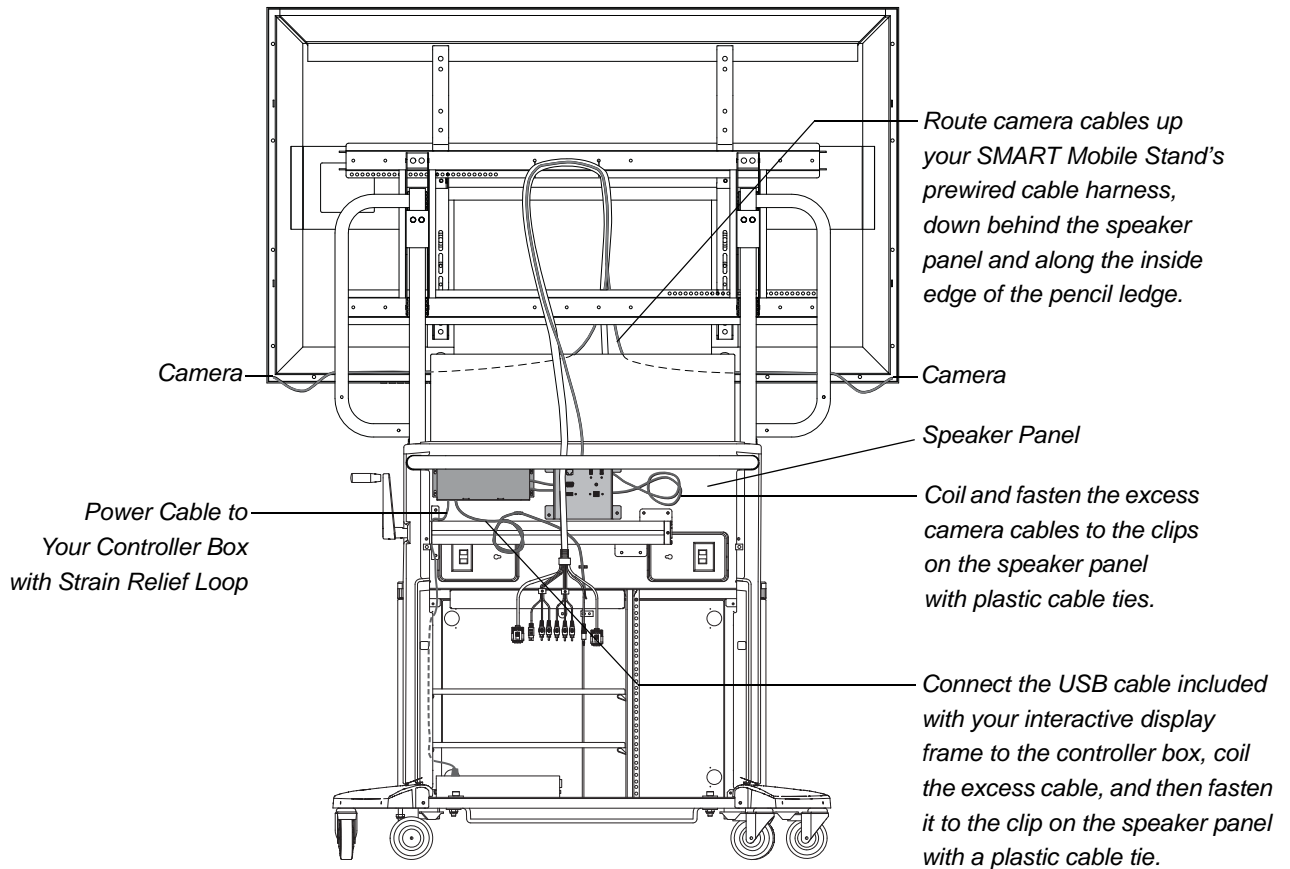
9. Route the other end of the camera cables back through the connection panel from right to left, and then connect them to your SMART Board interactive display frame's controller box, coiling the excess cable and fastening it to the speaker panel with cable ties, as shown on page 53.



TIP

Leave some slack throughout the length of these cables. Don't pull them tight.

Cable Connections to Your SMART Board interactive display frame



 **IMPORTANT**

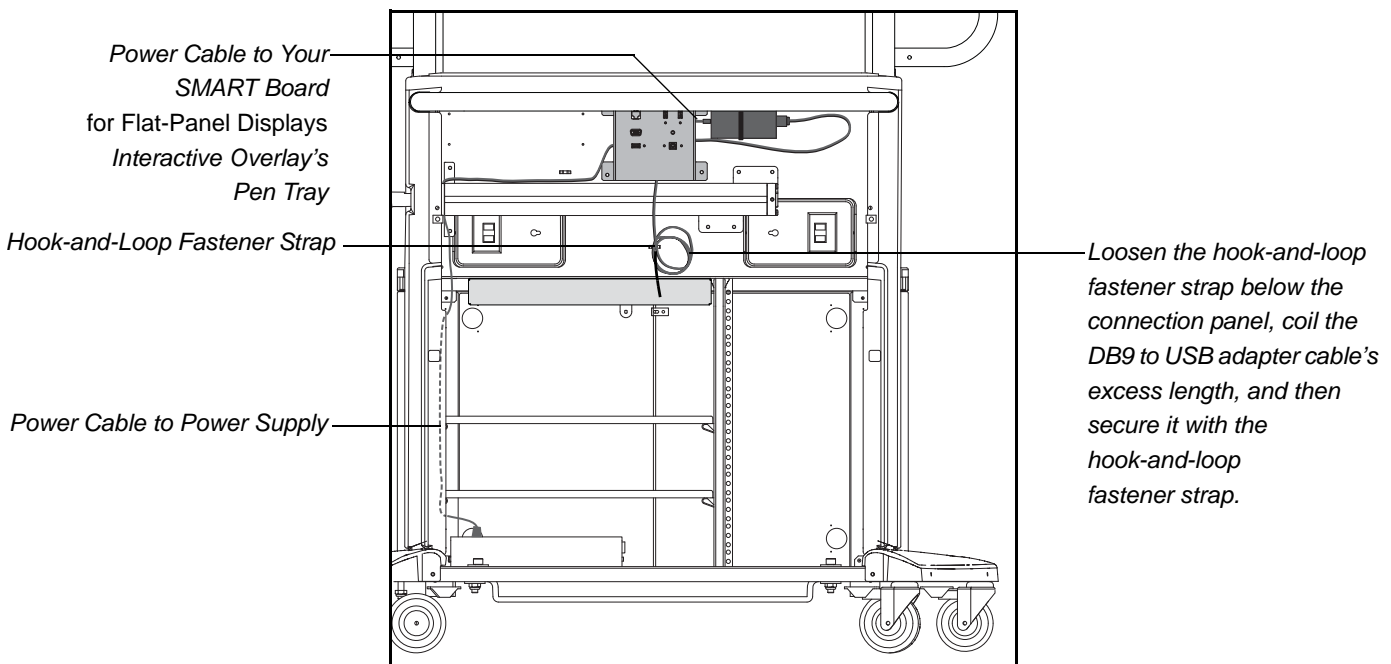
Ensure that your SMART Board interactive display frame is functioning correctly before you install the rear access panels on your SMART Mobile Stand (see page 58). Connect your SMART Mobile Stand temporarily to a power outlet while you check your interactive display frame.

Connecting Your SMART Board for Flat-Panel Displays Interactive Overlay

This section describes how to connect your SMART Board *for Flat-Panel Displays* interactive overlay to your SMART Mobile Stand (instead of directly to a computer).

Refer to the *SMART Board for Flat-Panel Displays Installation Guide: Corner Brackets* ([document 769](#) at www.smarttech.com/support) for general instructions on installing your interactive overlay on your flat-panel display.

Cable Connections to Your Interactive Overlay



To connect your interactive overlay

1. Working inside your SMART Mobile Stand's cabinet from the back, secure your interactive overlay's power supply to the two mounting holes directly to the right of the connection panel, using plastic cable ties.

IMPORTANT

Position this power supply so that the power cable is on the left side.

2. Connect the power cable and connector from this power supply to your interactive overlay's power port.

TIPS

- Route this power cable through your SMART Mobile Stand's connection panel and up the prewired cable harness.
- Leave some slack throughout the length of this cable. Don't pull it tight.

3. Connect the DB9 end of the SMART DB9 to USB adapter cable (included with your SMART Board *for Flat-Panel Displays* interactive overlay) to your pen tray.



NOTE

You already connected the other end of this cable to your SMART Hub SE240 (page 43).



TIP

- Route this adapter cable through your SMART Mobile Stand's connection panel and up the prewired cable harness, leaving some slack throughout the length of it.
 - Loosen the hook-and-loop fastener strap securing cables below the connection panel, coil the DB9 to USB adapter cable's excess length, and then secure it together with the rest of the cables with the hook-and-loop fastener strap.
4. Connect your interactive overlay's power cable (included with your interactive overlay) to the right side of its power supply.
 5. Route the power cable through the connection panel from right to left, behind the hydraulic pump and down the cabinet's rear support tube, and then connect the other end to an available receptacle on your SMART Mobile Stand's power bar.



TIP

Coil and bundle the excess cable with the included hook-and-loop fastener strap.



NOTES

- Don't connect your SMART Mobile Stand to a power outlet before you install the rear access panels (page 58).
- If you move your SMART Mobile Stand with a SMART Board *for Flat-Panel Displays* interactive overlay installed, secure the pens in the pen tray so that they don't fall out.

Completing Your Installation and Connecting Other Products to Your SMART Mobile Stand

Your SMART Mobile Stand integrates with a guest laptop computer, SMART Document Camera, SMART Response (formerly Senteo) interactive response system and other peripheral devices.

This chapter includes precautions to follow and methods to use when connecting a new device to your SMART Mobile Stand.

IMPORTANT

When connecting other SMART products to your SMART Mobile Stand, refer to the documentation included with these accessories and consult the [SMART Support website](#) for additional instructions.

Topics covered in this chapter include:

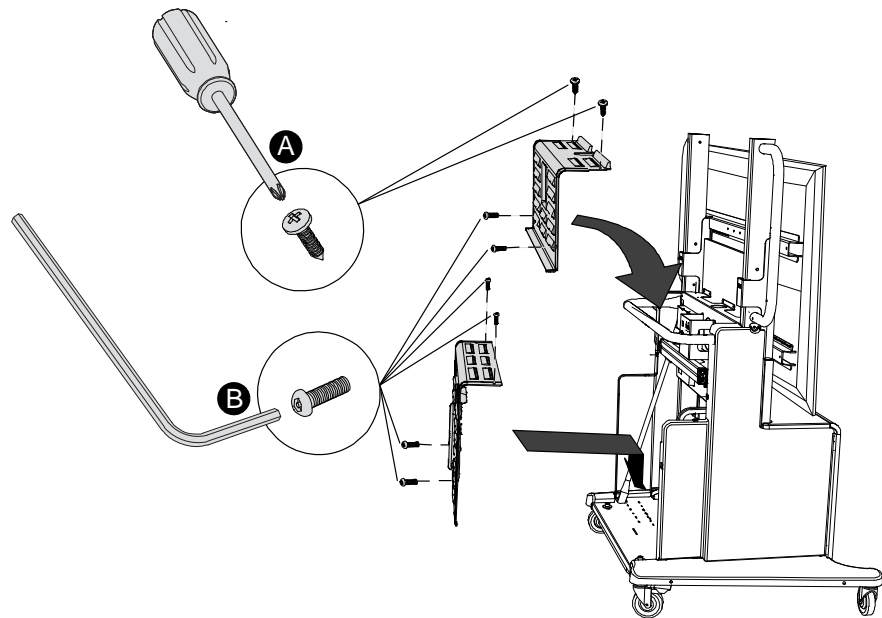
- Installing the Rear Access Panels on Your SMART Mobile Stand (page 58)
- The Connection Panel (page 59)
- Connecting a Guest Laptop Computer (page 61)
- Connecting Your SMART Document Camera (page 63)
- Connecting Your SMART Response (formerly Senteo) Interactive Response System Receiver (page 64)
- Connecting Other USB Devices (page 66)

Installing the Rear Access Panels on Your SMART Mobile Stand

After you connect your computer or SMART Hub, and perhaps your DVD/Blu-ray player or VCR, to your SMART Mobile Stand, reinstall the rear access panels on your unit.

To install the rear access panels

1. Replace the upper rear panel that you removed from your SMART Mobile Stand, secure the bottom two screws with the included security TORX® key, and then secure the top two screws with a Phillips No. 2 screwdriver.
2. Replace the lower rear panel that you removed, and then secure all four screws with the included security TORX key.



CAUTION

Take care to properly route the power cables through the two cutouts in the bottom of the lower rear panel so that you do not damage the cables.

3. Connect your SMART Mobile Stand's power cable to a power outlet.

The Connection Panel

The audiovisual connection panel on the back of your SMART Mobile Stand enables you to connect your computer to your flat-panel display. This panel also makes it easy for you to connect guest laptop computers, your SMART Document Camera, your SMART Response (formerly Senteo) interactive response system receiver and other USB devices. When you want to move your SMART Mobile Stand, you can easily disconnect cables from this panel. See starting on page 61 for details about connecting a guest laptop computer or other SMART products to your unit.

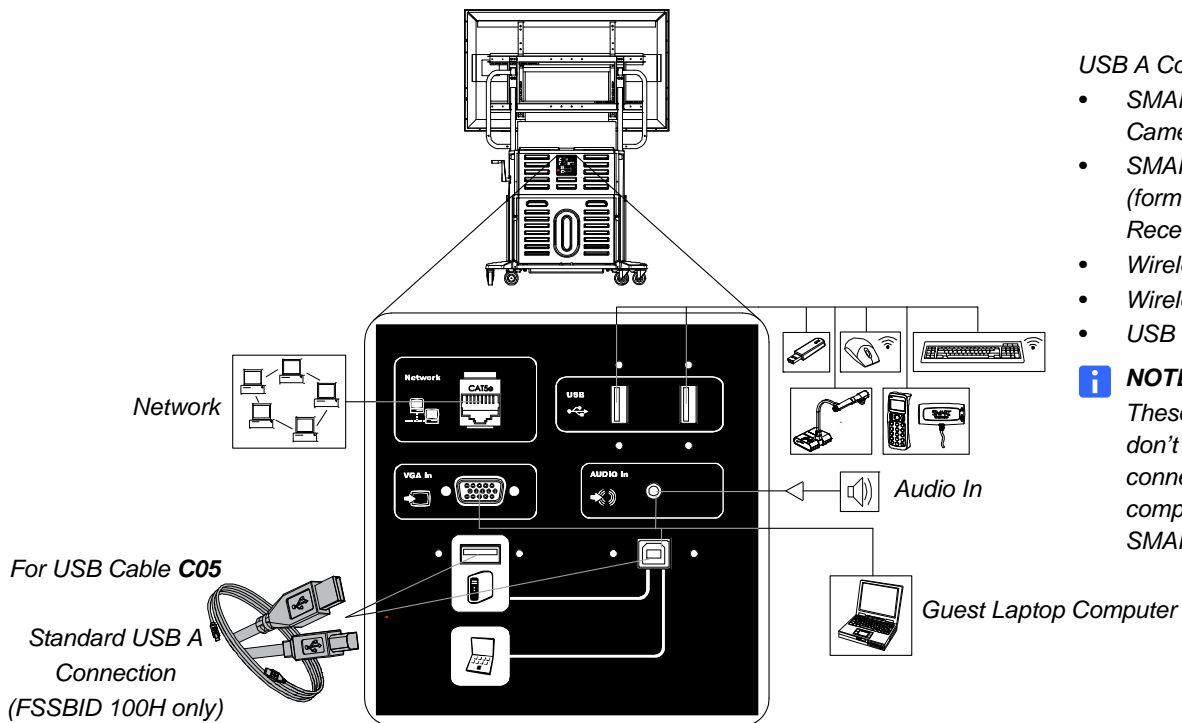
NOTES

- You must connect your SMART Mobile Stand to a computer or a SMART Hub to use all the features of the connection panel.
- You already connected both ends of the included 6' (2 m) USB A male to USB B male cable (marked **C05**) to your SMART Mobile Stand's connection panel, as instructed in the *SMART Mobile Stand for Interactive Displays Textless Installation Instructions* ([document 132293](https://www.smarttech.com/support) at www.smarttech.com/support). This external cable isn't part of your SMART Mobile Stand's prewired cable harness.

The rear connection panel includes the following inputs:

- VGA video
- 3.5 mm stereo audio
- Two (FSSBID 100) or three (FSSBID 100H) USB A connections for external devices
- One USB A (FSSBID 100 only) and one USB B connection for interactive display control
- Cat5e RJ45 network connection point (requires a computer)

Your SMART Mobile Stand's Connection Panel



USB A Connection for:

- SMART Document Camera
- SMART Response (formerly Senteo) Receiver
- Wireless Mouse
- Wireless Keyboard
- USB Storage Device

i NOTE

These USB receptacles don't work when you connect a guest laptop computer to your SMART Mobile Stand.

⚠ WARNING

- Your SMART Mobile Stand is designed to operate with a maximum power consumption of 1200 W. Exceeding this consumption could result in fire, personal injury or death.
- Ensure that any cables extending across the floor to your SMART Mobile Stand are properly bundled and marked to prevent a tripping hazard.
- Do not move your SMART Mobile Stand while external cables are connected or when the power is on.

Connecting a Guest Laptop Computer

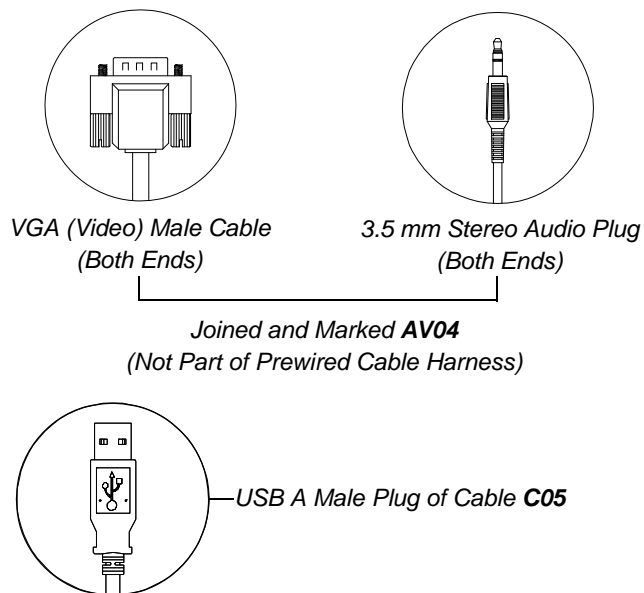
You can connect a guest laptop computer to your SMART Mobile Stand by means of your stand's connection panel.

Consult the *Laptop Shelf for SMART Mobile Stands for Interactive Displays Textless Installation Instructions* ([document 133368](http://document.133368) at www.smarttech.com/support) included with your laptop shelf for instructions on installing it on your SMART Mobile Stand.

IMPORTANT

You will not be able to use either of the adjacent vertical USB A connections (marked **USB**) or the USB receptacle marked with an image of a tower computer (FSSBID 100H only) on your SMART Mobile Stand's connection panel (see page 60) when you connect a guest laptop computer to your stand.

The following procedure refers to these cables:



To connect a guest laptop computer

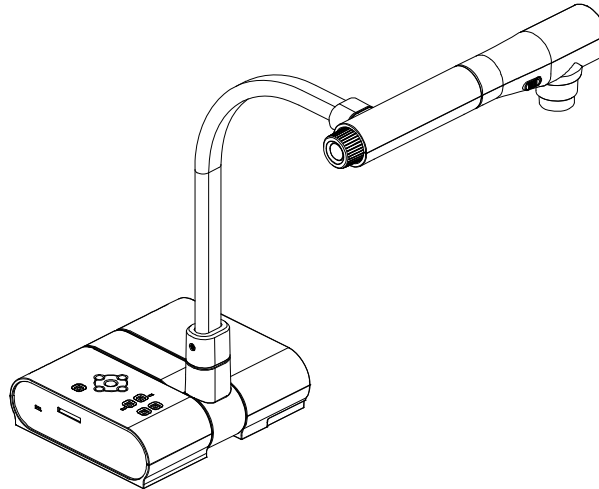
1. Connect one of the VGA video plugs from cable **AV04** to your laptop computer's video receptacle.
2. Connect the 3.5 mm stereo audio plug from the same end of cable **AV04** to your laptop computer's audio receptacle.
3. Connect the other VGA video plug from cable **AV04** to the receptacle marked **VGA In** on your SMART Mobile Stand's connection panel.
4. Connect the other 3.5 mm stereo audio plug from cable **AV04** to the receptacle marked **AUDIO In** on your SMART Mobile Stand's connection panel.
5. Disconnect cable **C05** from the USB receptacle marked with an image of a tower computer on your SMART Mobile Stand's connection panel, and then connect it to an available USB receptacle on your laptop computer.

 NOTES

- For convenience, the *SMART Mobile Stand for Interactive Displays Textless Installation Instructions* ([document 132293](http://document.132293) at www.smarttech.com/support) included with your unit instructs you to connect both ends of this USB A male to USB B male cable into your SMART Mobile Stand's connection panel.
 - For model FSSBID 100H, the USB receptacle marked with an image of a tower computer on your SMART Mobile Stand's connection panel is a standard USB A connection for an external device.
6. Set your flat-panel display's video input mode to RGB. For more information, refer to the documentation included with your flat-panel display.

Connecting Your SMART Document Camera

Your SMART Mobile Stand's rear connection panel enables you to easily connect your SMART Document Camera through a USB A connection, and then present images from your document camera on your flat panel's screen.



IMPORTANT

Connecting your SMART Document Camera to your SMART Mobile Stand as described in the following procedure enables basic document camera functionality. Refer to the *SMART Document Camera 280 Installation and User's Guide* ([document 122667](#) at www.smarttech.com/support) to learn how to use your document camera's more advanced features.

To connect your SMART Document Camera

1. Connect the USB cable (included with your SMART Document Camera) from your document camera to either of the adjacent vertical USB A connections (marked **USB**) or the USB receptacle marked with an image of a tower computer (FSSBID 100H only) on your SMART Mobile Stand's connection panel (see page 60), or to an available USB receptacle on your computer.

IMPORTANT

If you are using a guest laptop computer with your SMART Mobile Stand, you will not be able to use either of the adjacent vertical slots marked **USB** on the connection panel.

2. Connect your SMART Document Camera's power adapter to the extension cable at the rear, bottom of your SMART Mobile Stand.

NOTE

Place your SMART Document Camera on a nearby table, desk, shelf or cart so that you have sufficient room to work.

Connecting Your SMART Response (formerly Senteo) Interactive Response System Receiver

Your SMART Mobile Stand integrates with your SMART Response interactive response system through a USB A connection. Although receivers don't require an unobstructed line-of-sight transmission path—such as infrared devices require—you can operate your SMART Response receiver over longer distances if you minimize interference, signal reflections and the number and size of objects between your receiver and the clickers.

To connect your receiver

1. Position your SMART Response receiver in an unobtrusive location away from other wireless products, such as 2.4 GHz routers and cordless telephones.
 - For temporary installations, place the receiver inside or on top of your SMART Mobile Stand's cabinet.
 - For permanent installations, you can secure the receiver to the stand with two screws (not included).
 - Orient the receiver with the long side or edge facing the class, as shown.

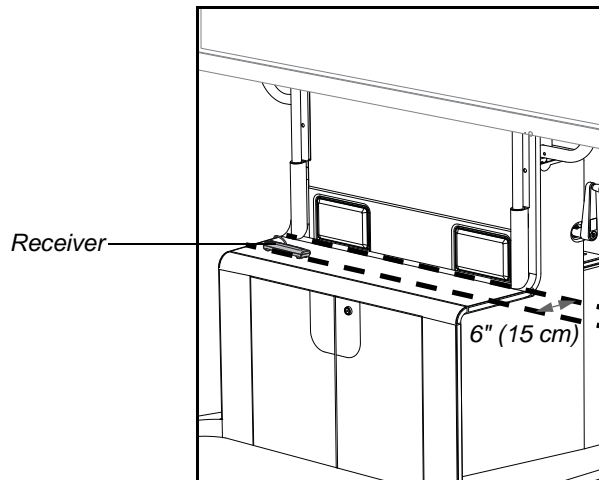
IMPORTANT

If you installed a SMART Board *for Flat-Panel Displays* interactive overlay on your SMART Mobile Stand:

- Position the outside edge of your receiver no more than 6" (15 cm) from the speaker panels so that you don't damage the receiver when you lower your interactive overlay.

OR

- Insert the included clevis pins as described on page 13 to prevent your SMART Mobile Stand from reaching its lowest position.



2. Connect your receiver's captive USB cable connector to either of the adjacent vertical USB A connections (marked **USB**) or the USB receptacle marked with an image of a tower computer (FSSBID 100H only) on your SMART Mobile Stand's connection panel (see page 60), or to an available USB receptacle on your computer.

 **IMPORTANT**

- If you are using a guest laptop computer with your SMART Mobile Stand, you will not be able to use either of the adjacent vertical USB A connections (marked **USB**) or the USB receptacle marked with an image of a tower computer (FSSBID 100H only) on your SMART Mobile Stand's connection panel (see page 60).
- Do not route the receiver's USB cable around the same side of your SMART Mobile Stand as the height-adjustment handle. This cable could get in your way while you operate the handle.
- Do not route the receiver's USB cable in any place on your SMART Mobile Stand where it could get pinched.

On Windows® computers, the *Add Hardware Wizard* appears.

On Mac computers, a balloon message appears indicating that the hardware is ready to use. The top LED indicator on the receiver turns solid red to indicate that it's receiving power.

 **NOTE**

The remaining steps apply only to Windows computers.

3. If the *Found New Hardware wizard* doesn't start automatically, click **Start > Settings > Control Panel > Add Hardware**.
4. Select **Yes, this time only**, and then click **Next**.
5. Click **Next** to start the hardware installation.
6. Click **Finish** to complete the first installation cycle.

After a short delay, the *Add Hardware Wizard* appears again.

7. Repeat steps 4 through 6.

A balloon message appears indicating that the hardware is ready to use. The top LED indicator on the receiver turns solid red to indicate that it's receiving power.

For more information about using your SMART Response (formerly Senteo) interactive response system, refer to the *SMART Response User's Guide* ([document 134078](http://www.smarttech.com/support) at www.smarttech.com/support).

Connecting Other USB Devices

Your SMART Mobile Stand integrates with USB devices, including a keyboard, mouse or USB storage device. SMART recommends that you purchase a wireless keyboard and mouse to use with your SMART Mobile Stand. These wireless devices enable greater freedom of movement while you work with your unit and interactive display. Connect them directly to the USB A receptacles on your SMART Mobile Stand's connection panel, or to an available USB receptacle on your computer.

IMPORTANT

Because of USB communication limitations, ensure that the cable connecting your USB device to your SMART Mobile Stand is not longer than 10' (3 m).

Connecting a Wired Keyboard or Mouse

If you decide to use a wired keyboard or mouse, connect these devices to either of the USB A receptacles (marked **USB**) or the USB receptacle marked with an image of a tower computer (FSSBID 100H only) on your SMART Mobile Stand's connection panel (illustrated on page 60), or to an available USB receptacle on your computer.

CAUTION

- If your wired keyboard, mouse or other USB device is damaged while it is attached to your SMART Mobile Stand, SMART assumes no responsibility and you are solely responsible for this damage.
- Your SMART Mobile Stand supports USB 2.0 compliant devices and earlier.
- You can also connect these USB devices directly to your computer. Refer to the documentation you received with your computer, keyboard or mouse for more information.

Maintaining Your SMART Mobile Stand

Your SMART Mobile Stand is durable. With proper care, it will provide years of trouble-free service. This chapter covers:

- Cleaning and Preventing Damage to Your SMART Mobile Stand (this page)
- Moving Your SMART Mobile Stand (page 68)
- Transporting Your SMART Mobile Stand (page 68)
- Contacting SMART Technical Support (page 68)

Cleaning and Preventing Damage to Your SMART Mobile Stand

CAUTION

- Do not allow liquids, spray cleaners or commercial solvents of any kind to flow into the connection panel.
- Do not attempt to service your SMART Mobile Stand. Only an authorized service provider should service your SMART Mobile Stand.

Disconnect your SMART Mobile Stand's power plug from the power outlet before cleaning the unit or if you won't be using it for a long period of time.

Use a soft cloth moistened with a mild detergent to clean the unit's housing.

If your SMART Mobile Stand requires replacement parts, make sure that the service technician uses replacement parts specified by SMART Technologies.

Moving Your SMART Mobile Stand

Your SMART Mobile Stand rolls easily on common indoor surfaces. If you experience any problems with devices shifting in the cabinet while you move your unit, use adhesive hook-and-loop fastener or two-sided tape (not included) to secure the equipment.

If you move your SMART Mobile Stand with a SMART Board *for Flat-Panel Displays* interactive overlay installed, secure the pens in the pen tray so that they don't fall out.

Transporting Your SMART Mobile Stand

Save your original SMART Mobile Stand packaging so that it's available if you need to transport your unit. When required, repack your SMART Mobile Stand with as much of the original packaging as possible. This packaging was designed with optimal shock and vibration protection.

If your original packaging is no longer available, you may purchase replacement packaging from your [authorized SMART reseller](#).

If you prefer to use your own packaging materials, make sure that you adequately protect the unit. Ship your SMART Mobile Stand in an upright position to discourage shippers from placing heavy objects on it.

Contacting SMART Technical Support

See *Customer Support* on page 87 for information on contacting SMART Technical Support.

Before contacting SMART Technical Support, make note of your SMART Mobile Stand's serial number, and then note it in the inside cover of this manual (if you printed it).

To determine your SMART Mobile Stand's serial number

The serial number for your SMART Mobile Stand is located on the back, right-hand side of your unit's speaker panel, near the top. The serial number has a five-digit numeric format, for example, FSSBID1-R2-00000 (for FSSBID 100 models) or FSSBID1H-R2-00000 (for FSSBID 100H models).

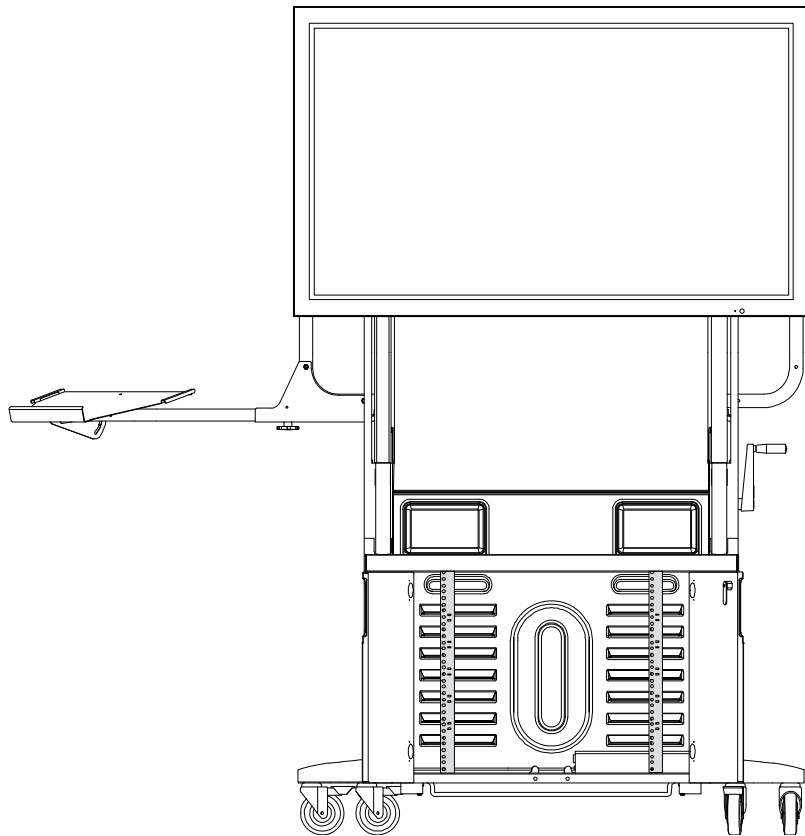
Appendix A

Configuring a Rack Mount

Although your SMART Mobile Stand comes configured for shelving, it can also accommodate an optional 19" (48 cm) rack mount configuration.

i NOTE

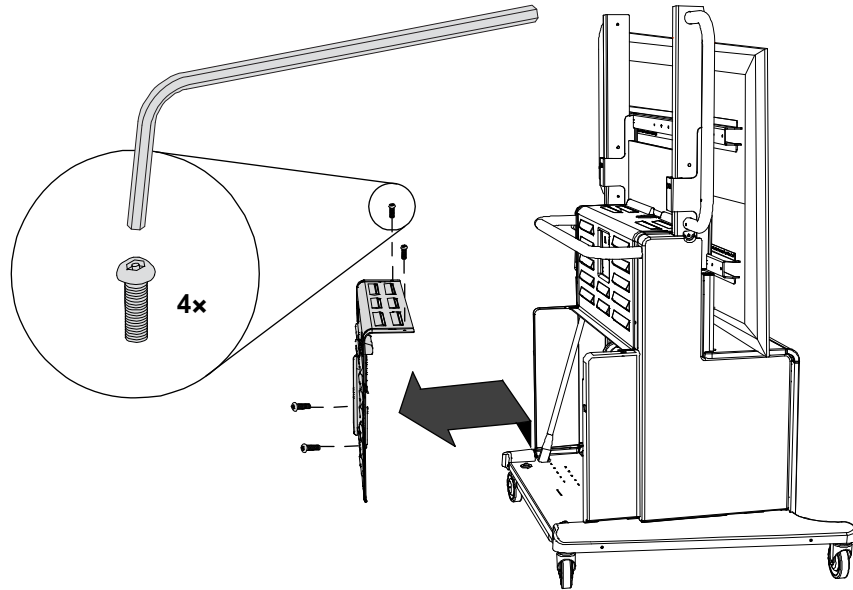
If you want to configure your SMART Mobile Stand for a rack mount, you can purchase a hardware accessory kit, which includes 16 rack clips, from your [authorized SMART reseller](#).



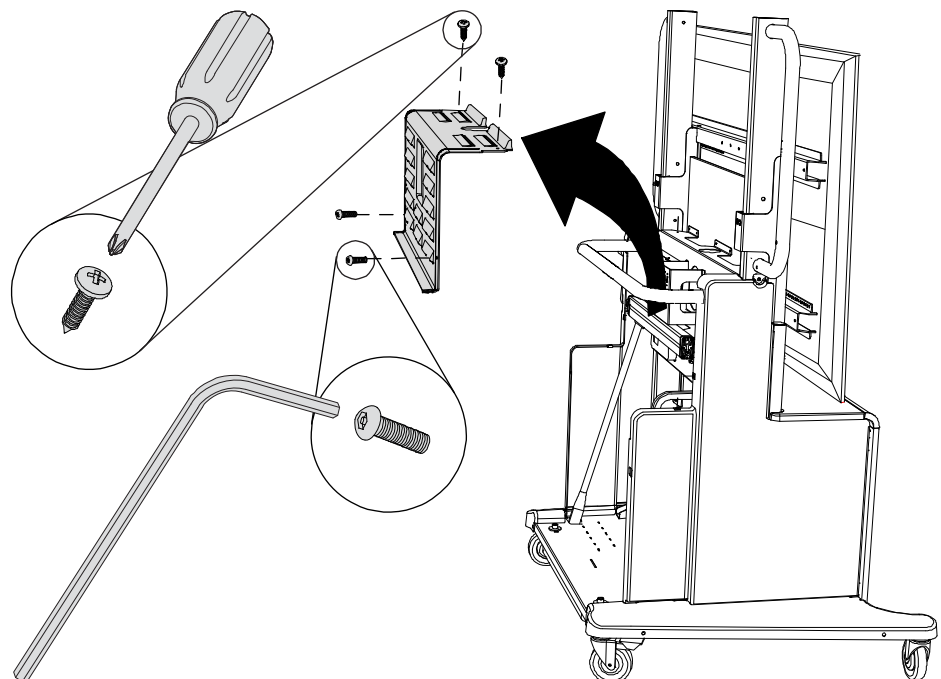
*SMART Mobile Stand from the Front with Doors Open
Showing Rack Mount Configuration*

**To remove the shelving
and rear support tube**

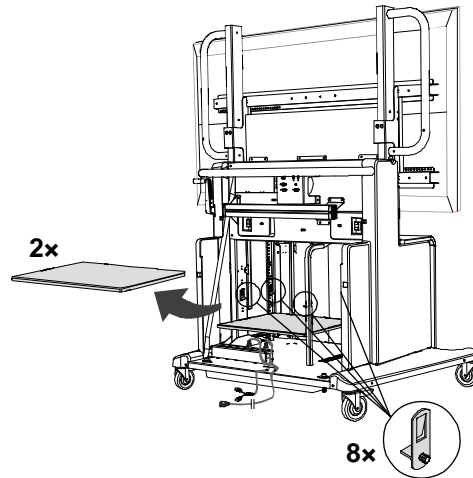
1. Remove the four screws in the lower rear panel of your SMART Mobile Stand with the included security TORX key, and then remove the panel. Keep these screws nearby.



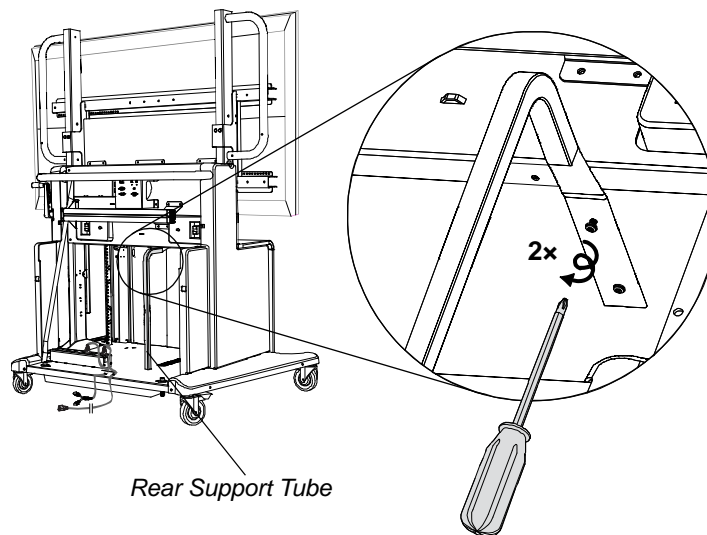
2. Remove the top two screws in the upper rear panel with a Phillips No. 2 screwdriver. Keep these screws nearby.
3. Remove the bottom two screws in the upper rear panel with the included security TORX key, and then remove the panel. Keep these screws nearby.



- Remove the two installed shelves from the cabinet, and then remove the eight shelf clips.



- Locate the cabinet's rear support tube, remove the two screws in the flange at the top, and then lift the tube at a slight angle to detach and remove it from the base of the unit.

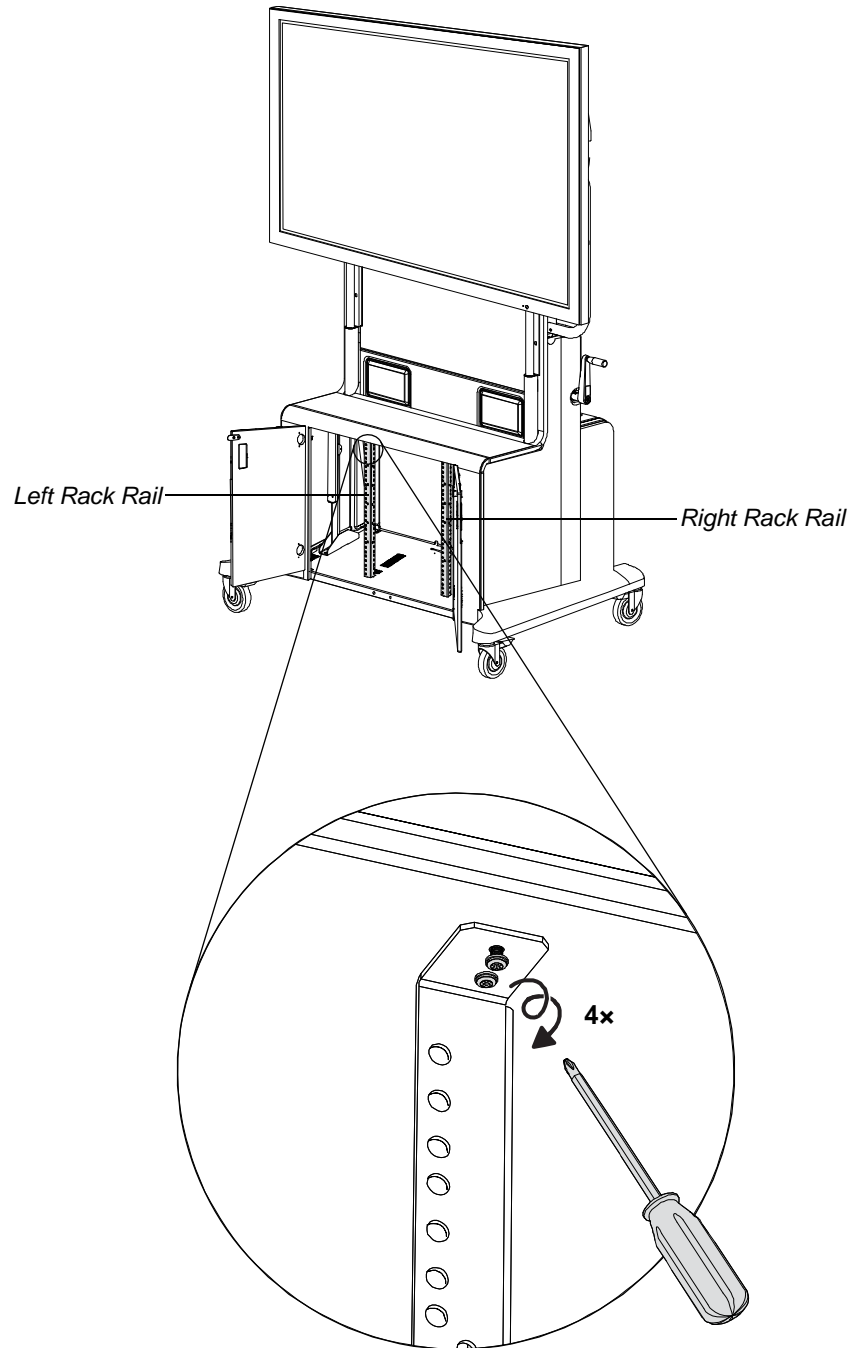


i NOTE

You may need to detach some cables to remove this support tube. After you finish configuring your SMART Mobile Stand to accommodate a rack mount, attach these cables again.

To configure a rack mount

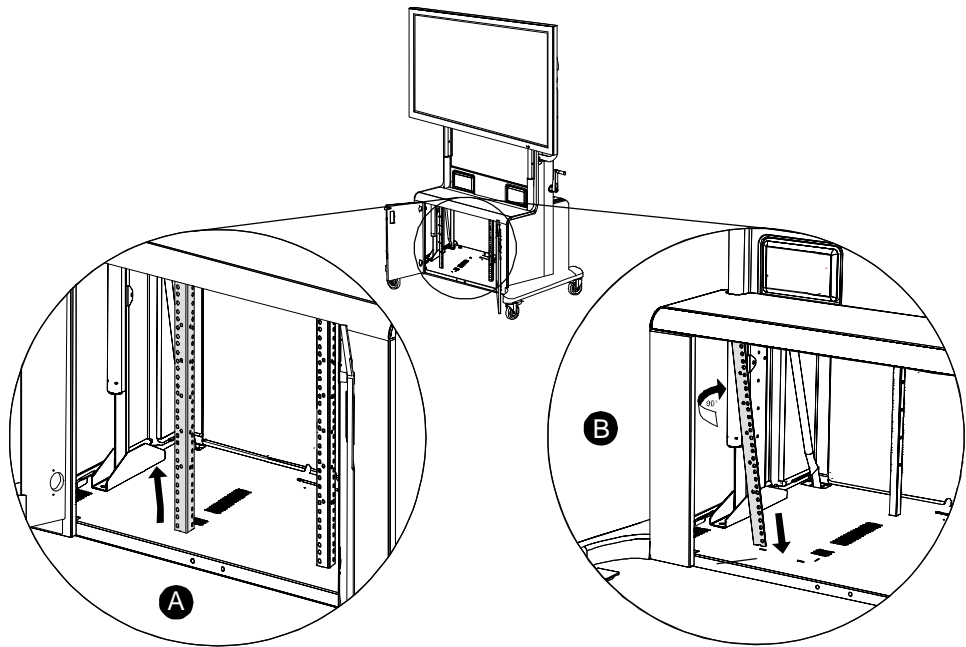
1. Open the doors of your SMART Mobile Stand's cabinet.
2. Locate the left and right front rack rails, and then remove the two screws in the flange at the top of each rail. Keep these screws nearby.



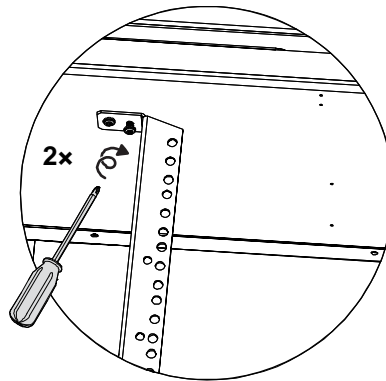
- Lift the left rack rail at a slight angle to detach it from the base, rotate it 90° clockwise, and then insert the rail at a slight angle into the rack mount slots further to the left.

**NOTE**

The rack mount slots in the bottom of the cabinet will align the rail properly.



- Straighten the rack rail, aligning the holes in the flange at the top of the rail to the pilot holes in the cabinet's top panel, and then secure the rail with two of the screws that you removed in step 2.



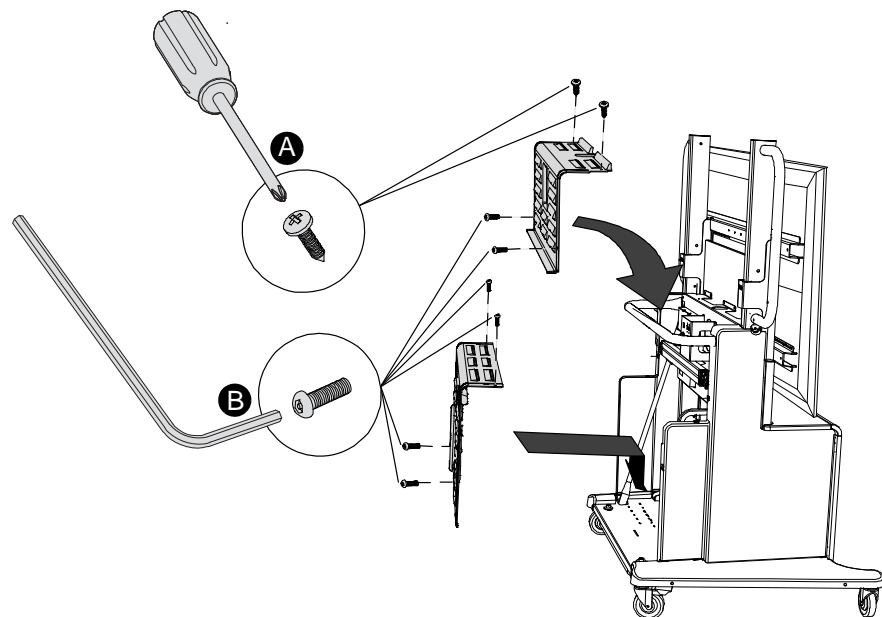
5. Repeat steps 3 and 4 for the right rack rail, except rotate the rail counter-clockwise before inserting it into the rack mount slots.
6. Secure each set of four rack mount clips (included in your rack mount hardware accessory kit) at the desired height for each rack.

i NOTE

Install a SMART Hub SE240 in the second highest rack mount position.

To replace the rear access panels

1. Replace the upper rear panel that you removed from your SMART Mobile Stand, secure the bottom two screws with the included security TORX key, and then secure the top two screws with a Phillips No. 2 screwdriver.
2. Replace the lower rear panel that you removed, and then secure all four screws with the included security TORX key.



⚠ CAUTION

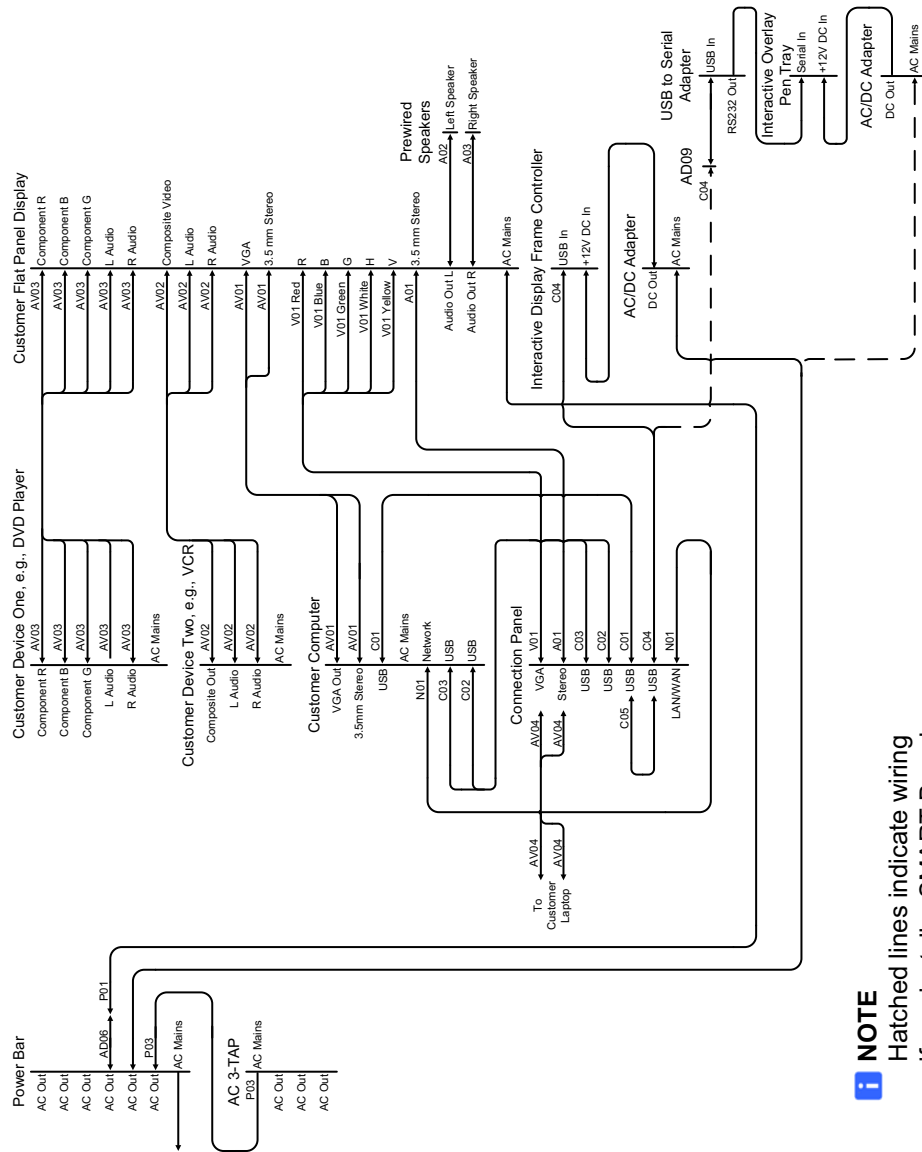
Take care to properly route the power cables through the two cutouts in the bottom of the lower rear panel so that you do not damage the cables.

Appendix B

SMART Mobile Stand

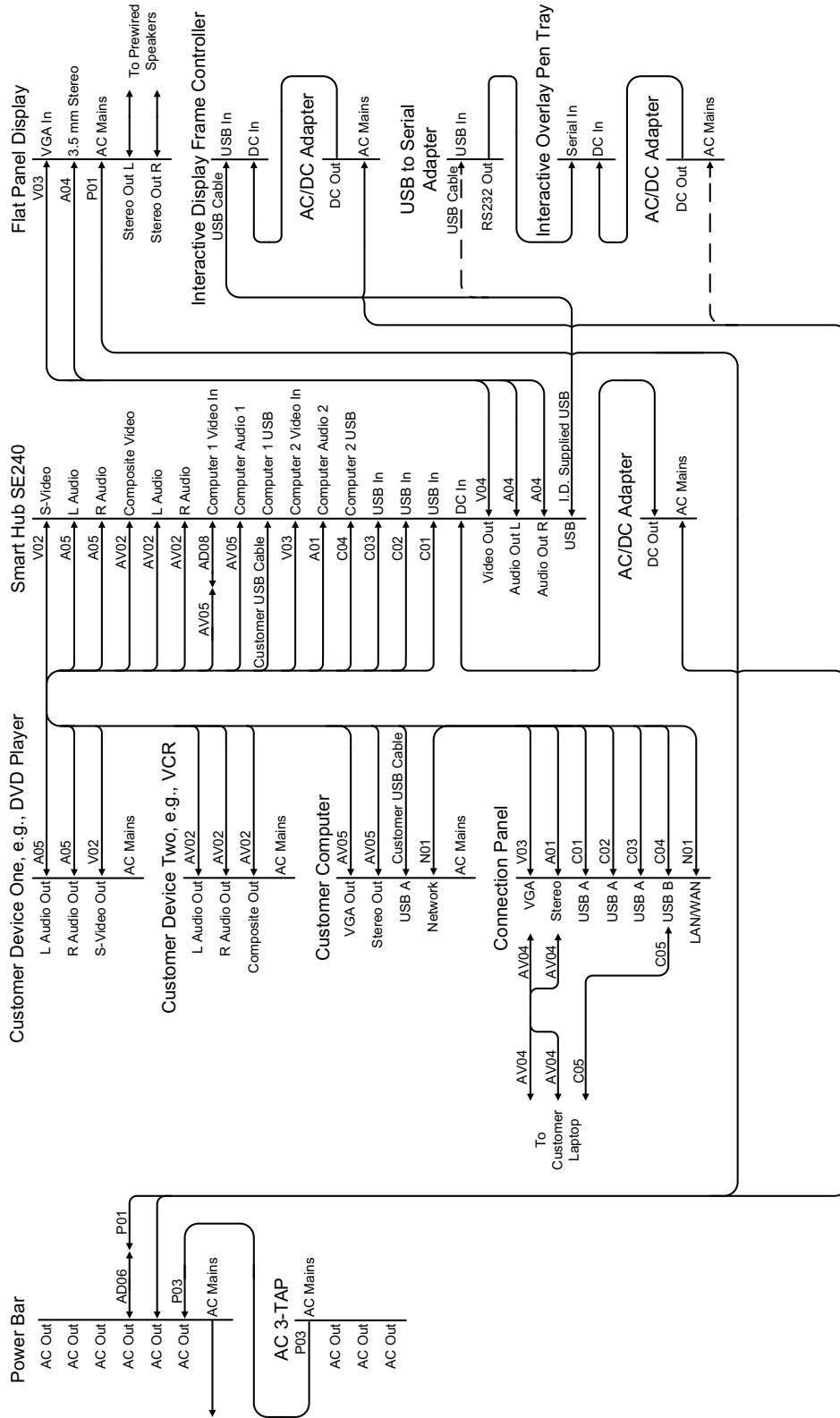
Running Diagrams

FSSBID 100 (North America)



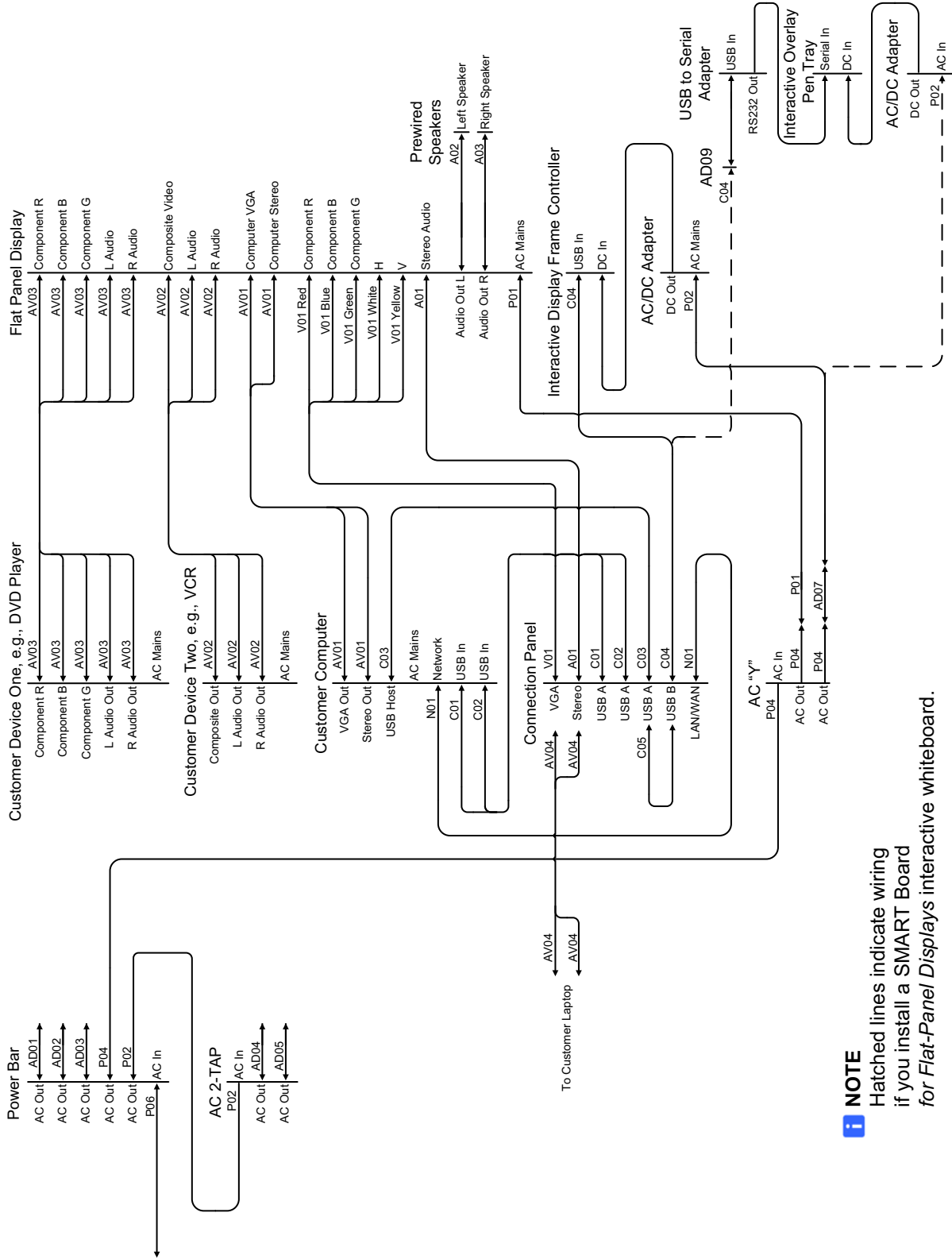
NOTE
Hatched lines indicate wiring if you install a SMART Board for Flat-Panel Displays interactive whiteboard.

FSSBID 100H (North America)



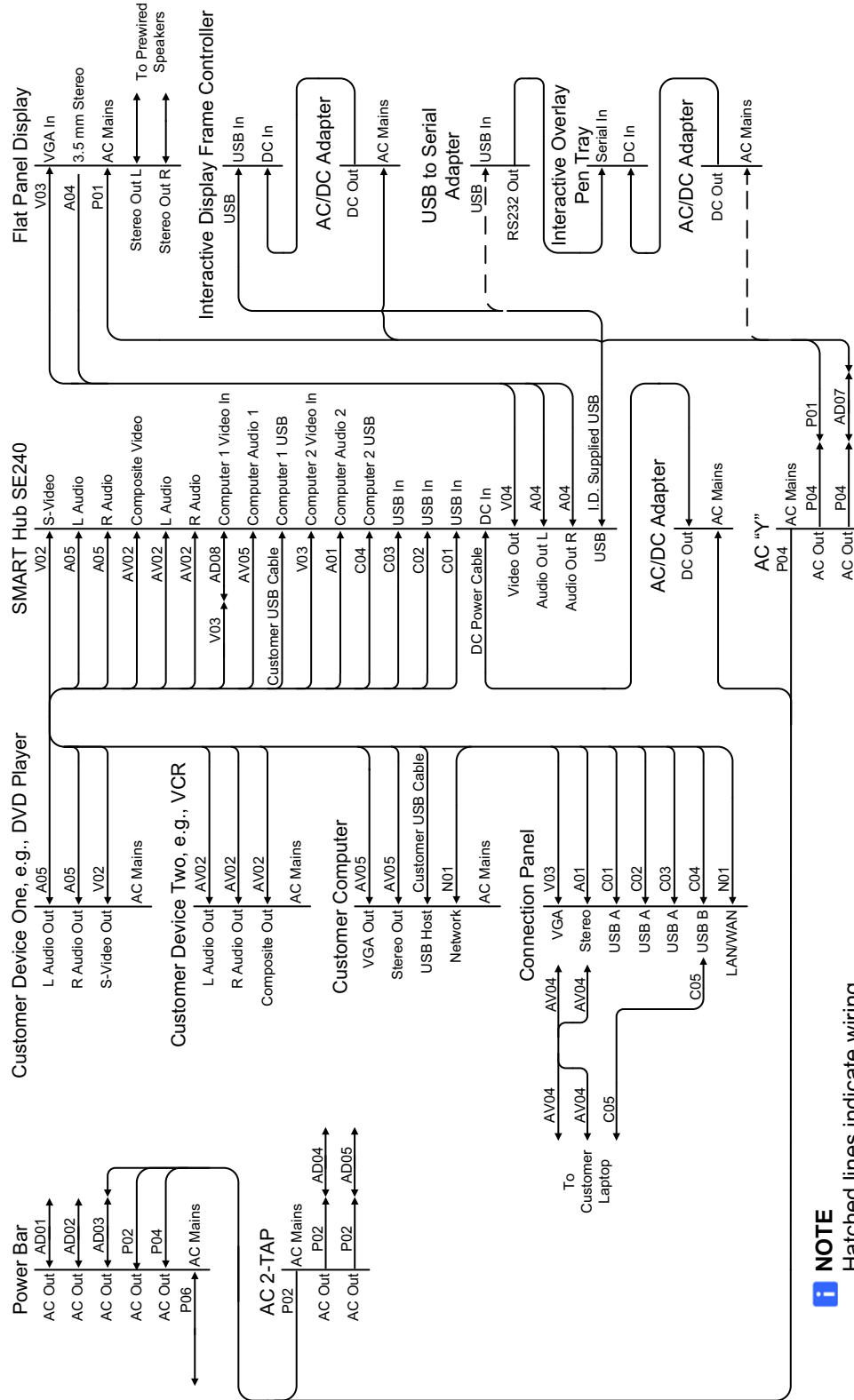
NOTE Hatched lines indicate wiring if you install a SMART Board for Flat-Panel Displays interactive whiteboard.

FSSBID 100 (International)



i NOTE Hatched lines indicate wiring if you install a SMART Board for Flat-Panel Displays interactive whiteboard.

FSSBID 100H (International)



NOTE

Hatched lines indicate wiring if you install a SMART Board for Flat-Panel Displays interactive whiteboard.

Cable Descriptions

● Used on This Model

NA North American Model

INT International Model

IO Required for Interactive Overlays

Cable	From	To	Description	Length	SMART Part No.	NA (100)	INT (100)	NA (100H)	INT (100H)
Audio/Video									
AV01	Computer	Flat-Panel Display	VGA Male + 3.5 mm Male to VGA Male + 3.5 mm Male	10' (3 m)	93-00683-20	●	●		
AV02	Device Two, e.g., VCR	Flat-Panel Display / SMART Hub SE240	Three-Plug RCA Male to Three-Plug RCA Male	8' (2.4 m)	93-00685-20	●	●	●	●
AV03	Device One, e.g., DVD / Blu-ray Player	Flat-Panel Display	Five-Plug RCA Male to Five-Plug RCA Male	8' (2.4 m)	93-00684-20	●	●		
AV04	Laptop	Connection Panel	VGA Male + 3.5 mm Male to VGA Male + 3.5 mm Male	6' (1.8 m)	93-00699-20	●	●	●	●
AV05	Computer	SMART Hub SE240 / AD08	VGA Male + 3.5 mm Male to VGA Male + 3.5 mm Male	6' (1.8 m)	93-00699-20			●	●
Audio									
A01	Connection Panel	Flat-Panel Display / SMART Hub SE240	3.5 mm Stereo Female Chassis to 3.5 mm Male	6' (1.8 m)	93-00681-20	●	●	●	●
A02	Flat-Panel Display	Speaker	16 AWG Speaker Cable	8 1/2' (2.6 m)	93-00686-20	●	●	●	●
A03	Flat-Panel Display	Speaker	16 AWG Speaker Cable	8 1/2' (2.6 m)	93-00689-20	●	●	●	●
A04	SMART Hub SE240	Flat-Panel Display	Two-Plug RCA Male to 3.5 mm Male	6' (1.8 m)	93-00513-20			●	●
A05	Device One, e.g., DVD/ Blu-ray Player	SMART Hub SE240	Two-Plug RCA Male to Two-Plug RCA Male	6' (1.8 m)	93-00139-20			●	●

Cable	From	To	Description	Length	SMART Part No.	NA (100)	INT (100)	NA (100H)	INT (100H)
Video									
V01	Connection Panel	Flat-Panel Display	VGA Female Chassis to Five Plug BNC RGBHV Male	6' (1.8 m)	93-00680-00	●	●		
V02	Device One, e.g., DVD / Blu-ray Player	SMART Hub SE240	S-Video Male to S-Video Male	6' (1.8 m)	93-00202-20			●	●
V03	SMART Hub SE240	Connection Panel	DVI Male to VGA Female Chassis	6' (1.8 m)	93-00608-20			●	●
V04	SMART Hub SE240	Flat-Panel Display	DVI Male to VGA Male	6' (1.8 m)	93-00530-00			●	●
Control									
C01	Computer / SMART Hub SE240	Connection Panel	USB A Male to USB A Female Chassis	6' (1.8 m)	93-00677-20	●	●	●	●
C02	Computer / SMART Hub SE240	Connection Panel	USB A Male to USB A Female Chassis	6' (1.8 m)	93-00687-20	●	●	●	●
C03	Computer / SMART Hub SE240	Connection Panel	USB A Male to USB A Female Chassis	6' (1.8 m)	93-00688-20	●	●	●	●
C04	Connection Panel (Touch)	AD09 / Interactive Display Frame Controller / SMART Hub SE240	USB B Female Chassis to USB B Male	20" (51 cm)	93-00679-20	●	●	●	●
C05	Laptop	Connection Panel	USB A Male to USB B Male	6' (1.8 m)	93-00678-20	●	●	●	●
Network									
N01	Connection Panel	Computer / SMART Hub SE240	Cat5e RJ45 Male to Cat5e RJ45 Male	4' (1.2 m)	93-00682-20	●	●	●	●
Adapters									
AD01	Power Bar		IEC Male to Country Specific Female	N/A	Various		●		●
AD02	Power Bar		IEC Male to Country Specific Female	N/A	Various		●		●
AD03	Power Bar		IEC Male to Country Specific Female	N/A	Various		●		●
AD04	AC "Y"		IEC Male to Country Specific Female	N/A	Various		●		●

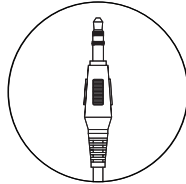
Cable	From	To	Description	Length	SMART Part No.	NA (100)	INT (100)	NA (100H)	INT (100H)
AD05	AC "Y"		IEC Male to Country Specific Female	N/A	Various		●		●
AD06	Power Bar	P01	IEC Male to NEMA	N/A	93-00700-20	●		●	
AD07	P04	Interactive Overlay or Interactive Display Frame	IEC Male to Country Specific Female	N/A	Various		●		●
AD08	AV05	SMART Hub SE240	VGA Female to DVI-A Male	N/A	93-00528-20			●	●
AD09	C04	Interactive Overlay's USB to Serial Adapter	USB B Female to USB A Female	N/A	93-00698-20	IO	IO		
Power									
P01	AD06 or P02	Flat-Panel Display	IEC-C14 to IEC-C13	13' (4 m)	93-00705-20	●	●	●	●
P02	IEC / NEMA Power Bar	P01 or SE240	IEC-C14 to Two-Plug IEC-C13 "Y"	3' (91 cm)	93-00693-20		●		●
P03	Power Bar		NEMA Male to Three-Way NEMA Female	2' (60 cm)	93-00691-20	●		●	
P04	Power Bar	AD04 and AD05	IEC-C14 to Two-Plug IEC-C13 "Y"	N/A	93-00706-20		●		●
P06	AC Mains	IEC Power Bar	Country Specific to IEC-C13	8' (2.4 m)	Various		●		●
Power Distribution									
NEMA			NEMA AC Power Distribution Strip		93-00690-20	●		●	
IEC			IEC AC Power Distribution Strip		93-00692-20		●		●

* See page 82 for country-specific power adapters.

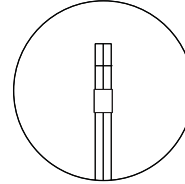
Country-Specific Power Adapters

Country	SMART Adapter Part No.
Australia	93-00587-20
Bahrain	93-00586-20
China	93-00707-20
Finland	93-00584-20
France	93-00584-20
Germany	93-00584-20
Iran	93-00584-20
Iraq	93-00586-20
Japan	93-00606-20
Korea	93-00584-20
Netherlands	93-00584-20
Norway	93-00584-20
Oman	93-00586-20
Spain	93-00584-20
United Arab Emirates	93-00586-20
United Kingdom	93-00586-20

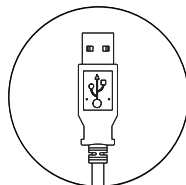
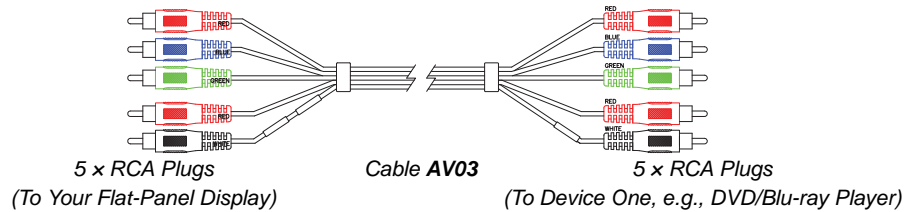
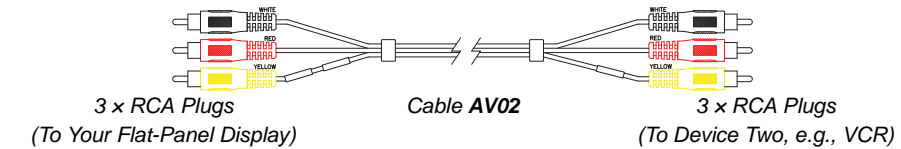
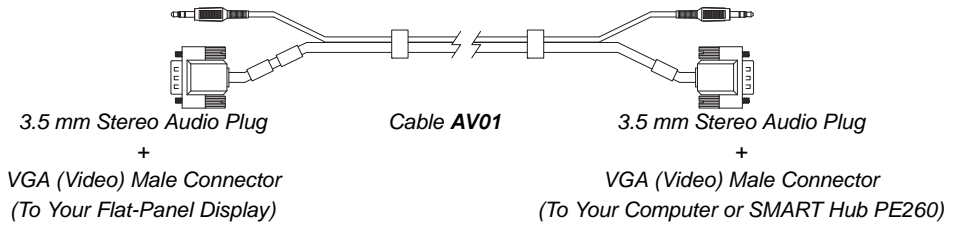
FSSBID 100 Cable Graphics



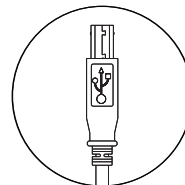
Cable A01
3.5 mm Stereo Audio Plug
(To the Connection Panel)



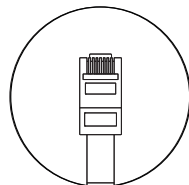
Cables A02 and A03
Speaker Wires
(To Your Flat-Panel Display)



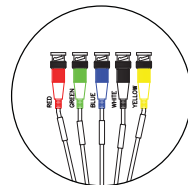
Cables C01, C02 and C03
USB A Male Plugs
(To Your Computer or SMART Hub PE260)



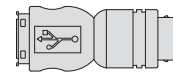
Cable C04
USB B Male Plug
(To Your Interactive Display Frame or AD09)



Cable N01
RJ45 Male Connector
(To Your Computer)

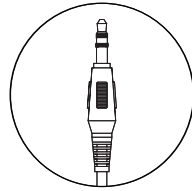


Cable V01
5 x BNC (RGB HV)
(To Your Flat-Panel Display)

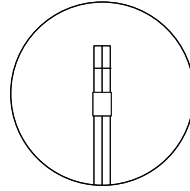


Adapter AD09
USB A Female to
USB B Female
(Part No. ADP USB AB,
Sold Separately)

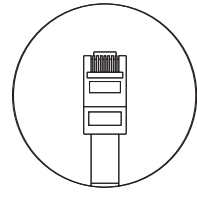
FSSBID 100H Cable Graphics



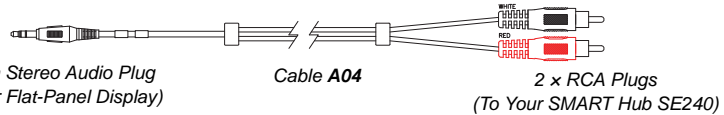
Cable A01
3.5 mm Stereo Audio Plug
(To Your Flat-Panel Display)



Cables A02 and A03
Speaker Wires
(To Your Flat-Panel Display)



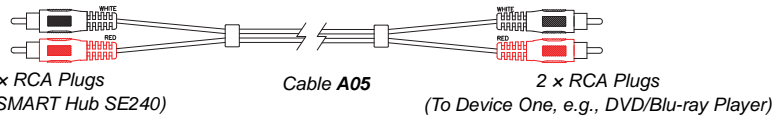
Cable N01
RJ45 Male Connector
(To Your SMART Hub SE240)



3.5 mm Stereo Audio Plug
(To Your Flat-Panel Display)

Cable A04

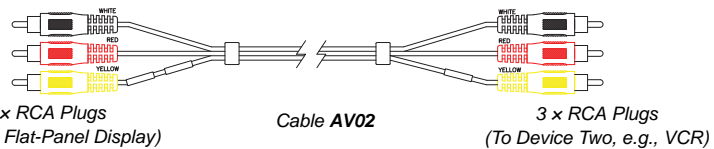
2 x RCA Plugs
(To Your SMART Hub SE240)



2 x RCA Plugs
(To Your SMART Hub SE240)

Cable A05

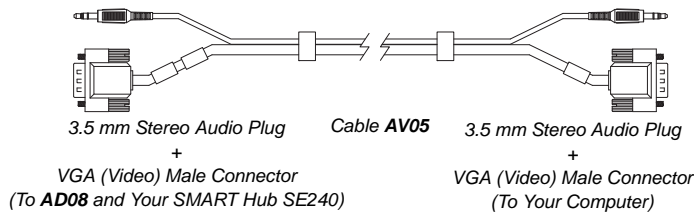
2 x RCA Plugs
(To Device One, e.g., DVD/Blu-ray Player)



3 x RCA Plugs
(To Your Flat-Panel Display)

Cable AV02

3 x RCA Plugs
(To Device Two, e.g., VCR)



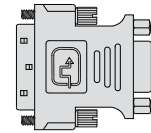
3.5 mm Stereo Audio Plug

Cable AV05

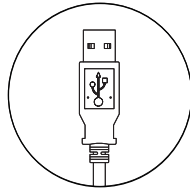
3.5 mm Stereo Audio Plug

+
VGA (Video) Male Connector
(To AD08 and Your SMART Hub SE240)

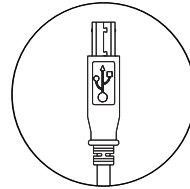
+
VGA (Video) Male Connector
(To Your Computer)



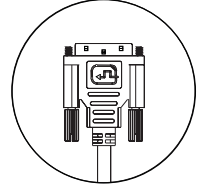
Adapter AD08
DVI Male to VGA Female
(Included with Your SMART Hub SE240)



Cables C01, C02 and C03
USB A Male Plugs
(To Your SMART Hub SE240)



Cable C04
USB B Male Plug
(To Your SMART Hub SE240)



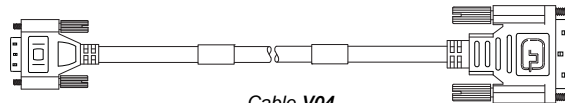
Cable V03
DVI Male Connector
(To Your SMART Hub SE240)



S-Video Male Connector
(To Your SMART Hub SE240)

Cable V02

S-Video Male Connector
(To Device One, e.g., DVD/Blu-ray Player)



VGA Male Connector
(To Your Flat-Panel Display)

Cable V04

DVI Male Connector
(To Your SMART Hub SE240)

Appendix C

Hardware Environmental Compliance

SMART Technologies supports global efforts to ensure that electronic equipment is manufactured, sold and disposed of in a safe and environmentally friendly manner.

Waste Electrical and Electronic Equipment Regulations (WEEE Directive)

Waste Electrical and Electronic Equipment regulations apply to all electrical and electronic equipment sold within the European Union.

When you dispose of any electrical or electronic equipment, including SMART Technologies products, we strongly encourage you to properly recycle the electronic product when it has reached end of its life. If you require further information, please contact your reseller or SMART Technologies for information on which recycling agency to contact.

Restriction of Certain Hazardous Substances (RoHS Directive)

This product meets the requirements of the European Union's Restriction of Certain Hazardous Substances (RoHS) Directive 2002/95/EC.

Consequently, this product also complies with other regulations that have arisen in various geographical areas, and that reference the European Union's RoHS directive.

Packaging

Many countries have regulations restricting the use of certain heavy metals in product packaging. The packaging used by SMART Technologies to ship products complies with applicable packaging laws.

Covered Electronics Devices

Many U.S. states classify monitors as Covered Electronic Devices and regulate their disposal. Applicable SMART Technologies products meet the requirements of the Covered Electronic Devices regulations.

China's Electronic Information Products Regulations

China regulates products that are classified as EIP (Electronic Information Products). SMART Technologies products fall under this classification and meet the requirements for China's EIP regulations.

U.S. Consumer Product Safety Improvement Act

The United States has enacted the *Consumer Product Safety Improvement Act* which limits the lead (Pb) content in products. SMART Technologies is committed to complying with this initiative.

Appendix D

Customer Support

Online Information and Support

Visit www.smarttech.com/support to view and download user's guides, how-to and troubleshooting articles, software and more.

Training

Visit www.smarttech.com/trainingcenter for training materials and information about our training services.

Technical Support

If you experience difficulty with your SMART product, please contact your local reseller before contacting SMART Technical Support. Your local reseller can resolve most issues without delay.

NOTE

To locate your local reseller, visit www2.smarttech.com/st/en-US/Where+to+Buy.

All SMART products include online, telephone, fax and e-mail support:

Online	www.smarttech.com/contactsupport
Telephone	+1.403.228.5940 or Toll Free 1.866.518.6791 (U.S./Canada) (Monday to Friday, 5 a.m. – 6 p.m. Mountain Time)
Fax	+1.403.806.1256
E-mail	support@smarttech.com

Shipping and Repair Status

Contact SMART's Return of Merchandise Authorization (RMA) group, Option 5, +1.866.518.6791, for shipping damage, missing part and repair status issues.

General Inquiries

Address SMART Technologies
3636 Research Road NW
Calgary, AB T2L 1Y1
CANADA

Switchboard +1.403.245.0333 or
Toll Free 1.888.42.SMART (U.S./Canada)

Fax +1.403.228.2500

E-mail info@smarttech.com

Warranty

Product warranty is governed by the terms and conditions of SMART's "Limited Equipment Warranty" that shipped with the SMART product at the time of purchase.

Registration

To help us serve you, register online at www.smarttech.com/registration.

Index

A

- accessories, 8
- adapter kit, 8
- adjusting shelving, 14
- assembly, 9, 11, 12
 - quality, 10
- audio, 2

B

- Blu-ray player, 25, 48
 - connecting, 26, 48
 - HDMI cable (not included), 25, 48
 - installation, 25, 48

C

- cable graphics
 - model FSSBID 100, 83
 - model FSSBID 100H, 84
- cable harness, 17
 - safety, 12
- cable management, 2
- Chinese regulations, 86
- cleaning, 67
- clevis pin, 13
- computer, 7, 21, 46
 - connecting, 22, 47
 - laptop, 61
 - USB hub required, 22
- connecting
 - laptop, 61
 - Senteo interactive response system, 64
 - SMART Document Camera, 63
 - SMART Hub PE260, 23
 - SMART Hub SE240, 43

- connection panel, 59
 - illustration, 60
- connections
 - laptop, 61
- Consumer Product Safety Improvement Act*, 86
- contact information, 88
- covered electronic devices, 86
- customer support, 87–88

D

- documentation, 87
- dust, 10
- DVD player, 25, 48
 - connecting, 26, 48
 - installation, 25, 48

E

- EIP regulations, 86
- emissions, 10
- environment
 - dust, 10
 - emissions, 10
 - humidity, 10
- environmental compliance, *See* hardware environmental compliance
- European Union regulations, 85

F

- features, 2
- finish, 2
- flammability, 10
- flat-panel adapter kit, 8

flat-panel display
 65", 13
 connections, 17, 18, 19, 41, 42
 flat-panel displays - supported, 1
 fluid resistance, 10

G

general inquiries, 88

H

hardware, 7
 hardware environmental compliance,
 85–86
 HDMI cable, 25, 48
 height adjustment, 2

I

inquiries, 88
 installation, 9, 11, 12, 13
 rear access panels, 58
 integration, 59

K

keyboard, 66

L

laptop computer
 connecting, 61
 laptop shelf, 8
 Limited Equipment Warranty, 88

M

maintenance, 67
 mobility, 2, 68
 mouse, 66

N

network, 7

O

online support, 87

P

packaging, 68, 85
 power management, 2
 power specifications, 7, 60
 product features, 2
 product integration, 59

Q

quality, 10

R

rack mount
 configuring, 69
 rack mount hardware accessory kit, 8, 69
 rear access panels, 58
 installing, 58
 removing, 70
 registration, 88
 regulatory compliance, See hardware
 environmental compliance
 replacement parts, 67
 RoHS directive, 85
 running diagram
 table, 85

S

security, 2
 Senteo interactive response system, 64
 servicing, 2
 shelving, 14
 shipping, 68

SMART Board for Flat-Panel Displays
interactive overlay

- cable routing (illustration), 33, 55
- connecting, 32, 55

SMART Board for flat-panel displays

interactive overlay

- adapter, 32

SMART Board for Flat-Panel Displays

interactive overlay adapter kit, 8

SMART Board interactive display frame

- cable routing (illustration), 31, 53
- connecting, 28, 50

SMART Document Camera, 63

SMART Hub PE260, 23

- cable connections (illustration), 24
- connecting, 23

SMART Hub SE240, 23

- connecting, 43

- installation, 38

SMART Mobile Stand, 1, 2

SMART Technical Support, 87

SMART technical support, 68

stability, 2

support, 87–88

supported flat-panel displays, 1

T

Technical Support, 87

temperature

- operating, 10

- storage, 10

training, 87

transporting, 68

troubleshooting articles, 87

U

U.S. regulations, 86

USB cable, 21

USB devices, 66

USB flash drive, 66

USB hub, 22

USB key, 66

user's guides, 87

V

VCR, 25, 48

- connecting, 27, 49

- installation, 25, 48

W

warranty, 88

water resistance, 10

WEEE directive, 85

SMARTTM

Toll Free 1.866.518.6791 (U.S./Canada)
or +1.403.228.5940
www.smarttech.com

99-00962-20 REV C0

Free Manuals Download Website

<http://myh66.com>

<http://usermanuals.us>

<http://www.somanuals.com>

<http://www.4manuals.cc>

<http://www.manual-lib.com>

<http://www.404manual.com>

<http://www.luxmanual.com>

<http://aubethermostatmanual.com>

Golf course search by state

<http://golfingnear.com>

Email search by domain

<http://emailbydomain.com>

Auto manuals search

<http://auto.somanuals.com>

TV manuals search

<http://tv.somanuals.com>