



3COM

**SuperStack® 3**  
Switch 4400  
Getting Started Guide

3C17203  
3C17204

<http://www.3com.com/>

Part No. DUA1720-3AAA02  
Published August 2001

**3Com Corporation**  
**5400 Bayfront Plaza**  
**Santa Clara, California**  
**95052-8145**

Copyright © 2001, 3Com Technologies. All rights reserved. No part of this documentation may be reproduced in any form or by any means or used to make any derivative work (such as translation, transformation, or adaptation) without written permission from 3Com Technologies.

3Com Technologies reserves the right to revise this documentation and to make changes in content from time to time without obligation on the part of 3Com Technologies to provide notification of such revision or change.

3Com Technologies provides this documentation without warranty, term, or condition of any kind, either implied or expressed, including, but not limited to, the implied warranties, terms or conditions of merchantability, satisfactory quality, and fitness for a particular purpose. 3Com may make improvements or changes in the product(s) and/or the program(s) described in this documentation at any time.

If there is any software on removable media described in this documentation, it is furnished under a license agreement included with the product as a separate document, in the hard copy documentation, or on the removable media in a directory file named LICENSE.TXT or !LICENSE.TXT. If you are unable to locate a copy, please contact 3Com and a copy will be provided to you.

#### **UNITED STATES GOVERNMENT LEGEND**

*If you are a United States government agency, then this documentation and the software described herein are provided to you subject to the following:*

All technical data and computer software are commercial in nature and developed solely at private expense. Software is delivered as "Commercial Computer Software" as defined in DFARS 252.227-7014 (June 1995) or as a "commercial item" as defined in FAR 2.101(a) and as such is provided with only such rights as are provided in 3Com's standard commercial license for the Software. Technical data is provided with limited rights only as provided in DFAR 252.227-7015 (Nov 1995) or FAR 52.227-14 (June 1987), whichever is applicable. You agree not to remove or deface any portion of any legend provided on any licensed program or documentation contained in, or delivered to you in conjunction with, this User Guide.

Unless otherwise indicated, 3Com registered trademarks are registered in the United States and may or may not be registered in other countries.

3Com and SuperStack are registered trademarks of 3Com Corporation. The 3Com logo and CoreBuilder are trademarks of 3Com Corporation.

Intel and Pentium are registered trademarks of Intel Corporation. Microsoft, MS-DOS, Windows, and Windows NT are registered trademarks of Microsoft Corporation. Novell and NetWare are registered trademarks of Novell, Inc. UNIX is a registered trademark in the United States and other countries, licensed exclusively through X/Open Company, Ltd.

Netscape Navigator is a registered trademark of Netscape Communications.

JavaScript is a trademark of Sun Microsystems.

All other company and product names may be trademarks of the respective companies with which they are associated.

#### **ENVIRONMENTAL STATEMENT**

It is the policy of 3Com Corporation to be environmentally-friendly in all operations. To uphold our policy, we are committed to:

Establishing environmental performance standards that comply with national legislation and regulations.

Conserving energy, materials and natural resources in all operations.

Reducing the waste generated by all operations. Ensuring that all waste conforms to recognized environmental standards. Maximizing the recyclable and reusable content of all products.

Ensuring that all products can be recycled, reused and disposed of safely.

Ensuring that all products are labelled according to recognized environmental standards.

Improving our environmental record on a continual basis.

#### **End of Life Statement**

3Com processes allow for the recovery, reclamation and safe disposal of all end-of-life electronic components.

#### **Regulated Materials Statement**

3Com products do not contain any hazardous or ozone-depleting material.

#### **Environmental Statement about the Documentation**

The documentation for this product is printed on paper that comes from sustainable, managed forests; it is fully biodegradable and recyclable, and is completely chlorine-free. The varnish is environmentally-friendly, and the inks are vegetable-based with a low heavy-metal content.

# CONTENTS

---

## ABOUT THIS GUIDE

Conventions	8
Related Documentation	9
Accessing Online Documentation	9
Product Registration	10
Documentation Comments	10

---

## 1 INTRODUCING THE SUPERSTACK 3 SWITCH 4400

About the Switch 4400	12
Summary of Hardware Features	12
Summary of Software Features	13
Switch 4400 — Front View Detail	14
10BASE-T/ 100BASE-TX Ports	15
LEDs	15
Switch 4400 — Rear View Detail	17
Power Socket	17
Redundant Power System Socket	17
Console Port	17
Expansion Module Slots	17
Default Settings	18

---

## 2 INSTALLING THE SWITCH

Package Contents	20
Choosing a Suitable Site	20
Rack-mounting	21
Placing Units On Top of Each Other	22
Stacking Units	22
The Power-up Sequence	23
Powering-up the Switch 4400	23

Checking for Correct Operation of LEDs	23
Connecting a Redundant Power System	24
Choosing the Correct Cables	24

---

### **3 SETTING UP FOR MANAGEMENT**

Setting Up Overview	28
IP Configuration	28
Preparing for Management	30
Initial Switch Setup	30
Manual Setup	31
Connecting to a Front Panel Port	31
Connecting to the Console Port	33
Automatic Setup	36
Using 3Com Network Supervisor	36
Connecting to the Console Port	36
Methods of Managing a Switch	39
Command Line Interface Management	39
Web Interface Management	40
SNMP Management	40
Setting Up Command Line Interface Management	41
CLI Management via the Console Port	41
CLI Management over the Network	41
Setting Up Web Interface Management	42
Pre-requisites	42
Web Management Over the Network	42
Setting Up SNMP Management	43
Pre-requisites	43
Default Users and Passwords	44
Changing Default Passwords	44

---

### **4 PROBLEM SOLVING**

Solving Problems Indicated by LEDs	46
Solving Hardware Problems	47
Solving Communication Problems	48

---

## **A SAFETY INFORMATION**

- Important Safety Information 52
- L'information de Sécurité Importante 53
- Wichtige Sicherheitsinformationen 55

---

## **B PIN-OUTS**

- Null Modem Cable 57
- PC-AT Serial Cable 57
- Modem Cable 58
- RJ-45 Pin Assignments 58

---

## **C TECHNICAL SPECIFICATIONS**

- Switch 4400  
(24-port) 61
- Switch 4400  
(48-port) 63

---

## **D TECHNICAL SUPPORT**

- Online Technical Services 65
  - World Wide Web Site 65
  - 3Com Knowledgebase Web Services 65
  - 3Com FTP Site 66
- Support from Your Network Supplier 66
- Support from 3Com 66
- Returning Products for Repair 68

---

## **INDEX**

---

## **REGULATORY NOTICES**



# ABOUT THIS GUIDE

This guide provides all the information you need to install and use a SuperStack® 3 Switch 4400 in its default state.



*This guide is intended for use with both Switch 4400 models:*

- 3C17203 — 24 10BASE-T/100BASE-TX ports
- 3C17204 — 48 10BASE-T/100BASE-TX ports

*All procedures described in this guide apply to both models.*

The guide is intended for use by network administrators who are responsible for installing and setting up network equipment; consequently, it assumes a basic working knowledge of LANs (Local Area Networks).



*If the information in the release notes that are shipped with your product differ from the information in this guide, follow the instructions in the release notes.*

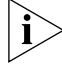


Most user guides and release notes are available in Adobe Acrobat Reader Portable Document Format (PDF) or HTML on the 3Com World Wide Web site:

<http://www.3com.com/>

## Conventions

Table 1 and Table 2 list conventions that are used throughout this guide.

**Table 1** Notice Icons

Icon	Notice Type	Description
	Information note	Information that describes important features or instructions
	Caution	Information that alerts you to potential loss of data or potential damage to an application, system, or device
	Warning	Information that alerts you to potential personal injury

**Table 2** Text Conventions

Convention	Description
Screen displays	This typeface represents information as it appears on the screen.
Syntax	The word "syntax" means that you must evaluate the syntax provided and then supply the appropriate values for the placeholders that appear in angle brackets. Example:  To change your password, use the following syntax:  <code>system password &lt;password&gt;</code>  In this example, you must supply a password for <password>.
<b>Commands</b>	The word "command" means that you must enter the command exactly as shown and then press Return or Enter. Commands appear in bold. Example:  To display port information, enter the following command:  <b>bridge port detail</b>
The words "enter" and "type"	When you see the word "enter" in this guide, you must type something, and then press Return or Enter. Do not press Return or Enter when an instruction simply says "type."
Keyboard key names	If you must press two or more keys simultaneously, the key names are linked with a plus sign (+). Example:  Press Ctrl+Alt+Del
Words in <i>italics</i>	Italics are used to: <ul style="list-style-type: none"> <li>■ Emphasize a point.</li> <li>■ Denote a new term at the place where it is defined in the text.</li> <li>■ Identify menu names, menu commands, and software button names. Examples:  From the <i>Help</i> menu, select <i>Contents</i>.  Click <i>OK</i>.</li> </ul>



---

**Related Documentation**

In addition to this guide, each Switch documentation set includes the following:

- *SuperStack 3 Switch Implementation Guide*  
This guide contains information on the features supported by your Switch and how they can be used to optimize your network.
- *SuperStack 3 Switch Management Quick Reference Guide*  
This guide contains a summary of the web interface and command line interface commands for the Switch.
- *SuperStack 3 Switch Management Interface Reference Guide*  
This guide provides detailed information about the web interface and command line interface that enable you to manage the Switch. It is supplied in HTML format on the CD-ROM that accompanies the Switch.
- *Release Notes*  
These notes provide information about the current software release, including new features, modifications, and known problems.

There are other publications you may find useful, such as:

- Documentation accompanying the Advanced Redundant Power system.
- Documentation accompanying the Expansion Modules.
- Documentation accompanying 3Com Network Supervisor. This is supplied on the CD-ROM that accompanies the Switch.

**Accessing Online Documentation**

The CD-ROM supplied with your Switch contains the following online documentation:

- *SuperStack 3 Switch Implementation Guide* (PDF format)
  - *SuperStack 3 Switch Management Interface Reference Guide* (HTML format)
- 1 To access the documentation insert the CD-ROM into your CD-ROM drive. If your PC has auto-run enabled, a splash screen will be displayed automatically.
  - 2 Select the Documentation section from the contents page.

If the online documentation is to be accessed from a local drive or server, you will need to access the CD-ROM contents via the root directory and copy the files from the CD-ROM to a suitable directory.

- The HTML Reference Guide is stored in the Docs/reference directory on the CD-ROM. The documentation is accessed using the contents.htm file.
- The PDF Implementation Guide is stored in the Docs/implementation directory of the CD-ROM.



*3Com recommends that you copy the Docs/reference directory as a whole to maintain the structure of the files.*

## Product Registration

You can register your SuperStack 3 Switch 4400 on the 3Com Web site:

<http://support.3com.com/registration/frontpg.pl>

## Documentation Comments

Your suggestions are very important to us. They will help make our documentation more useful to you. Please e-mail comments about this document to 3Com at:

**[pddtechpubs\\_comments@3com.com](mailto:pddtechpubs_comments@3com.com)**

Please include the following information when commenting:

- Document title
- Document part number (on the title page)
- Page number (if appropriate)

Example:

Part Number DUA 1720-3AAA0x

SuperStack 3 Switch 4400 Getting Started Guide

Page 21

# 1

## INTRODUCING THE SUPERSTACK 3 SWITCH 4400

This chapter contains introductory information about the Switch 4400 and how it can be used in your network. It covers summaries of hardware and software features and also the following topics:

- About the Switch 4400
- Switch 4400 — Front View Detail
- Switch 4400 — Rear View Detail
- Default Settings

## About the Switch 4400

The Switch 4400 is a stackable 10/100 Mbps device and provides high-performance work groups with a backbone to server connection. The Switch 4400 allows Cascade, Gigabit Ethernet or Fast Ethernet Fiber connections when expansion modules are installed in the expansion slots on the rear of the unit. You can also add the Switch 4400 to any SuperStack® system as your network grows.

## Summary of Hardware Features

Table 3 summarizes the hardware features that are supported by the Switch 4400.

**Table 3** Hardware features

Feature	Switch 4400
<b>Addresses</b>	<ul style="list-style-type: none"> <li>■ Up to 8000 supported</li> <li>■ Up to 64 permanent entries</li> </ul>
<b>Auto-negotiation</b>	<ul style="list-style-type: none"> <li>■ Supported on all ports</li> <li>■ Auto MDI/MDI-X</li> </ul>
<b>Forwarding Modes</b>	Store and Forward
<b>Duplex Modes</b>	Half and full duplex on all front panel ports
<b>Flow Control</b>	In full duplex operation all ports are supported
<b>Smart Auto-sensing</b>	Supported on all ports
<b>Traffic Prioritization</b>	Supported (IEEE 802.ID): 4 queues per port
<b>Ethernet and Fast Ethernet Ports</b>	Auto-negotiating 10BASE-T/100BASE-TX ports
<b>RPS Support</b>	Connects to SuperStack 3 Advanced Redundant Power System (ARPS) (3C16071B)
<b>Mounting</b>	19-inch rack or stand-alone mounting

## Summary of Software Features

Table 4 summarizes the software features that are supported by the Switch 4400.

**Table 4** Software features

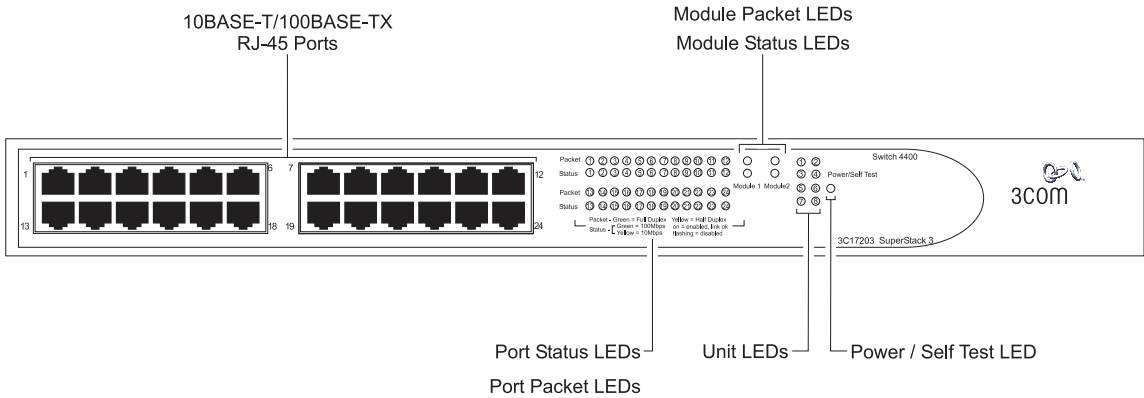
Feature	Switch 4400
<b>Automatic IP Configuration</b>	Supported
<b>Resilient Links</b>	Supported
<b>Aggregated Links</b>	Supported stack-wide
<b>Broadcast Storm Control</b>	Supported
<b>Virtual LANs (VLANs)</b>	Support for up to 60 VLANs using the IEEE 802.1Q standard
<b>Multicast Filtering</b>	<ul style="list-style-type: none"> <li>■ 128 Multicast filter groups supported</li> <li>■ IGMP filtering supported</li> </ul>
<b>Spanning Tree Protocol (802.1D-1998)</b>	Supported
<b>Roving Analysis Port</b>	Supported
<b>Rapid Spanning Tree Protocol (802.1w)</b>	Supported
<b>Webcache Support</b>	Supported
<b>Quality of Service (QoS)</b>	Supported
<b>RMON</b>	Four groups supported: Statistics, History, Alarms, Event
<b>Email Notification of Events</b>	Supported
<b>Management</b>	Web interface, command line interface, and SNMP supported
<b>Port Security</b>	Disconnect Unauthorized Device (DUD) supported



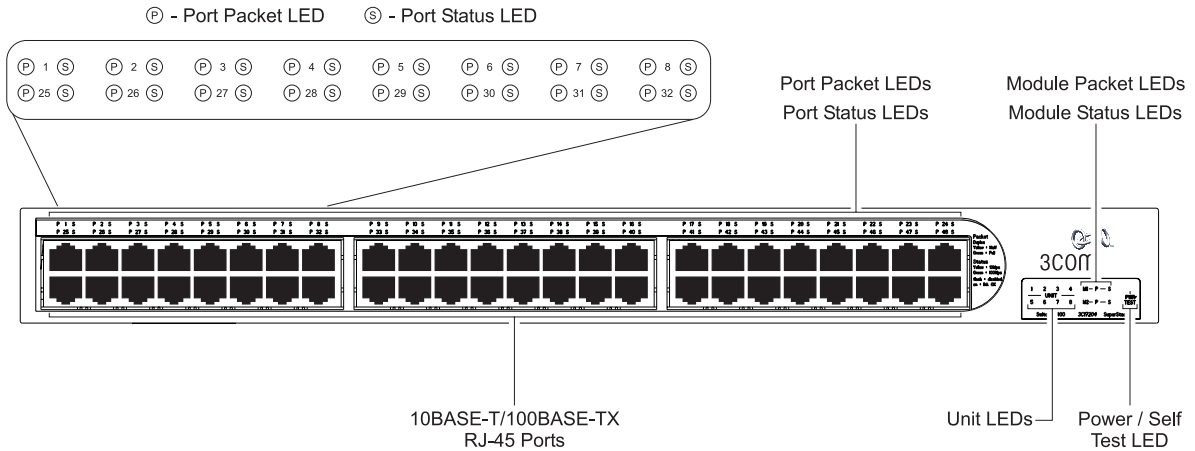
*For information about managing the software features of the Switch, refer to the "SuperStack 3 Switch Management Interface Reference Guide" on the CD-ROM that accompanies the Switch.*

**Switch 4400 —  
Front View Detail**

**Figure 1** Switch 4400 (24-port) — front view



**Figure 2** Switch 4400 (48-port) — front view



**WARNING:** RJ-45 Ports. These are shielded RJ-45 data sockets. They cannot be used as standard traditional telephone sockets, or to connect the unit to a traditional PBX or public telephone network. Only connect RJ-45 data connectors, network telephony systems, or network telephones to these sockets.

*Either shielded or unshielded data cables with shielded or unshielded jacks can be connected to these data sockets.*

## 10BASE-T/ 100BASE-TX Ports

The Switch has 24 or 48 auto-negotiating 10BASE-T/100BASE-TX ports configured as Auto MDIX (cross-over). These ports automatically provide the appropriate connection. Alternatively, you can manually set these ports to 10BASE-T half duplex, 10BASE-T full duplex, 100BASE-TX half duplex or 100BASE-TX full duplex. The maximum segment length is 100 m (328 ft) over Category 5 twisted pair cable.

**LEDs** Table 5 lists LEDs visible on the front of the Switch, and how to read their status according to color. For information on using the LEDs for problem solving, see "Solving Problems Indicated by LEDs" on page 46.

**Table 5** LED behavior

LED	Color	Indicates
<b>Port Status LEDs</b>		
Packet	Green	Full duplex packets are being transmitted/received on the port.
	Yellow	Half duplex packets are being transmitted/received on the port.
	Off	No packets are being transmitted/received on the port.
Status	Green	A high speed (100 Mbps) link is present, and the port is enabled.
	Green flashing	A high speed (100 Mbps) link is present, but the port is disabled.
	Yellow	A low speed (10 Mbps) link is present, and the port is enabled.
	Yellow flashing	A low speed (10 Mbps) link is present, but the port is disabled.
	Off	No link is present.
<b>Module Packet LEDs</b>		
	Green	Full duplex activity being received or transmitted
	Yellow	Half duplex activity being received or transmitted
	Off	No activity
<b>Module Status LEDs</b>		
	Green	The Module is installed and supported. The Link Status has been determined, and the port is enabled.
	Green flashing	The Module is installed and supported. The Link Status has been determined, but the port is disabled.

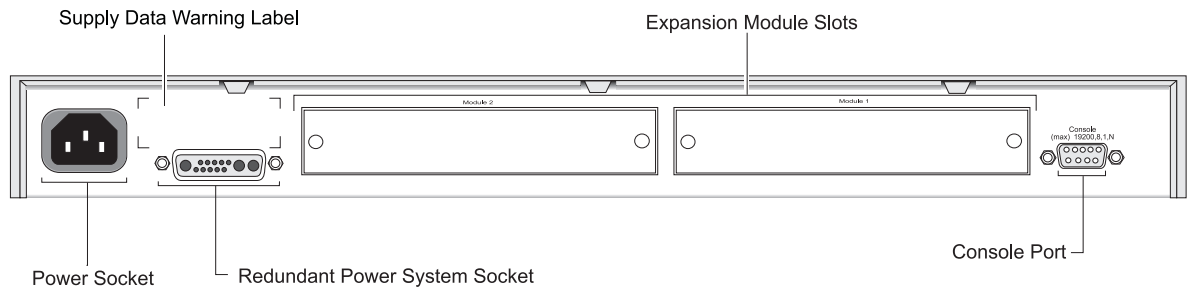
(continued)

LED	Color	Indicates
	Yellow	The Module is installed and supported. The Link status has not been determined or there is no Link for a single port Module.
	Yellow flashing	A Module is installed, however, it is not supported.
	Off	The Module is not installed.
<b>Unit LEDs</b>		
1–8	Green	When the Switch forms a stack with other Switch 4400 units, the LED indicates the position of the unit in the stack and that a link is present.  When the Switch is stand-alone and not part of a stack, LED 1 is on.
	Green rotating	When a software upgrade is in progress, the Unit LEDs of the unit that is being upgraded flash on and off in the following sequence —  1,2,4,6,8,7,5,3 (24-port) 1,2,3,4,8,7,6,5 (48-port)
	Green flashing	The Switch physically forms a stack with other Switch 4400 units, but cannot be managed as part of that stack until all units have been upgraded to software version 2.0 or later.
	Off	A fault has occurred.
<b>Power/Self Test LED</b>		
	Green	The Switch is powered-up and operating normally.
	Green flashing	The Switch is either downloading software or is initializing (which includes running a Power On Self Test).
	Yellow	The Switch has failed its Power On Self Test.
	Off	The Switch is not receiving power or there is a fault with the Power Supply Unit.



## Switch 4400 — Rear View Detail

**Figure 3** Switch 4400 — rear view



**Power Socket** The Switch automatically adjusts its power setting to any supply voltage in the range 90-260 VAC.

**Redundant Power System Socket** To protect against internal power supply failure, you can use this socket to connect a Switch 4400 to a SuperStack 3 Advanced Redundant Power System (RPS). See “Connecting a Redundant Power System” on page 24.

**Console Port** The console port allows you to connect a terminal and perform remote or local out-of-band management. The console port uses a standard null modem cable and is set to auto-baud, 8 data bits, no parity and 1 stop bit.

**Expansion Module Slots** You can use these slots to install Expansion Modules. These allow the Switch to support various forms of connection and add extra functionality to your Switch. Contact your supplier for more information.



**WARNING:** When an Expansion Module is not installed, ensure the blanking plate is fitted by tightening all screws with a suitable tool.

## Default Settings

Table 6 shows the default settings for the Switch 4400:

**Table 6** Default Settings

Feature	Switch 4400
<b>Automatic IP Configuration</b>	Enabled
<b>Port Status</b>	Enabled
<b>Port Speed</b>	10/100 Mbps ports are auto-negotiated
<b>Duplex Mode</b>	All fixed 10BASE-T and 100BASE-TX ports are auto-negotiated
<b>Flow Control</b>	<ul style="list-style-type: none"> <li>■ Enabled in half duplex</li> <li>■ Auto-negotiated in full duplex</li> </ul>
<b>Broadcast Storm Control</b>	Enabled
<b>Virtual LANs (VLANs)</b>	All ports belong to the untagged Default VLAN (VLAN 1) with 802.1Q learning operational
<b>IP Multicast Filtering</b>	Filtering enabled
<b>Rapid Spanning Tree Protocol</b>	Enabled
	<b>Fast Start:</b>
	<ul style="list-style-type: none"> <li>■ Enabled on front panel ports</li> <li>■ Disabled on rear panel port</li> </ul>
<b>RMON Alarm</b>	Enabled
<b>Smart Auto-Sensing</b>	Enabled
<b>Webcache Support</b>	Disabled
<b>Quality of Service (QoS)</b>	All ports prioritize NBX VoIP traffic (LAN and IP). All ports set to "best effort" for all other traffic.

If you initialize a Switch unit by selecting System > Control > Initialize in the Web interface or by entering **system control initialize** in the Command Line Interface, the following settings are retained to allow you to connect to and manage the Switch:

- IP Address
- Subnet Mask
- Default Router

# 2

## INSTALLING THE SWITCH

This chapter contains the information you need to install and set up the Switch 4400. It covers the following topics:

- Package Contents
- Choosing a Suitable Site
- Rack-mounting
- Placing Units On Top of Each Other
- The Power-up Sequence



**WARNING: Safety Information.** Before installing or removing any components from the Switch 4400 or carrying out any maintenance procedures, you must read the safety information provided in Appendix A of this guide.



**AVERTISSEMENT: Consignes de sécurité.** Avant d'installer ou d'enlever tout composant du Switch 4400 ou d'entamer une procédure de maintenance, lisez les informations relatives à la sécurité qui se trouvent dans l'Appendice A de ce guide.



**VORSICHT: Sicherheitsinformationen.** Bevor Sie Komponenten aus dem Switch 4400 entfernen oder dem Switch 4400 hinzufügen oder Instandhaltungsarbeiten verrichten, lesen Sie die Sicherheitsanweisungen, die in Appendix A (Anhang A) in diesem Handbuch aufgeführt sind.

---

## Package Contents

- Switch 4400 (24-port) (3C17203) or Switch 4400 (48-port) (3C17204)
- CD-ROM
- Getting Started Guide (this guide)
- Implementation Guide
- Management Quick Reference Guide
- Release Notes
- Unit Information Labels
- Warranty Information
- Power Cord
- 2 x Mounting brackets
- 4 x Screws
- 4 x Rubber feet

---

## Choosing a Suitable Site

The Switch is suited for use on a desktop, either free standing or mounted in a standard 19-inch equipment rack. Alternatively, the Switch can be mounted in a wiring closet or equipment room, as an aggregator for other Hubs and Switches. A rack-mounting kit containing two mounting brackets is supplied with the Switch.



**CAUTION:** *Ensure that the ventilation holes are not obstructed.*

When deciding where to position the Switch, ensure that:

- Cabling is located away from:
  - sources of electrical noise such as radios, transmitters and broadband amplifiers.
  - power lines and fluorescent lighting fixtures
- The Switch is accessible and cables can be connected easily.
- Water or moisture cannot enter the case of the Switch.
- Air-flow is not restricted around the Switch or through the vents in the side of the Switch. 3Com recommends that you provide a minimum of 25mm (1in.) clearance.
- Air flow around the Switch does not exceed 40 °C (104 °F).



If the Switch is installed in a 19-inch rack or closed assembly its local air temperature may be greater than room ambient temperature.

- The air is as free from dust as possible.
- The unit is installed in a clean, air conditioned environment.
- No more than eight Switch units are placed on top of one another, if the units are free-standing.

## Rack-mounting

The Switch 4400 is 1U high and will fit in most standard 19-inch racks.

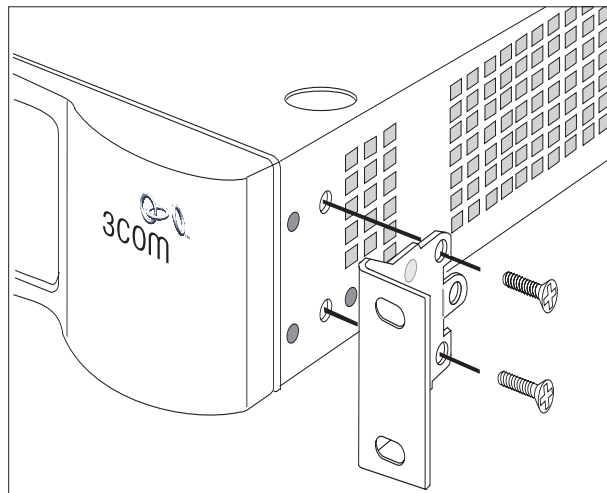


**CAUTION:** Disconnect all cables from the Switch before continuing. Remove all self adhesive pads from the underside of the Switch if they have been fitted.

To rack-mount your Switch:

- 1 Place the Switch the right way up on a hard flat surface, with the front facing towards you.
- 2 Locate a mounting bracket over the mounting holes on one side of the Switch, as shown in Figure 3.

**Figure 4** Fitting a bracket for rack-mounting



- 3 Insert the two screws and tighten with a suitable screwdriver.



*You must use the screws supplied with the mounting brackets. Damage caused to the unit by using incorrect screws invalidates your warranty.*

- 4 Repeat steps 2 and 3 for the other side of the Switch.
- 5 Insert the Switch into the 19-inch rack and secure with suitable screws (not provided). Ensure that ventilation holes are not obstructed.
- 6 Connect network cabling.
- 7 Finally place a unit information label on the unit in an easily accessible position. The unit information label shows the following:
  - The 3Com product name of the Switch
  - The 3Com 3C number of the Switch
  - The unique MAC address (Ethernet address) of the Switch
  - The serial number of the Switch

You may need this information for fault reporting purposes.

---

### Placing Units On Top of Each Other

If the Switch units are free-standing, up to eight units can be placed one on top of the other. If you are mixing a variety of SuperStack® 3 Switch and Hub units, the smaller units must be positioned at the top.

If you are placing Switch units one on top of the other, you must use the self-adhesive rubber pads supplied. Apply the pads to the underside of each Switch, sticking one in the marked area at each corner. Place the Switch units on top of each other, ensuring that the pads of the upper unit line up with the recesses of the lower unit.

---

### Stacking Units

Switch 4400 units can be stacked together and then treated as a single manageable unit with one IP address. Any combination of 24-port and 48-port units is allowed in a single stack, as long as the total number of front panel ports does not exceed the limit of 192 ports. The following combinations are allowed:

- 4 x 48-port Switches
- 3 x 48-port Switches and 2 x 24-port Switches
- 2 x 48-port Switches and 4 x 24-port Switches
- 1 x 48-port Switch and 6 x 24-port Switches
- 8 x 24-port Switches

Using the Expansion Module slot at the rear of the Switch, you can stack Switch units together in two ways:

- The SuperStack 3 Switch Cascade Stacking Kit (3C17227) consists of two Cascade Modules and a Cascade Cable. This kit allows you to connect two Switch 4400 units together.
- The SuperStack 3 Cascade Extender Kit (3C17228) consists of one Cascade Module, one Cascade Cable and one Cascade Extender Unit. This kit allows you to connect any of the combinations of Switch 4400 units shown in “Stacking Units” on page 22. Each Cascade Extender Kit enables you to add one additional Switch to your stack.

For more information contact your supplier, and refer to the user documentation that accompanies these Cascade Kits.



*When the Switch 4400s are stacked together they are assigned a unit number from bottom-to-top for management purposes. When further switches are added to the stack, they can be positioned at the bottom of the stack or at the top. Either way, the Switch management software will re-order the Switch unit numbers into a logical order again (from bottom to top).*

---

## The Power-up Sequence

The following sections describe how to get your Switch 4400 powered-up and ready for operation.

### Powering-up the Switch 4400

Use the following sequence of steps to power-up the Switch.

- 1 Plug the power cord into the power socket at the rear of the Switch.
- 2 Plug the other end of the power cord into your power outlet.

The Switch powers-up and runs through its Power On Self Test (POST), which takes approximately 10 seconds.

### Checking for Correct Operation of LEDs

During the Power On Self Test, all ports on the Switch are disabled and the LEDs light in a set sequence.

When the POST has completed, check the Power/Self Test LED to make sure that your Switch is operating correctly. Table 7 shows possible colors for the LED.

**Table 7** Power/Self Test LED colors

Color	State
Green	The Switch is powered-up and operating normally.
Yellow	The Switch has failed its Power On Self Test. This occurs if any of the ports fail during power-up.
Off	The Switch is not receiving power.

If there is evidence of a problem, see “Solving Problems Indicated by LEDs” on page 46.

### Connecting a Redundant Power System

You can connect a SuperStack 3 Advanced Redundant Power System (3C16071B) to the Switch. This unit, which is also known as an RPS, is designed to maintain the power to your Switch if a power supply failure occurs.

For normal redundancy, the unit requires one Type 2A Power Module (part number 3C16074A). For full redundancy, the unit requires two type 2A Power Modules combined using a Type 2 Y-Cable.



**CAUTION** *The Switch has no ON/OFF switch; the only method of connecting or disconnecting mains power is by connecting or disconnecting the power cord.*



**CAUTION:** *The Switch can only use a SuperStack Advanced Redundant Power System output.*

### Choosing the Correct Cables

All of the ports on the front of the Switch 4400 are Auto-MDIX, that is they have a cross-over capability. The port can automatically detect whether it needs to operate in MDI or MDIX mode. Therefore you can make a connection to a port with a straight-through (MDI) or a cross-over cable (MDIX).



*The Auto-MDIX feature only operates when auto-negotiation is enabled.*

If auto-negotiation is disabled, all the Switch ports are configured as MDIX (cross-over). If you want to make a connection to another MDIX port, you need an automatic *cross-over* cable. Many ports on workstations and servers are configured as MDI (straight-through). If you



want to make a connection to an MDI port, you need to use a standard *straight-through* cable. See Table 8.

3Com recommends that you use Category 5 twisted pair cable — the maximum segment length for this type of cable is 100 m (328 ft).

**Table 8** Cables required to connect the Switch 4400 to other devices if auto-negotiation is disabled

	Cross-over Cable	Straight-through Cable
Switch to Switch (MDIX to MDIX)	✓	×
Switch to Hub (MDIX to MDIX)	✓	×
Switch to PC (NIC) (MDIX to MDI)	×	✓



# 3

## SETTING UP FOR MANAGEMENT

Your Switch can operate in its default state, that is, you can install it and it will work straight away (plug-and-play). However, to make full use of the features offered by the Switch, and to change and monitor the way it works, you have to access the management software that resides on the Switch. This is known as managing the Switch.

Managing the Switch can help you to improve the efficiency of the Switch and therefore the overall performance of your network.

This chapter explains the initial set up of the Switch and the different methods of accessing the management software to manage a Switch. It covers the following topics:

- Setting Up Overview
- Initial Switch Setup
  - Manual Setup
  - Automatic Setup
- Methods of Managing a Switch
- Setting Up Command Line Interface Management
- Setting Up Web Interface Management
- Setting Up SNMP Management
- Default Users and Passwords

---

## Setting Up Overview

This section gives an overview of what you need to do to get your Switch set up and ready for management when it is in its default state. Detailed procedural steps are contained in the sections that follow. In brief, you need to:

- Configure IP information for your Switch by completing initial Switch setup
- Prepare for your chosen method of management



**CAUTION:** *To protect your Switch from unauthorized access, you must change all default passwords as soon as possible, even if you do not intend to actively manage your Switch. For more information on default users and changing default passwords, see “Default Users and Passwords” on page 44.*

## IP Configuration

You can use one of the following methods to allocate IP information to your Switch (essential if you wish to manage your Switch across the network).

### Manual IP Configuration

You can choose to configure the IP information yourself. The Switch remembers the information that you enter until you change it again or set the configuration method to Automatic.

You should use the Manual IP configuration method if:

- you do not have a DHCP or BootP server on your network, or
- you want to remove the risk of the IP address ever changing, or
- it is not possible to configure the DHCP or BootP server to allocate static IP addresses (this is necessary to ensure that the Switch is always allocated the same IP address).



*For most installations, 3Com recommends that you configure the Switch manually. This makes management simpler and more reliable as it is not dependent on a DHCP or BootP server, and eliminates the risk of the IP address changing.*

If you wish to manually enter IP information for your Switch, work through the “Manual Setup” section on page 31 and connect to a front panel port or the console port to manually configure the IP information.

## Automatic IP Configuration

By default the Switch tries to configure itself with IP information without requesting user intervention. It tries to obtain an IP address from a DHCP or BootP server on the network.

If neither server is found, the Switch will configure itself with an IP address in the range 169.254.1.0 to 169.254.254.255. This is known as Auto-IP and is the same mechanism used by Windows 98 and Windows 2000. IP addresses configured by Auto-IP are temporary as they cannot be routed but are useful for small networks which are not connected to other networks, or for initial configuration.

However, as soon as a DHCP or BootP server is detected, the Switch will configure itself with the IP address allocated by that server.

When using automatic IP configuration it is important that the IP address of the Switch is static, otherwise you will not know what the IP address is and it will be difficult to manage. Most DHCP and BootP servers allow static IP addresses to be configured so that you know what IP address will be allocated to the Switch. Refer to the documentation that accompanies your DHCP/BootP server.



*For a detailed description of how automatic IP configuration operates, please refer to the Implementation Guide that accompanies your Switch.*

You should use the automatic IP configuration method if:

- your network uses DHCP or BootP to allocate IP addresses, or
- flexibility is needed. If the Switch is re-deployed onto a different subnet, it will automatically reconfigure itself with an appropriate IP address, instead of you having to manually reconfigure the Switch.

If you use the automatic IP configuration method, you need to view the automatically allocated IP information before you can begin management. Work through the "Automatic Setup" section on page 36 and use 3Com Network Supervisor or connect to the console port to discover the automatically allocated IP information.

**Preparing for Management**

Once your Switch's initial set up is complete you can set up your chosen management method as described in "Methods of Managing a Switch" on page 39.



*For detailed information about the specific web interface operations and command line interface commands and problem solving, refer to the "SuperStack 3 Switch Management Interface Reference Guide" on the CD-ROM that is supplied with the Switch.*

**Initial Switch Setup**

Before you begin the initial setup of your Switch, you must first determine your preferred setup method. There are two setup methods:

- Manual Setup — You have two choices of how to configure the IP information, as shown in Table 9.
- Automatic Setup — Your Switch must be online, that is, connected to a network. You have two choices of how to view the allocated IP information, as shown in Table 9.

**Table 9** Initial Switch Setup Methods

Manual Setup		Automatic Setup	
Connecting to a front panel port	Use the web interface to manually enter IP information by accessing the Switch using its default IP address 169.254.100.100.	Using 3Com Network Supervisor	Use 3Com Network Supervisor to detect the automatically allocated IP information.
Connecting to the console port	Use the command line interface to manually enter IP information.	Connecting to the console port	Use the command line interface to view the automatically allocated IP information.

## Manual Setup

You can set up a Switch manually in the following ways:

- Connecting to a front panel port — Connect a workstation using an Ethernet cable to a front panel port of the Switch. You can then manually enter IP information using the web interface.
- Connecting to the console port — Connect a workstation using a console cable to the console port of the Switch. You can then manually enter IP information using the command line interface (CLI).

### Connecting to a Front Panel Port

To set up your Switch manually you can make a connection to a front panel port. You must do this whilst the Switch is offline, that is, before you connect the Switch to a network.

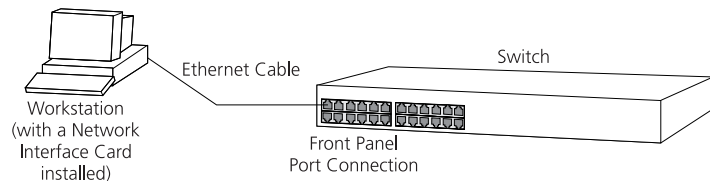
#### Pre-requisites

- A workstation running Windows 95/98/2000 or Windows NT.
- A Network Interface Card (NIC).
- A Category 5 twisted pair Ethernet cable with RJ-45 connectors.
- A suitable Web browser — refer to “Choosing a Browser” on page 42.
- You need to have the following so that you can manually set up the Switch with IP information:
  - IP address
  - subnet mask
  - default gateway

### Connecting the Workstation to the Switch

- 1 Connect the workstation to a front panel port using an Ethernet cable as shown in Figure 5.

**Figure 5** Connecting a workstation to the Switch via a front panel port



To connect the cable:

- a Attach an RJ-45 connector at one end of the Ethernet cable to the Network Interface Card (NIC) in the workstation.
- b Connect the RJ-45 connector at the other end of the cable to one of the front panel ports on the Switch.

### Configuring the Workstation with IP Information

You need to change the IP address and subnet mask of the workstation that you have connected to the Switch. Make a note of the existing settings so you can return to them later. Change the workstation to the following settings:

- IP address — **169.254.100.99**
- Subnet mask — **255.255.255.0**

### Setting Up the Switch with IP Information

You are now ready to manually set up the Switch with IP information using the Web interface.

- 1 Power-up the Switch. This takes approximately one minute.
- 2 Open a suitable Web browser and enter **169.254.100.100** in the *Location Address* field. This is the default IP address that is automatically assigned to an offline unit.



*If there is no response, wait for one minute then re-enter the default IP address.*

- 3 At the login and password prompts, enter **admin** as your user name and press Return at the password prompt. If you have logged on correctly, a set of Getting Started pages are displayed.
- 4 The Getting Started pages allow you to enter basic setup information for the Switch. Select **Manual** and then enter the IP address, subnet mask, and default gateway that you want the Switch to use when it is connected to the network. The final page displays a summary of the information entered.

The initial set up of your Switch is now complete and the Switch is ready for you to set up your chosen management method. See “Methods of Managing a Switch” on page 39.



## Connecting to the Console Port

To set up your Switch manually you can alternatively make a connection to the console port (this example describes a local connection to the console port, rather than a remote one via a modem). You can do this whilst the Switch is offline, that is, before you connect the Switch to a network, or whilst the Switch is online, that is, connected to a network.

### Pre-requisites

- A workstation with terminal emulation software installed, such as Microsoft Hyperterminal. This software allows you to communicate with the Switch via the console port directly, or through a modem.
- Documentation supplied with the terminal emulation software.
- A suitable cable:
  - A standard null modem cable — if you are connecting directly to the console port, or
  - A standard modem cable — if you are connecting to the console port using a modem.



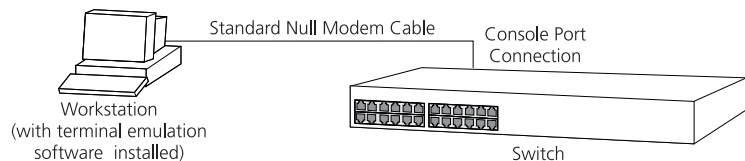
You can find pin-out diagrams for both cables in Appendix B on page 57.

- You need to have the following so that you can manually set up the Switch with IP information:
  - IP address
  - subnet mask
  - default gateway

### Connecting the Workstation to the Switch

- 1 Connect the workstation to the console port using a standard null modem cable as shown in Figure 6.

**Figure 6** Connecting a workstation to the Switch via the console port



To connect the cable:

- a Attach the female connector on the cable to the male connector on the console port of the Switch.

- b** Tighten the retaining screws on the cable to prevent it from being loosened.
  - c** Connect the other end of the cable to one of the serial ports (also known as a COM port) on your workstation.
- 2** Open your terminal emulation software and configure the COM port settings to which you have connected the cable. The settings should be set to match the default settings for the Switch, which are:
- 19,200 baud
  - 8 data bits
  - no parity
  - 1 stop bit
  - no hardware flow control

Refer to the documentation that accompanies the terminal emulation software for more information.

### Setting Up the Switch with IP Information

You are now ready to manually set up the Switch with IP information using the command line interface.

- 1** The command line interface login sequence begins as soon as the Switch detects a connection to its console port.



*If the login prompt does not begin immediately, press Return a few times until it starts.*

- 2** At the login and password prompts, enter **admin** as your user name and press Return at the password prompt. If you have logged on correctly, the top-level menu of the command line interface is displayed as shown in the example in Figure 7.

**Figure 7** Example top-level command line interface menu

```

Menu options: -----3Com SuperStack 3 Switch 4xxx-----
bridge          - Administer bridge-wide parameters
feature         - Administer system features
logout         - Logout of the Command Line Interface
physicalInterface - Administer physical interfaces
protocol        - Administer protocols
security        - Administer security
system         - Administer system-level functions
trafficManagement - Administer traffic management

Type ? for help
----- (1)-----
Select menu option: █

```

- 3 At the Select menu option prompt enter the **protocol ip basicConfig** command. At the Enter configuration method prompt enter **manual**. The screen prompts you to enter IP information.
- 4 Enter the IP address, subnet mask, and gateway IP address for the Switch. The screen displays a summary of the information entered.

The initial set up of your Switch is now complete and the Switch is ready for you to set up your chosen management method. See “Methods of Managing a Switch” on page 39.

If you do not intend to use the command line interface via the console port to manage the Switch, you can disconnect the serial cable and close the terminal emulator software.

## Automatic Setup

You can set up the Switch automatically whilst it is connected to a network in either of the following ways:

- Using 3Com Network Supervisor — This application will auto-discover the Switch and display the automatically allocated IP information assigned to the Switch.
- Connecting to the Console Port — Connect a workstation using a console cable to the console port of the Switch. You can then view the IP information automatically assigned to the Switch using the command line interface (CLI).

## Using 3Com Network Supervisor

You can use the 3Com Network Supervisor application provided on the CD-ROM that accompanies your Switch to discover the automatically allocated IP information.

- 1 Connect your Switch to the network.
- 2 Power-up the Switch and wait for two minutes.
- 3 Launch 3Com Network Supervisor and run the Auto-discovery wizard.

3Com Network Supervisor will auto-discover the new Switch and display the IP information that has been automatically allocated to the Switch.



*Most DHCP and BootP servers allow static IP addresses to be configured so that you know what IP address the Switch will be given. Refer to the documentation that accompanies your DHCP or BootP server.*



*If your network does not have a DHCP or BootP server, 3Com Network Supervisor must be on the same subnet as the Switch, as Auto-IP addresses are non-routable.*

## Connecting to the Console Port

To set up your Switch automatically you can alternatively make a connection to the console port. (This example describes a local connection to the console port, rather than a remote one via a modem.)

### Pre-requisites

- A workstation with terminal emulation software installed, such as Microsoft Hyperterminal. This software allows you to communicate with the Switch via the console port directly, or through a modem.
- Documentation supplied with the terminal emulation software.

- A suitable cable:
  - A standard null modem cable — if you are connecting directly to the console port, or
  - A standard modem cable — if you are connecting to the console port using a modem.



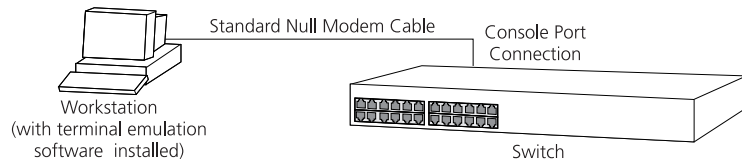
You can find pin-out diagrams for both cables in Appendix B on page 57.

- A Category 5 twisted pair Ethernet cable with RJ-45 connectors to connect your Switch to the network.

### Connecting the Workstation to the Switch

- 1 Connect the workstation to the console port using a standard null modem cable as shown in Figure 8.

**Figure 8** Connecting a workstation to the Switch via the console port



To connect the cable:

- a Attach the female connector on the cable to the male connector on the console port of the Switch.
  - b Tighten the retaining screws on the cable to prevent it from being loosened.
  - c Connect the other end of the cable to one of the serial ports (also known as a COM port) on your workstation.
- 2 Open your terminal emulation software and configure the COM port settings to which you have connected the cable. The settings should be set to match the default settings for the Switch, which are:
    - 19,200 baud
    - 8 data bits
    - no parity
    - 1 stop bit
    - no hardware flow control

Refer to the documentation that accompanies the terminal emulation software for more information.

## Viewing IP Information via the Console Port

You are now ready to view the automatically allocated IP information using the command line interface.

- 1 Connect your Switch to the network using an Ethernet cable. As soon as a network connection is made the Switch begins the automatic IP configuration process.



*The automatic IP configuration process usually completes within one minute.*



*If there is no response from a DHCP server within 30 seconds, the Auto-IP configuration mechanism attempts to allocate the default IP address 169.254.100.100. If this address is not available, it then allocates an IP address in the range of 169.254.x.y (where x is in the range 1 to 254, and y is in the range 0 to 255).*

- 2 The command line interface login sequence begins as soon as the Switch detects a connection to its console port.



*If the login prompt does not begin immediately, press Return a few times until it starts.*

- 3 At the login and password prompts, enter **admin** as your user name and press Return at the password prompt. If you have logged on correctly, the top-level menu of the command line interface is displayed as shown in the example in Figure 9.

**Figure 9** Example top-level command line interface menu

```
Menu options: -----3Com SuperStack 3 Switch 4xxx-----
bridge          - Administer bridge-wide parameters
feature         - Administer system features
logout          - Logout of the Command Line Interface
physicalInterface - Administer physical interfaces
protocol        - Administer protocols
security        - Administer security
system          - Administer system-level functions
trafficManagement - Administer traffic management

Type ? for help
----- (1)-----
Select menu option: █
```

- 4 At the Select menu option prompt enter the **protocol ip interface summary** command. At the Select IP interfaces prompt enter **all**. A summary of the automatically allocated IP information is displayed. Make a note of the Network IP Address.

The initial set up of your Switch is now complete and the Switch is ready for you to set up your chosen management method. See “Methods of Managing a Switch” on page 39.

If you do not intend to use the command line interface via the console port to manage the Switch, you can disconnect the serial cable and close the terminal emulator software.

## Methods of Managing a Switch

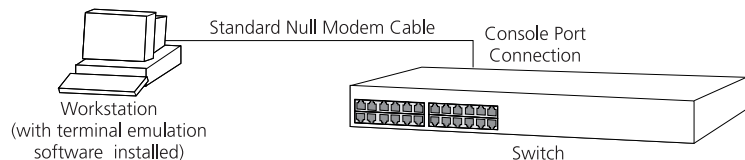
Once you have completed the initial set up of your Switch, you can decide how you wish to manage the Switch. You can use one of the following methods:

- Command line interface management
- Web interface management
- SNMP management

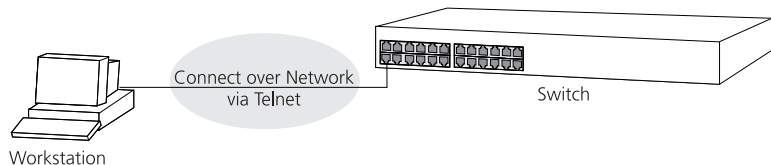
### Command Line Interface Management

Each Switch has a command line interface (CLI) that allows you to manage the Switch from a workstation, either locally via a console port connection (see Figure 10), or remotely over the network (see Figure 11).

**Figure 10** CLI management via the console port



**Figure 11** CLI management over the network

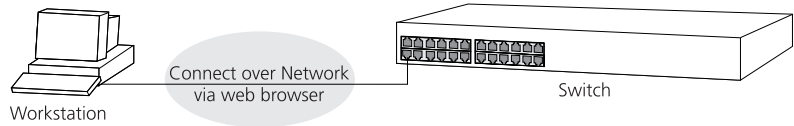


Refer to “Setting Up Command Line Interface Management” on page 41.

**Web Interface Management**

Each Switch has an internal set of web pages that allow you to manage the Switch using a Web browser remotely over an IP network (see Figure 12).

**Figure 12** Web interface management over the network

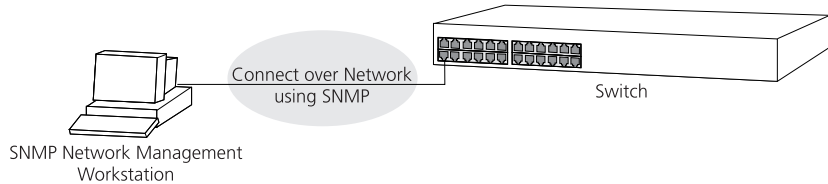


Refer to "Setting Up Web Interface Management" on page 42.

**SNMP Management**

You can manage a Switch using any network management workstation running the Simple Network Management Protocol (SNMP) as shown in Figure 13. For example, you can use the 3Com Network Supervisor software that is provided on the CD-ROM that accompanies your Switch.

**Figure 13** SNMP management over the network



Refer to "Setting Up SNMP Management" on page 43.



## Setting Up Command Line Interface Management

This section describes how you can set up command line interface management using a local console port connection or over the network.

### CLI Management via the Console Port

To manage a Switch using the command line interface via the local console port connection:

- 1 Ensure you have connected your workstation to the console port correctly as described in "Connecting to the Console Port" on page 33.
- 2 Your Switch is now ready to continue being managed and/or configured through the CLI via its console port.

### CLI Management over the Network

To manage a Switch using the command line interface over a network using Telnet:

- 1 Ensure you have already set up the Switch with IP information as described in "Initial Switch Setup" on page 30.
- 2 Check that you have the IP protocol correctly installed on your management workstation. You can check this by trying to browse the World Wide Web. If you can browse, the IP protocol is installed.
- 3 Check you can communicate with the Switch by entering a **ping** command at the DOS prompt in the following format:

```
c:\ ping xxx.xxx.xxx.xxx
```

(where xxx.xxx.xxx.xxx is the IP address of the Switch)

If you get an error message, check that your IP information has been entered correctly and the Switch is powered up.

- 4 To open a Telnet session via the DOS prompt, enter the IP address of the Switch that you wish to manage in the following format:

```
>telnet xxx.xxx.xxx.xxx
```

(where xxx.xxx.xxx.xxx is the IP address of the Switch)



*If opening a Telnet session via third party software you will need to enter the IP address in the format suitable for that software.*

- 5 At the login and password prompts, enter **admin** as your user name and press Return at the password prompt (or the password of your choice if you have already modified the default passwords).



*If the login prompt does not display immediately, press Return a few times until it starts.*

- 6 If you have logged on correctly, the top-level menu of the command line interface for the Switch you wish to manage is displayed as shown in Figure 7 on page 35.

## Setting Up Web Interface Management

This section describes how you can set up web interface management over the network.

### Pre-requisites

- Ensure you have already set up the Switch with IP information as described in “Initial Switch Setup” on page 30.
- Ensure that the Switch is connected to the network using a Category 5 twisted pair Ethernet cable with RJ-45 connectors.
- A suitable Web browser.

### Choosing a Browser

To display the web interface correctly, use one of the following Web browsers:

- Netscape Navigator® version 4.5, 4.6, or 4.7.
- Microsoft Internet Explorer version 4.0, 5.0, or 5.5.



*For the browser to operate the web interface correctly, JavaScript™ and Cascading Style Sheets must be enabled on your browser. These features are enabled on a browser by default. You will only need to enable them if you have changed your browser settings.*

## Web Management Over the Network

To manage a Switch using the web interface over an IP network:

- 1 Check that you have the IP protocol correctly installed on your management workstation. You can check this by trying to browse the World Wide Web. If you can browse, the IP protocol is installed.
- 2 Check you can communicate with the Switch by entering a **ping** command at the DOS prompt in the following format:

```
c:\ ping xxx.xxx.xxx.xxx
(where xxx.xxx.xxx.xxx is the IP address of the Switch)
```

If you get an error message, check that your IP information has been entered correctly and the Switch is powered up.

- 3 Open your web browser and enter the IP address of the Switch that you wish to manage in the URL locator, for example, in the following format:  
`http:// xxx.xxx.xxx.xxx`
- 4 At the login and password prompts, enter **admin** as your user name and press Return at the password prompt (or the password of your choice if you have already modified the default passwords).
- 5 Click on the *Device View* button to display the web management options.

---

## Setting Up SNMP Management

Any network management application running the Simple Network Management Protocol (SNMP) can manage a Switch if:

- The correct Management Information Bases (MIBs) are installed on the management workstation.
- The management workstation is connected to the Switch using a port in VLAN 1 (the Default VLAN). By default, all ports on the Switch are in VLAN 1.



*You can use the 3Com Network Supervisor application that is provided on the CD-ROM that accompanies your Switch to provide SNMP management for your Switch. If you use 3Com Network Supervisor it automatically loads the correct MIBs and necessary files onto your workstation.*

### Pre-requisites

- Documentation supplied with the SNMP network management application software.



*To manage your Switch using an SNMP network management application, you need to specify SNMP community strings for the users defined on the Switch. You can do this using the command line interface **system management snmp community** command — refer to the command line interface section of the “SuperStack 3 Switch Management Interface Reference Guide” for more information.*

## Default Users and Passwords

If you intend to manage the Switch using the web interface or the command line interface, or to change the default passwords, you need to log in with a valid user name and password. The Switch has three default user names, and each user name has a different password and level of access. These default users are listed in Table 10.



**CAUTION:** *To protect your Switch from unauthorized access, you must change all default passwords as soon as possible, even if you do not intend to actively manage your Switch*

**Table 10** Default Users

User Name	Default Password	Access Level
monitor	monitor	monitor — the user can view all manageable parameters, except special/security features, but cannot change any manageable parameters.
manager	manager	manager — the user can access and change the operational parameters but not special/security features
admin	(no password)	security — the user can access and change all manageable parameters



*Use the admin default user name (no password) to login and carry out initial Switch setup.*

## Changing Default Passwords

You can change the default passwords using either:

- The **security device user modify** command on the CLI, or
- The *Security > Device > User > Modify* operation on the web interface.



*For more information about default users and passwords, refer to the “Superstack 3 Switch Management Interface Reference Guide” on the Switch CD-ROM.*

# 4

## PROBLEM SOLVING

This chapter helps you to diagnose and solve problems you may have with the operation of your Switch. There is also an explanation of IP addressing.

The topics covered are:

- Solving Problems Indicated by LEDs
- Solving Hardware Problems
- Solving Communication Problems

If you experience a problem that is not listed here, it may be included in the support section of the Superstack 3 Switch Management Interface Reference Guide on the CD-ROM that accompanies your Switch.

For Technical Support information, see Appendix D.

---

## Solving Problems Indicated by LEDs

If the LEDs on the Switch indicate a problem, refer to the list of suggested solutions below.

### **The Power LED does not light**

Check that the power cable is firmly connected to the Switch and to the supply outlet. If the connection is secure and there is still no power, you may have a faulty power cord or an internal fault. Firstly, check the power cord by:

- testing it in another device
- connecting a working power cord to the 'problem' device

then contact your supplier for advice.

### **On powering-up, the Power/Self Test LED lights yellow**

The Switch unit has failed its Power On Self Test (POST) because of an internal problem. The fault type will be indicated on the unit LEDs. Contact your supplier for advice.

### **A link is connected and yet the Status LED for the port does not light**

Check that:

- The Switch and the device at the other end of the link (or cable) are connected securely.
- The devices at both ends of the link are powered-up
- The quality of cable is satisfactory
- Auto-negotiation settings are the same at both ends.

Auto-negotiation problems will occur with 10BASE-T or 100BASE-T where auto-negotiation is disabled and incorrect cables are being used (cross-over or straight)

Auto-negotiation problems will occur with fiber if:

- The Receiver (RX) and Transceiver (TX) cable connectors are swapped
- Fibers are broken
- Auto-negotiation differs at either end (a link appears at the 'fixed' end and not at the auto-negotiation end)

### The Unit LED is flashing green

The Switch unit physically forms a stack with other Switch 4400 units, but cannot be managed as part of that stack because one or more units have not been upgraded to software version 2.0 or later. You must upgrade each unit in the stack to this software version, which is available on the CD-ROM that accompanies your Switch.

---

## Solving Hardware Problems

In the rare event of your Switch unit experiencing a hardware failure, refer to the list of suggested solutions below.

### An expansion module is installed and the unit will not power up

Ensure that the expansion module is fully seated in the slot and the connectors are engaged so that the securing screws can be tightened.

### An SNMP fan fail trap is received

- 1 Power off the unit.
- 2 Check that the air vents are not obstructed.
- 3 Power cycle the unit. To do this, remove and reconnect the AC mains supply. If the unit has no AC main supply, remove and reconnect the DC RPS supply.
- 4 If a further fan fail trap is received, return the unit.

### Unit fails, no SNMP fan fail trap is received

- 1 Power cycle the unit. To do this, remove and reconnect the AC mains supply. If the unit has no AC mains supply, remove and reconnect the DC RPS supply.
- 2 Check the command line interface (**system summary** command) to determine whether a thermal shutdown has occurred.
- 3 If no, return the unit:  
If yes, check that:
  - The air vents are not obstructed.
  - The ambient temperatures and environmental conditions meet those specified in Appendix C.
- 4 Power cycle the unit. If a further thermal shutdown occurs, and all environmental conditions are satisfactory, return the unit to 3Com.

---

## Solving Communication Problems

If you experience communication problems with the Switch, ensure that:

- The Switch IP address has been configured as described in Chapter 3.
- If the Switch is separated from your management application by a router, ensure that the default gateway IP address within the Switch is the same as the IP address of the router.
- The Switch's IP address has been entered correctly in your network management application (such as 3Com Network Supervisor).

The following is a brief overview of IP addressing, and how to obtain a registered IP address.

### IP Addressing

To be managed correctly, each device on your network (for example a Switch or Hub) must have a unique IP address. IP addresses have the format  $n.n.n.n$  where  $n$  is a decimal number between 0 and 255. An example IP address is 192.168.100.8.

The IP address is split into two parts:

- The first part ('192.168.100' in the example) identifies the network on which the device resides
- The second part ('.8' in the example) identifies the device within the network

The natural subnet mask for this example is 255.255.255.0.



*If your network has a connection to the external IP network, that is, you access the Internet, you must apply for a registered IP address.*



### How do you obtain a registered IP Address?

The IP registration system ensures that every IP address used is unique; if you do not have a registered IP address, you may be using an identical address to someone else and your network will not operate correctly.

InterNIC Registration Services is the organization responsible for supplying registered IP addresses. The following contact information is correct at time of publication:

World Wide Web site: **<http://www.internic.net>**

If your IP network is internal to your organization only, that is, you do not access the Internet, you may use any arbitrary IP address as long as it is not being used by another device on your network. 3Com suggests you use addresses in the series 192.160.100.X (where X is a number between 1 and 254) with a subnet mask of 255.255.255.0. These suggested IP addresses are part of a group of IP addresses that have been set aside specially for use 'in house' only.



*These suggested IP addresses are part of a group of IP addresses that have been set aside specially for use 'in house' only.*



# A

## SAFETY INFORMATION

You must read the following safety information before carrying out any installation or removal of components, or any maintenance procedures on the Switch 4400.



**WARNING:** Warnings contain directions that you must follow for your personal safety. Follow all directions carefully.

You must read the following safety information carefully before you install or remove the unit.



**AVERTISSEMENT:** Les avertissements présentent des consignes que vous devez respecter pour garantir votre sécurité personnelle. Vous devez respecter attentivement toutes les consignes.

Nous vous demandons de lire attentivement les consignes suivantes de sécurité avant d'installer ou de retirer l'appareil.



**VORSICHT:** Warnhinweise enthalten Anweisungen, die Sie zu Ihrer eigenen Sicherheit befolgen müssen. Alle Anweisungen sind sorgfältig zu befolgen.

Sie müssen die folgenden Sicherheitsinformationen' sorgfältig durchlesen, bevor Sie das Gerät installieren oder ausbauen.

## Important Safety Information



**WARNING:** Installation and removal of the unit must be carried out by qualified personnel only.



**WARNING:** If installing the Switch 4400 in a stack with SuperStack II or SuperStack 3 units that are narrower than the 4400, the Switch 4400 unit must be installed below the narrower units.



**WARNING:** The unit must be earthed (grounded).



**WARNING:** Connect the unit to an earthed power supply to ensure compliance with safety standards.



**WARNING: Power Cord Set:**  
This must be approved for the country where it is used:

U.S.A. and  
Canada

- The cord set must be UL-approved and CSA certified.
- The minimum specification for the flexible cord is:  
No. 18 AWG  
Type SV or SJ  
3-conductor
- The cord set must have a rated current capacity of at least 10A.
- The attachment plug must be an earth-grounding type with a NEMA 5-15P (15A, 125V) or NEMA 6-15P (15A, 250V) configuration.

United  
Kingdom only

- The supply plug must comply with BS1363 (3-pin 13 amp) and be fitted with a 5A fuse which complies with BS1362.
- The mains cord must be <HAR> or <BASEC> marked and be of type H03VVF3GO.75 (minimum).

Europe only:

- The supply plug must comply with CEE 7/7 ("SCHUKO").
- The mains cord must be <HAR> or <BASEC> marked and be of type H03VVF3GO.75 (minimum).

Denmark

- The supply plug must comply with section 107-2-D1, standard DK2-1a or DK2-5a.

Switzerland

- The supply plug must comply with SEV/ASE 1011.



**WARNING:** The appliance coupler (the connector to the unit and not the wall plug) must have a configuration for mating with an EN60320/IEC320 appliance inlet.



**WARNING:** The socket outlet must be near to the unit and easily accessible. You can only remove power from the unit by disconnecting the power cord from the outlet.



**WARNING:** This unit operates under SELV (Safety Extra Low Voltage) conditions according to IEC 950. The conditions are only maintained if the equipment to which it is connected also operates under SELV conditions.



**WARNING:** France and Peru only:  
This unit cannot be powered from IT<sup>+</sup> supplies. If your supplies are of IT type, this unit must be powered by 230V (2P+T) via an isolation transformer ratio 1:1, with the secondary connection point labelled Neutral, connected directly to earth (ground).  
\*Impédance à la terre.



**WARNING:** U.K. only:  
If connecting a modem to the console port of the Switch 4400, only use a modem which is suitable for connection to the telecommunications system.



**WARNING:** RJ-45 Ports. These are shielded RJ-45 data sockets. They cannot be used as standard traditional telephone sockets, or to connect the unit to a traditional PBX or public telephone network. Only connect RJ-45 data connectors, network telephony systems, or network telephones to these sockets.

*Either shielded or unshielded data cables with shielded or unshielded jacks can be connected to these data sockets.*



**WARNING:** When an Expansion Module is not installed ensure the blanking panel is fitted by tightening all screws with a suitable tool.

---

## L'information de Sécurité Importante



**AVERTISSEMENT:** L'installation et la dépose de ce groupe doivent être confiés à un personnel qualifié.



**AVERTISSEMENT:** Si vous entassez l'unité Switch avec les unités SuperStack 3 Hub, l'unité Switch 4400 doit être installée en dessous des unités Hub plus étroites.



**AVERTISSEMENT:** Vous devez mettre l'appareil à la terre (à la masse) ce groupe.



**AVERTISSEMENT:** Brancher l'unité à une source de courant mise à la terre pour assurer la conformité aux normes de sécurité.



**AVERTISSEMENT:** Cordon électrique:  
Il doit être agréé ans le pays d'utilisation:

- |                      |  |
|----------------------|--|
| Etats-Unis et Canada | <ul style="list-style-type: none"> <li>■ Le cordon doit avoir reçu l'homologation des UL et un certificat de la CSA</li> <li>■ Le cordon souple doit respecter, à titre minimum, les spécifications suivantes :               <ul style="list-style-type: none"> <li>■ calibre 18 AWG</li> <li>■ type SV ou SJ</li> <li>■ à 3 conducteurs</li> </ul> </li> <li>■ Le cordon doit être en mesure d'acheminer un courant nominal d'au moins 10 A</li> <li>■ La prise femelle de branchement doit être du type à mise à la terre (mise à la masse) et respecter la configuration NEMA 5-15P (15 A, 125 V) ou NEMA 6-15P (15 A, 250 V)</li> </ul> |
| Danemark             | <ul style="list-style-type: none"> <li>■ La prise mâle d'alimentation doit respecter la section 107-2 D1 de la norme DK2 1a ou DK2 5a</li> </ul>   |
| Europe               | <ul style="list-style-type: none"> <li>■ La prise secteur doit être conforme aux normes CEE 7/7 ("SCHKO")</li> <li>■ LE cordon secteur doit porter la mention &lt;HAR&gt; ou &lt;BASEC&gt; et doit être de type HO3VVF3GO.75 (minimum).</li> </ul>   |
| Suisse               | <ul style="list-style-type: none"> <li>■ La prise mâle d'alimentation doit respecter la norme SEV/ASE 1011</li> </ul>  |



**AVERTISSEMENT:** Le coupleur d'appareil (le connecteur du groupe et non pas la prise murale) doit respecter une configuration qui permet un branchement sur une entrée d'appareil EN60320/CEI 320.



**AVERTISSEMENT:** La prise secteur doit se trouver à proximité de l'appareil et son accès doit être facile. Vous ne pouvez mettre l'appareil hors circuit qu'en débranchant son cordon électrique au niveau de cette prise.



**AVERTISSEMENT:** L'appareil fonctionne à une tension extrêmement basse de sécurité qui est conforme à la norme CEI 950. Ces conditions ne sont maintenues que si l'équipement auquel il est raccordé fonctionne dans les mêmes conditions.



**AVERTISSEMENT:** France et Pérou uniquement:

Ce groupe ne peut pas être alimenté par un dispositif à impédance à la terre. Si vos alimentations sont du type impédance à la terre, ce groupe doit être alimenté par une tension de 230 V (2 P+T) par le biais d'un transformateur d'isolement à rapport 1:1, avec un point secondaire de connexion portant l'appellation Neutre et avec raccordement direct à la terre (masse).



**AVERTISSEMENT:** Points d'accès RJ-45. Ceux-ci sont protégés par des prises de données. Ils ne peuvent pas être utilisés comme prises de téléphone conventionnelles standard, ni pour la connection de l'unité à un réseau téléphonique central privé ou public. Raccorder seulement connecteurs de données RJ-45, systèmes de réseaux de téléphonie ou téléphones de réseaux à ces prises.

Il est possible de raccorder des câbles protégés ou non protégés avec des jacks protégés ou non protégés à ces prises de données.



**AVERTISSEMENT:** Si le module d'expansion n'est pas installé, veuillez à bien installer la plaque d'obturation et serrez toutes les vis à l'aide d'un outil approprié.

---

## Wichtige Sicherheitsinformationen



**VORSICHT:** Die Installation und der Ausbau des Geräts darf nur durch Fachpersonal erfolgen.



**VORSICHT:** Wenn die Switch 4400 Einheit in einer Stapel mit anderen SuperStack 3 Hub Einheiten eingebaut werden soll, muß die Switch 4400 Einheit unter die schmalere Hub Einheiten eingebaut werden.



**VORSICHT:** Das Gerät muß geerdet sein.



**VORSICHT:** Das Gerät muß an eine geerdete Steckdose angeschlossen werden, die europäischen Sicherheitsnormen erfüllt.



**VORSICHT:** Der Anschlußkabelsatz muß mit den Bestimmungen des Landes übereinstimmen, in dem er verwendet werden soll.



**VORSICHT:** Der Gerätestecker (der Anschluß an das Gerät, nicht der Wandsteckdosenstecker) muß eine passende Konfiguration für einen Geräteeingang gemäß EN60320/IEC320 haben.



**VORSICHT:** Die Netzsteckdose muß in der Nähe des Geräts und leicht zugänglich sein. Die Stromversorgung des Geräts kann nur durch Herausziehen des Gerätenetzkabels aus der Netzsteckdose unterbrochen werden.



**VORSICHT: Europe**

- Das Netzkabel muß vom Typ HO3VVF3GO.75 (Mindestanforderung) sein und die Aufschrift <HAR> oder <BASEC> tragen.
- Der Netzstecker muß die Norm CEE 717 erfüllen ("SCHUKO").



**VORSICHT:** Der Betrieb dieses Geräts erfolgt unter den SELV-Bedingungen (Sicherheitskleinstspannung) gemäß IEC 950. Diese Bedingungen sind nur gegeben, wenn auch die an das Gerät angeschlossenen Geräte unter SELV-Bedingungen betrieben werden.



**VORSICHT:** RJ-45-Porte. Diese Porte sind geschützte Datensteckdosen. Sie dürfen weder wie normale traditionelle Telefonsteckdosen noch für die Verbindung der Einheit mit einem traditionellem privatem oder öffentlichem Telefonnetzwerk gebraucht werden. Nur RJ-45-Datenanscluß, Telefonnetzsysteme or Netztelefone an diese Steckdosen anschließen.

Entweder geschützte oder ungeschützte Buchsen dürfen an diese Datensteckdosen angeschlossen werden.



**VORSICHT:** Ist kein Erweiterungsmodul installiert, überprüfen Sie bitte den Sitz der Stanzplatte, indem Sie alle Schrauben mit einem geeigneten Werkzeug anziehen.

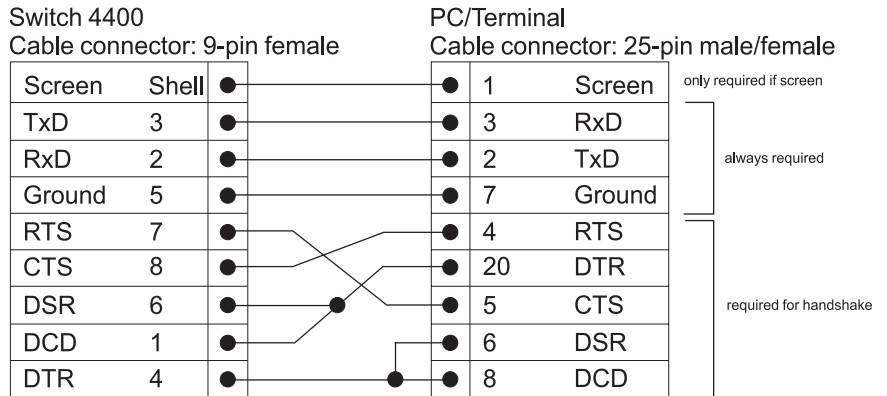


# B

## PIN-OUTS

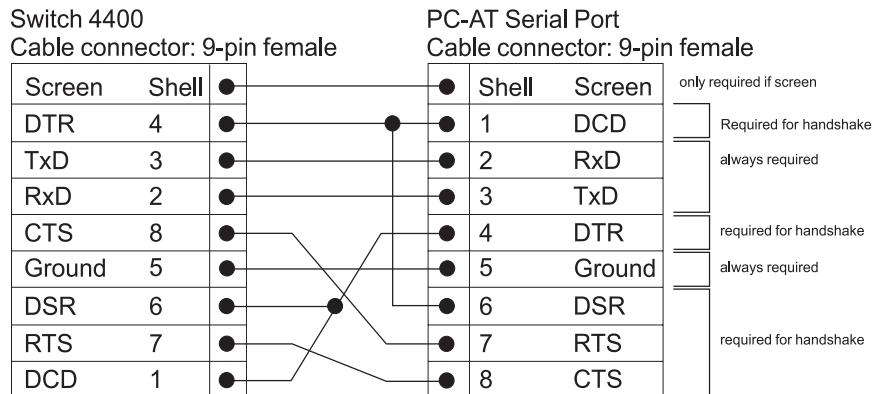
### Null Modem Cable

9-pin to RS-232 25-pin



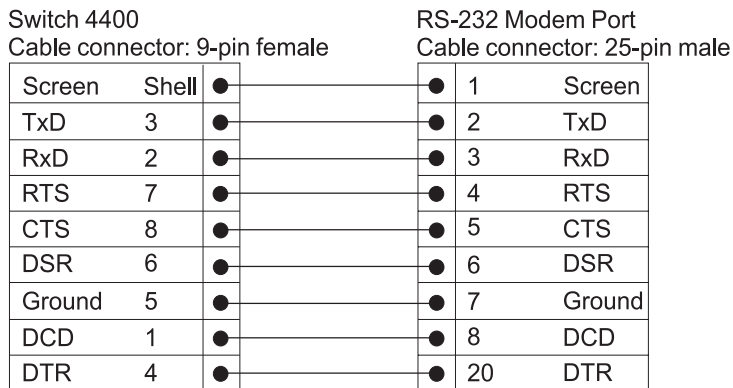
### PC-AT Serial Cable

9-pin to 9-pin



### Modem Cable

9-pin to RS-232 25-pin



### RJ-45 Pin Assignments

Pin assignments are identical for 10BASE-TX and 100BASE-T RJ-45 connectors.

**Table 11** Pin assignments

Pin Number	Signal	Function
<i>Ports configured as MDI</i>		
1	Transmit Data +	Bidirectional Data A+
2	Transmit Data +	Bidirectional Data A-
3	Receive Data +	Bidirectional Data B+
4	Not assigned	Bidirectional Data C+
5	Not assigned	Bidirectional Data C-
6	Receive Data -	Bidirectional Data B-
7	Not assigned	Bidirectional Data D+
8	Not assigned	Bidirectional Data D-

**Table 12** Pin assignments

<b>Pin Number</b>	<b>Signal</b>	<b>Function</b>
<i>Ports configured as MDIX</i>		
1	Receive Data +	Bidirectional Data B+
2	Receive Data -	Bidirectional Data B-
3	Transmit Data +	Bidirectional Data A+
4	Not assigned	Bidirectional Data A-
5	Not assigned	Bidirectional Data D+
6	Transmit Data	Bidirectional Data D-
7	Not assigned	Bidirectional Data C+
8	Not assigned	Bidirectional Data C-





# TECHNICAL SPECIFICATIONS

---

## Switch 4400 (24-port)

**Table 13** Switch 4400 (24-port) Technical Specifications

---

<b>Physical Dimensions</b>	Height: 44 mm (1.7 in.) x Width: 440 mm (17.3 in.) x Depth: 274 mm (10.8 in.) Weight: 2.8 kg (6.2 lbs)
<b>Environmental Requirements</b>	
Operating Temperature	0 ° to 40 °C (32 ° to 104 °F)
Storage Temperature	-40 ° to +70 °C (-40 ° to 158 °F)
Operating Humidity	10–95% relative humidity, non-condensing
Standards	EN60068 to 3Com schedule (Package testing: paras 2.1, 2.2, 2.30, and 2.32. Operational testing: paras 2.1, 2.2, 2.30 and 2.13).
<b>Safety</b>	
Agency Certifications	UL 1950, EN60950, CSA 22.2 No. 950, IEC 60950
<b>EMC</b>	
Emissions	CISPR 22 Class A, EN55022 Class A, FCC Part 15 Subpart B Class A, ICES-003 Class A, AS/NZS 3548 Class A, CNS 13438 Class A, EN61000-3-2, EN61000-3-3
Immunity	EN 55024
<b>Heat Dissipation</b>	75 watts maximum (1300 BTU/hour maximum)
<b>Power Supply</b>	
AC Line Frequency	50/60 Hz
Input Voltage Options	90–240 VAC
Current Rating	2.3 A (amps)(maximum)

(continued)

---

Standards Supported	<b>SNMP</b>	<b>Terminal Emulation</b>
	SNMP protocol (RFC 1157)	Telnet (RFC 854)
	MIB-II (RFC 1213)	<b>Protocols Used for Administration</b>
	Bridge MIB (RFC 1493)	UDP (RFC 768)
	RMON MIB II (RFC 2021)	IP (RFC 791)
	Remote Monitoring MIB (RFC 1757)	ICMP (RFC 792)
	MAU MIB (RFC 2239)	TCP (RFC 793)
		ARP (RFC 826)
		TFTP (RFC 783)
		DHCP (RFC 2131, RFC 2132, RFC 1534)
		BOOTP (RFC 951, RFC 1497)

---

## Switch 4400 (48-port)

**Table 14** Switch 4400 (48-port) Technical Specifications

<b>Physical Dimensions</b>	Height: 44 mm (1.7 in.) x Width: 440 mm (17.3 in.) x Depth: 274 mm (10.8 in.) Weight: 3.2 kg (7.1 lbs)	
<b>Environmental Requirements</b>		
Operating Temperature	0 ° to 40 °C (32 ° to 104 °F)	
Storage Temperature	-40 ° to +70 °C (-40 ° to 158 °F)	
Operating Humidity	10–95% relative humidity, non-condensing	
Standards	EN60068 to 3Com schedule (Package testing: paras 2.1, 2.2, 2.30, and 2.32. Operational testing: paras 2.1, 2.2, 2.30 and 2.13).	
<b>Safety</b>		
Agency Certifications	UL60950, EN60950, CSA 22.2 No. 60950, IEC 60950	
<b>EMC</b>		
Emissions	CISPR 22 Class A, EN55022 Class A, FCC Part 15 Subpart B Class A, ICES-003 Class A, AS/NZS 3548 Class A, VCCI Class A, CNS 13438 Class A, EN61000-3-2, EN61000-3-3	
Immunity	EN 55024	
<b>Heat Dissipation</b>	120 watts maximum (410 BTU/hour maximum)	
<b>Power Supply</b>		
AC Line Frequency	50/60 Hz	
Input Voltage Options	90–240 VAC	
Current Rating	2.8 A (amps)(maximum)	
Standards Supported	<b>SNMP</b>	<b>Terminal Emulation</b>
	SNMP protocol (RFC 1157)	Telnet (RFC 854)
	MIB-II (RFC 1213)	<b>Protocols Used for Administration</b>
	Bridge MIB (RFC 1493)	UDP (RFC 768)
	RMON MIB II (RFC 2021)	IP (RFC 791)
	Remote Monitoring MIB (RFC 1757)	ICMP (RFC 792)
	MAU MIB (RFC 2239)	TCP (RFC 793)
		ARP (RFC 826)
		TFTP (RFC 783)
		DHCP (RFC 2131, RFC 2132, RFC 1534)
		BOOTP (RFC 951, RFC 1497)





# D

## TECHNICAL SUPPORT

3Com provides easy access to technical support information through a variety of services. This appendix describes these services.

Information contained in this appendix is correct at time of publication. For the most recent information, 3Com recommends that you access the 3Com Corporation World Wide Web site.

---

### Online Technical Services

3Com offers worldwide product support 24 hours a day, 7 days a week, through the following online systems:

- World Wide Web site
- 3Com Knowledgebase Web Services
- 3Com FTP site

### World Wide Web Site

To access the latest networking information on the 3Com Corporation World Wide Web site, enter this URL into your Internet browser:

<http://www.3com.com/>

This service provides access to online support information such as technical documentation and software, as well as support options that range from technical education to maintenance and professional services.

### 3Com Knowledgebase Web Services

The 3Com Knowledgebase is a database of technical information to help you install, upgrade, configure, or support 3Com products. The Knowledgebase is updated daily with technical information discovered by 3Com technical support engineers. This complimentary service, which is available 24 hours a day, 7 days a week to 3Com customers and partners, is located on the 3Com Corporation World Wide Web site at:

<http://knowledgebase.3com.com>

**3Com FTP Site** Download drivers, patches, software, and MIBs across the Internet from the 3Com public FTP site. This service is available 24 hours a day, 7 days a week.

To connect to the 3Com FTP site, enter the following information into your FTP client:

- Hostname: **ftp.3com.com**
- Username: **anonymous**
- Password: **<your Internet e-mail address>**



*You do not need a user name and password with Web browser software such as Netscape Navigator and Internet Explorer.*

### Support from Your Network Supplier

If you require additional assistance, contact your network supplier. Many suppliers are authorized 3Com service partners who are qualified to provide a variety of services, including network planning, installation, hardware maintenance, application training, and support services.

When you contact your network supplier for assistance, have the following information ready:

- Product model name, part number, and serial number
- A list of system hardware and software, including revision levels
- Diagnostic error messages
- Details about recent configuration changes, if applicable

If you are unable to contact your network supplier, see the following section on how to contact 3Com.

### Support from 3Com

If you are unable to obtain assistance from the 3Com online technical resources or from your network supplier, 3Com offers technical telephone support services. To find out more about your support options, call the 3Com technical telephone support phone number at the location nearest you.

When you contact 3Com for assistance, have the following information ready:

- Product model name, part number, and serial number

- A list of system hardware and software, including revision levels
- Diagnostic error messages
- Details about recent configuration changes, if applicable

Here is a list of worldwide technical telephone support numbers. These numbers are correct at the time of publication. Refer to the 3Com Web site for updated information.

Country	Telephone Number	Country	Telephone Number
<b>Asia, Pacific Rim</b>			
Australia	1 800 678 515	P.R. of China	10800 61 00137 or
Hong Kong	800 933 486		021 6350 1590 or
India	+61 2 9937 5085 or		00800 0638 3266
	000800 6501111	Singapore	800 6161 463
Indonesia	001 800 61 009	S. Korea	00798 611 2230 or
Japan	03 5783 1270		02 3455 6455
Malaysia	1800 801 777	Taiwan, R.O.C.	00798 611 2230
New Zealand	0800 446 398	Thailand	0080 611 261
Pakistan	+61 2 9937 5083		001 800 611 2000
Philippines	1235 61 266 2602		
<b>Europe, Middle East and Africa</b>			
From anywhere in these regions, call:	+44 (0)1442 435529 phone +44 (0)1442 432524 fax		
<b>Europe and South Africa</b>			
From the following countries, you may use the toll-free numbers:			
Austria	0800 297468	Luxembourg	0800 3625
Belgium	0800 71429	Netherlands	0800 0227788
Denmark	800 17309	Norway	800 11376
Finland	0800 113153	Poland	00800 3111206
France	0800 917959	Portugal	0800 831416
Germany	0800 1821502	South Africa	0800 995014
Hungary	06800 12813	Spain	900 983125
Ireland	1800 553117	Sweden	020 795482
Israel	1800 9453794	Switzerland	0800 55 3072
Italy	800 8 79489	U.K.	0800 966197
<b>Latin America</b>			
Brazil	0800 13 3266	Puerto Rico	800 666 5065
Mexico	01 800 849CARE	Central and South America	AT&T +800 998 2112
<b>North America</b>			
	1 800 NET 3Com (1 800 638 3266)		
	Enterprise Customers: 1 800 876-3266		

## Returning Products for Repair

Before you send a product directly to 3Com for repair, you must first obtain an authorization number. Products sent to 3Com without authorization numbers will be returned to the sender unopened, at the sender's expense.

To obtain an authorization number, call or fax:

Country	Telephone Number	Fax Number
Asia, Pacific Rim	+ 65 543 6500	+ 65 543 6348
Europe, South Africa, and Middle East	+44 (0)1442 435529	+ 44 (0)1442 432524
Central and South America	525 201 0075	
Argentina	0810 222 3266	
Bolivia	511 241 1691	
Brazil	0800 133266 or 55 11 5643 2700	
Caribbean	525 201 0004	
Chile	562 240 6200	
Colombia	525 201 0004	
Ecuador	525 201 0004	
Mexico	525 201 0004	
Paraguay	525 201 0004	
Peru	511 241 1691	
Uruguay	525 201 0004	
Venezuela	525 201 0004	

From the following countries, you may call the toll-free numbers; select option 2 and then option 2:

Austria	0800 297468
Belgium	0800 71429
Denmark	800 17309
Finland	0800 113153
France	0800 917959
Germany	0800 1821502
Hungary	00800 12813
Ireland	1800553117
Israel	1800 9453794
Italy	1678 79489
Netherlands	0800 0227788
Norway	800 11376
Poland	00800 3111206
Portugal	0800 831416
South Africa	0800 995014
Spain	900 983125
Sweden	020 795482
Switzerland	0800 55 3072
U.K.	0800 966197

---

<b>Country</b>	<b>Telephone Number</b>	<b>Fax Number</b>
U.S.A. and Canada	1 800 NET 3Com (1 800 638 3266)  Enterprise Customers: 1 800 876 3266	1 408 326 7120 (not toll-free)

---



# INDEX

---

## Numbers

3C number 22  
 3Com Knowledgebase Web Services 65  
 3Com URL 65

---

## A

access levels of default users 44  
 automatic setup 36  
   3Com Network Supervisor 36  
   console port 36

---

## B

browsers  
   choosing 42

---

## C

cable  
   choosing the correct 24  
   pin-outs 57  
 cascade cable 23  
 Cascade Extender Kit 23  
 Cascade Stacking Kit 23  
 CD-ROM 9  
 command line interface  
   management 39  
 console port 17  
 conventions  
   notice icons, About This Guide 8  
   text, About This Guide 8  
 cross-over configuration 24

---

## D

default  
   settings 18  
   users 44

---

## E

Ethernet address of the Switch 22

---

## F

factory defaults 18

---

## H

hardware features 12

---

## I

initial switch setup 30  
 installing the Switch 19  
   prerequisites 20  
 IP addressing  
   registered 49  
 IP configuration 28

---

## L

LEDs 15  
 logging in as a default user 44

---

## M

MAC address of the Switch 22  
 management  
   methods 39  
   preparing for 30  
   setting up 27, 28  
 manual setup 31  
   console port 33  
   front panel port 31  
 MDI configuration 24  
 MDIX configuration 24  
 MIBs 66

---

## N

network supplier support 66

---

## O

online technical services 65

---

## P

passwords  
   of default users 44  
 pin assignments  
   modem cable 58  
   null modem cable 57  
   RJ45 58  
   serial cable 57

---

pin-outs 57  
 ports  
   console 17  
 power socket 17  
 powering-up a Switch 4400 23  
 problem solving 45  
   communication problems 48  
   hardware problems 47  
   IP addressing 47  
   LEDs 46  
 product name 22

---

**R**

rack mounting a Switch 4400 21  
 Redundant Power System. *See* RPS  
 returning products for repair 68  
 RPS 17  
   connecting 24  
   socket 17

---

**S**

safety information  
   English 52  
   French 53  
   German 55  
 serial number of the Switch 22  
 serial port. *See* console port  
 Simple Network Management Protocol. *See* SNMP  
 SNMP 43  
 SNMP management 40  
   setting up 43  
 socket  
   power 17  
   RPS 17  
 software features 13  
 specifications, system 61  
 stacking a Switch 4400 23  
 straight-through configuration 24  
 Switch 4400  
   3C number 22  
   automatic setup 36  
   console port 17  
   dimensions 61  
   Ethernet address 22  
   features 12, 13  
   initial setup 30  
   installation 19, 20  
   MAC address 22  
   manual setup 31  
   power socket 17  
   powering-up 23

product name 22  
 rack mounting 21  
 RPS socket 17  
 serial number 22  
 size 61  
 stacking 22  
 unit information label 22  
 weight 61  
 system specifications 61

---

**T**

technical support  
   3Com Knowledgebase Web Services 65  
   3Com URL 65  
   network suppliers 66  
   product repair 68  
 troubleshooting 45

---

**U**

unit information label 22  
 URL 65

---

**W**

Web browsers  
   choosing 42  
 web interface  
   choosing a browser 42  
 web interface management 40  
   setting up 42  
 World Wide Web (WWW) 65



## REGULATORY NOTICES

---

### FCC STATEMENT

This equipment has been tested and found to comply with the limits for a Class A digital device, pursuant to part 15 of the FCC rules. These limits are designed to provide reasonable protection against harmful interference when the equipment is operated in a commercial environment. This equipment generates, uses and can radiate radio frequency energy and, if not installed and used in accordance with the instructions, may cause harmful interference to radio communications. Operation of this equipment in a residential area is likely to cause harmful interference to radio communications, in which case the user will be required to correct the interference at their own expense.

### INFORMATION TO THE USER

If this equipment does cause interference to radio or television reception, which can be determined by turning the equipment off and on, the user is encouraged to try to correct the interference by one or more of the following measures:

- Reorient the receiving antenna.
- Relocate the equipment with respect to the receiver.
- Move the equipment away from the receiver.
- Plug the equipment into a different outlet so that equipment and receiver are on different branch circuits.

If necessary, the user should consult the dealer or an experienced radio/television technician for additional suggestions. The user may find the following booklet prepared by the Federal Communications Commission helpful:

*How to Identify and Resolve Radio-TV Interference Problems*

This booklet is available from the U.S. Government Printing Office, Washington, DC 20402, Stock No. 004-000-00345-4.

In order to meet FCC emissions limits, this equipment must be used only with cables which comply with IEEE 802.3.

### CSA STATEMENT

This Class A digital apparatus meets all requirements of the Canadian Interference-Causing Equipment Regulations.

Cet appareil numérique de la classe A respecte toutes les exigences du Règlement sur le matériel brouilleur du Canada.

### CE STATEMENT (EUROPE)

This product complies with the European Low Voltage Directive 73/23/EEC and EMC Directive 89/336/EEC as amended by European Directive 93/68/EEC.

Warning: This is a class A product. In a domestic environment this product may cause radio interference in which case the user may be required to take adequate measures.

### VCCI STATEMENT

この装置は、情報処理装置等電波障害自主規制協議会（VCCI）の基準に基づくクラスA情報技術装置です。この装置を家庭環境で使用すると電波妨害を引き起こすことがあります。この場合には使用者が適切な対策を講ずるよう要求されることがあります。

### BSMI STATEMENT

警告使用者：這是甲類的資訊產品，在居住的環境中使用時，可能會造成射頻干擾，在這種情況下，使用者會被要求採取某些適當的對策。



## Free Manuals Download Website

<http://myh66.com>

<http://usermanuals.us>

<http://www.somanuals.com>

<http://www.4manuals.cc>

<http://www.manual-lib.com>

<http://www.404manual.com>

<http://www.luxmanual.com>

<http://aubethermostatmanual.com>

Golf course search by state

<http://golfingnear.com>

Email search by domain

<http://emailbydomain.com>

Auto manuals search

<http://auto.somanuals.com>

TV manuals search

<http://tv.somanuals.com>