



# Dynapro™

## Installing the Desktop Stand

ET 350 Monitor and ET 3250/55 Computers

### Intended Use

When properly installed using the materials provided, and according to these instructions, the desktop stand is intended to mount the ET 350 monitor and the ET 3250/55 computers for use on desktop or other flat surface.



### Warning

**Read and understand all safety information before installing and using this product.**

**To reduce the risk of fire or electric shock which could result in serious personal injury or death:**

- Follow all product and accessory installation instructions.



### Caution

**To reduce the risk of the ET unit tipping over, which may result in minor or moderate personal injury:**

Do not open the bezel of the unit while it is mounted on the desktop stand.

## Equipment

### Materials provided

The Desktop Stand Kit includes:

- 1 pivot plate with rubber foot
- 1 mounting bracket
- 1 angle bracket with rubber foot
- 1 knob
- 7 #10-32 ½-inch screws and lock washers

### Tool required

- Phillips No. 2 torque screwdriver

### Installing the desktop stand

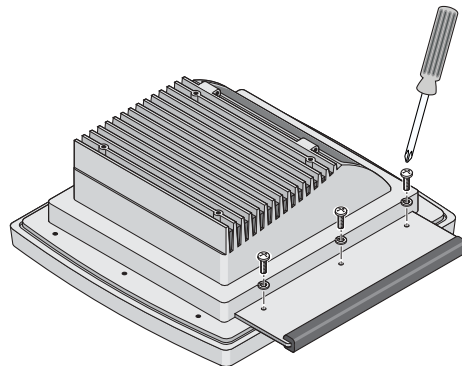
The desktop stand is a three-piece assembly:

- Pivot plate with rubber foot attaches to the bottom of the unit.
- Mounting bracket attaches to the back of the unit.
- Angle bracket attaches to the mounting bracket.

Place foam pads or other material on a flat surface to protect the unit's bezel and touch screen and set the ET unit face-down on this surface while installing the desktop stand.

### Attaching the pivot plate

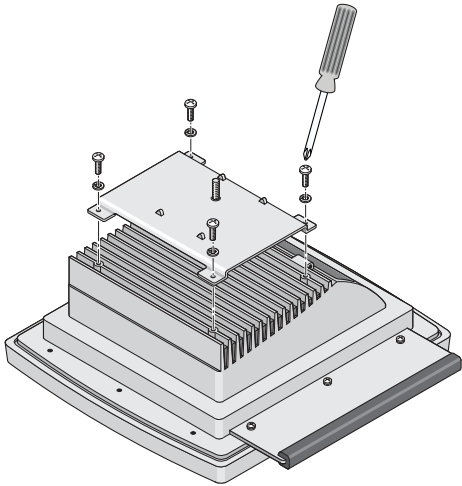
- Through each of three #10-32 ½-inch screws, thread a lock washer.
- Thread the screws with lock washers through the three holes on the back of the pivot plate.
- Position the pivot plate so that each screw is aligned with a hole on the back of the unit.
- Use the screwdriver to tighten the screws to a torque of 10 inch-pounds.



30032

### Attaching the mounting bracket

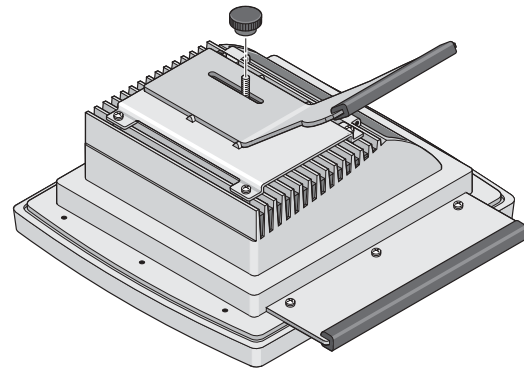
1. Thread one of each of the remaining four lock washers through one of each of the remaining four screws.
2. Thread the screws and lock washers through the four holes on the back of the mounting bracket.
3. Position the mounting bracket so that each is aligned with a hole on the back of the unit.
4. Use the screwdriver to tighten the screws to a torque of 10 inch-pounds



30033

### Attaching the angle bracket

Use the knob provided to attach the angle bracket to the mounting bracket. To adjust the viewing angle of the display up or down, slide the angle bracket up or down in the slot before tightening the knob.



30034

## Copyright

This manual is © 3M 2002. All rights reserved.

Reproduction of the contents of this copyrighted manual in whole or in part, by any means, electronic or mechanical, for any purpose, without written permission of 3M Touch Systems, a subsidiary of 3M, is prohibited.

## Notice

Given the variety of factors that can affect the use and performance of a 3M Touch Systems Product, including that solid state equipment has operation characteristics different from electromechanical equipment, some of which factors are uniquely within User's knowledge and control, it is essential that User evaluate the 3M Touch Systems product to determine whether it is suitable for User's particular purpose and suitable for User's method of application. 3M Touch Systems' statements, engineering/technical information, and recommendations are provided for User's convenience, but their accuracy or completeness is not warranted. 3M Touch Systems products are not specifically designed for use in medical devices as defined by United States federal law. 3M Touch Systems products should not be used in such applications without 3M Touch Systems' express written consent. User should contact its sales representative if User's opportunity involves a medical device application.

## Important notice to purchaser

Specifications are subject to change without notice. 3M Touch Systems' Products are warranted to meet their published specifications from the date of shipment and for

the period stated in the specification. **3M Touch Systems makes no additional warranties, express or implied, including but not limited to any implied warranties of merchantability or fitness for a particular purpose.**

User is responsible for determining whether the 3M Touch Systems Products are fit for User's particular purpose and suitable for its method of production, including intellectual property liability for User's application. If a Product is proven not to have met 3M Touch Systems' warranty, then 3M Touch Systems' sole obligation and User's and Purchaser's **exclusive remedy**, will be, at 3M Touch Systems' option, to repair or replace that Product quantity or to refund its purchase price. 3M Touch Systems has no obligation under 3M Touch Systems' warranty for any Product that has been modified or damaged through misuse, accident, neglect, or subsequent manufacturing operations or assemblies by anyone other than 3M Touch Systems. **3M Touch Systems shall not be liable in any action against it in any way related to the Products for any loss or damages, whether non-specified direct, indirect, special, incidental or consequential (including downtime, loss of profits or goodwill) regardless of the legal theory asserted.** (11/01)

## Edition

Second edition: January 2002

Document Number: 13892 (Rev. 1.1)

## Trademark

3M Dynapro is a trademark of 3M.



**3M Touch Systems**  
**3M Optical Systems Division**

800 Carleton Court  
Annacis Island  
New Westminster, BC  
Canada V3M 6L3  
[www.3Mtouch.com](http://www.3Mtouch.com)

Worldwide Manufacturing Plants

Austin, Texas  
Methuen, Massachusetts  
Milwaukee, Wisconsin  
Vancouver, BC, Canada  
Abingdon, UK

**For more information on 3M touch products, visit**  
**[3Mtouch.com](http://3Mtouch.com) or call toll-free 1-800-667-0374.**

© 3M 2002  
13892 (Rev. 1.1)

## Free Manuals Download Website

<http://myh66.com>

<http://usermanuals.us>

<http://www.somanuals.com>

<http://www.4manuals.cc>

<http://www.manual-lib.com>

<http://www.404manual.com>

<http://www.luxmanual.com>

<http://aubethermostatmanual.com>

Golf course search by state

<http://golfingnear.com>

Email search by domain

<http://emailbydomain.com>

Auto manuals search

<http://auto.somanuals.com>

TV manuals search

<http://tv.somanuals.com>