



Digital Media System 800 Series

Product Safety Guide

Guía de la seguridad del producto

Produktsicherheit Führer

Guide de sécurité du produit

产品安全指南

제품 안전 가이드

製品安全ガイド

Guida di sicurezza di prodotto



Contents

Introduction

Thank You for Choosing 3M	5
---------------------------------	---

Safety Information

Intended Use:	6
SAVE THESE INSTRUCTIONS	8
Trademarks	8
Warranty; Limited Remedy; Limited Liability.....	8

What's in the Box

Shipping Contents.....	10
What's Next?.....	10

Product Description

Machine Characteristics.....	11
Parts Identification List.....	11

Installation & System Setup

Setting Up the Projector	12
--------------------------------	----

Maintenance

Replacing Projection Lamp	16
Reset Lamp Hours	17

Introduction

Thank You for Choosing 3M

Thank you for choosing 3M equipment. This product has been produced in accordance with 3M's quality and safety standards to provide smooth and trouble free use in the years to come.

For optimum performance, please follow the operating instructions carefully. We hope you will enjoy using this high performance product in your meetings, presentations, and training sessions.

Safety Information

Please read, understand, and follow all safety information contained in these instructions prior to the use of the 3M™ Digital Media System 800 Series. Retain these instructions for future reference.

Intended Use:

The 3M™ Electronic Digital Media System 800 Series was designed, built and tested for use indoors, using 3M™ brand lamps, 3M™ brand wall mount hardware and nominal local voltages. This projector is not intended for household use or use by children. The use of other replacement lamps, outdoor operation or different voltages has not been tested and could damage the projector or peripheral equipment and/or create a potentially unsafe operating condition.

3M™ Multimedia projectors are designed to operate in a normal office and home environment.

- 16° to 29°C (60° to 85°F)
- 10-80% RH (without condensation)
- 0-1828 m (0-6000 feet) above sea level

The ambient operating environment should be free of airborne smoke, grease, oil and other contaminants that can affect the operation or performance of the projector.

Use of this product in adverse conditions will void the product warranty.

Explanation of Signal Words and Symbols in Safety Labels and Instructions

WARNING: Indicates a potentially hazardous situation, which if not avoided, could result in death or serious injury and/or property damage.

CAUTION: Indicates a potentially hazardous situation, which if not avoided, may result in minor or moderate injury and/or property damage.



Warning: Hazardous Voltage



Warning: Hot Surface – High Temperature Lamp



Attention: Read Accompanying Documentation

⚠ WARNING

- **To reduce the risk associated with hazardous voltage:**
 - Do not remove any screws other than those specified in the lamp replacement instructions.
 - Always plug projector into a grounded outlet.
 - Do not use in wet environments.
 - Do not use in an outdoor environment.
 - Replace the power cord if damaged.
 - Do not attempt to service the projector other than performing routine lamp replacement. Service should only be performed by a 3M authorized service provider. Aside from the projection lamp module, there are no user serviceable parts inside the unit.
 - Do not modify this projector or power cord.
 - Disconnect power cord when the projector is not in use, during lamp replacement, and while cleaning.
 - Do not allow water or other liquids to enter the projector.
- **To reduce the risk associated with hazardous voltage and/or fire:**
 - Use a properly rated extension cord. Consult an electrical professional if you have questions.
- **To reduce the risk associated with hot surface of lamp cartridge:**
 - Wait at least 60 minutes for the lamp assembly to cool before replacing.
- **To reduce the risk associated with choking:**
 - Keep batteries away from children and pets.
- **To reduce the risk associated with environmental contamination due to mercury:**
 - Hg: Lamp in this product contains mercury. Dispose of lamp according to local, state, or federal laws. See www.lamprecycle.org or call 1-800-328-1371.
- **To reduce the risk associated with lamp rupture related hazards:**
 - In event of lamp rupture, call 3M authorized service provider for repair. Ruptured lamp repair is not user serviceable.
 - Wash your hands thoroughly if contact with ruptured lamp debris has taken place.
 - Ventilate the area where the lamp rupture occurs. The lamp operates at high temperature.
- **To reduce the risk associated with hazard voltage, and/or impact, and/or tripping, and/or intense visible light:**
 - Do not use this projector around unsupervised children.
- **To reduce the risk associated with muscular strain:**
 - Always use more than one person when installing or removing the projector.
- **To reduce the risk associated with impact, and/or pinch:**
 - Use only 3M supplied wall mounting hardware.
 - Follow all installation instructions carefully.
 - Make sure mounting hardware is securely anchored to a solid structure.
 - Make sure set screws are properly secured to wall mounting plate.
- **To reduce the risk associated with impact:**
 - Use only on smooth or level flat surfaces.
 - Do not use on a structure that is prone to vibration, movement, or chance of impact.
 - Do not hang on, or place weight on the projection arm.
- **To reduce the risk associated with various hazards related to the projector:**
 - Please read, understand and follow all safety information contained in the operator and product safety guide prior to installation and use.
- **To reduce the risk associated with sharps, premature lamp failure, exposure to mercury:**
 - Always handle the fragile lamp module with care.
 - Replace the lamp module when the lamp replacement message appears.
 - Never replace the lamp module with a previously used lamp module.
- **To reduce the risk associated with radio interference**
 - This is a Class A product. In a domestic environment, this product may cause radio interference in which case the user may be required to take adequate measures.

⚠ CAUTION

- **To reduce the risk associated with pinch:**
 - Use caution when latching or unlatching the variable position arm collar.
- **To reduce the risk associated with explosion, and/or chemicals from leaking battery:**
 - Use only with battery type AA.
 - Orient the battery's plus (+) and minus (-) terminals according to the markings found on the remote control.
 - Do not leave the battery in the remote for an extended period of time.
 - Do not heat, disassemble, short, recharge, or expose the batteries to fire or high temperature.
 - Do not carry batteries loose in your pocket or purse.
 - Avoid eye and skin contact in the event that battery would leak.
 - Do not mix used and new batteries.
- **To reduce the risk associated with tripping, and/or impact:**
 - Position the power cord and data cable so that they can not be tripped over.
- **To reduce the risk associated with environmental contamination due to battery chemicals and lead:**
 - Dispose of exhausted batteries and product components in accordance with applicable federal, state and local regulations.

**SAVE THESE INSTRUCTIONS**

The information contained in this manual will help you operate and maintain your 3M™ Digital Media System 800.

Trademarks

The 3M logo and 3M are registered trademarks of 3M Company. Vikuiti is a trademark of 3M Company.

Microsoft, Windows, Windows NT, Word, Excel, PowerPoint, Internet Explorer, and NetMeeting are either registered trademarks or trademarks of the Microsoft Corporation in the United States and/or other countries.

Intel and Pentium are registered trademarks of Intel corporation or its subsidiaries in the U.S. and other countries.

Digital Light Processing is a trademark or registered trademark of Texas Instruments.

eBeam, e-Beam, eBeam Mouse, eBeam Moderator, eBeam Software, ImagePort and eBeam Presenter are registered trademarks of Luidia, Inc.

Warranty; Limited Remedy; Limited Liability

This product will be free from defects in material and manufacture for a period of one year from the date of purchase. 3M MAKES NO OTHER WARRANTIES INCLUDING, BUT NOT LIMITED TO, ANY IMPLIED WARRANTY OF MERCHANTABILITY OR FITNESS FOR A PARTICULAR PURPOSE. If this product is defective within the warranty period stated above, your exclusive remedy shall be, at 3M's option, to replace or repair the 3M product or refund the purchase price of the 3M product. **Except where prohibited by law, 3M will not be liable for any indirect, special, incidental or consequential loss or damage arising from this 3M product, regardless of the legal theory asserted.** To obtain warranty service outside of the USA, immediately notify the dealer from which you purchased the product of any defects. In the USA call 1-800-328-1371 for warranty or repair service.

The warranty for lamps that are included as original equipment in the projectors is for parts only and is effective for a period of 90 days after the date of purchase of the projector or 180 hours of lamp usage, whichever occurs first.

Important: The above warranty shall be void if the customer fails to operate product in accordance with 3M's written instructions. This warranty gives you specific legal rights and you may have other rights that vary from state to state.

REGULATORY NOTICES

FCC STATEMENT - CLASS A: This equipment generates, uses and can radiate radio frequency energy, and if not installed and used in accordance with the instruction manual may cause interference to radio communications. It has been tested and found to comply with the limits for a Class “A” computing device pursuant to Subpart B of Part 15 of the FCC Rules, which are designed to provide reasonable protection against such interference when operated in a commercial environment. Operation of this equipment in a residential area is likely to cause interference in which case the user at his/her own expense will be required to take whatever measures may be required to correct the interference.

EEC STATEMENT

- This machine was tested against the 89/336/EEC (European Economic Community) for EMC (Electro Magnetic Compatibility) and fulfills these requirements.
- This machine was tested against the 73/23/EEC (European Economic Community) for LVD (Low Voltage Directive) and fulfills these requirements.

This product is compliant with EU Directive 2002/95/EC (Restriction of Hazardous Substances in Electrical and Electronic Equipment), as amended by Commission Decision 2005/618/EC on maximum concentration values.

This product is compliant with EU Directive 2002/96/EC on Waste Electrical and Electronic Equipment (WEEE).

What's in the Box

Shipping Contents

The Digital Media System 800 is shipped with some of the necessary cables required for standard VCR, PC or laptop computer connections. Carefully unpack and verify that you have all of the items shown below. If any of these items are missing, please contact your place of purchase.

1. Digital Media System 800
2. Remote Control (Two AA Batteries included)
3. Universal Power Cable (5m)
4. Control Panel
5. Operator's Guide

Keep Your Packing Materials

Save the shipping box and packing materials in the event the Digital Media System 800 should require shipping to a 3M Service Center for repair. Use packing material to protect projector.

What's Next?

Take a few minutes to familiarize yourself with the Digital Media System 800 machine characteristics and then turn to Installation and System Setup.

We hope you will enjoy using this high performance product in your meetings, presentations and training sessions. This product has been produced in accordance with 3M's highest quality and safety standards to ensure smooth and trouble-free use in the years to come.

Product Description

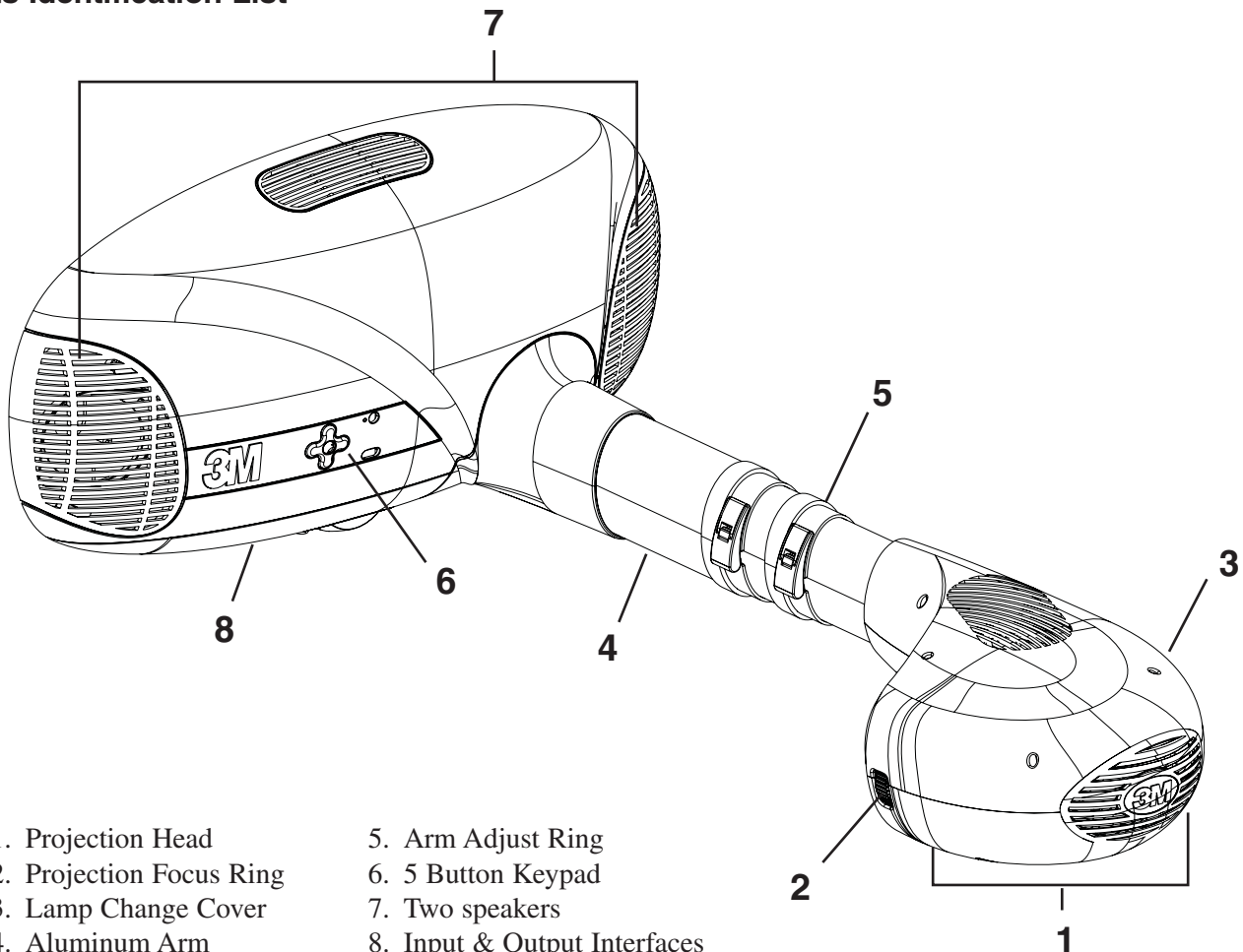
Machine Characteristics

The Digital Media System 800 integrates metal halide lamp and Digital Light Processor (DLP) technology. It accepts input from computer and/or video sources and projects a super bright image.

The Digital Media System 800 offers the following features:

1. One panel 0.7" DDR DMD projection system
2. Vikuiti™ Super Close Projection (SCP) technology
3. VGA/SVGA/XGA/SXGA/MAC/(UXGA) PC compatibility
4. NTSC/PAL/SECAM/Composite/S-video/Component (YPbPr/YCbCr)/SDTV (480i, 576i)/EDTV (480p, 576p) /HDTV (720p & 1080i) video compatibility, ability to display 16.7 million colors
5. Auto Image synchronization (Auto-tracking / frequency /position adjustment/source detect/Phase detect)
6. Automatically saves user settings
7. On-screen menu with 9 languages (English, French, German, Portuguese, Spanish, Italian, Japanese, Tradition Chinese, and Simplified Chinese)
8. Built-in 20W x 2 speakers
9. Self protect timer for hot re-strike of compact P-VIP lamp

Parts Identification List



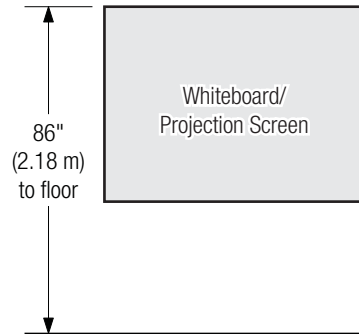
- | | |
|--------------------------|------------------------------|
| 1. Projection Head | 5. Arm Adjust Ring |
| 2. Projection Focus Ring | 6. 5 Button Keypad |
| 3. Lamp Change Cover | 7. Two speakers |
| 4. Aluminum Arm | 8. Input & Output Interfaces |

Installation & System Setup

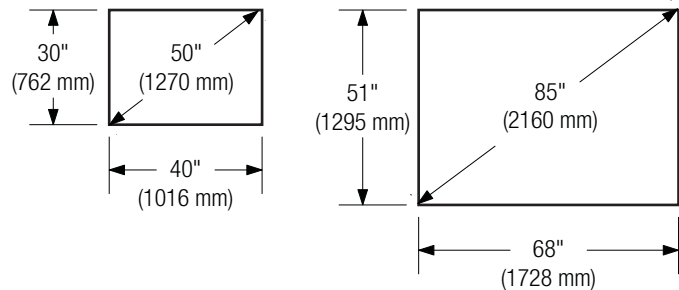
ENGLISH

Setting Up the Projector

1. Mount whiteboard/projection screen in desired location on wall if necessary. The top of the whiteboard/projection screen should be at least 86" (2.18 m) from the floor.



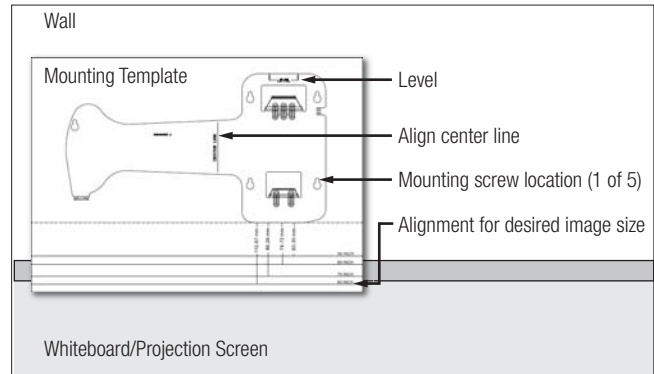
2. The Digital Media System 800 Series can project an image size between 50" (1,270 mm) and 85" (2,160 mm), measured diagonally (when mounted on the same plane as the projected surface). Measure the whiteboard if necessary to determine the size image you intend to use.



3. **(Digital Media System 800, 815 Only)** Attach the paper mounting template to the wall above the whiteboard/projection screen. The center line of the template should be aligned with the center of the desired projection area.

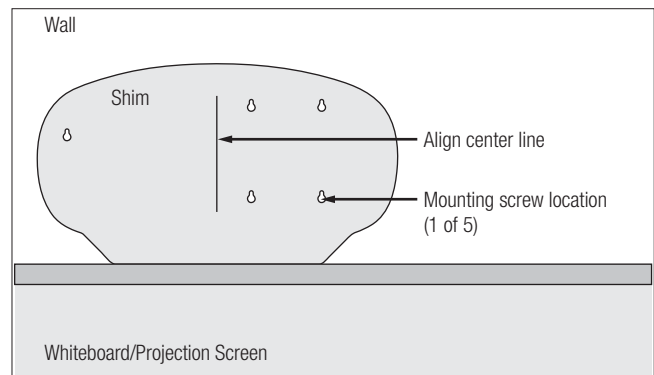
Align the appropriate line on the template with the top of the whiteboard/projection screen according to the image size.

Ensure that the "level" line on the template is level. Mark the five mounting screw locations on the wall. Remove the template.

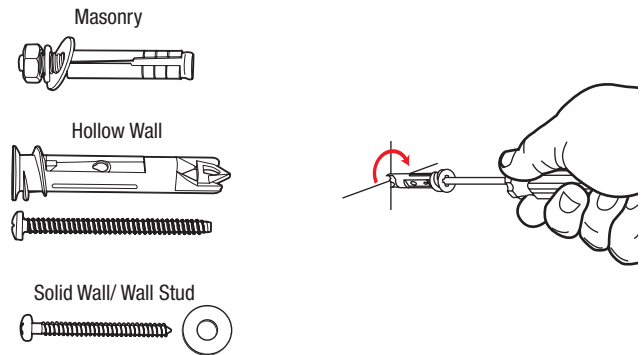


4. **(Digital Media System 810 Only)** Rest a mounting shim on the top of the whiteboard/projection screen. The center line of the shim should be aligned with the center of the desired projection area.

Mark the five mounting screw locations on the wall. Remove the shim.



- Determine the appropriate anchor to use with your wall type. Install five anchors at the marked locations. Install, but do not tighten, five mounting screws.

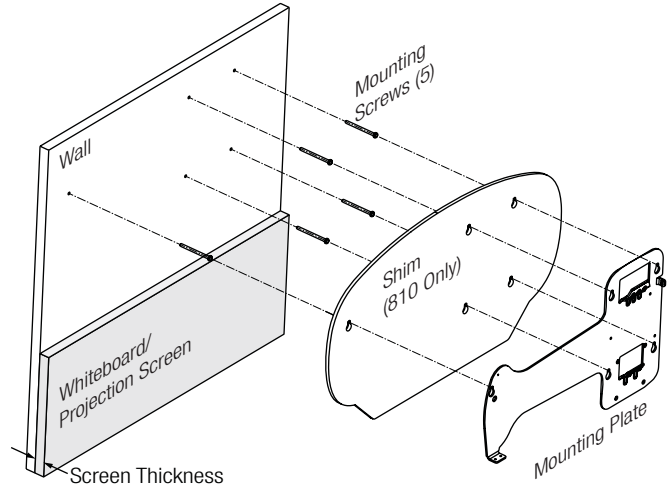


- (Digital Media System 810 Only)** Measure the thickness of the whiteboard/projection screen to determine the number of shims needed.

Screen Thickness	Number of Shims
0–1" (0–25 mm)	0
1–1.25" (25–32 mm)	1
1.25–1.5" (32–38 mm)	2
1.5–2" (38–51 mm)	3 (maximum)

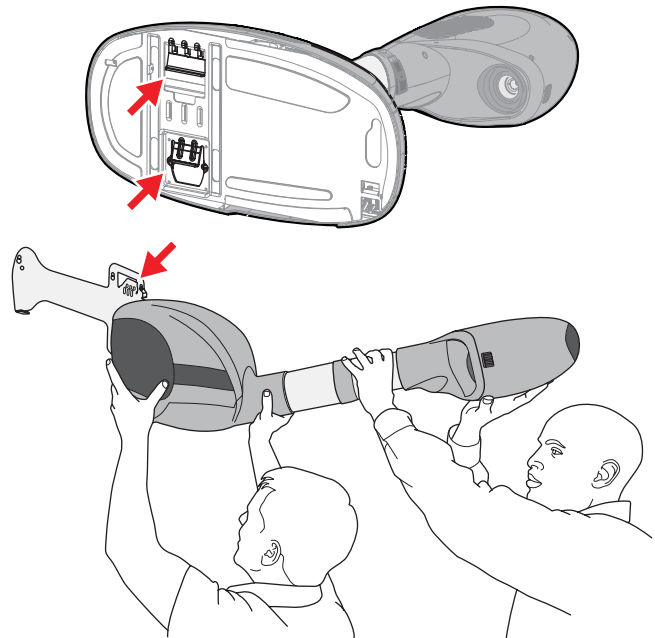
Hang mounting shim(s) on the screws.

- Hang the metal mounting plate on the screws and tighten securely.



- Hang the projector by aligning and hooking the unit on the metal mounting plate.

Note: Ensure locking pin is engaged. You should hear a click once the unit is securely on mounting plate.

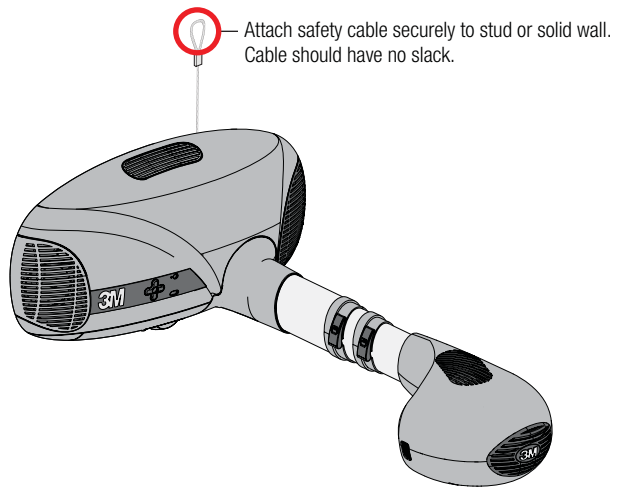


- Using 2 people, slightly push up on the unit to make sure unit is locked on mounting plate

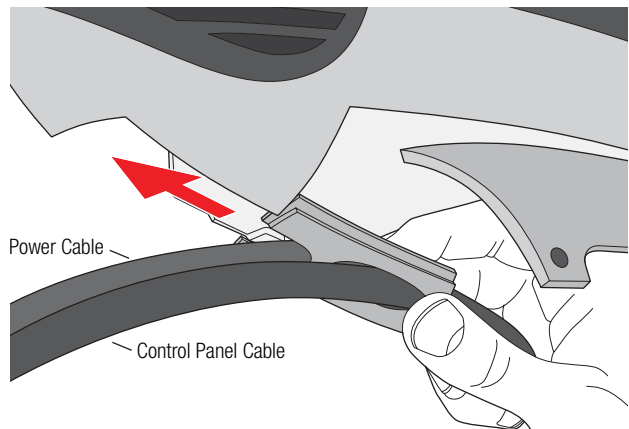
ENGLISH

- Attach the safety cable securely to the wall with an appropriate anchor.

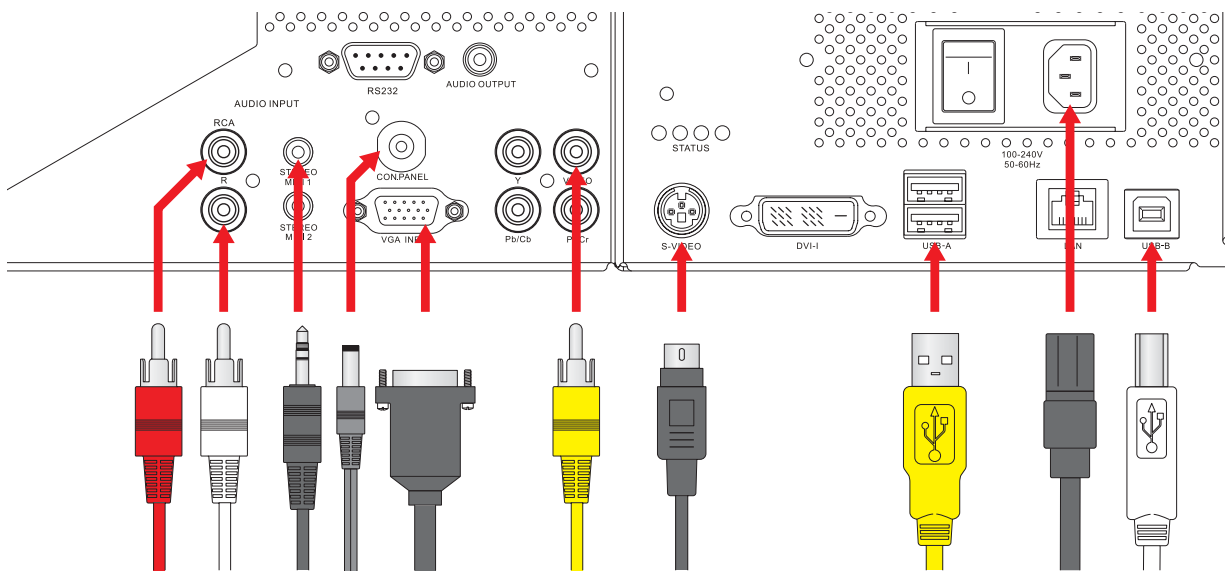
Note: Fully extend safety cable and then secure to wall. If necessary, use tie wraps to minimize cable slack.



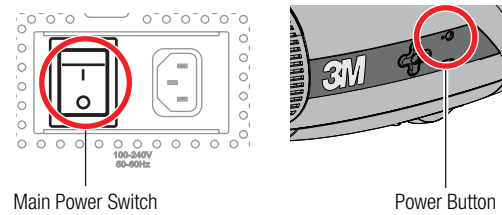
- Slide the control panel cable tab into the slot at the bottom left of the unit.



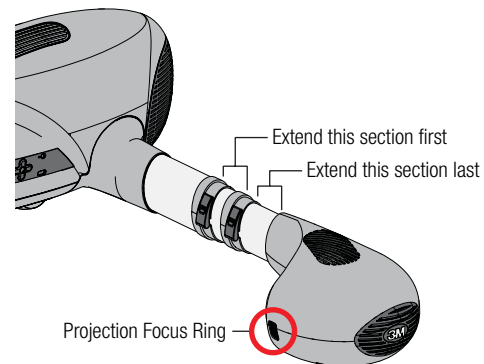
- Connect the control panel and power cables as shown.



13. **(Digital Media System 815 Only)** Attach the Annotation Pod as shown on pages 8–9 of the *Digital Media System 815 eBeam™ Software for Interactive Whiteboard Operator's Guide*.
14. Start up the projector by switching on the main power switch, then pressing the power button on the projector, the control panel or the remote.

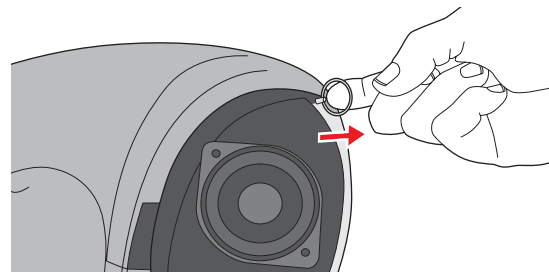


15. Adjust the projector arm length to achieve the desired image size. Extend the section of the arm closest to the base first by loosening the clamp, sliding the arm out, and tightening the clamp. Extend the second section of the arm as needed.
16. Focus the image by turning the projection focus ring.



17. To adjust the position of the image on the screen, refer to the *Digital Media System 800 Series Image Alignment Guide*.
18. To remove the projector from the wall, remove the right speaker grill and pull the locking ring out. Carefully lift the projector off the mounting plate.

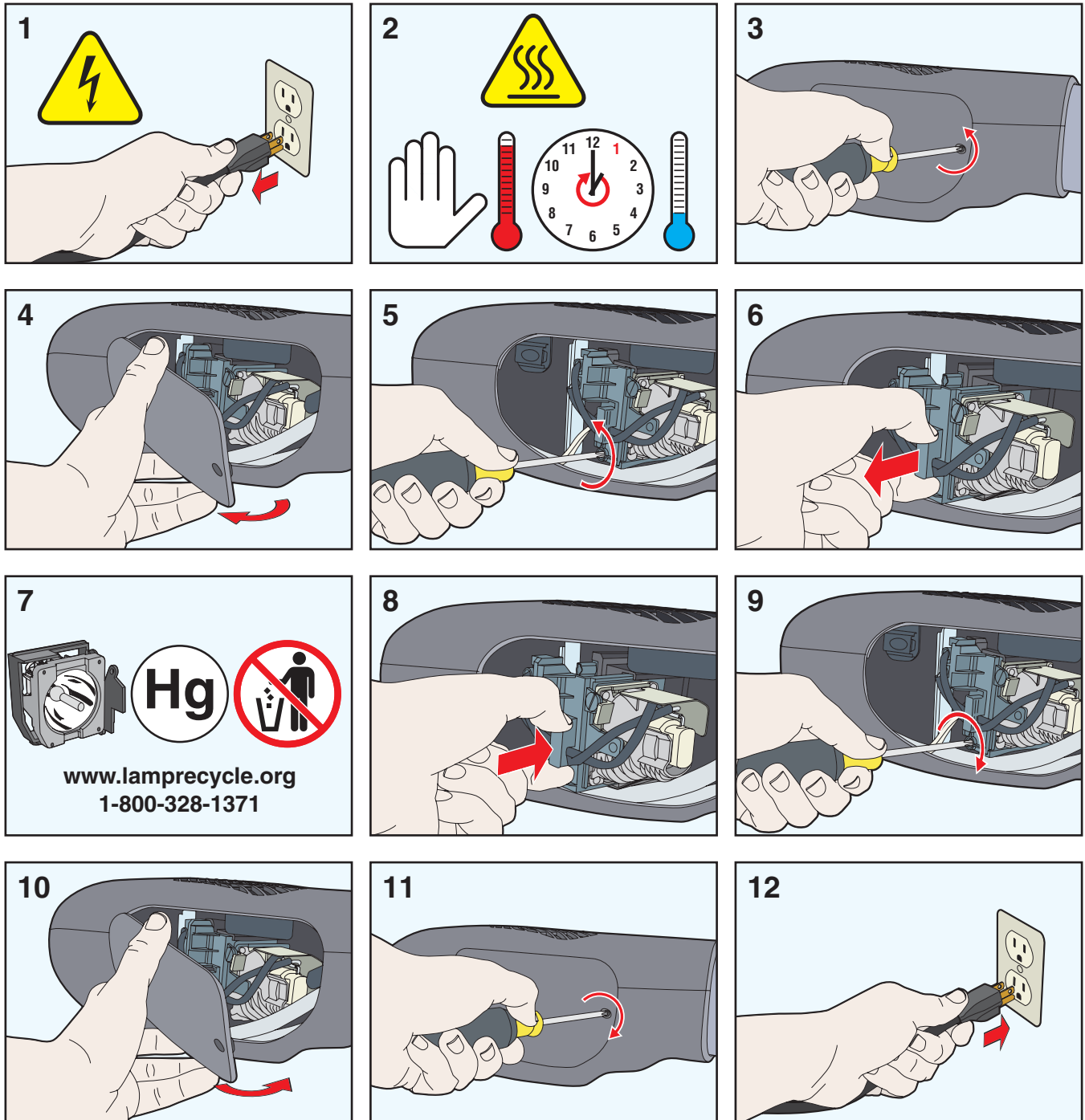
Note: *The locking ring may be temporarily retained in the unlocked position by sliding it into the recess in the corner of the speaker housing.*



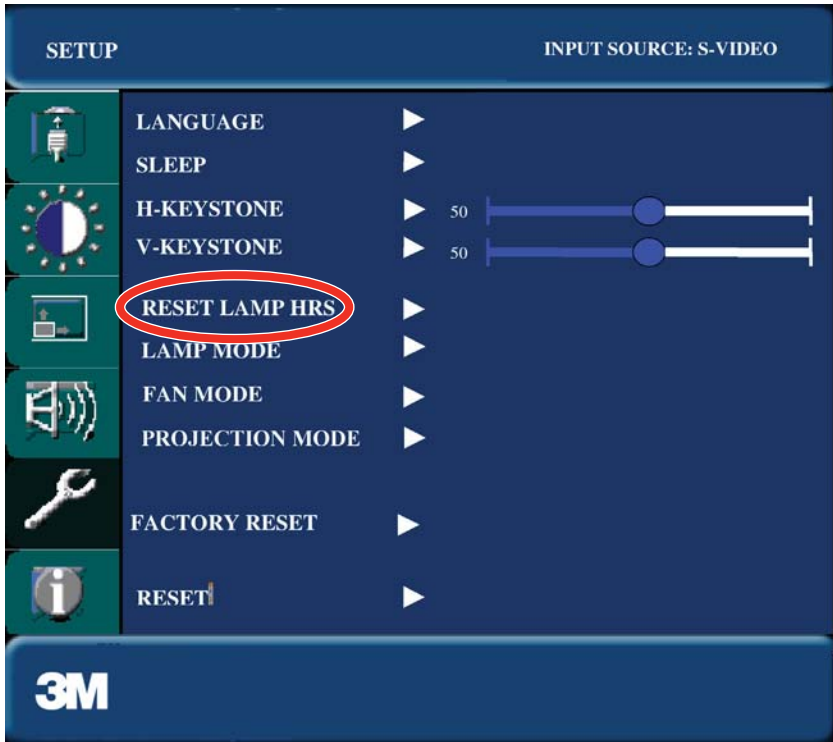
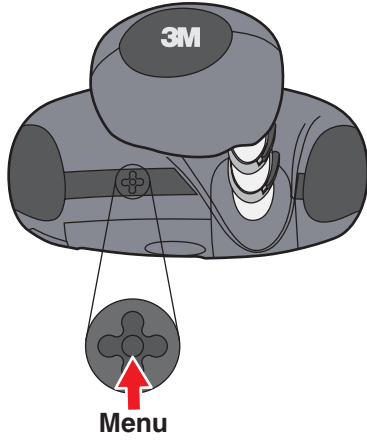
Maintenance

ENGLISH

Replacing Projection Lamp



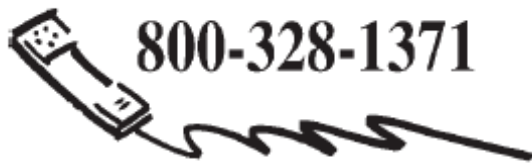
Reset Lamp Hours



ENGLISH

Important Notice

All statements, technical information, and recommendations related to 3M's products are based on information believed to be reliable, but the accuracy or completeness is not guaranteed. Before using this product, you must evaluate it and determine if it is suitable for your intended application. You assume all risks and liability associated with such use. Any statements related to the product which are not contained in 3M's current publications, or any contrary statements contained on your purchase order shall have no force or effect unless expressly agreed upon, in writing, by an authorized officer of 3M.

Technical Support Contact:**800-328-1371****<http://www.3m.com/meetings>
e-mail: meetings@mmm.com****3M Austin Center**

Building A145-5N-01
6801 River Place Blvd.
Austin, TX 78726-9000

3M Canada

P.O. box 5757
London, Ontario
N6A 4T1

3M Mexico, S.a. de C.V.

Apartado Postal 14-139
Mexico, D.F. 07000
Mexico

3M Europe

Boulevard de l'Oise
95006 Cerge Pontoise Cedex
France



*Printed on 50% recycled
wastepaper, including 10%
Post-consumer*

Litho in USA
© 3M 2007
78-6970-9477-5

Free Manuals Download Website

<http://myh66.com>

<http://usermanuals.us>

<http://www.somanuals.com>

<http://www.4manuals.cc>

<http://www.manual-lib.com>

<http://www.404manual.com>

<http://www.luxmanual.com>

<http://aubethermostatmanual.com>

Golf course search by state

<http://golfingnear.com>

Email search by domain

<http://emailbydomain.com>

Auto manuals search

<http://auto.somanuals.com>

TV manuals search

<http://tv.somanuals.com>