



FL2000 Series Fiber Optic Panel

Introduction



Single Fiber Access



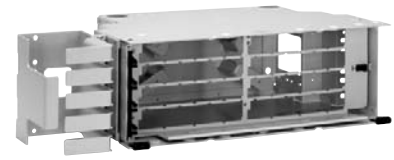
Swing-out Bulkhead
(Allows Full Access)

The FL2000 system is a flexible and modular series of fiber products for today's and tomorrow's evolving communications and data networks.

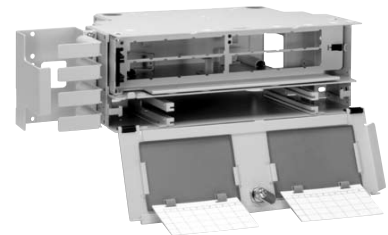
This product family is a complete line of modular panels developed for rack and wall mounting. The system is fully adaptable to small distribution frames, telephone closet (TC) applications, or active equipment racks. FL2000 panels are designed for both 19- and 23-inch EIA rack or cabinet environments. FL2000 products provide termination, splicing and storage capabilities for in-building cables, outside plant cables and fiber optic terminal (FOT) equipment.

FL2000's modular design offers maximum flexibility to satisfy current needs and future growth requirements. A full line of options and accessories ensures compatibility with existing optical equipment. FL2000 panels accommodate value-added module (VAM) plug-ins, adding flexibility and functionality to the optical transport system. Splitters, wavelength division multiplexers (WDMs) and other optical components can easily be incorporated. All FL2000 panels accommodate 6pak adapters. 6paks are available in all connector styles and can be ordered as needed. ADC's removable angled retainers allow easy access for single fiber maintenance.

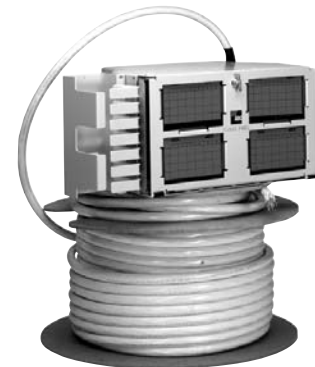
FL2000 panels feature superior vertical cable protection and management. Rack mount panels are hinged on one side, allowing full access to the rear of the front bulkhead plate and the interior of the panel. They come equipped with mounting brackets to provide five-inch recess mounting. Mounting brackets are available for virtually any mounting application. Rack mount panels can be wall mounted as well. The FL2000 splice wheel allows easy storage of pigtail and buffer tube lengths and superior bend radius protection. The FL2000 splice deck is available to complete existing installations.



Rack Mount Termination Panel
(Empty)



Rack Mount Termination/Splice Panel
(Empty)



Rack Mount Termination Panel
(With IFC)

10/07 • 103743AE Fiber Optic Panels

Rack Mount Panel Solutions



FL2000 Series Fiber Optic Panel

Introduction

Product Overview

Recommended Applications	Multi-purpose modular solution ideal for cabinet, rack, wall mount or medium size frame applications. Ideal for small to medium fiber counts.
Description	Termination, termination/splice, storage, splice-only
Number of fibers, future growth potential	12 to 96 (up to 192 with LC connectors)
Flexibility/ability to grow	Ideal for growth
Interconnect	Yes
Cross-connect	Yes
Accommodates on-frame splicing	Yes. Built-in
Accommodates off-frame splicing	Yes. IFC cable and assembly available
Rear access	Not required
All-front-access	Yes
Customer premises application	Ideal
19" mounting	Yes
23" mounting	Yes
Cabinet mount	Yes
Wall mount	Yes
Mix equipment with fiber product?	Ideal
Use as dedicated fiber frame	Up to 400-fibers only. (See ODF catalog #103742AE)
VAM capabilities	Yes
Optimum jumper storage location	Can be configured with storage
Vertical cable guide	Ships with every panel

10/07 • 103743AE Fiber Optic Panels

Rack Mount Panel Solutions

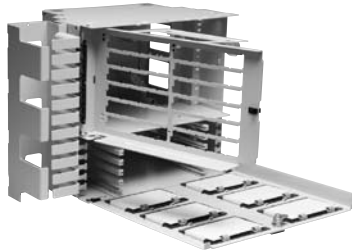


FL2000 Series Fiber Optic Panel

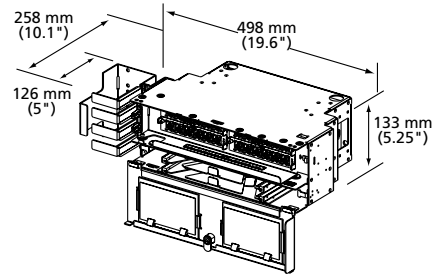
Fiber Termination/Splice Panel with Adapters or Pigtails

Features

- Termination and splice panel
- VCG ships with each panel
- Uses ADC's splice deck or splice wheel
- Uses FL2000 6paks with angled retainers



72-Position Termination/Splice Panel
(Shown Empty)

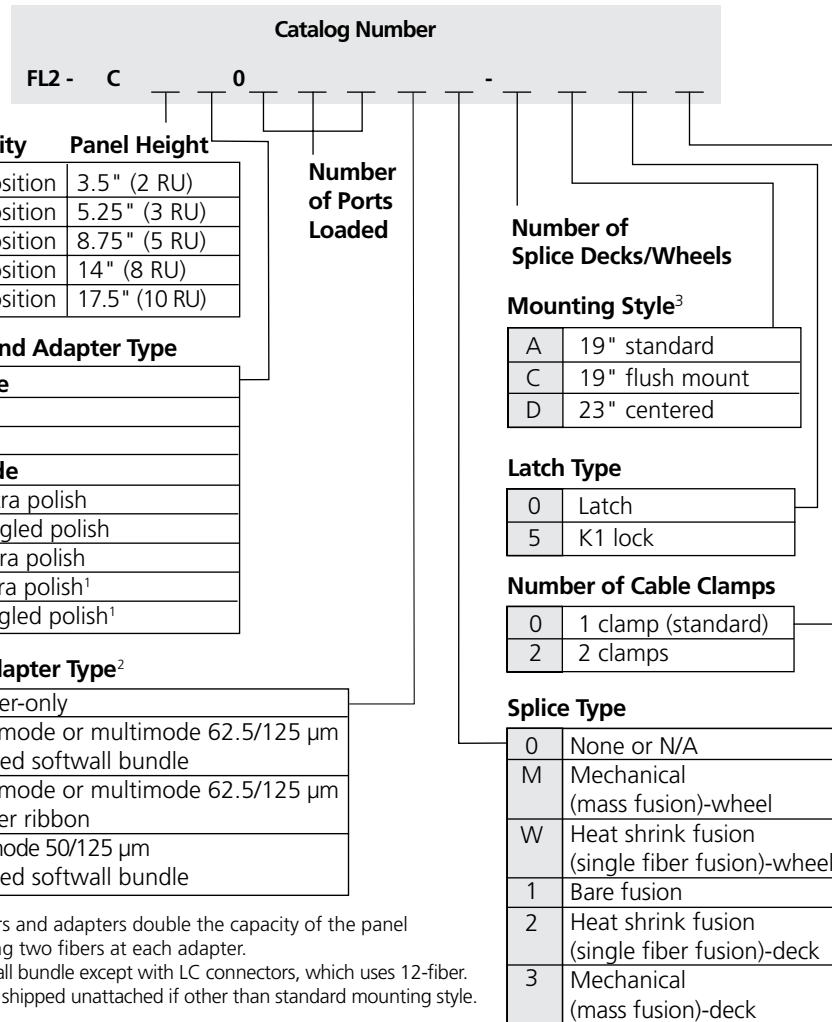


24-Position Termination/Splice Panel

Fiber Optic Panels

Rack Mount Panel Solutions

10/07 • 103743AE



¹ LC connectors and adapters double the capacity of the panel by terminating two fibers at each adapter.

² 6-fiber softwall bundle except with LC connectors, which uses 12-fiber.

³ Mounting kit shipped unattached if other than standard mounting style.

Other configurations are available upon request. Please contact ADC Technical Assistance Center.



FL2000 Series Fiber Optic Panel

Empty Termination/Splice Chassis

10/07 • 103743AE Fiber Optic Panels

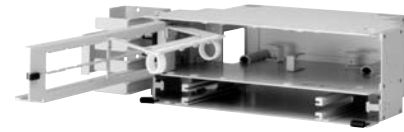
Features

- Mounting
 - 19-inch EIA racks or cabinets, standard five-inch recess
 - Wall mounting option available
 - Other mounting kits available
- Hinged on left front side for complete access to interior of termination section
- Ability to quickly and easily configure, utilizing the 6pak assemblies (ordered separately)
- Complete line of accessories including locks for security
- Uses ADC splice wheels or splice decks
- Ships with vertical cable guide (VCG)

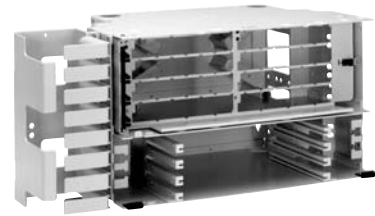
Fiber Chassis Data

- Fiber capacity*: 12, 24, 48, 72 & 96
- Termination
- Splice
- Pigtail storage

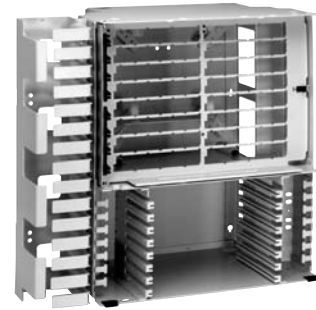
*Panels can double capacity with LC adapters.



24-Position Termination/Splice Chassis



48-Position Termination/Splice Chassis



96-Position Termination/Splice Chassis

Ordering Information

Description	Panel Height	Catalog Number
Empty termination/splice chassis; includes vertical cable guide (VCG)		
12-position	3.5" (2 RU)	FL2-12TS350
24-position	5.25" (3 RU)	FL2-24TS525
48-position	8.75" (5 RU)	FL2-48TS875
72-position	14" (8 RU)	FL2-72TS140
96-position	17.5" (10 RU)	FL2-96TS175
Splice wheel		
Heat shrink (single fiber fusion)		FST-DRS12-HS
Mechanical (mass fusion)		FST-DRS12-MT
Heat shrink (single fiber fusion)-24 fiber		FST-DRS24-HS
Bare fusion (24-fiber)		FST-DRS24-FT
Splice deck		
Heat shrink (single fiber fusion)		FL2-RSPLCE-HS
Mechanical (mass fusion)		FL2-RSPLCE-MT
Bare fusion		FL2-RSPLCE-FT

Rack Mount Panel Solutions

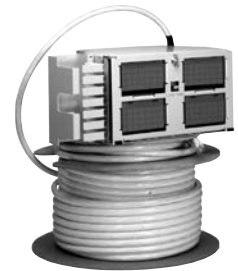
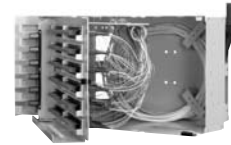
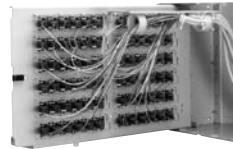


FL2000 Series Fiber Optic Panel

Fiber Termination Panels with Multifiber Cable (Preterminated)

Features

- Panels with preterminated multifiber cable (IFC or OSP) ship as a single unit with cable clamp installed
- Customizable panels come equipped with customer specified number of adapters, retainers, connectors, cable type and cable length
- Panels with multifiber cable attached save costly installation time



Termination Panels
(With Multifiber Cable)

Catalog Number
FL2 - 0 - 0

Panel Type

S	Singlemode
M	Multimode

Panel Capacity Panel Height

1	12-position	1.75" (1 RU)
2	24-position	3.5" (2 RU)
4	48-position	5.25" (3 RU)
7	72-position	8.75" (5 RU)
9	96-position	10.5" (6 RU)

Connector and Adapter Type

Multimode	
9	SC
6	LC ¹
Singlemode	
2	FC ultra polish
7	SC ultra polish
J	SC angled polish
8	LC ultra polish ¹
B	LC angled polish ¹

Cable Size

1	12
2	24
4	48
7	72
9	96
A	144 (LC connectors only with 72-position panel)

¹ LC connectors and adapters double the capacity of the panel by terminating two fibers at each adapter.

² Mounting kit shipped unattached, if other than standard mounting style.

Latch Type

0	Latch
5	K1 Lock

Cable Exit Direction

U	Up
D	Down

Mounting Style²

A	19" standard
C	19" flush mount
D	23" centered

Cable Length

008	8 m (25')
016	16 m (50')
023	23 m (75')
031	31 m (100')
039	39 m (125')
046	46 m (150')
061	61 m (200')
077	77 m (250')
092	92 m (300')
122	122 m (400')
153	153 m (500')

Cable Type

Multimode	
C	IFC stranded 62.5/125 μm riser
Y	IFC stranded 50/125 μm riser
Singlemode	
A	IFC stranded riser
M	IFC ribbon riser
L	OSP armored ribbon (24-fibers and up)

Other configurations are available upon request. Please contact ADC Technical Assistance center.

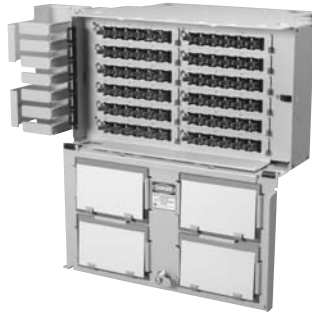


FL2000 Series Fiber Optic Panel

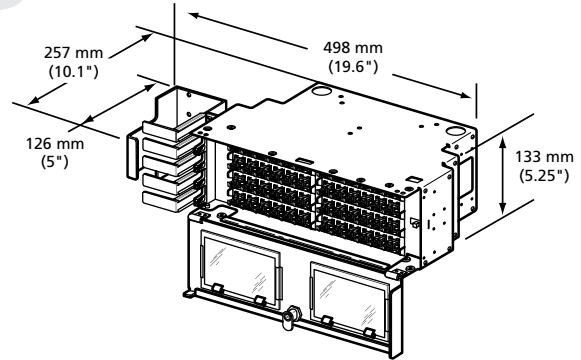
Fiber Termination Panels with Adapters or Pigtails

Features

- Termination-only panel
- VCG ships with each panel
- Uses FL2000 6paks with angled retainers

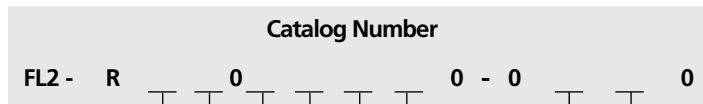


72-Position Termination Panel



48-Position Termination Panel

10/07 • 103743AE Fiber Optic Panels



Panel Capacity	Panel Height
1	12-position 1.75" (1 RU)
2	24-position 3.5" (2 RU)
4	48-position 5.25" (3 RU)
7	72-position 8.75" (5 RU)
9	96-position 10.5" (6 RU)

Connector and Adapter Type

Multimode	
9	SC
6	LC ¹
Singlemode	
7	SC ultra polish
J	SC angled polish
2	FC ultra polish
8	LC ultra polish ¹
B	LC angled polish ¹

Number of Ports Loaded

Pigtail or Adapter Type²

A	Adapter-only
P	Singlemode or multimode 62.5/125 μm stranded softwall bundle
R	Singlemode or multimode 62.5/125 μm 12-fiber ribbon
C	Multimode 50/125 μm stranded softwall bundle

Mounting Style³

A	19" standard
C	19" flush mount
D	23" centered

Latch Type

0	Latch
5	K1 lock

¹ LC connectors and adapters double the capacity of the panel by terminating two fibers at each adapter.

² 6-fiber softwall bundle except with LC connectors, which uses 12-fiber.

³ Mounting kit shipped unattached, if other than standard mounting style.

Other configurations are available upon request. Please contact ADC Technical Assistance Center.

Rack Mount Panel Solutions



FL2000 Series Fiber Optic Panel

Empty Termination Chassis

Features

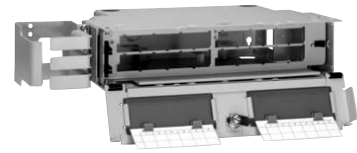
- Mounting
 - 19-inch EIA racks or cabinets, standard five-inch recess
 - Wall mounting option available
 - Other mounting kits available
- Hinged on left front side; allows full access to rear of front plate and interior of panel
- FL2000 6pak adapter plug-ins ordered separately
- Equipped with removable metal doors with Plexiglass®¹ windows
- Designation labels included with each panel
- Complete line of accessories including locks for security
- Ships with vertical cable guide (VCG)

Fiber Chassis Data

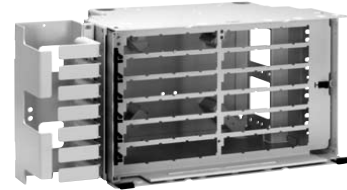
- Fiber capacity*: 12, 24, 48, 72 and 96
- Termination
- Pigtail storage

*Panels can double capacity with LC adapters.

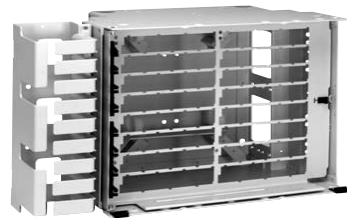
¹Plexiglass is a registered trademark of Atoglas Division of Atofina Chemicals, Inc.



24-Position Termination Chassis



72-Position Termination Chassis



96-Position Termination Chassis

Ordering Information

Description	Panel Height	Catalog Number
Empty termination chassis		
12-position	1.75" (1 RU)	FL2-12RPNL
24-position	3.5" (2 RU)	FL2-24RPNL
48-position	5.25" (3 RU)	FL2-48RPNL
72-position	8.75" (4 RU)	FL2-72RPNL
96-position	10.5" (5 RU)	FL2-96RPNL



FL2000 Series Fiber Optic Panel

Slack Storage Solutions

Storage Deck Chassis

Mounts with FL2000 termination panels to provide jumper storage. May be wall, rack or cabinet mounted.

Storage Deck

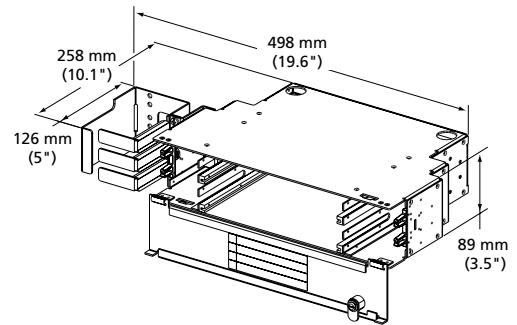
Storage Capacity (1 patch cord per deck)	
1.7 mm patch cord	35 m (115') per deck
3.0 mm patch cord	20 m (66') per deck
Storage Capacity (2 to 4 patch cords per deck)	
1.7 mm patch cord	39 m (128') per deck
3.0 mm patch cord	29 m (95') per deck

Ordering Information

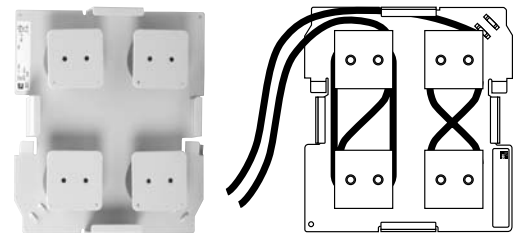
Description	Catalog Number
Storage deck chassis (storage decks ordered separately) 2 storage deck capacity; 89 mm x 483 mm x 258 mm (3.5" x 19" x 10.2") 6 storage deck capacity; 222 mm x 483 mm x 258 mm (8.75" x 19" x 10.2")	FL2-2RSTORE FL2-6RSTORE
Storage deck	FL2-TR2000



Storage Deck Chassis



Storage Deck Chassis
(Front View)
FL2-2RSTORE



Storage Deck
(Top View)
FL-TR2000

Horizontal Interbay Management Panel

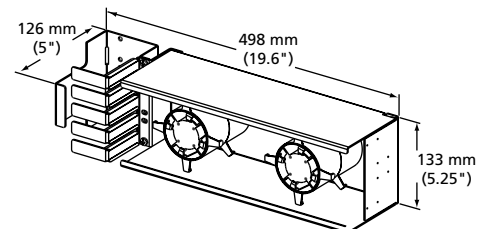
Manages and stores fiber within the frame.

Storage Capacity

Stores up to 137 m (550') using oval storage method

Ordering Information

Description	Catalog Number
Horizontal interbay management panel	FL2-HZSTORE



Horizontal Interbay Management Panel
FL2-HZSTORE

10/07 • 103743AE Fiber Optic Panels

Rack Mount Panel Solutions



FL2000 Series Fiber Optic Panel

Chassis Solutions

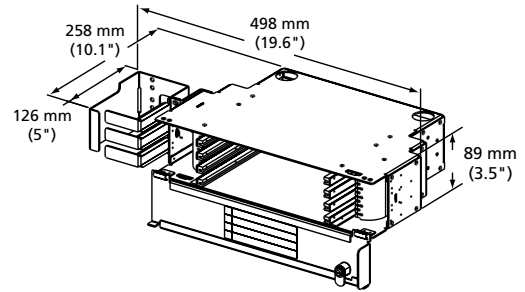
Splice Chassis

Features

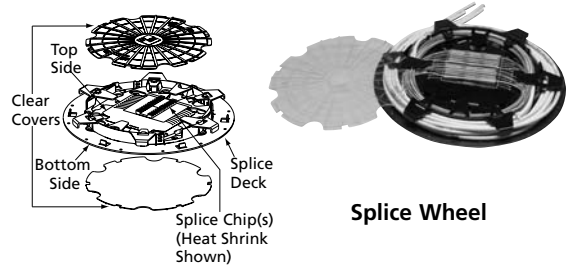
- Offers a combination of splicing protection and associated fiber/pigtail storage
- Splice chassis can be mounted in conjunction with any FL2000 termination panel or as a stand-alone splice panel
- Occupies same footprint and offers same mounting options as FL2000 termination panels
- Accepts the ADC splice wheel for efficient management of fiber cable and splice protection
- Accepts the ADC splice deck
- Ships with vertical cable guide (VCG)

Fiber Chassis Data

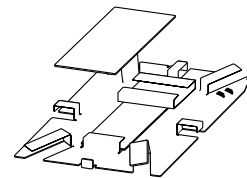
- Fiber capacity: 48, 96 & 144
- Splice
- Pigtail storage



Splice Chassis



Splice Wheel



Splice Deck

Ordering Information

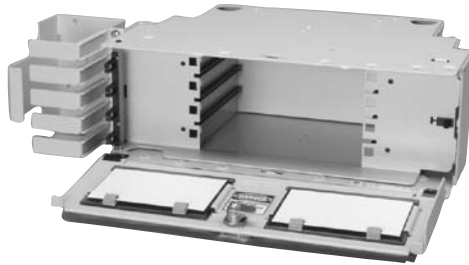
Description	Panel Height	Catalog Number
Splice chassis for use with splice wheel (Only accepts splice wheel) 48-fiber capacity 96-fiber capacity 144-fiber capacity	3.5" (2 RU) 7" (4 RU) 8.75" (5 RU)	FL2-48SPNL2 FL2-96SPNL2 FL2-144SPNL2
Splice wheel Heat shrink (single fiber fusion) Bare fusion Mechanical (mass fusion)		FST-DRS12-HS FST-DRS12-FT FST-DRS12-MT
Splice chassis for use with splice deck (Also accepts splice wheel) 48-fiber capacity 96-fiber capacity 144-fiber capacity	3.5" (2 RU) 7" (4 RU) 8.75" (5 RU)	FL2-48SPNL FL2-96SPNL FL2-144SPNL
Splice deck Heat shrink (single fiber fusion) Bare fusion Mechanical (mass fusion)		FL2-RSPLCE-HS FL2-RSPLCE-FT FL2-RSPLCE-MT
Cable clamp kit (kit of 1) Outer diameter 5 mm to 20 mm (0.2" to 0.8") For mounting kits and additional accessories, see pages 48-56.		FL2-ACC007



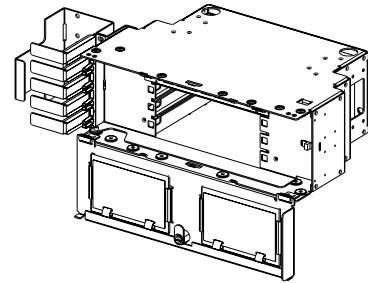
FL2000 Series Fiber Optic Panel

Value-Added Module (VAM) Chassis

The FL2000 VAM chassis is designed to accommodate ADC VAM plug-in modules in FL2000 installations. The chassis protects and manages optical components and is purchased empty, then loaded with various plug-in modules or blank plates, all of which can be mixed and matched. The chassis can be mounted in 5-inch recess, 19- or 23-inch rack mount, frame and cabinet environments. Vertical cable guides match the vertical cable management features of existing FL2000 system. The chassis accommodates 4, 6 or 9 plug-in modules.



VAM Chassis
(Shown Unloaded)



FL2-4VAM525

Ordering Information

Description	Dimensions (HxWxD)	Catalog Number
10.5" FL2000 VAM chassis, unloaded; accommodates 9 single plug-in modules	267 mm x 483 mm x 258 mm (10.5" x 19" x 10.1")	FL2-9VAM105
7" FL2000 VAM chassis, unloaded; accommodates 6 single plug-in modules	152 mm x 483 mm x 258 mm (7" x 19" x 10.1")	FL2-6VAM700
5.25" FL2000 VAM chassis, unloaded; accommodates 4 single plug-in modules	133 mm x 483 mm x 258 mm (5.25" x 19" x 10.1")	FL2-4VAM525

Note: The FL2000 VAM system is designed to accept only front access modules; i.e., all input and output adapters, pigtails and/or bare fibers must be located on the front of the plug-in modules.

Value-Added Module (VAM) System

ADC offers an expansive line of monitor, splitter, WDM and CWDM VAM plug-in modules designed to meet all application needs. Please reference the **Value-Added Module (VAM) System Catalog #101663AE** for details at www.adc.com or contact ADC Customer Service.



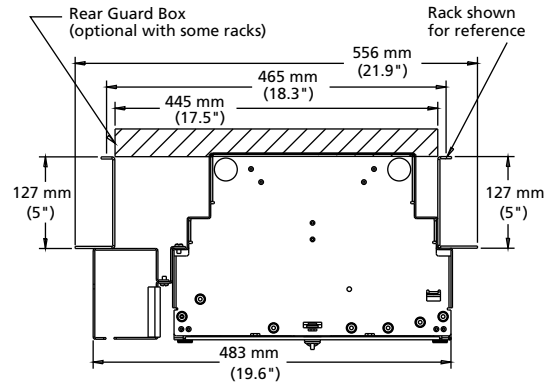
FL2000 Series Fiber Optic Panel

Panel Accessories – 19-Inch Rack Mount Installation Kits

Standard Mount Kit

Features

- Panels shipped with
 - Left-side "L" bracket
 - Left-side 2.5" wide vertical cable guide (VCG)
- Other mounting options are available upon request. Please contact ADC Technical Assistance Center.

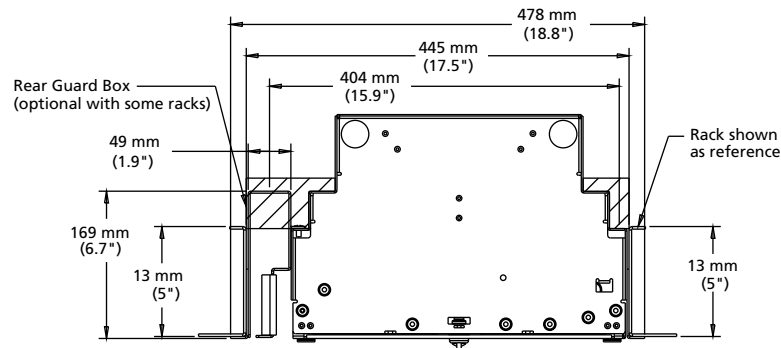


Standard Mount Kit

Ordering Information

Description	Panel Height	Catalog Number
Standard mount kit Kit includes: VCG with integrated mounting holes	1.75" (1 RU)	FL2-VCGKIT0175
	3.5" (2 RU)	FL2-VCGKIT0350
	5.25" (3 RU)	FL2-VCGKIT0525
	7" (4 RU)	FL2-VCGKIT0700
	8.75" (5 RU)	FL2-VCGKIT0875
	10.5" (6 RU)	FL2-VCGKIT1050
	14" (8 RU)	FL2-VCGKIT1400
	17.5" (10 RU)	FL2-VCGKIT1750

Flush Mount Kit



Flush Mount Kit

Ordering Information

Description	Panel Height	Catalog Number
Flush mount kit; allows 1", 2" or 4" recess mounting Kit includes: VCG and mounting flanges	1.75" (1 RU)	FL2-FLMT0175
	3.5" (2 RU)	FL2-FLMT0350
	5.25" (3 RU)	FL2-FLMT0525
	7" (4 RU)	FL2-FLMT0700
	8.75" (5 RU)	FL2-FLMT0875
	10.5" (6 RU)	FL2-FLMT1050
	14" (8 RU)	FL2-FLMT1400
	17.5" (10 RU)	FL2-FLMT1750

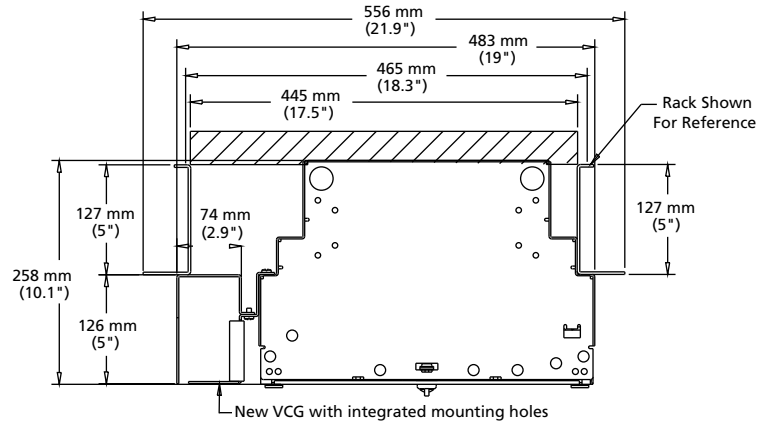


FL2000 Series Fiber Optic Panel

Panel Accessories – 19-Inch Rack Mount Installation Kits

Maximum Mount Kit

Allows entire panel to be contained within frame footprint.



Maximum Mount Kit

Ordering Information

Description	Panel Height	Catalog Number
Maximum mount kit	1.75" (1 RU)	FL2-19MAX0175
Kit includes: VCG with integrated mounting holes	3.5" (2 RU)	FL2-19MAX0350
	5.25" (3 RU)	FL2-19MAX0525
	7" (4 RU)	FL2-19MAX0700
	8.75" (5 RU)	FL2-19MAX0875
	10.5" (6 RU)	FL2-19MAX1050
	14" (8 RU)	FL2-19MAX1400
	17.5" (10 RU)	FL2-19MAX1750

10/07 • 103743AE Fiber Optic Panels

Rack Mount Panel Solutions

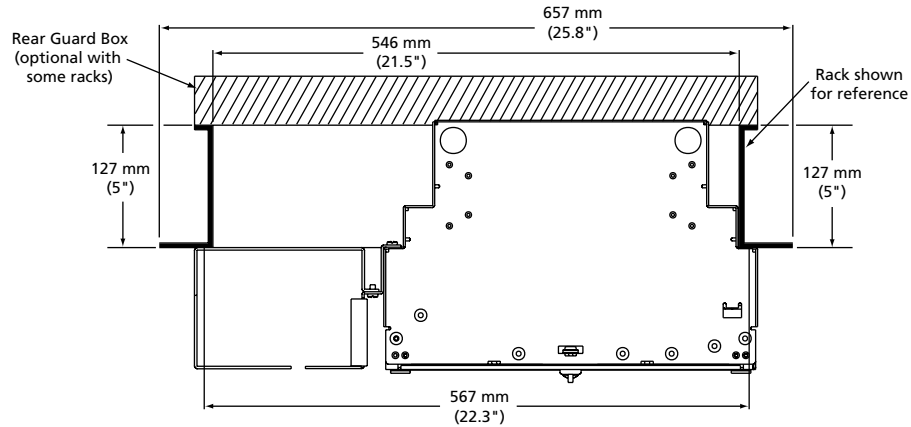


FL2000 Series Fiber Optic Panel

Panel Accessories – 23-Inch Rack Mount Installation Kits

Wide VCG Mount Kit

Allows for increased fiber capacity within the VCG.



Wide VCG Mount Kit

Ordering Information

Description	Panel Height	Catalog Number
Wide VCG mount kit Kit includes: VCG with integrated mounting holes	1.75" (1 RU)	FL2-23VCG0175
	3.5" (2 RU)	FL2-23VCG0350
	5.25" (3 RU)	FL2-23VCG0525
	7" (4 RU)	FL2-23VCG0700
	8.75" (5 RU)	FL2-23VCG0875
	10.5" (6 RU)	FL2-23VCG1050
	14" (8 RU)	FL2-23VCG1400
	17.5" (10 RU)	FL2-23VCG1750

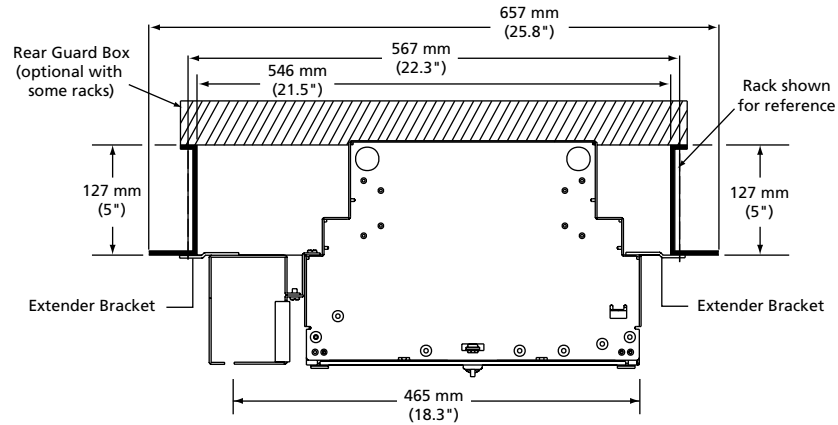


FL2000 Series Fiber Optic Panel

Panel Accessories – 23-Inch Rack Mount Installation Kits

Centered Mount Kit

Allows for standard mounting in a 23-inch rack.



Centered Mount Kit

Ordering Information

Description	Panel Height	Catalog Number
Centered mount kit (with extender brackets) This kit can be used with flush mount brackets (see page 47) to achieve 23" flush mounting, as well as 1", 2" or 4" recess mounting	1.75" (1 RU)	FL2-EB0175P
	3.5" (2 RU)	FL2-EB0350P
	5.25" (3 RU)	FL2-EB0525P
	7" (4 RU)	FL2-EB0700P
	8.75" (5 RU)	FL2-EB0875P
	10.5" (6 RU)	FL2-EB1050P
	14" (8 RU)	FL2-EB1400P
	17.5" (10 RU)	FL2-EB1750P



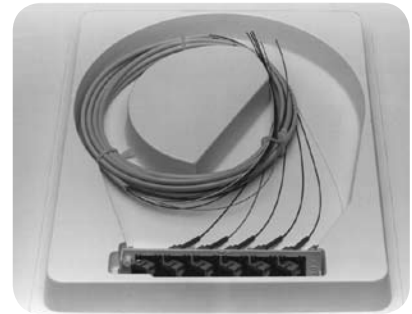
FL2000 Series Fiber Optic Panel

Panel Accessories

6pak Adapter — Adapters and Pigtails

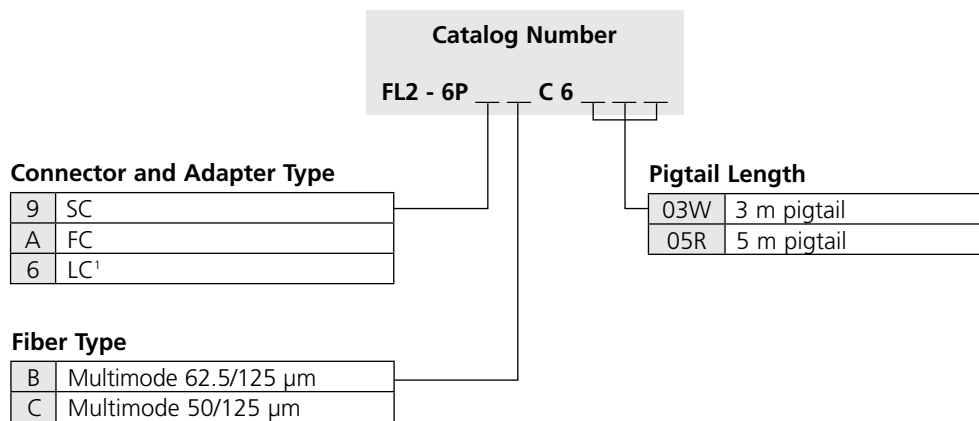
Features

- Can be purchased and installed as growth necessitates
- Available with preterminated three- or five-meter pigtails
- Pigtails consist of a single outer jacket containing six color-coded 900 µm fibers
- One end of pigtail terminated with chosen connector style and installed into the 6pak adapters
- Saves installation time



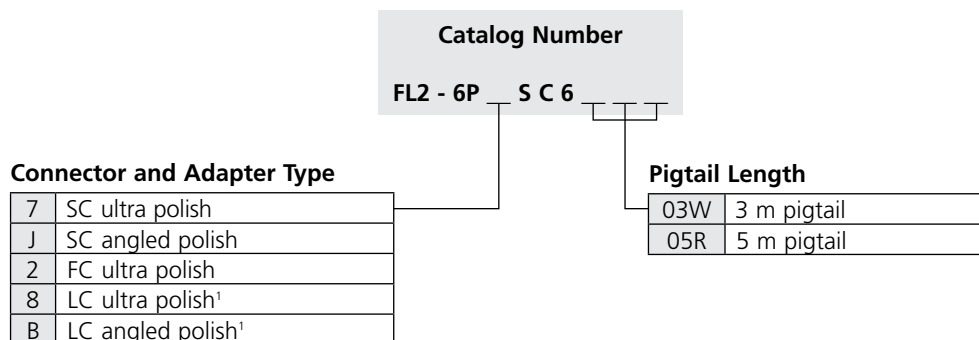
6pak Adapter
(Shown with SC Adapters and Pigtails)

Stranded Multimode Pigtails and Adapters



¹ LC 6paks are loaded with 12-fiber pigtails

Stranded Singlemode Pigtails and Adapters



¹ LC 6paks are loaded with 12-fiber pigtails

Other configurations are available upon request. Please contact ADC Technical Assistance Center.



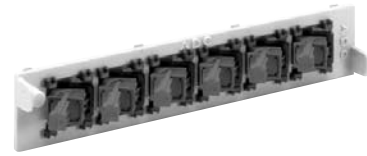
FL2000 Series Fiber Optic Panel

Panel Accessories

6pak Adapter - Adapters only

Features

- Completely interchangeable between FL2000 panel, FL1000 rack and wall box products
- Can be ordered with all standard types of adapters and connectors
- Feature ADC's removable angled retainers which provide superior fiber management
- No tools required to install into FL2000 and FL1000 products
- Can be ordered with adapters only or for quick and easy installation, with preterminated three- or five-meter pigtails



6pak Adapter

(Shown with Singlemode Simplex Adapters)



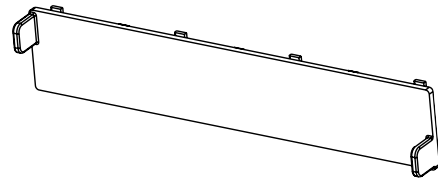
6pak Adapter

(Shown with Multimode Simplex Adapters)

Ordering Information

Description	Catalog Number
Multimode	
SC	FL2-6PMMSC
FC	FL2-6PMMFC
LC*	FL2-6PMMLC
Singlemode	
SC ultra polish	FL2-6PSMSC
SC angled polish	FL2-6PSMASC
FC ultra polish	FL2-6PSMFC
LC ultra polish*	FL2-6PSMLC
LC angled polish*	FL2-6PSMALC
6pak blank plug-in	FL2-6PBLNK

* LC 6pak adapter accommodates 12 LC connectors.



6pak Adapter Blank

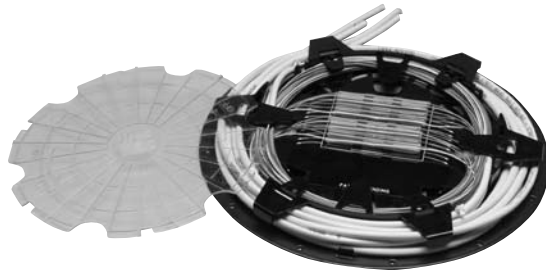
Other configurations are available upon request. Please contact ADC Technical Assistance Center.



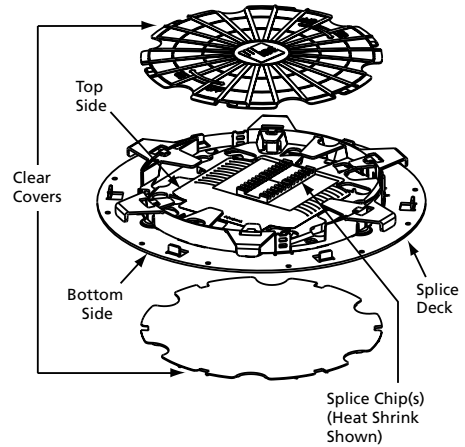
FL2000 Series Fiber Optic Panel

Panel Accessories

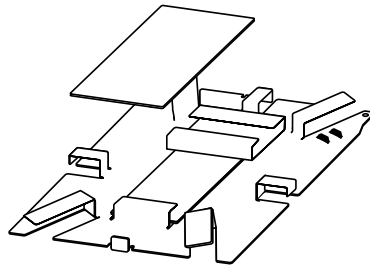
Splice Wheel and Splice Deck



Splice Wheel



Splice Wheel



Splice Deck

Fiber Optic Panels

10/07 • 103743AE

Rack Mount Panel Solutions

Ordering Information

Description	Catalog Number
Splice wheel Heat shrink (single fiber fusion) Bare fusion Mechanical (mass fusion)	FST-DRS12-HS FST-DRS12-FT FST-DRS12-MT*
Splice deck Heat shrink (single fiber fusion) Bare fusion Mechanical (mass fusion)	FL2-RSPLCE-HS FL2-RSPLCE-FT FL2-RSPLCE-MT*

*For use with ribbon fiber



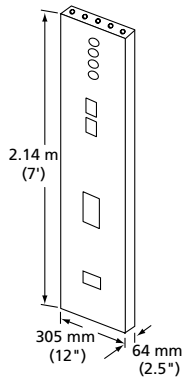
FL2000 Series Fiber Optic Panel

Panel Accessories

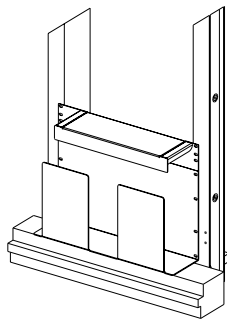
Miscellaneous



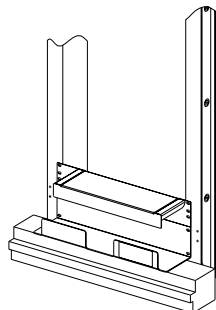
Locks



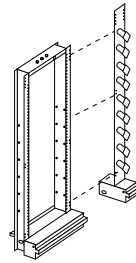
End Guard
UEGP-7PW



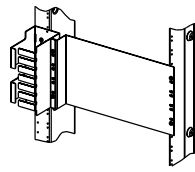
**356 mm (14")
Lower Cable Trough**
FL2-ACC011



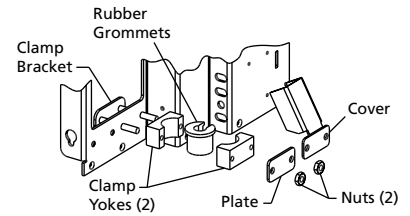
**178 mm (7")
Lower Cable Trough**
FL2-ACC012



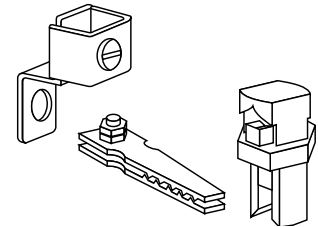
Interbay Management Panel
E-501-L139



Blank VCG
FL2-BLNKFULL0875



Cable Clamp Kit



Bonding/Grounding Kit

Ordering Information

Description	Catalog Number
Lock Key lock #1; includes lock and key #1 Key lock #2; includes lock and key #2	IPA-K1 IPA-K2
End guard (H x W x D) 2.14 m x 64 mm x 305 mm (7' x 2.5" x 12"); right or left side	UEGP-7PW
Interbay management panel 2.14 m x 127 mm (7' x 5") mounts to a standard (19" or 23" rack)	E-501-L139
Lower cable trough (H x W x D) 356 mm x 483 mm x 127 mm (14" x 19" x 5") 178 mm x 483 mm x 127 mm (7" x 19" x 5")	FL2-ACC011 FL2-ACC012
Bonding grounding kit: kit of 1	FL2-ACC006
Cable clamp kit: kit of 1 Outer diameter 5 mm to 20 mm (0.2" to 0.8")	FL2-ACC007
Cable clamp kit for use with 12-fiber termination or termination/splice panels	FL2-ACC033
Blank VCG to add cable management to frame not fully loaded 3.5" 8.75" 10.5"	FL2-BLNKVCG0350 FL2-BLNKVCG0875 FL2-BLNKVCG1050
Blank VCG with blank panel for aesthetics 3.5" 5.25" 7" 8.75" 10.5"	FL2-BLNKFULL0350 FL2-BLNKFULL0525 FL2-BLNKFULL0700 FL2-BLNKFULL0875 FL2-BLNKFULL1050

Fiber Optic Panels

10/07 • 103743AE

Rack Mount Panel Solutions



FL2000 Series Fiber Optic Panel

Panel Accessories

Ordering Information for Patch Cords and Attenuators

ADC offers a comprehensive line of cable assembly and accessory products including patch cords, IFC assemblies, attenuators, FasTerm® connectors and adapters to meet the demanding needs of today's network. Please refer to the **Fiber Cable Assemblies Catalog #102880AE** at www.adc.com for more detailed information. For your convenience, ordering information for patch cords and attenuators can also be found on pages 80-85.

Free Manuals Download Website

<http://myh66.com>

<http://usermanuals.us>

<http://www.somanuals.com>

<http://www.4manuals.cc>

<http://www.manual-lib.com>

<http://www.404manual.com>

<http://www.luxmanual.com>

<http://aubethermostatmanual.com>

Golf course search by state

<http://golfingnear.com>

Email search by domain

<http://emailbydomain.com>

Auto manuals search

<http://auto.somanuals.com>

TV manuals search

<http://tv.somanuals.com>