

Chapter 1 - Introduction

Chapter Overview

- About this Manual
 - Manual Conventions
- Other Helpful Documentation
- About Your Printer
 - Printer Features
 - PostScript Typefaces
 - PCL Typefaces
- About XANTÉ Utilities
- Warranty and Product Registration

Notes

1-2 Introduction _____

The XANTÉ Accel-a-Writer 8200

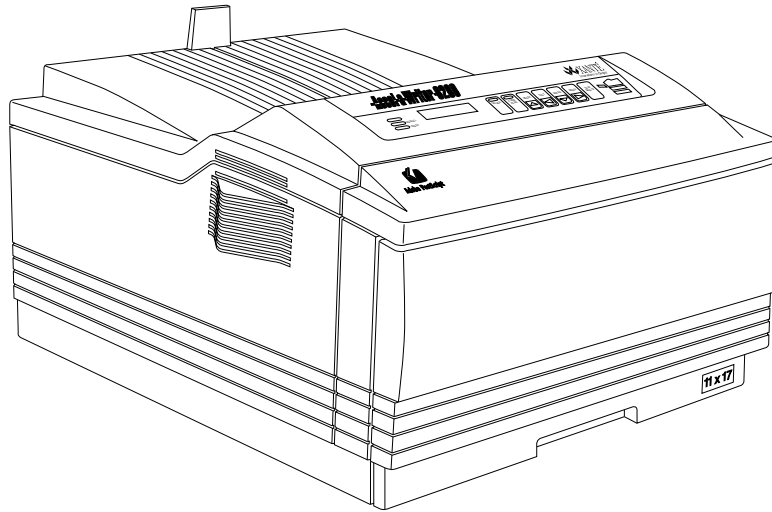


Fig. 1.1 XANTÉ Accel-a-Writer 8200

Your new Accel-a-Writer 8200 provides high-quality laser prints, excellent for everyday office needs as well as for the demanding field of desktop publishing. This chapter provides an overview of this manual and highlights major features of your Accel-a-Writer 8200.

About this Manual

This User's Guide provides complete documentation on the installation, setup, and operation of the Accel-a-Writer 8200. The chapters are outlined in the following manner:

Chapter 1—Introduction offers an overview of this manual and the Accel-a-Writer 8200 features. It also provides information about the XANTÉ Utilities plus warranty and registration details.

Introduction 1-3

Chapter 2—Installation provides instructions on setting up your printer and connecting it to the right interfaces for Macintosh and PC environments.

Chapter 3—Macintosh Setup addresses installing the XANTÉ Utilities and setting up to work in a Macintosh environment. This includes loading printer fonts, setting margins, and controlling the start-up page printing.

Chapter 4—PC Setup covers installing the XANTÉ Utilities and setting up to work in a PC environment. It also includes loading the Windows driver (with the Accel-a-Writer PPD) and printer fonts, setting margins, and controlling the start-up page printing.

Chapter 5—Configuration explains the ways you can control the printer. It illustrates the front panel and how you use it to configure your printer. It also describes automatic emulation switching as well as how to set the emulation.

Chapter 6—Routine Operations discusses working with the printer on a regular basis. This includes handling media, printing on various media, and replacing toner. It also covers using Windows, using a SCSI disk, and removing downloaded fonts from your printer.

Chapter 7—Advanced Imaging details how to achieve the best output from the printer. Many aspects of advanced imaging are explained.

Chapter 8—Maintenance describes handling, moving, and cleaning the printer. It also lists user replaceable parts.

Chapter 9—Options covers available options for your Accel-a-Writer 8200 printer including the paper feeder and cassette supporter. It also covers the RAM, resolution, and Ethernet upgrades.

Chapter 10—Troubleshooting covers preliminary troubleshooting steps, printer jams, and print quality issues. The chapter also lists available support, how to access that support, and the information you should have at hand when you call for assistance.

Appendix A—HP PCL and HP-GL Supported Commands lists supported HP PCL 5 and HP-GL 7475A commands.

Appendix B—Application Notes provides specific instructions and tips for using the printer in mainstream application environments.

Appendix C—Warranty Information covers both the warranty and the effects consumables can have on your warranty.

The Accel-a-Writer 8200 Menu quick reference sheet provides an illustrated overview of the printer's front panel menu structure.

Manual Conventions

The following conventions are used in this manual:

Courier	indicates information you must type or which displays on screen.
↵	indicates that you need to press the Return key on a Macintosh or the Enter key on a PC.
Note:	indicates additional or emphasized information.
Caution:	indicates instructions which if not followed can or will cause damage to files or equipment.
Warning!	indicates instructions which must be followed exactly or personal injury can occur.

Other Helpful Documentation

This manual covers the basics of setting up and working with your printer. However, you may find the following publications helpful when working with PostScript printing.

PostScript Language Reference Manual, Second Edition. This manual, published by Addison Wesley, is designed for advanced users, such as programmers, who work with PostScript operators.

PostScript Language Tutorial and Cookbook. This manual, published by Addison Wesley, is designed for those who want to learn about working directly in the PostScript language.

Most bookstores and many computer businesses either keep these books in stock or can order them for you.

About Your Printer

The Accel-a-Writer 8200's high-end features allow you to produce near typeset quality work, suitable for camera-ready production. The standard, smooth 600 x 600 dpi resolution can be further enhanced by an upgrade to 800 x 800 dpi or 1200 x 1200 dpi.

Your printer features Adobe PostScript, not an emulation. This format gives you a wide range of flexible features such as scaling, filling, and rotating.

The AMD 29030 RISC processor, 12 MB RAM, and XANTÉ's technology help ensure fast, reliable, professional performance. Memory upgrades provide the extra space required for higher resolution printing when you have added a resolution upgrade to your printer and for oversized printing.

For example, 20 to 28 MB provides 800 x 800 dpi capability and 40 MB or more offers 1200 x 1200 dpi printing. And, 16 MB or more allows for oversized printing. (High resolution kits and memory upgrades are available from XANTÉ. For details contact XANTÉ Customer Support at 800-926-8393 in the US and Canada, at 95-800-926-8393 in Mexico, or at 334-342-4846 in other countries.)

Note: Occasionally, a complex, large file or one with heavy graphics may require more than the standard memory to print. Memory requirements also vary depending on the chosen resolution.

Your Accel-a-Writer 8200 offers out-of-the-box advanced paper handling capability. For example, you can print on paper, transparencies, labels, and envelopes. The printer also features a total input capacity of 350 sheets—250 sheets in the standard paper cassette and another 100 sheets in the fold down tray. Both of these input sources support up to ledger (11" x 17")/A3 size paper.

The fold down tray handles variable custom and oversized media from 3.90" x 5.80" up to 11.81" x 25.00". Plus, an extra wide print option is available to expand paper handling up to 12.00" x 25.00". See "Selecting Media" in chapter 6 for details on page sizes and imageable areas.

Note: Media size is the actual size of the media. The imageable area is slightly smaller. For example, 11.81" x 25.00" paper has an imageable area of 11.73" x 24.93".

If you require an even higher input capacity, you can add a second 250 sheet input cassette with an optional paper feeder or an additional 500 sheet letter size cassette with an optional paper feeder and a cassette supporter.

Macintosh and PC/compatibles can be used concurrently on the Accel-a-Writer 8200 with simultaneously active serial, parallel, LocalTalk, and (optional) EtherTalk interfaces. You do not have to send software commands or manually set hardware switches when a different interface is used. In addition to PostScript, HP PCL 5 and HP-GL emulations are supported for line printer and other non-PostScript applications.

Printer Features

Your versatile Accel-a-Writer 8200 printer offers many outstanding features including the following:

- Standard 600 x 600 dpi resolution
- Resolution upgrades — 800 x 800 dpi and 1200 x 1200 dpi
- 16 page per minute engine speed
- AMD 29030 RISC processor
- Adobe PostScript Level 2
- HP PCL 5 emulation
- HP-GL 7475A emulation
- Up to ledger (11"x17")/A3 size regular paper handling
- Variable custom sized printing from 3.90" x 5.80" up to 11.81" x 25.00" allowing full bleed printing for 11" x 17" documents
- Extra wide printing (optional) for 12.00" x 19.00" and 12.00" x 25.00" media with respective print regions of 11.97" x 18.93" and 11.97" x 24.93"
- 35 PostScript fonts
- 8 scalable and 7 bitmap HP PCL compatible fonts
- Font Type 0, 1, 3, 4, 5, 6, and 42 support
- Simultaneously active serial, parallel, LocalTalk, and (optional) EtherTalk interfaces
- Ethernet (optional) to support EtherTalk, Novell NetWare print server, and TCP/IP protocols
- SCSI disk interface
- XANTÉ Halftone Calibration Technology
- XANTÉ Enhanced Screening Technology

PCL Typefaces

Your Accel-a-Writer 8200 comes with 7 PCL bitmapped typefaces available in Roman-8, ECMA-94, PC-850, and Legal symbol sets. These typefaces are

Courier 10 pitch, 12 point	Courier 12 pitch, 10 point
Courier bold 10 pitch, 12 point	Courier bold 12 pitch, 10 point
Courier italic 10 pitch, 12 point	Courier italic 12 pitch, 10 point

Lineprinter 16.66 pitch, 8.5 point

Your printer also comes with 8 scalable typefaces available in the Roman-8 symbol set. These typefaces are

CG Times	Univers
CG Times bold	Univers bold
CG Times italic	Univers italic
CG Times bold italic	Univers bold italic

About XANTÉ Utilities

XANTÉ Utilities include easy-to-use, menu driven programs and files to make working with your new printer more convenient. For example, they contain practical programs such as printer description files required for PageMaker, FreeHand, QuarkXPress, and the LaserWriter 8 printer driver. The utilities also have a namer feature in Command Center to prevent confusion on networks where several printers are the same model; you can leave one printer with the model name (Accel-a-Writer 8200) and rename the other "Sales 8200."

The utilities come on 2 disks—one for Macintosh environments and another for PC formats. For detailed information see "Installing XANTÉ Utilities (Macintosh)" in chapter 3 or "Installing XANTÉ Utilities (PC)" in chapter 4.

Warranty and Product Registration

Appendix C contains the warranty on your Accel-a-Writer 8200 printer. Please be sure to return the warranty sheet included with your printer package. Returning this sheet not only registers your printer, but it also entitles you to a free subscription to XANTÉ's *Accel-a-Writing* newsletter. Our publication features articles on printing, new options as they become available, and tips for using your printer to the best advantage.



1-12 Introduction _____

Free Manuals Download Website

<http://myh66.com>

<http://usermanuals.us>

<http://www.somanuals.com>

<http://www.4manuals.cc>

<http://www.manual-lib.com>

<http://www.404manual.com>

<http://www.luxmanual.com>

<http://aubethermostatmanual.com>

Golf course search by state

<http://golfingnear.com>

Email search by domain

<http://emailbydomain.com>

Auto manuals search

<http://auto.somanuals.com>

TV manuals search

<http://tv.somanuals.com>