

Acer

Aspire M5400(G)
Service Guide

PRINTED IN TAIWAN

Revision History

Please refer to the table below for the updates made on this service guide.

Date	Chapter	Updates

Copyright

Copyright © 2010 by Acer Incorporated. All rights reserved. No part of this publication may be reproduced, transmitted, transcribed, stored in a retrieval system, or translated into any language or computer language, in any form or by any means, electronic, mechanical, magnetic, optical, chemical, manual or otherwise, without the prior written permission of Acer Incorporated.

Disclaimer

The information in this guide is subject to change without notice.

Acer Incorporated makes no representations or warranties, either expressed or implied, with respect to the contents hereof and specifically disclaims any warranties of merchantability or fitness for any particular purpose. Any Acer Incorporated software described in this manual is sold or licensed "as is". Should the programs prove defective following their purchase, the buyer (and not Acer Incorporated, its distributor, or its dealer) assumes the entire cost of all necessary servicing, repair, and any incidental or consequential damages resulting from any defect in the software.

Acer is a registered trademark of Acer Corporation.

Intel is a registered trademark of Intel Corporation.

Pentium Dual-Core, Celeron Dual-Core, Core 2 Duo, Core 2 Quad, Celeron, and combinations thereof, are trademarks of Intel Corporation.

Other brand and product names are trademarks and/or registered trademarks of their respective holders.

Conventions

The following conventions are used in this manual:

SCREEN MESSAGES	Denotes actual messages that appear on screen.
NOTE	Gives additional information related to the current topic.
WARNING	Alerts you to any physical risk or system damage that might result from doing or not doing specific actions.
CAUTION	Gives precautionary measures to avoid possible hardware or software problems.
IMPORTANT	Reminds you to do specific actions relevant to the accomplishment of procedures.

Service Guide Coverage

This Service Guide provides you with all technical information relating to the BASIC CONFIGURATION decided for Acer's "global" product offering. To better fit local market requirements and enhance product competitiveness, your regional office MAY have decided to extend the functionality of a machine (e.g. add-on card, modem, or extra memory capability). These LOCALIZED FEATURES will NOT be covered in this generic service guide. In such cases, please contact your regional offices or the responsible personnel/channel to provide you with further technical details.

FRU Information

Please note WHEN ORDERING FRU PARTS, that you should check the most up-to-date information available on your regional web or channel. If, for whatever reason, a part number change is made, it will not be noted in the printed Service Guide. For ACER-AUTHORIZED SERVICE PROVIDERS, your Acer office may have a DIFFERENT part number code to those given in the FRU list of this printed Service Guide. You MUST use the list provided by your regional Acer office to order FRU parts for repair and service of customer machines.

Table of Contents

System Tour	1
Features	1
Block Diagram	4
System Components	5
Front Panel	5
Rear Panel	6
Hardware Specifications and Configurations	7
Power Management Function(ACPI support function)	11
System Utilities	12
CMOS Setup Utility	12
Entering CMOS setup	13
Navigating Through the Setup Utility	13
Setup Utility Menus	14
System Disassembly	27
Disassembly Requirements	27
Pre-disassembly Procedure	28
Removing the Side Panel	29
Removing the Heat Sink Fan Assembly	30
Removing the Processor	32
Removing the Memory Modules	33
Removing the VGA Card	34
Removing the Mode Card	35
Removing the Front Bezel	36
Removing the Rear USB Board	37
Removing the Hard Disk Drive	38
Removing the Optical Drive	40
Removing the Cables	41
Removing the removable HDD bay	42
Removing the Power Supply	43
Removing the Mainboard	45
System Troubleshooting	47
System Check Procedures	48
Beep Codes	49
Checkpoints	50
BIOS Recovery	53
Jumper and Connector Information	54
M/B Placement	54
Setting Jumper	56
FRU (Field Replaceable Unit) List	67
Aspire M5400(G) Exploded Diagram(AM350-ASSY)	68
Aspire M5400(G) Exploded Diagram(AM351-ASSY)	69
Aspire M5400(G) FRU List	70

System Tour

Features

Below is a brief summary of the computer's many feature:

NOTE: The features listed in this section is for your reference only. The exact configuration of the system depends on the model purchased.

Operating System

- Microsoft Windows 7 Home Premium 64bit
- Microsoft Windows 7 Home Premium 32bit
- Microsoft Window 7 Home Basic 64bit
- Microsoft Windows 7 Home Basic 32bit
- Microsoft Windows 7 Starter 32bit
- Microsoft Windows 7 Professional 32bit
- Microsoft Windows XP Professional 32bit
- Free DOS
- Linpus XWindows 9.5
- Lipus Linux cons

Processor

- Socket Type: AMD Socket AM3
- Socket Quantity: 1
- Processor Type:
 - Support AM3 6-core Thuban CPU (140W)

Chipset

- NB: RS880P
- SB: AMD SB810

PCB

- 4 Layer uATX form factor 9.6in X 9.6in (24.38cm X 24.38cm)

Memory subsystem

- Socket Type: DDR III Un-buffered DIMM connector
- Socket Quantity: 4
 - 2 channels, 2 DIMMs per channel.
 - Different colors for DIMM 0 and DIMM 1
- 1GB/2GB/4GB DDR3 1.5V 1333/1066 Un-buffered Non-ECC DIMM support
- 1 GB to 16GB Max memory support
- Design Criteria:
 - Must meet Intel Lynnfield and Clarkdale Chipset platform design guide
 - Support 1.5V DIMM

-
- Dual channel should be enabled always when plug-in 2 same memory size DDRIII memory module

Hard disk drive

- Support up to two SATA ports
- 3.5"
- Capacity and models are listed on AVLC

Optical disk drive

- Support one SATA 5.25" standard ODD
- Support DVD-ROM, DVD-SuperMulti, BD-combo, BD-rewrite
- Maximum ODD depth to 185mm with bezel
- Models are listed on AVLC

Graphics card

- No mechanical restriction to support for double slot, full length graphics cards in the single PCIe X16 slot

Vedio

- AMD RS880P on die graphic solution
- Meet Microsoft Vista Premium graphic requirement
- 1 HDMI port and 1 D-sub port for Consumer model
- 1 D-sub port and 1 DVI-D port for Commercial model
- Need to measure VGA follow Acer SOP

Audio

- Chip : HD audio codec ALC662-VC HD codec 5.1
- Connectors support:
 - Rear 3 jack follow HD audio definition (ALC662-VC)
 - Audio jacks color coding: should meet Microsoft Windows Logo Program Device Requirements: Audio-0002
 - 1 S/PDIF-out header (1*4)
 - 1 front panel audio header (2*5)
 - 1 internal speaker header (2*4)
 - Add HD de-pop CKT

Serial ATA controller

- Slot Type: SATA connector
- Six SATA ports:
 - 4 for HDD
 - 2 for ODD
- Storage Type support:
 - 1.HDD : Support RAID 0/1/5/10
 - 2.Blue Ray ODD
 - 3.AHCI mode supported for internal SATA port

LAN

- Controller: Realtek 8111E Gigabit Ethernet controller
- RJ-45 Back panel port with Link/Activity LEDs

USB ports

- Ports Quantity: 14 (should reserve more header for front DB)
 - 6 ports for rear port
 - On-board: 4 2*5 headers
 - 4 ports for front daughter board
 - 2 ports for internal card reader
 - 2 ports for Daughter board (Aspire M5400/M3400 only)
- Connector Pin: standard Intel FPIO pin definition

Extension slot

- Support one PCIe x 16 slot
- Support two PCIe x 1 slots
- Support one PCI slot

Rear I/O connectors

- 1 PS/2 Keyboard port
- 1 PS/2 Mouse port
- 1 HDMI port (need certification) for consumer models
- 1 D-sub port
- 1 DVI-D port for commercial models
- 6 USB ports
- 1 RJ45 LAN port
- 1 Com port for commercial models
- 5.1 channel phone jack (3 audio jacks)

On-board connectors

- 1 AM3 CPU socket
- 4 DDR3 memory sockets
- 1 PCI Express x16 slot
- 2 PCI Express x1 slot
- 1 PCI slots
- 6 SATA2 connectors
- 4 2x5-pin Intel FPIO specification USB pin connectors (follow Intel FPIO Standard Specification)
- 1 2x5-pin Intel FPIO spec Microphone In/ Headphone Out pin connector
- 1 1x4 S/PDIF out header (for ALC662 SKU)
- 1 3-pin CPU fan connector (co-lay with 4-pin CPU fan connector)
- 1 3-pin system fan connector with linear circuit
- 1 24-pin + 4-pin ATX interface PS3/PS2 SPS connector
- 1 2x7-pin front panel I/O header
- 1 Jumper for clear CMOS
- 1 on board buzzer

-
- 2 reserved 2-pin GPIO connector

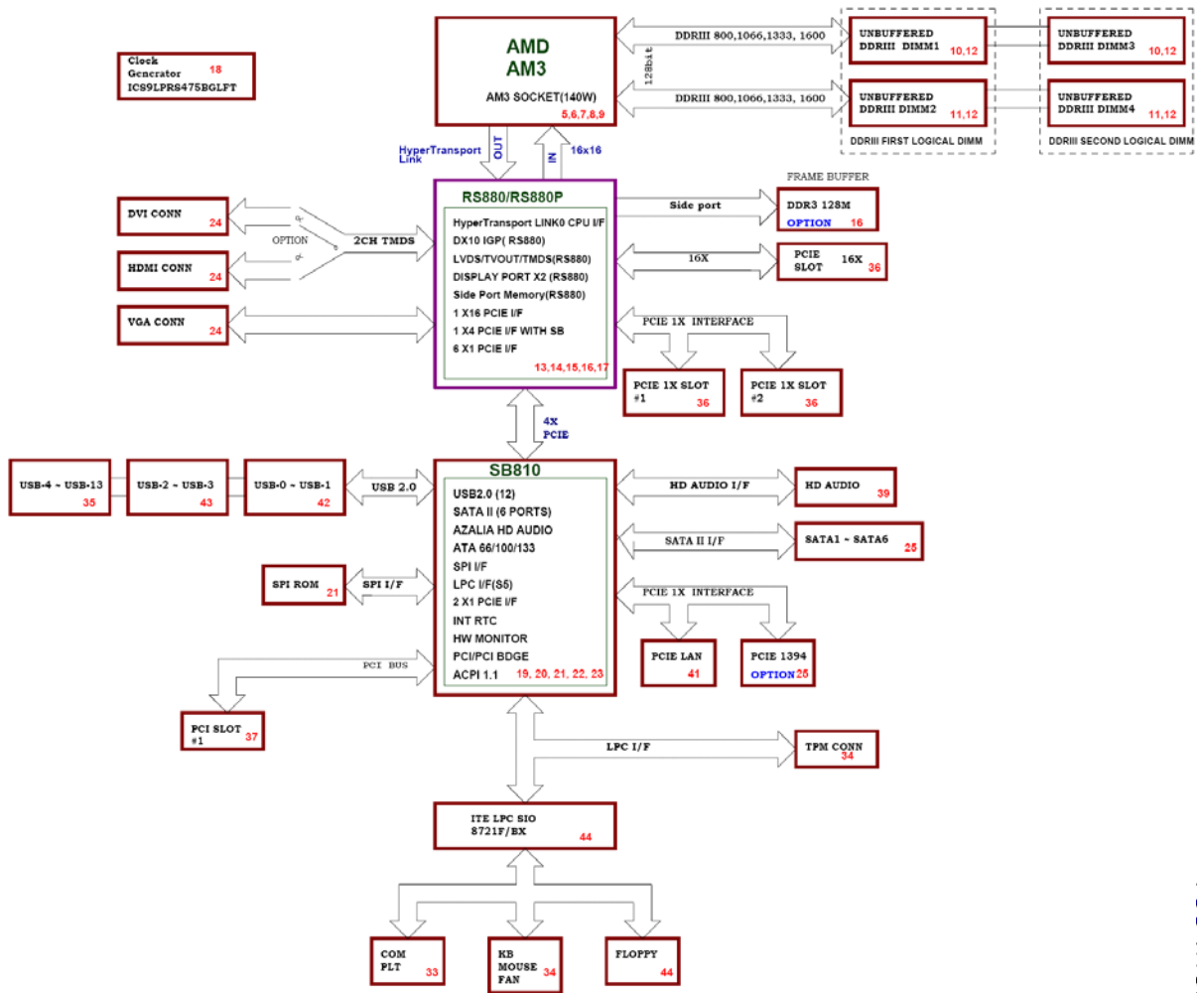
System BIOS

- Size: 8Mbit
- AMI Kernel with Acer skin/copyright

Power supply

- 300W/500W in stable mode (Acer Assign System Power Unit)
- Support 82+ PSU for EnergyStar 5.0 complaint
- Design for RS880P+SB810 series chipset compatible system
- Voltage design should be covered +5V, +3.3V, +12V, +5VSB, -12V (attention to 12V output capability)
- Demand for both PFC/Non-PFC solutions (two different quotations are needed)
- PS2 style

Block Diagram



System Components

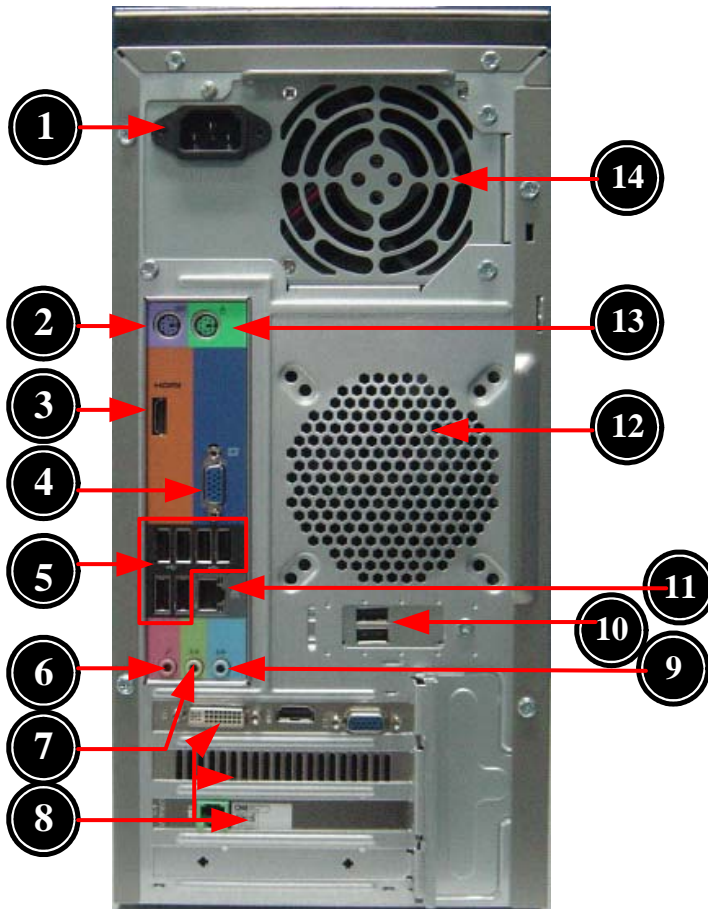
This section is a virtual tour of the system's interior and exterior components.

Front Panel



No.	Component
1	USB 2.0 ports
2	Acer logo
3	Optical drive button
4	Optical drive button (Removable HDD bay for AM551 bezel)
5	Removable HDD bay
6	Power button
7	16 in 1 Card Reader
8	Headphone/Speaker-out/line-out jack
9	Microphone-in jack

Rear Panel



No.	Component
1	Power connector
2	PS2 keyboard port
3	HDMI port
4	VGA port
5	USB 2.0 ports
6	Mic-in
7	Line-out
8	Expansion slot (graphics card and TV tuner card and Mode card)
9	Line-in
10	USB 2.0 ports
11	LAN connector
12	System FAN
13	PS2 mouse port
14	Fan aperture

Hardware Specifications and Configurations

Processor

Item	Specification
Processor Type	Support AM3 6-core Thuban CPU (140W)
Socket Type	AMD Socket AM3
Minimum operating speed	0 MHz (If Stop CPU Clock in Sleep State in BIOS Setup is set to Enabled.)

BIOS

Item	Specification
BIOS code programmer	AMI Kernel with Acer skin
BIOS version	P01-A0
BIOS ROM type	SPI ROM
BIOS ROM size	8Mb
Support protocol	SMBIOS(DMI)2.4/DMI2.0
Device Boot Support	Support BBS spec 1st priority: HDD 2nd priority: CD-ROM 3th priority: LAN 4th priority: USB device
Support to LS-120 drive	YES
Support to BIOS boot block feature	YES

IOS Hotkey List

Hotkey	Function	Description
Del	Enter BIOS Setup Utility	Press while the system is booting to enter BIOS Setup Utility.

Main Board Major Chips

Item	Specification
North Bridge	RS880P
South Bridge	SB810
Audio controller	ALC662-VC
LAN controller	Realtek 8111E Gigabit Ethernet controller
HDD controller	RS880P

Memory Combinations

Slot	Memory	Total Memory
Slot 1	1MB,2GB,4GB	1G ~4GB
Slot 2	1MB,2GB,4GB	1G ~4GB
Slot 3	1MB,2GB,4GB	1G ~4GB
Slot 4	1MB,2GB,4GB	1G ~4GB
Maximum System Memory Supported		1G~16GB

System Memory

Item	Specification
Memory slot number	4 slot
Support Memory size per socket	1GB/2GB/4GB
Support memory type	DDRIII
Support memory interface	DDRIII 1066/1333MHz
Support memory voltage	1.5V
Support memory module package	240-pin DDRIII
Support to parity check feature	Yes
Support to error correction code (ECC) feature	No
Memory module combinations	You can install memory modules in any combination as long as they match the above specifications.

Audio Interface

Item	Specification
Audio controller	ALC662-VC
Audio channel	codec 5.1
Audio function control	Enable/disable by BIOS Setup
Mono or stereo	Stereo
Compatibility	Support host audio controller from the Intel ICH series chipset, and also from any other HDA compatible audio controller. With EAX/Direct Sound 3D/I3DL2/A3D compatibility, and excellent software utilities like environment sound emulation, multiple bands of software equalizer and dynamic range control, optional Dolby, Digital Live, DTS CONNECT, and Dolby Home Theater programs, provides an excellent home entertainment package and game experience for PC users.
Sampling rate	192 KHz (max.)
Microphone/Headphone jack	Supported

SATA Interface

Item	Specification
SATA controller	RS880P
Number of SATA channel	SATA X 6
Support mode	RAID/AHCI/IDE mode option

USB Port

Item	Specification
Universal HCI	USB 2.0/1.1
USB Class	Support legacy keyboard for legacy mode
USB Connectors Quantity	6 back real ports 4 ports for front daughter board 4 ports reserved

Environmental Requirements

Item	Specification
Temperature	
Operating	+5°C ~ +35°C
Non-operating	-20 ~ +60°C (Storage package)
Humidity	
Operating	15% to 80% RH
Non-operating	10% to 90% RH
Vibration	
Operating (unpacked)	5 ~ 500 Hz: 2.20g RMS random, 10 minutes per axis in all 3 axes. 5 ~500 Hz: 1.09g RMS random, 1 hour per axis in all 3 axes.

Power Management

Devices	S1	S3	S4	S5
Power Button	V	V	V	V
USB Keyboard/Mouse	V	V	N/A	N/A
PME	Disabled	Disabled	Disabled	Disabled
RCT	Disabled	Disabled	Disabled	Disabled
WOR	Disabled	Disabled	Disabled	Disabled

- Devices wake up from S3 should be less than.
- Devices wake up from S5 should be less than 10 seconds.

Power Management Function(ACPI support function)

Device Standby Mode

- Independent power management timer for hard disk drive devices(0-15 minutes,time step=1minute).
- Hard Disk drive goes into Standby mode(for ATA standard interface).
- Disable V-sync to control the VESA DPMS monitor.
- Resume method:device activated (keyboard for DOS, keyboard &mouse for Windows).
- Resume recovery time 3-5sec

Global Standby Mode

- Global power management timer(2-120minutes,time step=10minute).
- Hard disk drive goes into Standby mode(for ATA standard interface).
- Disable H-sync and V-sync signals to control the VESA DPMS monitor.
- Resume method: Resume to original state by pushing external switch Button,modem ring in,keyboard an mouse for APM mode.
- Resume recovery time :7-10sec

Suspend Mode

- Independent power management timer(2-120minutes,time step=10minute)or pushing extern switch button.
- CPU goes into SMM
- CPU asserts STPCLK# and goes into the Stop Grant State.
- LED on panel turns amber colour.
- Hard disk drive goes into SLEEP mode (for ATA standard interface).
- Disable H-sync and V-sync signals to control the VESA DPMS monitor.
- Ultra I/O and VGA chip go into power saving mode.
- Resume method: Resume to original state by pushing external switch Button,modem ring in,keyboard an mouse for APM mode
- Return to original state by pushing external switch button,modem ring in and USB keyboard for ACPI mode.

ACPI

- ACPI specification 1.0b
- S0,S1,S2 and S5 sleep state support.
- On board device power management support.
- On board device configuration support.

System Utilities

CMOS Setup Utility

CMOS setup is a hardware configuration program built into the system ROM, called the complementary metal-oxide semiconductor (CMOS) Setup Utility. Since most systems are already properly configured and optimized, there is no need to run this utility. You will need to run this utility under the following conditions.

- When changing the system configuration settings
- When redefining the communication ports to prevent any conflicts
- When modifying the power management configuration
- When changing the password or making other changes to the security setup
- When a configuration error is detected by the system and you are prompted ("Run Setup" message) to make changes to the CMOS setup

NOTE: If you repeatedly receive Run Setup messages, the battery may be bad. In this case, the system cannot retain configuration values in CMOS. Ask a qualified technician for assistance.

CMOS setup loads the configuration values in a battery-backed nonvolatile memory called CMOS RAM. This memory area is not part of the system RAM which allows configuration data to be retained when power is turned off.

Before you run the *CMOS Setup Utility*, make sure that you have saved all open files. The system reboots immediately after you close the Setup.

NOTE: *CMOS Setup Utility* will be simply referred to as "BIOS", "Setup", or "Setup utility" in this guide.

The screenshots used in this guide display default system values. These values may not be the same those found in your system.

Entering CMOS setup

1. Turn on the server and the monitor.

If the server is already turned on, close all open applications, then restart the server.

2. During POST, press **Delete**.

If you fail to press **Delete** before POST is completed, you will need to restart the server.

The Setup Main menu will be displayed showing the Setup's menu bar. Use the left and right arrow keys to move between selections on the menu bar.

Navigating Through the Setup Utility

Use the following keys to move around the Setup utility.

- **Left** and **Right** arrow keys – Move between selections on the menu bar.
- **Up** and **Down** arrow keys – Move the cursor to the field you want.
- **PgUp** and **PgDn** keys – Move the cursor to the previous and next page of a multiple page menu.
- **Home** – Move the cursor to the first page of a multiple page menu.
- **End** – Move the cursor to the last page of a multiple page menu.
- **+** and **-** keys – Select a value for the currently selected field (only if it is user-configurable). Press these keys repeatedly to display each possible entry, or the **Enter** key to choose from a pop-up menu.

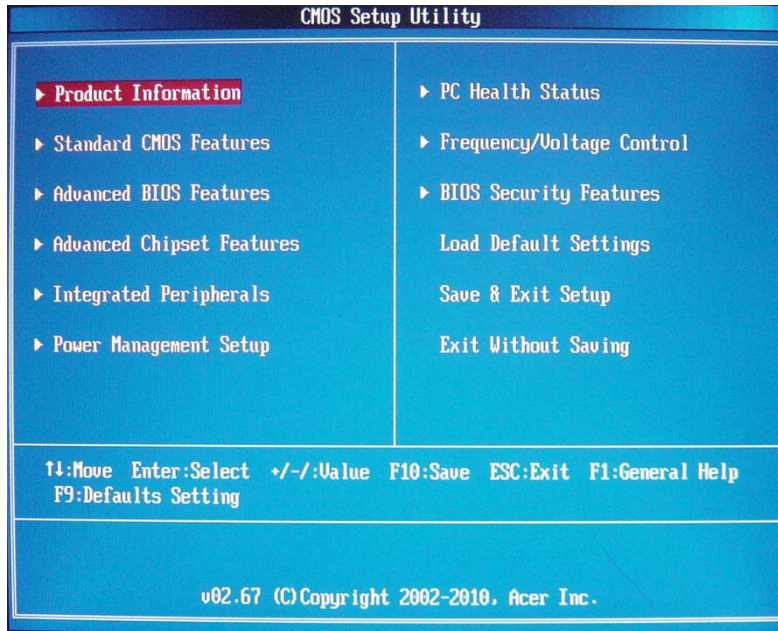
NOTE: Grayed-out fields are not user-configurable.

- **Enter** key – Display a submenu screen.

NOTE: Availability of submenu screen is indicated by a (>).

- **Esc** – If you press this key:
 - On one of the primary menu screens, the Exit menu displays.
 - On a submenu screen, the previous screen displays.
 - When you are making selections from a pop-up menu, closes the pop-up without making a selection.
- **F1** – Display the General Help panel.
- **F6** – Press to load optimized default system values.
- **F7** – Press to load fail-safe default system values.
- **F10** – Save changes made the Setup and close the utility.

Setup Utility Menus



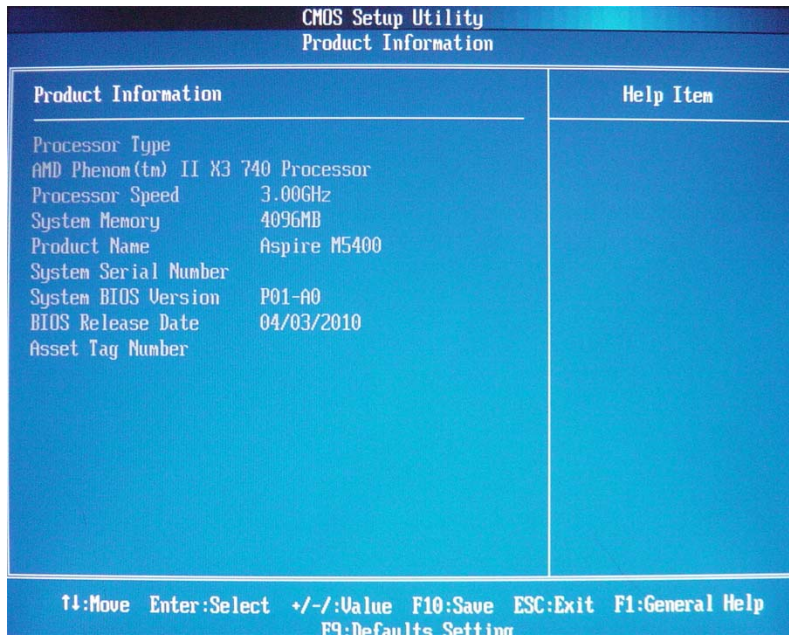
The Setup Main menu includes the following main setup categories.

Parameter	Description
Product Information	This page shows the relevant information of the main board
Standard CMOS Features	This setup page includes all the items in standard compatible BIOS
Advanced BIOS Features	This setup page includes all the items of Award special enhanced features
Advanced Chipset Features	This setup page includes all advanced chipset features
Integrated Peripherals	This setup page includes all onboard peripherals
Power Management Setup	This setup page includes all the items of Green function features
PC Health Status	This setup page is the System auto detect Temperature, voltage, and fan speed
Frequency/Voltage Control	This setup page is the System Frequency setup
BIOS Security Features	Change, set or disable password. It allows you to limit access to the System
Load Default Setting	Load Default Setting indicates the value of the system parameters which the system would be in best performance configuration
Save & Exit Setup	Save CMOS value settings to CMOS and exit setup
Exit Without Saving	Abandon all CMOS value changes and exit setup

In the descriptive table following each of the menu screenshots, settings in **boldface** are the default and suggested settings.

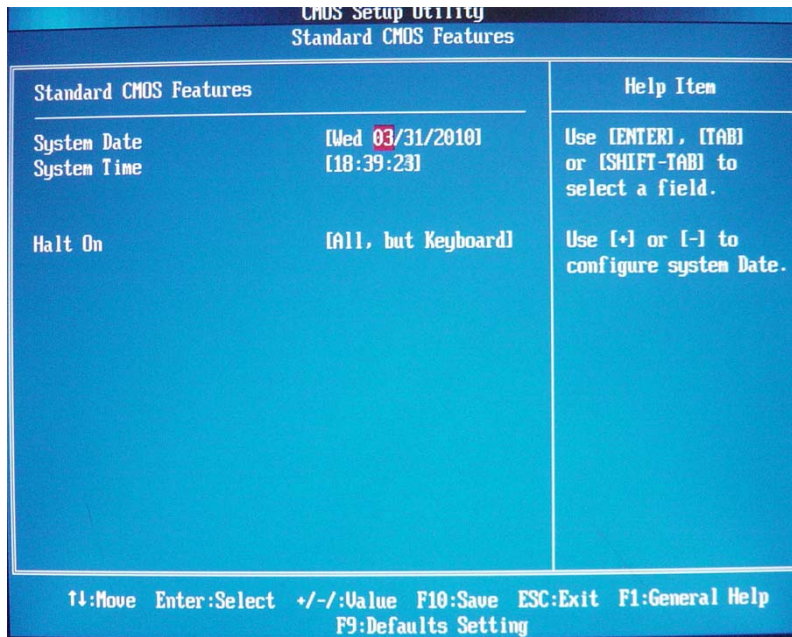
Product Information

The Product Information menu displays basic information about the system. These entries are for your reference only and are not user-configurable.



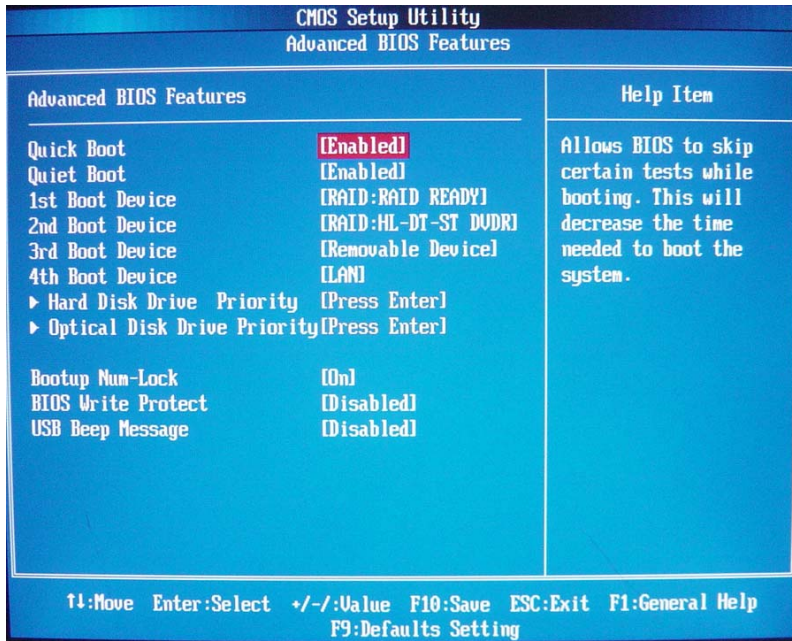
Parameter	Description
Processor Type	Type of CPU installed on the system.
Processor Speed	Speed of the CPU installed on the system.
System Memory	Total size of system memory installed on the system.
Product Name	Product name of the system.
System Serial Number	Serial number of the system.
System BIOS Version	Version number of the BIOS setup utility.
BIOS Release Date	Date when the BIOS setup utility was released
Asset Tag Number	Asset tag number of this system.

Standard CMOS Features



Parameter	Description	Option
System Date	Set the date following the weekday-month-day-year format.	
System Time	Set the system time following the hour-minute-second format.	
Halt On	Determines whether the system will stop for an error during the POST.	All, But Keyboard No Errors All Errors

Advanced BIOS Feature



Parameter	Description	Option
Quick Boot	Allows you to decrease the time it takes to boot the computer by shortening or skipping certain standard booting process.	Enabled Disabled
Quiet Boot	When enabled, the BIOS splash screen displays during startup. When disabled, the diagnostic screen displays during startup.	Enabled Disabled
1st/2nd/3rd/4th Boot Device	Specifies the boot order from the available devices.	Hard Disk CD^DVD Removable Device LAN
Hard Disk Drive Priority	Press Enter to access the Hard Disk Drive Priority submenu and specify the boot device priority sequence from available hard drives.	
Optical Disk Drives Priority	Press Enter to access the Optical Disk Drive Priority submenu and specify the boot device priority sequence from available CD/DVD drives.	
Removable Device Priority	Press Enter to access the Removable Device Priority submenu and specify the boot device priority sequence from available removable drives.	
Bootup Num-Lock	Selects power on state for Num Lock.	On Off
USB Beep Message	Enables or disables BIOS to display error beeps or messages during USB device enumeration.	Disabled Enabled

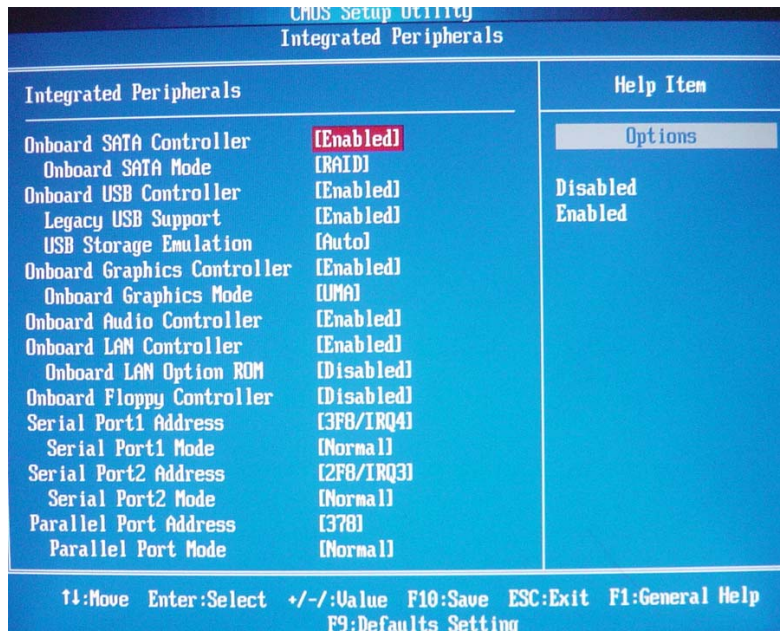
Advanced Chipset Features

Advanced Chipset Settings		Help Item
AMD Cool'n'Quiet	[Enabled]	Enable/disable the generation of ACPI _PPC, _PSS, and _PCT objects.
AMD-V	[Enabled]	
ASF	[Enabled]	
Primary Video	[Auto]	
UMA Frame Buffer Size	[Auto]	
Surround View	[Disabled]	

↑↓:Move Enter:Select +/-:Value F10:Save ESC:Exit F1:General Help
F9:Defaults Setting

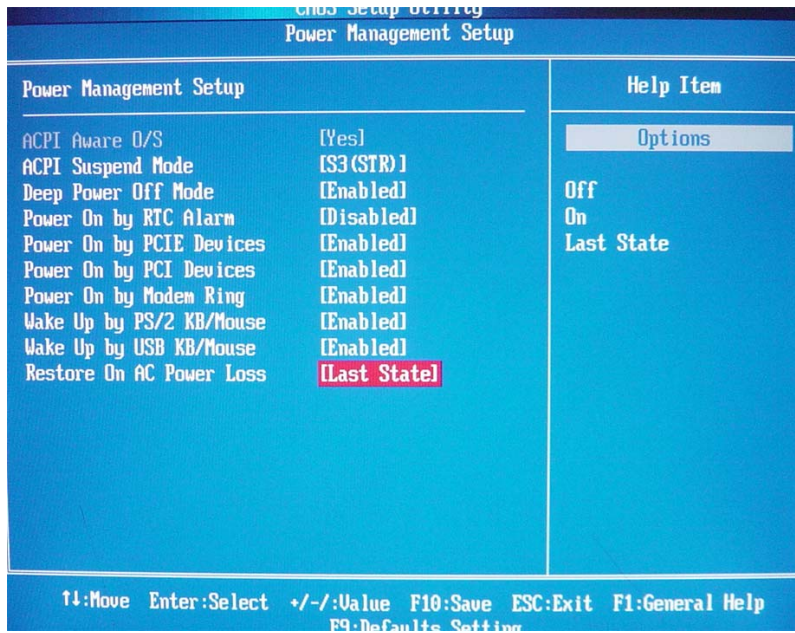
Parameter	Description	Option
AMD Cool'n' Quiet	When enabled, this feature allows the OS to reduce power consumption. When disabled, the system operates at maximum CPU speed.	Enabled Disabled
AMD-V	Enables or disables the Virtualization Technology (VT) availability. If enabled, a virtual machine manager (VMM) can utilize the additional hardware virtualization capabilities provided by this technology. Note: A full reset is required to change the setting.	Enabled Disabled
ASF	Enables or disables ASF	Enabled Disabled
Primary Video	Select a Video memory size	Auto
UMA Frame buffer Size	Select a Frame buffe size	Auto
Surround view	Enables or disables Surrande view	Enabled Disabled

Integrated Peripherals



Parameter	Description	Option
Onboard SATA Controller	Enables or disables the onboard SATA controller.	Enabled Disabled
Onboard SATA Mode	Select an operating mode for the onboard SATA.	RAID Native IDE
Onboard USB Controller	Enables or disables the onboard USB controller.	Enabled Disabled
Legacy USB Support	Enables or disables support for legacy USB devices.	Enabled Disabled
USB Storage Emulation	Enables or disables support for legacy USB devices.	Enabled Disabled
Onboard Graphics Controller	Enables or disables the onboard USB controller.	Enabled Disabled
Onboard Graphics Mode	select a mode of the onboard graphics	UMA
Onboard Audio Controller	Enables or disables the onboard audio controller.	Enabled Disabled
Onboard LAN Controller	Enables or disables the onboard LAN controller.	Enabled Disabled
Onboard LAN Option ROM	Enables or disables the load of embedded option ROM for onboard network controller.	Enabled Disabled
Onboard Floppy Controller	Enables or disables the onboard Floppy controller.	Enabled Disabled
Serial Port1 Address	select a port base on address	3F8/IRQ4
Serial Port1 Mode	select the mode	Normal
Serial Port2 Address	select a port base on address	2F8/IRQ3
Serial Port2 Mode	select the mode	Normal
Parallel Port Address	select a port base on address	378
Parallel Port Mode	select the mode	Normal

Power Management Setup



Parameter	Description	Option
ACPI Suspend Mode	Select an ACPI state.	S3 (STR) S1 (POS)
Deep power off mode	Select the Deep power off Mode	Enabled Disabled
Power On by RTC Alarm	Enables or Disables to wake up the system by RTC Alarm Function	Enabled Disabled
Power On by PCIE Devices	Enables or disables to wake up the system from a power saving mode through an event on PCI Express device.	Enabled Disabled
Power On by PCI Devices	Enables or disables to wake up the system from a power saving mode through an event on PCI device.	Enabled Disabled
Power On by Modem Ring	Enables or disables to wake up the system from a power saving mode through Modem Ring.	Enabled Disabled
Wake Up by PS/2 KB/ Mouse	Enables or disables to wake up the system from a power saving mode using a PS2 keyboard or mouse.	Enabled Disabled
Wake Up by USB KB/ Mouse	If enabled, press any key or click the mouse will wake system from S1/ S3 state.	Enabled Disabled
Restore On AC Power Loss	Enables or disables the system to reboot after a power failure or interrupt occurs.	Power Off Power On Last State

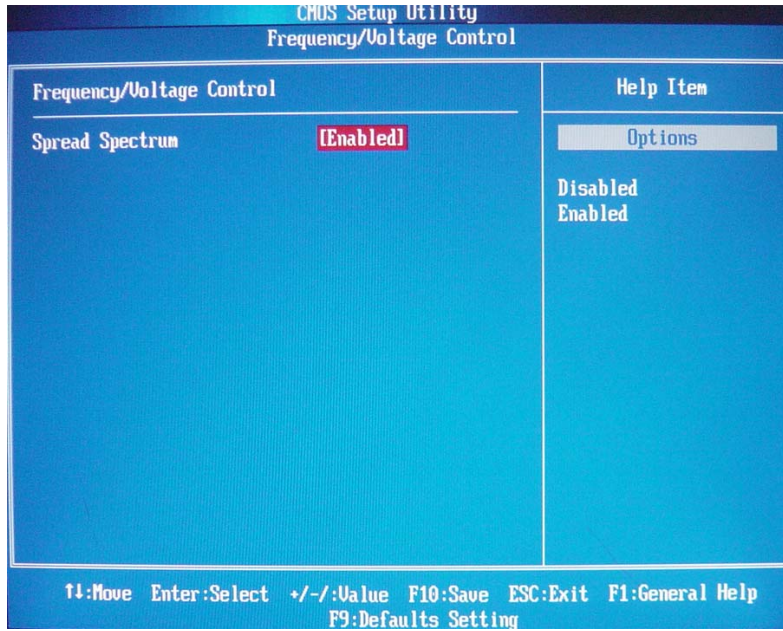
PC Health Status

PC Health Status		Help Item
CPU Temperature	:40°C/104°F	System will shutdown when System temperature higher than the item setting value
System Temperature	:46°C/114°F	
CPU Fan Speed	:1700 RPM	
System Fan Speed	:N/A	
CPU Core	:1.308 V	
+1.2V	:1.212 V	
+3.30V	:3.384 V	
+5.00V	:4.957 V	
+12.0V	:12.096 V	
5USB	:5.036 V	
VBAT	:3.408 V	
System Shutdown Temperature	[Disabled]	
CPU Shutdown Temperature	[Disabled]	
Smart Fan	[Enabled]	

↑↓:Move Enter:Select +/-:Value F10:Save ESC:Exit F1:General Help
F9:Defaults Setting

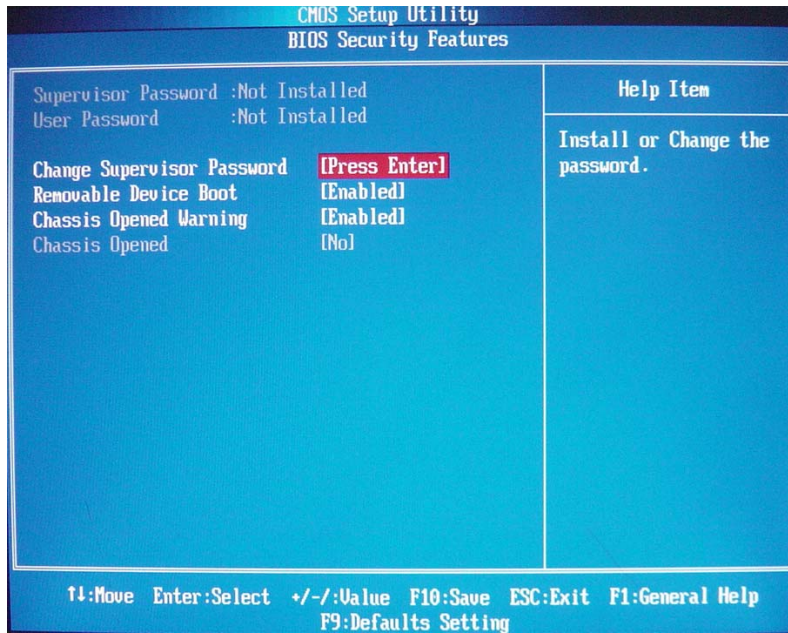
Parameter	Description	Option
system Shutdown Temperature	Select the system Shutdown Temperature	Enabled Disabled
CPU Shutdown Temperature	Select the system Shutdown Temperature	Enabled Disabled
Smart FAN	Enables or disables the smart system fan control function.	Enabled Disabled

Frequency/Voltage Control



Parameter	Description	Option
Spread Spectrum	Enables or disables the reduction of the mainboard's EMI. Note: Remember to disable the Spread Spectrum feature if you are overclocking. A slight jitter can introduce a temporary boost in clock speed causing the overclocked processor to lock up.	Enabled Disabled

BIOS Security Features



Parameter	Description
Supervisor Password	Indicates the status of the supervisor password.
User Password	Indicates the status of the user password.
Change Supervisor Password	Supervisor password prevents unauthorized access to the BIOS Setup Utility. Press Enter to change the Supervisor password.

Setting a supervisor password

1. Use the up/down arrow keys to select Change Supervisor Password menu then press **Enter**.
A password box will appear.
2. Type a password then press **Enter**.
The password may consist up to six alphanumeric characters (A-Z, a-z, 0-9)
3. Retype the password to verify the first entry then press **Enter** again.
4. Press **F10**.
5. Select **Yes** to save the new password and close the Setup Utility.

Changing the supervisor password

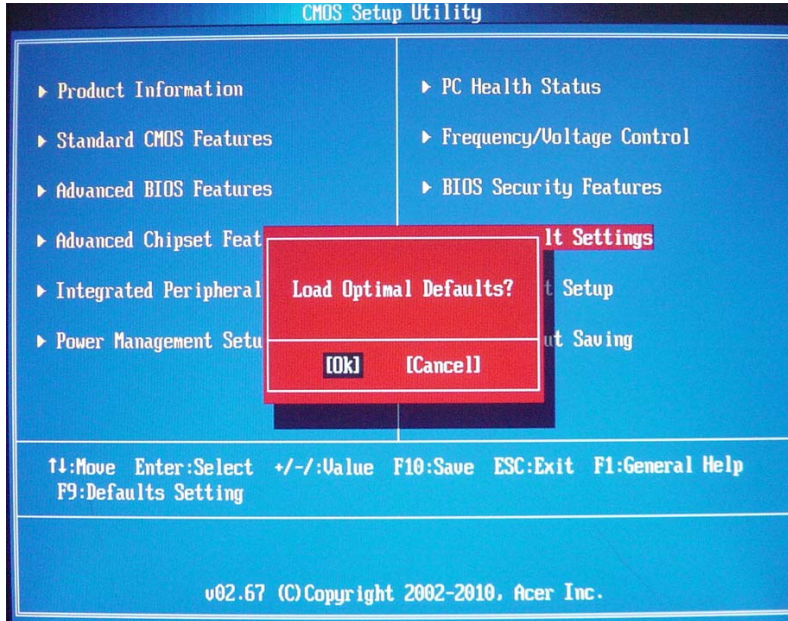
1. Use the up/down arrow keys to select Change Supervisor Password menu then press **Enter**.
2. Type the original password then press **Enter**.
3. Type a new password then press **Enter**.
4. Retype the password to verify the first entry then press **Enter** again.
5. Press **F10**.
6. Select **Yes** to save the new password and close the Setup Utility.

Removing a supervisor password

1. Use the up/down arrow keys to select Change Supervisor Password menu then press **Enter**.
2. Enter the current password then press **Enter**.
3. Press **Enter** twice without entering anything in the password fields.

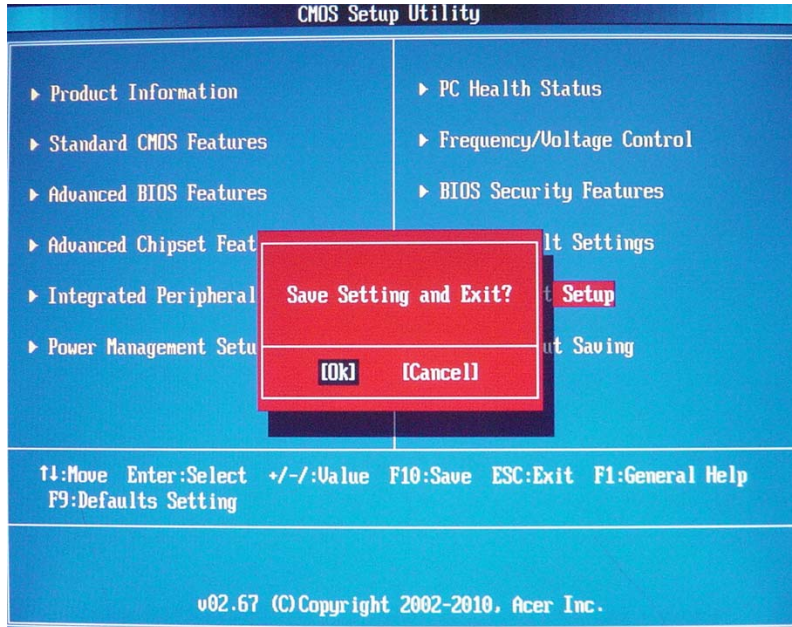
Load Default Settings

The Load Default Settings menu allows you to load the default settings for all BIOS setup parameters. Setup defaults are quite demanding in terms of resources consumption. If you are using low-speed memory chips or other kinds of low-performance components and you choose to load these settings, the system might not function properly.



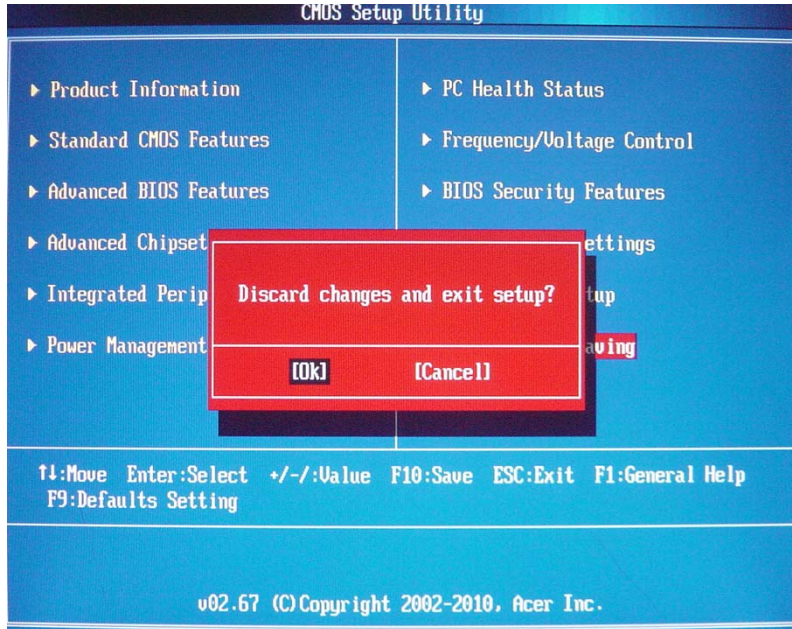
Save & Exit Setup

The Save & Exit Setup menu allows you to save changes made and close the Setup Utility.



Exit Without Saving

The Exit Without Saving menu allows you to discard changes made and close the Setup Utility.



System Disassembly

This chapter contains step-by-step procedures on how to disassemble the desktop computer for maintenance and troubleshooting.

Disassembly Requirements

To disassemble the computer, you need the following tools:

- Wrist grounding strap and conductive mat for preventing electrostatic discharge
- Flat-blade screwdriver
- Philips screwdriver
- Hex screwdriver
- Plastic flat-blade screwdriver
- Plastic tweezers

NOTE: The screws for the different components vary in size. During the disassembly process, group the screws with the corresponding components to avoid mismatch when putting back the components.

Pre-disassembly Procedure

Before proceeding with the disassembly procedure, perform the steps listed below:

1. Turn off the system and all the peripherals connected to it.
2. Unplug the power cord from the power outlets.
3. Unplug the power cord from the system.
4. Unplug all peripheral cables from the system.
5. Place the system unit on a flat, stable surface.

Removing the Side Panel

1. Remove the two screws located on the rear edge of the side panel.



2. Slide the side panel toward the back of the chassis until the tabs on the cover disengage with the slots on the chassis.
3. Lift the side panel away from the server and put it aside for reinstallation later.



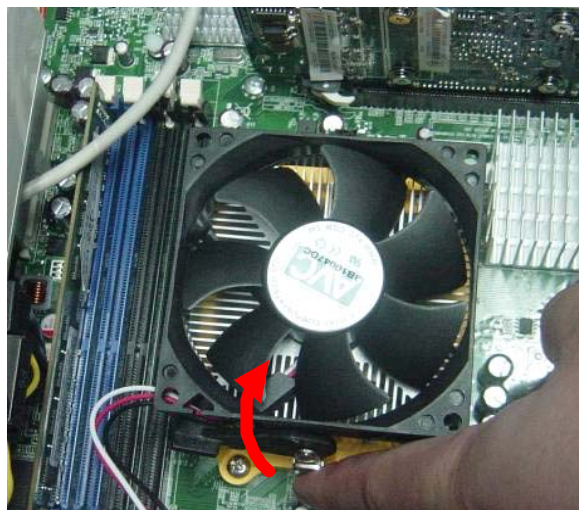
Removing the Heat Sink Fan Assembly

WARNING: The heat sink becomes very hot when the system is on. NEVER touch the heat sink with any metal or with your hands.

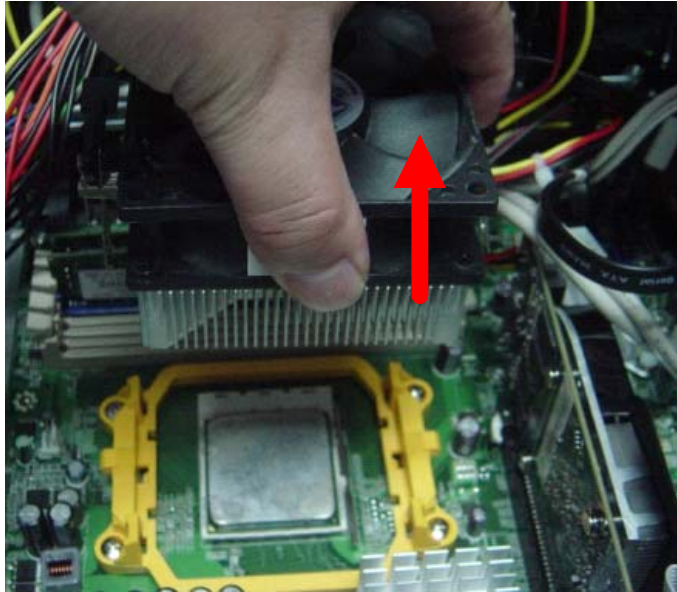
1. Disconnect the fan cable from the mainboard.



2. Use a long-nosed screwdriver to loosen the four screws on the heat sink, in the order as shown below.



-
3. Lift the heat sink fan assembly away from the mainboard.



4. Use an alcohol pad to wipe off the thermal grease from both the heat sink and the processor.

Removing the Processor

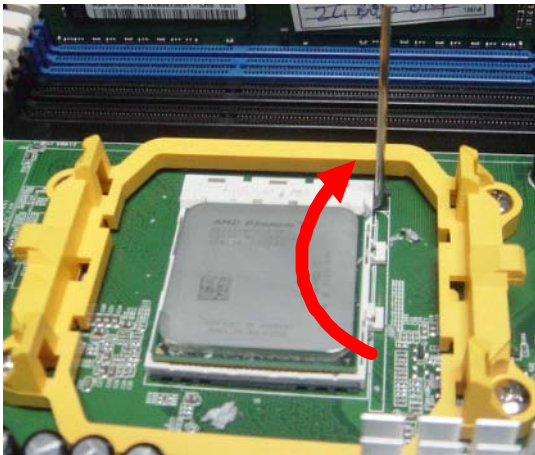
IMPORTANT: Before removing a processor from the mainboard, make sure to create a backup file of all important data.

WARNING: The processor becomes very hot when the system is on. Allow it to cool off first before handling.

1. Release the load lever.



2. Lift the load lever and load plate to the fully open.
3. Pull out the processor from the socket.



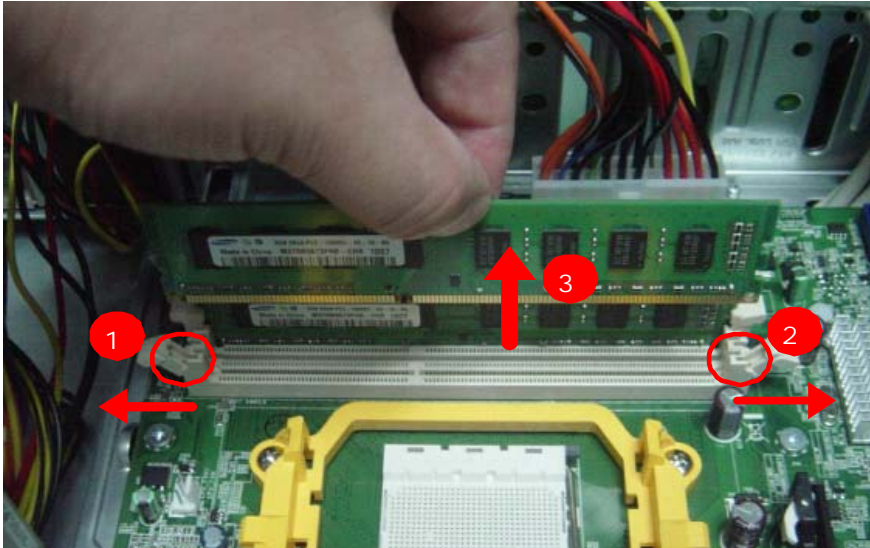
IMPORTANT: If you are going to install a new processor, note the arrow on the corner to make sure the processor is properly oriented over the socket.



Removing the Memory Modules

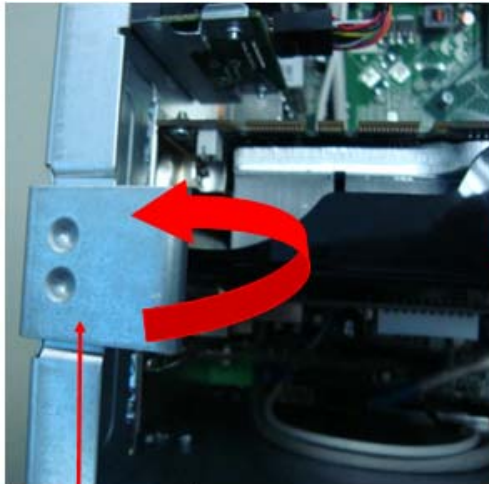
IMPORTANT: Before removing any DIMM from the memory board, make sure to create a backup file of all important data.

1. Press the holding clips on both sides of the DIMM slot outward to release the DIMM(1,2).
2. Gently pull the DIMM upward to pull it away from the M/B(3).



Removing the VGA Card

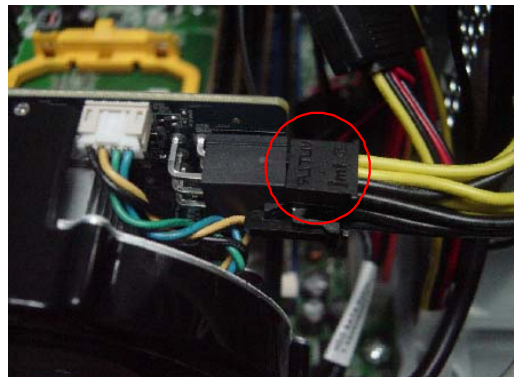
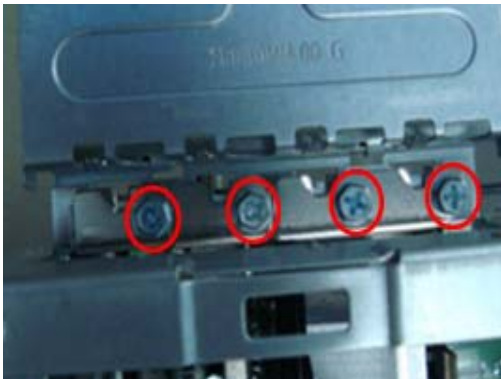
1. Release the Slot cover lock.



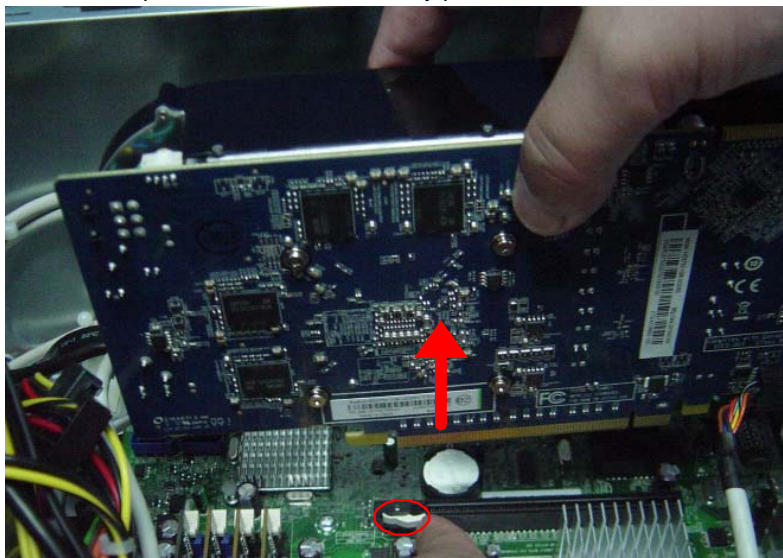
Slot Cover Lock



2. Remove the screw from chassis.
3. Disconnect the power cables from the VGA card.

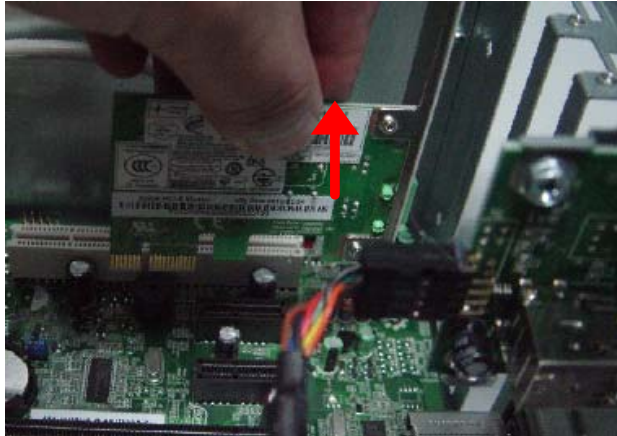


4. One finger Press the clip and the same time Gently pull the card to remove it from the mainboard.



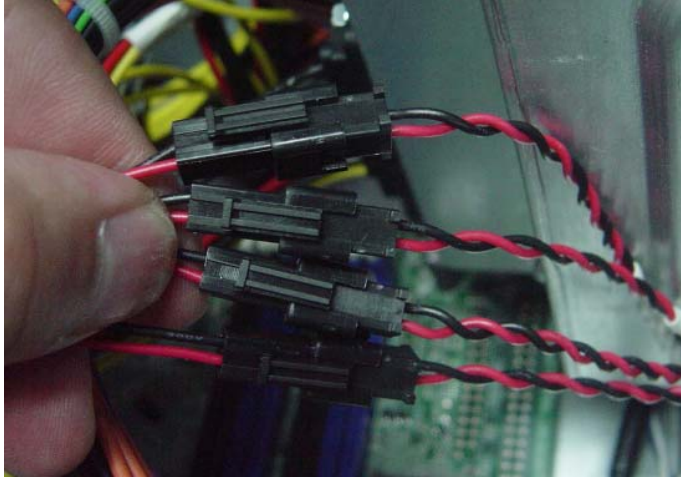
Removing the Mode Card

1. Gently pull the Mode card to remove it from the mainboard.

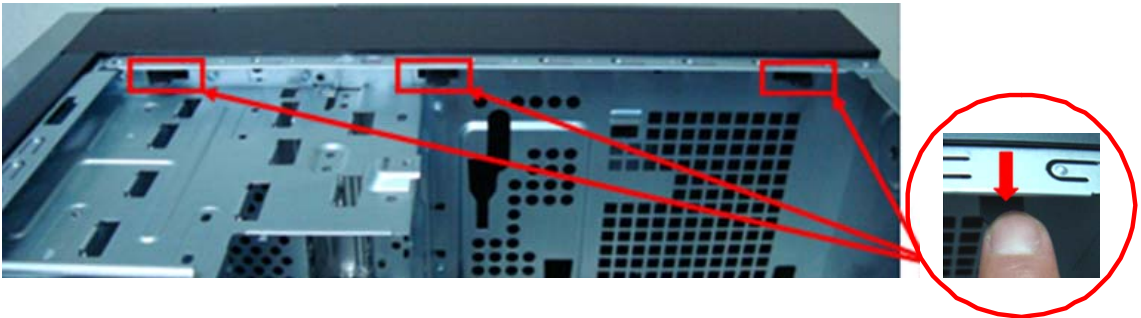


Removing the Front Bezel

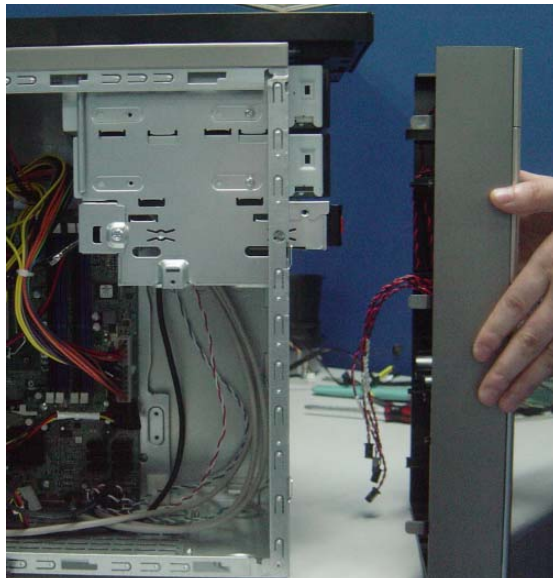
1. Remove the side panel. Refer to the previous section for instructions.
2. Disconnect the LED cable.



3. Release the front bezel from the chassis interior.



4. Pull the bezel away from the chassis.

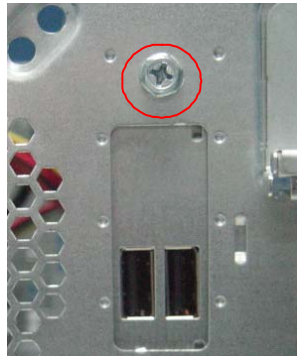


Removing Rear USB Board

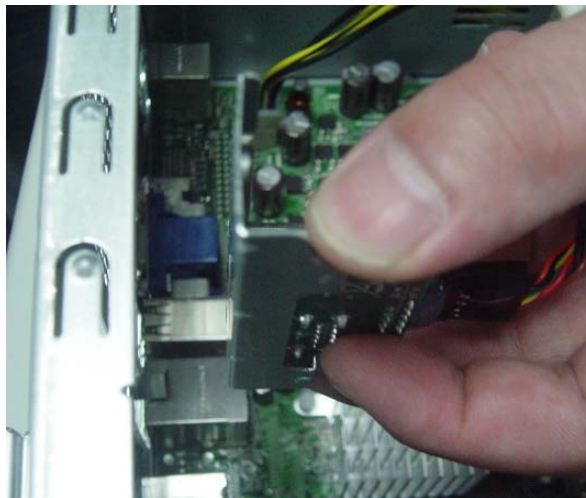
1. Remove USB cable



2. Release the screw of rear usb.

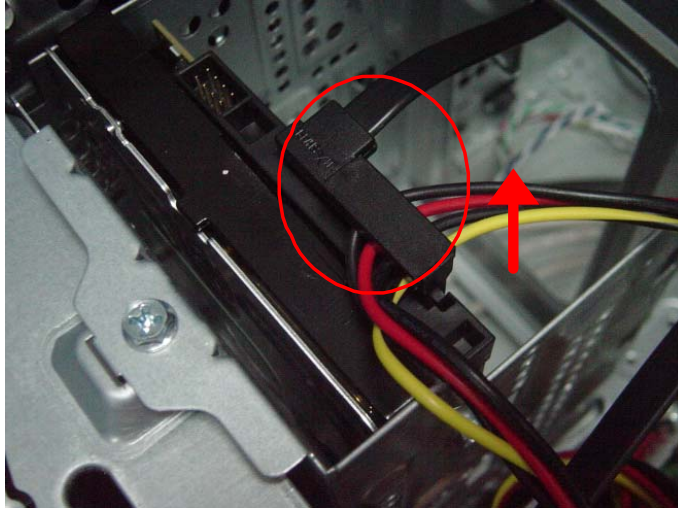


3. Remove the rear usb board.



Removing the Hard Disk Drive

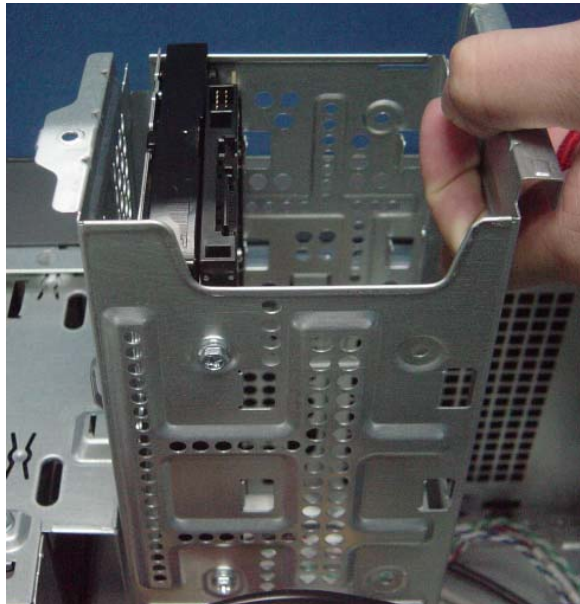
1. Disconnect the data and power cables from the rear of the optical drive and the mainboard.



2. Remove the HDD bracket
 - a. Remove the screw that secures the HDD bracket to the ODD bracket.

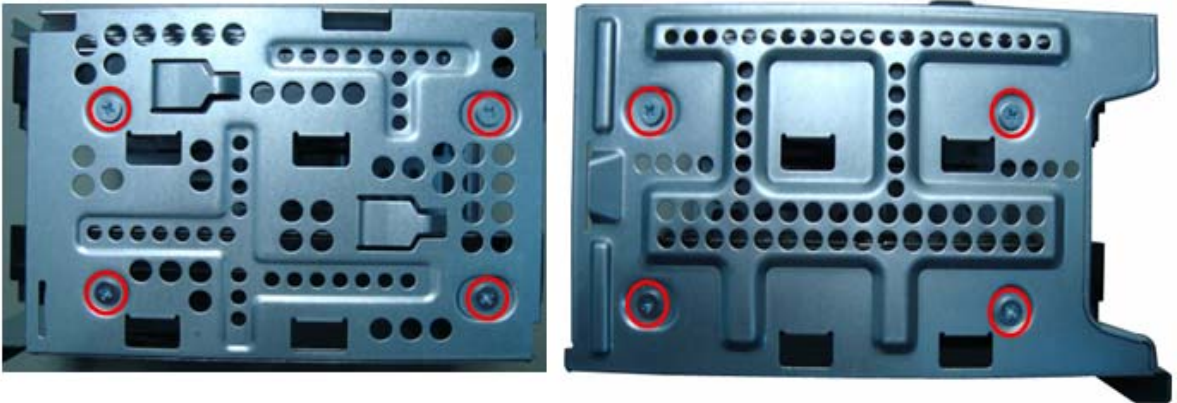


- b. Lift the bracket up and turn it over.

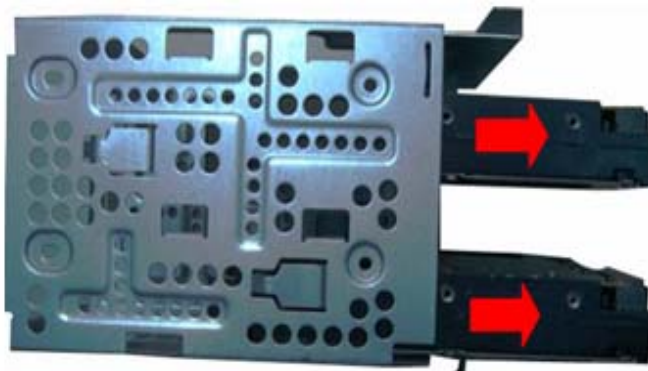


3. Remove the HDD module

- a. Remove the eight screws secure the HDD module to the HDD bracket.



- b. Slide the HDD out of the bracket.



Removing the Optical Drive

1. Disconnect the data and power cables from the rear of the optical drive.



2. Remove screw from the optical drive.

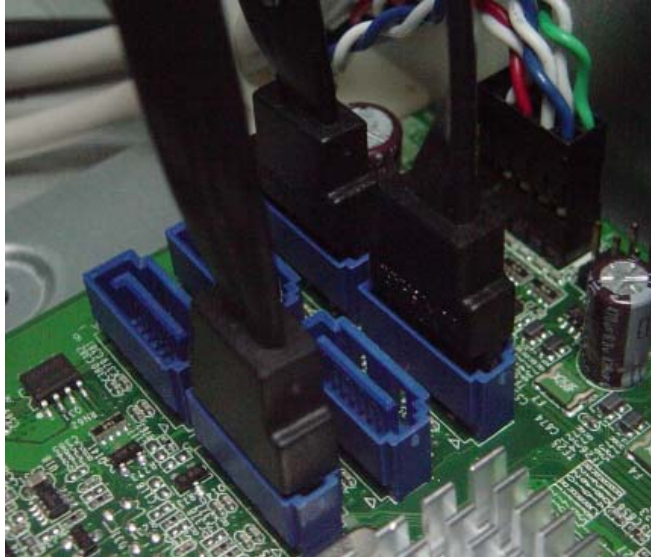


3. Pull the drive out of the drive.

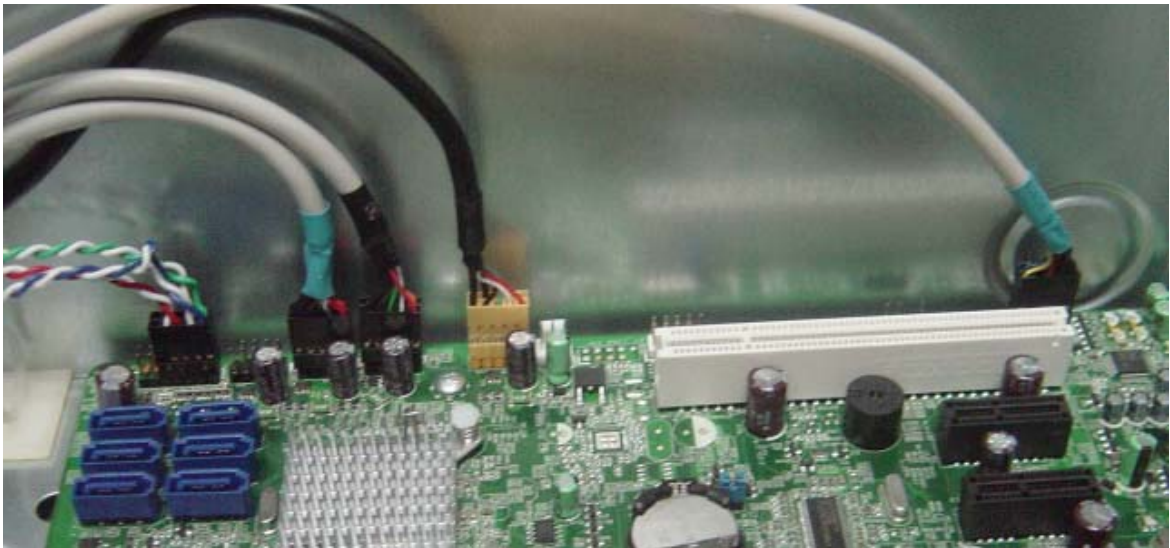


Removing Cables

1. Remove power switch and LED cables from slot of M/B
2. Remove HDD Data and ODD Data cables from slot of M/B.



3. Remove USB1/2/3 cable from M/B.
4. Remove FIO cable and Audio cable from M/B

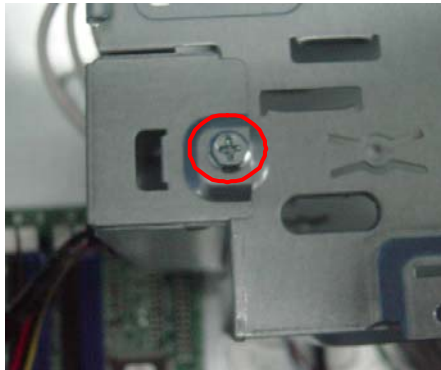


Removing the removable HDD bay

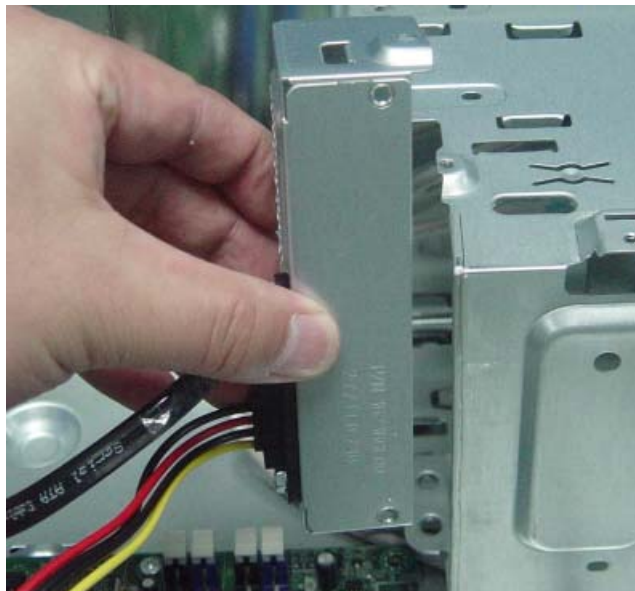
1. Remove the HDD rail



2. Remove the screws that secure the HDD bay.

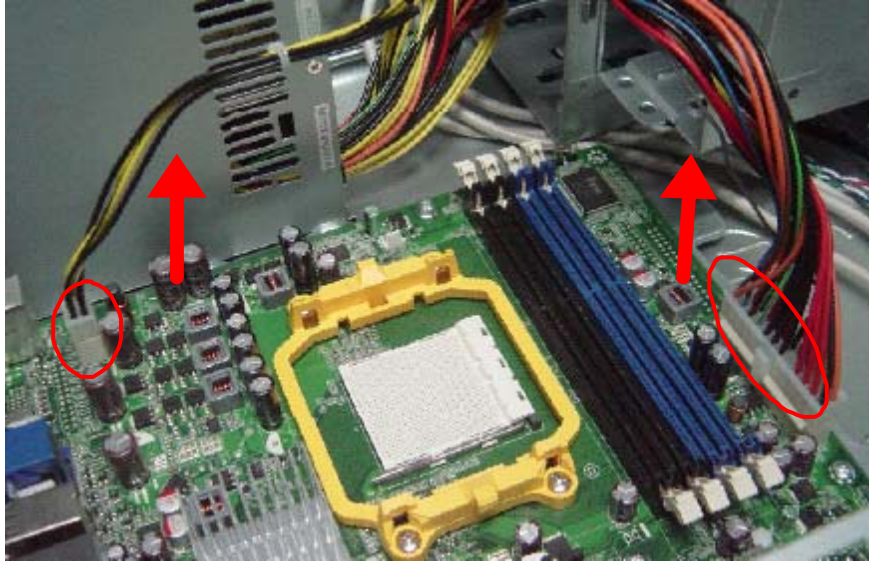


3. Remove the HDD bay.



Removing the Power Supply

1. Disconnect the 24-pin and 4-pin power supply cables from the mainboard.



2. Remove the four screws that secure the power supply to the chassis.

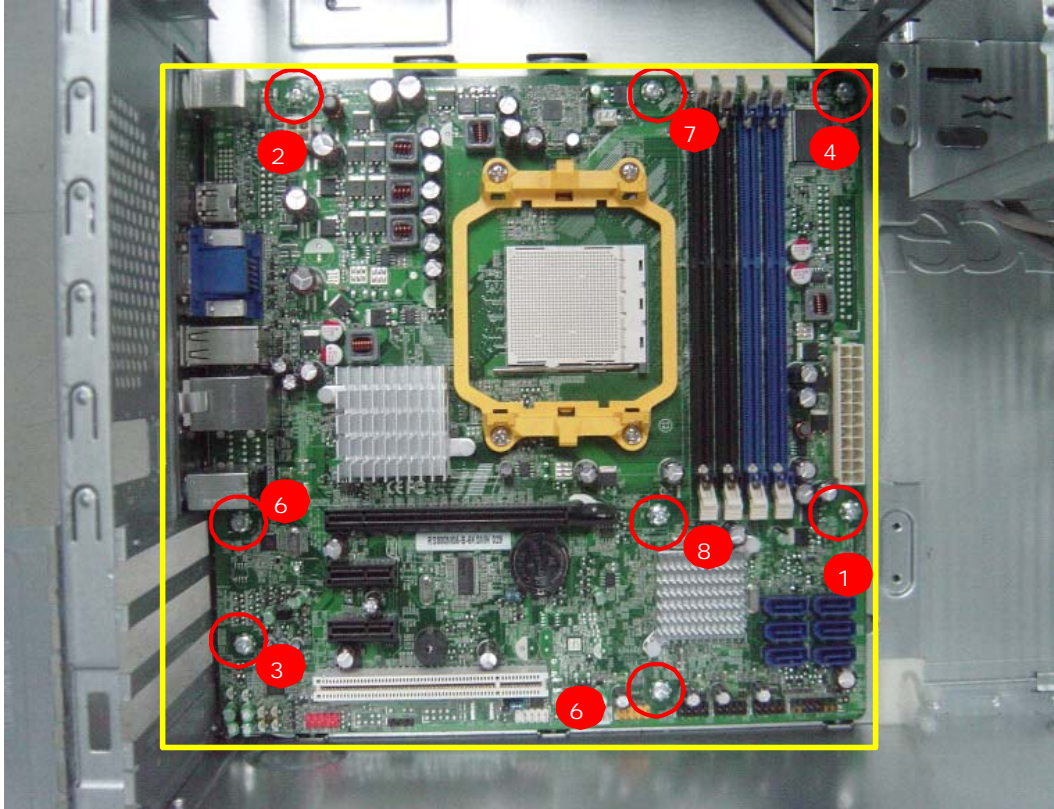


3. Lift the power supply module out of the chassis.



Removing the Mainboard

1. Remove the eight screws that secure the mainboard to the chassis.



Note: Circuit boards >10 cm² has been highlighted with the yellow rectangle as above image shows.

Please detach the Circuit boards and follow local regulations for disposal.

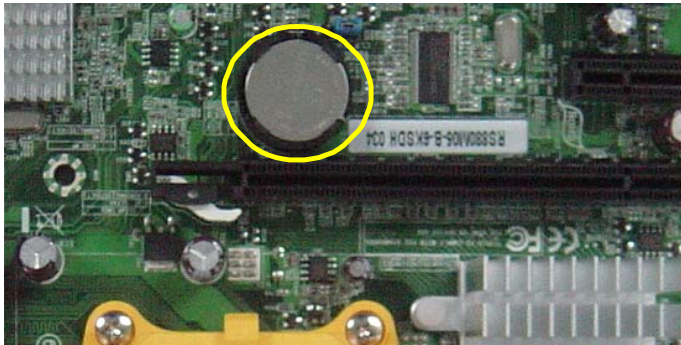
2. Lift the board from the chassis.



3. Punching in IO Shield then you can remove it.



4. Remove the RTC battery.



Note: RTC battery has been highlighted with the yellow circle as above image shows. Please detach the RTC battery and follow local regulations for disposal.

System Troubleshooting

This chapter provides instructions on how to troubleshoot system hardware problems.

Hardware Diagnostic Procedure

IMPORTANT: The diagnostic tests described in this chapter are only intended to test Acer products. Non-Acer products, prototype cards, or modified options can give false errors and invalid system responses.

1. Obtain the failing symptoms in as much detail as possible.
2. Verify the symptoms by attempting to recreate the failure by running the diagnostic tests or repeating the same operation.
3. Refer to “Power System check” and “Beep Codes” to determine which corrective action to perform.

System Check Procedures

Power System Check

If the system will power on, skip this section. Refer to System External Inspection.

If the system will not power on, do the following:

- Check if the power cable is properly connected to the system and AC source.
- Check if the voltage selector switch is set to the correct voltage setting.

System External Inspection

1. Inspect the LED indicators on the front panel, which can indicate the malfunction.
2. Make sure that air flow is not blocked.
3. Make sure nothing in the system is making contact that could short out power.
4. If the problem is not evident, continue with System Internal Inspection.

System Internal Inspection

1. Turn off the system and all the peripherals connected to it.
2. Unplug the power cord from the power outlets.
3. Unplug the power cord from the system.
4. Unplug all peripheral cables from the system.
5. Place the system unit on a flat, stable surface.
6. Remove the system covers. For instructions on removing system covers, refer to "System Disassembly".
7. Verify that components are properly seated.
8. Verify that all cable connectors inside the system are firmly and correctly attached to their appropriate connectors.
9. Verify that all components are Acer-qualified and supported.
10. Replace the system covers.
11. Power on the system.
12. If the problem with the system is not evident, you can try viewing the POST messages and BIOS event logs during the system startup.

Beep Codes

Beep codes are used by the BIOS to indicate a serious or fatal error to the end user. Beep codes are used when an error occurs before the system video has been initialized. Beep codes will be generated by the system board speaker, commonly referred to as the PC speaker.

AMIBIOS displays the checkpoints in the bottom right corner of the screen during POST. This display method is limited, since it only displays checkpoints that occur after the video card has been activated.

Not all computers using AMIBIOS enable this feature. In most cases, a checkpoint card is the best tool for viewing AMIBIOS checkpoints.

Beep Symptom	Cause and Description
One short beep	System is ready. System is OK.
Continuous one long beep	Memory not installed or memory error.
One long beep and two short beeps then repeat.	VGA not installed or VGA error. Graphics card error/not installed, graphics card memory error or graphics card BIOS checksum error.
One long beep then two short beep	BIOS damaged. BIOS is damaged, BIOS POST jumps to Boot Block to execute the default procedures.
Two short beeps	CMOS damaged. CMOS checksum error or CMOS battery loss occurs.

Checkpoints

A checkpoint is either a byte or word value output to I/O port 80h. The BIOS outputs checkpoints throughout bootblock and Power-On Self Test (POST) to indicate the task the system is currently executing. Checkpoints are very useful in aiding software developers or technicians in debugging problems that occur during the pre-boot process.

Viewing BIOS checkpoints

Viewing all checkpoints generated by the BIOS requires a checkpoint card, also referred to as a POST card or POST diagnostic card. These are ISA or PCI add-in cards that show the value of I/O port 80h on a LED display. Checkpoints may appear on the bottom right corner of the screen during POST. This display method is limited, since it only displays checkpoints that occur after the video card has been activated.

Bootblock Initialization Code Checkpoints

The Bootblock initialization code sets up the chipset, memory, and other components before system memory is available. The following table describes the type of checkpoints that may occur during the bootblock initialization portion of the BIOS.

NOTE: Please note that checkpoints may differ between different platforms based on system configuration. Checkpoints may change due to vendor requirements, system chipset or option ROMs from add-in PCI devices.

Checkpoint	Description
Before D0	If boot block debugger is enabled, CPU cache-as-RAM functionality is enabled at this point. Stack will be enabled from this point.
D0	Early Boot Strap Processor (BSP) initialization like microcode update, frequency and other CPU critical initialization. Early chipset initialization is done.
D1	Early super I/O initialization is done including RTC and keyboard controller. Serial port is enabled at this point if needed for debugging. NMI is disabled. Perform keyboard controller BAT test. Save power-on CPUID value in scratch CMOS. Go to flat mode with 4GB limit and GA20 enabled.
D2	Verify the boot block checksum. System will hang here if checksum is bad.
D3	Disable CACHE before memory detection. Execute full memory sizing module. If memory sizing module not executed, start memory refresh and do memory sizing in Boot block code. Do additional chipset initialization. Re-enable CACHE. Verify that flat mode is enabled.
D4	Test base 512KB memory. Adjust policies and cache first 8MB. Set stack.
D5	Bootblock code is copied from ROM to lower system memory and control is given to it. BIOS now executes out of RAM. Copies compressed boot block code to memory in right segments. Copies BIOS from ROM to RAM for faster access. Performs main BIOS checksum and updates recovery status accordingly.
D6	Both key sequence and OEM specific method is checked to determine if BIOS recovery is forced. Main BIOS checksum is tested. If BIOS recovery is necessary, control flows to checkpoint E0. See Bootblock Recovery Code Checkpoints section for more information.
D7	Restore CPUID value back into register. The Bootblock-Runtime interface module is moved to system memory and control is given to it. Determine whether to execute serial flash.
D8	The Runtime module is uncompressed into memory. CPUID information is stored in memory.
D9	Store the Uncompressed pointer for future use in PMM. Copying Main BIOS into memory. Leaves all RAM below 1MB Read-Write including E000 and F000 shadow areas but closing SMRAM.

Checkpoint	Description
DA	Restore CPUID value back into register. Give control to BIOS POST (ExecutePOSTKernel). See POST Code Checkpoints section of document for more information.
DC	System is waking from ACPI S3 state.
E1-E8 EC-EE	OEM memory detection/configuration error. This range is reserved for chipset vendors & system manufacturers. The error associated with this value may be different from one platform to the next.

Bootblock Recovery Code Checkpoints

The Bootblock recovery code gets control when the BIOS determines that a BIOS recovery needs to occur because the user has forced the update or the BIOS checksum is corrupt. The following table describes the type of checkpoints that may occur during the Bootblock recovery portion of the BIOS.

NOTE: Checkpoints may differ between different platforms based on system configuration. Checkpoints may change due to vendor requirements, system chipset or option ROMs from add-in PCI devices.

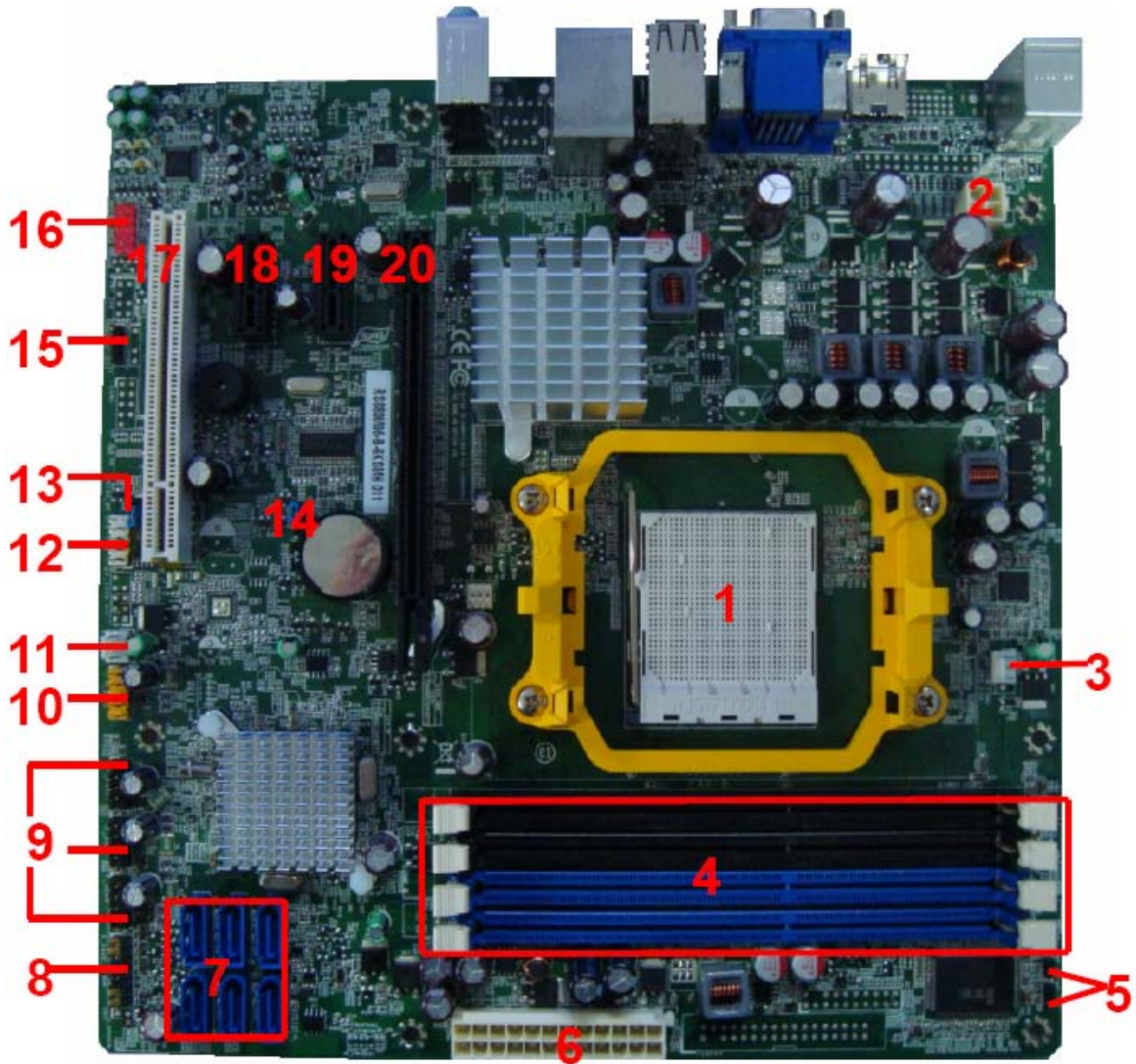
Checkpoint	Description
E0	Initialize the floppy controller in the super I/O. Some interrupt vectors are initialized. DMA controller is initialized. 8259 interrupt controller is initialized. L1 cache is enabled.
E9	Set up floppy controller and data. Attempt to read from floppy.
EA	Enable ATAPI hardware. Attempt to read from ARMD and ATAPI CDROM.
EB	Disable ATAPI hardware. Jump back to checkpoint E9.
EF	Read error occurred on media. Jump back to checkpoint EB.
F0	Search for pre-defined recovery file name in root directory.
F1	Recovery file not found.
F2	Start reading FAT table and analyze FAT to find the clusters occupied by the recovery file.
F3	Start reading the recovery file cluster by cluster.
F5	Disable L1 cache.
FA	Check the validity of the recovery file configuration to the current configuration of the flash part.
FB	Make flash write enabled through chipset and OEM specific method. Detect proper flash part. Verify that the found flash part size equals the recovery file size.
F4	The recovery file size does not equal the found flash part size.
FC	Erase the flash part
FD	Program the flash part.
FF	The flash has been updated successfully. Make flash write disabled. Disable ATAPI hardware. Restore CPUID value back into register. Give control to F000 ROM at F000:FFF0h.

BIOS Recovery

1. Copy the target BIOS rom file to a USB disk. Rename the target BIOS to "amiboot.rom". Plug the USB disk to computer that you want to recovery the system BIOS.
2. Power on the system, BIOS recovery will be done. Wait for about 3 minutes the system will reboot automatically after flash update completed successfully.
3. Press "Del" Key to enter BIOS Setup.
4. Choose " Load Default Settings " and press " Enter " key.
4-1.Choose " OK " and press "Enter " key.
5. Choose "Save & Exit Setup " and press "Enter" key.
5-1.Choose " OK " and press "Enter " key.
6. AMIBIOS Recovery is finished.

Jumper and Connector Information

M/B Placement



No	Label	Description	No	Label	Description
1	CPU Socket	AM3 938 socket for CPU	2	PWR2	CPU Power connector
3	CPU_FAN	CPU fan power header	4	DIMM	CONN,DIMM,DDRIII, 1.5V,Blu,1mm,G/F,G,DIP-240
5	MB_ID1~2	GPIO connector	6	PWR1	M/B main power connector
7	SATA1~6	SATA data transfe connector	8	F_PANEL	Front panel switch/ LED
9	F_USB2~4	Card reader USB headers	10	F_USB1	Front panel USB headers
11	SYS_FAN	SYS fan header	12	SPI	SPI header
?13	HBIOS_WP	BIOS write protect header	14	CLR_CMOS	Clear CMOS jumpers
15	SPDIF_OUT	SPDIF out header	16	F_AUDIO	Front panel audio header
17	PCI1	PCI socket	18	PCIE_1X1	PCIE_1x1 socket
19	PCIE_1X	PCIE_1x socket	20	PCI-E1_16X	PCIE_x16socket

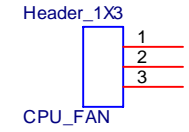
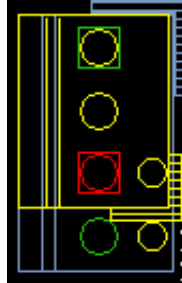
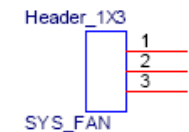
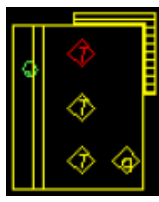
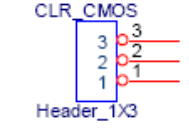

Jumper Setting

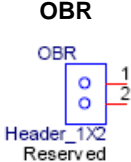
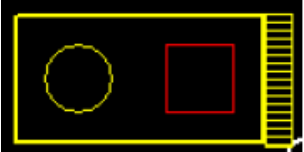
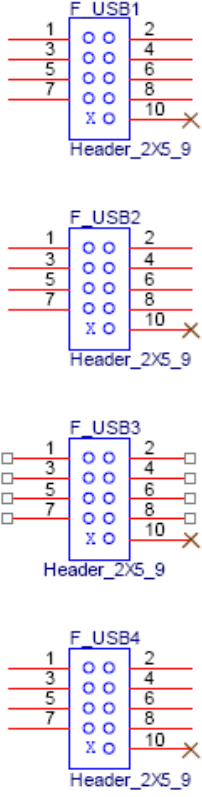
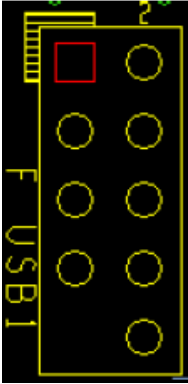
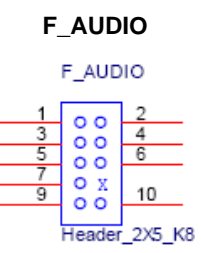
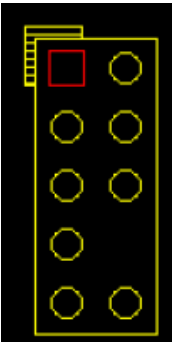
The section explains how to set jumper for correct configuration of the mainboard.

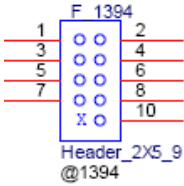
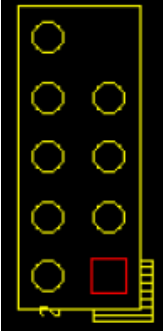
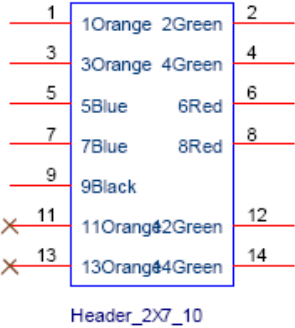
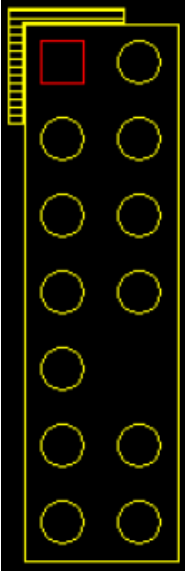
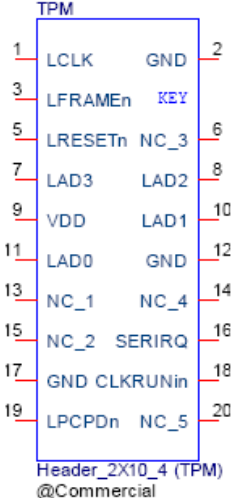
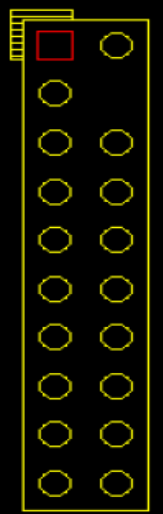
Setting Jumper

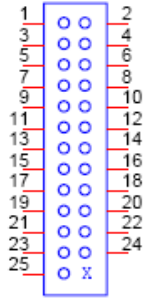
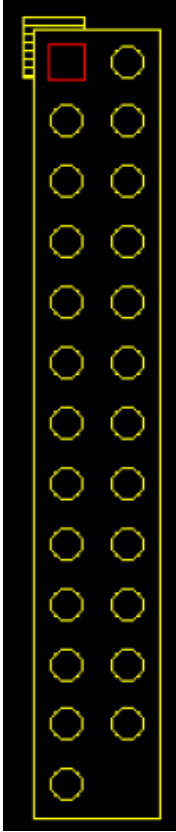
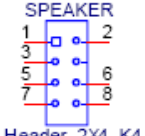
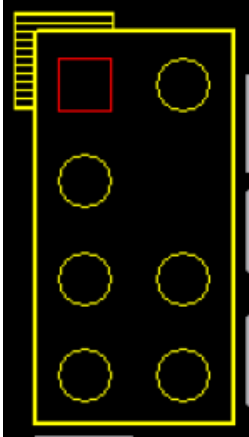
Use the motherboard jumpers to set system configuration options. Jumpers with more Than one pin are numbered. When setting the jumpers, ensure that the jumper caps are Placed on the correct pins.

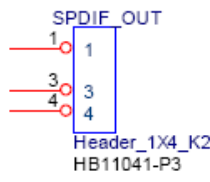

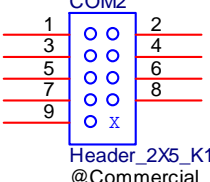
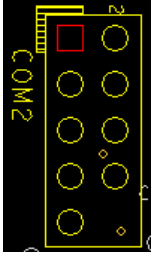
Internal header pin definition

Jumper/Header Name	Function	Definition
<p>CPU_FAN (3 PIN)</p> 	<p>CPU FAN HEADER</p> 	<p>1: SENSE 2: POWER 3: GND</p>
<p>SYS_FAN (3 PIN)</p> 	<p>SYS FAN HEADER</p>  <p>Yellow is symbol, Red is Pin 1 of symbol.</p>	<p>1: SENSE 2: POWER 3: GND</p>
<p>CLR_CMOS (3 PIN)</p> 	<p>CLEAR CMOS HEADER</p>  <p>Yellow is symbol, Red is Pin 1 of symbol.</p>	<p>1-2: CLEAR_CMOS (1: Ground, 2: RTC_RSTJ)</p> <p>2-3: NORMAL (3: VCC_RTC)</p>

Jumper/Header Name	Function	Definition
<p>OBR</p> 	<p>System Recover HEADER</p>  <p>Yellow is symbol, Red is Pin 1 of symbol.</p>	<p>1:SYS_RECOVER 2: GND</p>
<p>F_USB1, F_USB2, F_USB3, F_USB4</p> 	<p>FRONT USB HEADER (2X5)</p>  <p>Yellow is symbol, Red is Pin 1 of symbol.</p>	<p>1. VCC5 2. VCC5 3. D1- 4. D0- 5. D1+ 6. D0+ 7. GND 8. GND 9. KEY 10. GND</p>
<p>F_AUDIO</p> 	<p>FRONT PANEL AUDIO HEADER (2X5)</p>  <p>Yellow is symbol, Red is Pin 1 of symbol.</p>	<p>1: A_MIC2_L 2: GND_AUDIO 3: A_MIC2_R 4: FP_AUD_DETECT 5: A_LINE2_R 6: A_MIC2_JD 7: GND_AUDIO 8: KEY 9: A_LINE2_L 10: A_LINE2_JD</p>

Jumper/Header Name	Function	Definition
<p>F_1394</p>  <p>Header_2X5_9 @1394</p>	<p>FRONT 1394 HEADER</p>  <p>Yellow is symbol, Red is Pin 1 of symbol.</p>	<ol style="list-style-type: none"> 1. 1394_TPA0P_C 2. 1394_TPA0N_C 3. GND 4. GND 5. 1394_TPB0P_C 6. 1394_TPB0N_C 7. 1394_POW_CON_A 8. 1394_POW_CON_A 9. KEY 10. GND
<p>F_PANEL</p>  <p>Header_2X7_10</p>	<p>Front panel header</p>  <p>Yellow is symbol, Red is Pin 1 of symbol.</p>	<ol style="list-style-type: none"> 1: HDD+ (PU 5V_S0) 2: PWRLED_PN2(PU 5V_S5) 3: HDD_LED 4: PWRLED_PN4(PU 5V_S5) 5: GND 6: PANSWHJ_C 7: SYS_RSTJ 8: GND 9: FP_9(PU 5V_S0) 10: KEY 11: NC 12: FP_LANLED 13: NC 14: LAN_LED
<p>TPM</p>  <p>Header_2X10_4 (TPM) @Commercial</p>	<p>TPM Header</p> 	<ol style="list-style-type: none"> 1: LCLK 2: GND 3: LFRAMEn 4: KEY 5: LRESETn 6: NC 7: LAD3 8: LAD2 9: VDD(3.3V) 10: LAD1 11: LAD0 12: GND 13: NC 14: NC 15: NC 16: SERIRQ 17: GND 18: CLKRUNin 19: LPCPDn 20: NC

Jumper/Header Name	Function	Definition
<p style="text-align: center;">LPT</p>  <p style="text-align: center;">Header_2X13_K26 @Commercial</p>	<p>Printer Header</p>  <p>Yellow is symbol, Red is Pin 1 of symbol.</p>	<ul style="list-style-type: none"> 1: STRBJ 2: AFDJ 3: PRP_D0 4: PRERRJ 5: PRP_D1 6: INITJ 7: PRP_D2 8: SLINJ 9: PRP_D3 10: GND 11: PRP_D4 12: GND 13: PRP_D5 14: GND 15: PRP_D6 16: GND 17: PRP_D7 18: GND 19: PACKJ 20: GND 21: PBUSY 22: GND 23: PE 24: GND 25: PSLCT 26: NC
<p style="text-align: center;">SPEAKER</p>  <p style="text-align: center;">Header_2X4_K4 @Commercial</p>	<p>Audio internal speaker header</p>  <p>Yellow is symbol, Red is Pin 1 of symbol.</p>	<ul style="list-style-type: none"> 1: MONO_L 2: GND 3: MONO_R 4: KEY 5: GND 6: GND 7: VCC3 8: VCC5

Jumper/Header Name	Function	Definition
<p>SPDIF_OUT, SPDIF_OUT1</p>  <p>SPDIF_OUT 1 3 4 Header_1X4_K2 HB11041-P3</p>	 <p>Yellow is symbol, Red is Pin 1 of symbol.</p>	<ol style="list-style-type: none"> 1: VCC (5V_SYS) 2: KEY 3: A_SPDIF_OUT1 4: GND
<p>COM2</p>  <p>COM2 1 2 3 4 5 6 7 8 9 X Header_2X5_K10 @Commercial</p>	 <p>Yellow is symbol, Red is Pin 1 of symbol.</p>	<ol style="list-style-type: none"> 1. JDCD2J 2. JSIN2 3. JSOUT2 4. JDTR2J 5. GND 6. JDSR2J 7. JR2S2J 8. JCTS2J 9. JRI2J 10. KEY

USB CONNECTORS (Stacked)(Black)

USB_X4

Pin	Signal Name
"11,21,31,41"	VCC_USB1
12	USBP3N_R
13	USBP3P_R
14	Ground
22	USBP2N_R
23	USBP2P_R
24	Ground
32	USBP5N_R
33	USBP5P_R
34	Ground
42	USBP4N_R
43	USBP4P_R
44	Ground
"45,46,47,48, 49,50"	Ground

11.2.2 LAN-USB_X2

Pin	Signal Name
"1, 5"	VCC_USB0 (5V)
2	USBP7N_R
3	USBP6N_R
"4, 8"	GND
6	USBP6N_R
7	USBP6P_R
"23,24,25,26, 27,28,29,30"	Ground
9	AVDD18
10	MDI0+
11	MDI0-
12	MDI1+
13	MDI1-
14	MDI2+
15	MDI2-
16	MDI3+
17	MDI3-
18	GND
19	ACT_LED
20	LAN_LINK_LED
21	100_LED
22	1G_LED

NOTE: Pins 9-18 for RJ-45 LAN Jack pin definition, 19-22 for LAN LED definition

Audio Back Panel Connectors

AUDIO1A (MIC)

Pin	Signal Name
1	GND_AUDIO
2	A_MIC1_L
3	A_MIC1_JD
4	GND_AUDIO
5	A_MIC1_R

AUDIO1B (Line in)

Pin	Signal Name
31	GND_AUDIO
32	A_LOUT_L
33	A_LOUT_JD
34	GND_AUDIO
35	A_LOUT_R

AUDIO1C (Line out)

Pin	Signal Name
21	GND_AUDIO
22	A_LINE1_L
23	A_LINE1_JD
24	GND_AUDIO
25	A_LINE1_R

IDE / SATA

40-pin (2x20) IDE Headers

Pin	Signal Name	Pin	Signal Name
1	IDERST	2	Ground
3	PIDE_D7	4	PIDE_D8
5	PIDE_D 6	6	PIDE_D 9
7	PIDE_D 5	8	PIDE_D 10
9	PIDE_D 4	10	PIDE_D 11
11	PIDE_D 3	12	PIDE_D 12
13	PIDE_D 2	14	PIDE_D 13
15	PIDE_D 1	16	PIDE_D 14
17	PIDE_D 0	18	PIDE_D 15
19	Ground	20	Key
21	PIDE_DREQ	22	Ground
23	PIDE_IOWJ	24	Ground
25	PIDE_IORJ	26	Ground
27	PIDE_RDY	28	Ground
29	PIDE_PACKJ	30	Ground
31	PIDE_IRQ	32	N/C

Pin	Signal Name	Pin	Signal Name
33	PIDE_A1	34	PD_DMA66
35	PIDE_A0	36	PIDE_A2
37	PIDE_CS1J	38	PIDE_CS3J
39	PATA_LEDJ	40	Ground

1x7-pin SATA Headers

Pin	Signal Name
1	GND
2	SATA_TX0+_
3	SATA_TX0-_C
4	GND
5	SATA_RX0-_C
6	SATA_RX0+_C
7	GND
8	KEY
9	KEY

VGA

Pin	Signal Name
1	R
2	G
3	B
4	ID0
5	GND
6	GND
7	GND
8	GND
9	NC (5V_VGA)
10	GND
11	ID1
12	SDA
13	HSYNC
14	VSYNC
15	SCL

HDMI

Pin	Signal Name
1	HDMI_TXDP2_C
2	GND

Pin	Signal Name
3	HDMI_TXDN2_C
4	HDMI_TXDP1_C
5	GND
6	HDMI_TXDN1_C
7	HDMI_TXDP0_C
8	GND
9	HDMI_TXDN0_C
10	HDMI_TXCP_C
11	GND
12	HDMI_TXCN_C
13	NC
14	NC
15	HDMI_DDCCLK_C
16	HDMI_DDCDATA_C
17	GND
18	5V_HDMI_C
19	HP_DET_C
20	GND
21	GND

DVI-D

Pin	Signal Name	Pin	Signal Name
1	DVI_TXDN2_C	13	NC
2	DVI_TXDP2_C	14	5V_HDMI_C
3	GND	15	GND
4	NC	16	HP_DET_C
5	NC	17	DVI_TXDN0_C
6	HDMI_DDCCLK_C	18	DVI_TXDP0_C
7	HDMI_DDCDATA_C	19	GND
8	NC	20	NC
9	DVI_TXDN1_C	21	NC
10	DVI_TXDP1_C	22	GND
11	GND	23	DVI_TXCP_C
12	NC	24	DVI_TXCN_C

PS2

Pin	Signal Name	Pin	Signal Name
1	KB_DA	10	KBVCC (5V_DUAL)
2	NC	11	MS_CK
3	GND	12	NC
4	KBVCC (5V_DUAL)	13	GND
5	KB_CK	14	GND
6	NC	15	GND

Pin	Signal Name	Pin	Signal Name
7	MS_DA	16	GND
8	NC	17	GND
9	GND		

COM

Pin	Signal Name
1	JDCD1J
2	JSIN1
3	JSOUT1
4	JDTR1J
5,10,11	GND
6	JDSR1J
7	JRTS1J
8	JCTS1J
9	JRI1J

FRU (Field Replaceable Unit) List

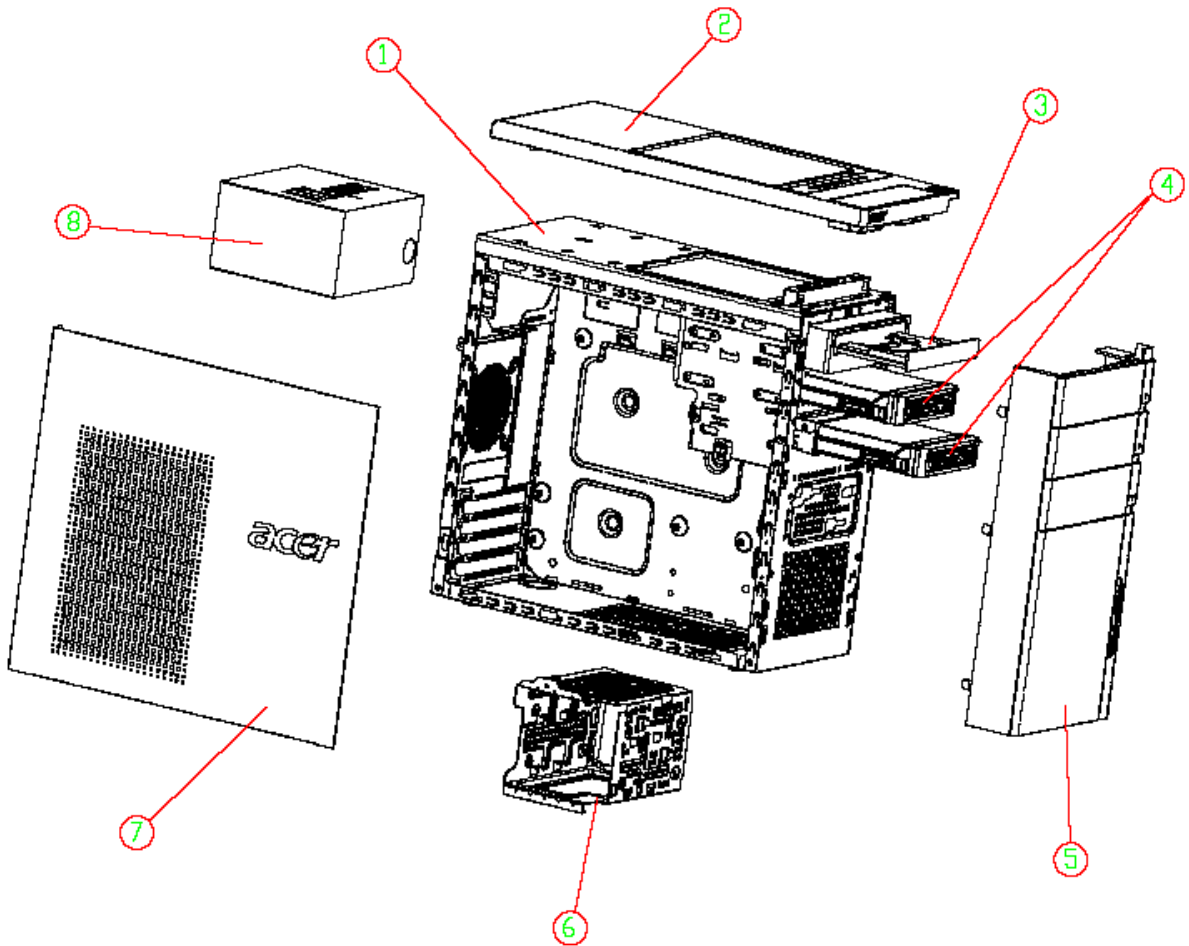
This chapter offers the FRU (Field Replaceable Unit) list in global configuration of the Aspire M5400(G) desktop computer. Refer to this chapter whenever ordering the parts to repair or for RMA (Return Merchandise Authorization).

NOTES:

- When ordering FRU parts, check the most up-to-date information available on your regional web or channel. For whatever reasons a part number is changed, it will NOT be noted on the printed Service Guide. For Acer authorized service providers, your Acer office may have a different part number code from those given in the FRU list of this printed Service Guide. You MUST use the local FRU list provided by your regional Acer office to order FRU parts for service.
- To scrap or to return the defective parts, follow the local government ordinance or regulations on how to dispose it properly, or follow the rules set by your regional Acer office on how to return it.
- This document will be updated as more information about the FRU list becomes available.

Aspire M5400(G) Exploded Diagram(AM551 ASSY)

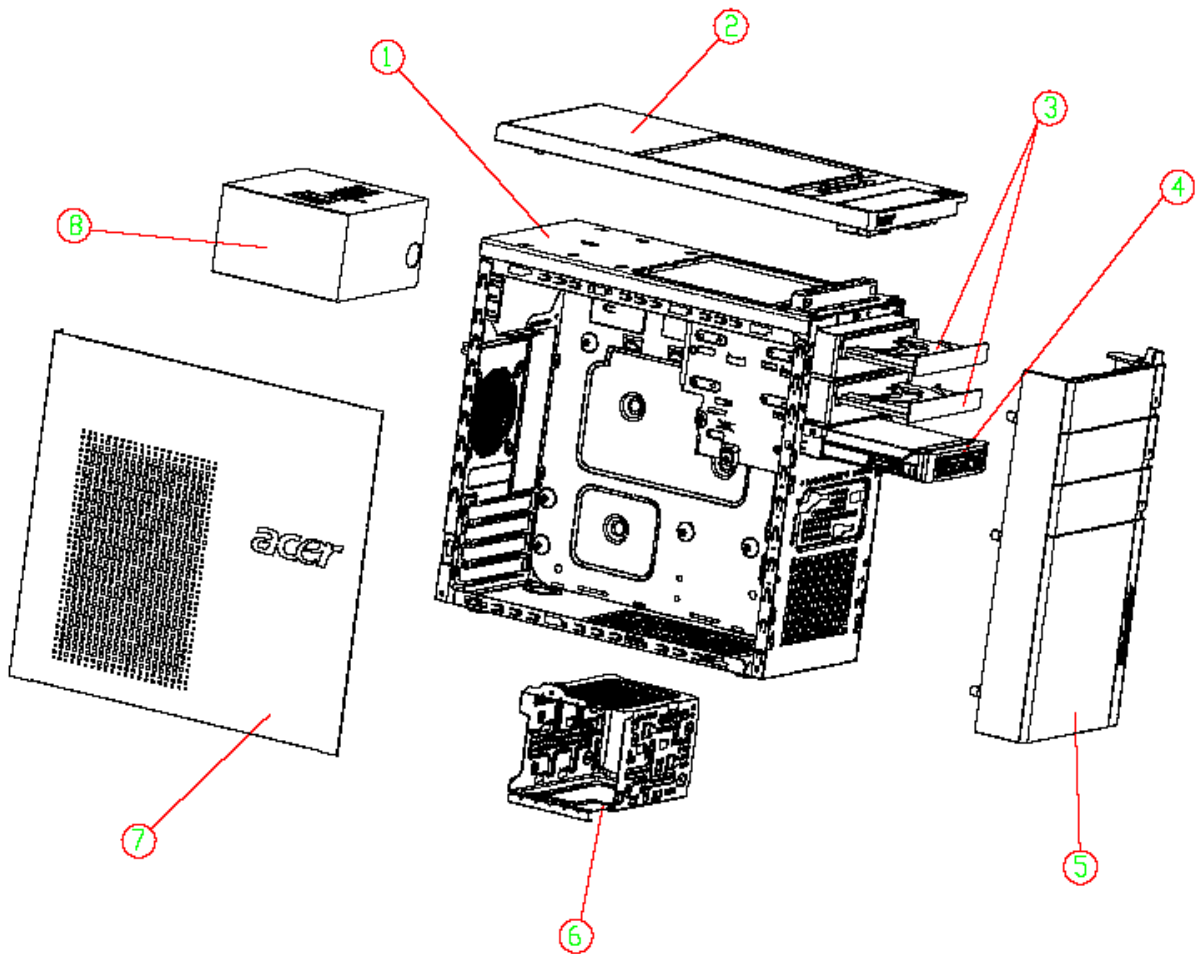
NOTE: This section will be updated when more information becomes available.



ITEM	NAME	Q'TY	ITEM	NAME	Q'TY
1	CHASSIS ASM	1	5	FRONT BEZEL	1
2	TOP-COVER	1	6	HDD COVER	1
3	ODD	1	7	SIDE COVER	1
4	REMOVABLE HDD CARRIER	2	8	POWER	1



Aspire M5400(G) Exploded Diagram(AM550 ASSY)


NOTE: This section will be updated when more information becomes available.





ITEM	NAME	Q'TY	ITEM	NAME	Q'TY
1	CHASSIS ASM	1	5	FRONT BEZEL	1
2	TOP-COVER	1	6	HDD COVER	1
3	ODD	1	7	SIDE COVER	1
4	REMOVABLE HDD CARRIER	2	8	POWER	1




Aspire M5400(G) FRU List

Category	Part Number	Acer P/N
MB Kit		
	Mainboard FRS880F consumer	MB.SE109.001
	Mainboard FRS880F consumer Support 140W CPU	MB.SE109.003
IO Shielding		
	Rear I/O Shielding for MB	TBD
Chassis		
	Micro-Tower chassis HM090H for AM550	HS.13100.117
	Micro-Tower chassis HM090K for AM551	HS.13100.124
Bezel		
	Aspire Bezel AM550	PZ.11900.175
	Aspire Bezel AM551	PZ.11900.182
CPU Cooler		
	Fan Cooler K8_M2 FXC PKP482 Fan8025	HI.12900.026
	Fan Cooler K8_M2 AVC Z7UB008 AVC fan7015	HI.12900.001
	Cooler AMD AVC Z8UH408002 (for 125W/140W)	HI.12900.021
System Fan		
	System Fan KDE 1209/GP 92*92*25 (Rohs)	HI.S150F.002
CPU		
	AMD Phenom II 965	KC.PM202.965
	AMD Phenom II 955	KC.PM202.955
	AMD Phenom II B95	KC.PH202.B95
	AMD Phenom II 740	KC.PH202.740
	AMD Phenom II 720	KC.PH202.720
	AMD Phenom II B75	KC.PH202.B75


Category	Part Number	Acer P/N
	AMD Phenom II 555	KC.PH202.555
	AMD Phenom II 550	KC.PM202.550
	AMD Phenom II B55	KC.PH202.B55
	AMD Athlon II x4 640	KC.AM202.640
	AMD Athlon II x4 635	KC.AM202.635
	AMD Athlon II x4 605e	KC.AE202.605
	AMD Athlon II x3 445	KC.AM202.445
	AMD Athlon II x3 440	KC.AM202.440
	AMD Athlon II x2 255	KC.AT202.255
	AMD Athlon II x2 250	KC.AT202.250
	AMD Athlon II x2 B24	KC.AT202.B24
	AMD Athlon II 160u	KC.AU202.160
	SEMPRON 140	KC.SMP02.140
	Memory	
	DDRIII 1333MHz 1GB	KN.1GB0H.015
	DDRIII 1333MHz 1GB	TBD
	DDRIII 1333MHz 1GB	KN.1GB0B.030
	DDRIII 1333MHz 1GB	KN.1GB0B.036
	DDRIII 1333MHz 1GB	TBD
	DDRIII 1333MHz 1GB	KN.1GB01.031
	DDRIII 1333MHz 1GB	KN.1GB07.002
	DDRIII 1333MHz 1GB	KN.1GB0C.008
	DDRIII 1333MHz 1GB	KN.1GB0F.005
	DDRIII 1333MHz 2GB	KN.2GB0H.009
	DDRIII 1333MHz 2GB	KN.2GB03.018
	DDRIII 1333MHz 2GB	KN.2GB0B.014
	DDRIII 1333MHz 2GB	KN.2GB0B.024
	DDRIII 1333MHz 2GB	TBD
	DDRIII 1333MHz 2GB	KN.2GB01.025
	DDRIII 1333MHz 2GB	KN.2GB07.002
	DDRIII 1333MHz 2GB	KN.2GB0C.005
	DDRIII 1333MHz 2GB	KN.2GB0F.004
	DDRIII 1333MHz 4GB	TBD
	DDRIII 1333MHz 4GB	TBD
	DDRIII 1333MHz 4GB	TBD
DDRIII 1333MHz 4GB	TBD	

Category	Part Number	Acer P/N
HDD		
	HDD HGST 3.5" 7200rpm 160GB HDT721016SLA380 Saturn SATA II LF F/W:31B	KH.16007.023
	HDD HGST 3.5" 7200rpm 160GB Jupiter	KH.16007.027
	HDD HGST 3.5" 7200rpm 320GB HDT721032SLA380 Saturn SATA II LF F/W:31B	KH.32007.006
	HDD HGST 3.5" 7200rpm 320GB Jupiter	KH.32007.011
	HDD HGST 3.5" 7200rpm 500GB Jupiter	KH.50007.012
	HDD HGST 3.5" 7200rpm 640GB Satum SATA II LF	KH.64007.001
	HDD HGST 3.5" 7200rpm 640GB Jupiter	KH.64007.002
	HDD HGST 3.5" 7200rpm 1000GB HDT721010SLA360 Saturn SATA II 16MB LF F/W:31B	KH.01K07.002
	HDD HGST 3.5" 7200rpm 1000GB Jupiter	KH.01K07.003
	HDD SEAGATE 3.5" 7200rpm 160G	KH.16001.041
	HDD SEAGATE 3.5" 7200rpm 320G	KH.32001.015
	HDD SEAGATE 3.5" 7200rpm 500G	KH.50001.012
	HDD SEAGATE 3.5" 7200rpm 640G	KH.64001.002
	HDD SEAGATE 3.5" 7200rpm 1000G	KH.01K01.007
	HDD SEAGATE 3.5" 7200rpm 1500G	KH.15K01.002
	HDD WD 3.5" 7200rpm 160G	KH.16008.025
	HDD WD 3.5" 7200rpm 320G	KH.32008.016
	HDD WD 3.5" 7200rpm 500G	KH.50008.014
	HDD WD 3.5" 7200rpm 640G	KH.64008.003
	HDD WD 3.5" 7200rpm 750G	KH.75008.005
	HDD WD 3.5" 7200rpm 1000G	KH.01K08.004
	HDD WD 3.5" 5400rpm 1000G	KH.01K08.005
	HDD WD 3.5" 5400rpm 1000G	KH.01K08.008
HDD WD 3.5" 5400rpm 1500G	KH.15K08.001	
HDD WD 3.5" 5400rpm 2000G	KH.02K08.001	
ODD		
	ODD HLDS DVD-ROM HH 16X DH20N LF+HF Black Bezel SATA w/Win7	KV.0160D.016
	ODD PLDS DVD-ROM HH DL 16X DH-16D5SH LF+HF Black Bezel SATA w/Win7	KV.0160F.002
	ODD TSST DVD-ROM w/Win7	KV.01601.001
	ODD HLDS Super-Multi DRIVE HH 16X GH41N Black Bezel SATA HF + Win 7	KU.0160D.049
	ODD PLDS Super-Multi DRIVE HH 16X DH-16AASH Black Bezel SATA HF+Win7	KU.0160F.009

Category	Part Number	Acer P/N
	ODD TSST Super-Multi with LF	KU.01601.007
	ODD PLDS BD ROM HH DL 4X DH-403S LF Standard Bezel SATA	KV.0040F.002
	ODD HLDS BD COMBO HH 6X CH-20N (H/F) Black Bezel SATA w/ WIN7	KO.0060D.005
	ODD PLDS BD COMBO HH 6X DH-6E2S Black Bezel SATA w/ Win 7	KO.0060F.002
	ODD HLDS BD RW HH 6X BH30N Black Bezel SATA HF +Win7	KU.0060D.004
	ODD HLDS BD RW HH 6X BH20F Black Bezel SATA (Win7 FW)	KU.0060D.005
VGA		
	288-1N143-010AC NV GT340 1GB DDR5 DVI+HDMI+VGA ATX (HYNIX)	VG.PCPT3.401
	288-1N143-110AC GEFORCE GT340 1GB GDDR5 SAMSUNG (128BITS) VGA DVI HDMI ATX BRACKET ROHS	VG.PCPT3.402
	288-30N58-010AC NV GT330 2GB DDR2 DVI+HDMI+VGA ATX (SAMSUNG)	VG.PCPT3.301
	288-30N58-110AC NV GT330 2GB DDR2 DVI+HDMI+VGA ATX (HYNIX)	VG.PCPT3.302
	288-5N118-010AC NV GT320 1GB sDDR3 DVI+HDMI+VGA ATX (SAMSUNG)	VG.PCPT3.201
	288-5N118-110AC NV GT320 1GB sDDR3 DVI+HDMI+VGA ATX (HYNIX)	VG.PCPT3.202
	288-6N118-010AC GEFORCE GT320 1GB DDR3 SAMSUNG (128BITS) VGA DVI HDMI ATX BRACKET ROHS WITH CU COOLER	VG.PCPT3.221
	288-1N141-A00AC NV 315 512MB sDDR3 DVI+HDMI ATX (SAMSUNG)	VG.PCPT3.153
	288-1N141-000AC NV 315 512MB sDDR3 DVI+HDMI+VGA ATX (SAMSUNG)	VG.PCPT3.151
	288-1N141-000AC NV 315 512MB sDDR3 DVI+HDMI+VGA ATX (HYNIX)	VG.PCPT3.152
	288-40N44-020AC GEFORCE 310 512MB DDR2 SAMSUNG (64BITS) VGA DVI HDMI ATX BRACKET ROHS	VG.PCPT3.101
	288-40N44-120AC GEFORCE 310 512MB DDR2 HYNIX (64BITS) VGA DVI HDMI ATX BRACKET ROHS	VG.PCPT3.102
	HD5750 1GB GDDR 5 (128BITS) HYNIX DVI DVI HDMI DP W/ATX BKT ROHS	VG.APC57.501
	288-1E160-000AC HD5750 1GB GDDR 5 (128BITS) SAMSUNG DVI HDMI VGA W/ATX BKT ROHS	VG.APC57.502
	288-2E142-100AC HD5570 1GB DDR3 (128BITS) Hynix DVI HDMI VGA W/ATX BKT ROHS	VG.APC55.702
	288-2E142-100AC HD5570 1GB DDR3 (128BITS) Samsung DVI HDMI VGA W/ATX BKT ROHS	VG.APC55.701

Category	Part Number	Acer P/N
	ATI HD4650 1GB DSUB/HDMI/DVI ATX	VG.APC46.501
	288-1E127-010AC HD5450 512MB SDDR 3 (64BITS) SAMSUNG DUAL DVI PASSIVE W/ATX BKT ROHS	VG.APC54.5P1
	288-1E127-110AC HD5450 512MB SDDR 3 (64BITS) HYNIX DUAL DVI PASSIVE W/ATX BKT ROHS	VG.APC54.5P2
	288-1E145-A01AC HD5450 512MB SDDR 3 (64BITS) SAMSUNG DVI HDMI W/LP BKT ROHS	VG.APC54.511
	288-1E145-001AC HD5450 512MB SDDR 3 (64BITS) SAMSUNG DVI HDMI VGA W/ATX BKT ROHS	VG.APC54.501
	288-1E145-101AC HD5450 512MB SDDR 3 (64BITS) HYNIX DVI HDMI VGA W/ATX BKT ROHS	VG.APC54.502
	AMD RADEON HD5450 512MB (64BIT) DDR3 DVI HDMI VGA ATX BRACKET ROHS	VG.ECS54.501
TV-Tuner		
	Avermedia H751-A TV Tuner Card PCIe Hybrid ATSC, S/W Encoder	TU.10500.045
	Avermedia H751-D TV Tuner Card PCIe Hybrid DVB-T, S/W Encoder	TU.10500.048
Card Reader		
	16-in-1 CR Reaaltek RTS-5181, 720mm USB cable for 2010 M5	CR.10400.116
	16-in-1 CR RI236 UT330-LK, 720mm USB cable for 2010 M5	CR.10400.115
Modem		
	D-1156I#/A7A, Modem PCI card, LSI Universal Modem (PCI) 56K V.92 - Pinball (P40)	FX.10100.004
WLAN		
	WN7600R, WLAN PCI-Ex1 card 802.11 b/g/n 1T x 2R, Ralink 1T x 2R, RT2790+RT2720	NI.10200.008
	WN7601R, Ralink RT3090, 802.11b/g/n 1x1 WLAN PCI-E x1 card	NI.10200.037

Category	Part Number	Acer P/N
Power Supply		
	Non-PFC 250W (30L) EuP	PY.25009.014
	Non-PFC 250W (30L) EuP	PY.25008.031
	PFC 250W (30L) EuP	PY.25009.015
	PFC 250W (30L) EuP	PY.25008.032
	Non-PFC 300W (30L) EuP	PY.3000B.015
	Non-PFC 300W (30L) EuP	PY.30008.028
	FR 300W (30L) 82+ EuP	PY.30009.019
	FR 300W (30L) 82+ EuP	PY.30008.029
	FR 500W (30L) 82+ EuP	PY.50008.004
	FR 500W (30L) 82+ EuP	PY.5000B.003
Mouse		
	Acer 0810 Project PS2 Optical mouse	MS.11200.013
	Logitech 0810_USB Optical mouse USB M-UAY-ACR2	MS.11200.014
	Lite-On PS2 optical mouse PS2 SM-9620	MS.11200.017
	Lite-On USB optical USB SM-9625	MS.11200.018
	Lite-on Optical mouse USB SM-9625S with new color AC-MT-018	MS.11200.048
	Chicony RF2.4G mouse RF2.4G MG-0766	MS.11200.015
	Chicony 2.4G Dangle Receiver external receiver	RV.11000.010
Speaker		
	Neosonica Speaker Acer logo /LF /0810 / 9M-20A200-000	SP.10600.011
	Neosonica Speaker USB with new color AC-MT-018	SP.10600.027
Remote control		
	Philips Remote Controller RC2604307/01BG for EMEA ;pair with RV.11000.007	RT.11300.021
	Philips Vista receiver OVU71	RV.11000.007
	Philips Remote Controller RC2604301/01B MSFT code EMEA;pair with OVU430008	RT.11300.023
	Philips Remote Controller RC2604302/01B MSFT code US;pair with OVU430008	RT.11300.022
	Philips Win7 OVU430008 with IR blaster	RV.11000.023
	SMK Transceiver Win7 RXX6000-4111E with IR Blaster	RV.11000.024
	SMK Remote Controller US RRS9003-3406E SMK Quatro Pulse;with Battery Pack	RT.11300.025

Category	Part Number	Acer P/N
	SMK Remote Controller Japan RRS9003-3407EC Quatro Pulse	RT.11300.026
Keyboard		
	Keyboard CHICONY KG-0766 RF2.4 Standard 104KS Black US w/o Aspire logo	KB.RF403.061
	Keyboard CHICONY KG-0766 RF2.4 Standard 104KS Black Traditional Chinese w/o Aspire logo	KB.RF403.062
	Keyboard CHICONY KG-0766 RF2.4 Standard 104KS Black Simplified Chinese w/o Aspire logo	KB.RF403.063
	Keyboard CHICONY KG-0766 RF2.4 Standard 104KS Black US International w/o Aspire logo	KB.RF403.064
	Keyboard CHICONY KG-0766 RF2.4 Standard 104KS Black Arabic/English w/o Aspire logo	KB.RF403.065
	Keyboard CHICONY KG-0766 RF2.4 Standard 104KS Black Thailand w/o Aspire logo	KB.RF403.066
	Keyboard CHICONY KG-0766 RF2.4 Standard 105KS Black Spanish w/o Aspire logo	KB.RF403.067
	Keyboard CHICONY KG-0766 RF2.4 Standard 105KS Black Portuguese w/o Aspire logo	KB.RF403.068
	Keyboard CHICONY KG-0766 RF2.4 Standard 105KS Black Canadian French w/o Aspire logo	KB.RF403.069
	Keyboard CHICONY KG-0766 RF2.4 Standard 107KS Black Brazilian Portuguese w/o Aspire logo	KB.RF403.070
	Keyboard CHICONY KG-0766 RF2.4 Standard 105KS Black German w/o Aspire logo	KB.RF403.072
	Keyboard CHICONY KG-0766 RF2.4 Standard 105KS Black Italian w/o Aspire logo	KB.RF403.073
	Keyboard CHICONY KG-0766 RF2.4 Standard 105KS Black French w/o Aspire logo	KB.RF403.074
	Keyboard CHICONY KG-0766 RF2.4 Standard 105KS Black Swedish w/o Aspire logo	KB.RF403.075
	Keyboard CHICONY KG-0766 RF2.4 Standard 105KS Black UK w/o Aspire logo	KB.RF403.076
	Keyboard CHICONY KG-0766 RF2.4 Standard 105KS Black Dutch w/o Aspire logo	KB.RF403.077
	Keyboard CHICONY KG-0766 RF2.4 Standard 105KS Black Swiss/G w/o Aspire logo	KB.RF403.078
	Keyboard CHICONY KG-0766 RF2.4 Standard 105KS Black Belgium w/o Aspire logo	KB.RF403.079
	Keyboard CHICONY KG-0766 RF2.4 Standard 105KS Black Icelandic w/o Aspire logo	KB.RF403.080
	Keyboard CHICONY KG-0766 RF2.4 Standard 105KS Black Norwegian w/o Aspire logo	KB.RF403.081
Keyboard CHICONY KG-0766 RF2.4 Standard 104KS Black Hebrew w/o Aspire logo	KB.RF403.082	

Category	Part Number	Acer P/N
	Keyboard CHICONY KG-0766 RF2.4 Standard 105KS Black Polish w/o Aspire logo	KB.RF403.083
	Keyboard CHICONY KG-0766 RF2.4 Standard 105KS Black Slovenian w/o Aspire logo	KB.RF403.084
	Keyboard CHICONY KG-0766 RF2.4 Standard 105KS Black Slovak w/o Aspire logo	KB.RF403.085
	Keyboard CHICONY KG-0766 RF2.4 Standard 104KS Black Russian w/o Aspire logo	KB.RF403.086
	Keyboard CHICONY KG-0766 RF2.4 Standard 105KS Black Hungarian w/o Aspire logo	KB.RF403.087
	Keyboard CHICONY KG-0766 RF2.4 Standard 104KS Black Greek w/o Aspire logo	KB.RF403.088
	Keyboard CHICONY KG-0766 RF2.4 Standard 105KS Black Danish w/o Aspire logo	KB.RF403.089
	Keyboard CHICONY KG-0766 RF2.4 Standard 104KS Black Czech w/o Aspire logo	KB.RF403.090
	Keyboard CHICONY KG-0766 RF2.4 Standard 105KS Black Romanian w/o Aspire logo	KB.RF403.091
	Keyboard CHICONY KG-0766 RF2.4 Standard 105KS Black Turkish w/o Aspire logo	KB.RF403.092
	Keyboard CHICONY KG-0766 RF2.4 Standard 105KS Black Spanish Latin w/o Aspire logo	KB.RF403.093
	Keyboard CHICONY KG-0766 RF2.4 Standard 105KS Black Turkish-Q w/o Aspire logo	KB.RF403.094
	Keyboard CHICONY KG-0766 RF2.4 Standard 105KS Black Nordic w/o Aspire logo	KB.RF403.095
	Keyboard CHICONY KG-0766 RF2.4 Standard 105KS Black Czech/Slovak	KB.RF403.285
	Keyboard CHICONY KG-0766 RF2.4 Standard 105KS Black English/Canadian French w/o Aspire logo	KB.RF403.288
	Keyboard CHICONY KG-0766 RF2.4 Standard 105KS Black Arabic/French w/o Aspire logo	KB.RF403.521
	Keyboard CHICONY KG-0766 RF2.4 Standard 105KS Black Kazakh w/o Aspire logo	KB.RF403.522
	Keyboard CHICONY KG-0766 RF2.4 Standard 104KS Black Turkmen w/o Aspire logo	KB.RF403.523
	Keyboard CHICONY KG-0766 RF2.4 Standard 109KS Japanese with J1 layout	KB.RF403.283
	Keyboard CHICONY KB-0759 PS/2 Standard 104KS Black US w/o eKey	KB.PS203.284
	Keyboard CHICONY KB-0759 PS/2 Standard 104KS Black Traditional Chinese w/o eKey	KB.PS203.285
	Keyboard CHICONY KB-0759 PS/2 Standard 104KS Black Simplified Chinese w/o eKey	KB.PS203.286

Category	Part Number	Acer P/N
	Keyboard CHICONY KB-0759 PS/2 Standard 104KS Black US International w/o eKey	KB.PS203.287
	Keyboard CHICONY KB-0759 PS/2 Standard 104KS Black Arabic/English w/o eKey	KB.PS203.288
	Keyboard CHICONY KB-0759 PS/2 Standard 104KS Black Thailand w/o eKey	KB.PS203.289
	Keyboard CHICONY KB-0759 PS/2 Standard 105KS Black Spanish w/o eKey	KB.PS203.290
	Keyboard CHICONY KB-0759 PS/2 Standard 105KS Black Portuguese w/o eKey	KB.PS203.291
	Keyboard CHICONY KB-0759 PS/2 Standard 105KS Black Canadian French w/o eKey	KB.PS203.292
	Keyboard CHICONY KB-0759 PS/2 Standard 107KS Black Brazilian Portuguese w/o eKey	KB.PS203.293
	Keyboard CHICONY KB-0759 PS/2 Standard 105KS Black German w/o eKey	KB.PS203.295
	Keyboard CHICONY KB-0759 PS/2 Standard 105KS Black Italian w/o eKey	KB.PS203.296
	Keyboard CHICONY KB-0759 PS/2 Standard 105KS Black French w/o eKey	KB.PS203.297
	Keyboard CHICONY KB-0759 PS/2 Standard 105KS Black Swedish w/o eKey	KB.PS203.298
	Keyboard CHICONY KB-0759 PS/2 Standard 105KS Black UK w/o eKey	KB.PS203.299
	Keyboard CHICONY KB-0759 PS/2 Standard 105KS Black Dutch w/o eKey	KB.PS203.300
	Keyboard CHICONY KB-0759 PS/2 Standard 105KS Black Swiss/G w/o eKey	KB.PS203.301
	Keyboard CHICONY KB-0759 PS/2 Standard 105KS Black Belgium w/o eKey	KB.PS203.302
	Keyboard CHICONY KB-0759 PS/2 Standard 105KS Black Icelandic w/o eKey	KB.PS203.303
	Keyboard CHICONY KB-0759 PS/2 Standard 105KS Black Norwegian w/o eKey	KB.PS203.304
	Keyboard CHICONY KB-0759 PS/2 Standard 104KS Black Hebrew w/o eKey	KB.PS203.305
	Keyboard CHICONY KB-0759 PS/2 Standard 105KS Black Polish w/o eKey	KB.PS203.306
	Keyboard CHICONY KB-0759 PS/2 Standard 105KS Black Slovenian w/o eKey	KB.PS203.307
	Keyboard CHICONY KB-0759 PS/2 Standard 105KS Black Slovak w/o eKey	KB.PS203.308
	Keyboard CHICONY KB-0759 PS/2 Standard 104KS Black Russian w/o eKey	KB.PS203.309
	Keyboard CHICONY KB-0759 PS/2 Standard 105KS Black Hungarian w/o eKey	KB.PS203.310

Category	Part Number	Acer P/N
	Keyboard CHICONY KB-0759 PS/2 Standard 104KS Black Greek w/o eKey	KB.PS203.311
	Keyboard CHICONY KB-0759 PS/2 Standard 105KS Black Danish w/o eKey	KB.PS203.312
	Keyboard CHICONY KB-0759 PS/2 Standard 104KS Black Czech w/o eKey	KB.PS203.313
	Keyboard CHICONY KB-0759 PS/2 Standard 105KS Black Romanian w/o eKey	KB.PS203.314
	Keyboard CHICONY KB-0759 PS/2 Standard 105KS Black Turkish w/o eKey	KB.PS203.315
	Keyboard CHICONY KB-0759 PS/2 Standard 105KS Black Spanish Latin w/o eKey	KB.PS203.316
	Keyboard CHICONY KB-0759 PS/2 Standard 105KS Black Turkish-Q w/o eKey	KB.PS203.317
	Keyboard CHICONY KB-0759 PS/2 Standard 105KS Black Arabic/French w/o eKey	KB.PS203.318
	Keyboard CHICONY KB-0759 PS/2 Standard 104KS Black Kazakh w/o eKey	KB.PS203.319
	Keyboard CHICONY KB-0759 PS/2 Standard 104KS Black Turkmen w/o eKey	KB.PS203.320
	Keyboard CHICONY KB-0759 PS/2 Standard 105KS Black Nordic w/o eKey	KB.PS203.321
	Keyboard CHICONY KB-0759 PS/2 Standard 104KS Black Simplified Chinese w/o eKey , w/i farmer PC label	KB.PS203.322
	Keyboard CHICONY KB-0759 PS/2 Standard 104KS Black US w/o eKey , w/i farmer PC label	KB.PS203.323
	Keyboard CHICONY KB-0759 PS/2 Standard 105KS Black English/Canadian French	KB.PS203.328
	Keyboard CHICONY KB-0759 PS/2 Standard 105KS Black Czech/Slovak	KB.PS203.331
	Keyboard CHICONY KB-0759 PS/2 Standard 109KS Black Japanese with J1 layout	KB.PS203.330
	Keyboard LITE-ON SK-9620 PS/2 Standard 104KS Black US w/o eKey	KB.PS20B.069
	Keyboard LITE-ON SK-9620 PS/2 Standard 104KS Black Traditional Chinese w/o eKey	KB.PS20B.070
	Keyboard LITE-ON SK-9620 PS/2 Standard 104KS Black Simplified Chinese w/o eKey	KB.PS20B.071
	Keyboard LITE-ON SK-9620 PS/2 Standard 104KS Black US International w/o eKey	KB.PS20B.072
	Keyboard LITE-ON SK-9620 PS/2 Standard 104KS Black Arabic/English w/o eKey	KB.PS20B.073
	Keyboard LITE-ON SK-9620 PS/2 Standard 104KS Black Thailand w/o eKey	KB.PS20B.074
	Keyboard LITE-ON SK-9620 PS/2 Standard 105KS Black Spanish w/o eKey	KB.PS20B.075

Category	Part Number	Acer P/N
	Keyboard LITE-ON SK-9620 PS/2 Standard 105KS Black Portuguese w/o eKey	KB.PS20B.076
	Keyboard LITE-ON SK-9620 PS/2 Standard 105KS Black Canadian French w/o eKey	KB.PS20B.077
	Keyboard LITE-ON SK-9620 PS/2 Standard 107KS Black Brazilian Portuguese w/o eKey	KB.PS20B.078
	Keyboard LITE-ON SK-9620 PS/2 Standard 105KS Black German w/o eKey	KB.PS20B.080
	Keyboard LITE-ON SK-9620 PS/2 Standard 105KS Black Italian w/o eKey	KB.PS20B.081
	Keyboard LITE-ON SK-9620 PS/2 Standard 105KS Black French w/o eKey	KB.PS20B.082
	Keyboard LITE-ON SK-9620 PS/2 Standard 105KS Black Swedish w/o eKey	KB.PS20B.083
	Keyboard LITE-ON SK-9620 PS/2 Standard 105KS Black UK w/o eKey	KB.PS20B.084
	Keyboard LITE-ON SK-9620 PS/2 Standard 105KS Black Dutch w/o eKey	KB.PS20B.085
	Keyboard LITE-ON SK-9620 PS/2 Standard 105KS Black Swiss/G w/o eKey	KB.PS20B.086
	Keyboard LITE-ON SK-9620 PS/2 Standard 105KS Black Belgium w/o eKey	KB.PS20B.087
	Keyboard LITE-ON SK-9620 PS/2 Standard 105KS Black Icelandic w/o eKey	KB.PS20B.088
	Keyboard LITE-ON SK-9620 PS/2 Standard 105KS Black Norwegian w/o eKey	KB.PS20B.089
	Keyboard LITE-ON SK-9620 PS/2 Standard 104KS Black Hebrew w/o eKey	KB.PS20B.090
	Keyboard LITE-ON SK-9620 PS/2 Standard 105KS Black Polish w/o eKey	KB.PS20B.091
	Keyboard LITE-ON SK-9620 PS/2 Standard 105KS Black Slovenian w/o eKey	KB.PS20B.092
	Keyboard LITE-ON SK-9620 PS/2 Standard 105KS Black Slovak w/o eKey	KB.PS20B.093
	Keyboard LITE-ON SK-9620 PS/2 Standard 104KS Black Russian w/o eKey	KB.PS20B.094
	Keyboard LITE-ON SK-9620 PS/2 Standard 105KS Black Hungarian w/o eKey	KB.PS20B.095
	Keyboard LITE-ON SK-9620 PS/2 Standard 104KS Black Greek w/o eKey	KB.PS20B.096
	Keyboard LITE-ON SK-9620 PS/2 Standard 105KS Black Danish w/o eKey	KB.PS20B.097
	Keyboard LITE-ON SK-9620 PS/2 Standard 104KS Black Czech w/o eKey	KB.PS20B.098
	Keyboard LITE-ON SK-9620 PS/2 Standard 105KS Black Romanian w/o eKey	KB.PS20B.099

Category	Part Number	Acer P/N
	Keyboard LITE-ON SK-9620 PS/2 Standard 105KS Black Turkish w/o eKey	KB.PS20B.100
	Keyboard LITE-ON SK-9620 PS/2 Standard 105KS Black Spanish Latin w/o eKey	KB.PS20B.101
	Keyboard LITE-ON SK-9620 PS/2 Standard 105KS Black Turkish-Q w/o eKey	KB.PS20B.102
	Keyboard LITE-ON SK-9620 PS/2 Standard 105KS Black Arabic/French w/o eKey	KB.PS20B.103
	Keyboard LITE-ON SK-9620 PS/2 Standard 104KS Black Kazakh w/o eKey	KB.PS20B.104
	Keyboard LITE-ON SK-9620 PS/2 Standard 104KS Black Turkmen w/o eKey	KB.PS20B.105
	Keyboard LITE-ON SK-9620 PS/2 Standard 105KS Black Nordic w/o eKey	KB.PS20B.106
	Keyboard LITE-ON SK9620 PS/2 Standard 104KS Black Thailand with 2.5m cable	KB.PS20B.108
	Keyboard LITE-ON SK9620 PS/2 Standard 105KS Black English/Canadian French	KB.PS20B.109
	Keyboard LITE-ON SK-9620 PS/2 Standard 105KS Black Czech/Slovak w/o eKey	KB.PS20B.107
	Keyboard LITE-ON SK-9620 PS/2 Standard 109KS Japanese with J1 layout	KB.PS20B.110
	Keyboard CHICONY KU-0760 USB Standard 104KS Black US w/o eKey	KB.USB03.192
	Keyboard CHICONY KU-0760 USB Standard 104KS Black Traditional Chinese w/o eKey	KB.USB03.193
	Keyboard CHICONY KU-0760 USB Standard 104KS Black Simplified Chinese w/o eKey	KB.USB03.194
	Keyboard CHICONY KU-0760 USB Standard 104KS Black US International w/o eKey	KB.USB03.195
	Keyboard CHICONY KU-0760 USB Standard 104KS Black Arabic/English w/o eKey	KB.USB03.196
	Keyboard CHICONY KU-0760 USB Standard 104KS Black Thailand w/o eKey	KB.USB03.197
	Keyboard CHICONY KU-0760 USB Standard 105KS Black Spanish w/o eKey	KB.USB03.198
	Keyboard CHICONY KU-0760 USB Standard 105KS Black Portuguese w/o eKey	KB.USB03.199
	Keyboard CHICONY KU-0760 USB Standard 105KS Black Canadian French w/o eKey	KB.USB03.200
	Keyboard CHICONY KU-0760 USB Standard 107KS Black Brazilian Portuguese w/o eKey	KB.USB03.201
	Keyboard CHICONY KU-0760 USB Standard 109KS Black Japanese w/o eKey	KB.USB03.202
	Keyboard CHICONY KU-0760 USB Standard 105KS Black German w/o eKey	KB.USB03.203

Category	Part Number	Acer P/N
	Keyboard CHICONY KU-0760 USB Standard 105KS Black Italian w/o eKey	KB.USB03.204
	Keyboard CHICONY KU-0760 USB Standard 105KS Black French w/o eKey	KB.USB03.205
	Keyboard CHICONY KU-0760 USB Standard 105KS Black Swedish w/o eKey	KB.USB03.206
	Keyboard CHICONY KU-0760 USB Standard 105KS Black UK w/o eKey	KB.USB03.207
	Keyboard CHICONY KU-0760 USB Standard 105KS Black Dutch w/o eKey	KB.USB03.208
	Keyboard CHICONY KU-0760 USB Standard 105KS Black Swiss/G w/o eKey	KB.USB03.209
	Keyboard CHICONY KU-0760 USB Standard 105KS Black Belgium w/o eKey	KB.USB03.210
	Keyboard CHICONY KU-0760 USB Standard 105KS Black Icelandic w/o eKey	KB.USB03.211
	Keyboard CHICONY KU-0760 USB Standard 105KS Black Norwegian w/o eKey	KB.USB03.212
	Keyboard CHICONY KU-0760 USB Standard 104KS Black Hebrew w/o eKey	KB.USB03.213
	Keyboard CHICONY KU-0760 USB Standard 105KS Black Polish w/o eKey	KB.USB03.214
	Keyboard CHICONY KU-0760 USB Standard 105KS Black Slovenian w/o eKey	KB.USB03.215
	Keyboard CHICONY KU-0760 USB Standard 105KS Black Slovak w/o eKey	KB.USB03.216
	Keyboard CHICONY KU-0760 USB Standard 104KS Black Russian w/o eKey	KB.USB03.217
	Keyboard CHICONY KU-0760 USB Standard 105KS Black Hungarian w/o eKey	KB.USB03.218
	Keyboard CHICONY KU-0760 USB Standard 104KS Black Greek w/o eKey	KB.USB03.219
	Keyboard CHICONY KU-0760 USB Standard 105KS Black Danish w/o eKey	KB.USB03.220
	Keyboard CHICONY KU-0760 USB Standard 104KS Black Czech w/o eKey	KB.USB03.221
	Keyboard CHICONY KU-0760 USB Standard 105KS Black Romanian w/o eKey	KB.USB03.222
	Keyboard CHICONY KU-0760 USB Standard 105KS Black Turkish w/o eKey	KB.USB03.223
	Keyboard CHICONY KU-0760 USB Standard 105KS Black Spanish Latin w/o eKey	KB.USB03.224
	Keyboard CHICONY KU-0760 USB Standard 105KS Black Turkish-Q w/o eKey	KB.USB03.225
	Keyboard CHICONY KU-0760 USB Standard 105KS Black Arabic/French w/o eKey	KB.USB03.226

Category	Part Number	Acer P/N
	Keyboard CHICONY KU-0760 USB Standard 104KS Black Kazakh w/o eKey	KB.USB03.227
	Keyboard CHICONY KU-0760 USB Standard 104KS Black Turkmen w/o eKey	KB.USB03.228
	Keyboard CHICONY KU-0760 USB Standard 105KS Black Nordic w/o eKey	KB.USB03.229
	Keyboard CHICONY KU-0760 USB Standard 104KS Black Simplified Chinese w/o eKey; w/i farmer PC label	KB.USB03.230
	Keyboard CHICONY KU-0760 USB Standard 104KS Black US w/o eKey; w/i farmer PC label	KB.USB03.232
	Keyboard CHICONY KU-0760 USB Standard 105KS Black English/Canadian French	KB.USB03.246
	Keyboard CHICONY KU-0760 USB Standard 105KS Black Czech/Slovak	KB.USB03.311
	Keyboard CHICONY KU-0760 USB Standard 109KS Japanese with J1 layout	KB.USB03.309
	Keyboard LITE-ON SK-9625 USB Standard 104KS Black US w/o eKey	KB.USB0B.158
	Keyboard LITE-ON SK-9625 USB Standard 104KS Black Traditional Chinese w/o eKey	KB.USB0B.159
	Keyboard LITE-ON SK-9625 USB Standard 104KS Black Simplified Chinese w/o eKey	KB.USB0B.160
	Keyboard LITE-ON SK-9625 USB Standard 104KS Black US International w/o eKey	KB.USB0B.161
	Keyboard LITE-ON SK-9625 USB Standard 104KS Black Arabic/English w/o eKey	KB.USB0B.162
	Keyboard LITE-ON SK-9625 USB Standard 104KS Black Thailand w/o eKey	KB.USB0B.163
	Keyboard LITE-ON SK-9625 USB Standard 105KS Black Spanish w/o eKey	KB.USB0B.164
	Keyboard LITE-ON SK-9625 USB Standard 105KS Black Portuguese w/o eKey	KB.USB0B.165
	Keyboard LITE-ON SK-9625 USB Standard 105KS Black Canadian French w/o eKey	KB.USB0B.166
	Keyboard LITE-ON SK-9625 USB Standard 107KS Black Brazilian Portuguese w/o eKey	KB.USB0B.167
	Keyboard LITE-ON SK-9625 USB Standard 109KS Black Japanese w/o eKey	KB.USB0B.168
	Keyboard LITE-ON SK-9625 USB Standard 105KS Black German w/o eKey	KB.USB0B.169
	Keyboard LITE-ON SK-9625 USB Standard 105KS Black Italian w/o eKey	KB.USB0B.170
	Keyboard LITE-ON SK-9625 USB Standard 105KS Black French w/o eKey	KB.USB0B.171

Category	Part Number	Acer P/N
	Keyboard LITE-ON SK-9625 USB Standard 105KS Black Swedish w/o eKey	KB.USB0B.172
	Keyboard LITE-ON SK-9625 USB Standard 105KS Black UK w/o eKey	KB.USB0B.173
	Keyboard LITE-ON SK-9625 USB Standard 105KS Black Dutch w/o eKey	KB.USB0B.174
	Keyboard LITE-ON SK-9625 USB Standard 105KS Black Swiss/G w/o eKey	KB.USB0B.175
	Keyboard LITE-ON SK-9625 USB Standard 105KS Black Belgium w/o eKey	KB.USB0B.176
	Keyboard LITE-ON SK-9625 USB Standard 105KS Black Icelandic w/o eKey	KB.USB0B.177
	Keyboard LITE-ON SK-9625 USB Standard 105KS Black Norwegian w/o eKey	KB.USB0B.178
	Keyboard LITE-ON SK-9625 USB Standard 104KS Black Hebrew w/o eKey	KB.USB0B.179
	Keyboard LITE-ON SK-9625 USB Standard 105KS Black Polish w/o eKey	KB.USB0B.180
	Keyboard LITE-ON SK-9625 USB Standard 105KS Black Slovenian w/o eKey	KB.USB0B.181
	Keyboard LITE-ON SK-9625 USB Standard 105KS Black Slovak w/o eKey	KB.USB0B.182
	Keyboard LITE-ON SK-9625 USB Standard 104KS Black Russian w/o eKey	KB.USB0B.183
	Keyboard LITE-ON SK-9625 USB Standard 105KS Black Hungarian w/o eKey	KB.USB0B.184
	Keyboard LITE-ON SK-9625 USB Standard 104KS Black Greek w/o eKey	KB.USB0B.185
	Keyboard LITE-ON SK-9625 USB Standard 105KS Black Danish w/o eKey	KB.USB0B.186
	Keyboard LITE-ON SK-9625 USB Standard 104KS Black Czech w/o eKey	KB.USB0B.187
	Keyboard LITE-ON SK-9625 USB Standard 105KS Black Romanian w/o eKey	KB.USB0B.188
	Keyboard LITE-ON SK-9625 USB Standard 105KS Black Turkish w/o eKey	KB.USB0B.189
	Keyboard LITE-ON SK-9625 USB Standard 105KS Black Spanish Latin w/o eKey	KB.USB0B.190
	Keyboard LITE-ON SK-9625 USB Standard 105KS Black Turkish-Q w/o eKey	KB.USB0B.191
	Keyboard LITE-ON SK-9625 USB Standard 105KS Black Arabic/French w/o eKey	KB.USB0B.192
	Keyboard LITE-ON SK-9625 USB Standard 104KS Black Kazakh w/o eKey	KB.USB0B.193
	Keyboard LITE-ON SK-9625 USB Standard 104KS Black Turkmen w/o eKey	KB.USB0B.194

Category	Part Number	Acer P/N
	Keyboard LITE-ON SK-9625 USB Standard 105KS Black Nordic w/o eKey	KB.USB0B.195
	Keyboard LITE-ON SK-9625 USB Standard 105KS Black Czech/Slovak w/o ekey	KB.USB0B.196
	Keyboard LITE-ON SK-9625 USB Standard 105KS Black English/Canadian French	KB.USB0B.198
	Keyboard LITE-ON SK-9625 USB Standard 105KS Black Macedonian	KB.USB0B.202
	Keyboard LITE-ON SK-9625 USB Standard 109KS Japanese with J1 layout	KB.USB0B.199
	Keyboard LITE-ON SK-9625S USB Standard 104KS Black US with new color AC-MT-018	KB.USB0B.082
	Keyboard LITE-ON SK-9625S USB Standard 104KS Black Simplified Chinese with new color AC-MT-018	KB.USB0B.083
	Keyboard LITE-ON SK-9625S USB Standard 104KS Black Traditional Chinese with new color AC-MT-018	KB.USB0B.084
	Keyboard LITE-ON SK-9625S USB Standard 104KS Black US International with new color AC-MT-018	KB.USB0B.085
	Keyboard LITE-ON SK-9625S USB Standard 104KS Black Arabic/English with new color AC-MT-018	KB.USB0B.086
	Keyboard LITE-ON SK-9625S USB Standard 104KS Black Thailand with new color AC-MT-018	KB.USB0B.087
	Keyboard LITE-ON SK-9625S USB Standard 105KS Black Spanish with new color AC-MT-018	KB.USB0B.088
	Keyboard LITE-ON SK-9625S USB Standard 105KS Black Portuguese with new color AC-MT-018	KB.USB0B.089
	Keyboard LITE-ON SK-9625S USB Standard 105KS Black Canadian French with new color AC-MT-018	KB.USB0B.090
	Keyboard LITE-ON SK-9625S USB Standard 107KS Black Brazilian Portuguese with new color AC-MT-018	KB.USB0B.091
	Keyboard LITE-ON SK-9625S USB Standard 105KS Black German with new color AC-MT-018	KB.USB0B.093
	Keyboard LITE-ON SK-9625S USB Standard 105KS Black Italian with new color AC-MT-018	KB.USB0B.094
	Keyboard LITE-ON SK-9625S USB Standard 105KS Black French with new color AC-MT-018	KB.USB0B.095
	Keyboard LITE-ON SK-9625S USB Standard 105KS Black Swedish with new color AC-MT-018	KB.USB0B.096
	Keyboard LITE-ON SK-9625S USB Standard 105KS Black UK with new color AC-MT-018	KB.USB0B.097
	Keyboard LITE-ON SK-9625S USB Standard 105KS Black Dutch with new color AC-MT-018	KB.USB0B.098
	Keyboard LITE-ON SK-9625S USB Standard 105KS Black Swiss/G with new color AC-MT-018	KB.USB0B.099

Category	Part Number	Acer P/N
	Keyboard LITE-ON SK-9625S USB Standard 105KS Black Belgium with new color AC-MT-018	KB.USB0B.100
	Keyboard LITE-ON SK-9625S USB Standard 105KS Black Icelandic with new color AC-MT-018	KB.USB0B.101
	Keyboard LITE-ON SK-9625S USB Standard 105KS Black Norwegian with new color AC-MT-018	KB.USB0B.102
	Keyboard LITE-ON SK-9625S USB Standard 104KS Black Hebrew with new color AC-MT-018	KB.USB0B.103
	Keyboard LITE-ON SK-9625S USB Standard 105KS Black Polish with new color AC-MT-018	KB.USB0B.104
	Keyboard LITE-ON SK-9625S USB Standard 105KS Black Slovenian with new color AC-MT-018	KB.USB0B.105
	Keyboard LITE-ON SK-9625S USB Standard 105KS Black Slovak with new color AC-MT-018	KB.USB0B.106
	Keyboard LITE-ON SK-9625S USB Standard 104KS Black Russian with new color AC-MT-018	KB.USB0B.107
	Keyboard LITE-ON SK-9625S USB Standard 105KS Black Hungarian with new color AC-MT-018	KB.USB0B.108
	Keyboard LITE-ON SK-9625S USB Standard 104KS Black Greek with new color AC-MT-018	KB.USB0B.109
	Keyboard LITE-ON SK-9625S USB Standard 105KS Black Danish with new color AC-MT-018	KB.USB0B.110
	Keyboard LITE-ON SK-9625S USB Standard 104KS Black Czech with new color AC-MT-018	KB.USB0B.111
	Keyboard LITE-ON SK-9625S USB Standard 105KS Black Romanian with new color AC-MT-018	KB.USB0B.112
	Keyboard LITE-ON SK-9625S USB Standard 105KS Black Turkish with new color AC-MT-018	KB.USB0B.113
	Keyboard LITE-ON SK-9625S USB Standard 105KS Black Spanish Latin with new color AC-MT-018	KB.USB0B.114
	Keyboard LITE-ON SK-9625S USB Standard 105KS Black Turkish-Q with new color AC-MT-018	KB.USB0B.115
	Keyboard LITE-ON SK-9625S USB Standard 105KS Black Arabic/French with new color AC-MT-018	KB.USB0B.116
	Keyboard LITE-ON SK-9625S USB Standard 104KS Black Kazakh with new color AC-MT-018	KB.USB0B.117
	Keyboard LITE-ON SK-9625S USB Standard 104KS Black Turkmen with new color AC-MT-018	KB.USB0B.118
	Keyboard LITE-ON SK-9625S USB Standard 105KS Black Nordic with new color AC-MT-018	KB.USB0B.119
	Keyboard LITE-ON SK-9625S USB Standard 105KS English/Canadian French with new color AC-MT-018	KB.USB0B.201
	Keyboard LITE-ON SK-9625S USB Standard 105KS Black Czech/Slovak with new color AC-MT-018	KB.USB0B.197
	Keyboard LITE-ON SK-9625S USB Standard 109KS Japanese with J1 layout & new color AC-MT-018	KB.USB0B.200

Category	Part Number	Acer P/N
	Keyboard CHICONY KG-0766 RF2.4 Standard 104KS Black US with new silver color	KB.RF403.135
	Keyboard CHICONY KG-0766 RF2.4 Standard 104KS Black Traditional Chinese with new silver color	KB.RF403.136
	Keyboard CHICONY KG-0766 RF2.4 Standard 104KS Black Simplified Chinese with new silver color	KB.RF403.137
	Keyboard CHICONY KG-0766 RF2.4 Standard 104KS Black US International with new silver color	KB.RF403.138
	Keyboard CHICONY KG-0766 RF2.4 Standard 104KS Black Arabic/English with new silver color	KB.RF403.139
	Keyboard CHICONY KG-0766 RF2.4 Standard 104KS Black Thailand with new silver color	KB.RF403.140
	Keyboard CHICONY KG-0766 RF2.4 Standard 105KS Black Spanish with new silver color	KB.RF403.141
	Keyboard CHICONY KG-0766 RF2.4 Standard 105KS Black Portuguese with new silver color	KB.RF403.142
	Keyboard CHICONY KG-0766 RF2.4 Standard 105KS Black Canadian French with new silver color	KB.RF403.143
	Keyboard CHICONY KG-0766 RF2.4 Standard 107KS Black Brazilian Portuguese with new silver color	KB.RF403.144
	Keyboard CHICONY KG-0766 RF2.4 Standard 105KS Black German with new silver color	KB.RF403.146
	Keyboard CHICONY KG-0766 RF2.4 Standard 105KS Black Italian with new silver color	KB.RF403.147
	Keyboard CHICONY KG-0766 RF2.4 Standard 105KS Black French with new silver color	KB.RF403.148
	Keyboard CHICONY KG-0766 RF2.4 Standard 105KS Black Swedish with new silver color	KB.RF403.149
	Keyboard CHICONY KG-0766 RF2.4 Standard 105KS Black UK with new silver color	KB.RF403.150
	Keyboard CHICONY KG-0766 RF2.4 Standard 105KS Black Dutch with new silver color	KB.RF403.151
	Keyboard CHICONY KG-0766 RF2.4 Standard 105KS Black Swiss/G with new silver color	KB.RF403.152
	Keyboard CHICONY KG-0766 RF2.4 Standard 105KS Black Belgium with new silver color	KB.RF403.153
	Keyboard CHICONY KG-0766 RF2.4 Standard 105KS Black Icelandic with new silver color	KB.RF403.154
	Keyboard CHICONY KG-0766 RF2.4 Standard 105KS Black Norwegian with new silver color	KB.RF403.155
	Keyboard CHICONY KG-0766 RF2.4 Standard 104KS Black Hebrew with new silver color	KB.RF403.156
	Keyboard CHICONY KG-0766 RF2.4 Standard 105KS Black Polish with new silver color	KB.RF403.157
	Keyboard CHICONY KG-0766 RF2.4 Standard 105KS Black Slovenian with new silver color	KB.RF403.158

Category	Part Number	Acer P/N
	Keyboard CHICONY KG-0766 RF2.4 Standard 105KS Black Slovak with new silver color	KB.RF403.159
	Keyboard CHICONY KG-0766 RF2.4 Standard 104KS Black Russian with new silver color	KB.RF403.160
	Keyboard CHICONY KG-0766 RF2.4 Standard 105KS Black Hungarian with new silver color	KB.RF403.161
	Keyboard CHICONY KG-0766 RF2.4 Standard 104KS Black Greek with new silver color	KB.RF403.162
	Keyboard CHICONY KG-0766 RF2.4 Standard 105KS Black Danish with new silver color	KB.RF403.163
	Keyboard CHICONY KG-0766 RF2.4 Standard 104KS Black Czech with new silver color	KB.RF403.164
	Keyboard CHICONY KG-0766 RF2.4 Standard 105KS Black Romanian with new silver color	KB.RF403.165
	Keyboard CHICONY KG-0766 RF2.4 Standard 105KS Black Turkish with new silver color	KB.RF403.166
	Keyboard CHICONY KG-0766 RF2.4 Standard 105KS Black Spanish Latin with new silver color	KB.RF403.167
	Keyboard CHICONY KG-0766 RF2.4 Standard 105KS Black Turkish-Q with new silver color	KB.RF403.168
	Keyboard CHICONY KG-0766 RF2.4 Standard 105KS Black Arabic/French with new silver color	KB.RF403.169
	Keyboard CHICONY KG-0766 RF2.4 Standard 104KS Black Kazakh with new silver color	KB.RF403.170
	Keyboard CHICONY KG-0766 RF2.4 Standard 104KS Black Turkmen with new silver color	KB.RF403.171
	Keyboard CHICONY KG-0766 RF2.4 Standard 105KS Black Nordic with new silver color	KB.RF403.172
	Keyboard CHICONY KG-0766 RF2.4 Standard English/Canadian French with new silver color	KB.RF403.289
	Keyboard CHICONY KG-0766 RF2.4 Standard 105KS Czech/Slovak with new silver color	KB.RF403.526
	Keyboard CHICONY KG-0766 RF2.4 Standard 109KS Japanese with J1 layout & silver color	KB.RF403.284

Free Manuals Download Website

<http://myh66.com>

<http://usermanuals.us>

<http://www.somanuals.com>

<http://www.4manuals.cc>

<http://www.manual-lib.com>

<http://www.404manual.com>

<http://www.luxmanual.com>

<http://aubethermostatmanual.com>

Golf course search by state

<http://golfingnear.com>

Email search by domain

<http://emailbydomain.com>

Auto manuals search

<http://auto.somanuals.com>

TV manuals search

<http://tv.somanuals.com>