

# Acer Altos R720 Series

## User's Guide

Copyright © 2006 Acer Incorporated  
All Rights Reserved.

Acer Altos R720 Series  
User's Guide

Changes may be made periodically to the information in this publication without obligation to notify any person of such revision or changes. Such changes will be incorporated in new editions of this manual or supplementary documents and publications. This company makes no representations or warranties, either expressed or implied, with respect to the contents hereof and specifically disclaims the implied warranties of merchantability or fitness for a particular purpose.

Record the model number, serial number, purchase date, and place of purchase information in the space provided below. The serial number and model number are recorded on the label affixed to your server. All correspondence concerning your unit should include the serial number, model number, and purchase information.

No part of this publication may be reproduced, stored in a retrieval system, or transmitted, in any form or by any means, electronic, mechanical, photocopy, recording, or otherwise, without the prior written permission of Acer Incorporated.

Acer Altos R720

Model Name : \_\_\_\_\_

Part Number: \_\_\_\_\_

Purchase Date: \_\_\_\_\_

Place of Purchase: \_\_\_\_\_

Acer and the Acer logo are registered trademarks of Acer Inc. Other company's product names or trademarks are used herein for identification purposes only and belong to their respective companies.

# Notices

## FCC notice

### Class A equipment

This device has been tested and found to comply with the limits for a Class A digital device pursuant to Part 15 of the FCC Rules. These limits are designed to provide reasonable protection against harmful interference when the equipment is operated in a commercial environment. This equipment generates, uses, and can radiate radio frequency energy, and if not installed and used in accordance with the instructions, may cause harmful interference to radio communications. Operation of this equipment in a residential area is likely to cause harmful interference, in which case the user will be required to correct the interference at personal expense.

However, there is no guarantee that interference will not occur in a particular installation. If this device does cause harmful interference to radio or television reception, which can be determined by turning the device off and on, the user is encouraged to try to correct the interference by one or more of the following measures:

- Reorient or relocate the receiving antenna
- Increase the separation between the device and receiver
- Connect the device into an outlet on a circuit different from that to which the receiver is connected
- Consult the dealer or an experienced radio/television technician for help

### Notice: Shielded cables

All connections to other computing devices must be made using shielded cables to maintain compliance with FCC regulations.

### Notice: Peripheral devices

Only peripherals (input/output devices, terminals, printers, etc.) certified to comply with the Class A limits may be attached to this equipment. Operation with noncertified peripherals is likely to result in interference to radio and TV reception.



**Caution!** Changes or modifications not expressly approved by the manufacturer could void the user's authority, which is granted by the Federal Communications Commission, to operate this server.

## Use conditions

This part complies with Part 15 of the FCC Rules. Operation is subject to the following two conditions: (1) this device may not cause harmful interference, and (2) this device must accept any interference received, including interference that may cause undesired operation.

## Notice Canadian users

This device does not exceed the Class A limits for radio noise emissions from digital apparatus set out in the interference-causing equipment standard entitled "Digital Apparatus" ICES-003 of the Canadian Department of Communications.

## Laser compliance statement

The DVD-ROM drive in this server is a laser product. The optical drive's classification label (shown below) is located on the drive.

CLASS 1 LASER PRODUCT

**CAUTION:** INVISIBLE LASER RADIATION WHEN OPEN. AVOID EXPOSURE TO BEAM.

# Important safety instructions

Read these instructions carefully. Save these instructions for future reference.

- 1 Follow all warnings and instructions marked on the product.
- 2 Unplug this product from the wall outlet before cleaning. Do not use liquid cleaners or aerosol cleaners. Use a damp cloth for cleaning.
- 3 Do not use this product near water.
- 4 Do not place this product on an unstable cart, stand, or table. The product may fall, causing serious damage to the product.
- 5 Slots and openings on the back or bottom side of the chassis are provided for ventilation; to ensure reliable operation of the product and to protect it from overheating, these openings must not be blocked or covered. The openings should never be blocked by placing the product on a bed, sofa, rug, or other similar surface. This product should never be placed near or over a radiator or heat register, or in a built-in installation unless proper ventilation is provided.
- 6 This product should be operated from the type of power indicated on the marking label. If you are not sure of the type of power available, consult your dealer or local power company.
- 7 Do not allow anything to rest on the power cord. Do not locate this product where persons will walk on the cord.
- 8 If an extension cord is used with this product, make sure that the total ampere rating of the equipment plugged into the extension cord does not exceed the extension cord ampere rating. Also, make sure that the total rating of all products plugged into the wall outlet does not exceed the fuse rating.
- 9 Never push objects of any kind into this product through the chassis slots as they may touch dangerous voltage points or short out parts that could result in a fire or electric shock. Never spill liquid of any kind on the product.
- 10 Do not attempt to service this product yourself, as opening or removing covers may expose you to dangerous voltage points or other risks. Refer all servicing to qualified service personnel.
- 11 Unplug this product from the wall outlet and refer servicing to qualified service personnel under the following conditions:
  - a When the power cord or plug is damaged or frayed
  - b If liquid has been spilled on the product
  - c If the product has been exposed to rain or water

- d If the product does not operate normally when the operating instructions are followed. Adjust only those controls that are covered by the operating instructions since improper adjustment of other controls may result in damage and will often require extensive work by a qualified technician to restore the product to normal condition.
  - e If the product has been dropped or the chassis has been damaged
  - f If the product exhibits a distinct change in performance, indicating a need for service.
- 12 Replace the battery with the same type as the product's battery we recommend. Use of another battery type may present a risk of fire or explosion. Refer battery replacement to a qualified service technician.
- 13 **Warning!** Batteries may explode if not handled properly. Do not disassemble or dispose of them in fire. Keep them away from children and dispose of used batteries promptly.

# Contents

Notices	iii
FCC notice	iii
Laser compliance statement	iv
Important safety instructions	v
1 System tour	1
Features summary	3
External and internal structure	7
Front bezel	7
Front panel	8
Rear panel	13
Internal components	16
System boards	17
Mainboard	17
Backplane and mid-plane board	19
System diagnostic LEDs	22
System jumpers	23
2 System setup	25
Setting up the system	27
Pre-installation requirements	27
Connecting peripherals	28
Turning on the system	29
Power-on problems	30
Configuring the system OS	31
Turning off the system	32
3 System upgrade	33
Installation precautions	35
ESD precautions	35
Pre-installation instructions	35
Post-installation instructions	36
Opening the server	37
Unlocking the front bezel	37
Removing and installing the front bezel	38
Removing and installing the top cover	40
Removing and installing the CPU air duct	42
Removing the CPU air dam	44
Removing and installing the air baffles	45
Removing and installing storage devices	48
Removing and installing a hard disk drive	48

Removing and installing a slim-line optical drive	51
Installing and removing a FDD	56
Installing a tape drive	60
Installing a sixth HDD	62
Removing and installing a PCI card	65
Removing and installing the PCI riser assembly	65
Removing and installing the PCI riser board	67
Removing and installing a PCI card	69
Replacing a system fan	72
Upgrading the CPU	74
CPU upgrading guidelines	74
Upgrading the system memory	77
Memory module installation guidelines	77
DDR2 module population order	78
Installing and removing a power supply	81
Removing and installing an ARMC/3 module	84
Removing and installing the SAS mid-plane board	87
Removing and installing the SAS/SATA backplane board	89
Configuring the integrated SAS hardware RAID components	91
Removing and installing the RAID activation key	91
Removing and installing the RAID cache	92
Removing and installing the RAID BBU	94
 4 BIOS setup	 97
BIOS setup	99
Entering BIOS setup	100
Using the BIOS menus	102
Main	102
Advanced	104
Security	119
Server Management	121
Boot Options	125
Boot Manager	128
Error Manager	129
Exit	130
Upgrading the BIOS	132
 5 Troubleshooting	 133
Troubleshooting	135
Resetting the system	135
Problems following initial system installation	135



First steps checklist	136
Hardware diagnostic testing	137
Verifying proper operation of key system lights	137
Specific problems and corrective actions	138
Error beep codes	146
BIOS POST error beep codes	146
ARMC/3 module error beep codes	148
Diagnostic POST code LEDs	149
Appendix A: Acer Altos R720	
rack installation guide	155
Setting up the system rack	157
System rack installation	159
Vertical mounting hole pattern	160
Installing the system into the rack	161
Appendix B: SAS hardware RAID	
configuration	169
Configuring the integrated SAS hardware RAID	171
Index	173



# 1 System tour

The Acer Altos R720 is a 2U rack optimized server that features single or dual-core Intel Xeon processors, fully buffered DIMMs, integrated SAS RAID, standard-based server management, and server-oriented embedded I/O. Remote monitoring and management functions are also included, providing a new level of user tools for server administration.

This chapter provides a brief overview of the system hardware, including illustrations with component identification.

# Features summary

Listed below are the system's key features:

## Processor

- Supports two dual-core Intel® Xeon™ processors 5000 sequence with 2 x 2 MB L2 cache and 1066 MHz or 1333 MHz front side bus speed
- Extended Memory 64-bit Technology
- Enhanced Intel SpeedStep Technology
- Execute Disable Bit Technology

## Chipset

- Intel 5000P Memory Controller Hub (north bridge)
- Intel ESB2-E (Enterprise South Bridge) I/O Controller (south bridge)

## Memory

- Quad memory channels
- Eight DDR2 FBDIMM (fully buffered DIMM) slots
- Supports 512 MB, 1 GB, and 2 GB DDR2-533/667 MHz FBDIMM
- Memory reliability, availability, serviceability, usability, and manageability (RASUM) features
  - Memory error detection and correction
  - Memory scrubbing
  - Retry on correctable errors
  - Memory built-in self test
- x4 SDDC (Single Device Data Correction) for memory error detection and correction

## Media storage

- Slim-line IDE CD-ROM drive
- Slim-line 3.5-inch floppy disk drive (optional)
- Supports one to six hot-plug SAS/SATA hard disk drives
  - Sixth drive bay can be configured to support either a:
    - Hot-plug SAS/SATA hard disk drive

- 3.5-inch half-height tape drive

### SAS controller

- LSI SAS 1068 3Gb/s SAS controller
- Supports integrated SAS RAID
- Supports RAID levels 0, 1, 5, 10, and 50
- Requires RAID activation key
- Requires DDR2-400 registered ECC DIMM (mini DIMM) for RAID cache
- Supports RAID BBU (Battery Backup Unit). Available as an upgrade option.



-----

**Note:** After installing the RAID activation key and RAID cache DIMM, the system BIOS setup allows you to enable the hardware RAID solution. For detailed installation instructions, see “Configuring the integrated SAS hardware RAID components” section on page 91.

You can also install a RAID BBU to improve fault tolerance by enhance by protecting data in the RAID cache in the event of power failure. For more information on how to install a RAID BBU, see “To install the RAID BBU” section on page 95.

### Networking

- Intel 82563EB Gigabit controller with dual ports
- Supports Intel I/O Acceleration Technology

### PCI I/O

- Low profile riser slot
  - Two x8 PCI Express slots (with x4 throughput)
- Full height riser slot
  - Option 1: One 64-bits/133 MHz/3.3 V PCI-X slot + Two x8 PCI Express slots (with x4 throughput)
  - Option 2: Three 64-bits/133 MHz/3.3 V PCI-X slots
  - Option 3: Three 64-bits/66 MHz/100 MHz/133 MHz PCI-X slots

### Graphic interface

- ATI® ES1000 video controller with 16MB DDR SDRAM

### Baseboard Management Controller

- Integrated BMC
- IPMI (Intelligent Platform Management Interface) 2.0 compliant
- Supports ARMC/3 (Acer Remote Management Card/3) (optional)

### Power supply

- Supports one to two 750-watts hot-swap (1+1) redundant power supply modules with dual AC line cord

### System fan

- Supports one to six hot-swap redundant system fans

### I/O ports

- Front
  - VGA/monitor port
  - USB 2.0 port
- Rear
  - PS/2 keyboard port
  - PS/2 mouse port
  - Serial port (RJ-45)
  - Two Gigabit (10/100/1000 Mbps) LAN ports (RJ-45)
  - Server management port (10/100 Mbps) (RJ-45)<sup>1</sup>
  - VGA/monitor port
  - Two USB 2.0 ports

<sup>1</sup> Reserved for remote management of server. This requires installation of an ARMC/3 module.

## Operating system and utilities

- Operating system options:
  - Microsoft® Windows® Server 2003, x64 edition
  - Microsoft Windows Server 2003
  - Microsoft Windows 2000 Advanced Server
  - Red Hat Enterprise Linux 4.0
  - Red Hat Enterprise Linux 4.0, EM64T
  - SUSE® Linux Enterprise Server 9.0
  - SUSE Linux Enterprise Server 9.0, EM64T
- ASM (Acer Server Manager) <sup>2</sup>
- Easy Build <sup>2</sup>

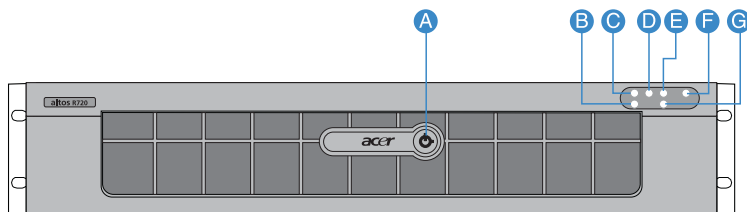
<sup>2</sup> For more information on how to install and use ASM and Easy Build utilities, refer to the manual on the EasyBUILD DVD.








# External and internal structure

## Front bezel

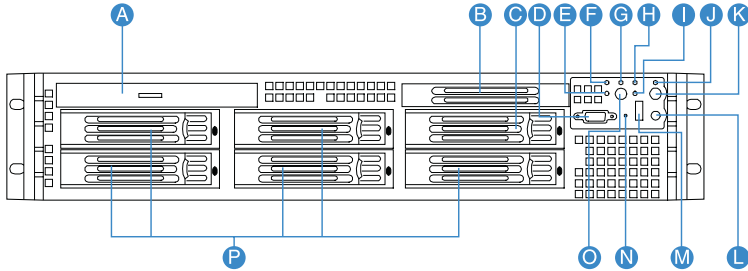
The front bezel provides an interface for system management via status LED indicators. The light pipes on the backside of the front bezel allow the system status LEDs to be monitored when the front bezel is closed. A front bezel lock is provided to prevent unauthorized access to hard drives, peripheral devices and the control panel.











Item	Icon	Component	Item	Icon	Component
A		Security keylock	E	!	Status/fault indicator
B		LAN2 status indicator	F		System ID indicator
C		LAN1 status indicator	G		HDD (hard disk drive) activity indicator
D		Power indicator			

For details on how to remove the front bezel, see “To remove the front bezel” section on page 38.

## Front panel



Item	Icon	Component	Item	Icon	Component
A		Slim-line optical drive or FDD bay	I		HDD activity indicator
B		Tape drive filler panel	J		System ID indicator
C		Tape drive or Sixth hot-plug HDD bay	K	ID	System ID button
D		VGA/monitor port	L	//	Reset button
E	 2	LAN2 status indicator	M		USB 2.0 ports
F	 1	LAN1 status indicator	N		NMI button
G		Power indicator	O		Power button
H		Status/fault indicator	P		Hot-plug HDD bay

\* The dual purpose drive bay is covered by two filler panels. To configure the drive bay to support a sixth hot-plug SAS HDD see page 62 or a tape drive go to page 60.

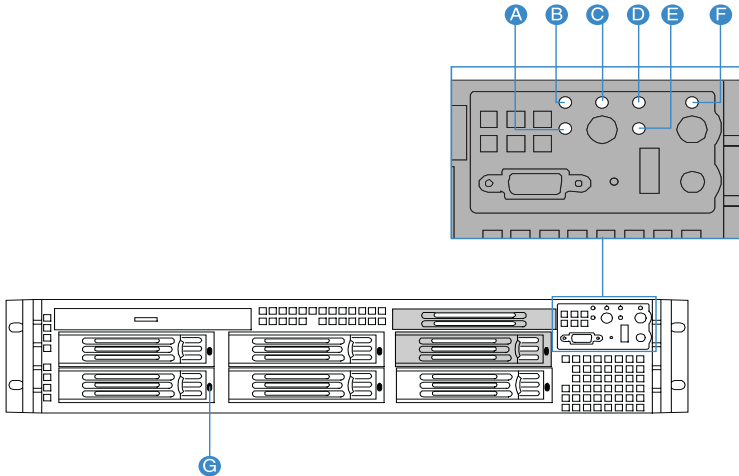
## Front panel control button functions

Below table lists the functions of the front panel control buttons.

<b>Item</b>	<b>Function</b>
NMI button	Puts the server in a halt-state for diagnostic purposes.
Reset button	Press to reset the system.
Power button	Press to turn the system power on and off.
System ID button	Press to turn the system ID LED on and off.
Hot-plug HDD carrier latch	Press to release the carrier lever.

## Front panel LED indicators

The illustration below shows the LED indicators available on the control panel and hot-plug HDD.

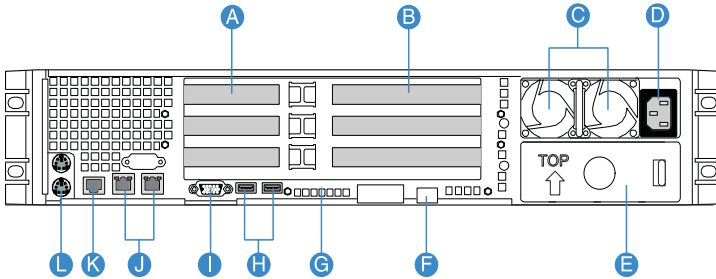


Item	LED indicator	Color	Status	Description
A	LAN2 status indicator	Green, on	Link	Link between system and network.
		Green, off	Idle	
		Green, blinking	Active	Network access
B	LAN1 status indicator	Green, on	Link	Link between system and network.
		Green, off	Idle	
		Green, blinking	Active	Network access

Item	LED indicator	Color	Status	Description
C	Power/ Sleep indicator	Green, off	Power off	System is not powered on.
		Green, on	Power on	System has power applied to it.
		Green, off	S4/S5	System is in ACPI S4 or S5 state (power off).
		Green, blinking	S1	System is in ACPI S1 state (sleep mode).
		Green, on	S0	System is in ACPI S0 state (legacy power on).
D	Status/ fault indicator	Green, on	Ready	System booted and ready.
		Green, blinking	Degraded condition	<ul style="list-style-type: none"> <li>• CPU disabled</li> <li>• System memory mapped out or disabled by BIOS.</li> <li>• Non-redundant power supply operation.</li> </ul>
		Amber, on	Critical condition	<ul style="list-style-type: none"> <li>• Critical temperature, voltage, or fan threshold crossing.</li> <li>• Critical power supply failure.</li> <li>• System unable to power up due to incorrectly installed CPU or incompatible CPU.</li> <li>• One or more of the drive status fault LEDs are asserted on the hot-swap backplane board.</li> <li>• System memory uncorrectable ECC error.</li> <li>• Fatal uncorrectable bus errors.</li> </ul>

Item	LED indicator	Color	Status	Description
D	Status/ fault indicator (cont.)	Amber, blinking	Non- critical condition	<ul style="list-style-type: none"> <li>• Non-critical temperature, voltage, or fan threshold crossing.</li> <li>• Chassis intrusion</li> <li>• Change in system memory configuration.</li> <li>• Change in CPU configuration.</li> </ul>
E	HDD activity indicator	Green, blinking		HDD is active.
		Green, off		No HDD activity.
F	System ID indicator	Blue, on		System identification is active.
		Blue, off		System identification is disabled.
G	Hot-plug HDD activity indicator	Amber, flashing		HDD is active.
		Amber + Green, alternate flashing		<ul style="list-style-type: none"> <li>• HDD is powered on and rebuilding RAID.</li> <li>• HDD is powered on and is in a fault condition.</li> </ul>
		Amber, flashing		HDD is not powered on and is in a fault condition.
		Off		<ul style="list-style-type: none"> <li>• No HDD is installed.</li> <li>• HDD is initiated but has no current activity.</li> </ul>

## Rear panel



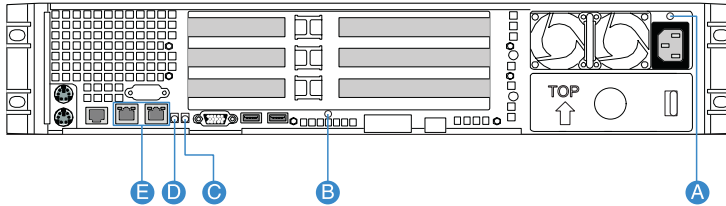
Item	Component	Item	Component
A	Low profile PCI expansion slots	G	Diagnostic POST (power-on self-test) code indicators
B	Full height PCI expansion slots	H	USB 2.0 ports
C	Hot-swap redundant power supply module <sup>1</sup>	I	VGA/monitor port
D	Hot-swap redundant power supply module AC input connector	J	Gigabit LAN ports (10/100/1000 Mbps)
E	Power supply module bay filler panel	K	DB9 serial port A
F	Server management port (10/100 Mbps) (RJ-45) cover <sup>2</sup>	L	PS2 keyboard and mouse ports

<sup>1</sup> The system power can be configured to support non-redundant (1+0) configuration.

<sup>2</sup> Reserved for remote management of server. This requires the installation of an ARM/C3 module.

## Rear panel LED indicators

The illustration below shows the LED indicators located on the rear panel.



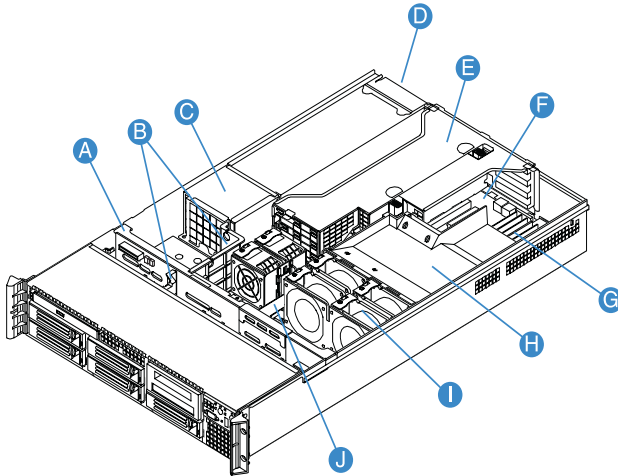
Item	LED indicator	Function/ Status	Color	Description
A	Hot-swap power supply module status indicator	No power	Off	No AC power to the power supply.
		AC OK indicator	Green, on	System has power applied to it.
			Green, blinking	AC power cord is plugged into an active AC power source.
		Fault indicator	Amber	<ul style="list-style-type: none"> <li>No AC power.</li> <li>Power supply critical event (i.e., failure, fuse blown, fan failed, etc.) causing shutdown</li> </ul>
			Amber, blinking	Power supply displays warning event (i.e., high temperature, high power, high current, slow fan, etc.)
B	Diagnostic POST code indicators*	Troubleshooting system	Green/Red/Amber, on	<p>Assists in troubleshooting a system hang during POST process.</p> <p>Identifies the last POST process to be executed.</p>



Item	LED indicator	Function/Status	Color	Description
C	System ID indicator	ID	Blue, on	System identification is active.
			Blue, off	System identification is disabled.
D	System status/fault indicator	Ready	Green, on	System booted and ready.
		Degraded	Green, blinking	CPU or DIMM disabled.
		Critical condition	Amber, on	Critical power supply, blower, voltage, or temperature failure.
		Non-critical condition	Amber, blinking	<ul style="list-style-type: none"> <li>Redundant power supply or blower failure.</li> <li>Non-critical blower, voltage, and temperature failure.</li> </ul>
E	LAN port indicators (left)	Speed	Green/Amber, Off	10 Mbps connection
			Green, On	100 Mbps connection
			Amber, On	1000 Mbps connection
	(right)	Status	Green, On	Network link is detected.
			Green, Off	No network connection.
			Green, Blinking	Transmit or receive activity.

\* For more information on how to troubleshoot during a system hang, refer to the Diagnostic POST Code table on page 149.

## Internal components

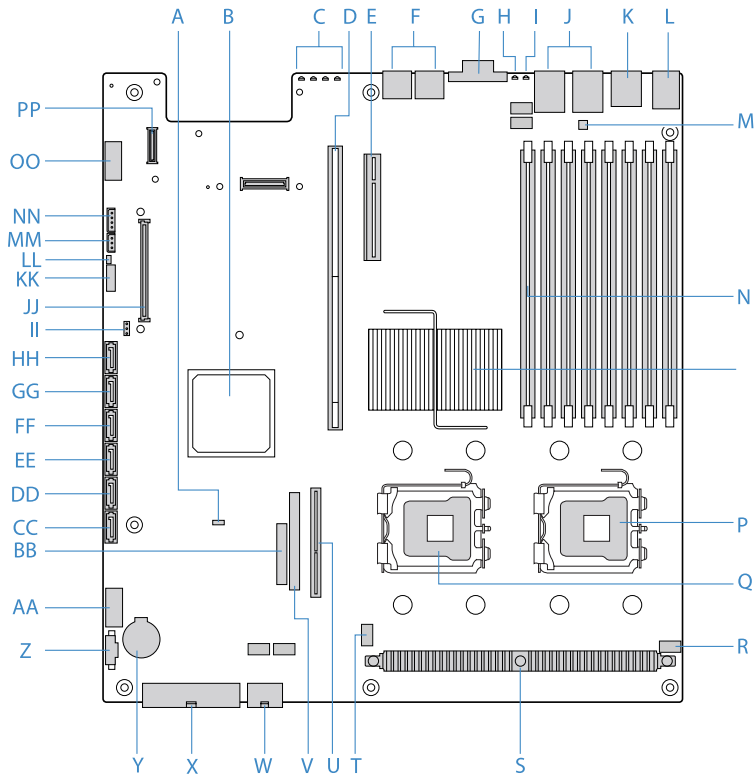


Item	Component	Item	Component
A	SAS/SATA backplane board	F	Mainboard
B	Air baffles	G	Memory modules
C	Power distribution module	H	CPU air duct
D	Power supply module	I	System fans
E	Riser card assembly	J	Bridge board

# System boards

## Mainboard

The mainboard becomes accessible once you open the system. It should look like the figure shown below.



Item	Description	Item	Description
A	Rolling BIOS jumper	AA	USB connector
B	Intel ESB2-E I/O Controller	BB	Control panel board connector

Item	Description	Item	Description
C	Diagnostic POST code indicators	CC	SATA 0 connector
D	Full height riser slot	DD	SATA 1 connector
E	Low profile riser slot	EE	SATA 2 connector
F	USB ports	FF	SATA 3 connector
G	VGA/Monitor port	GG	SATA 4 connector
H	System ID indicator	HH	SATA 5 connector
I	System status indicator	II	Integrated SATA hardware RAID activation key connector
J	Gigabit LAN1 and LAN 2 ports	JJ	ARMC/3 module connector
K	Serial B port	KK	System recovery settings jumper block
L	PS2 mouse (top) and keyboard (bottom) port	LL	Chassis intrusion connector
M	Serial B configuration jumper	MM	3-pin IPMB (Intelligent Platform Management Bus) header
N	DIMM slots	NN	4-in LCP (Link Control Protocol)/AUX (Auxiliary) IPMB header
O	Intel 5000P MCH	OO	Serial A header
P	CPU socket 1	PP	NIC module connector
Q	CPU socket 2		
R	CPU fan 1 connector		
S	CPU voltage regulator		
T	CPU fan 2 connector		

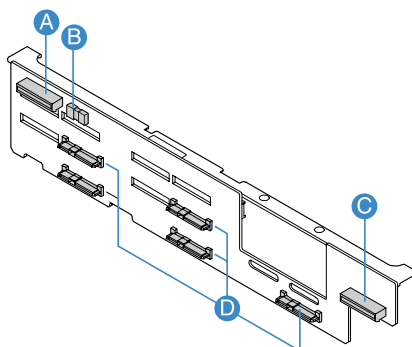
Item	Description	Item	Description
U	Bridge board connector		
V	IDE optical drive connector		
W	+12 V CPU power connector		
X	AC power connector		
Y	Battery		
Z	Power supply signal connector		

\* Reserved for remote management of server. This requires installation of an ARMC3 module.

## Backplane and mid-plane board

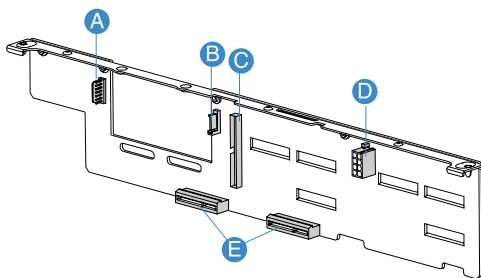
### SAS/SATA backplane board

Front view



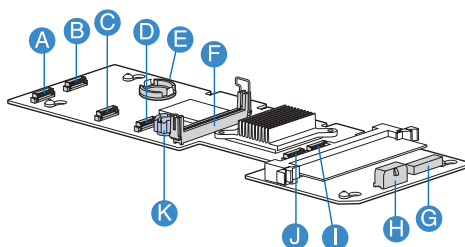
Item	Description	Item	Description
A	Optical drive connector	C	Control panel connector
B	USB connector	D	SAS/SATA connectors

## Rear view



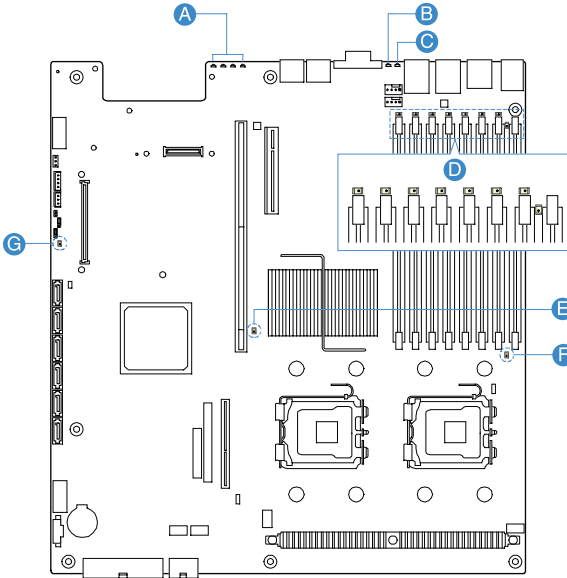
Item	Description	Item	Description
A	Flex bay power cable connector	D	Backplane power connector
B	Flex bay data cable connector	E	Mid-plane connectors
C	IDE connector		

## SAS mid-plane board



Item	Description	Item	Description
A	Fan 1 power connector	G	Integrated SAS hardware RAID BBU (battery backup unit) connector
B	Fan 2 power connector	H	Mid-plane power connector
C	Fan 3 power connector	I	Fan 6 power connector
D	Fan 4 power connector	J	Fan 5 power connector
E	Integrated SAS hardware RAID activation key connector	K	Thumbscrew
F	Bridge board connector		

# System diagnostic LEDs

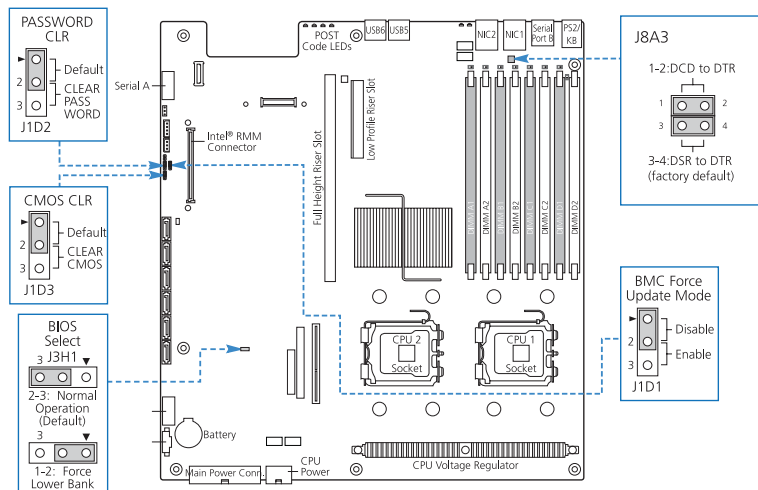


Item	Description	Item	Description
A	Diagnostic POST code indicators*	E, F	CPU error indicator
B	System ID indicator	G	5-volt standby present indicator
C	System status indicator		
D	DIMM error indicator		

\* For more information on how to troubleshoot during a system hang, refer to the Diagnostic POST code table on page 149.



# System jumpers



Jumper name	Settings	Function
J1D2	1-2 (default)	Password enabled
Password clear	2-3	Password disabled/cleared
J1D3	1-2 (default)	BIOS clear CMOS
Clear CMOS	2-3	Forced CMOS clear
J3H1	1-2	Force lower bank
BIOS select	2-3 (default)	Normal operation
J1D1	1-2 (default)	BMC force update disabled
BMC force update mode	2-3	BMC force update enabled
J8A3	1-2	DCD (Data Carrier Detect) to DTR (Data Terminal Ready) signal
Serial B port (RJ-45)	3-4 (default)	DSR (Data Set Ready) to DTR signal



# 2 System setup

This chapter gives you instructions on how to set up the system. Procedures on how to connect peripherals are also explained.

# Setting up the system

## Pre-installation requirements

### Selecting a site

Before unpacking and installing the system, select a suitable site for the system for maximum efficiency. Consider the following factors when choosing a site for the system:

- Near a grounded power outlet
- Clean and dust-free
- Stable surface free from vibration
- Well-ventilated and away from sources of heat
- Secluded from electromagnetic fields produced by electrical devices such as air conditioners, radio and TV transmitters, etc.

### Checking the package contents

Check the following items from the package:

- Acer Altos R720 system
- Acer EasyBUILD™
- Acer Altos R720 accessory box

If any of the above items are damaged or missing, contact your dealer immediately.

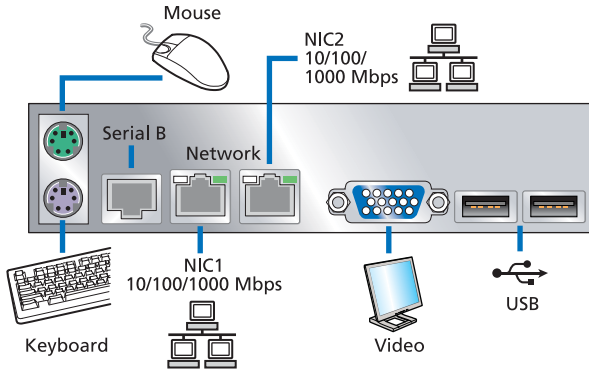
Save the boxes and packing materials for future use.

# Connecting peripherals



**Caution!** The server operates on 100-127/200-240 VAC only. Do not connect the system to an incorrect voltage source.

Refer to the illustration below for specific connection instructions on the peripherals you want to connect to the system.



**Note:** Consult the operating system manual for information on how to configure the network setup.

## Turning on the system

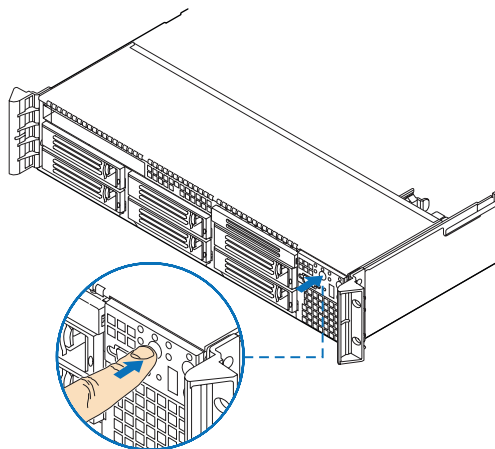
After making sure that you have properly set up the system and connected all the required cables, you can now power on the system.



**Note:** After plugging in the AC power cord, allow system to warm up for 30 seconds or until the Status/fault LED on the control panel stops blinking before turning on the system. Refer to “Front panel LED indicators” on page 10 for the location of the Status/fault LED.

To power on the system:

- 1 If the bezel is locked, unlock it. See “Unlocking the front bezel” section on page 37.
- 2 Remove the front bezel. See “To remove the front bezel” section on page 38.
- 3 Press the power button on the control panel.



The system starts up and displays a welcome message on the monitor. After that, a series of POST messages appears.



**Note:** If the system does not turn on or boot after pressing the power button, go to the next section for the possible causes of the boot failure.

If the POST finds any problems, the system will emit a beep code followed by an error message displayed on the monitor. Aside from the POST messages, you can determine if the system is in good condition by checking if the following occurred:

- Power indicator on the front panel lights up (green)
- Num Lock, Caps Lock, and Scroll Lock indicators on the keyboard light up

## Power-on problems

If the system does not boot after you have applied power, check the following factors that might have caused the boot failure.

- The external power cord may be loosely connected.  
Check the power cord connection from the power source to the power supply module AC input connector on the rear panel. Make sure that the power cord is properly connected to the power source and to the AC input connector.
- No power comes from the grounded power outlet.  
Have an electrician check your power outlet.
- Loose or improperly connected internal power cables.  
Check the internal cable connections. If you are not confident to perform this step, ask a qualified technician to assist you.



.....  
**Warning! Make sure all power cords are disconnected from the electrical outlet before performing this task.**

- The ARMC/3 module is not installed in the server, or not properly seated.  
Check the ARMC/3 module connection. Make sure the ARMC/3 module is properly connected to the mainboard. For more information on how to install the ARMC/3 module, see "To install an ARMC/3 module" section on page 85.



.....  
**Note:** If you have gone through the preceding actions and the system still fails to boot, ask your dealer or a qualified technician for assistance.



# Configuring the system OS

The Altos R720 comes with Acer EasyBUILD™ that allows you to conveniently install your choice of operating system. To start using EasyBUILD, follow the steps below.

- 1 Locate the EasyBUILD DVD included in the system package.
- 2 With the system turned on, gently press the CD-ROM drive Stop/Eject button.
- 3 When the disc tray slides open, insert the EasyBUILD DVD with the label or title side of the disc facing upward.



.....

**Note:** When handling the disc, hold it by the edges to avoid smudges or fingerprints.

- 4 Gently press the disc down to make sure that it is properly inserted.



.....

**Caution!** While pressing the disc, be careful not to bend the disc tray. Make sure that the disc is properly inserted before closing the disc tray. Improper insertion may damage both the disc and the CD-ROM drive.

- 5 Gently press the drive Stop/Eject button again to close the disc tray.
- 6 The Acer EasyBUILD sequence begins. Follow all onscreen instructions.

For more information, refer to the EasyBUILD Installation guide.



.....

**Note:** EasyBUILD DVD supports Windows Server 2003 and Red Hat Linux operating system only.

Windows or Linux OS CD is needed when you install the OS with the EasyBUILD DVD.

# Turning off the system

There are two ways by which you can turn off the server. These include:

- If you are using a Windows OS on your server, you can turn off the server by clicking the **Start** button, point to **Shut Down...**, select **Shut down** from the drop-down window then click on **OK**. You can then turn off all peripherals connected to your server.

If you are using another OS, refer to the OS documentation for instructions on how to shut down the OS.

- If you cannot shut down the server, press the power button for at least four seconds. Quickly pressing the button may put the server in a Suspend mode only.

# 3 System upgrade

This chapter discusses the precautionary measures and installation procedures you need to know to upgrade the system.

# Installation precautions

Before you install any server component, we recommend that you read the following sections. These sections contain important ESD precautions along with pre-installation and post-installation instructions.

## ESD precautions

Electrostatic discharge (ESD) can damage the processor, disk drives, expansion boards, motherboard, memory modules and other server components. Always observe the following precautions before you install a server component:

- 1 Do not remove a component from its protective packaging until you are ready to install it.
- 2 Wear a wrist grounding strap and attach it to a metal part of the server before handling components. If a wrist strap is not available, maintain contact with the server throughout any procedure requiring ESD protection.

## Pre-installation instructions

Perform the steps below before you open the server or before you remove or replace any component:

- 1 Turn off the system and all the peripherals connected to it.
- 2 Unplug all cables from the power outlets.
- 3 Place the system unit on a flat, stable surface.
- 4 Open the system according to the instructions on page 37.
- 5 Follow the ESD precautions described in this section when handling a server component.
- 6 Remove any hardware structure or cable that block access to the component you must replace or upgrade.

See the following sections for specific installation instructions on the component you want to install.



.....

**Warning! Failure to properly turn off the server before you start installing components may cause serious damage. Do not attempt the procedures described in the following sections unless you are a qualified service technician.**

## Post-installation instructions

Perform the steps below after installing a server component.

- 1 See to it that all components are installed according to the described step-by-step instructions.
- 2 Reinstall all components or cable that have been previously removed.
- 3 Reinstall the top cover.
- 4 Reinstall the front bezel.
- 5 Connect the necessary cables.
- 6 Turn on the system.

# Opening the server



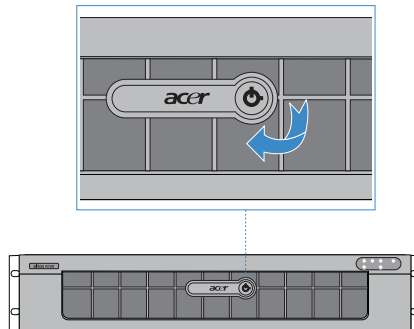
**Caution!** Before you proceed, make sure that you have turned off the system and all peripherals connected to it. Read the "Pre-installation instructions" on page 35.

You need to open the server before you can install additional components. The front bezel and top cover are removable to allow access to the system's internal components. Refer to the following sections for instructions.

## Unlocking the front bezel

A security lock secures the front bezel to protect the system unit from unauthorized access.

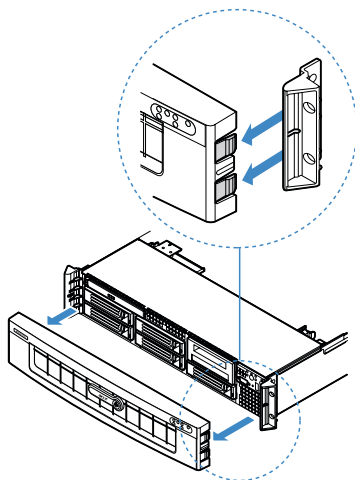
Insert the key into the lock and turn it clockwise.



# Removing and installing the front bezel

To remove the front bezel:

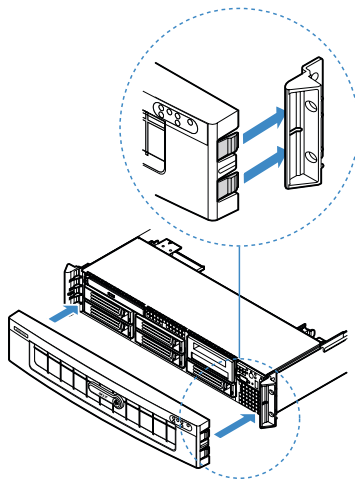
- 1 If the bezel is locked, unlock it.
- 2 Disconnect any cables attached to the control panel.
- 3 Grasp the front bezel at the outer edge and pull it straight out.





To install the front bezel:

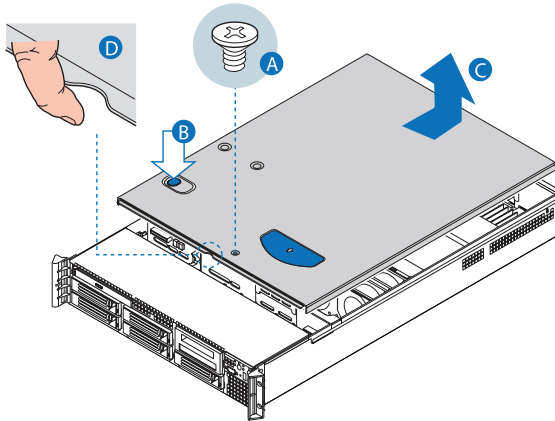
- 1 Line up the center notch on both ends of the bezel with the center guide on the rack handles.
- 2 Slide the front bezel onto the chassis until it clicks into place.



# Removing and installing the top cover

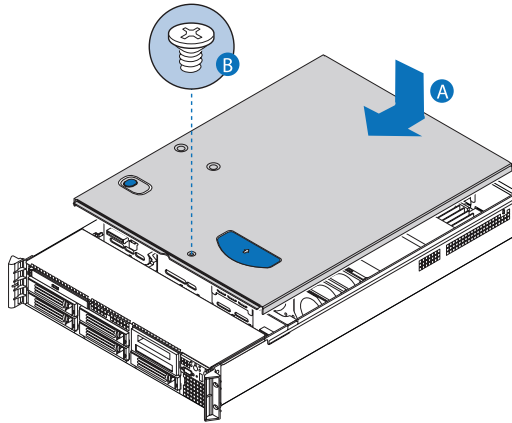
To remove the top cover:

- 1 Observe the ESD precautions and pre-installation instructions described on page 35.
- 2 Remove the screw located on the top cover **(A)**.
- 3 Press and hold the blue release button **(B)**, then slide the cover toward the back of the chassis until the cover disengage with the slots on the chassis **(C)**.
- 4 Insert your finger in the notch **(D)**, then lift the top cover away from the server and put it aside for reinstallation later.



To install the top cover:

- 1 Observe the ESD precautions and pre-installation instructions described on page 35.
- 2 Place the top cover on the chassis so that the tabs on the cover align with the slots on the chassis .
- 3 Slide the top cover toward the front of the chassis until it is fully closed **(A)**.
- 4 Replace the screw on the top cover **(B)**.



# Removing and installing the CPU air duct



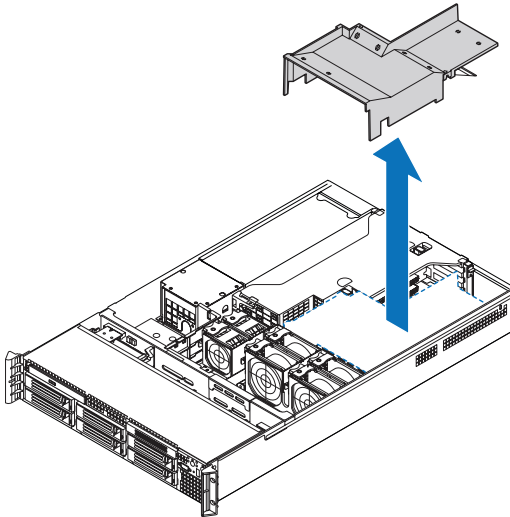
**Caution!** Always operate your server with the CPU air duct installed to ensure reliable and continued operation.

To remove the CPU air duct:

You will need to remove the CPU air duct to perform the following procedures:

- Removing and installing a CPU air dam
- Removing and installing the PCI riser assembly
- Removing and installing the PCI riser board
- Removing and installing the PCI card
- Removing and installing a CPU
- Removing and installing a memory module
- Removing and installing an ARMC/3 module

- 1 Observe the ESD precautions and pre-installation instructions described on page 35.
- 2 Lift the CPU air duct from the chassis.

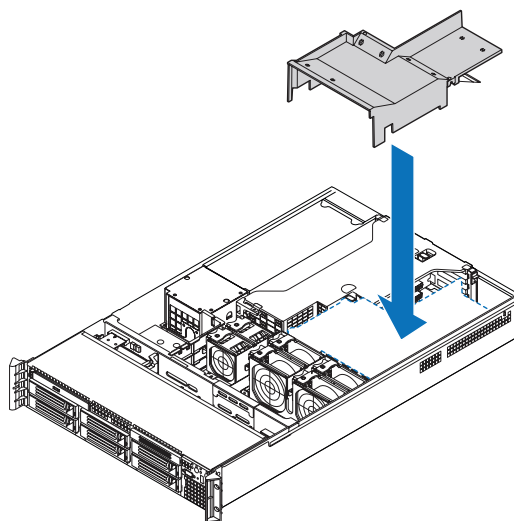


To install the CPU air duct:

- 1 Observe the ESD precautions and pre-installation instructions described on page 35.
- 2 Place the CPU air duct over the two processor sockets. The front edge of the air duct should touch the front fan module and the top of the installed air duct should be flush with the top of the power supply.



-----  
**Caution!** Do not pinch or unplug cables that may be near or under the air duct.



- 3 Observe the post-installation instructions described on page 36.

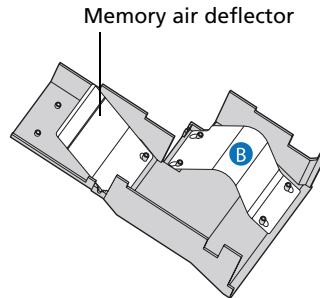
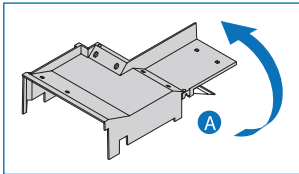
# Removing the CPU air dam

To remove the CPU air dam:



**Important:** Do not remove the CPU air dam if only one processor is installed. Do not remove the memory air deflector. If two processors are installed, remove the CPU air dam. If installing full-height DIMMs, remove the memory air deflector.

- 1 Observe the ESD precautions and pre-installation instructions described on page 35.
- 2 Turn the CPU air duct over **(A)**.
- 3 Slide the air dam's slotted holes off the duct pins, then gently pull the air dam from the air duct **(B)**.



- 4 Store it in a protective packaging.

# Removing and installing the air baffles



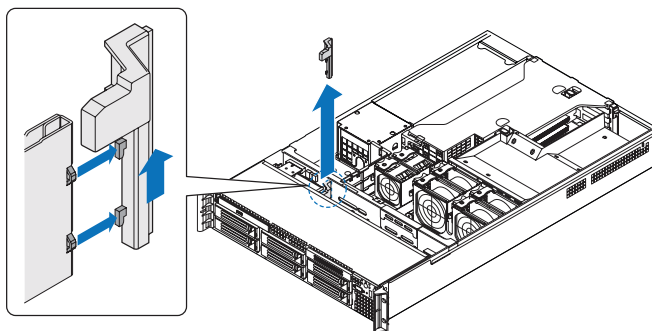
**Caution!** Always operate your server with both the air baffles installed to ensure reliable and continued operation.

Your server is equipped with two air baffle, one small air baffle attached to the drive cage area and one large air baffle attached between the backplane board and the power supply. You will need to remove the smaller air baffle to perform the following procedures.

- Removing and installing the SAS mid-plane board
- Removing and installing the SAS/SATA backplane board
- Configuring the integrated SAS hardware RAID components

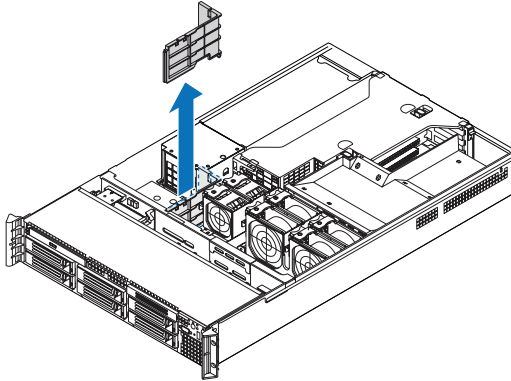
To remove the small air baffle:

- 1 Observe the ESD precautions and pre-installation instructions described on page 35.
- 2 Detach the air baffle from the chassis.



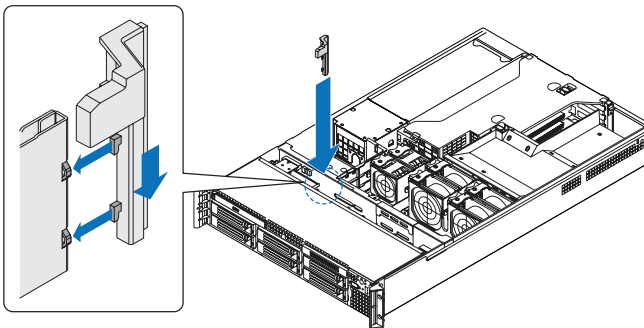
To remove the large air baffle:

- 1 Observe the ESD precautions and pre-installation instructions described on page 35.
- 2 Note how the cables are routed over and under the air baffle. You will need to re-route these cables later.
- 3 Disengage the air baffle and pull it out of the chassis.



To install the small air baffle:

- 1 Observe the ESD precautions and pre-installation instructions described on page 35.
- 2 Engage the air baffle into its chassis slot.

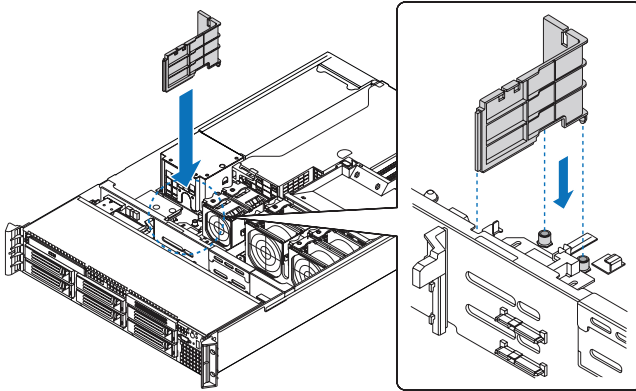


- 3 Observe the post-installation instructions described on page 36.



## To install the large air baffle

- 1 Observe the ESD precautions and pre-installation instructions described on page 35.
- 2 Lower the air baffle into the chassis and snap it into the mainboard standoff.
- 3 While setting the baffle into place, route the cables beneath it appropriately.



- 4 Observe the post-installation instructions described on page 36.

# Removing and installing storage devices

The system supports 3.5-inch and 5.25-inch storage devices. The system comes pre-installed with one hot-plug SAS hard disk drive and an optical drive. An optional floppy drive, tape drive, or sixth hot-plug HDD can also be added to the server.



.....  
**Caution!** To maintain proper system cooling, filler panels must be installed if a device is not replaced.

## Removing and installing a hard disk drive

The server supports up to five hot-plug SAS drives (six with an optional sixth drive board). Use only Acer-qualified SAS HDDs. To purchase a SAS HDD, contact your local Acer representative.



.....  
**Caution!** To ensure proper airflow and server cooling, all drive bays must contain either a carrier with a hard drive installed in it or a hard disk carrier cover.

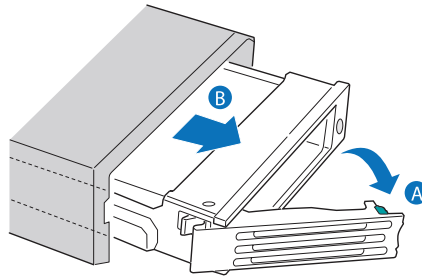
## Determining drive status

Each HDD carrier features a bi-color LED indicator to display the hard drive status. If you are replacing a failed HDD, determine which drive has failed by checking the drive status LED. For more information on how to determine the drive status, refer to "Front panel LED indicators" on page 10.

To remove a HDD:

- 1 Observe the ESD precautions described on page 35.
- 2 If you are removing a failed HDD, determine which drive has failed by checking the drive status LED.
- 3 Press the green HDD carrier latch to open the drive **(A)**.

- 4 Pull out the lever and slide the carrier from the chassis (**B**).



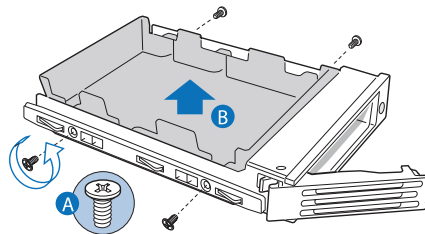
- 5 Place the HDD carrier on a clean, static-free work surface.
- 6 If you are replacing a hard disk, remove the four screws that secure the hard disk to the HDD carrier, then remove the disk from the HDD carrier.  
Keep the screws for later HDD installation.

To install a HDD:



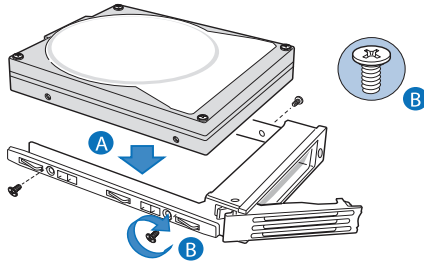
.....  
**Note:** To purchase a HDD carrier, contact your local Acer representative.

- 1 Perform steps 1 to 4 listed on the “To remove a HDD” section on page 48.
- 2 Remove the four screws that secure the air baffle to the HDD carrier (**A**).
- 3 Remove the air baffle from the HDD carrier (**B**).

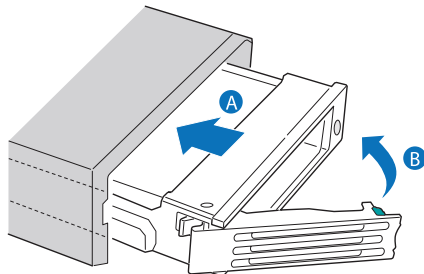


- 4 Save the air baffle and screws for later use.
- 5 Set any jumpers and/or switches on the drive according to the drive manufacturer’s instructions.

- 6 Install a hard disk on the HDD carrier, then secure it with the four screws **(A)** that came with the HDD carrier **(B)**.



- 7 With the lever still extended, slide the HDD carrier all the way into the drive bay **(A)**. Do not push on the lever until it begins to close by itself.
- 8 When the lever begins to close by itself, push on it to lock the drive assembly into place **(B)**.



## Removing and installing a slim-line optical drive



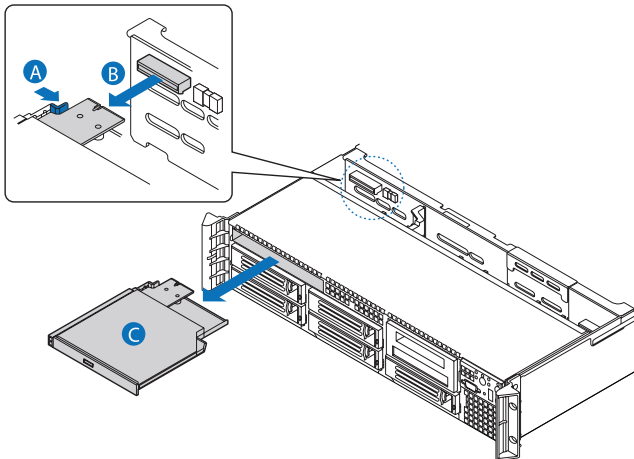
**Note:** The slim-line optical drive is not hot-swappable. Before removing or replacing the drive, you must first power down the server, unplug the AC power cord from the system, and turn off all peripherals devices connected to the server.



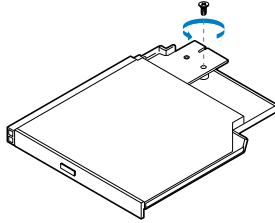
**Caution!** To maintain proper system cooling, a filler panel must be installed if a device is not installed in the bay.

To remove a slim-line optical drive:

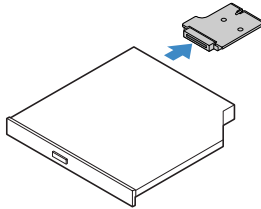
- 1 Observe the ESD precautions and pre-installation instructions described on page 35.
- 2 Press the blue release lever to unlock the optical drive tray **(A)** and remove the optical drive tray assembly from the server **(B)**.
- 3 Slide the optical drive tray out through the front of the server **(C)**.



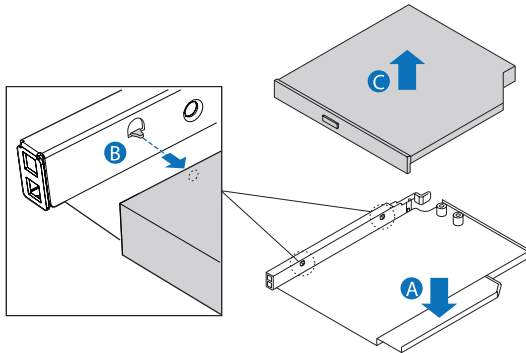
- 4 Remove the screw that secures the interposer board to the optical drive tray.



- 5 Pull the interposer board to remove it, then store the board in a protective packaging.

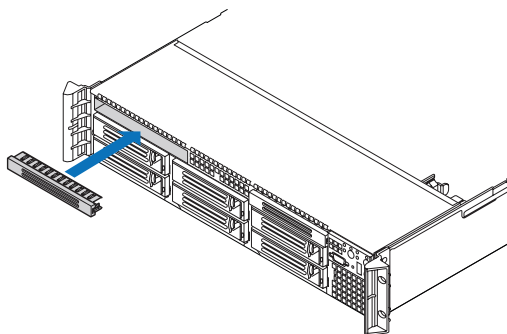


- 6 Press downward on the side of the tray **(A)** and disengage the drive from the two metal tabs on the opposite side of the tray **(B)**.
- 7 Lift the optical drive out of the tray **(C)**.



- 8 Store the optical drive tray for future use.

- 9 Install the filler panel into the drive bay.



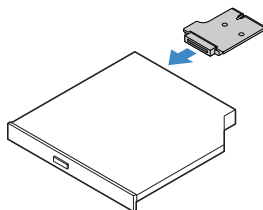
If installing a new optical drive, see succeeding section.

To install a slim-line optical drive:

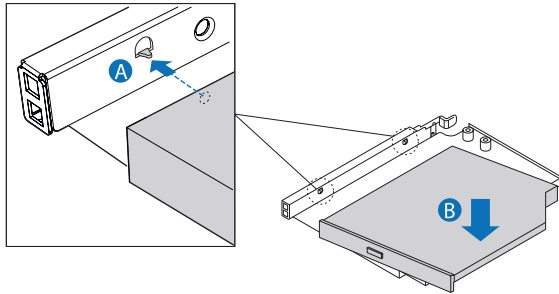
- 1 Observe the ESD precautions and pre-installation instructions described on page 35.
- 2 If necessary, remove the old optical drive. See previous section.
- 3 If a filler panel is installed, remove it from the drive bay.
- 4 Remove the new drive from its protective packaging.
- 5 Plug the interposer board into the matching connector on the rear of the optical device.



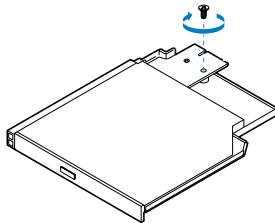
-----  
**Note:** Make sure the interposer board fits the alignment pin on drive tray.



- 6 Install the new optical drive into the optical drive tray by aligning the two holes on the left edge of the optical device with the two metal tabs in the tray **(A)**.
- 7 Lower the right side of the device into the tray until it clicks into place **(B)**.



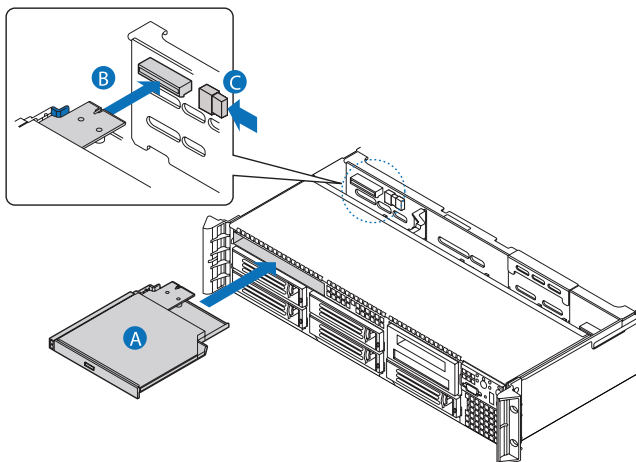
- 8 Secure the interposer board to the optical drive tray with the screw supplied with the optical drive kit.



- 9 Slide the optical drive tray into the front opening in the server **(A)**. Make sure the back end of the interposer board plugs into the matching connector on the backplane board **(B)**.
- 10 Verify that the blue release lever on the tray locks into place.



- 11 For installing an optional USB floppy drive, note the location of the USB connector **(C)** on the backplane board and refer "To install a FDD in a converted HDD bay" section on page 56 for installation instructions.



- 12 Observe the post-installation instructions described on page 36.

## Installing and removing a FDD

You can choose to install a FDD into either the slim-line optical drive bay or the top, left-hand HDD bay, directly beneath the slim-line drive bay.

To install a FDD in the optical drive bay:



-----  
**Note:** Refer to the FDD documentation for additional installation requirements.

- 1 Observe the ESD precautions and pre-installation instructions described on page 35.
- 2 If necessary, remove the old FDD. See “To remove a FDD from the optical drive bay” section on page 59.
- 3 If a filler panel is installed, remove it from the drive bay.
- 4 Remove the new FDD from its protective packaging.
- 5 Install the new FDD into the drive tray by aligning the two holes on the left edge of the FDD with the two metal tabs in the tray.
- 6 Lower the right side of the FDD into the tray until it clicks into place.
- 7 Slide the drive tray into the front opening in the server.
- 8 Verify that the blue release lever on the tray locks into place.
- 9 Plug the data cable into the USB connector on the backplane board.
- 10 Observe the post-installation instructions described on page 36.

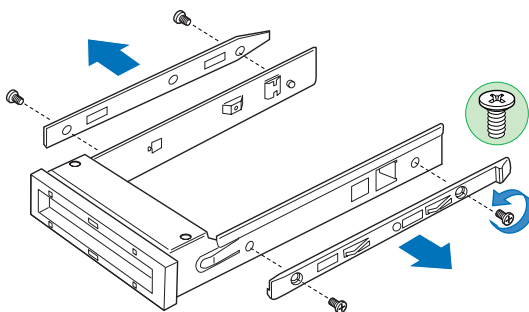
To install a FDD in a converted HDD bay



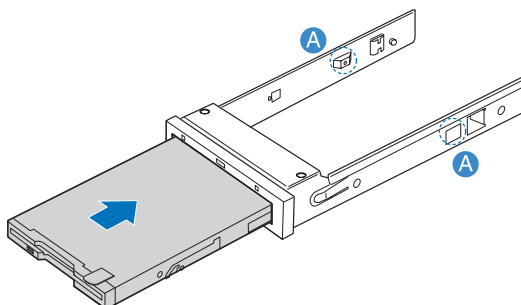
-----  
**Caution!** If you need to install a FDD into a converted HDD bay, you must install the FDD in the top, left-hand HDD bay, directly beneath the slim-line drive bay.

- 1 Observe the ESD precautions and pre-installation instructions described on page 35.
- 2 If necessary, remove the hot-plug HDD carrier. See “To remove a HDD” section on page 48.

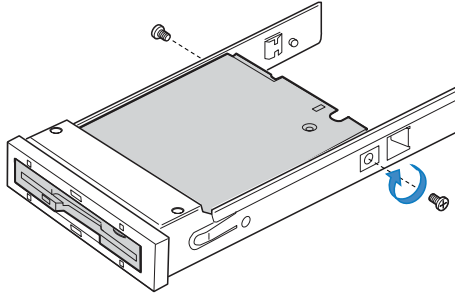
- 3 Remove the slim-line optical drive. See "To remove a slim-line optical drive" section on page 51.
- 4 If a drive carrier cover is installed, remove the cover from the drive bay.
- 5 Place the diskette drive conversion carrier on a clean, static-free work surface.
- 6 Remove the four screws that secure the rails to the diskette drive conversion carrier kit.



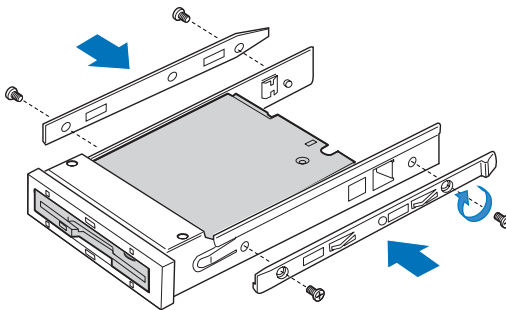
- 7 Slide the new FDD into the drive carrier, inserting the rear of the drive first, with the underside of the drive facing down.
- 8 Align the holes in the sides of the FDD with the holes in the drive carrier **(A)**.



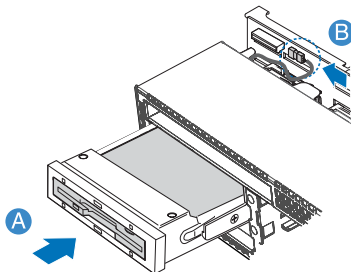
- 9 Secure the FDD into the carrier with the two screws that came with your diskette drive conversion kit.



- 10 Attach the slide rails to the sides of the carrier using the four screws that you removed earlier.



- 11 Slide the carrier assembly into the upper-left HDD bay into the front opening in the server **(A)**.
- 12 Plug the data drive cable into the USB connector on the backplane board **(B)**.



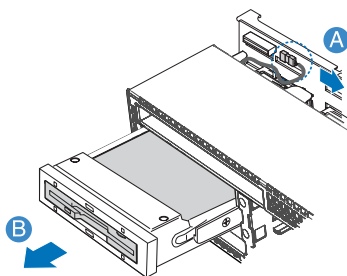
- 13 Observe the post-installation instructions described on page 36.

To remove the FDD from the optical drive bay:

- 1 Observe the ESD precautions and pre-installation instructions described on page 35.
- 2 Disconnect the data cable from the USB connector on the backplane board.
- 3 Press the blue release lever to unlock the FDD tray and remove the FDD tray assembly from the server.
- 4 Slide the tray out through the front of the server.
- 5 Press downward on the side of the tray and disengage the drive from the two metal tabs on the opposite side of the tray.
- 6 Lift the FDD out of the tray.
- 7 Store the FDD tray for future use.
- 8 Install the filler panel into the drive bay. If installing a new FDD, see "To install a FDD in the optical drive bay" section on page 56 for installation instructions.

To remove the FDD from a converted HDD bay:

- 1 Observe the ESD precautions and pre-installation instructions described on page 35.
- 2 Disconnect the data cable from the USB connector on the backplane board **(A)**.
- 3 Press the blue release latch on the rear of the drive carrier.
- 4 Slide the drive carrier out through the front of the server **(B)**.



- 5 Remove the four screws securing the two rails to the carrier, then lift the rails from the carrier. .

- 6 Install an empty hot-plug HDD carrier or a filler panel into the HDD bay. If installing a new FDD, see "To install a FDD in a converted HDD bay" section on page 56 for instructions.



-----

**Caution!** The filler panel must be installed to maintain proper system cooling.

## Installing a tape drive

To install a tape drive into the server, make sure you have the following items:

- Tape drive kit
- 3.5-inch half-height tape drive

To purchase a tape drive kit, contact your local Acer representative.

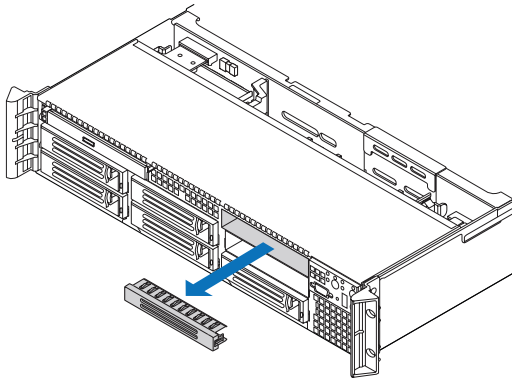


-----

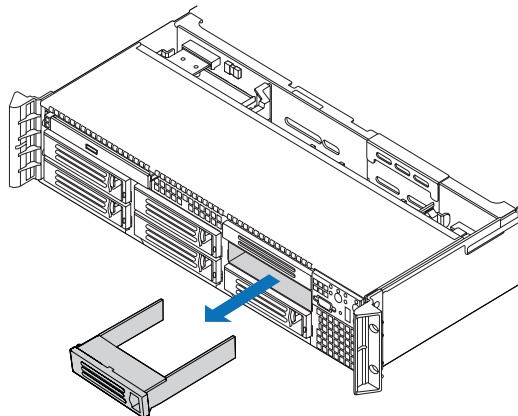
**Caution!** Before installing a tape drive into the server, make sure the sixth hot-plug HDD or the sixth drive board is not installed on the backplane board.

### To install a tape drive

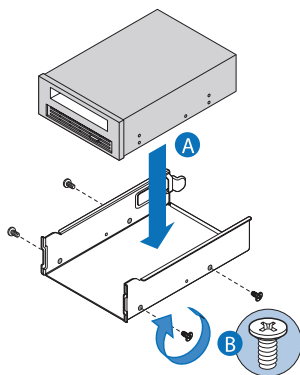
- 1 Observe the ESD precautions and pre-installation instructions described on page 35.
- 2 Using a long screwdriver push the tape drive filler panel out from the inside of the chassis.



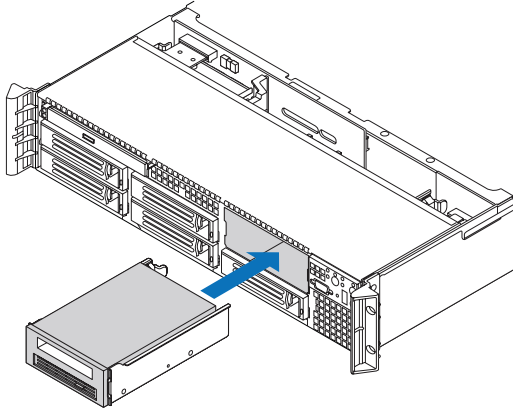
- 3 Remove the empty HDD carrier from the sixth drive bay. See "To remove a HDD" section on page 48.



- 4 Attach the tape drive to the tape drive carrier (**A**), then secure the tape drive into the carrier with the four screws (**B**) that are included in the tape drive carrier kit.



- 5 Slide the tape drive assembly into the combined tape drive or sixth drive bay until the carrier clicks into place.



- 6 Plug the data cable to the rear of the tape drive.
- 7 Connect the other end of the data cable to the data cable connector on the rear of the backplane board.
- 8 Plug the power cable to the rear of the device.
- 9 Connect the other end of the power cable to the power cable connector on the rear of the backplane board.
- 10 Observe the post-installation instructions described on page 36.

## Installing a sixth HDD



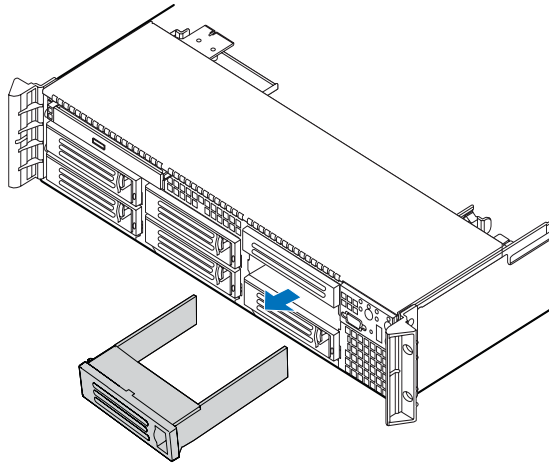
**Caution!** Before installing a sixth HDD into the server, make sure a tape drive is not installed or occupying the sixth drive bay.

To install a sixth HDD:

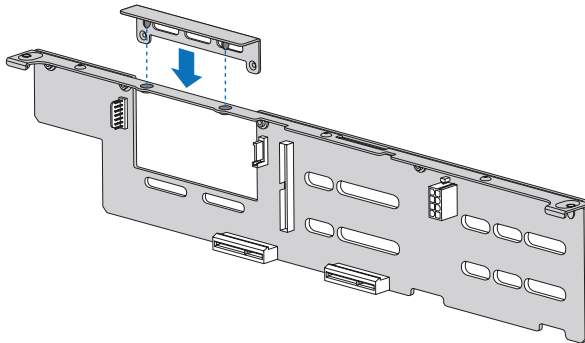
- 1 Observe the ESD precautions and pre-installation instructions described on page 35.
- 2 Using a long screwdriver, push the tape drive filler panel out from the inside of the chassis.



- 3 Remove the empty HDD carrier from the sixth drive bay. See "To remove a HDD" section on page 48.



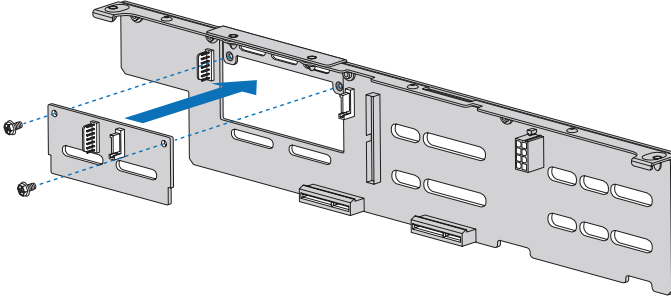
- 4 Slide the sixth HDD bracket into the backplane board.



- 5 Align the option sixth HDD board with the matching holes in the backplane board.
- 6 Carefully move the board down to seat the board in the backplane, then secure it with two screws supplied with the sixth HDD bracket kit.



**Note:** Make sure the board seats securely into the plastic retainer at the bottom of the opening in the backplane board.



- 7 Install a hot-plug HDD into the sixth HDD bay. See "To install a HDD" section on page 49 for installation instructions.
- 8 Observe the post-installation instructions described on page 36.

## Removing and installing a PCI card



.....

**Note:** The PCI riser assembly includes an intrusion switch that engages the system cover. The intrusion switch is provided to allow server management software to monitor removal of the top cover from the server.



.....

**Caution!** The PCI riser assembly must be installed to maintain proper airflow inside the server.

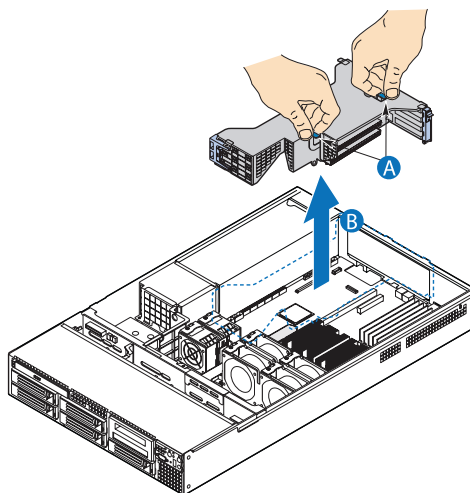
## Removing and installing the PCI riser assembly

PCI riser boards are installed in a removable PCI riser assembly. This section explains how to access the PCI riser assembly and remove and install PCI cards.

To remove the PCI riser assembly:

- 1 Observe the ESD precautions and pre-installation instructions described on page 35.
- 2 Remove the CPU air duct. Perform the instructions described in “To remove the CPU air duct” section on page 42.
- 3 Disconnect any cables attached to an installed PCI card.
- 4 Grasp both riser latches with thumb and forefinger, then pull up to release the riser assembly **(A)**.

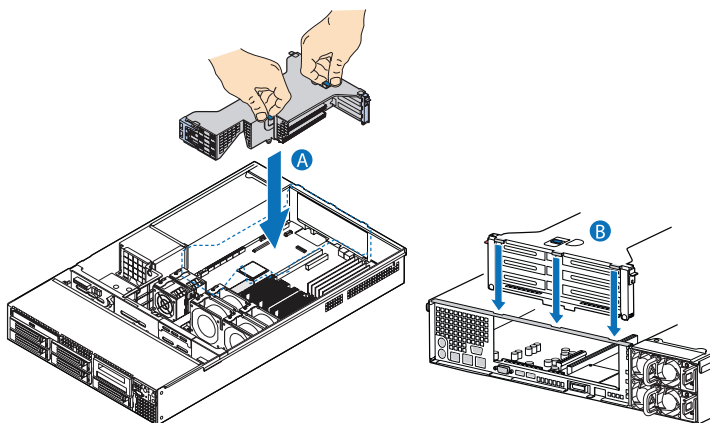
- 5 Lift the riser assembly from the chassis **(B)**.



- 6 Place the riser assembly on a clean, static-free work surface.
- 7 Add or remove PCI cards.
- 8 Observe the post-installation instructions described on page 36.

To install the PCI riser assembly:

- 1 Observe the ESD precautions and pre-installation instructions described on page 35.
- 2 Lower the PCI riser assembly **(A)**, aligning the three hooks on the back edge of the riser assembly with the matching slots on the rear of the chassis **(B)**.



- 3 Press down on the assembly until the three hooks on the rear of the riser assembly engage the chassis back panel slots.
- 4 Connect the cables to the installed PCI card.
- 5 Observe the post-installation instructions described on page 36.

## Removing and installing the PCI riser board

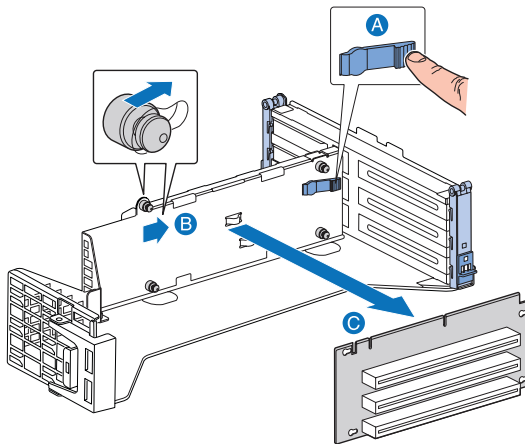
The PCI riser assembly has two PCI riser boards that supports five PCI cards.

- Low profile riser board- two PCI Express x8 slots (with x4 throughput)
- Full height riser board- two PCI Express x8 slots (with x4 throughput) and one PCI-X 133 MHz slot

PCI riser boards can be replaced if it fails or if you require a different option.

## To remove a PCI riser board

- 1 Observe the ESD precautions and pre-installation instructions described on page 35.
- 2 Remove the CPU air duct. Perform the instructions described in "To remove the CPU air duct" section on page 42.
- 3 Remove the PCI riser assembly from the server. See "To remove the PCI riser assembly" section on page 65.
- 4 Remove any installed PCI cards from the riser board. See "To remove a PCI card" section on page 69.
- 5 Press the blue release lever at the end of the PCI riser board **(A)**.
- 6 While holding the lever in, press firmly on the other end of the board to disengage the board from the assembly **(B)**.
- 7 Remove the riser board from the PCI riser assembly **(C)**.

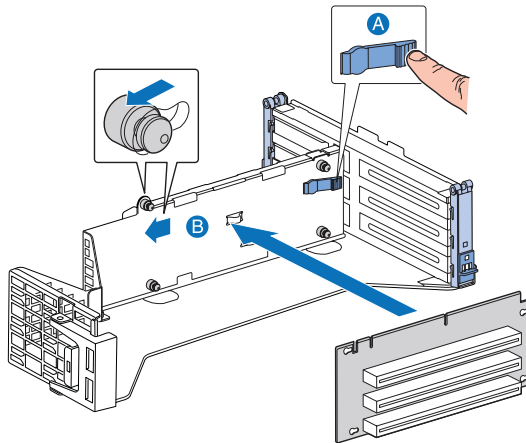


- 8 Store the riser board in an antistatic protective wrapper.
- 9 Repeat steps 4 through 7 to remove the other riser board.
- 10 Observe the post-installation instructions described on page 36.

## To install a PCI riser board:

- 1 Observe the ESD precautions and pre-installation instructions described on page 35.
- 2 Remove the CPU air duct. Perform the instructions described in "To remove the CPU air duct" section on page 42.

- 3 Remove the PCI riser assembly from the server. See "To remove the PCI riser assembly" section on page 65.
- 4 While holding the blue release lever in **(A)**, align the holes in the PCI riser board with the retention pins on the riser assembly.
- 5 Slide the riser board toward the left **(B)**, then release the blue lever to lock the board in place.



- 6 Observe the post-installation instructions described on page 36.

## Removing and installing a PCI card

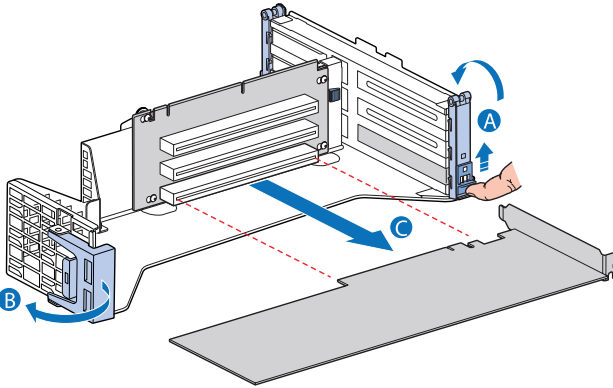
To remove a PCI card:

- 1 Observe the ESD precautions and pre-installation instructions described on page 35.
- 2 Remove the CPU air duct. Perform the instructions described in "To remove the CPU air duct" section on page 42.
- 3 Remove the PCI riser assembly from the server. See "To remove the PCI riser assembly" section on page 65.
- 4 Open the rear retention clip by pushing the blue slide upward **(A)** and rotating clip to the fully open position.
- 5 When removing a full height PCI riser board, open the full length PCI card retention clip on the front of the riser assembly by rotating it 90 degrees outward **(B)**.



**Note:** The install sequence for low profile PCI cards on the opposite side of the riser assembly is the same.

- Pull up the card to remove it **(C)**, then store the card in an antistatic protective wrapper.



- Observe the post-installation instructions described on page 36.

## To install a PCI card

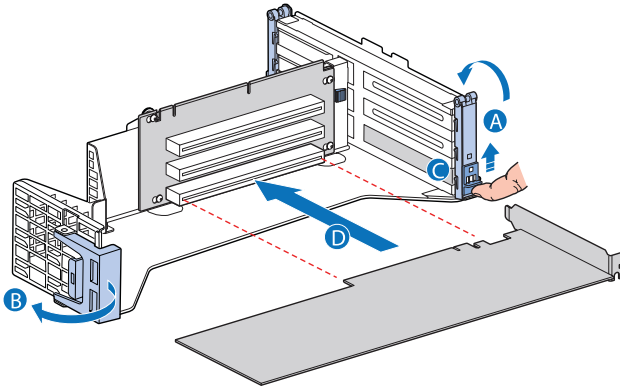


**Note:** When installing PCI-X cards into the full height riser board, the cards must be installed starting with the top slot first, followed by the middle and then the bottom. Any card populated in the bottom PCI slot will cause the bus to operate at 66 MHz.

- Observe the ESD precautions and pre-installation instructions described on page 35.
- Remove the CPU air duct. Perform the instructions described in “To remove the CPU air duct” section on page 42.
- Remove the PCI riser assembly from the server. See “To remove the PCI riser assembly” section on page 65.
- Open the rear retention clip by pushing the blue slide upward **(A)** and rotating clip to the fully open position.



- 5 When removing a full height PCI riser board, open the full length PCI card retention clip on the front of the riser assembly by rotating it 90 degrees outward **(B)**.
- 6 Remove the filler panel **(C)**, if installed.
- 7 Insert the PCI card into the selected slot **(D)**. Make sure the card is properly seated.



- 8 Close both retention clips.
- 9 Observe the post-installation instructions described on page 36.

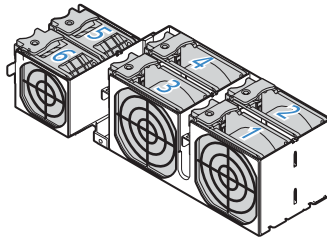
# Replacing a system fan

The system fans on the server can be individually replaced or hot-swapped in the event of failure. To provide adequate cooling in the chassis, at least 3 fans must be installed to the server. Each fan is equipped with an LED to indicate a fan failure condition. If the system fan LED is on, the fan assembly needs to be replaced. The system fan LED remains off during normal operation.

The system ships out with only three system fans installed. The server allows for installation of 3 more additional system fans in the event of a fan failure.

System fans must be installed in the following order:

- First - Fan 2, fan 4, and fan 5
- Second - Fan 1, fan 3, and fan 6



**Warning!** To ensure proper system cooling, the replacement of a failed system fan should be completed within one minute.

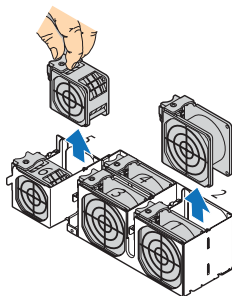
To replace the system fan



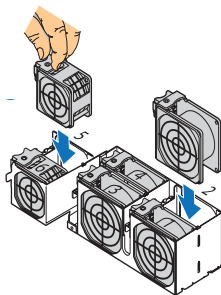
**Caution!** Hot-swap operations should be performed only if a failure occurs in the system fan assembly.

- 1 Observe the ESD precautions described on page 35.
- 2 Identify the defective fan. If a fan has failed the system fan LED will be lit.

- 3 Grasp the defective fan and lift it up the fan bay.



- 4 Install the new fan by sliding the new fan into an empty fan socket.



- 5 Observe the post-installation instructions described on page 36.

# Upgrading the CPU

The server supports two dual-core Intel Xeon processors 5000 sequence with 2 x 2 MB L2 cache and 1066 MHz or 1333 MHz FSB.

## CPU upgrading guidelines

When installing CPUs the following must be observed:

- Use only Acer-qualified CPUs.
- Each CPU socket include a CPU and heat sink combination.
- When two CPUs are installed, both should have identical revision, core voltage, and speed values.
- When only one CPU is installed, it must be installed in CPU 1 socket.

To remove a CPU:

If you are replacing a CPU on the system, the heat sink must first be removed.



-----  
**Important:** Before removing a CPU from the mainboard, make sure to create a backup file of all important data.

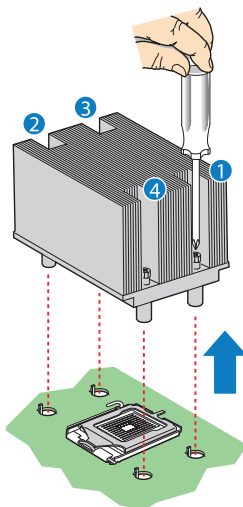
- 1 Observe the ESD precautions and pre-installation instructions described on page 35.



-----  
**Warning!** The heat sink becomes very hot when the system is on. NEVER touch the heat sink with any metal or with your hands.

- 2 Remove the CPU air duct. Perform the instructions described in "To remove the CPU air duct" section on page 42.
- 3 Locate the CPU you want to remove.

- Loosen the four screws on the heat sink.



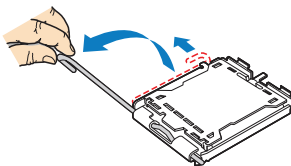
- Lift the heat sink to remove it.
- Place the heat sink upside down on a flat surface.



.....

**Note:** Wipe off the thermal grease from both the heat sink and processor using an alcohol pad.

- Pull the CPU socket retainer lever handle down and away from the socket to release it.

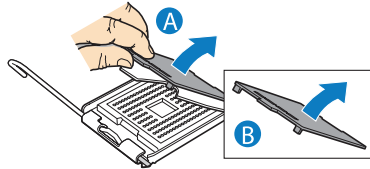


- Lift the load plate.
- Pull out the CPU from the socket, then store it in an anti-static bag.

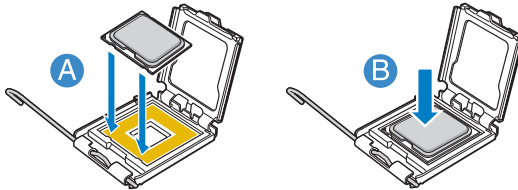
To install a CPU:

- Perform steps 1 to 3 of the "To remove a CPU:" section.
- If a heat sink is installed, remove it.

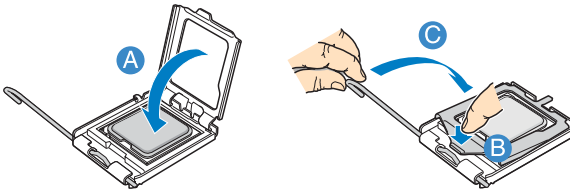
- 3 Push the socket retainer lever handle down and away from the socket to release it, then pull the lever to a fully open, upright position.
- 4 Lift the load plate **(A)** and remove the protective socket cover **(B)**.



- 5 Remove the CPU from its protective packaging.
- 6 Position the CPU over the socket **(A)**, making sure the CPU cutouts match the socket notches, then insert the CPU into the socket **(B)**.



- 7 Close the load plate **(A)**, then press the retainer lever down to lock the load plate in place **(B, C)**.



- 8 If the heat sink does not have thermal grease on the bottom, apply thermal grease to the heat sink base.
- 9 Set the heat sink on the processor, aligning the four screws in the heat sink with the screw sockets in the chassis.
- 10 Tighten the screws approximately one full turn at a time until each is evenly tightened. Do not fully tighten one screw at a time.
- 11 Observe the post-installation instructions described on page 36.

# Upgrading the system memory

Altos R720 supports eight DDR2 fully buffered DIMM slots. Each slot supports 512 MB, 1 GB, and 2GB DDR2-533/667 FBDIMM. The maximum memory capacity is 16 GB.

## Memory module installation guidelines

The following rules apply when installing memory modules to the server:

- The system must have a minimum of one 512 MB FBDIMMs installed. When installing additional memory, refer to the tables on “DDR2 module population order” on page 78 for proper population order.
- Use only DDR2 FBDIMMs. Other DIMMs will not fit into the socket. Attempts to force a non-DDR2 FBDIMM into a socket will damage or the slot or the FBDIMM.
- Hold FBDIMMs only by the edges. Do not touch the components or gold edge connectors.
- Install FBDIMMs with gold-plated edge connectors only.

## DDR2 module population order

Branch 0				Branch 1			
Channel A		Channel B		Channel C		Channel D	
DIMM A1	DIMM A2	DIMM B1	DIMM B2	DIMM C1	DIMM C2	DIMM D1	DIMM D2
512 MB							
512 MB		512 MB					
512 MB		512 MB		512 MB		512 MB	
512 MB	512 MB	512 MB	512 MB	512 MB		512 MB	
512 MB	512 MB	512 MB	512 MB	512 MB	512 MB	512 MB	512 MB
1 GB							
1 GB		1 GB					
1 GB		1 GB		1 GB		1 GB	
1 GB	1 GB	1 GB	1 GB	1 GB		1 GB	
1 GB	1 GB	1 GB	1 GB	1 GB	1 GB	1 GB	1 GB
2 GB							
2 GB		2 GB					
2 GB		2 GB		2 GB		2 GB	
2 GB	2 GB	2 GB	2 GB	2 GB		2 GB	
2 GB	2 GB	2 GB	2 GB	2 GB	2 GB	2 GB	2 GB

### To install DIMMs



**Caution!** Use extreme care when installing a DIMM. Applying too much pressure can damage the connector. DIMMs are keyed and can be inserted in only one way.

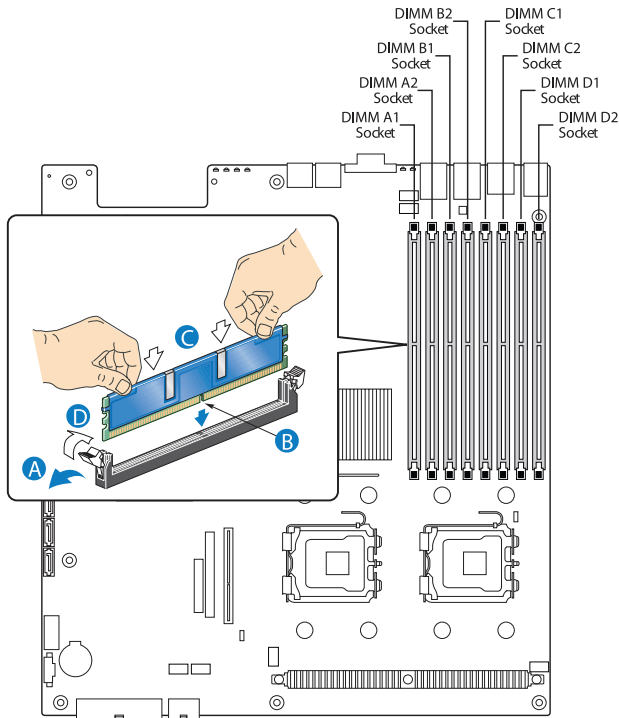


**Note:** The number labels next to the DIMM slots correspond to proper installation sequence.

- 1 Observe the ESD precautions and pre-installation instructions described on page 35.
- 2 Remove the CPU air duct. Perform the instructions described in "To remove the CPU air duct" section on page 42.
- 3 Locate the DIMM slots on the mainboard.
- 4 Open the clips on the DIMM slot(s) **(A)**.
- 5 Align **(B)** then insert the DIMM into the socket **(C)**.



- 6 Press the holding clips inward to lock the DIMM in place (**D**).



**Note:** The DIMM slot is slotted to ensure proper installation. If you insert a DIMM but it does not fit easily into the socket, you may have inserted it incorrectly. Reverse the orientation of the DIMM and insert it again.

- 7 Observe the post-installation instructions described on page 36.

## To remove DIMMs

Before you can install a new DIMM in a socket, first remove any previously installed DIMM from that socket.

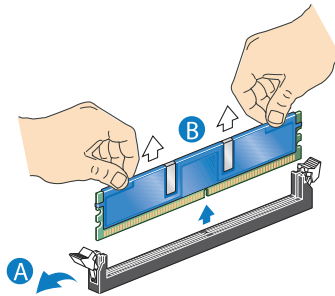


**Important:** Before removing any DIMM from the mainboard, make sure to create a backup file of all important data.



**Caution!** Use extreme care when removing DIMMs. Too much pressure can damage the connector. Apply only enough pressure on the plastic levers to release the DIMM.

- 1 Observe the ESD precautions and pre-installation instructions described on page 35.
- 2 Press the holding clips on both sides of the DIMM slot outward to release the DIMM **(A)**.
- 3 Gently pull the DIMM upward to remove it from the DIMM slot **(B)**.



- 4 Observe the post-installation instructions described on page 36.

To reconfigure the system memory:

The system automatically detects the amount of memory installed. Run the BIOS setup to view the new value for total system memory and make a note of it.

# Installing and removing a power supply

The server has two hot-swap power supply module bays on the rear panel that accept hot-swap redundant power supply modules. The system ships out with only a single power supply module installed. You have the option to purchase an extra power supply module to provide the system with a redundant power source. A redundant power configuration enables a fully-configured system to continue running even if one power supply module fails.



**WARNING!** To reduce the risk of personal injury or damage to the equipment, the installation of power supply modules should be referred to individuals who are qualified to service server systems and are trained to deal with equipment capable of generating hazardous energy levels.

---



**WARNING!** To reduce the risk of personal injury from hot surfaces, observe the thermal labels on each power supply module. You can also consider wearing protective gloves.

---



**WARNING!** To reduce the risk of personal injury from electric shock hazards, do not open the power supply modules. There are no serviceable parts inside the module.

---



**Caution!** Electrostatic discharge can damage electronic components. Make sure that you are properly grounded before handling a power supply module.

---



**Caution!** Due to chassis airflow disruption, a power supply bay should never be vacant for more than two minutes when the server is powered on. Exceeding five minutes might cause the system to exceed the maximum acceptable temperature and possibly damage the system components.

---

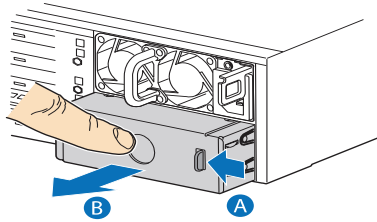


**Caution!** The power supply is only hot-swappable if you have a redundant system with two power supplies installed. If you only have one power supply installed, before removing or replacing the power supply, you must first take the server out of service, turn off all peripheral devices connected to the system, turn off the system by pressing the power button, and unplug the AC power cord from the system or wall outlet.

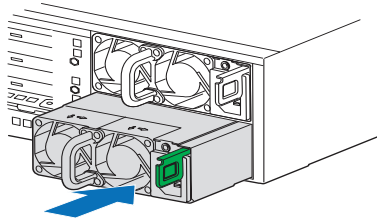
---

## To install a power supply module

- 1 If a filler panel is installed, press the release lever **(A)** and use the finger hole to remove the filler panel out of the bay **(B)**.



- 2 Insert the power supply module into the power supply bay until it locks into place.



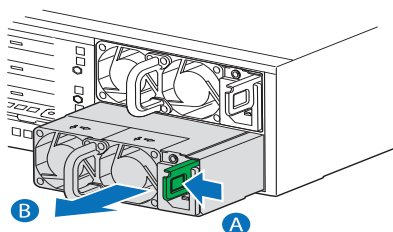
- 3 Plug the power cord into the DC receptacle on the power supply.
- 4 Verify that the LED on the power supply are functioning. Refer to the "Rear panel LED indicators" on page 14 for more information.

## To remove a power supply module

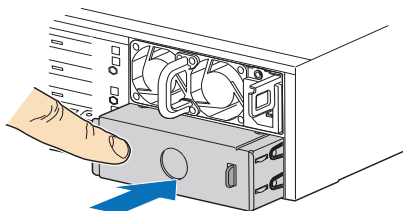


**Caution!** Power supply hot-swap operations should be performed only if a failure occurs in the power supply.

- 1 If there are more than one power supply modules installed, determine which power supply module has failed. Refer to the "Rear panel LED indicators" on page 14 for more information.
- 2 Remove the AC power cord from the power supply being replaced.
- 3 Press the power supply latch to release the power supply module from the chassis **(A)**.
- 4 Pull the power supply module out of the server **(B)**.



- 5 Install a new power supply module or install a filler panel to the empty bay.

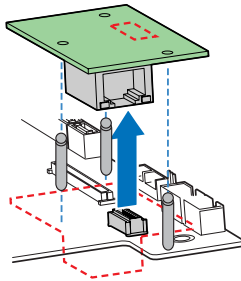


# Removing and installing an ARMC/3 module

The optional ARMC/3 module provides server management firmware and functionality to the system.

To remove an ARMC/3 module:

- 1 Observe the ESD precautions and pre-installation instructions described on page 35.
- 2 Remove the CPU air duct. Perform the instructions described in “To remove the CPU air duct” section on page 42.
- 3 Remove the NIC module.
  - a Pull up the module to remove it from the connector.
  - b Remove the three standoffs from the mainboard, then keep the standoffs for later NIC module installation.

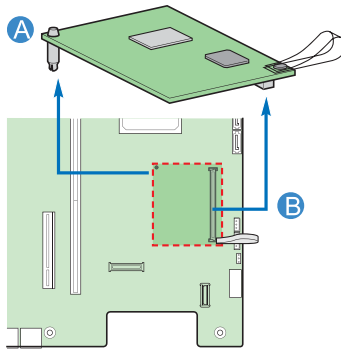


- 4 Hold the module both by the finger grip loop and by the opposite corner **(A)**.



.....  
**Caution:** Do not bend or twist the module.

- 5 Pull up the module to remove it from the connector **(B)**.



- 6 Observe the post-installation instructions described on page 36.

To install an ARMC/3 module:

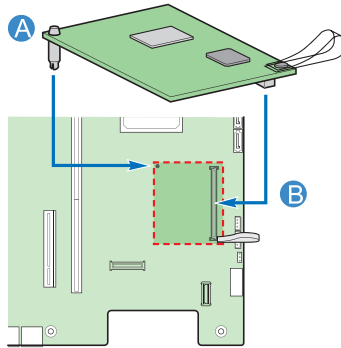


-----

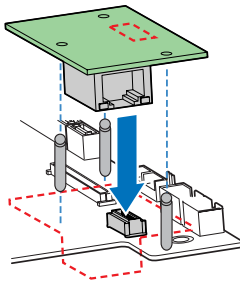
**Note:** Prior to installing the ARMC/3 module, you must remove the server management port cover module cover on the rear of the server.

- 1 Observe the ESD precautions and pre-installation instructions described on page 35.
- 2 Remove the CPU air duct. Perform the instructions described in "To remove the CPU air duct" section on page 42.
- 3 Insert the standoff into the hole in the ARMC/3 module. The standoff installs on the bottom side of the module **(A)**.

- 4 Attach the module to the ARMC/3 module connector on the mainboard and snap the standoff into the matching hole on the mainboard **(B)**.



- 5 Install the NIC module.
  - a Install the three standoffs to the mainboard.
  - b Attach the module to the NIC module connector on the mainboard and matching standoff holes.



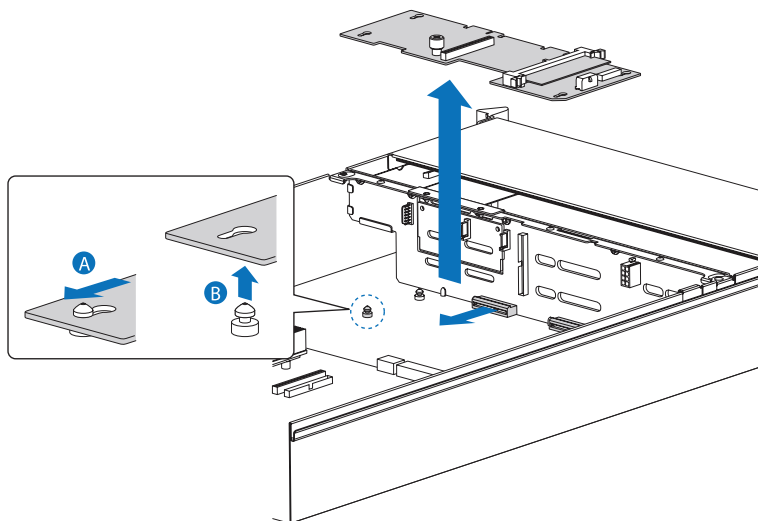
- 6 Observe the post-installation instructions described on page 36.



# Removing and installing the SAS mid-plane board

To remove the SAS mid-plane board:

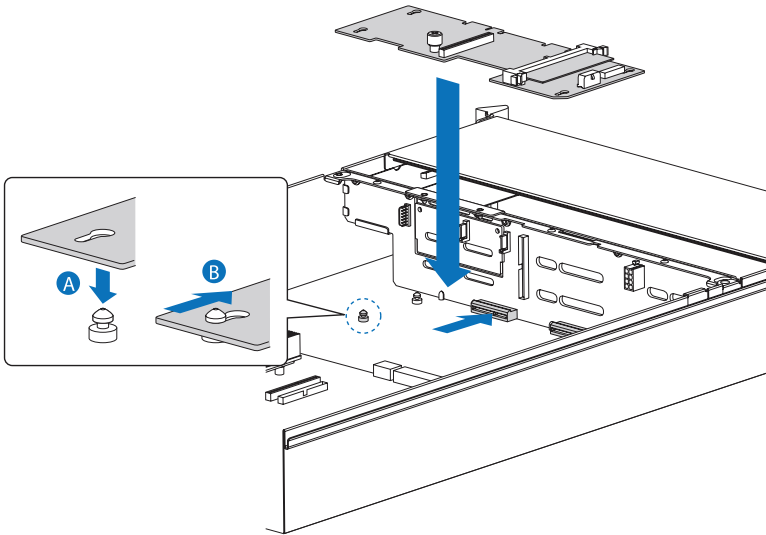
- 1 Observe the ESD precautions and pre-installation instructions described on page 35.
- 2 Remove the air baffles. See "To remove the small air baffle" section on page 45.
- 3 Make sure all hot-plug HDD carriers are removed from the drive bay. For instructions, see "To remove a HDD" section on page 48.
- 4 Disconnect all cables attached to the SAS mid-plane board.
- 5 Hold the SAS mid-plane board by its edges, then slide it back to release it from the backplane board **(A)**.
- 6 Lift the mid-plane board over the retention clips **(B)** and out of the chassis **(C)**.



- 7 Store the mid-plane board in an antistatic protective wrapper.
- 8 Observe the post-installation instructions described on page 36.

## To install the SAS mid-plane board

- 1 Observe the ESD precautions and pre-installation instructions described on page 35.
- 2 Remove the air baffles. See “To remove the small air baffle” section on page 48.
- 3 Position the mid-plane board over the retention clips **(A)**.
- 4 Slide it forward **(B)** and insert the mid-plane into the backplane connector **(C)**.
- 5 Connect the cables to the mid-plane board.



- 6 Observe the post-installation instructions described on page 36.

# Removing and installing the SAS/SATA backplane board

To remove the SAS/SATA backplane board:

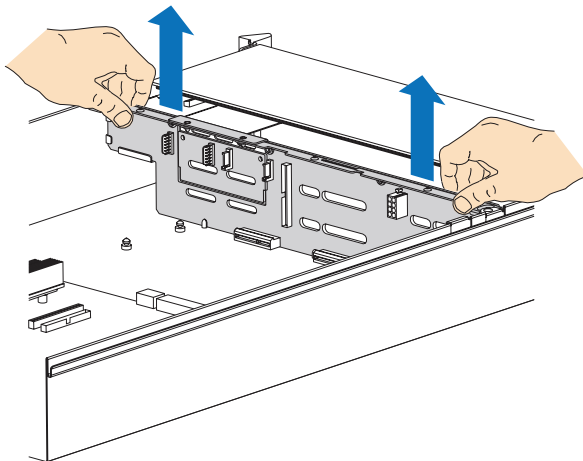
- 1 Observe the ESD precautions and pre-installation instructions described on page 35.
- 2 Remove the air baffles. See "To remove the small air baffle" section on page 45.
- 3 Make sure all hot-plug HDD carriers are removed from the drive bay. For instructions, see "To remove a HDD" section on page 48.
- 4 Disconnect all cables attached to the backplane board.
- 5 Remove the SAS mid-plane board. See previous section.



.....

**Note:** To prevent damage to your system, make sure to remove the mid-plane board first before attempting to remove the backplane board.

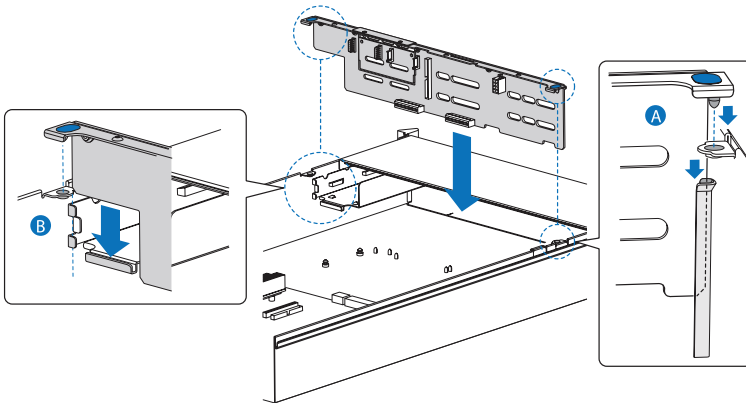
- 6 Hold the backplane board by its edges, then lift it from the chassis.



- 7 Store the backplane board in an antistatic protective wrapper.
- 8 Observe the post-installation instructions described on page 36.

To install the SAS/SATA backplane board:

- 1 Observe the ESD precautions and pre-installation instructions described on page 35.
- 2 Remove the air baffles. See "To remove the small air baffle" section on page 45.
- 3 Make sure all hot-plug HDD carriers are removed from the drive bay. For instructions, see "To remove a HDD" section on page 48.
- 4 Hold the backplane board only by the edges. Do not push or pull on any components on the backplane. Set the backplane in place at the front of the server system, with the sides of the board resting in the guides at the left and right sides of the server unit.
- 5 Slide the backplane board into the server system guides at the left and right sides of the server system until the pins at the left and right sides of the backplane bracket are fully inserted into the matching holes in the server system.



- 6 Observe the post-installation instructions described on page 36.

# Configuring the integrated SAS hardware RAID components

The system supports hardware RAID through the SAS mid-plane and backplane board. The server platform supports RAID 0, 1, 5, 10, and 50 levels. Functionality for hardware RAID is enabled by using the following components:

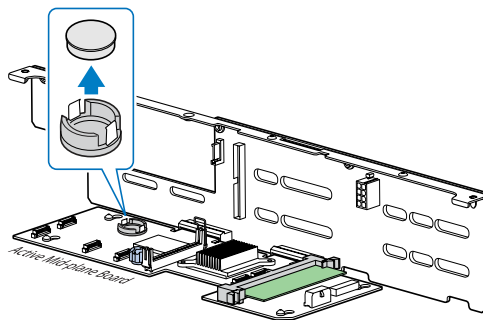
- RAID activation key
- RAID cache

There is also an option to install the RAID BBU. If power to the storage I/O processor drops below specifications, the RAID BBU maintains the contents of the DIMM by keeping the DIMM in self-refresh mode until power is restored. After power is restored, data can be safely written to drives, maintaining the integrity of the disk array.

## Removing and installing the RAID activation key

To remove the RAID activation key:

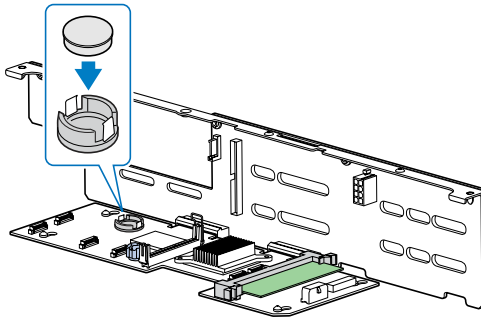
- 1 Observe the ESD precautions and pre-installation instructions described on page 35.
- 2 Remove the air baffles. See “To remove the small air baffle” section on page 45.
- 3 Insert the tip of a small flat-bladed screwdriver under the plastic tab on the retainer holding the activation key to the SAS mid-plane board.
- 4 Gently push down to detach the activation key.



- 5 Store the activation key in an anti-static bag.
- 6 Observe the post-installation instructions described on page 36.

To install the RAID activation key:

- 1 Observe the ESD precautions and pre-installation instructions described on page 35.
- 2 Remove the RAID activation key from its protective packaging.
- 3 Align then insert the activation key into the RAID activation key connector on the SAS mid-plane board.



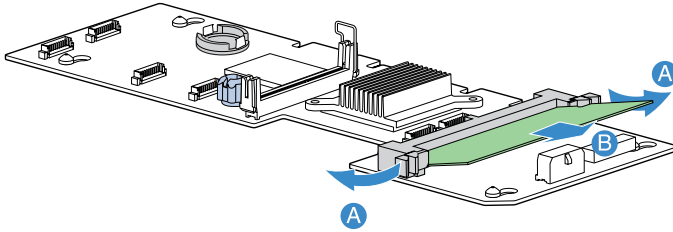
- 4 Observe the post-installation instructions described on page 36.

## Removing and installing the RAID cache

To remove the RAID cache:

- 1 Observe the ESD precautions and pre-installation instructions described on page 35.
- 2 Remove the air baffles. See "To remove the small air baffle" section on page 45.
- 3 Press the holding clips on both sides of the slot outward to release the RAID cache **(A)**.

- 4 Gently pull the RAID cache upward to remove it from the slot **(B)**.



- 5 Close the clips.
- 6 Replace the air baffles and CPU air duct.
- 7 Observe the post-installation instructions described on page 36.

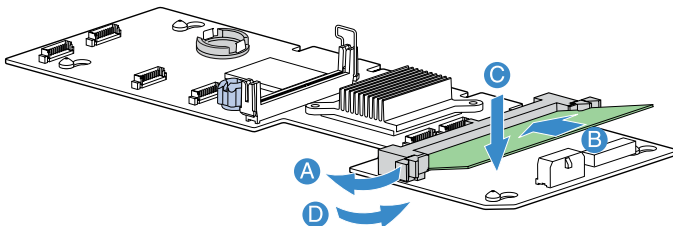
To install the RAID cache:

- 1 Observe the ESD precautions and pre-installation instructions described on page 35.
- 2 Remove the air baffles. See "To remove the small air baffle" section on page 45.
- 3 Locate the RAID cache memory (DDR-2) slot on the SAS mid-plane board.
- 4 Open the clips on the slot.
- 5 Align then insert the RAID cache into the slot **(A)**.
- 6 Press the holding clips inward to lock the RAID cache in place **(B)**.



.....

**Note:** Both the RAID activation key and the RAID cache is required to activate the hardware RAID. For instructions on installing the RAID activation key, see page 92.

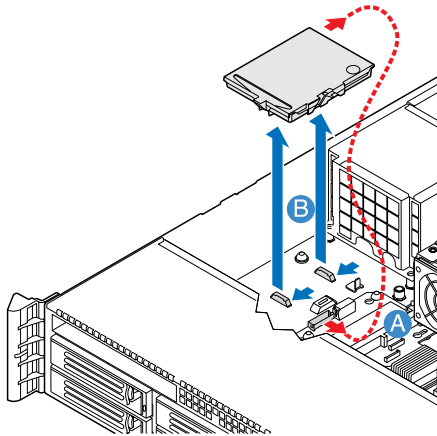


- 7 Observe the post-installation instructions described on page 36.

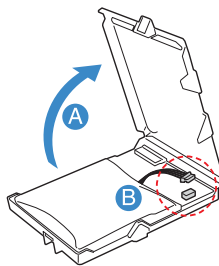
## Removing and installing the RAID BBU

To remove the RAID BBU:

- 1 Observe the ESD precautions and pre-installation instructions described on page 35.
- 2 Remove the air baffles. See "Removing and installing the air baffles" section on page 42.
- 3 Disconnect the battery cable from the SAS mid-plane board **(A)** and detach it from the chassis **(B)**.



- 4 Remove the battery holder from the chassis.
- 5 Open the battery holder **(A)**, then detach the cable inside the battery pack **(B)**.



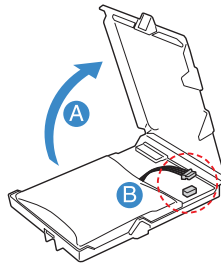
- 6 Remove the RAID BBU from the chassis.
- 7 Replace the air baffles and CPU air duct.



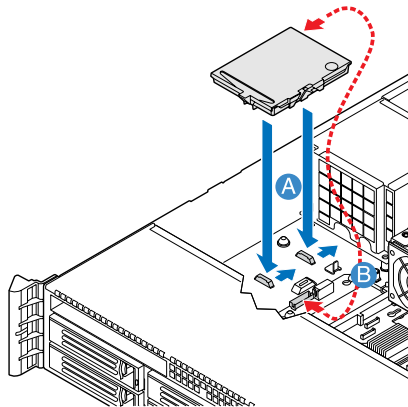
- 8 Observe the post-installation instructions described on page 36.

## To install the RAID BBU

- 1 Observe the ESD precautions and pre-installation instructions described on page 35.
- 2 Remove the air baffles. See "To remove the small air baffle" section on page 45.
- 3 Open the battery holder **(A)**, then connect the cable inside the battery pack **(B)**.



- 4 Secure the battery cable to its chassis holder **(A)**.
- 5 Attach the cable to the RAID BBU connector on the SAS mid-plane board **(B)**.



- 6 Engage the hooks on the back of the battery into the matching chassis tabs, then slide it toward the power supply to lock into place.
- 7 Connect the power cable between the BBU and the mid-plane board.
- 8 Replace the air baffles and CPU air duct.
- 9 Observe the post-installation instructions described on page 36.

# 4 BIOS setup

This chapter gives information about the system BIOS and discusses how to configure the system by changing the settings of the BIOS parameters.

# BIOS setup

BIOS setup is a hardware configuration program built into the system's Basic Input/Output System (BIOS). Since most systems are already properly configured and optimized, there is no need to run this utility. The BIOS setup utility stores basic settings for your server. You will need to run this utility under the following conditions:

- When changing the system configuration
- When a configuration error is detected by the system and you are prompted ("Run Setup" message) to make changes to the BIOS setup



.....

**Note:** If you repeatedly receive Run Setup messages, the battery may be bad. In this case, the system cannot retain configuration values in CMOS. Ask a qualified technician for assistance.

- When redefining the communication ports to prevent any conflicts
- When changing the password or making other changes to the security settings

BIOS setup loads the configuration values in a battery-backed nonvolatile memory called CMOS RAM. This memory area is not part of the system RAM which allows configuration data to be retained when power is turned off.

Before you run BIOS setup, make sure that you have saved all open files. The system reboots immediately after you close the setup.

# Entering BIOS setup

Power on the server to start the system POST process. During bootup, press **F2** to enter the BIOS setup screen.



-----

**Note:** You must press **F2** while the system is booting. This key does not work during any other time.

There are several tabs on the setup screen corresponding to the eight primary BIOS menus.

- Main
- Advanced
- Security
- Server Management
- Boot Options
- Boot Manager
- Error Manager
- Exit

The parameters on the screens shown in this User's Guide display default system values. These values may not be the same as those in the system.

Note the following reminders when moving around the setup screen.

- Use the **Left** and **Right** arrow keys to move to the next page or to return to the previous screen.
- Use the **Up** and **Down** arrow keys to select an item.
- Use the **+** and **-** keys to select an option.



-----

**Note:** You can configure a parameter that is enclosed in square brackets. Grayed-out items have fixed settings and are not user-configurable.

- Use the **Enter** key to display a submenu screen.



-----

**Note:** When a parameter is preceded by a **[>]**, it means that a submenu screen is available.

- Press **F1** for General Help on using the BIOS setup.
- Press **F9** to load the default configuration.
- Press **F10** to save changes and close the BIOS setup.
- Press **Esc** to close the BIOS setup.

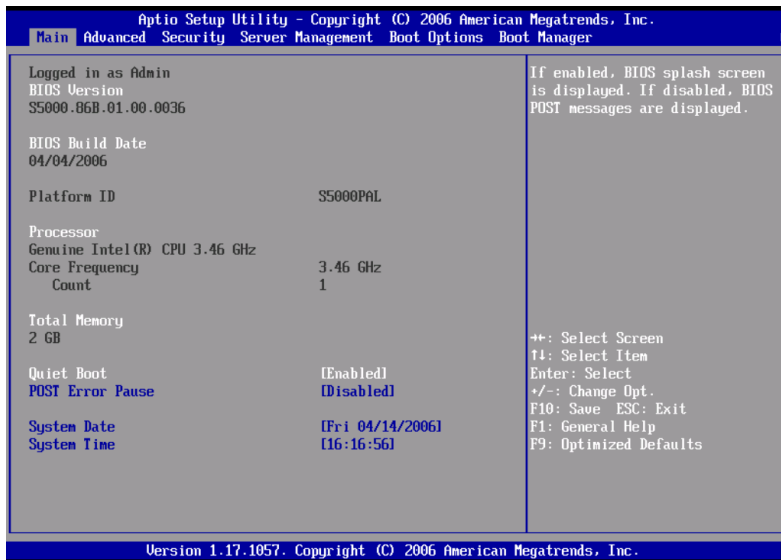
In the descriptive table following each of the screen illustrations, settings in **boldface** are the default and suggested parameter settings.

# Using the BIOS menus

## Main

The Main menu displays basic and important information about the system. These information are necessary for troubleshooting and may be required when asking for technical support. These entries are for your reference only and are not user-configurable.

The System Date and System Time parameters lets you define the system's time and date settings. The real-time clock keeps the system date and time. After setting the date and time, you do not need to enter them every time you turn on the system. As long as the internal battery remains good and connected, the clock continues to keep the date and time accurately even when the power is off.



Parameter	Description	Option
BIOS Version	Version of the BIOS.	
BIOS Build Date	Date BIOS was created.	



Parameter	Description	Option
Processor	Specification of the processor currently installed in the server.	
Total Memory	Indicates the size of the system memory.	
Quiet Boot	When Enabled, the BIOS splash screen is displayed during startup. When Disabled, the diagnostic messages are displayed during startup.	<b>Enabled</b> Disabled
POST Error Pause	If Enabled, the system will pause if an error is found during POST.	<b>Enabled</b> Disabled
System Date	Sets the date following the month-day-year format. Valid values for weekday, month, day, and year are: Month: Jan, Feb, Mar, Apr, May, Jun, Jul, Aug, Sep, Oct, Nov, Dec Day: 1 to 31 Year: 1998 to 2099	
System Time	Sets the time following the hour-minute-second format. Valid values for hour, minute, and second are: Hour: 00 to 23 Minute: 00 to 59 Second: 00 to 59	

## Advanced

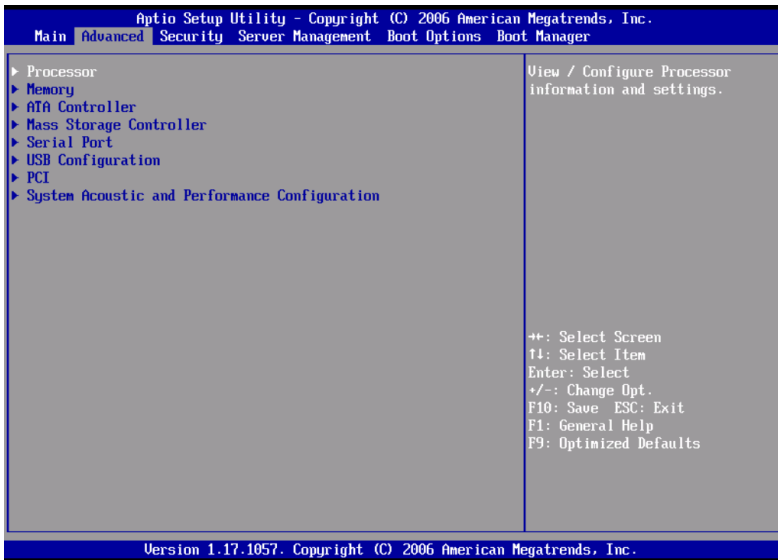
The Advanced menu contains parameter values that define how the system behaves on startup.



.....

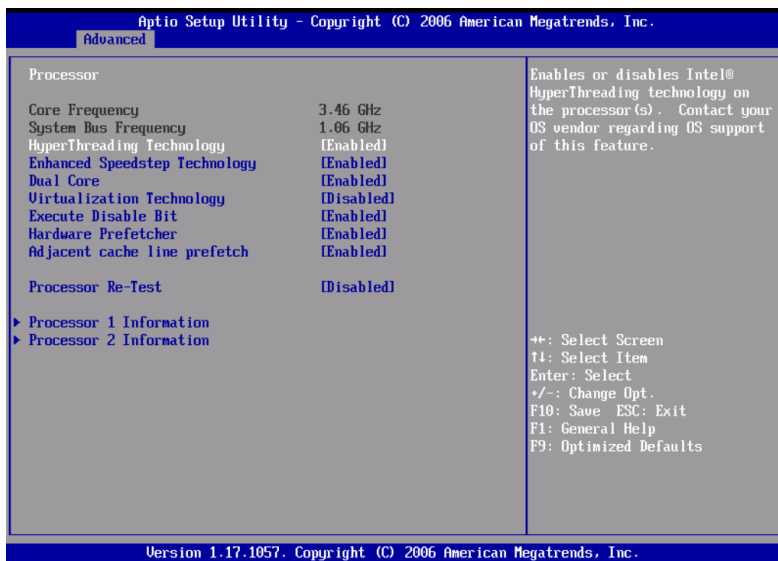
**Warning! Be cautious in setting parameter values in the Advanced menu as any incorrect value may cause the system to malfunction.**

Press **Enter** to enter the submenu screen of the parameters shown in the screen below.



## Processor

The Processor submenu displays CPU settings such as type, actual speed, cache size and other CPU related settings.

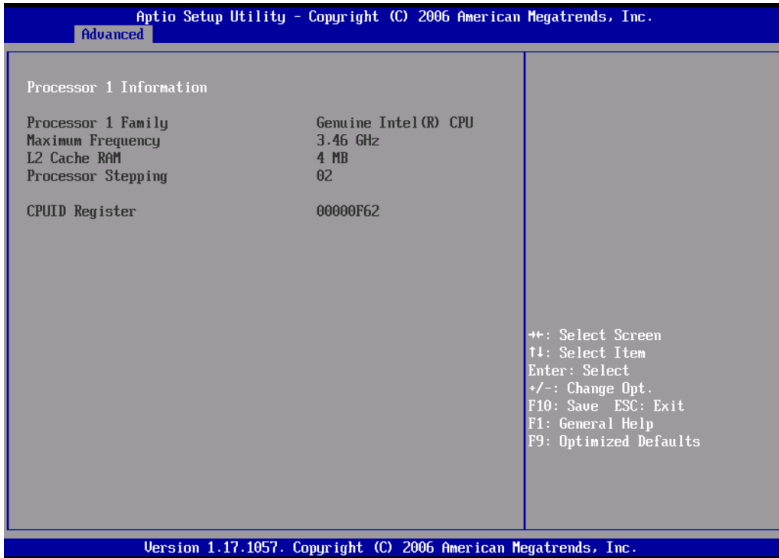


Parameter	Description	Option
Core Frequency	Indicates the processor clock speed.	
System Bus Frequency	Indicates the processor front side bus speed.	
Hyper Threading Technology	Enables or disables the Hyper-Threading Technology function of the processor.	<b>Enabled</b> Disabled
Enhanced Intel SpeedStep Technology	When set to Auto, this feature allows the OS to reduce power consumption. When set to Disabled, the system operates at maximum CPU speed.	<b>Auto</b> Disabled
Dual Core	Enables or disables the secondary processor core.	<b>Enabled</b> Disabled

Parameter	Description	Option
Virtualization Technology	Enables or disables the system to run multiple operating systems and applications in different partition.	<b>Disabled</b> Enabled
Execute Disable Bit	When Enabled, the processor disables code execution when a worm attempts to insert a code in the buffer preventing damage and worm propagation. When Disabled, the processor forces the Execute Disable Bit feature flag to always return to 0. <b>Note:</b> This parameter is hidden if the processor does not support this function.	<b>Enabled</b> Disabled
Hardware Prefetcher	Enables or disables the speculative prefetch unit within the processor(s). <b>Note:</b> Changing this feature may affect system performance.	<b>Enabled</b> Disabled
Adjacent Cache Line Prefetch	When Enabled, cache lines are fetched in pairs (even line + odd line) When Disabled, only current cache line required is fetched. <b>Note:</b> Changing this feature may affect system performance.	<b>Enabled</b> Disabled
Processor Re-Test	When Enabled, all processors will be activated and retested on the next boot. This option will be automatically reset to disable on the next boot.	<b>Disabled</b> Enabled
Processor # Information	Press <b>Enter</b> to access the Processor # Information submenu.	

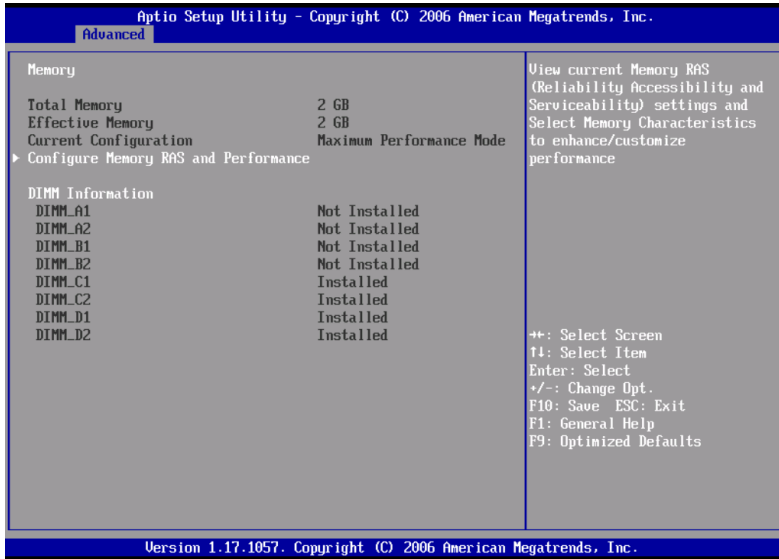
## Processor # Information

The screen below appears when you select the Processor #1 or 2 Information menu.



## Memory

The Memory submenu displays the total amount of memory installed, the number of memory modules installed, and the current memory configuration.

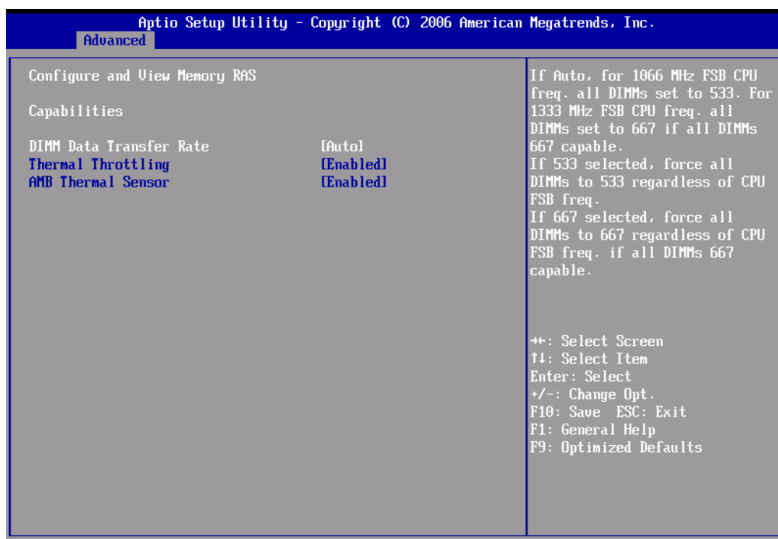


Parameter	Description
Total Memory	Indicates the total amount of onboard memory. The memory size is automatically detected by BIOS during the POST. If you install additional mamory, the system automatically adjusts this parameter to display the new memory size.
Effective Memory	Indicates the total effective memory installed in the server.
Current Configuration	Displays the current memory configuration.
Configure Memory RAS and Performance	Press <b>Enter</b> to access the Configure Memory RAS and Performance submenu.

Parameter	Description
DIMM information	Indicates the DIMM and DIMM slot status.

## Configure Memory RAS and Performance

The screen below appears when you select the Configure Memory RAS and Performance menu. This submenu allows you to view memory configuration details and configure the memory modules in the server.



Parameter	Description	Option
DIMM Data Transfer Rate	When set to Auto, the data transfer rate for all DIMMs will be set to 533 (for 1066 MHz FSB CPU frequency) or 667 MHz (for 1333 MHz FSB CPU frequency). When set to 533, the data transfer rate for all DIMMs will be forced to 533 MHz regardless of FSB frequency. When set to 667, the data transfer rate for all DIMMs will be forced to 667 MHz regardless of FSB frequency.	<b>Auto</b> 533 667

Parameter	Description	Option
Thermal Throttling	Enables or disables thermal throttling. When disabled, the chipset and BIOS will not perform any electrical throttling on overheated DIMMs.	<b>Enabled</b> Disabled
AMB Thermal Sensor	Controls the operation of the thermal sensors on the advanced memory buffers. When disabled, thermal throttling option will also be disabled.	<b>Enabled</b> Disabled

## ATA Controller

The ATA Controller submenu lets you define the parameter settings related to the hard disk(s).



Parameter	Description	Option
Onboard PATA Controller	Enables or disables the integrated parallel ATA controller.	<b>Enabled</b> Disabled



Parameter	Description	Option
Onboard SATA Controller	Enables or disables the integrated Serial ATA controller.	<b>Enabled</b> Disabled
SATA Mode	When set to Enhanced, it will enable all SATA connectors as individual connectors.  When set to Legacy, it will enable primary and secondary channels on SATA connectors.	<b>Enhanced</b> Legacy
AHCI Mode	Enables or disables access to all six SATA connectors via the AHCI (Advanced Host Controller Interface) Option ROM. AHCI is an interface specification that allows the storage driver to enable advanced SATA features such as Native Command Queuing and hot plug.  <b>Note:</b> Requires an AHCI aware OS.	<b>Disabled</b> Enabled
Configure SATA as RAID	Enables or disables the software RAID technology Option ROM within the ESB2-E controller.	<b>Disabled</b> Enabled
Primary IDE Master	Indicates the controller that is set as primary master.	
Primary IDE Slave	Indicates the controller that is set as primary slave.	
SATA Port 0, 1, 2, 3	Indicates the SATA HDD connected to the SATA connector.	

## Mass Storage

The Mass Storage submenu displays the status of the mass storage controller.



Parameter	Description	Option
SAS Controller	Enables or disables the SAS controller.	<b>Enabled</b> Disabled
SAS Option ROM	If enabled, initializes the the embedded SAS device Option ROM.	<b>Enabled</b> Disabled
Configure SAS as SW RAID	Enables or disables the Embedded Server RAID Technology on the SAS connectors.	<b>Disabled</b> Enabled
ROMB setup	Indicates if integrated RAID is enabled or not.	
RAID Activation Key	Indicates if the RAID activation key is installed or not.	

## Serial Port

The Serial Port submenu lets you define the parameter settings for the system's serial port.



Parameter	Description	Option
Serial A Enable	Enables or disables the onboard serial A port.	<b>Enabled</b> Disabled
Address	Set the base I/O address for the serial B port.	<b>2F8</b> 3E8 2E8 3F8
IRQ	Set the interrupt request line for the serial B port.	<b>3</b> 4

## USB Configuration

The USB Configuration submenu allows you specify settings for USB devices.

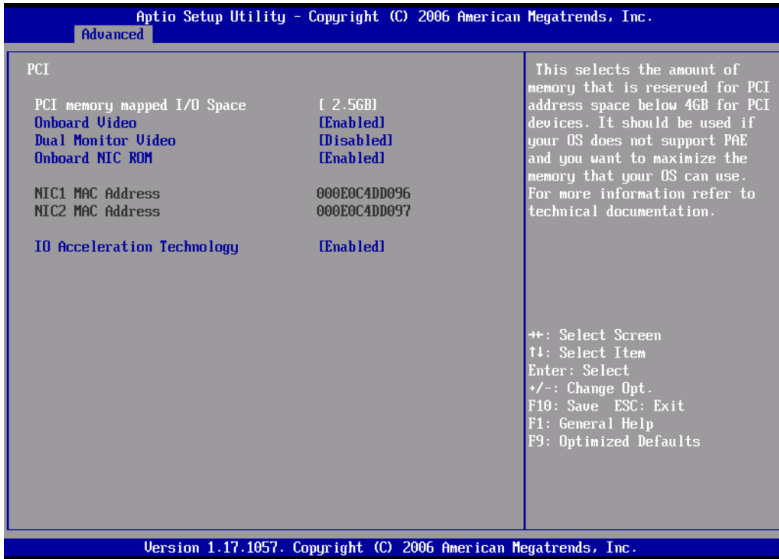


Parameter	Description	Option
USB Controller	Enables or disables the USB controller. If disabled, all the USB controllers will be turned off and inaccessible to the OS.	<b>Enabled</b> Disabled
Legacy USB Support	Enables or disables the support for legacy USB devices.	<b>Enabled</b> Disabled
Port 60/64 Emulation	Enables or disables the I/O port 60/64h emulation support. This parameter is enabled for complete USB keyboard legacy support for non-USB aware OS.	<b>Enabled</b> Disabled
Device Reset Timeout	Select the number of seconds POST waits for the USB mass storage device after the start unit command.	<b>20 Sec</b> 10 Sec 30 Sec 40 Sec

<b>Parameter</b>	<b>Description</b>	<b>Option</b>
Storage Emulation	When set to Auto, USB mass storage devices with less than 530 MB will be emulated as a floppy and the remaining as hard drives. The Forced FDD option can be used to force a formatted HDD to boot as a FDD.	<b>Auto</b> Floppy Forced FDD CD-ROM Hard Disk
USB 2.0 Controller Mode	Sets the transfer rate at Hi Speed (480 Mbps) or Full Speed (12 Mbps).	<b>High Speed</b> Low Speed

## PCI

The PCI submenu lets you specify settings that are related to the onboard controllers. enable or disable the ROM scan of a device installed in the selected PCI slot. It also enables or disables posting of a 16-bit legacy ROM from the plug-in fiber channel card.



Parameter	Description	Option
PCI Memory Mapped IO Space	This selects the amount of memory that is reserved for PCI address space below 4GB for PCI devices.	<b>2.5 GB</b> 3.0 GB 3.5 GB
Onboard Video	Enables or disables the onboard VGA controller.	<b>Enabled</b> Disabled
Dual Monitor Video	Select a graphic controller as a primary boot device. <b>Note:</b> This parameter will be disabled when the Onboard Video is set to Disabled.	<b>Disabled</b> Enabled

Parameter	Description	Option
Onboard NIC ROM	Enables or disables both channels of the embedded LAN. <b>Note:</b> If disabled, NIC1 and NIC2 cannot be used to boot the system.	<b>Enabled</b> Disabled
NIC 1 or 2 MAC Address	Indicates the media access control of the system's LAN controller.	
I/O Acceleration Technology	Enables or disables the onboard LAN's I/O Acceleration Technology.	<b>Enabled</b> Disabled

## System Acoustic and Performance Configuration

The System Acoustic and Performance Configuration submenu lets you set the system fan performance option.

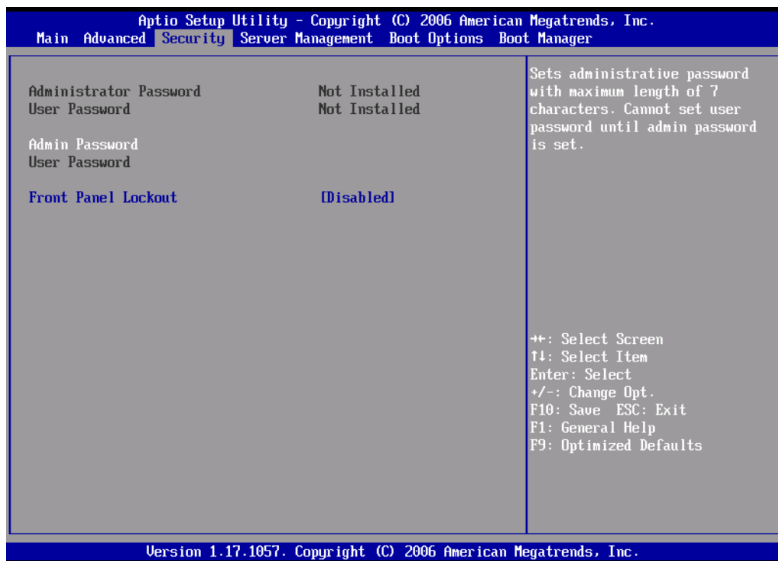


Parameter	Description	Option
Set Fan Profile	Select the Fan Control Profile that will be used to cool the system.	<b>Performance</b>
Altitude	<p>When set to less than 300 m (&lt;= 980 ft), it will provide the best performance option for servers operating at or near sea level.</p> <p>When set to 301m - 900m (980 ft - 2950 ft), it will provide the best performance option for servers operating at moderate altitudes above sea level.</p> <p>When set to higher than 900m (&gt;2950 ft), it will provide the best performance option for servers operating at high elevations above sea level.</p>	<p><b>301 m - 900 m</b></p> <p>Less than 300 m</p> <p>Higher than 900 m</p>



## Security

The Security menu allows you to safeguard and protect the system from unauthorized use by setting up access passwords.



Parameter	Description	Option
Administrator Password	Prevents unauthorized access to the BIOS setup utility.	<b>Not Installed</b> Installed
User Password	Secures the system against unauthorized use. Once you set this password, you have to type it whenever you boot the system. User password is available only when an Administrator password is set.	<b>Not Installed</b> Installed
Administrator Password	Press <b>Enter</b> to change the Administrator password.	
User Password	Press <b>Enter</b> to change the User password.	

Parameter	Description	Option
Front Panel Lockout	When Enabled, the front panel power and reset buttons will be locked. The power and reset operation must be controlled via system management interface.	<b>Disabled</b> Enabled

### To set a Administrator/User password

- 1 Use the up/down keys to highlight a password parameter (Set Administrator Password or Set User Password) then press **Enter**.  
A password box will appear.
- 2 Type a password then press **Enter**.  
The password may consist of up to seven alphanumeric characters (A-Z, a-z, 0-9).
- 3 Retype the password to verify the first entry then press **Enter** again.  
After setting the password, the system automatically sets the chosen password parameter to **Installed**.

### To change the Administrator/User password

- 1 Use the up/down keys to highlight either change password parameters (Change Administrator Password or Change User Password) then press **Enter**.
- 2 Type the original password then press **Enter**.
- 3 Type a new password then press **Enter**.
- 4 Retype the password to verify the first entry then press **Enter** again.

### To remove the User password

- 1 Use the up/down keys to highlight the Clear User Password parameter then press **Enter**.
- 2 Enter the current password then press **Enter**.
- 3 Press **Enter** twice without entering anything in the new and confirm password fields.  
After doing this, the system automatically sets the User password parameter to **Not Installed**.

## Server Management

The Server Management submenu lets you specify the appropriate settings for the system's event handling function.

The system event log enables you to record and monitor events that occur in the system (eg., system temperature changes, fan stops, over-temperature, over-voltage, fan failures, etc.).



Parameter	Description	Option
Assert NMI on SERR	Enables or disables the PCI bus SERR (system error) support.	<b>Enabled</b> Disabled
Assert NMI on PERR	Enables or disables the PCI bus PERR (parity error) support. <b>Note:</b> This parameter is disabled when the NMI on SERR is disabled.	<b>Enabled</b> Disabled

Parameter	Description	Option
Resume on AC Power Loss	<p>Defines the mode of operation if a power loss occurs.</p> <p>When set to Stay Off, the system remains off after power shutdown.</p> <p>When set to Last State, the system returns to the state it was prior to the AC power loss.</p> <p>When set to Reset, the system will turn on after power is restored.</p>	<p><b>Stay Off</b></p> <p>Last State</p> <p>Reset</p>
Clear System Event Log	Deletes all events in the System Event Log.	
FRB-2 Enable	When Enabled, the BMC (Baseboard Management Controller) will reset the system if BIOS does not complete the POST before the FRB-2 (Fault Resilient Booting) timer expires.	<p><b>Enabled</b></p> <p>Disabled</p>
O/S Boot Watchdog Timer	<p>Enables or disables the BIOS timer. It helps to determine if the OS has loaded successfully or followed the OS boot watchdog timer policy.</p> <p>The BIOS timer can only be shut off using the management software after the OS loads.</p>	<p><b>Disabled</b></p> <p>Enabled</p>
Console Redirection	Press <b>Enter</b> to access the Console Redirection submenu.	
System Information	Press <b>Enter</b> to access the System Information submenu.	

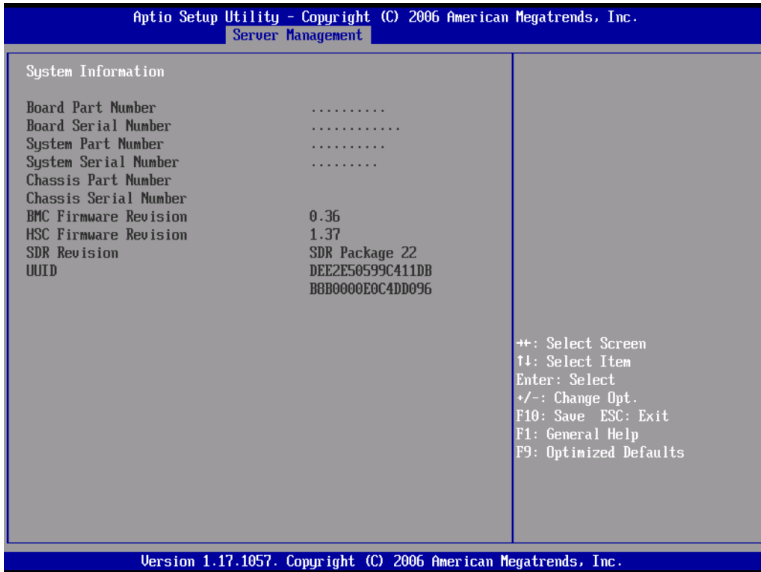
## Console Redirection

The Console Redirection submenu lets you enable or disable the console redirection parameters for server management tasks over the serial port.



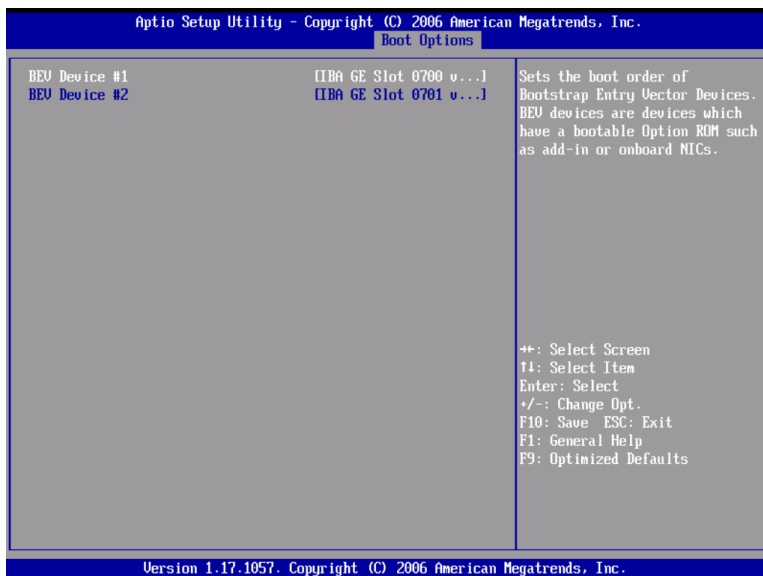
## System Information

The System Information submenu displays basic information about the server unit.



## Boot Options

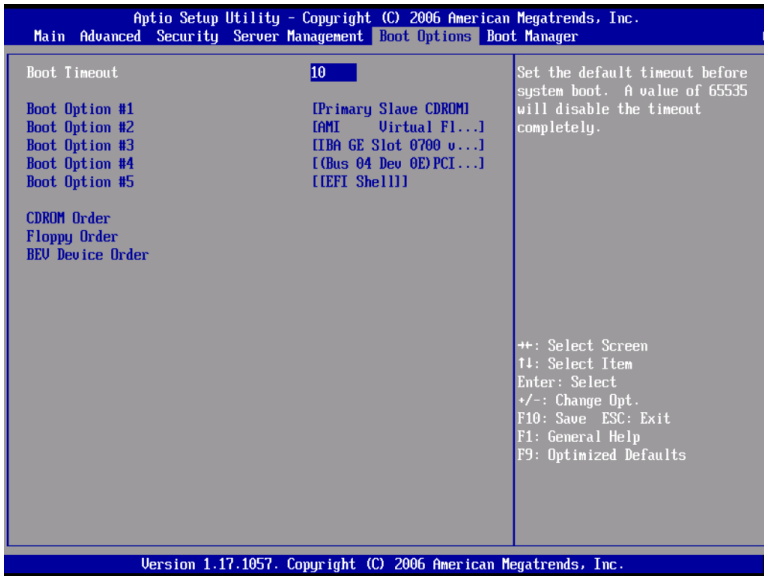
The Boot Options menu allows you to set the BEV device priority during system bootup. It also displays information about the installed storage devices.



Parameter	Description	Option
BEV Device #	Sets the boot order of the Bootstrap Entry Vector Devices. BEV devices are devices which have a bootable Option ROM such as a network card or onboard network controller. Press <b>Enter</b> to access the BEV Device # submenu.	

## BEV Device #

The BEV Device # submenu lets you specify the preferred settings for system bootup.



Parameter	Description	Option
Boot Timeout	Sets the automatic boot time-out value. <b>Note:</b> A value of 65535 will disable the timeout completely.	<b>10</b> 1
Boot Option 1	Sets the device from which the system will first attempt to boot up.	
Boot Option 2	Sets the device from which the system will attempt to boot up when the first attempt failed.	
Boot Option 3, 4, or 5	Sets the device from which the system will attempt to boot up when the first, second, third, and fourth attempts failed.	



<b>Parameter</b>	<b>Description</b>	<b>Option</b>
CD-ROM Order	Specifies the boot device priority sequence for available CD drives.	
Floppy Order	Specifies the boot device priority sequence for available FDD.	
BEV Device Order	Specifies the boot device priority sequence for available BEV devices.	

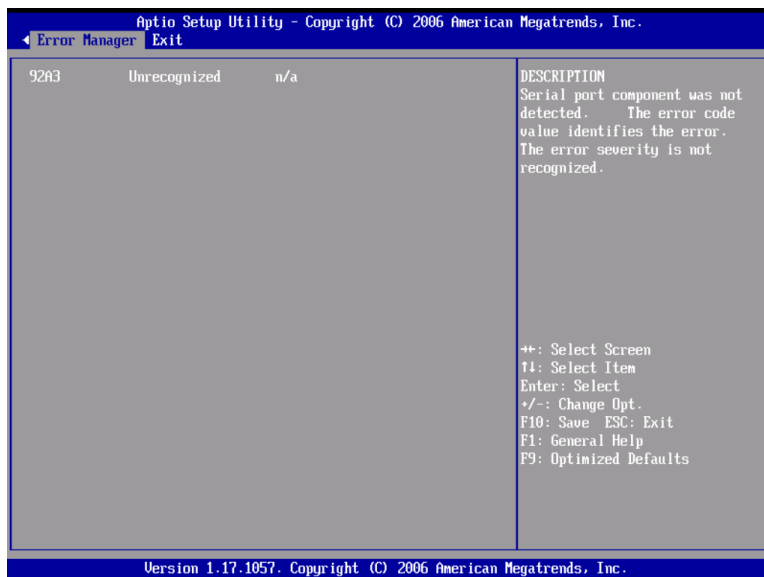
## Boot Manager

The Boot Manager menu lets you set the device priority during system bootup. The server will attempt to boot from the first device on the list. If the first device is not available, it will continue down the list until it reaches an available device. Select a boot option, then press **Enter**.



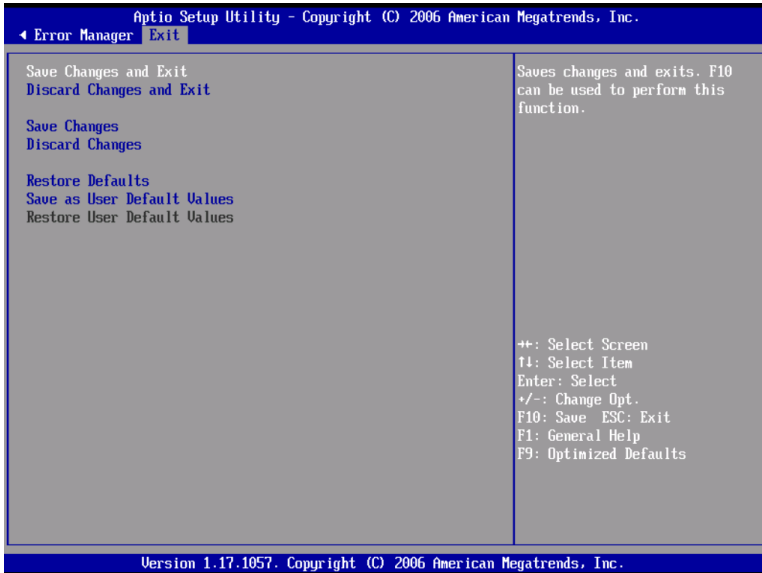
## Error Manager

The Error Manager menu lets you view the system POST errors detected by the system.



## Exit

The Exit menu displays the various options to quit from the BIOS setup. Highlight any of the exit options then press **Enter**.



Parameter	Description
Save Changes and Exit	Saves changes made and close the BIOS setup.
Discard Changes and Exit	Discards changes made and close the BIOS setup.
Save Changes	Saves changes made in the BIOS setup.
Discard Changes	Discards all changes made in the BIOS setup.
Restore Defaults	Loads the default settings for all BIOS setup parameters. Setup defaults are quite demanding in terms of resources consumption. If you are using low-speed memory chips or other kinds of low-performance components and you choose to load these settings, the system might not function properly.
Save as User Default Values	Saves current values to be restored later.

<b>Parameter</b>	<b>Description</b>
Restore User Default Values	Restores previously saved user default values.

---

# Upgrading the BIOS

The upgrade utility allows you to upgrade the BIOS in the flash memory. To prepare to upgrade the BIOS, you need to record the current BIOS settings and download the BIOS image file to a temporary folder on your hard drive or a USB flash memory device.

To record the current BIOS settings:

- 1 Run BIOS setup. See “Entering BIOS setup” on page 100.
- 2 Write down the current settings in the BIOS setup utility.

To download the BIOS image file:

Download the image file to a temporary folder on your hard drive or a USB flash memory device.



-----

**Note:** Review the instructions and release notes that are provided in the Readme file distributed with the BIOS image file before attempting a BIOS upgrade. The release notes contain critical information regarding jumper settings, specific fixes, or other information to complete the upgrade.

To upgrade the BIOS:

Follow the instructions in the Readme file that came with the BIOS upgrade. When the update completes, remove the bootable media from which you performed the upgrade.



-----

**Note:** Do not power down the system during the BIOS update process. The system will reset automatically when the BIOS update process is completed. You may encounter a CMOS checksum error or other problem after reboot. If this happens, shut down the system and boot it again. CMOS checksum errors require that you enter Setup, check your settings, save your settings, and exit Setup.

# 5 Troubleshooting

This chapter provides possible solutions for specific problems. If you cannot correct the problem, contact your local Acer representative or authorized dealer for assistance.



# Troubleshooting

This chapter helps you identify and solve problems that might occur while you are using the system.

For any issue, first ensure that you are using the latest firmware and files. Firmware upgrades include updates for BIOS, the BMC, and the hot-swap controller. In addition to the server firmware and files, make sure to update any drivers used for components you have installed in your system, such as video drivers, network drivers and SAS drivers.

If you are unable to resolve your server problems on your own, contact your dealer or local Acer representative for assistance.

## Resetting the system

Before going through in-depth troubleshooting, attempt first to reset the system using one of the methods below.

To do this	Press
Soft boot reset to clear the system memory and reload the operating system.	Ctrl+Alt+Del
Clear system memory, restart POST, and reload the OS.	Reset button
Cold boot reset. Turn the system power off and then on. This clears system memory, restarts POST, reloads the OS and halts power to all peripherals.	Power button

## Problems following initial system installation

Problems that occur at initial system startup are usually caused by an incorrect installation or configuration. Hardware failure is a less frequent cause. If the problem you are experiencing is with a specific software application, see "There is problem with the application software" on page 143.

## First steps checklist

- AC power available at the wall outlet?
- Are the power supplies plugged in? Check the AC cable(s) on the back of the chassis and at the AC source.
- Are all cables correctly connected and secured?
- Is the processor fully seated in the socket on the mainboard?
- Are all standoffs in the proper location and not touching any components, causing a potential short?
- Are all expansion boards fully seated in their slots on the PCI riser assembly?
- Are all jumper settings on the mainboard correct?
- Are all jumper and switch settings on expansion boards and peripheral devices correct? If applicable, ensure that there are no conflicts - for example, two expansion boards sharing the same interrupt.
- Are all peripheral devices installed correctly?
- Are all device drivers properly installed?
- Are the configuration settings made in the BIOS setup correct?
- Is the operating system properly loaded? Refer to the operating system documentation.
- Did you press the system power button on the front panel to turn the server on (power indicator should be lit)?
- Is the system power cord properly connected to the system and plugged into an outlet for 100-127 V or 200-240 V?
- Are all integrated components from the tested components lists? Check the tested memory, and chassis lists, as well as the supported hardware and operating system list.

## Hardware diagnostic testing

This section provides a more detailed approach to identifying a hardware problem and locating its source.



-----

**Caution!** Before disconnecting any peripheral cables from the system, turn off the system and any external peripheral devices. Failure to do so can cause permanent damage to the system and/or the peripheral device.

- 1 Turn off the system and all external peripheral devices. Disconnect each of device from the system, except for the keyboard and the video monitor.
- 2 Make sure the system power cord is plugged into a properly grounded AC outlet.
- 3 Make sure your video display monitor and keyboard are correctly connected to the system. Turn on the video monitor. Set its brightness and contrast controls to at least two thirds of their maximum ranges (see the documentation supplied with your video display monitor).
- 4 If the operating system normally loads from the hard disk drive, make sure there is no diskette in the FDD or disc in the optical drive.
- 5 If the power indicator does light, attempt to boot from a diskette or disc.
- 6 Turn on the system. If the power indicator does not light, see "Power indicator does not light" on page 138.

## Verifying proper operation of key system lights

As POST determines the system configuration, it tests for the presence of each mass storage device installed in the system. As each device is checked, its activity light should turn on briefly. Check if the HDD activity indicator lights briefly? If not, see "HDD activity indicator does not light." on page 139.

## Confirming loading of the OS

Once the system boots up, the operating system prompt appears on the screen. The prompt varies according to the operating system. If the operating system prompt does not appear, see "No Characters Appear on Screen" on page 143.

## Specific problems and corrective actions

The following contains specific problems that may arise during the use of your server. Possible solutions are listed for each problem.

### Power indicator does not light.

Do the following:

- Make sure the power button on the control panel is turned on.
- Make sure the power cord is connected correctly.
- Make sure that the wall outlet has power. Test it by plugging another device.
- Remove all expansion cards and see if the system boots. If successful, add the cards back in one at a time with a reboot between each addition.
- Make sure the memory modules comply with the system requirements.
- Make sure the memory modules have been populated according to the system requirements.
- Remove and reseat the memory modules.
- Make sure the CPU comply with the system requirements.
- Make sure the CPU is populated according to the system requirements.
- Remove and reseat the CPU.
- Make sure the chassis standoffs are installed only below mounting holes. Misplaced standoffs may have contact to the pins on the bottom of the mainboard and cause a short.

## Server boot does not complete POST

Do the following:

- Make sure the CPU is properly seated.
- Check the BIOS release notes to ensure the BIOS installed on the platform supports the stepping and the family of processors currently installed.

## Server does not recognize all of the processors installed

Do the following:

- Make sure the CPU is properly seated.
- Make sure the CPU complies with the system requirements.
- Make sure the CPU is populated according to the system requirements.
- Remove and reseat the CPU.

## FDD activity indicator does not light.

Do the following:

- Make sure the FDD and interposer board are properly connected.
- Check that relevant switches and jumpers for the FDD are set correctly.
- Check that the FDD is properly configured.

## HDD activity indicator does not light.

Do the following:

- Make sure the drive is not disabled in the BIOS setup utility.
- Make sure the drive is compatible.
- Make sure you have not exceeded the power budget for the server.

If you have installed one or more hard drives in the system, do the following:

- Make sure the power and signal cables are connected correctly.
- If using a sixth HDD, make sure the sixth HDD board is properly installed to the backplane board and HDD is plugged into connectors on the sixth HDD board. Check that the relevant switches and jumpers on the hard drive are set correctly. Refer to drive documentation for more information.

ODD (optical disk drive) activity indicator does not light.

Do the following:

- Make sure the ODD and interposer board are properly connected.
- Check that relevant switches and jumpers on the drive are set correctly.
- Check that drive is properly configured.
- Check that onboard IDE controller is enabled in the BIOS setup.

ODD tray cannot be ejected.

- Insert the tip of a paperclip into the small hole on the ODD drive. Slowly pull the tray out from the drive until the tray is fully extended then remove the disc.

ODD drive cannot read a disc.

Do the following:

- Make sure you are using the correct type of disc.
- Make sure the disc is properly seated in the drive.
- Make sure the disc is unscratched.
- Make sure ODD and interposer board are properly connected.

Hard drives are not recognized.

Do the following:

- Make sure the disk controller is not disabled in the BIOS setup.
- Make sure the drive is compatible.

Bootable CD drive is not detected.

Make sure the Boot Options setting in the BIOS setup utility is configured to allow the CD drive to be the first bootable device.

New memory modules installed are not detected.

Do the following:

- Make sure the memory modules are properly seated on the DIMM slots.
- Make sure the memory modules comply with the system requirements.
- Make sure the memory modules have been populated according to the system requirements.

External device connected to a USB connector does not work.

Do the following:

- Reduce the number of external devices connected to a USB hub.
- Refer to the documentation that came with the device.

Server cannot connect to a network

- Make sure the network cable is securely attached to the correct connector at the system rear panel.
- Try a different network cable.
- Make sure you are using the correct and the current drivers.
- Make sure the driver is loaded and the protocols are bound.

## Problems with the network

Network status indicator does not light.

Do the following:

- Check the cabling and network equipment to make sure that all cables are properly connected.
- Reinstall the network drivers.
- Try another port or hub on the switch.

Diagnostics pass but the connection fails.

Make sure the network cable is securely attached.

The controller stopped working when an adapter was installed.

- Make sure the cable is connected to the port from the onboard network controller.
- Make sure the other adapter supports shared interrupts and your OS supports shared interrupts.
- Try reseating the adapter.

The adapter stopped working without apparent cause.

- Try reseating the adapter first, then try a different slot if necessary.
- The network files driver may be corrupt or deleted. Delete and reinstall the drivers.
- Run the diagnostics.

Network activity indicator does not light.

Do the following:

- Make sure the correct network drivers are loaded on the system.



- Network might be idle. Try accessing the server.

Server hangs when the drivers are loaded.

Change the PCI interrupt settings.

There is problem with the application software.

Do the following:

- Verify that the software is properly configured for the system. Refer to the software installation and operation documentation for instructions on setting up and using the software.
- Try a different version of the software to see if the problem is with the copy you are using.
- Make sure all cables are properly connected.
- If other software runs correctly on the system, contact your vendor about the defective software.

No characters appear on the screen.

Check the following:

- Is the keyboard functioning? Test it by turning the "Num Lock" function on and off to make sure the Num Lock light is functioning.
- Is the video monitor plugged in and turned on? If you are using a switch box, is it switched to the correct system?
- Are the brightness and contrast controls on the video monitor properly adjusted?
- Is the video monitor signal cable properly installed?
- Does this video monitor work correctly if plugged into a different system?
- Is the onboard video controller enabled in the BIOS setup?
- Remove all expansion cards and see if the system boots. If successful, add the cards back in one at a time with a reboot between each addition.

- Make sure the memory modules comply with the system requirements.
- Make sure the memory modules have been populated according to the system requirements.
- Remove and reseat the memory modules.
- Make sure the CPU comply with the system requirements.
- Make sure the CPU is populated according to the system requirements.

If you are using a video controller board, do the following:

- 1 Verify that the video works using the onboard video controller.
- 2 Verify that the video controller board is fully seated in the mainboard connector.
- 3 Reboot the system for changes to take effect.
- 4 If there are still no characters on the screen after you reboot the system and POST emits a beep code, write down the beep code you hear. This information is useful for your service representative.
- 5 If you do not receive a beep code and characters do not appear, the video display monitor or video controller may have failed. Contact your service representative or authorized dealer for help.

Characters are distorted or incorrect.

Check the following:

- Are the brightness and contrast controls properly adjusted on the video monitor? Refer to the documentation that came with the video monitor.
- Are the video monitor's signal and power cords properly connected.
- Is the video monitor working correctly when plugged into a different system?

System cooling fan do not rotate properly.

If the system cooling fan is not operating properly, it is an indication of possible system component failure.

Check the following:

- Is the power indicator lit? If not, see "Power indicator does not light." on page 138 .
- Have any of the fan motors stopped? Use the server management subsystem to check the fan status.
- Have your fans speeded up in response to an overheating situation?
- Have your fans speeded up in response to a fan that has failed?

# Error beep codes

## BIOS POST error beep codes

The following table lists the POST error beep codes. Prior to system video initialization, BIOS uses these beep codes to inform you of error conditions. The beep code occurs only when a critical error occurs or when the BIOS fails to boot to the operating system. Not all error conditions are supported by the BIOS beep codes.

<b>Number of Beeps</b>	<b>Description</b>
1, 2, or 3	Memory error
4 – 7 or 9 – 11	Fatal error indicating a possible serious system problem
8	Video error

## Troubleshooting BIOS POST error beep codes

The following table lists the possible beep codes that may occur while using the system and is followed by solutions to the situation.

<b>Number of beeps</b>	<b>Troubleshooting action</b>
1, 2, or 3	<ul style="list-style-type: none"> <li>• Make sure the memory modules are properly seated on the DIMM slots.</li> <li>• Make sure the memory modules comply with the system requirements.</li> <li>• Make sure the memory modules have been populated according to the system requirements.</li> </ul>
4-7, 9-11	<ul style="list-style-type: none"> <li>• Indicates a fatal error. Consult your dealer or local Acer representative for assistance.</li> <li>• If beep codes are generated even when all PCI cards are absent, consult your system manufacturer's technical support.</li> <li>• Check for a malfunctioning expansion card. If beep codes are not generated when all expansion cards are absent, one of the expansion cards is causing the malfunction. Insert the cards back into the system, booting the system between each card addition, until the beeps occur again to reveal the malfunctioning card.</li> </ul>
8	<ul style="list-style-type: none"> <li>• Make sure the video adapter is properly seated on the expansion slot.</li> <li>• If the video adapter is an integrated part of the mainboard, the board may be faulty.</li> </ul>

## ARMC/3 module error beep codes

In addition to the beep codes above, additional beep codes are provided if an ARMC/3 module is installed. The management modules provide the following additional beep codes.

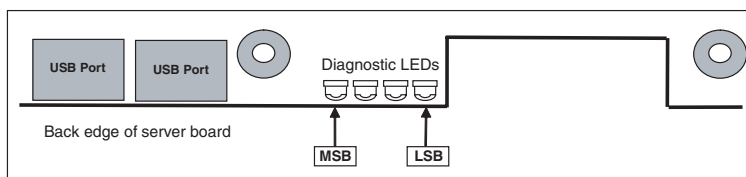
<b>Beep Code</b>	<b>Reason for the beeps and action to take</b>
1	Control panel CMOS clear has been initiated.
1-5-1-1	Processor failure. Reseat or replace the failed processor.
1-5-2-1	No processor is installed or the CPU 1 socket is empty. Reseat or replace the failed processor.
1-5-2-3	Processor configuration error or CPU 1 socket is empty. Reseat or replace the failed processor. In a two-processor system, make sure the processors are identical.
1-5-2-4	Front side bus selects configuration error
1-5-4-2	AC power unexpectedly lost
1-5-4-3	Chipset control failure
1-5-4-4	Power control failure

## Diagnostic POST code LEDs

During the system boot process, BIOS executes a number of platform configuration processes, each of which is assigned a specific hex code number. As each configuration routine is started, BIOS will display the given POST code to the diagnostic POST code LEDs found on the rear of the mainboard. To assist in troubleshooting a system hang during the POST process, the diagnostic LEDs can be used to identify the last POST process to be executed.

Each POST code will be represented by a combination of colors from the four LEDs. The LEDs are capable of displaying three colors: green, red, and amber. Each bit in the upper nibble is represented by a red LED and each bit in the lower nibble is represented by a green LED. If both bits are set in the upper and lower nibbles then both red and green LEDs are lit, resulting in an amber color. If both bits are clear, then the LED is off.

### Diagnostic LED placement diagram



The following table lists the possible POST codes that may be displayed on the Diagnostic POST code LEDs during system initialization.

Checkpoint code	Diagnostic LED Decoder				Description
	G=Green, R=Red, A=Amber				
	MSB			LSB	
<b>Host Processor</b>					
0x10h	OFF	OFF	OFF	R	Power-on initialization of the host processor (bootstrap processor)
0x11h	OFF	OFF	OFF	A	Host processor cache initialization (including AP)
0x12h	OFF	OFF	G	R	Starting application processor initialization

Checkpoint code	Diagnostic LED Decoder				Description
	G=Green, R=Red, A=Amber				
	MSB		LSB		
0x13h	OFF	OFF	G	A	SMM initialization
<b>Chipset</b>					
0x21h	OFF	OFF	R	G	Initializing a chipset component
<b>Memory</b>					
0x22h	OFF	OFF	A	OFF	Reading configuration data from memory (SPD on DIMM)
0x23h	OFF	OFF	A	G	Detecting presence of memory
0x24h	OFF	G	R	OFF	Programming timing parameters in the memory controller
0x25h	OFF	G	R	G	Configuring memory parameters in the memory controller
0x26h	OFF	G	A	OFF	Optimizing memory controller settings
0x27h	OFF	G	A	G	Initializing memory, such as ECC init
0x28h	G	OFF	R	OFF	Testing memory
<b>PCI Bus</b>					
0x50h	OFF	R	OFF	R	Enumerating PCI busses
0x51h	OFF	R	OFF	A	Allocating resources to PCI busses
0x52h	OFF	R	G	R	Hot Plug PCI controller initialization
0x53h	OFF	R	G	A	Reserved for PCI bus
0x54h	OFF	A	OFF	R	Reserved for PCI bus
0x55h	OFF	A	OFF	A	Reserved for PCI bus
0x56h	OFF	A	G	R	Reserved for PCI bus
0x57h	OFF	A	G	A	Reserved for PCI bus
<b>USB</b>					
0x58h	G	R	OFF	R	Resetting USB bus
0x59h	G	R	OFF	A	Reserved for USB devices



Checkpoint code	Diagnostic LED Decoder				Description
	G=Green, R=Red, A=Amber				
	MSB		LSB		
<b>ATA / ATAPI / SATA</b>					
0x5Ah	G	R	G	R	Resetting PATA / SATA bus and all devices
0x5Bh	G	R	G	A	Reserved for ATA
<b>SMBUS</b>					
0x5Ch	G	A	OFF	R	Resetting SMBUS
0x5Dh	G	A	OFF	A	Reserved for SMBUS
<b>Local Console</b>					
0x70h	OFF	R	R	R	Resetting the video controller
0x71h	OFF	R	R	A	Disabling the video controller
0x72h	OFF	R	A	R	Enabling the video controller
<b>Remote Console</b>					
0x78h	G	R	R	R	Resetting the console controller
0x79h	G	R	R	A	Disabling the console controller
0x7Ah	G	R	A	R	Enabling the console controller
<b>Keyboard (PS/2 or USB)</b>					
0x90h	R	OFF	OFF	R	Resetting the keyboard
0x91h	R	OFF	OFF	A	Disabling the keyboard
0x92h	R	OFF	G	R	Detecting the presence of the keyboard
0x93h	R	OFF	G	A	Enabling the keyboard
0x94h	R	G	OFF	R	Clearing keyboard input buffer
0x95h	R	G	OFF	A	Instructing keyboard controller to run Self Test (PS/2 only)
<b>Mouse (PS/2 or USB)</b>					
0x98h	A	OFF	OFF	R	Resetting the mouse
0x99h	A	OFF	OFF	A	Detecting the mouse
0x9Ah	A	OFF	G	R	Detecting the presence of mouse

Checkpoint code	Diagnostic LED Decoder				Description
	G=Green, R=Red, A=Amber				
	MSB			LSB	
0x9Bh	A	OFF	G	A	Enabling the mouse
<b>Fixed Media</b>					
0xB0h	R	OFF	R	R	Resetting fixed media device
0xB1h	R	OFF	R	A	Disabling fixed media device
0xB2h	R	OFF	A	R	Detecting presence of a fixed media device (IDE hard drive detection, etc.)
0xB3h	R	OFF	A	A	Enabling / configuring a fixed media device
<b>Removable Media</b>					
0xB8h	A	OFF	R	R	Resetting removable media device
0xB9h	A	OFF	R	A	Disabling removable media device
0xBAh	A	OFF	A	R	Detecting presence of a removable media device (IDE CDROM detection, etc.)
0xBCh	A	G	R	R	Enabling/configuring a removable media device
<b>Boot Device Selection</b>					
0xD0	R	R	OFF	R	Trying boot device selection
0xD1	R	R	OFF	A	Trying boot device selection
0xD2	R	R	G	R	Trying boot device selection
0xD3	R	R	G	A	Trying boot device selection
0xD4	R	A	OFF	R	Trying boot device selection
0xD5	R	A	OFF	A	Trying boot device selection
0xD6	R	A	G	R	Trying boot device selection
0xD7	R	A	G	A	Trying boot device selection
0xD8	A	R	OFF	R	Trying boot device selection
0xD9	A	R	OFF	A	Trying boot device selection
0XDA	A	R	G	R	Trying boot device selection

Checkpoint code	Diagnostic LED Decoder				Description
	G=Green, R=Red, A=Amber				
	MSB		LSB		
0xDB	A	R	G	A	Trying boot device selection
0xDC	A	A	OFF	R	Trying boot device selection
0xDE	A	A	G	R	Trying boot device selection
0xDF	A	A	G	A	Trying boot device selection
<b>Pre-EFI Initialization (PEI) Core</b>					
0xE0h	R	R	R	OFF	Started dispatching early initialization modules (PEIM)
0xE2h	R	R	A	OFF	Initial memory found, configured, and installed correctly
0xE1h	R	R	R	G	Reserved for initialization module use (PEIM)
0xE3h	R	R	A	G	Reserved for initialization module use (PEIM)
<b>Driver Execution Environment (DXE) Core</b>					
0xE4h	R	A	R	OFF	Entered EFI driver execution phase (DXE)
0xE5h	R	A	R	G	Started dispatching drivers
0xE6h	R	A	A	OFF	Started connecting drivers
<b>DXE Drivers</b>					
0xE7h	R	A	A	G	Waiting for user input
0xE8h	A	R	R	OFF	Checking password
0xE9h	A	R	R	G	Entering BIOS setup
0xEAh	A	R	A	OFF	Flash update
0xEEh	A	A	A	OFF	Calling Int 19. One beep unless silent boot is enabled.
0xEFh	A	A	A	G	Unrecoverable boot failure / S3 resume failure
<b>Runtime Phase/EFI Operating System Boot</b>					
0xF4h	R	A	R	R	Entering Sleep state
0xF5h	R	A	R	A	Exiting Sleep state

Checkpoint code	Diagnostic LED Decoder				Description
	G=Green, R=Red, A=Amber				
	MSB			LSB	
0xF8h	A	R	R	R	Operating system has requested EFI to close boot services (Exit Boot Services has been called)
0xF9h	A	R	R	A	Operating system has switched to virtual address mode (Set Virtual Address Map has been called)
0xFAh	A	R	A	R	Operating system has requested the system to reset (Reset System has been called)
<b>Pre-EFI Initialization Module (PEIM)/Recovery</b>					
0x30h	OFF	OFF	R	R	Crisis recovery has been initiated because of a user request
0x31h	OFF	OFF	R	A	Crisis recovery has been initiated by software (corrupt flash)
0x34h	OFF	G	R	R	Loading crisis recovery capsule
0x35h	OFF	G	R	A	Handing off control to the crisis recovery capsule
0x3Fh	G	G	A	A	Unable to complete crisis recovery.

# Appendix A: Acer Altos R720 rack installation guide

This appendix shows you how to set up the  
Altos R720 server in a rack mount configuration.

# Setting up the system rack



**Important!** Observe the electrostatic discharge (ESD) precautions indicated on page 35 when performing the following procedures. Do not attempt the procedures described in the following sections unless you are a qualified technician.

## Equipment rack precautions

Follow the rack manufacturer's safety and installation instructions for proper rack installation.

The following additional rack safety installation measures should be considered:

- **Anchor the equipment rack**  
The equipment rack must be anchored to an unmovable suitable support to prevent the rack from falling over when one or more systems are fully extended out of the rack assembly. You must also consider the weight of any other devices installed in the rack assembly. The equipment rack must be installed according to the manufacturer's instructions.
- **Main AC power disconnect**  
You are responsible for installing an AC power disconnect for the entire rack unit. This main disconnect must be readily accessible, and it must be labeled as controlling power to the entire unit, not just to the system(s).
- **Earth ground the rack installation**  
To avoid the potential for an electrical shock hazard, the rack assembly itself must be suitably earth grounded, according to your local regional electrical codes. This typically will require the rack to have its own separate earth ground. We recommend you consult your local approved electrician.

- **Elevated operating ambient temperature**

The maximum operating temperature of the system is 35 °C (95°F). Careful consideration should be given to installing the system in an environment compatible with the 35 °C (95°F) maximum ambient temperature.

- **Reduced airflow**

The amount of airflow required for the safe operation of the equipment should not be compromised when installing the system in a rack.

- **Mechanical loading**

Exercise care when mounting the system in a rack to avoid any accidents.

- **Circuit overloading**

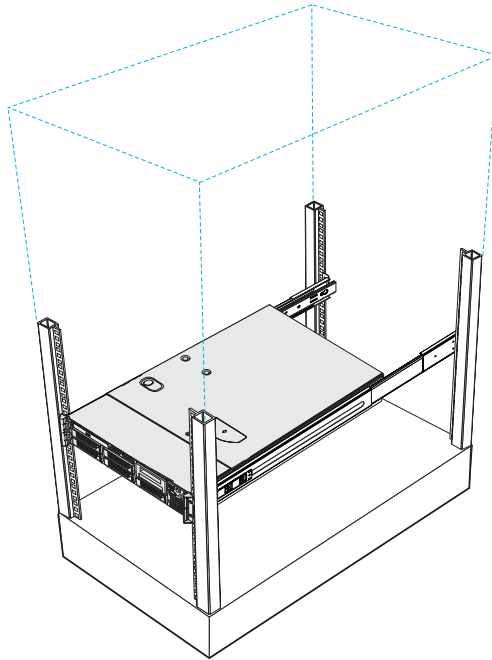
Appropriate consideration should be given when connecting the supply circuit to the system to avoid any circuit overload. The system name plate rating should be used when addressing concerns about circuit overload.



## System rack installation

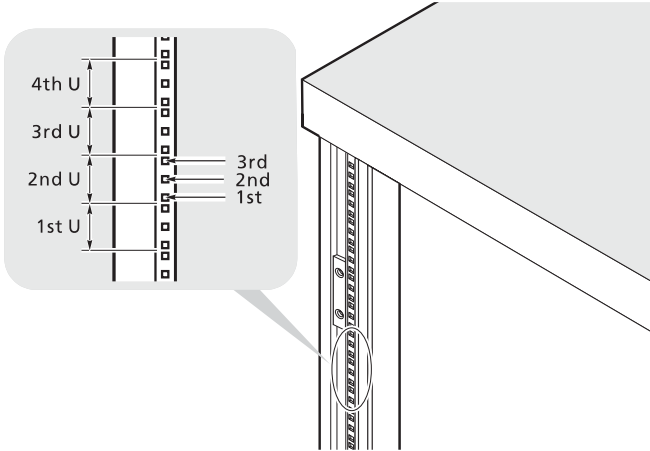
The Altos R720 server system should be mounted into a rack. A tool-less rack rail and CMA (cable management arm) kit is available for installing system to a rack cabinet.

The figure below shows the Altos R720 server in a rack-mount position.



## Vertical mounting hole pattern

The four vertical rails of the system rack contain mounting holes arranged in a manner shown in the figure below:



The system occupies 2U in the rack. Count the U positions and hole numbers from the bottom up.

The distance from the center of two holes with closer spacing to the center of the next pair is equivalent to 1U.



**Note:** The unit of measurement used in this guide is "U" (1U = 1.75 inches or 44.45 mm). The total sum of the heights of all components in the rack measured in "U" cannot exceed the height of the rack. For more information, refer to the documentation that came with the system rack.

When installing components, you must start your measurement from the center of the two holes with closer spacing. Otherwise, the screw holes on the component may not match those on the rack.

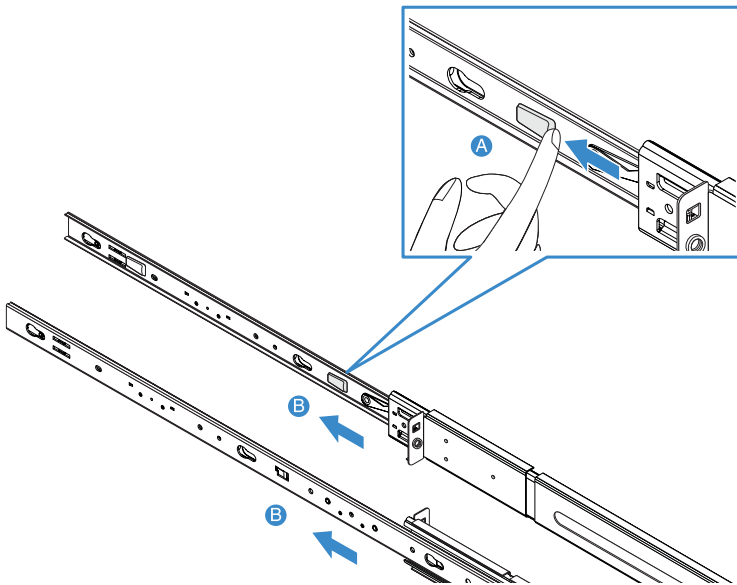
# Installing the system into the rack



**Caution!** To minimize the chances of injuries, make sure that two or more people help in installing the server.

To install the system into a four-post rack

- 1 Remove the inner rails from the mounting rails.
  - (1) Extend the inner rail from the mounting rail until the rail release latch clicks.
  - (2) Depress the release latch **(A)** and slip the inner rail out **(B)**.



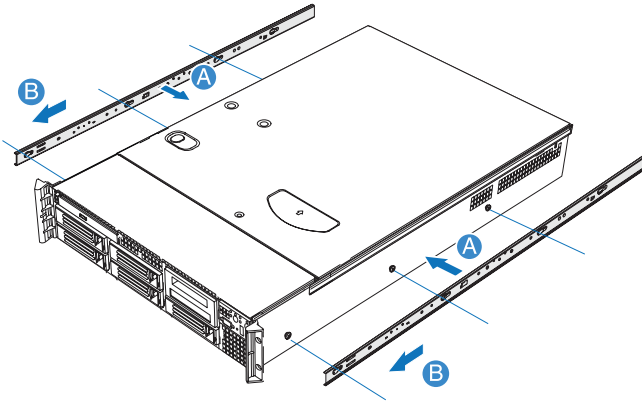
(3) Do the same thing to the other mounting rail.



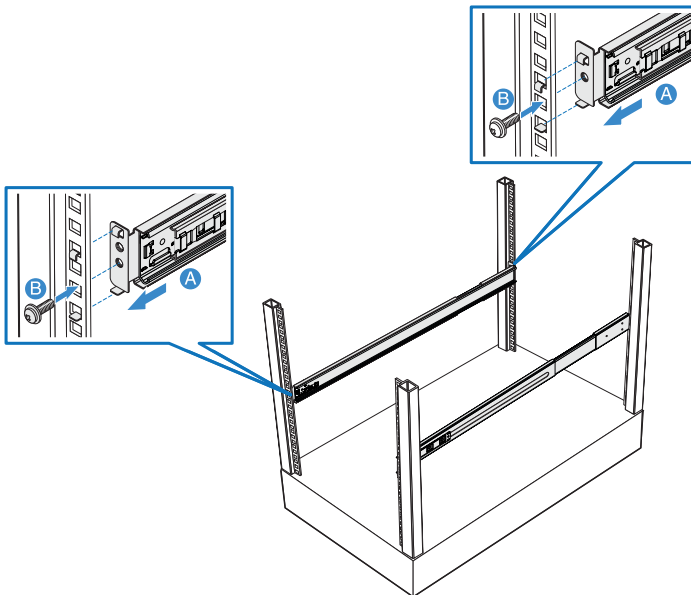
-----  
**Caution!** To avoid personal injury, care should be taken when pressing the inner rail release latches and sliding the component into the rack.

2 Attach the inner rails to both sides of the server.

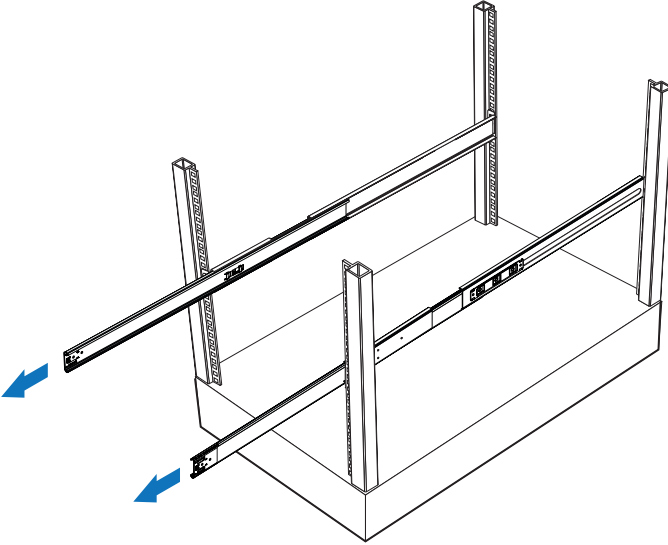
Align the screw holes of the inner rail to the server screws **(A)**, then slide rails to the left until the rails lock into place with an audible click **(B)**.



- 3 Install the mounting rails to the rack posts.
- (1) Determine the vertical position in the rack. Refer to "Vertical mounting hole pattern" on page 160 for more information.
  - (2) Align and insert the mounting rails into the rack posts' mounting holes **(A)**.
  - (3) Make certain the proper mounting holes on rack post are selected.
  - (4) Use two metal screws supplied with the kit to secure the front and rear mounting rail to the rack **(B)**.
  - (5) Do the same thing to the other mounting rail.



- (6) Fully extend the mounting rails on the rack.

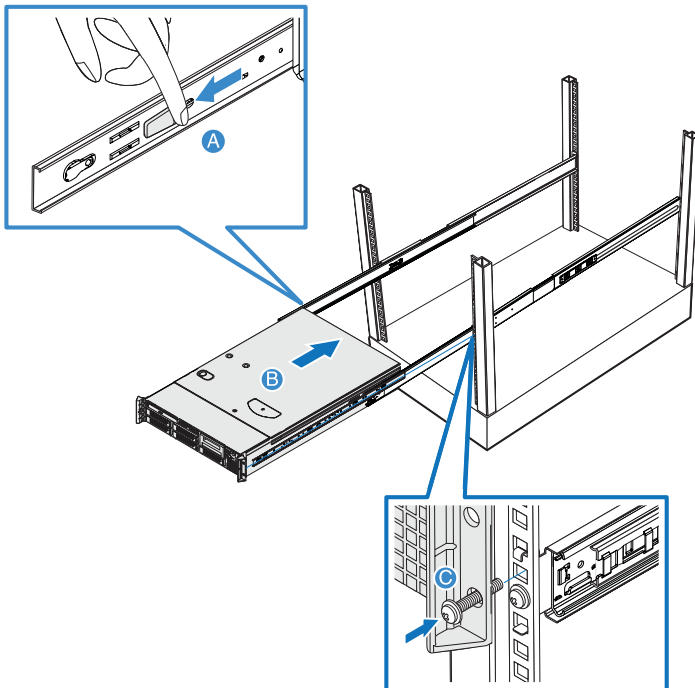


#### 4 Install the server into the rack.

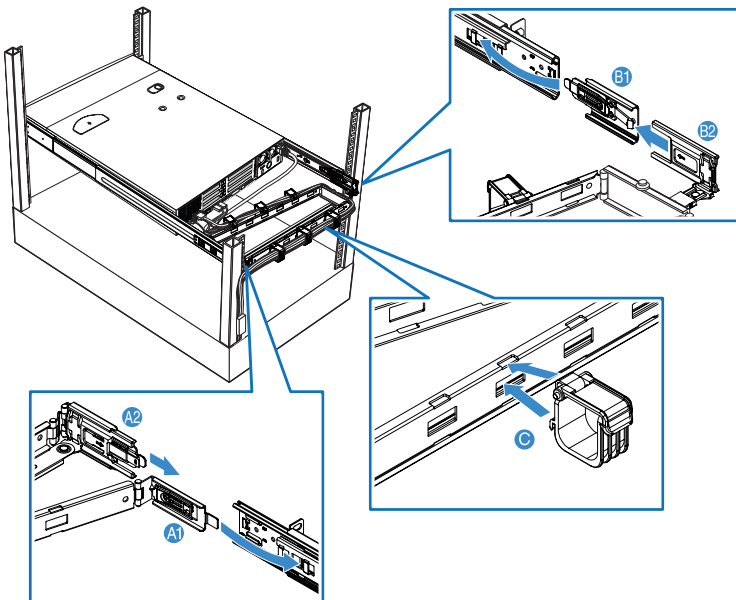


**Caution!** To avoid personal injury, care should be taken when pressing the inner rail release latches and sliding the component into the rack.

- (1) Carefully align the inner rails attached to the server with the fully extended mounting rails on the rack.
- (2) Press the release latch on both sides of the server **(A)**.
- (3) Insert the inner rails into the mounting rails, then push the server into the rack until you hear a click sound **(B)**.
- (4) Secure the server to the rack using two metal screws **(C)**.

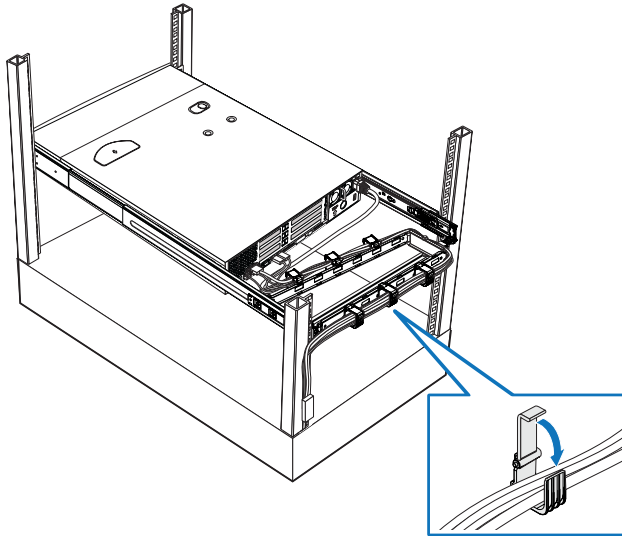


- 5 Attach the CMA (cable management arm) to the rear of the server. The CMA allows you to tie-wrap all cables to and from the system. As you slide the system in and out of the rack, the CMA collapses and extends, keeping the cables untangled and attached to the system.
- (1) Insert the smaller CMA extension into the rear of the left inner rail (**A1**).
  - (2) Insert the larger CMA extension into the rear of left mounting rail (**A2**).
  - (3) Insert the CMA extension connector into the rear of the right mounting rail (**B1**).
  - (4) Insert the CMA arm connector into the blue plastic cutout on the CMA extension connector (**B2**).
  - (5) Attach the cable clips into the appropriate mounting holes in the CMA (**C**).





- (6) Connect the power, peripheral and networking cables into their appropriate ports.  
Refer to "Connecting peripherals" on page 28 for detailed instructions.
- (7) Route all cables through the cable clips.





# Appendix B: SAS hardware RAID configuration

**This appendix shows you how to create a RAID volume with integrated SAS hardware RAID.**

# Configuring the integrated SAS hardware RAID

This section briefly shows how to create RAID with integrated SAS hardware RAID.

Starting integrated SAS hardware RAID configuration utility

To start Integrated SAS hardware RAID Configuration Utility, press **CTRL+G** when you see the RAID BIOS during POST. After POST finished, the Adapter Selection page will show on the screen. Click **Start** to launch the configuration menu.

## Loading factory default setting

- 1 In the Configuration menu, select **Adapter Properties**. The current adapter settings appear.
- 2 Change the setting of Set Factory Defaults from No to **Yes**, then click **Submit**.
- 3 Press **<Ctrl+Alt+Del>** to reboot the server.

## Creating and Initialing a RAID Volume

- 1 Launch the Configuration menu.
- 2 Select **Configuration Wizard**.
- 3 Select **Add Configuration (default)** and click **Next**.
- 4 Select **Custom Configuration (default)** and click **Next**.
- 5 Select the drives that you want to add into the array using the **<Ctrl>** key.
- 6 After you select the drives, click **Accept Array** then **Next**.
- 7 Select the RAID level you want to use, create the logical volume by specifying the size at Select Size and click **Accept** to create the logical volume.
- 8 After you create the logical volumes on all of the RAID volume, click **Accept** and **Yes** to save the configuration.

- 9 Click **Yes** to initialize the new logical drives. The logical drives will be listed.
- 10 Click **Home** to go back to the configuration menu.
- 11 Now you can reboot the system and install the Operating System. Select **Exit** and click **Yes**.
- 12 Press <**Ctrl+Alt+Del**> to reboot the system.

#### Assigning a hot spare disk

- 1 Launch the Configuration menu.
- 2 Select a free disk marked as Ready and listed under Physical Drives.
- 3 Select **Make Hotspare** and click **Go**.
- 4 Click **Home** to return to the Configuration menu. The disk will be marked as Hotspare in pink and listed under Physical Drives.

# Index

## A

- air baffles
  - installing 45
  - removing 45
- ARMC/3 module
  - installing 85
  - removing 84

## B

- BIOS menus
  - Advanced 104
    - ATA Controller 110
    - Mass Storage 112
    - Memory 108
      - Configure Memory RAS and Performance 109
    - PCI 116
    - Processor 105
      - Processor Information 107
    - Serial Port 113
    - System Acoustic and Performance Configuration 118
    - USB Configuration 114
  - Boot Manager 128
  - Boot Options 125
    - BEV Device # 126
  - Devices
    - LAN 118
  - Error Manager 129
  - Exit 130
  - Main 102
  - Security 119
    - changing password 120
    - removing password 120
    - Supervisor password 119
    - User password 119
  - Server Management 121
    - Console Redirection 123
    - System Information 124
- BIOS setup 99
  - entering 100

## C

- configuring the system OS 31
- CPU
  - installing 75
  - removing 74
- CPU air dam
  - removing 44
- CPU air duct
  - installing 43

- removing 42, 43

## D

- DIMM module
  - installation guidelines 77
- DIMMs
  - installing 78
  - removing 79

## F

- FDD in converted HDD bay
  - installing 56
  - removing 59
- front bezel 7
  - installing 38
  - removing 38
- front panel 7, 8
  - control buttons 9
  - LED indicators 10
- front panel control button
  - function 9

## H

- hardware RAID components 91
- HDD
  - installing 49
  - removing 48
- hot-plug
  - power supply 81

## I

- installing
  - ARMC/3 module 85
  - CPU 75
  - CPU air duct 43
  - DIMMs 78
  - FDD in converted HDD bay 56
  - front bezel 39
  - HDD 49
  - interposer board 53
  - large air baffle 47
  - NIC module 86
  - optical drive 53
  - PCI card 70
  - PCI riser assembly 67
  - PCI riser board 68
  - power supply 82
  - RAID activation key 92
  - RAID BBU 95
  - SAS mid-plane board 88
  - SAS/SATA backplane board 90
  - sixth HDD 62
  - slim-line FDD 56
  - small air baffle 46
  - tape drive 60
  - top cover 41
- internal components 16
  - interposer board
    - installing 53

removing 52

## L

large air baffle  
installing 47  
removing 46

## M

memory 81  
reconfiguring 80

## N

NIC module  
installing 86  
removing 84

## O

opening the system 37  
installing the front bezel 39  
installing the top cover 41  
removing the front bezel 38  
removing the top cover 40  
optical drive  
installing 53  
removing 51

## P

PCI card  
installing 70  
removing 69  
PCI riser assembly  
installing 67  
removing 65  
PCI riser board  
installing 68  
removing 68  
peripherals 28  
power cord 29  
power supply  
installing 82  
removing 83  
processor  
upgrade guidelines 74

## R

rack  
installing 161  
rack installation 155  
mounting pattern 160  
precautions 157  
RAID activation key  
installing 92  
removing 91  
RAID BBU  
installing 95  
removing 94  
RAID cache  
removing 92  
RAID configuration 169

SAS hardware RAID utility  
assign hot spare 172  
create RAID Volume 171  
using SAS hardware RAID utility 171

rear panel 13  
LED indicators 14  
removing  
ARMC/3 module 84  
CPU 74  
CPU air dam 44  
CPU air duct 42  
DIMMs 79  
FDD in converted HDD bay 59  
front bezel 38  
HDD 48  
interposer board 52  
large air baffle 46  
NIC module 84  
optical drive 51  
PCI card 69  
PCI riser assembly 65  
PCI riser board 68  
power supply 83  
RAID activation key 91  
RAID BBU 94  
RAID cache 92  
SAS mid-plane board 87  
SAS/SATA backplane board 89  
slim-line FDD 59  
small air baffle 45  
top cover 40  
replacing  
system fan 72

## S

SAS mid-plane board  
installing 88  
removing 87  
SAS/SATA backplane board  
installing 90  
removing 89  
setting up the system 27  
preinstallation requirements 27  
sixth HDD  
installing 62  
slim-line FDD  
installing 56  
removing 59  
small air baffle  
installing 46  
removing 45  
specification  
BMC 5  
chipset 3  
graphic interface 5  
I/O ports 5  
media storage 3  
memory subsystem 3  
networking 4



- OS 6
  - PCI I/O 4
  - power supply 5
  - processor 3
  - SAS mid-plane board 4
  - serial ATA port 4
  - system fan 5
  - system boards 17
    - backplane 19
      - SAS backplane board 19
    - mainboard 17
    - mid-plane board
      - SAS mid-plane board 21
  - system diagnostic LEDs 22
  - system fan
    - replacing 72
  - system features 3
  - system jumpers 23
  - system memory
    - reconfiguring 80
  - system tour 1
  - system upgrade 33
    - ESD precautions 35
    - installation precautions 35
    - post-installation instructions 36
    - preinstallation instructions 35
- T**
- tape drive
    - installing 60
  - top cover
    - installing 41
    - removing 41
  - troubleshooting 133
    - confirming loading of the OS 138
  - hardware diagnostic testing 137
  - POST error codes 147
  - problems 138
    - adapter stopped working 142
      - cannot connect to a network 141
      - cannot detect bootable drive 141
      - cannot detect memory 141
      - cannot eject DVD/CD tray 140
      - cannot read DVD/CD 140
      - controller stopped working 142
      - DVD/CD drive no light 140
      - HDD LED no light 139
      - HDD not recognized 141
      - initial system installation 135
      - LAN LED no light 142
      - network connection fails 142
      - no characters on screen 143
      - no video 142
      - power indicator no light 138
      - Processors not recognized 139
      - server boot does not complete POST 139
        - system fans do not rotate 144
      - resetting the system 135
      - verifying key system lights 137
    - turning off the system 32
    - turning on the system 29
      - power-on problems 30
- U**
- upgrading the BIOS 132



## Free Manuals Download Website

<http://myh66.com>

<http://usermanuals.us>

<http://www.somanuals.com>

<http://www.4manuals.cc>

<http://www.manual-lib.com>

<http://www.404manual.com>

<http://www.luxmanual.com>

<http://aubethermostatmanual.com>

Golf course search by state

<http://golfingnear.com>

Email search by domain

<http://emailbydomain.com>

Auto manuals search

<http://auto.somanuals.com>

TV manuals search

<http://tv.somanuals.com>