

User Guide

5X1 SATA Port Multiplier (AD5SAPM)

www.addonics.com

v7.1.11

Technical Support

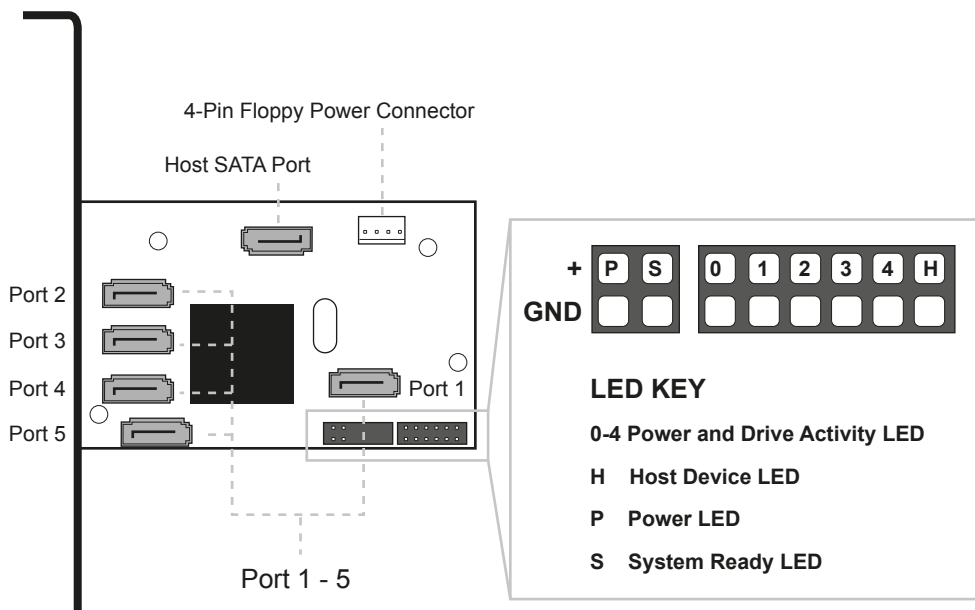
If you need any assistance to get your unit functioning properly, please have your product information ready and contact Addonics Technical Support at:

Hours: 8:30 am - 6:00 pm PST

Phone: 408-453-6212

Email: <http://www.addonics.com/support/query/>

Download from [Www.Somanuals.com](http://www.Somanuals.com). All Manuals Search And Download.



Note: When the internal port multiplier (PM) is connected to a SATA Host controller with Sil3124 or Sil3132 chip, in the RAID BIOS of the host controller, you will only see one drive and that is the drive connected to port 1 on the hardware PM.

All the SATA drives connected to the PM will show in the SATARAID5 Array Manager.

1. Mount the internal SATA Port Multiplier onto the PCI bracket of any standard desktop or low profile system.
2. Attach the SATA hard drives (up to 5) to ports 1-5 on the Port Multiplier using SATA cables.
3. Attach a 4-pin floppy power cable from the power supply unit to the Port Multiplier power connector.
4. Connect a SATA cable to the Host SATA port of the Port Multiplier then to the SATA port of the raid controller.

CONTACT US

www.addonics.com

Phone: 408-573-8580

Fax: 408-573-8588

Email: <http://www.addonics.com/sales/query/>

Free Manuals Download Website

<http://myh66.com>

<http://usermanuals.us>

<http://www.somanuals.com>

<http://www.4manuals.cc>

<http://www.manual-lib.com>

<http://www.404manual.com>

<http://www.luxmanual.com>

<http://aubethermostatmanual.com>

Golf course search by state

<http://golfingnear.com>

Email search by domain

<http://emailbydomain.com>

Auto manuals search

<http://auto.somanuals.com>

TV manuals search

<http://tv.somanuals.com>