

Instruction Manual

Fisher Scientific Isotemp[®]

Chromatography and General Purpose Laboratory Refrigerators

Chromatography Refrigerator Models

13-986-127G/GR/GA	13-986-127GHK
13-986-133G/GR/GA	13-986-133GHK
13-986-138G/GR/GA	13-986-138GHK
13-986-145G/GR/GA	13-986-145GHK
13-986-149G/GR/GA	13-986-149GHK
13-986-172G/GR/GA	13-986-172GHK

General Purpose Laboratory Refrigerator Models

13-986-227R/G/RR/RA/GR/GA	13-986-227GHK
13-986-238G/GR/GA	13-986-238GHK
13-986-245G/GR/GA	13-986-245GHK
13-986-249R/G/RR/RA/GR/GA	13-986-249GHK
13-986-272G/GR/GA	13-986-272GHK



Service Division (Repairs): 1-800-395-5442

Technical Support: 1-800-926-0505

Customer Service: 1-800-766-7000

Prior to calling for service, have the following information readily available:

Catalog Number: _____

Serial Number: _____

Date of Purchase: _____

The catalog number and serial number can be found on the data plate located on the left interior wall of the unit.

Introduction	1
Unpacking	1
Visible Loss or Damage.....	1
Concealed Loss or Damage	1
Packing List	1
Installation	2
Selecting a Location.....	2
Leveling the Unit.....	2
Door Handles	2
Door Removal and Adjustment	2
Shelves.....	3
Electrical Connection	4
Operation	5
Control Layout.....	5
Temperature Controller.....	6
Setting the Temperature.....	6
Units Select.....	6
Calibration Offset.....	6
Hold-Off Time.....	7
Error Codes	7
Fluorescent Lamps.....	8
Convenience Outlet.....	8
Manual/Automatic Condenser Fan	8
Trouble Shooting Table	9
Maintenance	10
Cabinet Cleaning	10
Cleaning the Condenser.....	10
Condensate Evaporator Pan	10
Replacement Parts	11
Performance Characteristics	11
Power Requirements	11
Wiring Diagram	12

Introduction

Your satisfaction and safety are important to Fisher Scientific, a complete understanding of this unit is necessary to attain these objectives.

As the ultimate user of this apparatus, it is your responsibility to understand its proper function and operational characteristics. This instruction manual should be thoroughly read and all operators given adequate training before attempting to place this unit in service. Awareness of the stated cautions and warnings, and compliance with recommended operating parameters – together with maintenance requirements – are important for safe and satisfactory operation. The unit should be used for its intended application; alterations or modifications will void the Warranty.



WARNING: As a routine laboratory precaution, always wear safety glasses when working with this apparatus.

This product is not intended, nor can it be used, as a sterile or patient connected device. In addition, this apparatus is not designed for use in Class I, II or III locations as defined by the National Electrical Code, unless otherwise noted.

Unpacking

Save all packing material if apparatus is received damaged. This merchandise was carefully packed and thoroughly inspected before leaving our factory.

Responsibility for its safe delivery was assumed by the carrier upon acceptance of the shipment; therefore, claims for loss or damage sustained in transit must be made upon the carrier by the recipient as follows:

Visible Loss or Damage

Note any external evidence of loss or damage on the freight bill, or express receipt, and have it signed by the carrier's agent. Failure to adequately describe such external evidence of loss or damage may result in the carrier's refusing to honor your damage claim. The form required to file such a claim will be supplied by the carrier.

Concealed Loss or Damage

Concealed loss or damage refers to loss or damage, which does not become apparent until the merchandise has been unpacked and inspected. Should either occur, make a written request to the carrier's agent within 15 days of the delivery date; then file a claim with the carrier since the damage is the carrier's responsibility.

If you follow the above instructions carefully, we will guarantee our full support of your claim to be compensated for loss from concealed damage.

DO NOT – FOR ANY REASON – RETURN THIS UNIT WITHOUT FIRST OBTAINING AUTHORIZATION

Packing List

The following items are packed in the envelope located inside the refrigerator chamber. If any of the following items are not present, report the missing item to your local Fisher representative.

1. Warranty Card
2. This Instruction Manual
3. Door Lock Key
4. Power Switch Key
5. Chart Recorder Instructions

Installation

Selecting a Location

Choose a location for the refrigerator that will provide **at least three inches of clearance** between the cabinet and any adjacent vertical surface at the sides and rear. Appropriate electrical power must be available. Locate the refrigerator within 6 feet of the power outlet so that no extension cord is required.

Leveling the Unit

The refrigerator must be level in order to provide adequate condensation drainage as well as proper door alignment and operation. The refrigerator should be in its final operating location and set so that it is firmly positioned on the floor. There are four leveling screws, one on each corner. Level the cabinet front to rear and side-to-side using the corner leveling screws. The leveling screws are accessed by removing the base grille, as described below:

1. Remove the lower grille attaching screws.
2. Grasp the grille with both hands.
3. Tilt the lower end of the base grille toward you.
4. Pull grille away from the refrigerator

Door Handles

(Swinging Door Models Only)

Door handles are packed inside each refrigerator. To mount the handle, lift the door gasket behind the two screws on the front of the door. Attach handle with offset away from the cabinet corner and tighten the screws.

Door Removal and Adjustment

(Sliding Door Models Only)

Each door has its own closing spring located at the top of the door track. Each spring is set for proper tension. If adjustment is required:

1. Check for cabinet level (see above).
2. Remove the door(s) by lifting it and sliding about half way open. The roller will fall into a gap in the upper track. While maintaining upward pressure on the door, pull the bottom outward until it clears the bottom track.
3. Adjust the location of the door rollers in the roller brackets (above door) as shown by loosening the lock nut on the back of the roller bracket and moving the roller up or down.

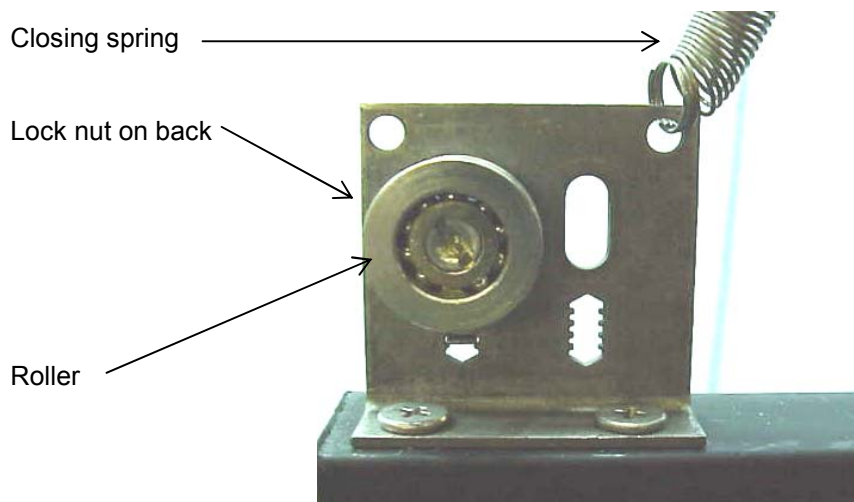


Fig. 1

4. The spring tension can be adjusted by moving the spring to the outside hole of the bracket or by snipping a portion of it off and then refastening it to the bracket.



CAUTION: Wear safety glasses before snipping spring.

Shelves

Shipped inside each cabinet are shelves packed in plastic and a bag of shelf supports. Two different types of shelf supports are used. The shelf supports have tab lengths of $\frac{1}{4}$ inch and $\frac{1}{2}$ inch. The $\frac{1}{4}$ inch versions are used in the front of the shelf (See below) and the $\frac{1}{2}$ inch shelf supports are used in the rear.

Shelf spacing is adjustable to suit user requirements. Insert four shelf supports for each shelf into the pilasters as shown. Note the numbers on the pilasters. Place supports on the same numbers on each pilaster to ensure the shelf will be level. Place the shelf on the pilasters as shown in Fig's 2 and 3.

Replacement shelves are available individually. See page 11 for shelf part numbers. Proper shelf orientation is illustrated in Figure 2.

NOTE: Chromatography units include additional $\frac{1}{2}$ shelves, which can be used in place of the full shelves.

Shelf Support

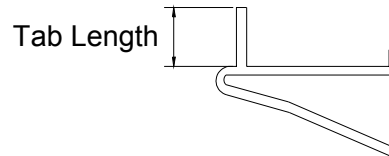


Fig. 2 Use $\frac{1}{4}$ " tab length supports on sides and $\frac{1}{2}$ " in back.



Fig. 3 Place shelves at desired height on four shelf supports.

Electrical Connection



NOTICE: Insufficient line voltage is often the cause of compressor start-up failure. It is strongly recommended that a dedicated circuit, conforming to the National Electrical Code, Article 440, be used for powering the refrigerator.

CAUTION: Be sure that the power supply is the same voltage that is specified on the refrigerator's data plate.

The frequency and nominal voltage requirements for the unit are specified on the data plate, which is located on the interior's upper left side. Only plug the unit into a power source that meets these requirements. **Low line voltage is often the cause of service complaints. With the unit running, check that the line voltage is within $\pm 10\%$ of that specified on the data plate.**



WARNING: For personal safety this unit must be properly grounded.

The power cord of this instrument is equipped with a three prong (grounding) plug (NEMA 5-15P). This plug mates with a standard three prong (grounding) wall receptacle (NEMA 5-15R) to minimize the potential of an electrical shock hazard. Chromatography models are equipped with a (NEMA 5-20P). This plug must mate with a (NEMA 5-20R).

Operation

Control Layout

The customer should have the wall receptacle and circuit checked by a qualified electrician to verify the receptacle is properly grounded and meets power requirements specified on the data plate.



WARNING: DO NOT under any circumstances cut or remove the third (ground) prong from the power cord. DO NOT use a two-prong adapter plug.

Where a two prong wall receptacle is encountered, it is the personal responsibility and obligation of the user to have it replaced with a properly grounded three prong receptacle.



CAUTION: Do not use an extension cord. Use of an ungrounded cord or an overloaded circuit **VOIDS** the compressor warranty.



WARNING: If the unit is tilted in excess of 30 degrees, level the unit then wait at least 12 hours before applying power to it.



WARNING: This product is not approved for storage of flammable or explosive materials. Also, it is not approved for use in hazardous locations containing explosive atmospheres.

Before operation, become familiar with the refrigerator controls located on the refrigerator header panel. A layout of the control is given below.

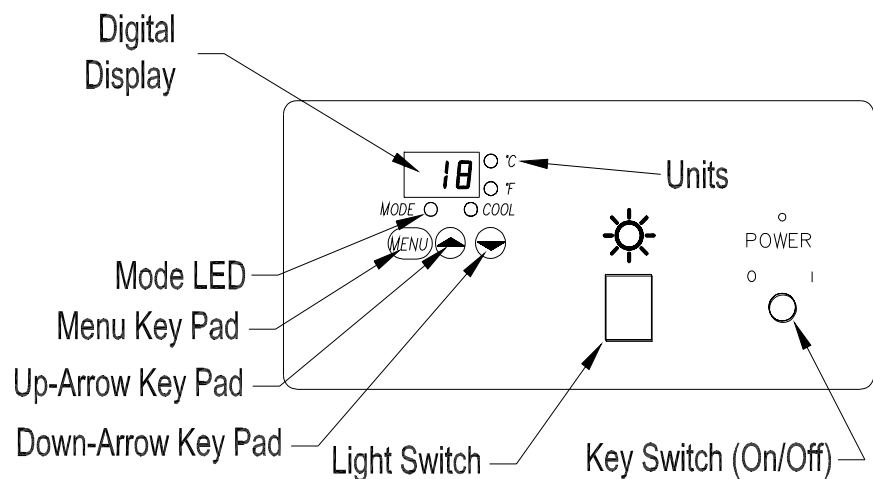


Figure 4

Temperature Controller

Begin operation by inserting the key into the key switch located on the header panel. The key switch is packed inside the envelope, which is shipped in the refrigerator chamber. Turning the key switch to the ON (|) position will energize the evaporator fans and the digital controller.

The digital temperature controller is located on the left side of the header panel (See Figure 4). When the unit is initially turned on, the display will indicate current chamber temperature. The temperature units will be indicated by the °C or °F LED located just to the right of the temperature display. The refrigerator is factory set at 4°C. When the unit is first energized the evaporator fans will operate however it will not immediately cool. A 3-minute compressor delay is programmed into the controller to provide sufficient time for the evaporator to defrost and to allow the system pressure time to equalize. When the delay time is over, the *Cool* LED will illuminate, the compressor will run and the chamber will cool.



NOTE: The compressor requires a 3-minute delay time between activations. The unit will not cool during this delay. The delay is also activated when the controller is first energized.

Setting the Temperature

To change the set temperature, press and release the *Menu* keypad once. The display will flash *SP* and the Mode LED will be illuminated. The last set temperature will then be shown in the display. To change the temperature, press the *UP* or *DOWN* arrow key. The adjustable temperature range is 1 to 12°C (34 to 54°F). When the desired set temperature is displayed, press the *Menu* keypad to enter the set temperature and activate the *Units Select* menu.

Units Select

The second menu selects the units. The refrigerator control displays temperature in °C or °F. The factory setting is °C. Starting from the temperature display mode (Mode LED off), press the *Menu* key twice. The current temperature units are displayed. To switch between units, press the *UP* or *DOWN* arrow key then press the *Menu* key to select. The unit LED will be displayed on the right of the temperature display.

Calibration Offset

In the event the refrigerator needs to be calibrated, a simple routine is available to adjust the display and control point to a referenced standard. To set a temperature offset, press and hold the *Menu* keypad for 5 seconds. The display will flash *oS* followed by the last temperature offset value. The factory setting is 0. To change the offset value, press the *UP* or *DOWN* arrow key, then press the *Menu* key. The value shown in the display will be added to the previous temperature reading. The display will then flash *Ho*.

For Example:

The display indicates 4°C but a reference thermometer in the refrigerator chamber indicates 6°C. The operator presses and holds the *Menu* keypad for 5 seconds, then changes the display value from 0 to +2 by using the UP arrow key. Press the *Menu* key again. Now the display indicates a chamber temperature of °6 C and the controller begins to cool (as long as 3-min. delay period has expired) to the desired temperature of 4°C as shown on the reference thermometer.

Allow an additional 30 to 40 minutes for the refrigerator to again stabilize. If the display is still inaccurate, repeat the calibration offset procedure.



CAUTION: INCREASING the offset value DECREASES the temperature at which the system controls. If the offset is inadvertently set too high, the chamber's control temperature can fall below zero and cause evaporator freeze-up. This is caused by the evaporator temperature not rising above 0°C and not defrosting during the compressor "off cycle".

NOTE: While in any of the controller mode setups (temp set, calibration offset or units), the controller will wait 15 seconds for a new value to be entered. If there is no keypad operation within the 15-second time window, control will automatically revert to the temperature display mode and the *Mode* LED will turn off.

Hold-Off Time

Following the offset menu is the hold-off (Ho) menu. The display will momentarily flash "Ho", followed by a number. The number shown is the delay time in minutes between compressor activations. Use the UP/DOWN keypads to change the value.

Increasing the hold-off time will allow additional time for the evaporator to defrost during the off-cycle. This can reduce the chance of evaporator freeze-up during times of high humidity. Pressing the *Menu* keypad while in the Ho mode, enters the hold-off time displayed, and returns controller operation to the temperature display mode.

Error Codes

Error codes indicate when the controller is sensing a problem. A description of each is given below. See the **Troubleshooting Table** for additional information on error codes.

- E1 Open sensor.
- E2 Under temperature. Temperature at sensor is less than -36°C.
- E3 Over temperature. Temperature at sensor is greater than 37°C.

Fluorescent Lamps

The interior lamp is controlled by a rocker switch on the header panel. This light may be operated any time the cabinet power is turned on at the keyed power switch. If the interior lamp fails, replace with the same size and wattage lamp. **DO NOT USE REDUCED WATTAGE LAMPS.** The reduced wattage lamps generally fail to light below 60 °F (15 °C).

Convenience Outlet

(Chromatography Refrigerators Only)

Chromatography Refrigerators come equipped with a convenience outlet located in the center of the back wall. Model 172G's (three doors) have two convenience outlets. The total power that can be supplied by the outlet (or outlets in 3-door models) is 5A @ 120VAC (4A @ 120VAC for the 3-door models). The outlet(s) is protected by a circuit breaker located just below and to the right of the outlet(s). Pressing the breaker button resets the breaker after a fault.



WARNING: The convenience outlet is LIVE at any time the unit is connected to an electrical power source, regardless of the position of the key switch.

Manual/Automatic Condenser Fan

A rocker switch located on the left side of the top of the inside of the chamber is used to operate the condenser fan automatically or manually. With the switch in the automatic position, the condenser fan operates with the compressor. In the manual position, the condenser fan operates continuously.

During times of high ambient relative humidity conditions, more water is condensed on the evaporator and directed to the condensate pan. The condenser fan will run continuously in the manual setting to better dispose of this water. At times of low relative humidity, the switch can be set to automatic.

Trouble Shooting Table

This table is intended to assist in resolving user-correctable Refrigerator problems by relating symptoms to their likely causes. If service beyond the scope of this table is required, contact Fisher Scientific Service Division @ 1-800-395-5442.

Symptom	Probable Cause	Action
Does Not Run	Unit Unplugged	Plug in Unit
	Blown fuse or tripped circuit breaker.	Check fuse or circuit breaker at breaker box.
Runs Continuously	Frost buildup on refrigeration coils	Defrost unit. Increase Ho time.
Clicking Sound	The compressor is equipped with a thermal protector. This device shuts off the compressor when it becomes too hot. A clicking sound occurring about every 30 seconds indicates this protector is working	Disconnect power and call for service.
Insufficient Cooling	Set temp is too high	Reduce temperature setting, verify <i>Cool</i> LED is on.
	Condenser coil dirty	Clean condenser coil with a vacuum cleaner
	Unit frosted	Defrost unit
Display shows E1 (error code)	Open sensor	Check sensor connection
Display shows E2 (error code)	Under Temp	Temperature at sensor is less than -36°C or sensor is malfunctioning.
Display shows E3 (error code)	Over Temp	Temperature at sensor is greater than 37°C or sensor is malfunctioning

Maintenance



CAUTION: When servicing the unit, disconnect from the electrical power source

Cabinet Cleaning

The cabinet interior should be cleaned frequently. Any spilled liquid should be wiped off immediately. Stains resulting from some spills can be permanent if not quickly removed. The most convenient time to clean the interior is after defrosting. The cabinet exterior should be cleaned occasionally. A mild detergent and lukewarm water or a solution of bicarbonate of soda (1 tablespoon per gallon of water) is recommended for cleaning the interior and exterior of the cabinet. All surfaces should be rinsed and thoroughly dried.



CAUTION: Do not use any type of abrasive such as steel wool, or fluids such as gasoline, Naphtha, or thinner. These materials could be harmful to plastic materials, door gasket, and painted surfaces.

Cleaning the Condenser

For efficient operation, it is recommended that the condenser coil and fan be cleaned every 4 to 6 months.. The condenser coil is located behind the base grille, at the bottom of the unit.. See *Leveling the Unit* for instructions on removing the base grille.

Vacuum clean the front surface of the coil thoroughly, or direct forced air through the condenser from the rear. If necessary, use a stiff bristled brush to loosen any dirt. Failure to keep the condenser clean will void the warranty.



Caution: Accessing and cleaning the condenser coil or evaporator pan should be done by qualified personnel.

Condensate Evaporator Pan

The *condensate evaporator pan* is located behind the base grill between the condenser fan and compressor. This pan should be cleaned at least once a year to prevent foul odors and operate efficiently. Vacuum clean if dry, or sponge clean with soapy water.

Replacement Parts

Replacements for Laboratory Refrigerator parts serviceable by the user may be ordered, by part number, from Fisher Scientific Co. @ 1-800-766-7000.

Item	Part Number
<u>Shelves</u>	
Model 127/227	13-986-210A
Model 133/233	13-986-210B
Model 138/238	13-986-210U
Model 145/245	13-986-210C
Model 149/249 & 172/272	13-986-210D
<u>½ Shelves</u>	
Model 127/227	13-986-210F
Model 133/233	13-986-210G
Model 138/238	13-986-210T
Model 145/245	13-986-210H
Model 149/249 & 172/272	13-986-210J
Solid State Relay (K1)	SPN88616
Temperature Controller	SPN103508
International Version Controller (220V)	SPN105402
Condenser Pan Wick	SPN104433
Front Shelf Support	SPN103264
Rear Shelf Support	SPN103265

Performance Characteristics

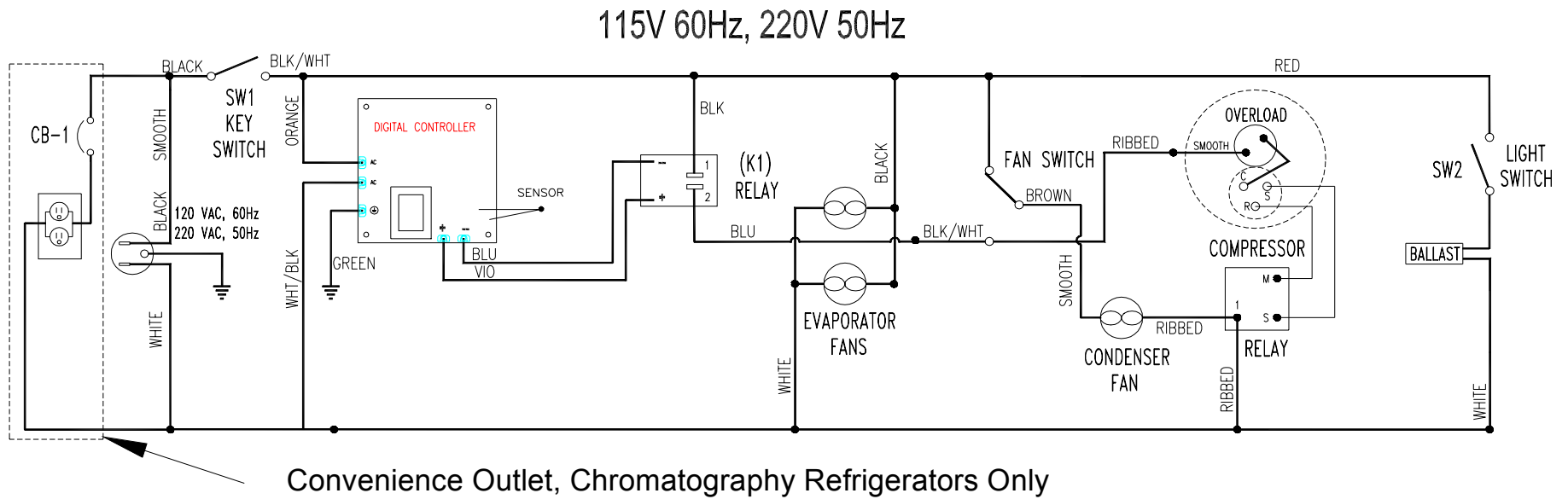
Temperature Range: 1° to 12°C (34° to 54°F)

Temperature Stability: +/- 3°C

Power Requirements

Catalog Number	Volts(+/-10%)	Amps	Hz
13-986-127G/GR/GA	115	13.5	60
13-986-133G/GR/GA	115	16.0	60
13-986-138G/GR/GA	115	16.0	60
13-986-145G/GR/GA	115	16.0	60
13-986-149G/GR/GA	115	16.0	60
13-986-172G/GR/GA	115	16.0	60
13-986-227G/GR/GA	115	8.5	60
13-986-227R/RR/RA	115	8.5	60
13-986-233G/GR/GA	115	10.5	60
13-986-238G/GR/GA	115	10.5	60
13-986-245G/GR/GA	115	10.5	60
13-986-249G/GR/GA	115	10.5	60
13-986-249R/RR/RA	115	10.5	60
13-986-272R/RR/RA	115	12.0	60

Wiring Diagram



Part No. 104416 Rev G
Isotemp Laboratory Refrigerators
Published 10 – 2003

Fisher Scientific Co.
2000 Park Lane
Pittsburgh, PA 15275

Free Manuals Download Website

<http://myh66.com>

<http://usermanuals.us>

<http://www.somanuals.com>

<http://www.4manuals.cc>

<http://www.manual-lib.com>

<http://www.404manual.com>

<http://www.luxmanual.com>

<http://aubethermostatmanual.com>

Golf course search by state

<http://golfingnear.com>

Email search by domain

<http://emailbydomain.com>

Auto manuals search

<http://auto.somanuals.com>

TV manuals search

<http://tv.somanuals.com>