

Voyager[®]

VCCYL35 - Color (NTSC) Cylindrical Observation Camera



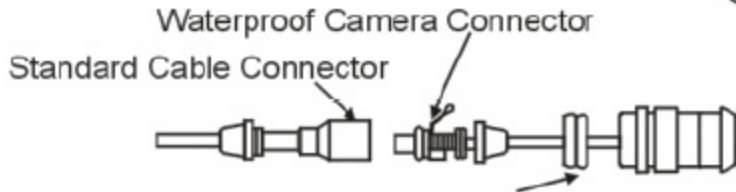
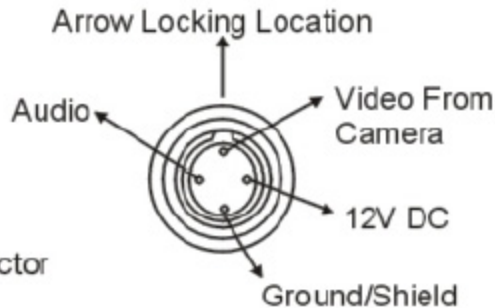
Features:

- High-Resolution, 1/3" Color CCD
- Electronic Iris
- Inverted (Mirrored) Image Orientation
- Waterproof Design
- Compact Aluminum Housing
- Easy Mounting

Contents:

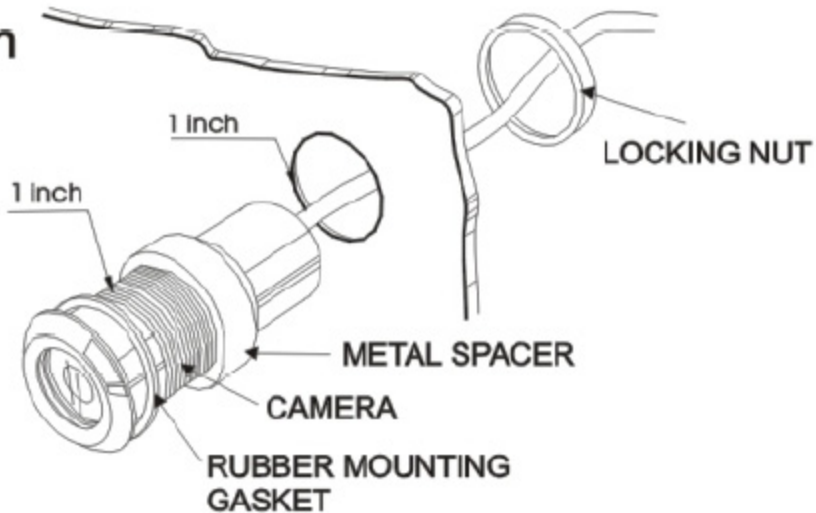
- Camera
- Locking nut
- Metal Spacer
- Rubber Mounting Gasket

Installation and Pin Out:

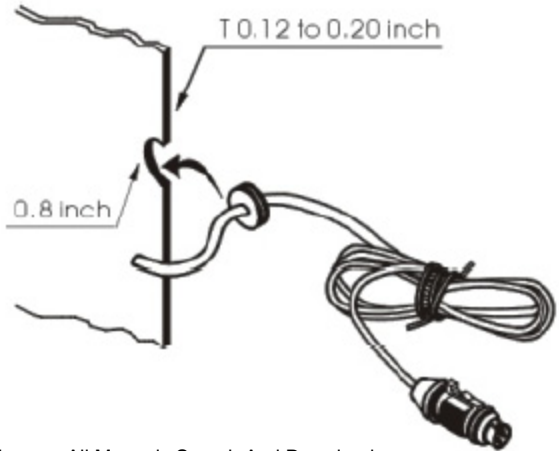


Grommet To Seal Through Vehicle Exterior

Installation



Recommended grommet Hole & Mtg. thickness



Specifications

Signal System	: NTSC
Image Sensor	: 1/3" Color Cylindrical Observation Camera 270K pixels
Power	: 12VDC / 200mA
Viewing Angle	: 93°(H), 68°(V), 120°(D)
Outer Dimensions	: Ø 30 (W) X 55 (D) mm Ø 1.2 (W) X 2.2 (D) Inch
Weight	: 134g

* Specifications are subject to change without notice.

ASA

AUDIOVOX **S**PECIALIZED **A**PPPLICATIONS, L.L.C.

www.asaelectronics.com

Free Manuals Download Website

<http://myh66.com>

<http://usermanuals.us>

<http://www.somanuals.com>

<http://www.4manuals.cc>

<http://www.manual-lib.com>

<http://www.404manual.com>

<http://www.luxmanual.com>

<http://aubethermostatmanual.com>

Golf course search by state

<http://golfingnear.com>

Email search by domain

<http://emailbydomain.com>

Auto manuals search

<http://auto.somanuals.com>

TV manuals search

<http://tv.somanuals.com>