

RM 6210

9U 20" Rack Mount LCD Monitor User's Manual

Rev 1.0

Packing List

The complete RM 6210 package consist of:

- Rack mount 20.1" 1600 x 1200 TFT LCD display x 1
- 6' VGA cable (male to male) x 1
- Auto switch power adapter x 1
- User manual x 1
- AC Power cord x 1

Check to make sure that the unit was not damaged in shipping. If you encounter a problem, contact your dealer.

Please read this manual thoroughly, and follow the installation and operation procedures carefully to prevent any damage to the product, and/or any of the devices that connect to it.

Safety Instructions

1. Please read these safety instructions carefully.
2. Please keep this User's Manual for later reference.
3. Please disconnect this equipment from AC outlet before cleaning. Don't use liquid or sprayed detergent for cleaning. Use moisture sheet or clothe for cleaning.
4. For pluggable equipment, the socked-outlet shall be installed near the equipment and shall be easily accessible.
5. Please keep this equipment from humidity.
6. Lay this equipment on a reliable surface when install. A drop or fall could cause injury.
7. Do not leave this equipment in an environment unconditioned, storage temperature above 60⁰ C, it may damage the equipment.
8. The opening on the enclosure is for air convection hence the equipment from overheating. DO NOT COVER THE OPENING.
9. Make sure the voltage of the power source connect the equipment to the power outlet.
10. Please keep the power cord such a way that people can not step on it. Do not place anything over power cord. The power cord must rate for the voltage and current marked on the product's electrical ratings label. The voltage and current rating of the cord should be greater than the voltage and the current rating marked on the product.
11. All cautions and warning on the equipment should be noted.
12. If the equipment is not in use for long time, disconnect the equipment from mains to avoid being damaged by transient over-voltage.
13. Never pour any liquid into ventilation openings; this could cause fire or electrical shock.
14. Never open the equipment. For safety reason, qualified service personnel should only open the equipment.
15. If one of the following situations arises, get the equipment checked by service personnel.
 - The Power Cord or plug is damaged.
 - Liquid has penetrated into the equipment.
 - The equipment has been exposed to moisture.
 - The equipment has not worked well or you can not get it work according to User's Manual.
The equipment has dropped and damaged.
 - If the equipment has obvious signs or breakage.

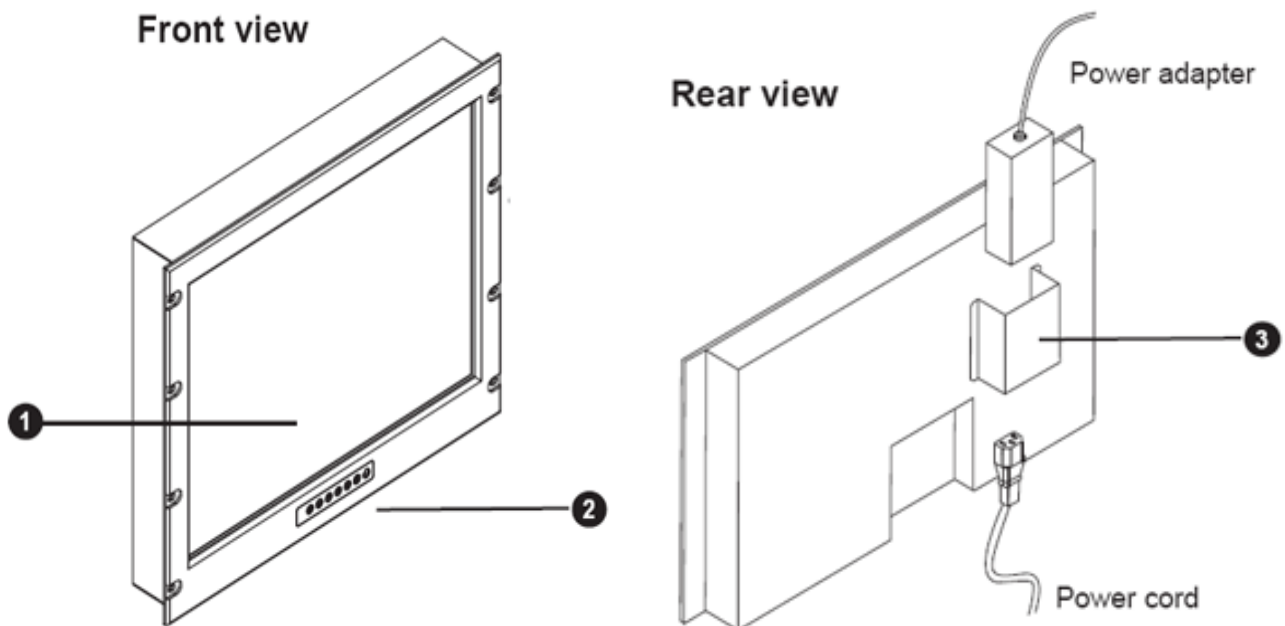
Index of Contents

Packing List	2
Safety Instructions	3
Index of Contents	4
1. General Information	5
1.1 Overview	5
1.2 Product Specification	6
2. Rack Mount Installation	7
3. OSD Menu	8
3.1 OSD Menu Membrane Switch	8
3.2 On Screen Display Menu	9
3.2.1 Image	9
3.2.2 Geometry	9
3.2.3 Function	10
3.2.4 System	10
4. Connection Diagram	11
4.1 Video Connection Diagram	11
4.2 Touch Screen Connection Diagram.....	12
5. Touch Screen Specification	12
6. DC Input power Supply (option).....	13
7. Trouble shooting	14

1. General Information

1.1 Overview

The RM6210 is a 9U rack mount LCD monitor with 20.1" 1600X 1200 TFT LCD monitor and rugged metal black color front bezel. This monitor comes with a standard 15-pin VGA video input and front access OSD membrane switch. Optional Video-input for S-video / BNC / RCA connector and USB or PS/2 type resistive-type touch. RM 6210 comes with an external 110/220VAC power adapter, 12/24/48 VDC power input is available for customer's application.



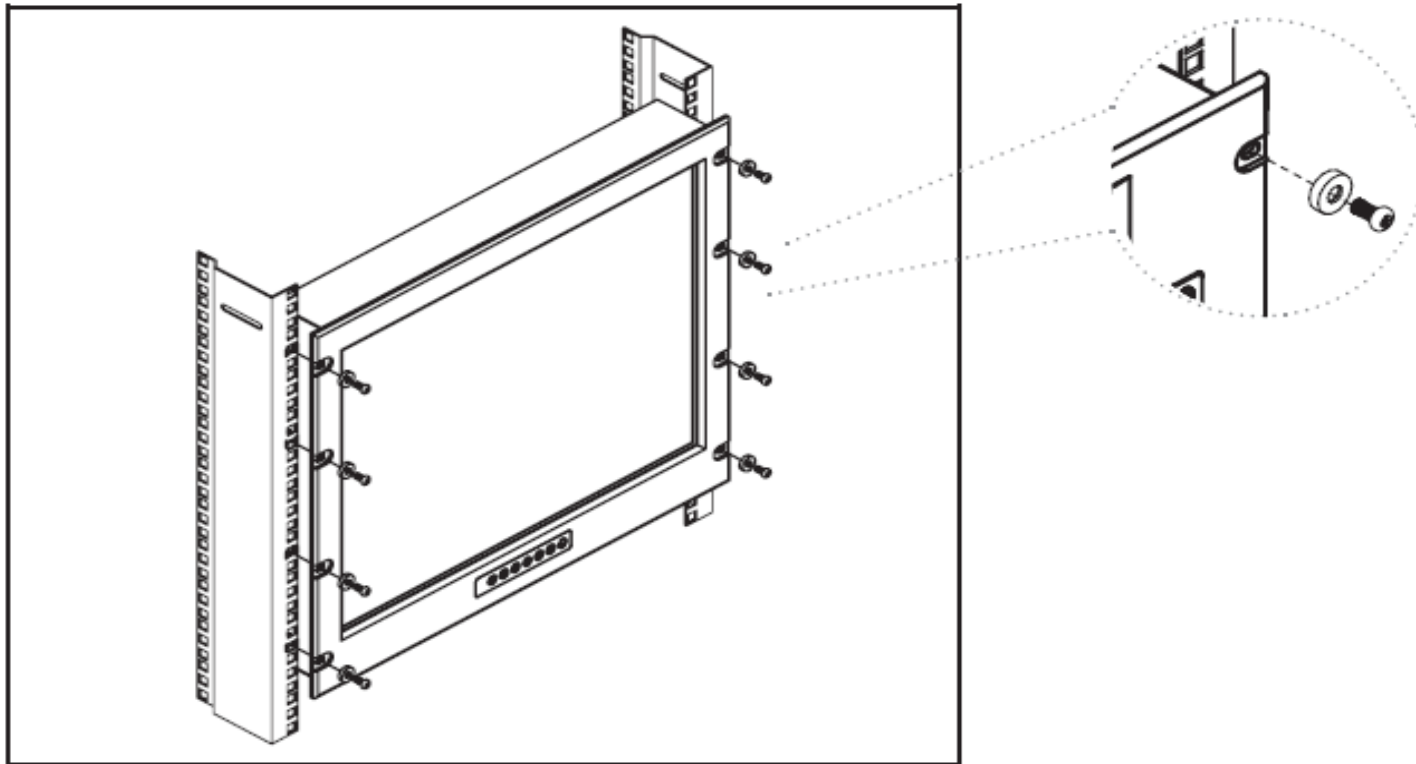
1. 20" 1600X1200 TFT LCD monitor
2. Membrane OSD Menu switch
3. External 110/220VAC power adapter with bracket

1.2 Product Specification

Model name	RM 6210
Dimension	480 x 67 x 400.5mm/18.9 x 2.6" x 15.75inches
Net Weight	12 Kg / 26.5 lbs
Display Size	19 inches
Panel Type	Active Matrix TFT LCD
Resolution Capabilities	Maximum Resolution up to 1600 x 1200
Viewing Angle (CR>10)	Right-Left view 160°(Typ) Up-Down View 160°(Typ)
Contrast Ratio	800:1
Brightness	White 300 cd/m ² (Center 1 point Typ)
Tr Response Time (ms)	1 ms
Supported Colors	16.7M Colors (6-bit with FRC)
Display Area (mm)	406 x 306
VGA Signal Input	Analog RGB, 0.7Vp-p
Sync. Type	Separate H/V, Composite, SOG
Resolution	640 x 350, 70 Hz 720 x 400, 70 Hz 640 x 480, 60/ 72/ 75 Hz 800 x 600, 60/ 70/ 72/ 75 Hz 1024 x 768, 60/ 70/ 72/ 75 Hz 1152 x 864, 60/ 70/ 75 Hz 1280 x 1024, 60/ 70/ 75 Hz 1600 x 1200, 60 Hz
Cables	1 x 6' D-sub VGA male to male Cable
Plug & Play DDC	EDID 1.3
Power Source	Auto-sensing 100 to 240VAC, 50 / 60Hz
Power Consumption	Max. 40 Watt, Standby 5 Watt
Temperature	Operate 0 ~ 50°C / 32 ~ 122°F Storage -20 ~ 60°C / -4 ~ 140°F
Humidity	10% ~ 90% RH
Shock Vibration	10G acceleration (11ms duration) 5~500Hz 1G RMS random vibration
Chassis Construction	Heavy duty steel materials
Certification	CE / FCC, ROHs Compliance

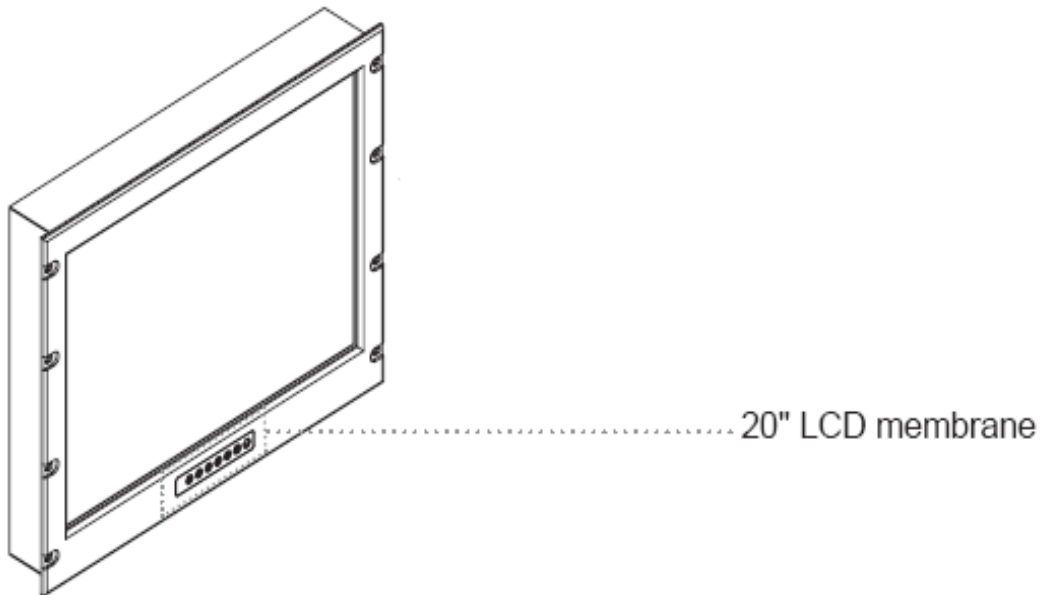
2. Rack mount Installation






1. Find the property position and size to screw rack mount front bezel onto the server rack mount first.
2. Lift & push the rack mount monitor into the rack cabinet, and screw between bracket and rack mount monitor with screws.



3. OSD Menu

3.1 OSD Menu Membrane Switch



Membrane Switch	Function
	Power light Green = On Orange = Power saving
	Power on / off LCD
	Display the OSD menu
	Scrolls through menu options and adjusts the displayed control
	Exit the OSD screen Shortcut key to auto adjustment by pressed the button for 5 seconds OF Toggle analog, digital & video connection (DVI-D and video options only)

3.2 On screen Display menu

3.2.1 Image



Brightness: Adjust background black level of the screen image

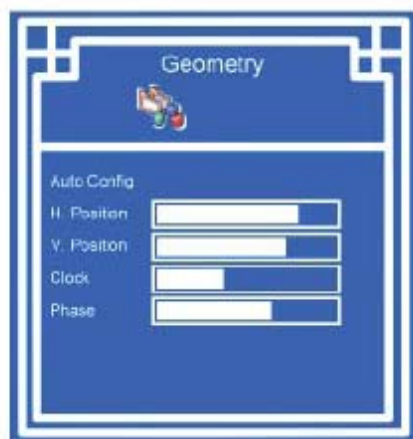
Contrast: Adjust the difference between the image background (black level) and the foreground (white level)

Sharpness: Adjust the image from weak to sharp

Saturation: Adjust the saturation of the image color

Hue: Adjust the screen hue value

3.2.2 Geometry



Auto Configuration: Adjust automatically sizes, centers, and fine tunes the video signal to eliminate waviness and distortion .An “ Adjusting” message is displayed during the process.

H. Position: Align the screen image left or right

V. Position: Align the screen image up or down

Clock : Adjust the clock value

Phase: Adjust the phase value

3.2.3 Function



OSD Position: Adjust OSD menu horizontal and vertical position

OSD Zoom: Adjust the difference between the image background (black level) and the foreground (white level).

Color Temp: Select the screen color - 5500K, 6500K & 9500K.

The factory default is 6500 K.

3.2.4 System



Language: Select the language in which the OSD menu is displayed -

English, Chinese (中文), Japanese (日本語), German,

French, Spanish, Italian.

Time: Function is not supported

Power OFF: Function is not supported

Reset: Recall returns the adjustments back to factory settings.

4. Connecton Diagram

The RM6210 comes with a standard 15-pin VGA video input and external 110/220VAC power adapter.
Optional Video-input for S-video / BNC / RCA connector and USB or PS/2 type resistive-type touch.

4.1 Video-input Connection Diagram



15-pin D-sub VGA



15-pin D-sub VGA and DVI-D



15-pin D-sub VGA, S-video and RCA

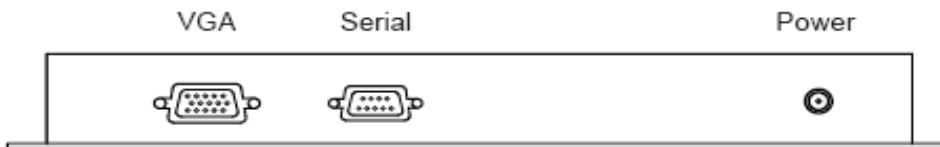


15-pin D-sub VGA, S-video and BNC

4.2 Touch Screen Connection Diagram



15-pin D-sub VGA and USB-type touch screen



15-pin D-sub VGA and Serial-type touch screen

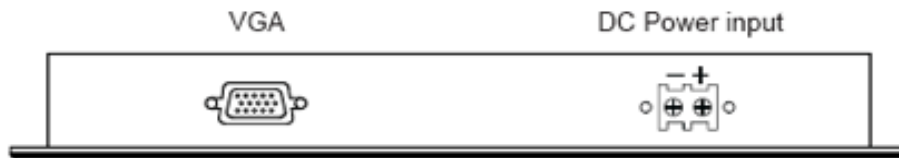
5. Touch Screen Specification

Touch screen type	Resistive-type
Interface	USB or PS/2
Optical transmittance	82%±5%
Surface hardness	≥3H (JIS K5400)
Operating system	Windows 98 / 2000 / ME / XP / NT / CE, DOS, Linux

Remarks

- USB touch screen package includes an extra 6ft USB cable, quick reference guideline and CD disc
- Serial touch screen package includes an extra 6ft serial cable, quick reference guideline and CD disc
- For detailed information, please refer to the attached CD disc
- As the touch screen unit is not made of toughened glass, please handle it carefully.

6. DC Input Power Supply (Option)



Model	12V	24V	48V
Input rating			
Input voltage:	12-Volt	24-Volt	48-Volt
Input range:	9 ~ 18V	18 ~ 36V	36 ~ 75V
Input current			
- No load	50 mA	50 mA	50 mA
- Full load	4950 mA	2450 mA	1220 mA
Output rating			
Output voltage:	12-Volt	12-Volt	12-Volt
Output current:	4.16A	4.16A	4.16A
Efficiency	84%	85%	85%

7. Trouble shooting

1. How do I adjust the resolution?

To change monitor resolution, click Start -> Control Panel -> Display. Select Setting tab to adjust the monitor resolution in Desktop Area. The available resolutions, "640 x 480", "800 x 600", "1024 x 768", "1152 x 864", "1280 x 1024", are determined by the display card in your computer.


2. Is interference signal appeared on LCD normal when shutting down the computer ?

In rare cases, interference may appear on the monitor. This may be caused by signal rate of VGA card and is considered normal. The image quality can be improved by adjusting the phase or pixel rate automatically or manually.

3. The membrane button power light is not ON

Press the power On / Off on LCD membrane button to check if the monitor is in the ON mode. Check the power cord is properly connected to the LCD keyboard drawer and power outlet.

4. Screen image is not centered or sized properly

Press the  button for two seconds to automatically adjust the image. Adjust the H-position and V-position settings via On-screen menu.

Free Manuals Download Website

<http://myh66.com>

<http://usermanuals.us>

<http://www.somanuals.com>

<http://www.4manuals.cc>

<http://www.manual-lib.com>

<http://www.404manual.com>

<http://www.luxmanual.com>

<http://aubethermostatmanual.com>

Golf course search by state

<http://golfingnear.com>

Email search by domain

<http://emailbydomain.com>

Auto manuals search

<http://auto.somanuals.com>

TV manuals search

<http://tv.somanuals.com>