

aiwa

Compact Disc Stereo System

XR-MG9

COMPACT
disc
DIGITAL AUDIO

U

For assistance and information

call toll free 1-800-BUY-AIWA

(United States and Puerto Rico)

8B-CLR-903-01
010601AYK-H-B

OPERATING INSTRUCTIONS

En (English)

MANUAL DE INSTRUCCIONES

E (Español)

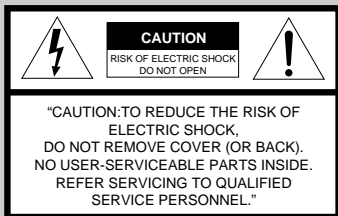
MODE D'EMPLOI

F (Français)

PRECAUTIONS

WARNING

To reduce the risk of fire or electric shock, do not expose this appliance to rain or moisture.



Explanation of Graphical Symbols:

The lightning flash with arrowhead symbol, within an equilateral triangle, is intended to alert the user to the presence of uninsulated "dangerous voltage" within the product's enclosure that may be of sufficient magnitude to constitute a risk of electric shock to persons.



The exclamation point within an equilateral triangle is intended to alert the user to the presence of important operating and maintenance (servicing) instructions in the literature accompanying the appliance.



Read these Operating Instructions carefully and completely before operating the unit. All precautions in this booklet and on the unit should be strictly followed.

Keep the Operating Instructions for future reference.

Installation

1 Water and moisture — Do not use this unit near water, such as near a bathtub, washbowl, swimming pool, or the like.

2 Heat — Do not use this unit near sources of heat, including heating vents, stoves, or other appliances that generate heat. It also should not be placed in temperatures less than 5°C (41°F) or greater than 35°C (95°F).

3 Mounting surface — Place the unit on a flat, even surface.

4 Ventilation — The unit should be situated with adequate space around it so that proper heat ventilation is assured. Allow 10 cm (4 in.) Clearance from the rear and the top of the unit, and 5 cm (2 in.) from each side.

- Do not place the unit on a bed, rug, or similar surface that may block the ventilation openings.

- Do not install the unit in a bookcase, cabinet, or airtight rack where ventilation may be impeded.

5 Objects and liquid entry — Make sure that objects or liquids do not get inside the unit through the ventilation openings.

6 Carts and stands — When placed or mounted on a stand or cart, the unit should be moved with care. Quick stops, excessive force, and uneven surfaces may cause the unit or cart to overturn or fall.



7 Condensation — Moisture may form on the CD pickup lens when:

- The unit is moved from a cold spot to a warm spot
- The heating system has just been turned on
- The unit is used in a very humid room
- The unit is cooled by an air conditioner

When this unit has condensation inside, it may not function normally. Should this occur, leave the unit for a few hours, then try to operate again.

8 Wall or ceiling mounting — The unit should not be mounted on a wall or ceiling, unless specified in the Operating Instructions.

Electric Power

1 Power sources — Connect this unit only to power sources specified in the Operating Instructions, and as marked on the unit.

2 Polarization — As a safety feature, some units are equipped with polarized AC power plugs which can only be inserted one way into a power outlet. If it is difficult or impossible to insert the AC power plug into an outlet, turn the plug over and try again. If it still does not easily insert into the outlet, please call a qualified service technician to service or replace the outlet. To avoid defeating the safety feature of the polarized plug, do not force it into a power outlet.

3 AC power cord

- When disconnecting the AC power cord, pull it out by the AC power plug. Do not pull the cord itself.

- Never handle the AC power plug with wet hands, as this could result in fire or shock.

- Power cords should be firmly secured to avoid being severely bent, pinched, or walked upon. Pay particular attention to the cord from the unit to the AC outlet.

- Avoid overloading AC outlets and extension cords beyond their capacity, as this could result in fire or shock.

4 Extension cord — To help prevent electric shock, do not use a polarized AC power plug with an extension cord, receptacle, or other outlet unless the polarized plug can be completely inserted to prevent exposure of the blades of the plug.

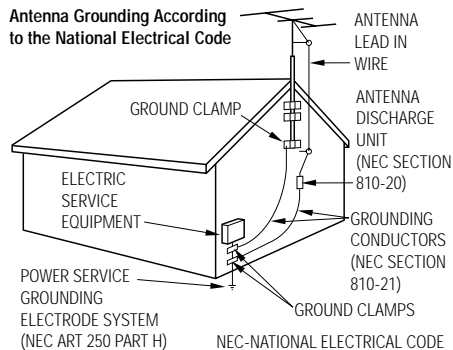
5 When not in use — Unplug the AC power cord from the AC outlet if the unit will not be used for several months or more. When the cord is plugged in, a small amount of current continues to flow to the unit, even when the power is turned off.

Outdoor Antenna

1 Power lines — When connecting an outdoor antenna, make sure it is located away from power lines.

2 Outdoor antenna grounding — Be sure the antenna system is properly grounded to provide protection against unexpected voltage surges or static electricity build-up. Article 810 of the National Electrical Code, ANSI/NFPA 70, provides information on proper grounding of the mast, supporting structure, and the lead-in wire to the antenna discharge unit, as well as the size of the grounding unit, connection to grounding terminals, and requirements for grounding terminals themselves.

Antenna Grounding According to the National Electrical Code



Maintenance

Clean the unit only as recommended in the Operating Instructions.

Damage Requiring Service

Have the unit serviced by a qualified service technician if:

- The AC power cord or plug has been damaged
- Foreign objects or liquid have gotten inside the unit
- The unit has been exposed to rain or water
- The unit does not seem to operate normally
- The unit exhibits a marked change in performance
- The unit has been dropped, or the cabinet has been damaged

DO NOT ATTEMPT TO SERVICE THE UNIT YOURSELF.



As an ENERGY STAR® Partner, AIWA has determined that this product meets the ENERGY STAR® guidelines for energy efficiency.

OWNER'S RECORD

Record the model number and serial number of your set (found at the rear of your set) below. Refer to them when contacting your Aiwa dealer.

Model No. _____

Serial No. _____

TABLE OF CONTENTS

PRECAUTIONS	2
PREPARATIONS	4
PARTS AND CONTROLS	5
ADJUSTMENTS BEFORE OPERATION	8
SOUND ADJUSTMENTS	9
CD OPERATIONS	10
RADIO OPERATIONS	12
TIMER OPERATIONS	13
REFERENCE	14

System and accessories

Main unit CX-LMG9

Speakers SX-LMG9

Speakers cords

Remote control

Lithium battery (CR2025)

FM antenna

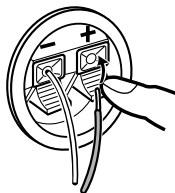
AM antenna

PREPARATIONS

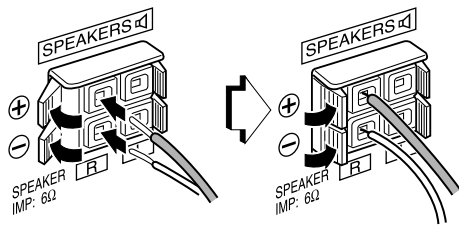
Connection

Plug in the AC power cord to the AC outlet after all other connections are made.

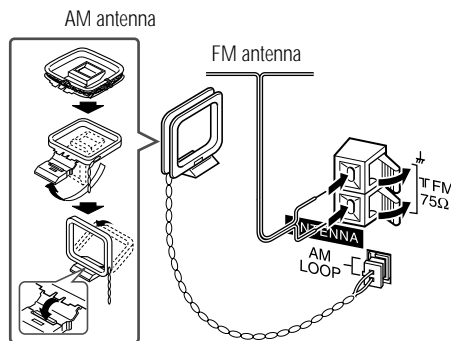
- 1 Connect the speaker cords to the speakers.
Connect the amber cords to the + terminals and the silver cords to the – terminals.



- 2 Connect the speakers to the main unit.
Connect the right speaker to the SPEAKERS R terminals and the left to the SPEAKERS L terminals. The amber speaker cords go to the ⊕ terminals.



- 3 Connect the supplied antennas.
Connect the FM antenna to the FM 75 Ω terminals and the AM antenna to the AM LOOP jack.



- 4 Connect the AC power cord to an AC outlet.
When the AC power cord is connected to an AC power outlet for the first time, DEMO appears on the display. To deactivate the DEMO, press DEMO/ECO and the clock will flash on the display. For setting the clock, see page 9.

Speakers

- Do not short-circuit the ⊕ and ⊖ speaker cord leads.
- Do not leave objects generating magnetism or objects affected by magnetism near the speakers.

Antennas

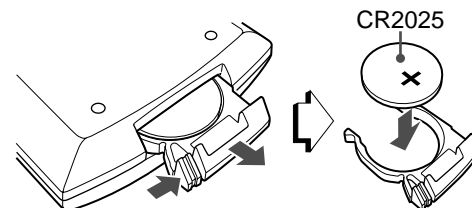
Keep antennas away from metallic objects, electrical equipment and cords.

FM antenna: Extend fully in a T-shape. If reception is poor, connect an optional outdoor antenna to the FM 75 Ω terminals. Be sure to connect the shield braid of the antenna to the ⚡ terminal.

AM antenna: Rotate to find the best reception.

Remote control

While sliding the latch, pull out the battery holder from the bottom of the remote control. Place the supplied battery on the battery holder with correct polarity. Finally, insert the holder back into position.



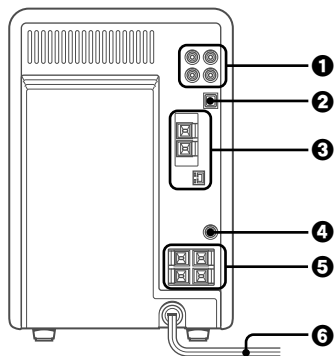
- Replace the battery with new one when the operational distance between the remote control and main unit becomes shorter.
- Remove the battery if the unit is not going to be used for an extended period of time.
- The remote control may not operate if it is used under intense sunlight or if its line of sight is obstructed.

Caution!

- Do not keep the battery near metallic objects such as rings, bracelets, and keys. It may cause the battery to short circuit.
- After removing the battery, be sure to keep it out of reach of children. In case it is swallowed, consult a doctor immediately.

PARTS AND CONTROLS

Main unit: rear



1 LINE OUT jacks

Analog sound signals for CD or radio can be output through these jacks. Use a cable with RCA phono plugs to connect audio equipment.

Connect the red plug to the R jack, and the white plug to the L jack.

Signals input through the AUX/VIDEO IN jacks are not output from the LINE OUT jacks.

AUX/VIDEO IN jacks

Accept analog sound signals from external equipment. Connect external equipment using an optional connecting cable with RCA phono plugs (red plug to the R jack, white plug to the L jack). Refer also to the operating instructions for your equipment.

To switch function to external input, press FUNCTION repeatedly to select the AUX (VIDEO or TV) function.

Tip:

To change a source name in the display, hold down ►► and press POWER while the power is on.

AUX → VIDEO → TV

2 DIGITAL OUT (OPTICAL) jack

CD digital sound signals can be output through this jack. Use an optical cable to connect digital audio equipment. Remove the dust cap from the DIGITAL OUT (OPTICAL) jack. Then connect an optical cable plug to the DIGITAL OUT (OPTICAL) jack.

When you record the sound signals of this unit with digital audio equipment (MD recorder, CD recorder, etc.) connected to this jack, the beginning of the first track may not be recorded.

3 AM LOOP jack and FM 75 Ω terminals

Plug in the supplied AM and FM antennas.

4 SUPER WOOFER jack

Connect an optional powered sub woofer with a built-in amplifier to this jack.

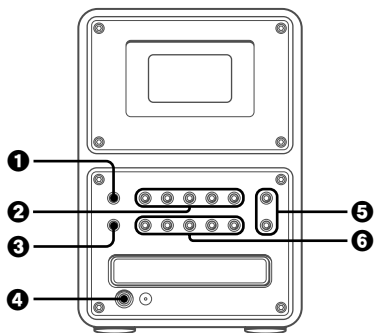
5 SPEAKERS terminals

Connect the supplied speakers using the supplied speaker cords.

6 AC power cord

En

Main unit: front



1 POWER STANDBY/ON

Switches the unit on and off (standby).

2 /SET

CD: pauses playback.

Radio: stores the received station to preset.

/CLEAR

CD: stops playback.

Radio: clears a preset station.

/PRESET

CD: starts playback.

Radio: tunes in a preset station.

(TUNING)

CD: skips to a previous or a succeeding track when pressed, searches a track in fast forward or reverse playback when held down.

Radio: manually tunes up or down within the band.

3 DEMO/ECO

When the unit is turned off: selects DEMO mode or displays the clock (when ECO mode is deactivated).

When the unit is turned on: selects ECO mode on and off.

4 PHONES jack

Plug in optional headphones set with a stereo mini plug ($\varnothing 3.5$ mm, $1/8$ in.). Speaker output is canceled.

5 VOLUME UP, DOWN

Adjusts the volume.

6 FUNCTION

Switches the active function among FM/AM, AUX (VIDEO or TV) and CD.

TUNER/BAND

Selects radio function and the radio band.

T-BASS

Emphasizes low frequency sound.

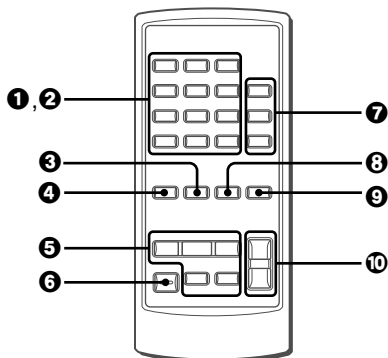
EQ

Selects a sound equalization curve.

OPEN/CLOSE

Opens or closes the disc compartment.

Remote control



Buttons with the same or similar names on the main unit basically have the same function.

❶ 0–10, +10

CD: selects a track of the specified number.

Radio: tunes in the station with the specified preset number.

- ❷ The numbered buttons take on these functions when pressed with *SHIFT* held down:

RANDOM/REPEAT

Selects random or repeat CD playback mode.

PROGRAM

Selects programmed CD playback mode.

DISPLAY

CD: displays the track number being played, remaining time of play and current volume level.

Radio: displays the frequency of the tuned station and current volume level.

TIMER

Selects timer playback setting mode.

SLEEP

Selects sleep-timer setting mode.

CLOCK

Selects clock setting mode.

TUNER MONO

Switches between stereo or monaural FM reception.

❸ T-BASS

❹ SHIFT

Hold down when pressing a numbered button to change its function to that printed above the number.

❺ ►PRESET

◀◀/◀, ▶▶/▶▶ (TUNING DOWN/UP)

||SET

■CLEAR

❻ POWER

❼ TUNER/BAND

Selects radio function and the radio band.

AUX

Selects the function of external equipment connected to the AUX/VIDEO IN jacks.

CD

Selects CD function.

❽ EQ/QSURROUND

EQ: selects a sound equalization curve.

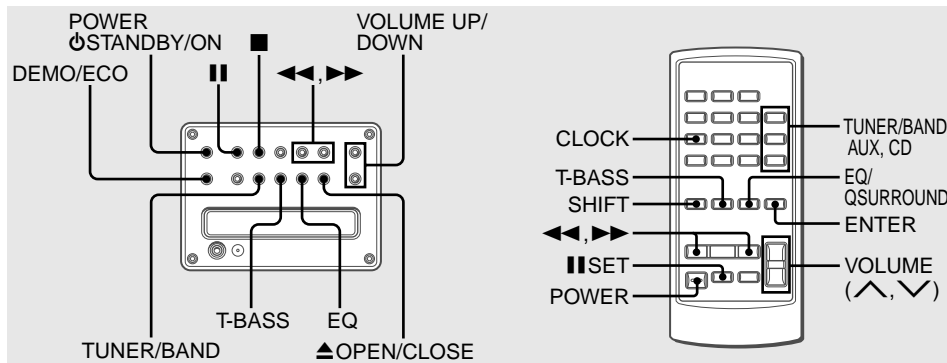
QSURROUND: turns Q SURROUND on and off.

❾ ENTER

Determines the mode and the time (clock and timer).

❿ VOLUME (∧, ∨)

ADJUSTMENTS BEFORE OPERATION



When the power economizing mode is activated "GOOD-BYE" is displayed for 4 seconds, and everything on the display clears. Only the red indicator on the POWER button lights to show that power is being supplied to the unit.

Standby power consumption

When the power economizing mode is activated: 1.0 W
When the power economizing mode is deactivated: 12.0 W

Power

Turning the unit on

Press POWER (with a power symbol) STANDBY/ON (POWER on the remote control).

Alternatively, press TUNER/BAND (AUX or CD on the remote control). Playback will start automatically if a disc is inserted.

Turning the unit off

Press POWER (with a power symbol) STANDBY/ON again. The unit goes into standby.

Volume

Press VOLUME (UP or DOWN) (VOLUME (with up and down arrow symbols)) on the remote control).

Adjust from 0 (minimum) to 30 and MAX (maximum).

Tip:

Volume level setting is retained during power-off standby. If the unit is turned off with the volume set to 17 or more, it is automatically turned down to 16 the next time the unit is turned on.

DEMO

If the clock has not been set, a DEMO appears on the display when the unit is turned off.

To deactivate the DEMO

Press DEMO/ECO. The clock flashes. For setting the clock, see page 9.

ECO mode

Reduces power consumption with the following operations.

After clock is set, this unit allows you to regulate its power consumption by displaying nothing on the display while the power is off. This is called the power economizing mode.

Press DEMO/ECO while the unit is turned on.

Each press of this button changes the display status as follows:

- ① ECO ON: power economizing mode is activated.
- ② ECO OFF: power economizing mode is deactivated.

SOUND ADJUSTMENTS

Setting the clock

- 1 Hold down SHIFT and press CLOCK on the remote control.
When the unit is turned off, you can also press **II** or ENTER.
- 2 Press **◀◀** or **▶▶** to set the time.
Each press changes the time in 1-minute steps.
Holding these buttons down will vary the time in 10-minute units.
If **◀◀** or **▶▶** is not pressed within 4 seconds, setting is canceled.
- 3 Press **II** or ENTER.
The time display stops flashing and the clock starts from 00 seconds.

To display the time while the power is on

Hold down SHIFT and press CLOCK on the remote control.
The time will be displayed for 4 seconds.

To switch to the 24-hour standard

Display the time and press **■** within 4 seconds.
With each press, the clock alternates between 12- and 24-hour standard time.

Tip:

In the 12-hour standard, "AM12:00" indicates midnight and "PM12:00" noon.

If the clock display flashes when the unit is turned off

There has been a power interruption. Reset the clock.

Equalizer

Selects a sound equalization curve to match the music type.
Press EQ (EQ/QSURROUND on the remote control) repeatedly to select one of the three equalization curves.

- ROCK: Powerful sound emphasizing treble and bass
- POP: More presence in the vocals and midrange
- JAZZ: Accented lower frequencies for jazz-type music
- EQ OFF: Equalizer effect is canceled.

T-BASS

Emphasizes low frequencies for a powerful sound.

Press T-BASS repeatedly to select one of the three emphasis levels or the off position.

- If the sound becomes distorted with the T-BASS effect, cancel the effect.

Q SURROUND system

The Q SURROUND system built into this unit uses only two speakers at the left and right to create an atmosphere that sounds as if you are surrounded by two front speakers and two rear speakers.

Hold down SHIFT and press EQ/QSURROUND on the remote control.

"ON QSURROUND" will flow from right to left.

To cancel the Q SURROUND effect

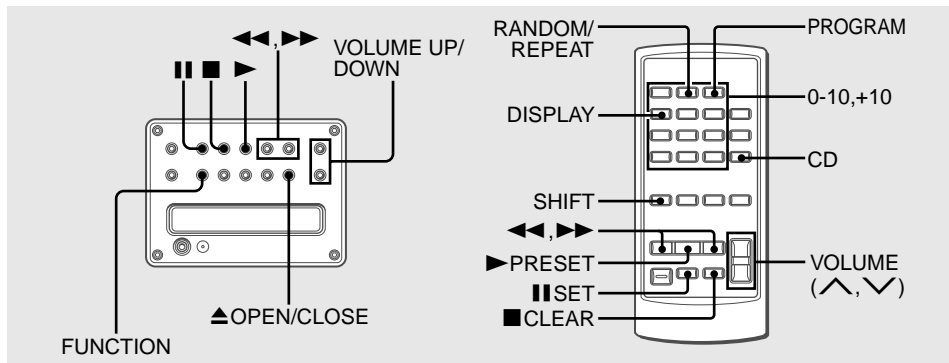
"OFF QSURROUND" flows from right to left and the "QSURROUND" indicator goes off.

Tips:

- The Q SURROUND system does not work in monaural mode.
- When the Q SURROUND system is on, the sound may be distorted at higher volumes. If this happens, turn the volume down.

CD OPERATIONS

En



This unit plays back finalized CD-R/RW discs as well as audio CDs.

Playback

- 1 Press **FUNCTION** repeatedly (CD on the remote control) to select the CD function.
- 2 Press **▲ OPEN/CLOSE** to open the disc compartment.
Place a disc with the label side up.
Then close the disc compartment by pressing **▲ OPEN/CLOSE**.
- 3 Press **▶** to start play.

To stop playback

Press **■**.

To pause playback

Press **II**. Press again to resume playback.

To skip to the beginning of the current/preceding/succeeding track

Press **◀** or **▶** repeatedly.

To search (playback in fast forward or reverse)

Hold down **◀** or **▶**. Release at the desired point.

To select a track with the remote control (Direct play)

Press the numbered buttons to select a track.

- To select track 25, press +10, +10 and 5.
- To select track 10, press 10.

To change the display in the playback mode

Hold down **SHIFT** and press **DISPLAY** on the remote control during playback.

The display changes in the following order:

- 1 Track number being played and elapsed playing time
- 2 Track number being played and remaining time of play
- 3 Current volume level

• Remaining playback time cannot be displayed during random playback or programmed playback.

Random/Repeat playback

Random playback plays all the tracks in random order. Repeat playback plays all the tracks or the track being played repeatedly. You can select random and repeat all playback at the same time.

- 1 Hold down **SHIFT** and press **RANDOM/REPEAT** on the remote control repeatedly to select one of the following modes:
Repeat 1 playback: "◀ 1"
Repeat all playback: "◀"
Random playback: "RANDOM"
Random/Repeat all playback: "RANDOM ◀"
2 Press **▶** to start play.

To cancel random/repeat playback

Hold down **SHIFT** and press **RANDOM/REPEAT** on the remote control repeatedly until "RANDOM", "◀ 1" or "◀" disappears.

Direct selection of the tracks with the numbered buttons cancels the random mode.

To repeat a selected set of tracks

First select the tracks with programmed playback. Then selects repeat playback. (See "Programmed playback" on page 11.)

Programmed playback

Plays back up to 30 selected tracks in programmed order.

- 1 Hold down SHIFT and press PROGRAM on the remote control in stop mode.
"PRGM" flashes on the display.
- 2 Press the numbered buttons on the remote control to program a track.
 - To select the 25th track, press +10, +10 and 5.
 - To select the 10th track, press 10.The selected track number lights up on the display.
- 3 Repeat step 2 to program other tracks.
The total number of selected tracks and total playing time will be displayed.
- 4 Press ► to start play.
The track number for the current track flashes on the display.
 - During programmed playback, you cannot select a track with the numbered buttons. "Can't USE" is displayed when you try to select a track .
 - It is impossible to play a selected set of tracks in random order.
 - If the total playback time of the program exceeds 99 minutes and 59 seconds, or if a track with a track number exceeding 30 is programmed, the playing time is displayed as "- :-:-".
 - You cannot program more than 30 tracks. "FULL" is displayed.

To check the program

Press ◀◀ or ▶▶ repeatedly in stop mode. The track number and program number are displayed in succession.

To clear the program

Press ■ in stop mode. "PRGM" disappears on the display.

To add tracks to the program

Repeat step 2 before starting playback. The tracks are added to the end of the program.

To change the programmed tracks

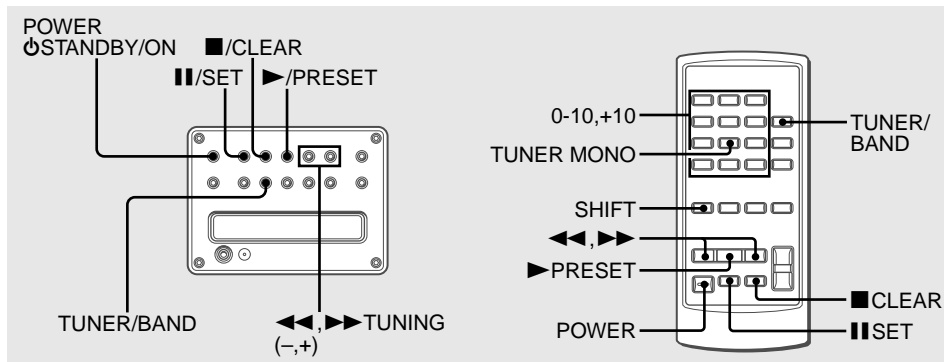
Clear the program and repeat all the steps again.

Notes on CDs

- Do not place more than one disc.
- Do not tilt the unit with a disc inserted.
- The unit may not play CD-R/RW discs recorded on personal computers or certain kinds of CD-R/RW recorders.
- Do not attach adhesive label to either side of CD-R/RW discs, as doing so may cause malfunction.
- Do not load an unrecorded CD-R/RW disc. The disc may be damaged.
- Do not use irregular-shaped CDs.

RADIO OPERATIONS

En



Manual tuning

- 1 Press TUNER/BAND repeatedly to select a band. The unit switches to the radio from any other function and alternates between FM and AM.
- 2 Press ◀◀ or ▶▶ repeatedly to tune in a station. "TUNE" is displayed when a station is tuned in. "(((⊕)))" lights up for FM stereo reception.

To search for a station automatically (Auto search)

Hold down ◀◀ or ▶▶.

The unit searches for a station and stops at reception.

To stop the search manually, press ◀◀ or ▶▶.

- Auto search may not stop at stations with weak signals.

Preset tuning

Preset up to 32 of your favorite stations and tune them in directly.

Presetting stations

- 1 Tune in the desired station.
- 2 Press || to store the station. The preset number, beginning from "1", appears on the display.
- 3 Repeat steps 1 and 2 to preset other stations.
 - You cannot store more than 32 preset stations. "FULL" is displayed.
 - If power is interrupted for more than approximately 12 hours, all settings stored in memory after purchase need to be reset.

Tuning in preset stations

- 1 Select the band.
- 2 Press ▶ repeatedly. With each press, the station with the succeeding preset number is tuned in. You can tune in the desired preset station directly by pressing the numbered buttons on the remote control.
 - To select preset number 10, press 10.
 - To select preset number 15, press +10 and 5.

To clear a preset station

- 1 Tune in the station by preset tuning.
- 2 Press ■, then press || within 4 seconds. Preset station numbers in the band which are higher than the cleared number decrease by one.

TIMER OPERATIONS

Adjustments

To switch to monaural FM reception

Hold down SHIFT and press TUNER MONO on the remote control so that "MONO" is displayed.

To cancel, press again to display "STEREO."

Tip:

When FM stereo reception is poor, switching to monaural reduces noise.

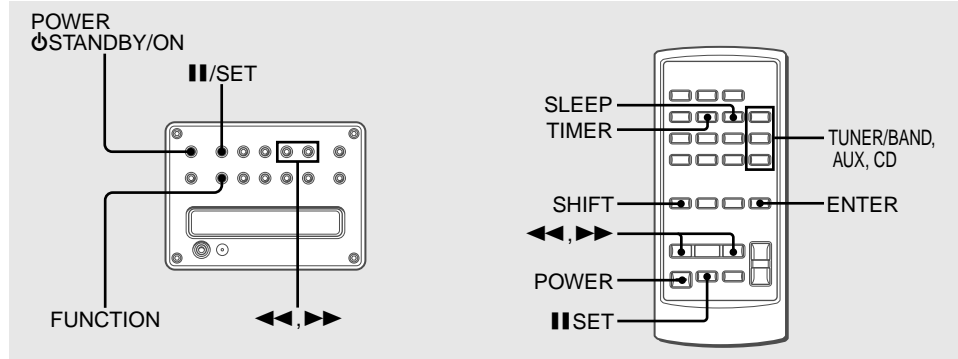
To switch the AM tuning interval

The default setting of the AM tuning interval is 10 kHz/step. If you use this unit in an area where the frequency allocation system is 9 kHz/step, change the tuning interval.

Hold down **▶** and press POWER.

Tip:

When the AM tuning interval is changed, all preset stations are cleared.



Sleep timer

Turns off the unit automatically after a specified time.

- 1 Hold down SHIFT and press SLEEP on the remote control. "SLEEP" is displayed.
- 2 Press **◀◀** or **▶▶** repeatedly to set the sleep timer duration. With each press, the timer duration changes in 5-minute steps between 5 to 240 minutes. If there is no button input for 4 seconds, the current setting is entered automatically. The unit turns off after the selected time.

To check the remaining time until the unit turns off

Hold down SHIFT and press SLEEP on the remote control. The remaining time is displayed for 4 seconds.

To cancel the sleep timer

Hold down SHIFT and press SLEEP repeatedly on the remote control until "SLEEPoFF" is displayed.

Timer playback

Turns on the unit at a specified time for the specified duration. Make sure the clock is set correctly.

- 1 Press FUNCTION repeatedly to select the desired playback source.
- 2 Hold down SHIFT and press TIMER. "⌚" indicator lights up and "⌚ PLAY" appears on the display. Then, the timer-on time and the source name appear alternately on the display.
- 3 Within 7 seconds, press ENTER or **||**. The timer-on time and the source name appear alternately on the display.
- 4 Press **◀◀** or **▶▶** to set the timer-on time, then press ENTER or **||**.

- 5 Press ◀◀ or ▶▶ to set the timer-activated duration, then press ENTER or III. With each press, the timer-activated duration changes in 5-minute steps between 5 to 240 minutes. If there is no button input for 4 seconds, the current setting is entered automatically.
- 6 Adjust the volume and tone for timer playback. If the volume level is set to 17 or higher, it is automatically turned down to 16 when the unit is turned on by the timer.
- 7 Prepare the source.
To play CD, insert a disc.
To play the radio, select the band and tune in the desired station.
To play external equipment connected to the AUX/VIDEO IN jacks, set an external timer for the equipment so that its playback begins at the same time.
- 8 Press POWER ⏻STANDBY/ON to turn the unit off.
 "⏻" remains on the display to indicate the timer standby mode (when the ECO mode is deactivated).
 At timer-on time, the unit turns on and plays the selected source. After the specified timer-activated duration, the unit turns off again.
- Timer playback will not begin unless the unit is turned off first.
 - Connected equipment cannot be turned on or off by the built-in timer of this unit. Use an external timer.

To check the timer setting

Hold down SHIFT and press TIMER. The timer-on time, the source and the timer-activated duration are displayed for 4 seconds.

To change the timer setting

Reset the timer again.

To cancel the timer

Hold down SHIFT and press TIMER on the remote control repeatedly until "⏻ OFF" is displayed. "⏻" disappears from the display.

Tip:

Your timer setting is retained even if the timer is canceled. Next time the timer is activated, you can change your previous setting, or simply use the same setting again.

REFERENCE

Care and maintenance

Occasional care and maintenance of the unit and the software are needed to optimize the performance of your unit.

To clean the cabinet

Use a soft and dry cloth. If the unit surfaces are extremely dirty, use a soft cloth lightly moistened with mild detergent solution. Do not use strong solvents such as alcohol, benzene or thinner.

Care of CDs

When a CD becomes dirty, wipe it from the center out with a cleaning cloth. After playing a CD, store it in its case. Do not keep it in hot or humid places.

Troubleshooting

If your unit fails to perform properly, check the following guide and the relevant sections of this manual.

There is no sound

- Are the speakers and AC power cord connected properly?

The unit shut off suddenly

- Possibly a short circuit in the speaker terminals. Disconnect the AC power cord from the AC outlet and reconnect the speaker cords correctly.

All the display lights turn off when the power is off

- Is ECO mode set to on?

Erroneous display

- Reset the unit.

Poor radio reception

- Check antenna connection. Adjust the antenna to find the best reception.
- Move unit and antenna away from other electric appliances and cords.

The CD player works poorly

- Is the disc correctly inserted?
- Is the disc dirty?
- Is the lens affected by condensation? If so, wait approximately one hour and try again.

Specifications

MAIN UNIT CX-LMG9

TUNER

FM tuning range	87.5 MHz to 108 MHz
FM usable sensitivity (IHF)	13.2 dBf
FM antenna terminals	75 ohms (unbalanced)
AM tuning range	530 kHz to 1710 kHz (10 kHz step)
	531 kHz to 1602 kHz (9 kHz step)
AM usable sensitivity	350 μ V/m
AM antenna	Loop antenna

AMPLIFIER

Power output	50 W + 50 W (40 Hz - 20 kHz, THD less than 1%, 6 ohms)
	62 W + 62 W (1 kHz, THD 10%, 6 ohms)
Total harmonic distortion	0.15% (5 W, 1 kHz, 6 ohms, DIN AUDIO)
Input	AUX/VIDEO IN: 500 mV
Outputs	SPEAKERS: 6 ohms or more
	PHONES: 32 ohms or more
	SUPER WOOFER 1.7 V
	DIGITAL OUT (OPTICAL) jack
	LINE OUT jack

CD PLAYER

Laser	Semiconductor laser ($\lambda = 780$ nm)
D/A converter	1 bit dual
Signal-to-noise ratio	85 dB (1 kHz, 0 dB)
Harmonic distortion	0.08% (1 kHz, 0 dB)
Wow and flutter	unmeasurable

GENERAL

Power requirements	120 V AC, 60 Hz
Power consumption	60 W
Power consumption in standby mode	With ECO mode on: 1.0 W
	With ECO mode off: 12.0 W
Dimensions (W \times H \times D)	176.6 \times 256 \times 348.7 mm
	(7 \times 10 $\frac{1}{8}$ \times 13 $\frac{3}{4}$ in.)
Weight	4.9 kg (10 lbs 14 oz)

SPEAKER SYSTEM SX-LMG9

Speaker system	2 way, bass reflex (magnetic shielded)
Speaker units	Woofer: 120 mm (4 $\frac{7}{8}$ in.) cone
	Tweeter: 25 mm (1 $\frac{1}{16}$ in.) dome
Impedance	6 ohms
Dimensions (W \times H \times D)	160 \times 256 \times 230 mm
	(6 $\frac{3}{8}$ \times 10 $\frac{1}{8}$ \times 9 $\frac{1}{8}$ in.)
Weight	3.2 kg (7 lbs 1 oz)

Specifications and external appearance are subject to change without notice.

Resetting the unit

If an unusual condition occurs in the display window, reset the unit as follows:

1 Press POWER to turn off the power.

If the power cannot be turned off, disconnect the AC power cord, then plug it in again.

2 Hold down **■** and press POWER.

Everything stored in memory after purchase is cleared.

NOTE

This equipment has been tested and found to comply with the limits for a Class B digital device, pursuant to Part 15 of the FCC Rules. These limits are designed to provide reasonable protection against harmful interference in a residential installation.

This equipment generates, uses, and can radiate radio frequency energy and, if not installed and used in accordance with the instructions, may cause harmful interference to radio communications. However, there is no guarantee that interference will not occur in a particular installation. If this equipment does cause harmful interference to radio or television reception, which can be determined by turning the equipment off and on, the user is encouraged to try to correct the interference by one or more of the following measures:

- Reorient or relocate the receiving antenna.
- Increase the separation between the equipment and receiver.
- Connect the equipment into an outlet on circuit different from that to which the receiver is connected.
- Consult the dealer or an experienced radio/TV technician for help.

CAUTION

Modifications or adjustments to this product, which are not expressly approved by the manufacturer, may void the user's right or authority to operate this product.

For assistance and information

call toll free 1-800-BUY-AIWA

(United States and Puerto Rico)

AIWA CO.,LTD.

 <http://www.aiwa.co.jp>

Free Manuals Download Website

<http://myh66.com>

<http://usermanuals.us>

<http://www.somanuals.com>

<http://www.4manuals.cc>

<http://www.manual-lib.com>

<http://www.404manual.com>

<http://www.luxmanual.com>

<http://aubethermostatmanual.com>

Golf course search by state

<http://golfingnear.com>

Email search by domain

<http://emailbydomain.com>

Auto manuals search

<http://auto.somanuals.com>

TV manuals search

<http://tv.somanuals.com>