

AKAI

Operator's manual

PROJECTION CLOCK RADIO

AR250P



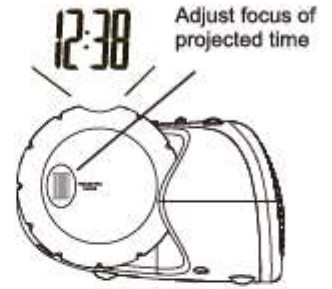
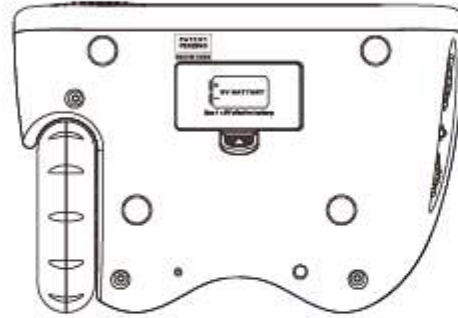
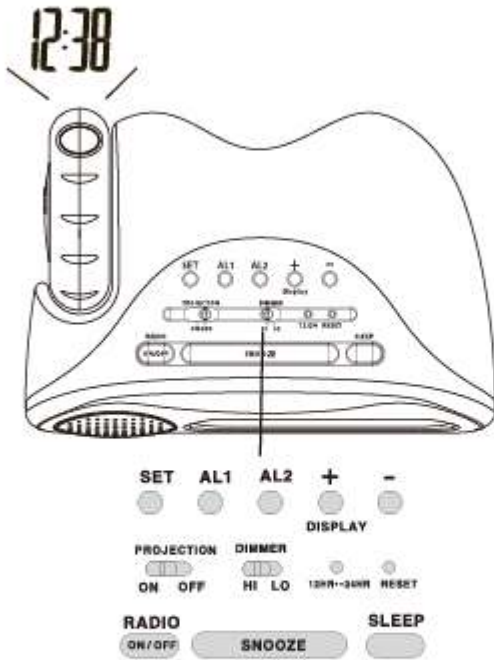
Gebruiksaanwijzing (NL) 1~2

Manuel d'instructions (F) 3~4

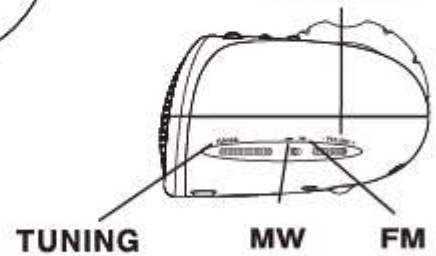
Manual de Instrucciones (ES) 5~6

Operator's manual (EN) 7~8

Operator's manual Projection Clock Radio



- VOLUME +



Installation

Plug the AC/DC adaptor into any 230V AC household outlet. Plug the DC jack into the back of the clock radio.

Battery Back Up

1. Open the battery door at the bottom case, insert 1 piece 9V battery by observing the correct + and - polarity signs. Replace the battery cover.
2. When AC power is off, the batteries will power the clock to keep track of the time. The LCD backlight and projection clock will be off.

TO SET TIME, CALENDAR AND SNOOZE DURATION

- 1) Press **SET** button once, time digits blink. Press + or - to set time.
Press and hold + or - will accelerate setting in fast speed.
- 2) Press **SET** button again, time digits change to Year 2006 and YR icon blink, then press + or - to set year.
- 3) Press **SET** button again, Date and Month digits 1.1 blink. Press + or - to set date-month.
- 4) Press **SET** button again, time digits change to 0:05 with Zz icon blinking.
Press + or - to set your desired snooze duration from 5 to 60 minutes.
- 5) Press **SET** again to go back to normal time display. If no button is pressed for 5 seconds the clock radio will go back to normal time display automatically.



TO SET ALARM 1

- 1) Press **ALM 1** button once, LCD shows **ALM 1** time (default is 6:00 am) blinking with 1 icon.
- 2) Press + or - to set your desired **ALM 1** time.
- 3) Press **ALM 1** again to select :

- Wake-by-Beep ((●)) 1
- Wake-by-Radio **RADIO 1**
- ALM 1 Off



TO SET ALARM 2

- 1) Press **ALM 2** button once, LCD shows **ALM 2** time (default is 6:00 am) blinking with 2 icon.
- 2) Press + or - to set your desired **ALM 2** time.
- 3) Press **ALM 2** again to select :

- Wake-by-Radio ((●)) 2
- Wake-by-Beep **RADIO 2**
- ALM 2 Off



Once ALM 1 and/or ALM 2 is set, press SET again to go back to normal time display. If no button is pressed for 5 seconds the clock radio will go back to normal time display automatically.

TO SELECT 12HR/24 HR TIME FORMAT

Use a sharp object to press 12/24 button once to select 12HR (with PM indicator) or 24 HR time format.

TO ADJUST LCD BACKLIGHT

Slide the HI-LO Dimmer switch to adjust LCD backlight to your comfortable level in the dark.

TO TURN ON/OFF THE PROJECTION CLOCK

Slide the PROJECTION ON/OFF switch to turn on/off the blue projection clock. Rotate the projection wheel on the left to your desired position of the projected time onto the wall / ceiling. You could adjust the contrast of the blue projected time by using the FOCUS roller on the projection wheel.

TO TURN ON/OFF THE MW and FM RADIO

- 1) Press the RADIO button once to turn on/off the radio. RADIO ON icon will appear when you turn on the radio.
- 2) Slide the MW or FM switch on the right side of the clock radio to select MW or FM radio channel. KHz icon will appear for MW and MHz will appear for FM channel.
- 3) Turn the TUNING dial to select your desired radio station.
- 4) For best radio reception, always untie and release the FM antenna or Adjust put your clock radio away from other electronics like TV, Cell Phone, computer etc.



TO USE RADIO SLEEP TIMER

Press SLEEP once the time digits change to 05 with SLEEP icon on. Press SLEEP again to select sleep timer duration from 5 minutes up to 1 hour 30 minutes. The LCD display will go back to normal time display in few seconds.

The radio keeps on and then turns off until the end of the sleep timer duration. To stop the sleep timer, press SNOOZE once.

TO READ THE FREQUENCY STATION ON THE LCD DISPLAY

When radio is turned on, the radio frequency will be displayed instantly for around 10 seconds. You could turn the TUNING dial to select your desired radio station.

To go back normal time display, press + / Display button once. Press again to go back to radio frequency display for around 10 seconds.

TROUBLE SHOOTING

Press the RESET button once when the LCD display irrelevant time or calendar. Once you do this, your clock will be reset to default setting and needs to be up-dated.

CARE OF YOUR CLOCK

- 1) Do not expose your clock to extreme temperatures, water or direct sunlight.
- 2) Avoid contact with any corrosive materials
- 3) Do not subject the clock to excessive force, dust or humidity
- 4) Do not open the inner back case or tamper with any components of this clock
- 5) Do not plug in any other AC/DC adaptor with incorrect specifications or voltage

Power consumption : 6W

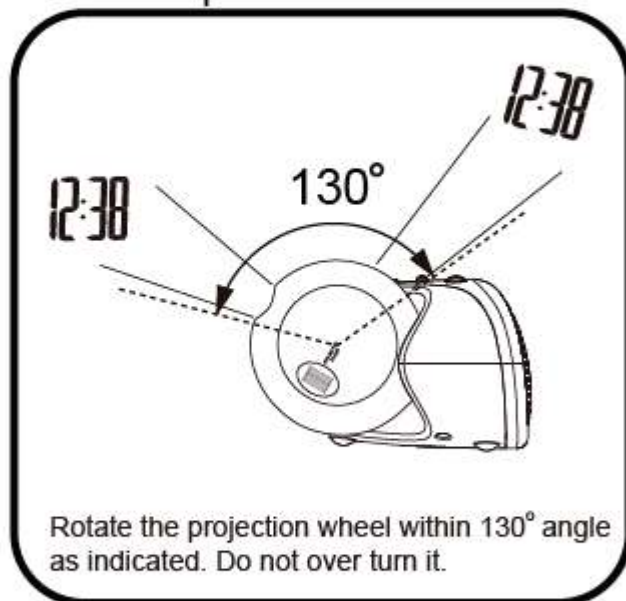
Corrosion, oxidation, battery-leakage and any other gradually acidic defect of this nature will invalidate the guarantee.

Disposal of Used Electrical & Electronic Equipment

The meaning of the symbol on the product, its accessory or packaging indicates that this product shall not be treated as household waste. Please, dispose of this equipment at your applicable collection point for the recycling of electrical & electronic equipments waste. In the European Union and Other European countries which there are separate collection systems for used electrical and electronic product. By ensuring the correct disposal of this product, you will help prevent potentially hazardous to the environment and to human health, which could otherwise be caused by unsuitable waste handling of this product. The recycling of materials will help conserve natural resources. Please do not therefore dispose of your old electrical and electronic equipment with your household waste. For more detailed information about recycling of this product, please contact your local city office, your household waste disposal service or the shop where you purchased the product.



Important Notice:



For more information and warranty conditions, please visit : www.akai.eu

Free Manuals Download Website

<http://myh66.com>

<http://usermanuals.us>

<http://www.somanuals.com>

<http://www.4manuals.cc>

<http://www.manual-lib.com>

<http://www.404manual.com>

<http://www.luxmanual.com>

<http://aubethermostatmanual.com>

Golf course search by state

<http://golfingnear.com>

Email search by domain

<http://emailbydomain.com>

Auto manuals search

<http://auto.somanuals.com>

TV manuals search

<http://tv.somanuals.com>