



CDE-7859 CDE-7858 CDE-7856

FM/AM Compact Disc Receiver

- **OWNER'S MANUAL**
Please read before using this equipment.
- **MODE D'EMPLOI**
Veuillez lire avant d'utiliser cet appareil.
- **MANUAL DE OPERACIÓN**
Léalo antes de utilizar este equipo.



ALPINE ELECTRONICS, INC.
Tokyo office: 1-1-8 Nishi Gotanda,
Shinagawa-ku,
Tokyo 141-8501, Japan
Tel.: (03) 3494-1101

ALPINE ELECTRONICS OF AMERICA, INC.
19145 Gramercy Place, Torrance,
California 90501, U.S.A.
Tel.: 1-800-ALPINE-1 (1-800-257-4631)

ALPINE ELECTRONICS OF CANADA, INC.
Suite 203, 7300 Warden Ave. Markham,
Ontario L3R 9Z6, Canada
Tel.: 1-800-ALPINE-1 (1-800-257-4631)

ALPINE ELECTRONICS OF AUSTRALIA PTY. LTD.
6-8 Fiveways Boulevard Keysborough,
Victoria 3173, Australia
Tel.: (03) 9769-0000

ALPINE ELECTRONICS GmbH
Kreuzerkamp 7-11 40878 Ratingen, Germany
Tel.: 02102-45 50

ALPINE ITALIA S.p.A.
Via C. Colombo 8, 20090 Trezzano Sul Naviglio
MI, Italy
Tel.: 02-48 47 81

ALPINE ELECTRONICS FRANCE S.A.R.L.
(RCS PONTOISE B 338 101 280)
98, Rue De La Belle Etoile, Z.I. Paris Nord II
B.P. 50016 F-95945, Roissy, Charles De Gaulle
Cedex, France
Tel.: 01-48 63 89 89

ALPINE ELECTRONICS OF U.K., LTD.
13 Tanners Drive, Blakelands, Milton Keynes
MK14 5BU, U.K.
Tel.: 01908-61 15 56

ALPINE ELECTRONICS DE ESPAÑA, S.A.
Portal De Gamarra 36, Pabellón 32
01013 Vitoria (Alava)-Apdo. 133, Spain
Tel.: 34-45-283588

EN

FR

ES

Contents

Operating Instructions

WARNING

WARNING	2
CAUTION	2
PRECAUTIONS	2

Basic Operation

Detaching the Front Panel	4
Attaching the Front Panel	4
Initial System Start-Up	4
Turning Power On and Off	4
Subwoofer On and Off (CDE-7859 only)	5
Subwoofer On and Off (CDE-7858/ CDE-7856 only)	5
Adjusting Volume/Bass/Treble/ Balance (Between Left and Right)/ Fader (Between Front and Rear)	5
Turning Loudness On/Off (CDE-7856 only)	5
Audio Mute Function	6
BBE Mode On/Off (CDE-7859/CDE-7858 only)	6
Displaying Time	7
Setting Time	7
Changing Audio Level Display Pattern (CDE-7859 only)	7
Setting the Bass Control (CDE-7859 only)	8
Setting the Treble Control (CDE-7859 only)	8
Setting Bass Frequency (CDE-7858/CDE-7856 only)	8

Radio Operation

Manual Tuning	9
Automatic Seek Tuning	9
Manual Storing of Station Presets	10
Automatic Memory of Station Presets	10
Storing into Direct Access Preset (D.A.P.) Band	11
Tuning to Preset Stations	11

CD Player Operation

Inserting/Ejecting Disc	12
Normal Play and Pause	12
Music Sensor (Skip)	12
Fast Forward and Backward	12
Repeat Play	13
M.I.X. (Random Play)	13
Scanning Programs	13
Displaying and Scrolling CD Text (CDE-7859 only)	13

Information

In Case of Difficulty	14
Specifications	15

Installation and Connections

Warning	16
Caution	16
Precautions	16
Installation	17
Connections	18

LIMITED WARRANTY

WARNING

WARNING

The exclamation point within an equilateral triangle and "WARNING" are intended to alert the user to the presence of important operating instructions. Failure to heed the instructions will result in severe injury or death.

DO NOT OPERATE ANY FUNCTION THAT TAKES YOUR ATTENTION AWAY FROM SAFELY DRIVING YOUR VEHICLE.

Any function that requires your prolonged attention should only be performed after coming to a complete stop. Always stop the vehicle in a safe location before performing these functions. Failure to do so may result in an accident.

KEEP THE VOLUME AT A LEVEL WHERE YOU CAN STILL HEAR OUTSIDE NOISE WHILE DRIVING.

Failure to do so may result in an accident.

MINIMIZE DISPLAY VIEWING WHILE DRIVING.

Viewing the display may distract the driver from looking ahead of the vehicle and cause an accident.

DO NOT DISASSEMBLE OR ALTER.

Doing so may result in an accident, fire or electric shock.

USE ONLY IN CARS WITH A 12 VOLT NEGATIVE GROUND.

(Check with your dealer if you are not sure.) Failure to do so may result in fire, etc.

KEEP SMALL OBJECTS SUCH AS BATTERY OUT OF THE REACH OF CHILDREN.

Swallowing them may result in serious injury. If swallowed, consult a physician immediately.

USE THE CORRECT AMPERE RATING WHEN REPLACING FUSES.

Failure to do so may result in fire or electric shock.

DO NOT BLOCK VENTS OR RADIATOR PANELS.

Doing so may cause heat to build up inside and may result in fire.

USE THIS PRODUCT FOR MOBILE 12V APPLICATIONS.

Use for other than its designed application may result in fire, electric shock or other injury.

DO NOT PLACE HANDS, FINGERS OR FOREIGN OBJECTS IN INSERTION SLOTS OR GAPS.

Doing so may result in personal injury or damage to the product.

CAUTION

The exclamation point within an equilateral triangle and "CAUTION" are intended to alert the user to the presence of important operating instructions. Failure to heed the instructions can result in injury or material damage.

HALT USE IMMEDIATELY IF A PROBLEM APPEARS.

Failure to do so may cause personal injury or damage to the product. Return it to your authorized Alpine dealer or the nearest Alpine Service Center for repairing.

PRECAUTIONS

Temperature

Be sure the temperature inside the vehicle is between +60°C (+140°F) and -10°C (+14°F) before turning your unit on.

Moisture Condensation

You may notice the CD playback sound wavering due to condensation. If this happens, remove the disc from the player and wait about an hour for the moisture to evaporate.

Damaged Disc

Do not attempt to play cracked, warped, or damaged discs. Playing a bad disc could severely damage the playback mechanism.

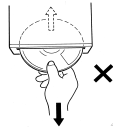
Maintenance

If you have problems, do not attempt to repair the unit yourself. Return it to your Alpine dealer or the nearest Alpine Service Station for servicing.

Never Attempt the Following

Do not grip or pull out the disc while it is being pulled back into the player by the automatic reloading mechanism.

Do not attempt to insert a disc into the unit when the unit power is off.



Inserting Discs

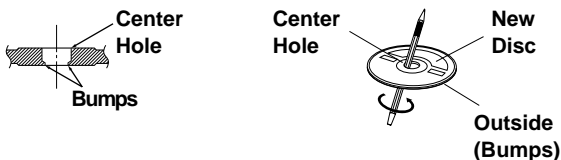
Your player accepts only one disc at a time for playback. Do not attempt to load more than one disc.

Make sure the label side is facing up when you insert the disc. Your player will automatically eject any disc that is inserted incorrectly. If the player continues to eject a correctly inserted disc, push the Reset switch (located behind the detachable front panel) with a pointed object such as a ball-point pen.

Playing a disc while driving on a very bumpy road may result in skips, but this will not scratch the disc or damage the player.

New Discs

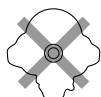
As a protective measure to prevent the CD from jamming, the CD player will automatically eject discs with irregular surfaces or inserted incorrectly. When a new disc is inserted into the player and ejected after initial loading, using your finger, feel around the inside of the center hole and outside edge of the disc. If you feel any small bumps or irregularities, this could inhibit proper loading of the disc. To remove the bumps, rub the inside edge of the hole and outside edge of the disc with a ball-point pen or other such instrument, then insert the disc again.



Irregular Shaped Discs

Be sure to use round shape discs only for this unit and never use any special shape discs.

Use of special shape discs may cause damage to the mechanism.



Installation Location

Make sure the CDE-7859/CDE-7858/CDE-7856 will not be installed in a location subjected to:

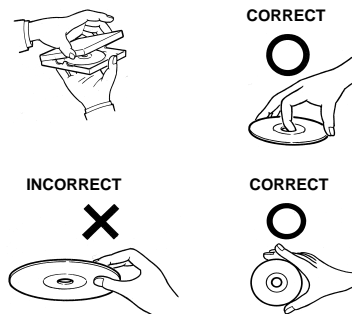
- Direct sun and heat
- High humidity and water
- Excessive dust
- Excessive vibrations

Handling the Detachable Front Panel

- Do not expose to rain or water.
- Do not drop or apply shock.

Correct Handling

Do not drop the disc while handling. Hold the disc so you will not leave fingerprints on the surface. Do not affix tape, paper, or gummed labels to the disc. Do not write on the disc.



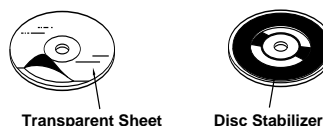
Disc Cleaning

Fingerprints, dust, or soil on the surface of the disc could cause the CD player to skip. For routine cleaning, wipe the playing surface with a clean, soft cloth from the centre of the disc to the outer edge. If the surface is heavily soiled, dampen a clean, soft cloth in a solution of mild neutral detergent before cleaning the disc.

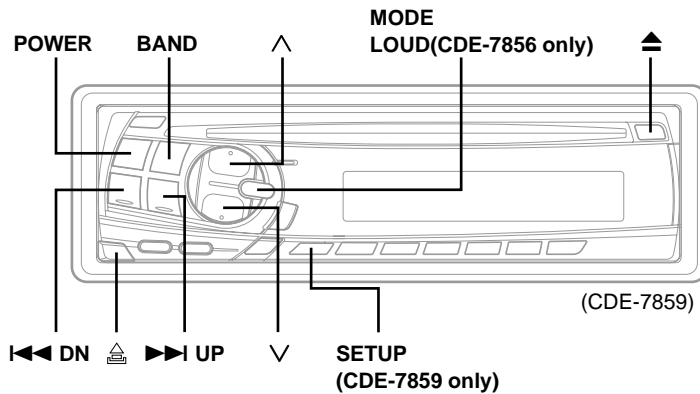


Disc Accessories

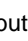
There are various accessories available on the market for protecting the disc surface and improving sound quality. However, most of them will influence the thickness and/or diameter of the disc. Using such accessories can cause the disc to be out of standard specifications and may create operational problems. We recommend not using these accessories on discs played in Alpine CD players.

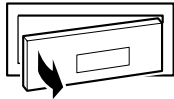


Basic Operation



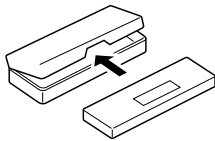
Detaching the Front Panel

- 1 Press the **POWER** button for more than 3 seconds to turn off the power.
- 2 Press the  (Release) button at lower left corner until the front panel pops out.
- 3 Grasp the left side of the front panel and pull it out.



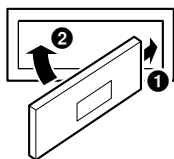
NOTES

- The front panel may become hot in normal usage (especially the connector terminals), this is not malfunction.
- To protect the front panel, place it in the supplied carrying case.



Attaching the Front Panel

- 1 First, insert the right side of the front panel into the main unit. Align the 2 small holes on the front panel with the 2 projections on the main unit.
- 2 Push the left side of the front panel until it locks firmly into the main unit.

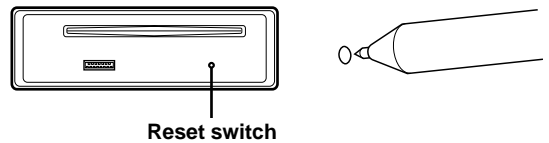


NOTE

Before attaching the front panel, make sure that there is no dirt or dust on the connector terminals and no foreign object between the front panel and the main unit.

Initial System Start-Up

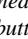
Immediately after installing or applying power to the unit, it should be initialized. To do this, first, remove the detachable front panel. Behind the front panel, to the right of the connector, there is a small hole. Using a pencil or other pointed object, press the red reset switch mounted behind this hole to complete the initialization procedure.



Turning Power On and Off

- 1 Press the **POWER** button to turn on the unit.

NOTE

The unit can be turned on by pressing any other button except the eject  button.

The volume level gradually increases to the previous level you were listening to before the unit was turned off. Press the **POWER** button for more than 3 seconds to turn off the unit.

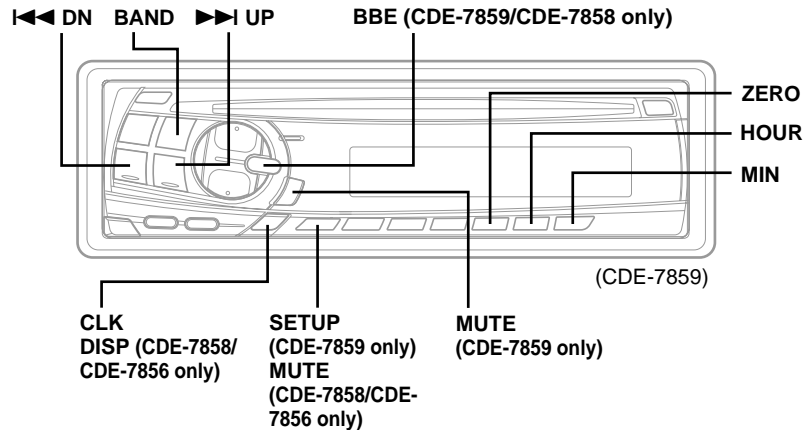
NOTE

The very first time the power is turned on, the volume will start from level 12, the BBE will be on in the tuner mode*, and the LOUD function will be on**.

* CDE-7859/CDE-7858 only.

** CDE-7856 only.

Basic Operation



Audio Mute Function

Activating this function will instantly lower the volume level by 20 dB.

- 1 Press the **MUTE** button to activate the MUTE mode. The audio level will decrease by about 20 dB. Pressing the **MUTE** button again will bring the audio back to its previous level.

BBE Mode On/Off (CDE-7859/CDE-7858 only)

The BBE (Barcus Berry Electronics) processor installed in this unit is designed to correct the phase distortion inherent in most loudspeaker designs. Ensuring the phase integrity of the signal driving the speakers improves the accurate reproduction of the sound.

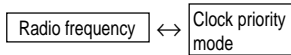
- 1 Press and hold the **BBE** button for at least 2 seconds to turn on the BBE mode. Each press toggles between the BBE on and off modes.

Displaying Time

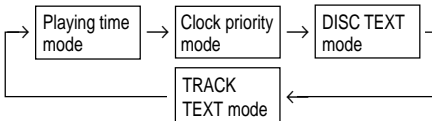
- 1 Press the **CLK** (CDE-7859 only) or **DISP** (CDE-7858/CDE-7856 only) button repeatedly until the clock time is displayed.

Each press changes the modes as follows:

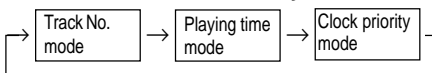
Radio mode



CDE-7859: CD Player mode



CDE-7858/CDE-7856: CD Player mode



NOTE

Selecting any tuner or CD function while in the clock priority mode will interrupt the time display momentarily. The function selected will be displayed for about 5 seconds before the time returns to the display.

Setting Time

- 1 While the clock time is displayed, press and hold the **CLK** (clock) button for at least 3 seconds. The time indication will begin to blink.
- 2 Press the **ZERO** button while the time indication is blinking to set seconds to "0".
- 3 Press the **HOUR** button to adjust the hours while the time indication is blinking.
- 4 Press the **MIN** button to adjust the minutes while the time indication is blinking. The time indication will stop blinking 5 seconds after the last adjustment. The time will automatically be set.

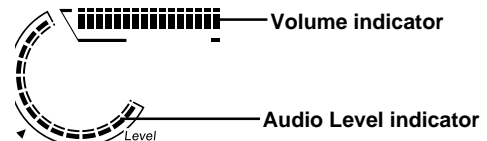
Changing Audio Level Display Pattern (CDE-7859 only)

- 1 Press the **SETUP** button for at least 3 seconds.
- 2 Press **◀ DN** or **▶ UP** button to select the DISP mode.
- 3 Press **BAND** button to switch the display pattern.

→ DISP1 → DISP2 → DISP OFF →

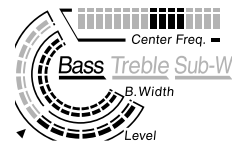
DISP1:

Lights the Volume indicator and Audio Level indicator.



DISP2:

Lights the mode and value bars to show the settings in the Bass engine display.



Example settings:

Bass center frequency: 100 Hz
Bass band width: WIDE1
Bass level: - 6

NOTE

The last mode set will remain in effect. The mode and value bars light and show the Bass engine settings.

DISP OFF:

Turns off the light in Bass engine display. If you set DISP OFF, the Volume indicator, Audio Level indicator, and Bass engine displays are not lit at all times.

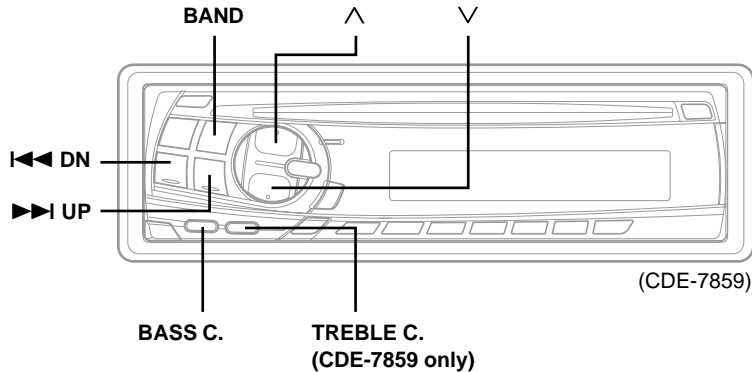
To light them, press the **BAND** button to exit DISP OFF.

NOTE

If no buttons are pressed within 5 seconds, the display will return to normal mode automatically.

- 4 Press the **SETUP** button to return to normal mode.

Basic Operation



Setting the Bass Control (CDE-7859 only)

You can change the Bass Frequency emphasis to create your own tonal preference.

- 1** Press the **BASS C.** button to turn on the Bass setting mode.
- 2-1** Setting the Bass frequency:
Press the **◀◀ DN** or **▶▶ UP** button to select the desired Bass center frequency.
60Hz ↔ 80Hz ↔ 100Hz ↔ 200Hz
Emphasizes the displayed Bass frequency ranges.

- 2-2** Setting the Bass Band Width (Q-Factor):
Press the **BAND** button to select the desired Bass Band Width.
→ WIDE1 → WIDE2 → WIDE3 → WIDE4 (Wide) ← → (Narrow) ←

Changes the displayed frequency's band width to narrow or wide.

- 2-3** Setting the Bass Level:
Press the **v** or **^** button to select the desired Bass Level (-7~+7).
You can emphasize or weaken the bass frequency.

NOTE

If no buttons are pressed within 5 seconds, the Bass control setting will be turned off automatically.

Setting the Treble Control (CDE-7859 only)

You can change the Treble Frequency emphasis to create your own tonal preference.

- 1** Press the **TREBLE C.** button to turn on the Treble setting mode.
- 2-1** Setting Treble frequency:
Press **◀◀ DN** or **▶▶ UP** button to select the desired Treble center frequency.
10kHz ↔ 12.5kHz ↔ 15kHz ↔ 17.5kHz
Emphasizes the displayed Treble frequency ranges.
- 2-2** Setting Treble Level:
Press the **v** or **^** button to select the desired Treble Level (-7~+7).
You can emphasize the treble frequency.

NOTE

If no buttons are pressed within 5 seconds, the Treble control setting will be turned off automatically.

Setting Bass Frequency (CDE-7858/CDE-7856 only)

The bass control center frequency can be set at 60, 80, 100 or 200 Hz.

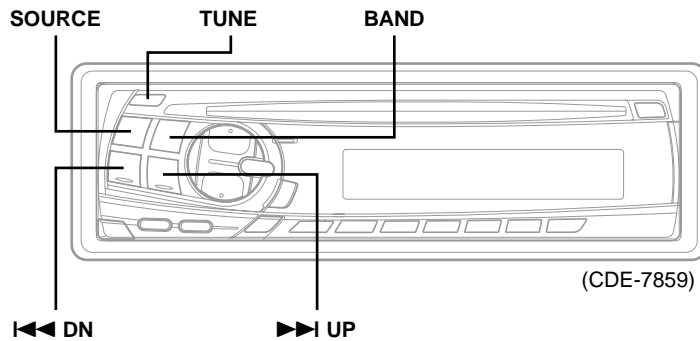
- 1** Press and hold the **BASS C.** button for at least 3 seconds to turn on the bass control settings.
- 2** Press the **◀◀ DN** or the **▶▶ UP** button to select the desired Bass center frequency. Each press changes the center frequency as follows: 60 Hz, 80 Hz, 100 Hz and 200 Hz.

NOTE

If no buttons are pressed within 5 seconds, the bass control settings will be turned off automatically.

- 3** Press the **BASS C.** button for more than 3 seconds to turn off the bass control settings.

Radio Operation



Manual Tuning

- 1 Press the **SOURCE** button until a radio frequency appears in the display.
- 2 Press the **BAND** button repeatedly until the desired radio band is displayed. Each press changes the band:
→ F1(FM1) → F2(FM2) → AM
- 3 Press the **TUNE** button repeatedly until "DX SEEK" and "SEEK" disappear from the display.

NOTE

The initial mode is DX SEEK.

- 4 Press the **◀◀ DN** or **▶▶ UP** button to move downward or upward one step respectively until the desired station frequency is displayed.

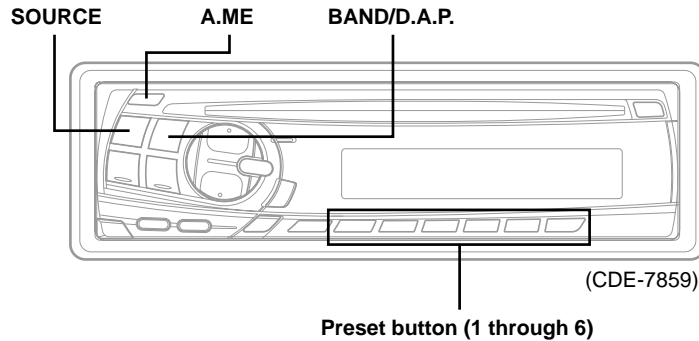
NOTE

The *ST* indicator appears on the display when a Stereo FM station is tuned in.

Automatic Seek Tuning

- 1 Press the **SOURCE** button until a radio frequency appears in the display.
- 2 Press the **BAND** button repeatedly until the desired radio band is displayed. Each press changes the band:
→ F1(FM1) → F2(FM2) → AM
- 3 Press the **TUNE** button to illuminate the DX and SEEK indicators in the display. With the DX (Distance) mode activated, both strong and weak stations will be tuned in the Auto-Seek operation. Press again to return to the local mode. The DX indicator will turn off and the SEEK indicator will remain illuminated. Now, only strong stations will be tuned.
- 4 Press the **◀◀ DN** or **▶▶ UP** button to automatically seek for a station downward or upward respectively. The unit will stop at the next station it finds. Press the same button again to seek the next station.

Radio Operation



Manual Storing of Station Presets

- 1** Select the radio band and tune in a desired radio station you wish to store in the preset memory.
- 2** Press and hold any one of the **Preset buttons (1 through 6)** for at least 2 seconds until the station frequency on the display blinks.
- 3** Press the **Preset** button into which you wish to store the station while the frequency display is blinking (within 5 seconds). The display stops blinking once the station has been memorized. The display shows the band, preset No. with a triangle (\triangle) and station frequency memorized.
- 4** Repeat the procedure to store up to 5 other stations onto the same band. To use this procedure for other bands, simply select the band desired and repeat the procedure. A total of 24 stations can be stored in the preset memory (6 stations for each band; FM1, FM2, AM and D.A.P.).

NOTE

If you store a station in a preset memory which already has a station, the current station will be cleared and replaced with the new station.

Automatic Memory of Station Presets

- 1** Press the **SOURCE** button to select the radio mode.
- 2** Press the **BAND** button repeatedly until the desired radio band is displayed.
- 3** Press and hold the **A. ME** button for at least 2 seconds. The frequency on the display continues to change while the automatic memory is in progress. The tuner will automatically seek and store 6 strong stations in the selected band. They will be stored into presets 1 to 6 buttons in order of signal strength. When the automatic memory has been completed, the tuner goes to the station stored in the preset location No. 1.

NOTE

If no stations are stored, the tuner will return to the original station you were listening to before the auto memory procedure began.

Storing into Direct Access Preset (D.A.P.) Band

A combination of radio stations in any band (up to 6 stations) can be manually preset into the D.A.P. band.

- 1** Press and hold the **D.A.P.** button for more than 2 seconds until the D.A.P. indicator appears.

Press the **BAND** button to select FM or AM.

The selected band will be displayed.

To memorize stations onto the D.A.P. band, follow the steps for the Automatic or Manual Storing of Station Presets section above.

NOTE

This function can be used together with the Automatic Memory Preset.

To cancel the D.A.P. mode, press and hold the D.A.P. button for more than 2 seconds. The D.A.P. indicator will turn off.

Tuning to Preset Stations

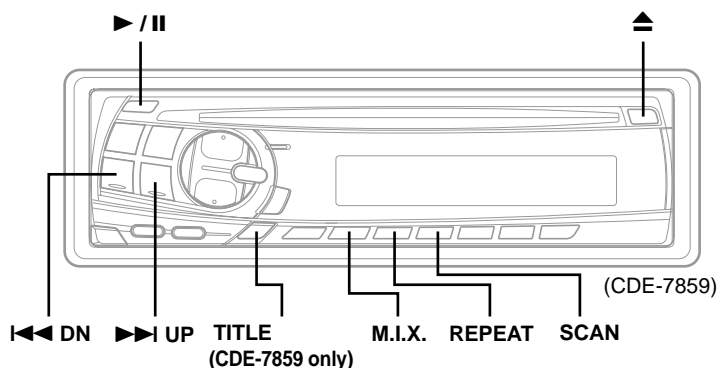
- 1** Press the **SOURCE** button to select the radio mode.

- 2** Press the **BAND** button repeatedly until the desired band is displayed.

To select the D.A.P. band, press and hold the D.A.P. button for more than 2 seconds until the D.A.P. indicator appears in the display.

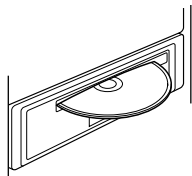
- 3** Press the station **Preset** button that has your desired radio station in memory. The display shows the band, preset number with a triangle and frequency of the station selected.

CD Player Operation



Inserting/Ejecting Disc

- 1 Insert a CD half way into the slot with the label side facing up. The player automatically draws the disc into the disc compartment.



The Disc indicator appears to show that a disc is loaded.

NOTE

Three-inch (8cm) CD's can be used.

- 2 Press the ▲ (Eject) button when you want to eject the CD.

NOTES

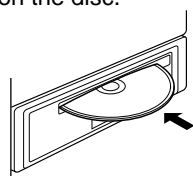
- If the CD is not removed for several seconds after it has been ejected, the player automatically draws the CD into the compartment to protect the CD.
- Only compact discs showing the marks below can be used. For models CDE-7858/CDE-7856, text information is not displayed.



- We cannot fully guarantee the playback of CD-R (CD-Recordable). You cannot playback CD-RW (CD-ReWritable) on this unit.

Normal Play and Pause

- 1 Insert a CD. The CD player begins playback from the first track on the disc.



The display shows the track number and elapsed time of the track being played (Only the track number is displayed on CDE-7858/CDE-7856). When the last track is played back the player returns to the first track and begins playback from that point.

If a CD is already loaded in the CD player, press the SOURCE button to select the CD mode.

- 2 Press the ▶|| button to temporarily stop CD playback.
To resume playback, press the ▶|| button again.

Music Sensor (Skip)

- 1 Momentarily press the <<< DN button once during CD play to return to the beginning of the current track. If you wish to access the beginning of a track further back, repeatedly press until you reach the desired track.

Press the >>> UP button once to advance to the beginning of the next track. If you wish to access the beginning of a track further ahead, press repeatedly until the desired track is reached.

NOTE

The music sensor feature is functional in the play or pause mode.

Fast Forward and Backward

- 1 Press and hold the <<< DN or >>> UP button to quickly move backward or forward until you reach the desired section of the track.

Repeat Play

- 1 Press the **REPEAT** button to play back repeatedly the track being played. The RPT indicator appears and the track will be played repeatedly.
Press the **REPEAT** button again and select OFF to deactivate the repeat play.

M.I.X. (Random Play)

- 1 Press the **M.I.X.** button in the play or pause mode. The M.I.X. indicator will illuminate and the tracks on the disc will be played back in a random sequence. After all the tracks on the disc have been played back once, the player will begin a new random sequence play until the M.I.X. mode is cancelled.
To cancel M.I.X. play, press the **M.I.X.** button again to turn off the M.I.X.

Scanning Programs

- 1 Press the **SCAN** button to activate the Scan mode. The first 10 seconds of each track will be played back in succession.
To stop scanning, press the **SCAN** button and deactivate the Scan mode.

Displaying and Scrolling CD Text (CDE-7859 only)

While playing the audio CD with CD Text, the disc and track names can be displayed and scrolled.

- 1 In CD mode, press the **TITLE** button repeatedly to display Disc Text or Track Text.
NOTE
If your CD has no Text Information, NO TEXT appears.

- 2 Press and hold the **TITLE** button for at least 3 seconds to scroll the information stored on the disc. After scrolling, the display returns to normal mode.
NOTE
SCROLL: the display is scrolled only when a disc is loaded or when a track is changed, and when the power turns ON during CD mode on this unit.

Information

In Case of Difficulty

If you encounter a problem, please review the items in the following checklist. This guide will help you isolate the problem if the unit is at fault. Otherwise, make sure the rest of your system is properly connected or consult your authorized Alpine dealer.

Basic

No function or display.

- Vehicle's ignition is off.
 - If connected following instructions, the unit will not operate with the vehicle's ignition off.
 - Improper power lead connections.
 - Check power lead connections.
 - Blown fuse.
 - Check the fuse on the battery lead of the unit; replace with the proper value if necessary.
 - Internal micro-computer malfunctioned due to interference noise etc.
 - Press the Reset switch with a ball-point pen or other pointed article.
-

Radio

Unable to receive stations.

- No antenna or open connection in cable.
 - Make sure the antenna is properly connected; replace the antenna or cable if necessary.

Unable to tune stations in the seek mode.

- You are in a weak signal area.
 - Make sure the tuner is in the DX mode.
- If the area you are in is a primary signal area, the antenna may not be grounded and connected properly.
 - Check your antenna connections; make sure the antenna is properly grounded at its mounting location.
- The antenna may not be the proper length.
 - Make sure the antenna is fully extended; if broken, replace the antenna with a new one.

Broadcast is noisy.

- The antenna is not the proper length.
 - Extend the antenna fully; replace it if it is broken.
 - The antenna is poorly grounded.
 - Make sure the antenna is grounded properly at its mounting location.
-

CD

CD Player not functioning.

- Out of operating temperature range +50°C (+120°F) for CD.
 - Allow the vehicle's interior (or trunk) temperature to cool.

CD playback sound is wavering.

- Moisture condensation in the CD Module.
 - Allow enough time for the condensation to evaporate (about 1 hour).

CD insertion not possible.

- A CD is already in the CD player.
 - Eject the CD and remove it.
- The CD is being improperly inserted.
 - Make sure the CD is being inserted following instructions in the CD Player Operation section.

Unable to fast forward or backward the CD.

- The CD has been damaged.
 - Eject the CD and discard it; using a damaged CD in your unit can cause damage to the mechanism.

CD playback sound skips due to vibration.

- Improper mounting of the unit.
 - Securely re-mount the unit.
- Disc is very dirty.
 - Clean the disc.
- Disc has scratches.
 - Change the disc.
- The pick-up lens is dirty.
 - Do not use a commercial available lens cleaner disc. Consult your nearest ALPINE dealer.

CD playback sound skips without vibration.

- Dirty or scratched disc.
 - Clean the disc; damaged disc should be replaced.

Error displays (built-in CD player only)

- Mechanical error
 - Press the ▲ button. After the error indication disappears, insert the disc again. If the above-mentioned solution does not solve the problem, consult your nearest ALPINE dealer.

Indication for CD

HI TEMP

(CDE-7859 only)

--- H

(CDE-7858/CDE-7856 only)

- Protective circuit is activated due to high temperature.
 - The indicator will disappear when the temperature returns to within operation range.

ERROR

(CDE-7859 only)

--- E

(CDE-7858/CDE-7856 only)

- Mechanism error.
 1. Press the **▲** button and eject the CD.
If not ejecting, consult your Alpine dealer.
 2. When the error indication remains after ejecting, press the **▲** button again.
If the error indication still does not turn off after pressing the **▲** button for a few times, consult your Alpine dealer.

Note

When the "ERROR" or "- - - E" is displayed:

In case that the disc cannot be ejected by pressing the **▲** button, press the Reset switch (refer to page 4) and press the **▲** button again.

If not ejecting, consult your Alpine dealer.

T-- ---

(CDE-7859 only)

T---

(CDE-7858/CDE-7856 only)

- No indicated disc.
 - Choose another disc.

Specifications

FM TUNER SECTION

Tuning Range	87.7 – 107.9 MHz
Mono Usable Sensitivity	9.3 dBf (0.8 μ V/75 ohms)
50 dB Quieting Sensitivity	13.5 dBf (1.3 μ V/75 ohms)
Alternate Channel Selectivity	80 dB
Signal-to-Noise Ratio	65 dB
Stereo Separation	35 dB

AM TUNER SECTION

Tuning Range	530 – 1,710 kHz
Sensitivity (IEC Standard)	22.5 μ V/27 dB

CD PLAYER SECTION

Frequency Response	5 – 20,000 Hz (\pm 1 dB)
Wow & Flutter (% WRMS)	Bleow measurable limits
Total Harmonic Distortion	0.008% (at 1 kHz)
Dynamic Range	95 dB (at 1 kHz)
Signal-to-Noise Ratio	105 dB
Channel Separation	85 dB (at 1 kHz)

GENERAL

Power Requirement	14.4 V DC (11–16 V allowable)
Maximum Power Output	45 W \times 4 (CDE-7859/ CDE-7858 only) 40 W \times 4 (CDE-7856 only)
Maximum Pre-Output Voltage	2 V/10 k ohms
Bass	\pm 14 dB at 60 Hz
Treble	\pm 14 dB at 10 kHz
Weight	1.5 kg (3 lbs. 5 oz)

CHASSIS SIZE

Width	178 mm (7")
Height	50 mm (2")
Depth	155 mm (6-1/8")

NOSEPIECE SIZE

Width	170 mm (6-3/4")
Height	46 mm (1-13/16")
Depth	20 mm (11/16")

Due to continuous product improvement, specifications and design are subject to change without notice.

Installation and Connections

Before installing or connecting the unit, please read the following and pages 2 and 3 of this manual thoroughly for proper use.

Warning

MAKE THE CORRECT CONNECTIONS.

Failure to make the proper connections may result in fire or product damage.

USE ONLY IN CARS WITH A 12 VOLT NEGATIVE GROUND.

(Check with your dealer if you are not sure.) Failure to do so may result in fire, etc.

BEFORE WIRING, DISCONNECT THE CABLE FROM THE NEGATIVE BATTERY TERMINAL.

Failure to do so may result in electric shock or injury due to electrical shorts.

DO NOT ALLOW CABLES TO BECOME ENTANGLED IN SURROUNDING OBJECTS.

Arrange wiring and cables in compliance with the manual to prevent obstructions when driving. Cables or wiring that obstruct or hang up on places such as the steering wheel, gear lever, brake pedals, etc. can be extremely hazardous.

DO NOT SPLICE INTO ELECTRICAL CABLES.

Never cut away cable insulation to supply power to other equipment. Doing so will exceed the current carrying capacity of the wire and result in fire or electric shock.

DO NOT DAMAGE PIPE OR WIRING WHEN DRILLING HOLES.

When drilling holes in the chassis for installation, take precautions so as not to contact, damage or obstruct pipes, fuel lines, tanks or electrical wiring. Failure to take such precautions may result in fire.

DO NOT USE BOLTS OR NUTS IN THE BRAKE OR STEERING SYSTEMS TO MAKE GROUND CONNECTIONS.

Bolts or nuts used for the brake or steering systems (or any other safety-related system), or tanks should NEVER be used for installations or ground connections. Using such parts could disable control of the vehicle and cause fire etc.

DO NOT INSTALL IN LOCATIONS WHICH MIGHT HINDER VEHICLE OPERATION, SUCH AS THE STEERING WHEEL OR GEARSHIFT.

Doing so may obstruct forward vision or hamper movement etc. and results in serious accident.

Caution

HAVE THE WIRING AND INSTALLATION DONE BY EXPERTS.

The wiring and installation of this unit requires special technical skill and experience. To ensure safety, always contact the dealer where you purchased this product to have the work done.

USE SPECIFIED ACCESSORY PARTS AND INSTALL THEM SECURELY.

Be sure to use only the specified accessory parts. Use of other than designated parts may damage this unit internally or may not securely install the unit in place. This may cause parts to become loose resulting in hazards or product failure.

ARRANGE THE WIRING SO IT IS NOT CRIMPED OR PINCHED BY A SHARP METAL EDGE.

Route the cables and wiring away from moving parts (like the seat rails) or sharp or pointed edges. This will prevent crimping and damage to the wiring. If wiring passes through a hole in metal, use a rubber grommet to prevent the wire's insulation from being cut by the metal edge of the hole.

DO NOT INSTALL IN LOCATIONS WITH HIGH MOISTURE OR DUST.

Avoid installing the unit in locations with high incidence of moisture or dust. Moisture or dust that penetrates into this unit may result in product failure.

Precautions

- Be sure to disconnect the cable from the (-) battery post before installing your CDE-7859/CDE-7858/CDE-7856. This will reduce any chance of damage to the unit in case of a short-circuit.
- Be sure to connect the color coded leads according to the diagram. Incorrect connections may cause the unit to malfunction or damage to the vehicle's electrical system.
- When making connections to the vehicle's electrical system, be aware of the factory installed components (e.g. on-board computer). Do not tap into these leads to provide power for this unit. When connecting the CDE-7859/CDE-7858/CDE-7856 to the fuse box, make sure the fuse for the intended circuit of the CDE-7859/CDE-7858/CDE-7856 has the appropriate amperage. Failure to do so may result in damage to the unit and/or the vehicle. When in doubt, consult your ALPINE dealer.
- The CDE-7859/CDE-7858/CDE-7856 uses female RCA-type jacks for connection to other units (e.g. amplifier) having RCA connectors. You may need an adaptor to connect other units. If so, please contact your authorized ALPINE dealer for assistance.
- Be sure to connect the speaker (-) leads to the speaker (-) terminal. Never connect left and right channel speaker cables to each other or to the vehicle body.

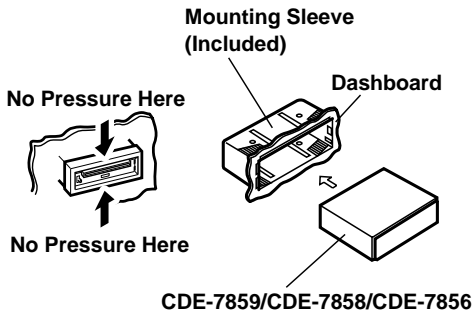
IMPORTANT

Please record the serial number of your unit in the space provided below and keep it as a permanent record. The serial number plate is located on the bottom of the unit.

SERIAL NUMBER: _____
INSTALLATION DATE: _____
INSTALLATION TECHNICIAN: _____
PLACE OF PURCHASE: _____

Installation

1

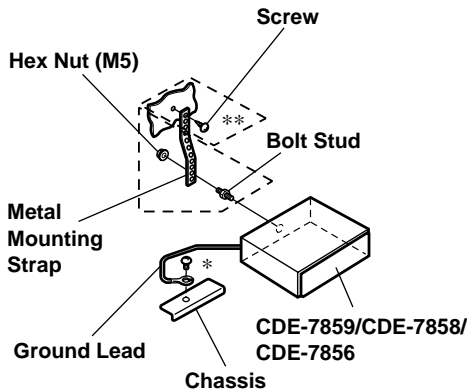


Remove the Detachable Front Panel (refer to page 4). Slide mounting sleeve from main unit. (see "Removal" on this page). Slide the mounting sleeve into the dashboard.

NOTE

Please examine the installation. Make certain that no external pressure is applied to either the top of the unit or the removable nosepiece.

2



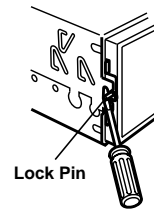
Reinforce the head unit with the metal mounting strap (not supplied). Secure the ground lead of the unit to a clean metal spot using a screw (*) already attached to the vehicle's chassis.

NOTE

For the screw marked **, use an appropriate screw for the chosen mounting location.

Connect each input lead coming from an amplifier or equalizer to the corresponding output lead coming from the left rear of the CDE-7859/CDE-7858/CDE-7856. Connect all other leads of the CDE-7859/CDE-7858/CDE-7856 according to details described in the CONNECTIONS section.

3

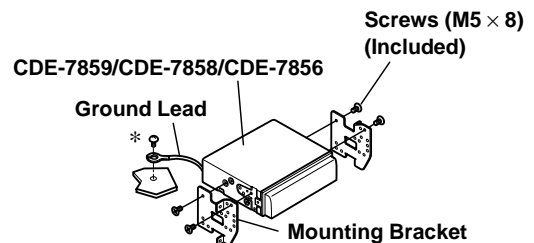
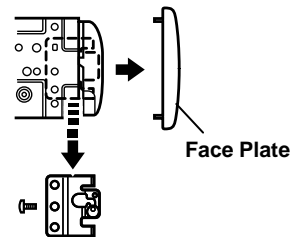


Slide the CDE-7859/CDE-7858/CDE-7856 into the dashboard. When the unit is in place, make sure the locking pins are fully seated in the down position. This can be done by pressing firmly in on the unit while pushing the locking pin down with a small screwdriver. This ensures that the unit is properly locked and will not accidentally come out from the dashboard. Install the Detachable Front Panel.

Removal

- 1 Remove the DETACHABLE FRONT PANEL.
- 2 Use a small screwdriver (or similar tool) to push the locking pins to the "up" position (see above drawing). As each pin is unlocked, gently pull out on the unit to make sure it does not re-lock before unlocking the second pin.
- 3 Pull the unit out, keeping it unlocked as you do so.

<JAPANESE CAR>

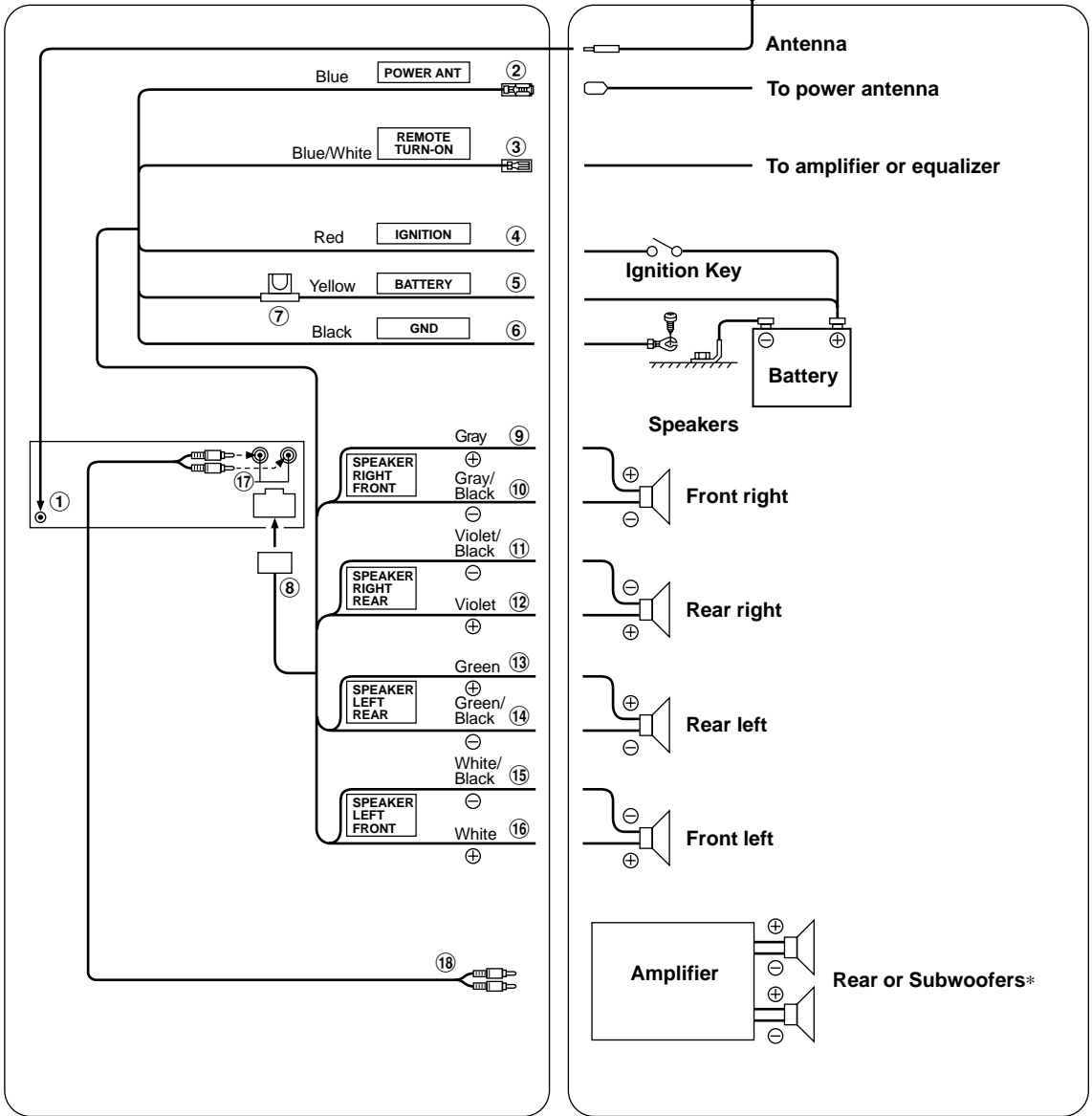


NOTE

Secure the ground lead of the unit to a clean metal spot using a screw (*) already attached to the vehicle's chassis.

Installation and Connections

Connections



* When Subwoofer is set to OFF: Output is from Rear speakers.
When Subwoofer is set to ON: Output is from Subwoofer.

For details on how to set the Subwoofer to ON/OFF, see "Subwoofer On and Off" on page 5.

- ① Antenna Receptacle
- ② Power Antenna Lead (Blue)
Connect this lead to the +B terminal of your power antenna, if applicable.
- ③ Remote Turn-On Lead (Blue/White)
Connect this lead to the remote turn-on lead of your amplifier or signal processor.
- ④ Switched Power Lead (Ignition) (Red)
Connect this lead to an open terminal on the vehicle's fuse box or another unused power source which provides (+)12V only when the ignition is turned on or in the accessory position.
- ⑤ Battery Lead (Yellow)
Connect this lead to the positive (+) post of the vehicle's battery.
- ⑥ Ground Lead (Black)
Connect this lead to a good chassis ground on the vehicle. Make sure the connection is made to bare metal and is securely fastened using the sheet metal screw provided.
- ⑦ Fuse Holder (15A)
- ⑧ Power Supply Connector
- ⑨ Right Front (+) Speaker Output Lead (Gray)
- ⑩ Right Front (-) Speaker Output Lead (Gray/Black)
- ⑪ Right Rear (-) Speaker Output Lead (Violet/Black)
- ⑫ Right Rear (+) Speaker Output Lead (Violet)
- ⑬ Left Rear (+) Speaker Output Lead (Green)
- ⑭ Left Rear (-) Speaker Output Lead (Green/Black)
- ⑮ Left Front (-) Speaker Output Lead (White/Black)
- ⑯ Left Front (+) Speaker Output Lead (White)
- ⑰ Rear/Subwoofer RCA Connectors
RED is right and WHITE is left.
- ⑱ RCA Extension Cable (Sold Separately)

To prevent external noise from entering the audio system.

- Locate the unit and route the leads at least 10 cm away from the car harness.
- Keep the battery power leads as far away from other leads as possible.
- Connect the ground lead securely to a bare metal spot (remove the coating if necessary) of the car chassis.
- If you add an optional noise suppressor, connect it as far away from the unit as possible. Your Alpine dealer carries various Alpine noise suppressors, contact them for further information.
- Your Alpine dealer knows best about noise prevention measures so consult your dealer for further information.

Contenu

Mode d'emploi



AVERTISSEMENT

AVERTISSEMENT	2
ATTENTION	2
PRÉCAUTIONS	2



Fonctionnement de base

Retrait du panneau avant	4
Pose du panneau avant	4
Mise en service de l'appareil	4
Mise sous et hors tension	4
Mise en et hors service du subwoofer (CDE-7859 uniquement)	5
Mise en et hors service du subwoofer (CDE-7858/CDE-7856 uniquement)	5
Réglage du volume/graves/aigus/balance droite- gauche/balance avant-arrière	5
Activation/annulation de la correction physiologique (CDE-7856 uniquement)	5
Silencieux (fonction MUTE)	6
Mode BBE activé/désactivé (CDE-7859/CDE-7858 uniquement)	6
Affichage de l'heure	7
Réglage de l'heure	7
Changement de la manière d'afficher le niveau des son (CDE-7859 uniquement)	7
Réglage de commande des graves (CDE-7859 uniquement)	8
Réglage de commande des aigus (CDE-7859 uniquement)	8
Réglage de la fréquence de transition des basses (CDE-7858/CDE-7856 uniquement)	8

Fonctionnement de la radio

Accord manuel	9
Accord par recherche automatique	9
Mémorisation manuelle des stations	10
Mémorisation automatique des stations	10
Mémorisation sur la gamme D.A.P. (préréglage d'accès direct)	11
Accord d'une station préréglée	11

Fonctionnement du lecteur CD

Insertion et éjection d'un disque	12
Lecture normale et pause	12
Détecteur de plage (Saut)	12
Recherche rapide vers l'avant ou l'arrière	12
Lecture répétée	13
M.I.X. (Lecture aléatoire)	13
Balayage des plages	13
Affichage et défilement du texte CD (CDE-7859 uniquement)	13

Information

En cas de problème	14
Spécifications	15

Installation et Raccordements

Avertissement	16
Attention	16
Précautions	16
Installation	17
Raccordements	18

GARANTIE LIMITÉE

AVERTISSEMENT

AVERTISSEMENT

Le point d'exclamation dans un triangle équilatéral et la mention "AVERTISSEMENT" sont destinés à attirer l'attention de l'utilisateur sur la présence d'instructions importantes.

Le non respect de ces instructions peut provoquer de graves blessures, voir la mort.

N'ACTIVER AUCUNE FONCTION SUSCEPTIBLE DE DETOURNER VOTRE ATTENTION DE LA CONDUITE DU VEHICULE.

Les fonctions requérant une attention prolongée ne doivent être exploitées qu'à l'arrêt complet du véhicule. Toujours arrêter le véhicule à un endroit sûr avant d'activer ces fonctions. Il y a risque de provoquer un accident.

GARDER LE VOLUME A FAIBLE NIVEAU DE MANIERE A POUVOIR ENTENDRE LES BRUITS EXTERIEURS PENDANT LA CONDUITE.

Il y a risque d'accident.

MINIMISER L'AFFICHAGE EN COURS DE CONDUITE.

La visualisation de l'affichage peut distraire le conducteur de la conduite du véhicule et, partant, de provoquer un accident.

NE PAS DESASSEMBLER NI MODIFIER L'APPAREIL.

Il y a risque d'accident, d'incendie ou de choc électrique.

A UTILISER UNIQUEMENT SUR DES VOITURES A MASSE NEGATIVE DE 12 VOLTS.

(Vérifiez auprès de votre concessionnaire si vous n'en êtes pas certain.) Il y a risque d'incendie, etc.

GARDER LES PETITS OBJETS COMME LES PILES HORS DE PORTEE DES ENFANTS.

L'ingestion de tels objets peut entraîner de graves blessures. En cas d'ingestion, consulter immédiatement un médecin.

UTILISER DES FUSIBLES DE L'AMPERAGE APPROPRIE.

Il y a risque d'incendie ou de décharge électrique.

NE PAS OBSTRUER LES SORTIES D'AIR NI LES PANNEAUX DU RADIATEUR.

Une surchauffe interne peut se produire et provoquer un incendie.

UTILISER CET APPAREIL POUR DES APPLICATIONS MOBILES DE 12 V.

Toute utilisation autre que l'application désignée comporte un risque d'incendie, de choc électrique ou de blessure.

NE PAS INTRODUIRE LES MAINS, LES DOIGTS NI DE CORPS ETRANGERS DANS LES FENTES ET LES INTERSTICES.

Il y a risque de blessures ou de dommages à l'appareil.

ATTENTION

Le point d'exclamation dans un triangle équilatéral et la mention "ATTENTION" sont destinés à attirer l'attention de l'utilisateur sur la présence d'instructions importantes.

Le non respect de ces instructions peut provoquer des blessures ou des dommages de matériels.

INTERROMPRE TOUTE UTILISATION EN CAS DE PROBLEME.

Le non-respect de cette précaution peut entraîner des blessures ou endommager l'appareil. Retourner l'appareil auprès du distributeur Alpine agréé ou un centre de service après-vente Alpine en vue de la réparation.

PRÉCAUTIONS

Température

Assurez-vous que la température intérieure du véhicule est comprise entre +60°C (+140°F) et -10°C (+14°F) avant de mettre l'appareil sous tension.

Condensation d'humidité

Si le son est irrégulier pendant la lecture de CD, de l'humidité s'est probablement condensée. Dans ce cas, enlever le disque du lecteur et attendre environ une heure pour que l'humidité s'évapore.

Disque endommagé

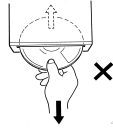
Ne pas reproduire un disque craquelé, déformé ou endommagé sous peine de détériorer sévèrement le mécanisme de lecture.

Entretien

En cas de problème, n'essayez pas de réparer l'appareil vous-même. Rappelez l'appareil à votre revendeur Alpine, ou à défaut, apportez-le dans un centre de réparation Alpine.

Ne jamais tenter d'effectuer les opérations suivantes

Ne pas attraper ni tirer sur le disque pendant qu'il est attiré dans le lecteur par le mécanisme de recharge automatique. Ne pas essayer d'insérer un disque dans l'appareil quand celui-ci est hors tension.

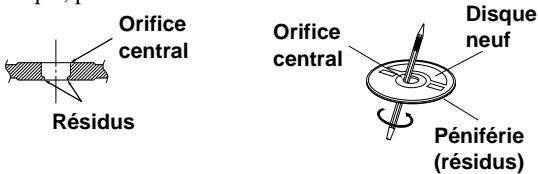


Insertion des disques

Ne pas tenter de charger plusieurs disques car le lecteur accepte un seul disque à la fois pour la lecture. Insérer le disque avec la face imprimée vers le haut. Le lecteur éjecte automatiquement tout disque incorrectement inséré. Si le lecteur continue à éjecter un disque inséré correctement, appuyer sur l'interrupteur de réinitialisation (situé derrière le panneau avant détachable) avec un objet pointu comme un stylo-bille. L'écoute d'un disque sur une route très abîmée peut provoquer des sautes de son mais ne risque pas de rayer le disque ni d'endommager le lecteur.

Disques neufs

Par mesure de protection, le lecteur CD éjecte automatiquement un disque qui n'est pas inséré correctement ou dont la surface est irrégulière. Si le lecteur éjecte un disque neuf chargé pour la première fois, toucher le contour de l'orifice central et de la périphérie du disque avec le doigt. Si le disque contient des résidus ou des irrégularités, il ne pourra pas être chargé. Pour enlever les résidus, passer un stylo-bille ou autre objet similaire sur le contour de l'orifice central et de la périphérie du disque, puis le réinsérer.



Disques de forme irrégulière

N'utilisez que des disques de forme ronde avec cet appareil à l'exclusion de tout autre. L'utilisation de disques de forme spéciale peut endommager le mécanisme.



Emplacement de montage

N'installez pas le CDE-7859/CDE-7858/CDE-7856 dans un endroit exposé :

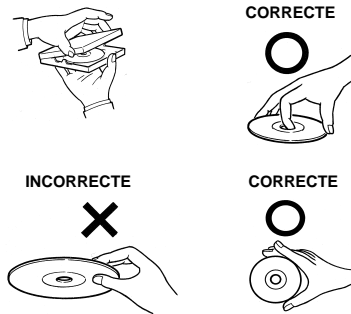
- directement au soleil ou à la chaleur,
- à l'humidité et à l'eau,
- à la poussière,
- à des vibrations excessives.

Manipulation du panneau avant détachable

- Protégez-le de la pluie et de l'eau.
- Ne le laissez pas tomber et ne le soumettez pas à des chocs.

Manipulation correcte

Veiller à ne pas faire tomber le disque. Tenir le disque de manière à ne pas laisser d'empreintes sur la surface. Ne pas coller de ruban adhésif, papier ou étiquette sur le disque. Ne rien écrire sur le disque.



Nettoyage des disques

Des traces de doigts, de poussière ou de saleté sur la surface du disque peuvent provoquer des sautes de son. Essuyer le disque du centre vers la périphérie avec un chiffon doux et propre. Si la surface du disque est vraiment sale, humidifier le chiffon d'une solution détergente neutre avant d'essuyer le disque.



Au sujet des accessoires pour disque

Beaucoup d'accessoires sont disponibles sur le marché pour protéger la surface du disque et améliorer la qualité sonore. Cependant, certains de ces accessoires peuvent affecter l'épaisseur et/ou le diamètre du disque.

L'utilisation de tels accessoires peut modifier les spécifications du disque et provoquer des erreurs de fonctionnement. Nous déconseillons l'utilisation de tels accessoires avec des disques à reproduire sur les lecteurs CD Alpine.

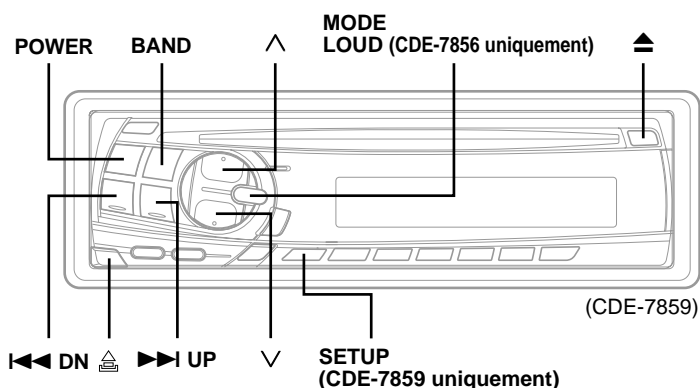


Feuille transparente



Stabilisateur de disque

Fonctionnement de base



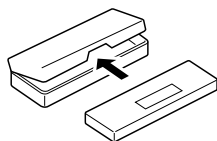
Retrait du panneau avant

- 1 Appuyez sur la touche **POWER** (alimentation) pendant plus de 3 secondes pour éteindre l'appareil.
- 2 Appuyez sur la touche de (libération) dans le coin inférieur gauche jusqu'à ce que le panneau avant se désenclenche.
- 3 Saisissez le côté gauche du panneau avant et tirez pour l'enlever.



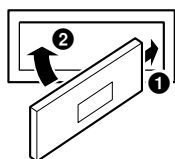
REMARQUES

- Le panneau avant peut devenir chaud malgré un usage normal (surtout au niveau des connecteurs). Il ne s'agit pas d'un mauvais fonctionnement.
- Afin de protéger le panneau avant, rangez-le dans l'étui fourni.



Pose du panneau avant

- 1 Insérez d'abord le côté droit du panneau avant dans l'appareil. Alignez les deux petits orifices du panneau avant sur les deux saillies de l'appareil principal.
- 2 Poussez sur le côté gauche du panneau avant jusqu'à ce qu'il s'enclenche à fond dans l'appareil.



REMARQUE

Avant de mettre le panneau avant, vérifiez qu'il n'y a pas de poussière ni saleté sur les bornes du connecteur et qu'aucun objet ne se trouve entre le panneau avant et l'appareil.

Mise en service de l'appareil

Immédiatement après l'installation ou la mise sous tension, l'appareil doit être initialisé. Pour ce faire, enlevez d'abord le panneau avant détachable. Derrière le panneau avant, à la droite du connecteur, se trouve un petit orifice. A l'aide d'un crayon ou d'un autre objet pointu, appuyez sur le commutateur de réinitialisation rouge au fond de l'orifice pour initialiser l'appareil.



Commutateur de réinitialisation

Mise sous et hors tension

- 1 Appuyez sur la touche **POWER** (alimentation) pour mettre l'appareil sous tension.

REMARQUE

L'appareil peut être allumé en appuyant sur n'importe quelle touche, sauf la touche d'éjection.

Le niveau de volume augmente graduellement jusqu'au niveau réglé avant la mise hors tension de l'appareil. Appuyez pendant au moins 3 secondes sur la touche **POWER** pour mettre l'appareil hors tension.

REMARQUE

La première fois que l'appareil est mis sous tension, le volume commence au niveau 12, le BBE est activé en mode syntoniseur*, et la fonction LOUD est activée**.

* CDE-7859/CDE-7858 uniquement.

** CDE-7856 uniquement.

Mise en et hors service du subwoofer (CDE-7859 uniquement)

- 1 Appuyez pendant au moins 3 secondes sur la touche **SETUP**.
- 2 Appuyez sur la touche **◀◀ DN** ou **▶▶ UP** pour sélectionner le mode Sub-w.
- 3 Appuyez sur la touche **BAND** pour sélectionner Subwoofer ON ou OFF.
- 4 Lorsque le réglage est terminé, appuyez sur la touche **SETUP** pour revenir au mode normal.

REMARQUES

- Le mode initial est "Subwoofer ON".
- Réglez sur "Subwoofer OFF" si vous n'utilisez pas le subwoofer.
- Quand le subwoofer est activé, son niveau de sortie peut être ajusté. Pour de plus amples détails, reportez-vous à la section Réglage du volume/balance droite-gauche/balance avant-arrière.

Mise en et hors service du subwoofer (CDE-7858/CDE-7856 uniquement)

- 1 Appuyez pendant au moins 3 secondes sur la touche **▲** (d'éjection).
A chaque pression, le subwoofer se met en ou hors service.

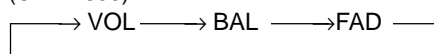
REMARQUES

- Le mode initial est "Subwoofer OFF".
- Réglez sur "Subwoofer OFF" si vous n'utilisez pas le subwoofer.
- Quand le subwoofer est activé, son niveau de sortie peut être ajusté. Pour de plus amples détails, reportez-vous à la section Réglage du volume/graves/aigus/balance droite-gauche/balance avant-arrière.

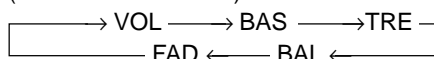
Réglage du volume/graves/aigus/balance droite-gauche/balance avant-arrière

- 1 Appuyez de façon répétée sur le bouton **MODE** pour choisir le mode souhaité.
A chaque pression les modes changent de la façon suivante:

(CDE-7859)



(CDE-7858/CDE-7856)



REMARQUES

- Si la touche **∨** ou **∧** n'est pas actionnée dans les 5 secondes suivant la sélection du mode **BASS**, **TREBLE**, **BALANCE** ou **FADER**, l'appareil revient automatiquement au mode **VOLUME**.
 - Quand le subwoofer est réglé sur **ON**, son niveau peut être ajusté.
- 2 Appuyez sur la touche **∨** ou **∧** jusqu'à ce que le son désiré soit obtenu dans chaque mode.

REMARQUE

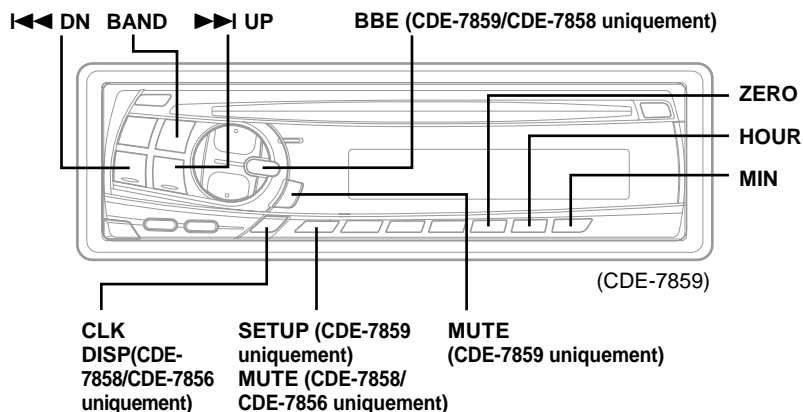
Les réglages des graves et des aigus sont mémorisés séparément pour chaque source (FM, AM et CD) et conservés jusqu'à qu'ils soient modifiés. Selon l'appareil raccorde, certaines fonctions n'apparaissent pas sur l'affichage.

Activation/annulation de la correction physiologique (CDE-7856 uniquement)

La correction physiologique accentue les basses et moyennes fréquences du son reproduit à faible niveau pour compenser la sensibilité réduite de l'oreille à ces fréquences.

- 1 Appuyer sur la touche **LOUD** et la maintenir enfoncée pendant au moins 2 secondes pour activer ou annuler le mode de correction physiologique.
L'affichage indique "LOUD" quand la correction physiologique est en service.

Fonctionnement de base



Silencieux (fonction MUTE)

Quand vous activez cette fonction, le niveau du volume est automatiquement réduit de 20 dB.

- 1 Appuyez sur la touche **MUTE** pour activer le mode MUTE (silencieux). Le niveau sonore est réduit de 20 dB environ. Une nouvelle pression sur la touche **MUTE** rétablit le niveau antérieur.

Mode BBE activé/désactivé (CDE-7859/CDE-7858 uniquement)

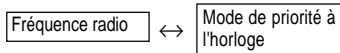
Le processeur BBE (Barcus Berry Electronics) installé dans cette unité a été conçu pour corriger la distorsion de phase inhérente à la plupart des haut-parleurs. En assurant l'intégrité de phase du signal commandant les haut-parleurs, améliore la reproduction exacte du son.

- 1 Maintenez enfoncée la touche **BBE** pendant au moins 2 secondes pour activer le mode BBE. A chaque pression, le mode BBE est mis en ou hors service.

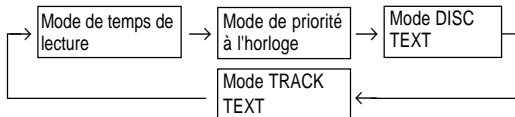
Affichage de l'heure

- Appuyez de façon répétée sur la touche **CLK** (CDE-7859 uniquement) ou **DISP** (CDE-7858/ CDE-7856 uniquement) jusqu'à ce que l'heure soit affichée.
A chaque pression, les modes changent de la façon suivante:

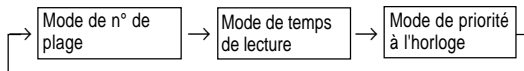
Mode Radio



CDE-7859: Mode Lecteur CD



CDE-7858/CDE-7856: Modes Lecteur CD



REMARQUE

La sélection de la radio, du lecteur de CD interrompt momentanément l'affichage de l'heure.
La fonction sélectionnée est affichée pendant environ 5 secondes, puis l'heure réapparaît sur l'affichage.

Réglage de l'heure

- Alors que l'heure est affichée, maintenez la touche **CLK** (horloge) enfoncée pendant au moins 3 secondes.
L'indication de l'heure se met à clignoter.
- Appuyez sur la touche **ZERO** pendant que l'indication de l'heure clignote pour régler les secondes à "0".
- Appuyez sur la touche **HOUR** pour régler les heures pendant que l'indication de l'heure clignote.
- Appuyez sur la touche **MIN** pour régler les minutes pendant que l'indication de l'heure clignote.
L'indication de l'heure cessera de clignoter 5 secondes après le dernier réglage. L'heure sera réglée automatiquement.

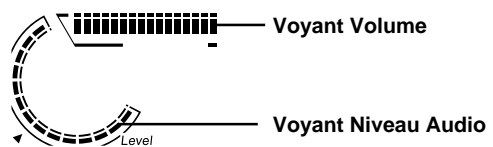
Changement de la manière d'afficher le niveau des son (CDE-7859 uniquement)

- Appuyez pendant au moins 3 secondes sur la touche **SETUP**.
- Appuyez sur la touche **I◀◀ DN** ou **▶▶ UP** pour sélectionner le mode DISP.
- Appuyez sur la touche **BAND** pour modifier le mode d'affichage.



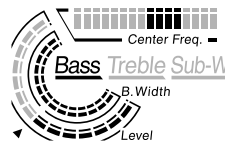
DISP1:

Allume le voyant Volume et le voyant Niveau Audio.



DISP2:

Allume les barres de mode et de valeur pour indiquer les réglages de l'affichage du moteur des graves.



Exemple de réglages:
Fréquence centrale des graves: 100 Hz
Largeur de bande des graves: WIDE1
Niveau des graves: - 6

REMARQUE

Le dernier mode réglé reste activé. Les barres de mode et de valeur s'allument et indiquent les réglages du moteur des graves.

DISP OFF:

Eteint l'éclairage de l'affichage du moteur des graves.

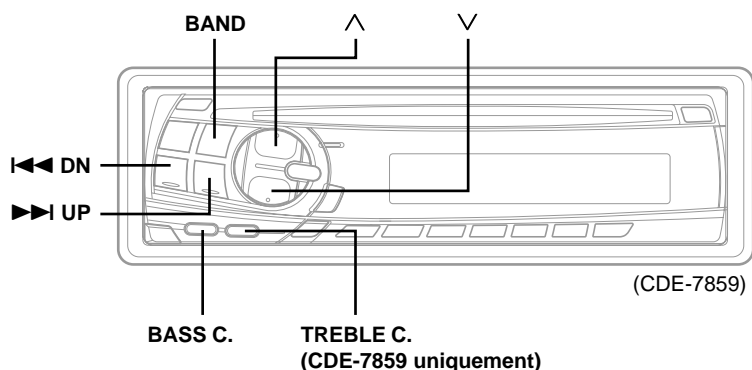
Si vous réglez DISP OFF, le voyant Volume, le voyant Audio et l'affichage du moteur des basses ne sont pas tout le temps allumés. Pour les allumer, appuyez sur la touche **BAND** pour quitter DISP OFF.

REMARQUE

Si aucune touche n'est enfoncée pendant 5 secondes, l'affichage revient en mode normal automatiquement.

- Appuyez sur la touche **SETUP** pour revenir au mode normal.

Fonctionnement de base



Réglage de commande des graves (CDE-7859 uniquement)

Vous pouvez changer les réglages Bass Frequency de manière à créer la tonalité de votre choix.

- 1 Appuyez sur la touche **BASS C.** pour activer le mode de réglage des graves.
- 2-1 Réglage de la fréquence des graves:
Appuyez sur la touche **◀◀ DN** ou **▶▶ UP** pour sélectionner la fréquence centrale des graves souhaitée.

60Hz ↔ 80Hz ↔ 100Hz ↔ 200Hz

Accentue les gammes de fréquence des graves.

- 2-2 Réglage de la largeur de bande des graves (Q-Factor):
Appuyez sur la touche **BAND** pour sélectionner la largeur de bande des graves.

→ WIDE1 → WIDE2 → WIDE3 → WIDE4
(Large) ← → (Étroite)

Modifie la largeur de bande de la fréquence affichée à étroite ou large.

- 2-3 Réglage du niveau des graves:
Appuyez sur la touche **v** ou **^** pour sélectionner le niveau de graves souhaité (-7~+7).
Vous pouvez accentuer ou affaiblir la fréquence des graves.

REMARQUE

Si aucune touche n'est enfoncée pendant 5 secondes, le réglage de commande des graves se désactive automatiquement.

Réglage de la commande des aigus (CDE-7859 uniquement)

Vous pouvez changer les réglages Treble Frequency de manière à créer la tonalité de votre choix.

- 1 Appuyez sur la touche **TREBLE C.** pour activer le mode de réglage des aigus.
- 2-1 Réglage de la fréquence des aigus:
Appuyez sur la touche **◀◀ DN** ou **▶▶ UP** pour sélectionner la fréquence centrale des aigus souhaitée.

10kHz ↔ 12.5kHz ↔ 15kHz ↔ 17.5kHz

Accentue les gammes de fréquence des aigus.

- 2-2 Réglage du niveau des aigus:
Appuyez sur la touche **v** ou **^** pour sélectionner le niveau de aigus souhaité (-7~+7).
Vous pouvez accentuer la fréquence des aigus.

REMARQUE

Si aucune touche n'est enfoncée pendant 5 secondes, le réglage de commande des aigus se désactive automatiquement.

Réglage de la fréquence de transition des basses (CDE-7858/CDE-7856 uniquement)

La fréquence centrale des basses peut être réglée sur 60, 80, 100 ou 200 Hz.

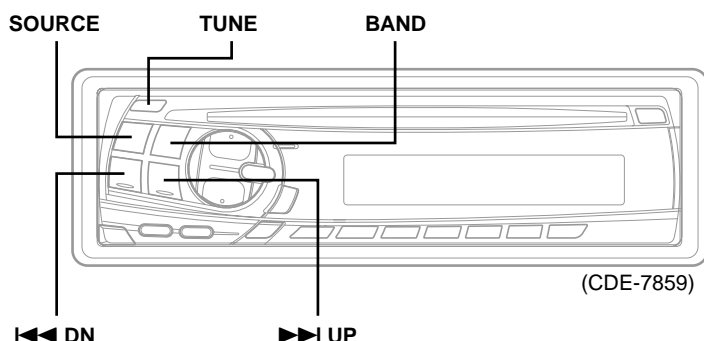
- 1 Maintenez la touche **BASS C.** enfoncée pendant au moins 3 secondes pour activer les réglages de commande des graves.
- 2 Appuyez sur la touche **◀◀ DN** ou **▶▶ UP** pour sélectionner la fréquence centrale désirée pour les graves.
A chaque pression, la fréquence centrale des basses change de la façon suivante: 60 Hz, 80 Hz, 100 Hz et 200 Hz.

REMARQUE

Si aucune touche n'est enfoncée pendant 5 secondes, le réglage de commande des graves sera désactivé automatiquement.

- 3 Appuyez sur la touche **BASS C.** pendant plus de 3 secondes pour désactiver les réglages de commande des graves.

Fonctionnement de la radio



Accord manuel

- 1 Appuyez sur la touche **SOURCE** jusqu'à ce que une fréquence radio apparaisse sur l'affichage.
- 2 Appuyez plusieurs fois sur la touche **BAND** jusqu'à ce que la gamme souhaitée soit affichée. A chaque pression, la gamme change de la façon suivante:
→ F1(FM1) → F2(FM2) → AM
- 3 Appuyez de façon répétée sur la touche **TUNE** jusqu'à ce que "DX SEEK" et "SEEK" disparaissent de l'affichage.

REMARQUE

Le mode initial est DX SEEK.

- 4 Appuyez sur la touche **◀◀ DN** ou **▶▶ UP** pour descendre ou monter l'échelle des fréquences d'un incrément jusqu'à ce que la fréquence de la station souhaitée soit affichée.

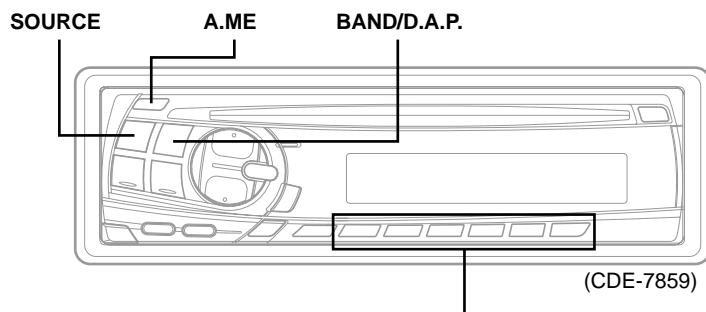
REMARQUE

L'indicateur ST apparaît sur l'affichage quand une station FM stéréo est accordée.

Accord par recherche automatique

- 1 Appuyez sur la touche **SOURCE** jusqu'à ce que une fréquence radio apparaisse sur l'affichage.
- 2 Appuyez plusieurs fois sur la touche **BAND** jusqu'à ce que la gamme souhaitée soit affichée. A chaque pression, la gamme change de la façon suivante:
→ F1(FM1) → F2(FM2) → AM
- 3 Appuyez sur la touche **TUNE** pour allumer les indicateurs DX et SEEK sur l'affichage. Quand le mode DX (Distance) est en service, toutes les stations à signal puissant ou faible sont accordées lors de la recherche automatique. Appuyez une nouvelle fois sur la touche pour revenir au mode local. L'indicateur DX s'éteint et l'indicateur SEEK reste allumé. Seules les stations puissantes seront accordées.
- 4 Appuyez sur la touche **◀◀ DN** ou **▶▶ UP** pour lancer la recherche automatique d'une station en arrière ou en avant de la position actuelle. L'appareil s'arrête sur la prochaine station qu'il trouve. Appuyez de nouveau sur la même touche pour poursuivre la recherche de station.

Fonctionnement de la radio



Touches de Préréglage (1 à 6)

Mémorisation manuelle des stations

- 1 Sélectionnez la gamme d'ondes et accordez la station que vous voulez mémoriser.
- 2 Appuyez sur une des touches de **Préréglage (1 à 6)** pendant au moins 2 secondes jusqu'à ce que la fréquence de la station clignote sur l'affichage.
- 3 Appuyez sur la touche de **Préréglage** sur laquelle vous voulez mémoriser la station pendant que la fréquence affichée clignote (dans les 5 secondes).
L'affichage cesse de clignoter lorsque la station a été mémorisée. L'affichage indique la gamme, le numéro de préréglage avec un triangle (\triangle) et la fréquence de la station mémorisée.
- 4 Répétez la procédure pour mémoriser 5 autres stations de la même gamme au maximum. Pour mémoriser des stations d'une autre gamme, il suffit de sélectionner une autre gamme et de répéter la même procédure.
Vous pouvez mémoriser 24 stations au total (6 stations sur chaque gamme: FM1, FM2, AM et D.A.P.).

REMARQUE

Si vous mémorisez une station sur un préréglage qui a déjà été utilisé pour une autre station, cette station sera effacée et remplacée par la nouvelle.

Mémorisation automatique des stations

- 1 Appuyez sur la touche **SOURCE** pour sélectionner le mode radio.
- 2 Appuyez plusieurs fois sur la touche **BAND** jusqu'à ce que la gamme souhaitée soit affichée.
- 3 Appuyez sur la touche **A. ME** pendant au moins 2 secondes.
La fréquence change continuellement sur l'affichage pendant que la mémorisation automatique est en cours. Le tuner recherche et mémorise automatiquement les 6 stations les plus puissantes sur la gamme sélectionnée. Elles seront préréglées sur les touches 1 à 6 dans l'ordre de puissance du signal. Quand la mémorisation automatique est terminée, le tuner revient à la station mémorisée sur la touche de préréglage 1.

REMARQUE

Si aucune station n'est mémorisée, le tuner revient à la station que vous écoutiez avant que la mémorisation automatique ne commence.

Mémorisation sur la gamme D.A.P. (préréglage d'accès direct)

Vous pouvez préréglager manuellement en tout 6 stations radio des gammes AM et FM sur la gamme D.A.P.

- 1** Maintenez la touche **D.A.P.** enfoncée pendant au moins 2 secondes jusqu'à ce que l'indicateur D.A.P. apparaisse.

Appuyez sur la touche **BAND** pour sélectionner FM ou AM.

La gamme sélectionnée est affichée.

Pour mémoriser des stations sur la gamme D.A.P., procédez comme expliqué dans le paragraphe précédent pour la mémorisation Automatique ou manuelle des stations.

REMARQUE

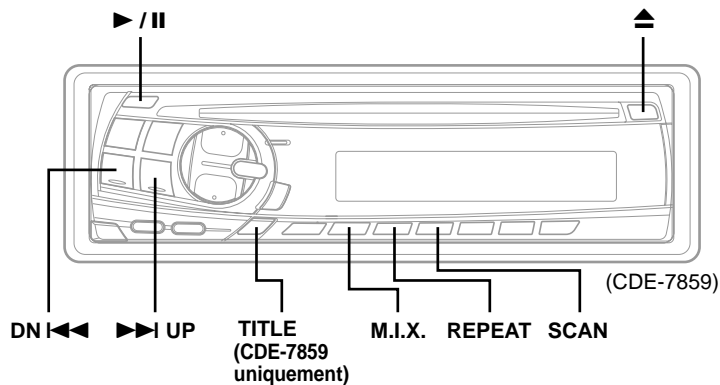
Cette fonction peut être utilisée en même temps que la mémorisation automatique des stations.

Pour désactiver le mode D.A.P., maintenez la touche D.A.P. enfoncée pendant au moins 2 secondes. L'indicateur D.A.P. disparaît.

Accord d'une station préréglée

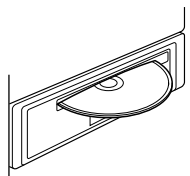
- 1** Appuyez sur la touche **SOURCE** pour sélectionner le mode radio.
- 2** Appuyez plusieurs fois sur la touche **BAND** jusqu'à ce que la gamme souhaitée soit affichée.
Pour sélectionner la bande D.A.P., maintenez la touche D.A.P. enfoncée pendant au moins 2 secondes jusqu'à ce que l'indicateur D.A.P. apparaisse dans la fenêtre d'affichage.
- 3** Appuyez sur la touche sur laquelle la station souhaitée est **Préréglée**.
L'affichage indique la gamme, le numéro de préréglage avec un triangle et la fréquence de la station sélectionnée.

Fonctionnement du lecteur CD



Insertion et éjection d'un disque

- 1 Insérez un disque à moitié dans la fente avec la face imprimée tournée vers le haut. Le lecteur l'attire automatiquement dans le logement de disque.



L'indicateur de disque apparaît pour signaler qu'un disque est en place.

REMARQUE

Les CD de 8 cm peuvent être utilisés.

- 2 Appuyez sur la touche ▲ (d'éjection) quand vous voulez éjecter le CD.

REMARQUES

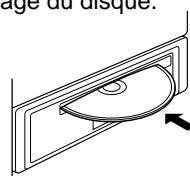
- Si le CD n'est pas retiré plusieurs secondes après son éjection, il est automatiquement attiré dans son logement par mesure de protection.
- Vous pouvez uniquement utiliser les disques compacts identifiés par les logos ci-dessous. Aucune indication textuelle n'apparaît pour les modèles CDE-7858/CDE-7856.



- Nous ne pouvons garantir totalement la lecture de disques CD-R (CD enregistrables). Vous ne pouvez pas reproduire de disques CD-RW (CD réinscriptibles) sur cet appareil.

Lecture normale et pause

- 1 Insérez un CD. La lecture commence à partir de la première plage du disque.



L'affichage indique le numéro de plage et le temps écoulé de la plage en cours de lecture (Seul le numéro de la plage s'affiche sur le CDE-7858/CDE-7856). Quand la dernière plage est reproduite, la lecture reprend à partir de la première plage.

Si un CD est déjà dans le lecteur CD, appuyez sur la touche SOURCE pour sélectionner le mode CD.

- 2 Appuyez sur la touche ► / II pour commencer la lecture du CD. Pour reprendre la lecture, appuyez de nouveau sur la touche ► / II.

Détecteur de plage (Saut)

- 1 Appuyez brièvement sur la touche ◀◀ DN en cours de lecture CD pour revenir au début de la plage en cours. Pour revenir au début de l'une des plages précédentes, appuyez plusieurs fois de suite sur la touche jusqu'à ce que vous ayez atteint la plage voulue.

Appuyez sur la touche ▶▶ UP pour passer au début de la plage suivante. Pour accéder au début de l'une des plages suivantes, appuyez plusieurs fois de suite sur la touche jusqu'à ce que vous ayez atteint la plage voulue.

REMARQUE

La détection de plage fonctionne en mode de lecture ou de pause.

Recherche rapide vers l'avant ou l'arrière

- 1 Appuyez sur la touche ◀◀ DN ou ▶▶ UP et tenez-la enfoncée pour avancer ou reculer rapidement sur le disque jusqu'à ce que vous atteigniez le passage souhaité de la plage.

Lecture répétée

- 1 Appuyez sur la touche **REPEAT** (répétée) pour répéter la plage en cours de lecture. L'indicateur RPT apparaît et la plage est répétée de manière répétée.

Appuyez une nouvelle fois sur la touche **REPEAT** pour arrêter la lecture répétée.

M.I.X. (Lecture aléatoire)

- 1 Appuyez sur la touche **M.I.X.** en mode de lecture ou de pause. L'indicateur M.I.X. s'allume et les plages du disque sont reproduites dans un ordre aléatoire. Quand toutes les plages du disque ont été reproduites une fois, le lecteur commence une nouvelle séquence de lecture aléatoire jusqu'à ce que vous annuliez le mode M.I.X.

Pour annuler la lecture M.I.X., appuyez de nouveau sur la touche **M.I.X.**

Balayage des plages

- 1 Appuyez sur la touche **SCAN** pour activer le balayage. Les 10 premières secondes de chaque plage sont reproduites dans l'ordre. Pour arrêter l'exploration, appuyez sur la touche **SCAN** et désactivez le mode Scan.

Affichage et défilement du texte CD (CDE-7859 uniquement)

Pendant la lecture d'un CD audio avec texte CD, il vous est possible d'afficher et de faire défiler le nom du disque et des plages.

- 1 En mode CD, appuyez plusieurs fois sur la touche **TITLE** pour afficher Disc Text ou Track Text.

REMARQUE

Si votre CD ne contient pas d'information de texte, NO TEXT apparaît.

- 2 Maintenez enfoncée la touche **TITLE** pendant au moins 3 secondes pour faire défiler les informations contenues sur le disque. Après avoir fait défiler ces informations, l'affichage revient au mode normal.

REMARQUE

SCROLL: l'affichage défile seulement lors du chargement d'un disque ou du changement de plage et lorsque ce lecteur est mis sous tension (ON) en mode CD.

Information

En cas de problème

En cas de problème, consultez la liste de vérifications suivantes. Ce guide devrait vous aider à résoudre tout problème provenant de l'appareil. Sinon, vérifiez les connexions du reste du système ou consultez un revendeur Alpine autorisé.

Base

Fonctions inopérantes ou pas d'affichage.

- La clé de contact du véhicule est sur la position d'arrêt.
 - Si l'appareil est raccordé selon les instructions, il ne fonctionne pas quand la clé de contact est sur la position d'arrêt.
- Connexions incorrectes du cordon d'alimentation.
 - Vérifiez les connexions du cordon d'alimentation.
- Le fusible a sauté.
 - Vérifiez le fusible sur le câble de l'appareil conduisant à la batterie, et remplacez-le par un fusible de même puissance, si nécessaire.
- Dysfonctionnement du microprocesseur interne dû à des interférences, etc.
 - Appuyez sur le commutateur de réinitialisation avec un stylobille ou un objet pointu.

Radio

Impossible de recevoir les stations.

- Pas d'antenne ou connexion incorrecte des câbles.
 - Vérifiez que l'antenne est bien raccordée; remplacez l'antenne ou le câble si nécessaire.

Impossible d'accorder les stations en mode de recherche automatique.

- Les signaux dans la région sont faibles.
 - Vérifiez que le tuner est en mode DX.
- Si vous êtes dans une région à signal fort, l'antenne n'est peut (peut-être) être pas mise à la terre ou raccordée correctement.
 - Vérifiez les connexions de l'antenne; vérifiez qu'elle est correctement reliée à un point de masse à l'emplacement du montage.
- La longueur de l'antenne ne convient pas.
 - Vérifiez si l'antenne est complètement déployée. Si l'antenne est cassée, remplacez-la par une neuve.

Réception parasitée.

- La longueur de l'antenne ne convient pas.
 - Déployez complètement l'antenne, remplacez-la si elle est cassée.
- L'antenne n'est pas correctement reliée à la masse.
 - Vérifiez que l'antenne est correctement reliée à un point de masse à l'emplacement du montage.

CD

Le lecteur CD ne fonctionne pas.

- La température dépasse +50°C (+120°F).
 - Laissez la température de l'habitacle (ou du coffre) baisser.

Le son de lecture de CD est déformé.

- Condensation d'humidité dans le module CD.
 - Attendez que l'humidité s'évapore (environ 1 heure).

Insertion de CD impossible.

- Un CD se trouve déjà dans le lecteur CD.
 - Ejectez le CD et enlevez-le.
- Le CD est mal inséré.
 - Assurez-vous que le CD a été introduit conformément aux instructions précisées dans la section consacrée à l'utilisation du lecteur CD.

Avance rapide ou inversion impossibles.

- Le CD est endommagé.
 - Ejectez le CD et jetez-la. L'emploi d'un CD endommagé peut abîmer le mécanisme de l'appareil.

Pertes de son dues à des vibrations.

- Mauvais montage de l'appareil.
 - Réinstallez l'appareil correctement.
- Disque sale.
 - Nettoyez le disque.
- Disque rayé.
 - Remplacez le disque.
- Lentille de lecture sale.
 - N'utilisez pas un disque de nettoyage disponible dans le commerce.
 - Consultez votre revendeur ALPINE le plus proche.

Pertes de son non dues à des vibrations.

- Disque sale ou rayé.
 - Nettoyez le disque; remplacez tout disque endommagé.

Ecrans d'erreur (lecteur CD intègre uniquement).

- Erreur mécanique
 - Appuyez sur la touche ▲. Après que l'indication d'erreur a disparu, reintroduisez le disque. Si la solution susmentionnée ne résout pas le problème, consultez votre revendeur ALPINE.

Indications pour CD

HI TEMP

(CDE-7859 uniquement)

--- H

(CDE-7858/CDE-7856
uniquement)

- Le circuit de protection s'est déclenché car la température est trop élevée.
- L'indication disparaît quand la température revient dans la plage de fonctionnement.

ERROR

(CDE-7859 uniquement)

--- E

(CDE-7858/CDE-7856
uniquement)

- Erreur de mécanisme.
 - Appuyer sur la touche ▲ et éjecter le CD.
Si l'éjection n'a pas lieu, consulter le revendeur Alpine.
 - Lorsque une indication d'erreur reste après avoir éjecté, appuyer à nouveau sur la touche ▲.
Si une indication d'erreur ne s'éteint toujours pas après avoir appuyé plusieurs fois sur la touche ▲, consulter le revendeur Alpine.

Remarque

Si "ERROR" ou "--- E" est affiché:

S'il n'est pas possible l'éjection du disque en appuyant sur la touche ▲, appuyez sur le commutateur de réinitialisation (voir la page 4) et sur la touche ▲ à nouveau.

Si l'éjection n'a pas lieu, consulter le revendeur Alpine.

T--- ---

(CDE-7859 uniquement)

T---

(CDE-7858/CDE-7856
uniquement)

- Le disque sélectionné n'est pas en place.
- Choisissez un autre disque.

Spécifications

SECTION TUNER FM

Plage d'accord	87,7 – 107,9 MHz
Sensibilité mono utilisable	9,3 dBf (0,8 µV/75 ohms)
Seuil de sensibilité 50 dB	13,5 dBf (1,3 µV/75 ohms)
Sélectivité de canal alternatif	80 dB
Rapport signal sur bruit	65 dB
Séparation stéréo	35 dB

SECTION TUNER AM

Plage d'accord	530 – 1.710 kHz
Sensibilité (norme IEC)	22,5 µV/27 dB

SECTION LECTEUR CD

Réponse en fréquence	5-20.000 Hz (±1 dB)
Pleurage et scintillement (% efficace)	En dessous de la limite mesurable
Distorsion harmonique totale	0,008% (à 1 kHz)
Plage dynamique	95 dB (à 1 kHz)
Rapport signal sur bruit	105 dB
Séparation de canaux	85 dB (à 1 kHz)

GENERALITES

Alimentation	14,4 V CC (11 – 16V permissible)
Sortie max. d'alimentation	45 W × 4 (CDE-7859/ CDE-7858 uniquement) 40 W × 4 (CDE-7856 uniquement)
Tension sortie pré-ampli maximum	2 V/10 k ohms
Graves	±14 dB/60 Hz
Aigus	±14 dB/10 kHz
Poids	1,5 kg

DIMENSIONS DU CHASSIS

Largeur	178 mm
Hauteur	50 mm
Profondeur	155 mm

DIMENSIONS DE L'AVANT

Largeur	170 mm
Hauteur	46 mm
Profondeur	20 mm

La conception et les spécifications sont modifiables sans préavis dans le but d'améliorer les produits.

Installation et Raccordements

Avant d'installer ou de raccorder l'appareil, liez attentivement les précautions suivantes ainsi que les pages 2 et 3 de ce mode d'emploi de manière à en garantir une utilisation correcte.

Avertissement

EFFECTUER CORRECTEMENT LES CONNEXIONS.

Il y a risque de blessures ou de dommages à l'appareil.

A UTILISER UNIQUEMENT SUR DES VOITURES A MASSE NEGATIVE DE 12 VOLTS.

(Vérifiez auprès de votre concessionnaire si vous n'en êtes pas certain.) Il y a risque d'incendie, etc.

AVANT TOUTE CONNEXION, DEBRANCHER LE CABLE DE LA BORNE NEGATIVE DE LA BATTERIE.

Il y a risque de choc électrique ou de blessure par courts-circuits.

NE PAS COINCER LES CABLES AVEC DES OBJETS VOISINS.

Positionner les câbles conformément au manuel de manière à éviter toute obstruction en cours de conduite. Les câbles qui obstruent ou dépassent à des endroits tels que le volant, le levier de changement de vitesses, la pédale de frein, etc., peuvent s'avérer extrêmement dangereux.

NE PAS DENUDER LES CABLES ELECTRIQUES.

Ne jamais enlever la gaine isolante pour alimenter un autre appareil. Il y a risque de dépassement de la capacité de courant et, partant, d'incendie ou de choc électrique.

NE PAS ENDOMMAGER DE CONDUITES NI DE CABLES LORS DU FORAGE DES TROUS.

Lors du forage de trous dans le châssis en vue de l'installation, veiller à ne pas entrer en contact, endommager ni obstruer de conduites, de tuyaux à carburant ou de fils électriques. Le non-respect de cette précaution peut entraîner un incendie.

NE PAS UTILISER DES ECROUS NI DES BOULONS DU CIRCUIT DE FREINAGE OU DE DIRECTION POUR LES CONNEXIONS DE MASSE.

Les boulons et les écrous utilisés pour les circuits de freinage et de direction (ou de tout autre système de sécurité) ou les réservoirs ne peuvent JAMAIS être utilisés pour l'installation ou la liaison à la masse. L'utilisation de ces organes peut désactiver le système de contrôle du véhicule et causer un incendie, etc.

NE PAS INSTALLER A DES ENDROITS SUSCEPTIBLES D'ENTRAVER LA CONDUITE DU VEHICULE, COMME LE VOLANT OU LE LEVIER DE VITESSES.

La vue vers l'avant pourrait être obstruée ou les mouvements gênés, etc., et provoquer un accident grave.

Attention

FAIRE INSTALLER LE CABLAGE ET L'APPAREIL PAR DES EXPERTS.

Le câblage et l'installation de cet appareil requiert des compétences techniques et de l'expérience. Pour garantir la sécurité, faire procéder à l'installation de cet appareil par le distributeur qui vous l'a vendu.

UTILISER LES ACCESSOIRES SPECIFIES ET LES INSTALLER CORRECTEMENT.

Utiliser uniquement les accessoires spécifiés. L'utilisation d'autres composants que les composants spécifiés peut causer des dommages internes à cet appareil ou son installation risquée de ne pas être effectuée correctement. Les pièces utilisées risquent de se desserrer et de provoquer des dommages ou une défaillance de l'appareil.

FAIRE CHEMINER LE CABLAGE DE MANIERE A NE PAS LE COINCER CONTRE UNE ARETE METALLIQUE.

Faire cheminer les câbles à l'écart des pièces mobiles (comme les rails d'un siège) et des arêtes acérées ou pointues. Cela évitera ainsi de coincer et d'endommager les câbles. Si un câble passe dans un orifice métallique, utiliser un passe-cloison en caoutchouc pour éviter que la gaine isolante du câble ne soit endommagée par le rebord métallique de l'orifice.

NE PAS INSTALLER A DES ENDROITS TRES HUMIDES OU POUSSIEREUX.

Eviter d'installer l'appareil à des endroits soumis à une forte humidité ou à de la poussière en excès. La pénétration d'humidité ou de poussière à l'intérieur de cet appareil risque de provoquer une défaillance.

Précautions

- S'assurer de déconnecter le câble du pôle (-) de la batterie avant l'installation du CDE-7859/CDE-7858/ CDE-7856. Ceci réduit les risques d'endommager l'unité en cas de court-circuit.
- S'assurer de connecter les conducteurs codés en couleur se conformant au schéma. Des connexions incorrectes peuvent occasionner le mauvais fonctionnement de l'unité ou le dégât du système électrique du véhicule.
- Lors de la connexion des câbles au système électrique du véhicule, il faut être conscient des composants installés en usine (tel qu'un ordinateur de bord). S'assurer de ne pas brancher à ces conducteurs pour fournir l'alimentation à cette unité. Lors de la connexion du CDE-7859/CDE-7858/ CDE-7856 au boîtier à fusible, s'assurer que le fusible du circuit désigné pour le CDE-7859/CDE-7858/ CDE-7856 a l'ampérage approprié. Sinon, l'unité et/ou le véhicule peuvent être endommagés. En cas de doute, consulter le revendeur ALPINE.
- Le CDE-7859/CDE-7858/CDE-7856 utilise des prises femelles de type RCA pour la connexion à d'autres unités (par exemple à un amplificateur) équipées de connecteurs RCA. Un adaptateur peut être nécessaire pour le connecter à d'autres unités. Si c'est le cas, contacter le revendeur agréé ALPINE pour obtenir de l'assistance technique.
- S'assurer de connecter les câbles d'enceinte (-) à la borne d'enceinte (-). Ne jamais connecter les câbles d'enceinte du canal gauche et droit l'un à l'autre ou à la carrosserie du véhicule.

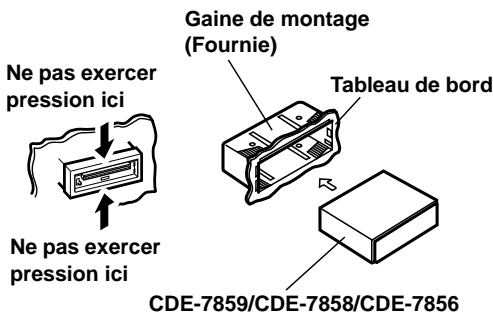
IMPORTANT

Veillez inscrire le numéro de série de votre appareil dans l'espace prévu à cet effet ci-dessous et conservez-le soigneusement. La plaquette portant le numéro de série se situe sur le dessous de l'appareil.

NUMÉRO DE SÉRIE: _____
DATE D'INSTALLATION: _____
INSTALLATEUR: _____
LIEU D'ACHAT: _____

Installation

1

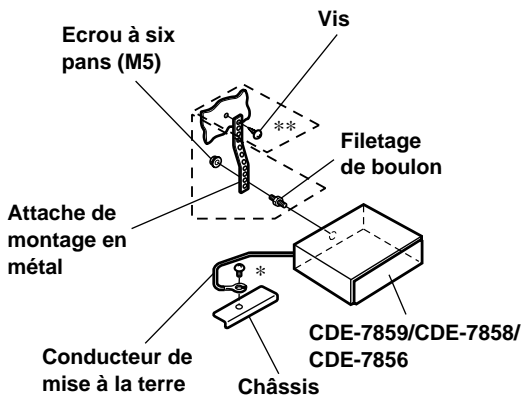


Déposer le panneau avant amovible (se reporter à la page 4). Faire glisser la gaine de montage de l'unité principale (voir "Dépose" sur cette même page). Glisser la gaine de montage dans le tableau de bord.

REMARQUE

Prière de examiner l'installation. S'assurer qu'il n'y pas de pression externe exercée sur la partie supérieure de l'unité ni sur le panneau avant détachable.

2



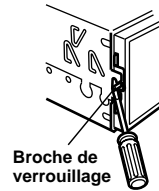
Renforcer toujours l'installation de l'appareil principal avec l'attache de montage en métal (non fournie). Fixer le conducteur de mise à la terre de l'appareil à un point métallique propre en utilisant une vis (*) déjà fixée au châssis de la voiture.

REMARQUE

En ce qui concerne la vis avec **, utilisez la vis appropriée en fonction de l'emplacement de montage choisi.

Connecter chaque conducteur d'entrée provenant d'un amplificateur ou d'un égaliseur au conducteur de sortie correspondant provenant de l'arrière gauche du CDE-7859/CDE-7858/CDE-7856. Connecter tous les autres conducteurs du CDE-7859/CDE-7858/CDE-7856 selon les détails décrits dans la section "RACCORDEMENTS".

3

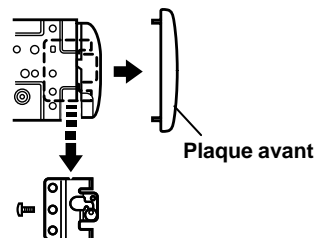


Glisser l'appareil du CDE-7859/CDE-7858/CDE-7856 dans le tableau de bord. Quand l'appareil est en place, vérifiez que les broches de verrouillage sont complètement vers le bas. Pour cela appuyer fermement sur l'appareil tout en poussant la broche de verrouillage vers le bas avec un petit tournevis. L'unité est maintenant verrouillée en place et elle ne sortira pas accidentellement du tableau de bord. Installer le panneau avant amovible.

Dépose

- 1 Déposer le panneau avant amovible.
- 2 Utiliser un petit tournevis (ou objet similaire) pour soulever les broches de verrouillage vers le haut (voir schéma ci-dessus). Chaque fois qu'une broche est débloquée, tirer légèrement sur l'appareil pour qu'il ne se rebloque pas avant de dévisser la broche suivante.
- 3 Extraire l'appareil, en le maintenant déverrouillé.

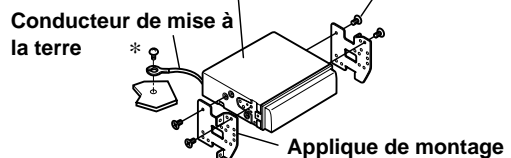
<VOITURE JAPONAISE>



CDE-7859/CDE-7858/CDE-7856

Conducteur de mise à la terre *

Vis (M5 x 8) (Fournies)

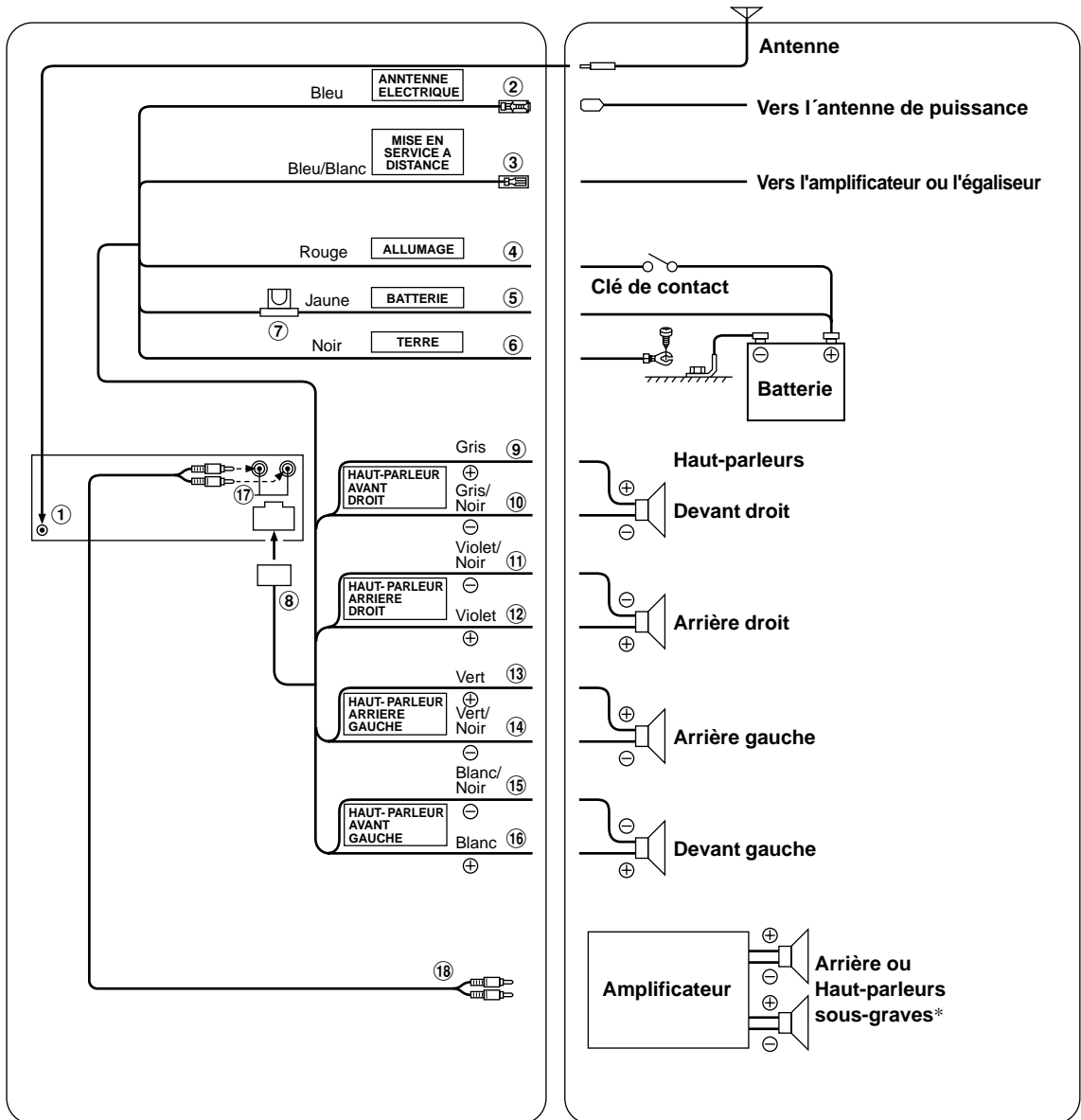


REMARQUE

Fixer le conducteur de mise à la terre de l'appareil à un point métallique propre en utilisant une vis (*) déjà fixée au châssis de la voiture.

Installation et Raccordements

Raccordements



* Si Subwoofer est réglé sur OFF: Le son est diffusé par les haut-parleurs arrière.
Si Subwoofer est réglé sur ON: Le son est diffusé par le Subwoofer.

Pour plus de détails sur le réglage de Subwoofer sur ON/OFF, voir "Mise en et hors service du subwoofer" des page 5.

- ① Réceptacle de l'antenne
- ② Fil d'antenne électrique (Bleu)
Connecter ce fil à la borne +B de l'antenne électrique, si applicable.
- ③ Fil de mise en service à distance (Bleu/Blanc)
Connecter ce fil au fil de mise en service à distance de votre amplificateur ou processeur de signal.
- ④ Fil d'alimentation commutée (Allumage) (Rouge)
Connecter ce fil à une borne ouverte sur la boîte à fusible du véhicule ou à une autre source d'énergie inutilisée qui fournit (+)12V uniquement lorsque l'allumage fonctionne ou dans la position accessoire.
- ⑤ Fil de batterie (Jaune)
Connecter ce fil à la borne positive (+) de la batterie du véhicule.
- ⑥ Fil de mise à la terre (Noir)
Connecter ce fil à une bonne masse du châssis sur le véhicule. S'assurer que la connexion est faite à un métal nu et solidement fixée en utilisant une vis de feuille métallique fournie.
- ⑦ Porte-fusible (15A)
- ⑧ Connecteur d'alimentation
- ⑨ Fil de sortie de haut-parleur avant droit (+) (Gris)
- ⑩ Fil de sortie de haut-parleur avant droit (-) (Gris/Noir)
- ⑪ Fil de sortie de haut-parleur arrière droit (-) (Violet/Noir)
- ⑫ Fil de sortie de haut-parleur arrière droit (+) (Violet)
- ⑬ Fil de sortie de haut-parleur arrière gauche (+) (Vert)
- ⑭ Fil de sortie de haut-parleur arrière gauche (-) (Vert/Noir)
- ⑮ Fil de sortie de haut-parleur avant gauche (-) (Blanc/Noir)
- ⑯ Fil de sortie de haut-parleur avant gauche (+) (Blanc)
- ⑰ Connecteurs arrière/Haut-parleurs sous-graves RCA
ROUGE est droit et BLANC est gauche.
- ⑱ Câble de rallonge RCA (vendu séparément)

Pour éviter que des bruits extérieurs interfèrent avec le système audio.

- Installez l'appareil et acheminez les câbles à au moins 10 cm de distance du faisceau de câbles de la voiture.
- Eloignez les câbles d'alimentation de la batterie le plus possible des autres câbles.
- Raccordez le fil de terre à un point métallique apparent (enlevez la couche de peinture si nécessaire) du châssis de la voiture.
- Si vous rajoutez un filtre antiparasites en option, raccordez-le le plus loin possible de l'appareil.
Contactez votre revendeur Alpine pour plus de détails sur les divers filtres antiparasites Alpine disponibles.
- Consultez votre revendeur Alpine pour plus de détails sur les mesures de prévention contre les parasites.

Índice

Manual de instrucciones

ADVERTENCIA

ADVERTENCIA	2
PRUDENCIA	2
PRECAUCIONES	2



Operación básica

Extracción del panel frontal	4
Fijación del panel frontal	4
Puesta en funcionamiento inicial del sistema	4
Conexión y desconexión de la alimentación	4
Activación y desactivación del altavoz de subgraves (CDE-7859 solamente)	5
Activación y desactivación del altavoz de subgraves (CDE-7858/CDE-7856 solamente)	5
Ajuste del volumen/los graves/los agudos/el equilibrio entre los altavoces derechos e izquierdos/el equilibrio entre los altavoces delanteros y traseros	5
Activación/desactivación del efecto de sonoridad (CDE-7856 solamente)	5
Función de silenciamiento de audio	6
Activación/desactivación del modo BBE (CDE-7859/CDE-7858 solamente)	6
Visualización de la hora	7
Ajuste de la hora	7
Cambio del patrón de visualización del nivel de audio (CDE-7859 solamente)	7
Ajuste del control de graves (CDE-7859 solamente)	8
Ajuste del control de agudos (CDE-7859 solamente)	8
Ajuste de la frecuencia de los graves (CDE-7858/CDE-7856 solamente)	8

Operación de la radio

Sintonía manual	9
Sintonía con búsqueda automática	9
Almacenamiento manual de emisoras	10
Almacenamiento automático de emisoras	10
Almacenamiento en la banda de memorización de acceso directo (D.A.P.)	11
Sintonía de emisoras memorizadas	11

Operación del reproductor de discos compactos

Inserción/expulsión de discos	12
Reproducción y pausa normales	12
Sensor de música (Salto)	12
Avance rápido o retroceso	12
Reproducción con repetición	13
M.I.X. (Reproducción aleatoria)	13
Escaneo de programas	13
Visualización y desplazamiento de texto de discos compactos (CDE-7859 solamente)	13

Información

En caso de dificultad	14
Especificaciones	15

Ubicación y Conexiones

Advertencia	16
Prudencia	16
Precauciones	16
Instalación	17
Conexiones	18

ADVERTENCIA

ADVERTENCIA

El símbolo de exclamación dentro del triángulo y "ADVERTENCIA", tienen como fin alertar al usuario de la presencia de instrucciones de operación importantes.

El hacer caso omiso de las instrucciones podría resultar en heridas graves o la muerte.

NO REALICE NINGUNA OPERACIÓN QUE PUEDA DISTRAER SU ATENCIÓN Y COMPROMETER LA SEGURIDAD DURANTE LA CONDUCCIÓN DEL VEHÍCULO.

Las operaciones que requieren su atención durante más tiempo sólo deben realizarse después de detener completamente el vehículo. Estacione el vehículo en un lugar seguro antes de realizar dichas operaciones. De lo contrario, podría ocasionar un accidente.

MANTENGA EL VOLUMEN A UN NIVEL QUE NO LE IMPIDA ESCUCHAR LOS SONIDOS DEL EXTERIOR MIENTRAS CONDUCE.

De no ser así, podría ocasionar un accidente.

REDUZCA AL MÁXIMO LA VISUALIZACIÓN DE LA PANTALLA MIENTRAS CONDUCE.

El conductor puede distraer su atención de la carretera mientras mira la pantalla y ocasionar un accidente.

NO DESMONTE NI ALTERE LA UNIDAD.

Si lo hace, podrá ocasionar un accidente, un incendio o una descarga eléctrica.

UTILICE LA UNIDAD SOLAMENTE EN VEHÍCULOS QUE TENGAN 12 VOLTIOS CON NEGATIVO A MASA.

(Consulte a su distribuidor en caso de duda.) De no ser así, podría ocasionar un incendio, etc.

MANTENGA LOS OBJETOS PEQUEÑOS, COMO LAS PILAS, FUERA DEL ALCANCE DE LOS NIÑOS.

La ingestión de estos objetos puede provocar lesiones graves. Si esto ocurre, consulte con un médico inmediatamente.

UTILICE EL AMPERAJE CORRECTO CUANDO CAMBIE FUSIBLES.

De lo contrario, puede producirse un incendio o una descarga eléctrica.

NO OBSTRUYA LOS ORIFICIOS DE VENTILACIÓN O LOS PANELES DEL RADIADOR.

Si los bloquea, el calor podría acumularse en el interior y producir un incendio.

UTILICE ESTE PRODUCTO CON APLICACIONES MÓVILES DE 12 V.

Si se emplea para otra aplicación distinta de la prevista, podría producirse un incendio, una descarga eléctrica u otras lesiones.

NO INTRODUZCA LAS MANOS, LOS DEDOS NI OTROS OBJETOS EXTRAÑOS EN LAS RANURAS DE INSERCIÓN O EN LAS ABERTURAS.

Si lo hiciera, podría sufrir heridas u ocasionar daños al equipo.

PRUDENCIA

El símbolo de exclamación dentro del triángulo y "PRUDENCIA", tienen como fin alertar al usuario de la presencia de instrucciones de operación importantes. El hacer caso omiso de las instrucciones podría ocasionar heridas o daños materiales.

DEJE DE USAR LA UNIDAD INMEDIATAMENTE SI APARECE ALGÚN PROBLEMA.

Su uso en estas condiciones podría ocasionar lesiones personales o daños al producto. Lleve la unidad a un distribuidor Alpine autorizado o al Centro de servicio Alpine más próximo para repararla.

PRECAUCIONES

Temperatura

Cerciórese de que la temperatura del interior de vehículo esté entre +60°C (+140°F) y -10°C (+14°F) antes de conectar la alimentación de la unidad.

Condensación de humedad

Usted puede oír fluctuaciones en el sonido de reproducción de un disco compacto debido a la condensación de humedad. Cuando suceda esto, extraiga el disco del reproductor y espere aproximadamente una hora hasta que se evapore la humedad.

Disco dañado

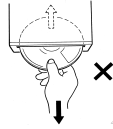
No intente reproducir discos rayados, alabeados, o dañados. La reproducción de un disco en malas condiciones podría dañar el mecanismo de reproducción.

Mantenimiento

Si tiene problemas, no intente reparar la unidad por sí mismo. Devuélvala a su proveedor Alpine o a la estación de servicio Alpine para que se la reparen.

No intente realizar nunca lo siguiente

No tome ni tire del disco mientras esté insertándose en el reproductor mediante el mecanismo de carga automática. No intente insertar un disco en el reproductor mientras la alimentación del mismo esté desconectada.

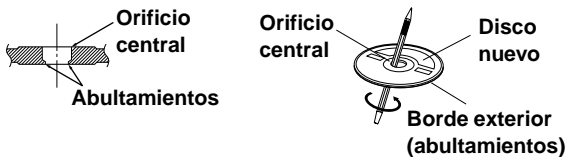


Inserción de los discos

Su reproductor solamente aceptará un disco cada vez para reproducción. No intente cargar más de un disco. Cerciórese de que la cara de la etiqueta esté hacia arriba cuando inserte el disco. Su reproductor expulsará automáticamente cualquier disco incorrectamente insertado. Si el reproductor continúa expulsando un disco correctamente insertado, presione el interruptor de reinicialización (situado detrás del panel frontal desmontable) con un objeto puntiagudo, como un bolígrafo. La reproducción de un disco al conducir por una carretera muy accidentada puede resultar en salto del sonido, pero el disco no se rayará ni se dañará el reproductor.

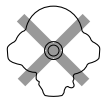
Discos nuevos

Como medida de protección, el reproductor de discos compactos expulsará automáticamente los discos cuando hayan sido incorrectamente insertados o tengan superficies irregulares. Cuando inserte un disco nuevo en el reproductor y salga expulsado, utilice un dedo para comprobar los bordes del orificio central y de la periferia. Si nota abultamientos o irregularidades, es posible que el disco no pueda cargarse apropiadamente. Para eliminar los abultamientos, frote el borde interior del orificio central y de la periferia con un bolígrafo u otro objeto similar, y después inserte de nuevo el disco.



Discos de forma irregular

Asegúrese de utilizar solamente discos de forma redonda en esta unidad y nunca utilice ningún otro disco de forma especial. El uso de discos de forma especial podrá causar daños al mecanismo.



Ubicación de instalación

Cerciórese de no instalar el CDE-7859/CDE-7858/CDE-7856 en un lugar sometido a:

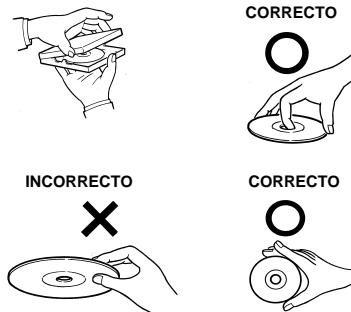
- La luz solar directa ni el calor
- Gran humedad y agua
- Polvo excesivo
- Vibraciones excesivas

Manejo del panel frontal desmontable

- No lo exponga a la lluvia ni al agua.
- No lo deje caer ni lo golpee.

Manejo correcto

No deje caer los discos mientras los maneje. Sujete los discos de forma que no queden huellas dactilares en su superficie. No pegue cintas, papeles, ni etiquetas engomadas en los discos. No escriba sobre los discos.



Limpieza de los discos

Las huellas dactilares, el polvo, o la suciedad de la superficie de los discos podría hacer que el reproductor saltase sus pistas. Para la limpieza rutinaria, frote la superficie de reproducción con un paño suave y limpio del centro hacia los bordes. Si la superficie está muy manchada, humedezca un paño suave y limpio en una solución de detergente neutro y frote el disco.



Accesorios para discos

Existen varios accesorios disponibles en el mercado para proteger la superficie de los discos y mejorar la calidad acústica. Sin embargo, la mayoría de ellos influirá en el grosor y/o el diámetro de dichos discos. La utilización de tales accesorios podría cambiar las especificaciones estándar de los discos y provocar problemas operacionales. No se recomienda utilizar estos accesorios con discos reproducidos en reproductores de discos compactos Alpine.

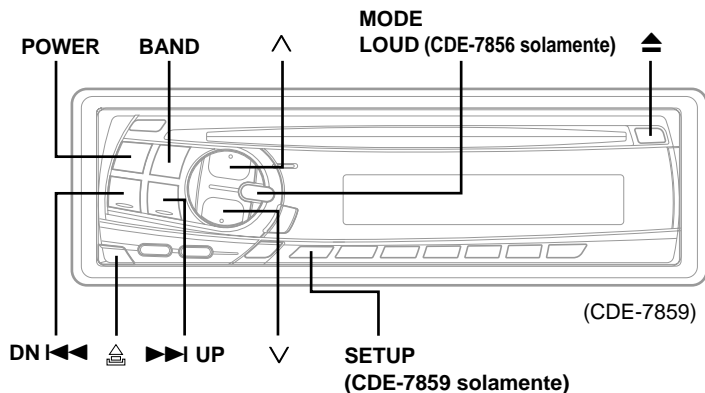


Hoja transparente



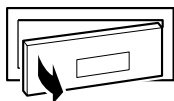
Estabilizador del disco

Operación básica



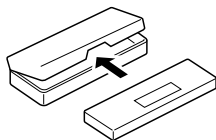
Extracción del panel frontal

- 1 Presione el botón **POWER** (alimentación) durante más de 3 segundos para desactivar la alimentación.
- 2 Presione el botón de (liberación) situado en la esquina inferior izquierda hasta que el panel frontal salga hacia fuera.
- 3 Sujete la parte izquierda del panel frontal y tire de él hacia afuera.



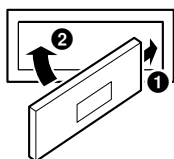
NOTAS

- El panel frontal podrá calentarse durante la operación normal (especialmente los terminales del conector), esto no se deberá a un mal funcionamiento.
- Para proteger el panel frontal, métalo en la caja de transporte suministrada.



Fijación del panel frontal

- 1 En primer lugar, inserte la parte derecha del panel frontal en la unidad principal. Alinee los 2 pequeños orificios del panel frontal con los 2 salientes de la unidad principal.
- 2 Empuje la parte izquierda del panel frontal hasta que se bloquee firmemente en la unidad principal.

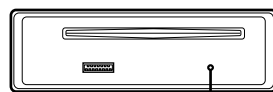


NOTA

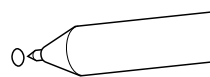
Antes de fijar el panel frontal, cerciórese de que no haya suciedad ni polvo en los terminales del conector, y de que no existan objetos extraños entre el panel frontal y la unidad principal.

Puesta en funcionamiento inicial del sistema

En cuanto se instale o conecte la alimentación de la unidad, ésta deberá inicializarse. Para ello, primero retire el panel frontal desmontable. Por detrás del panel frontal, a la derecha del conector, hay un agujero pequeño. Con la punta de un bolígrafo u otro objeto puntiagudo similar, presione el interruptor de reinicialización rojo del agujero para realizar la inicialización.



Interruptor de reinicialización



Conexión y desconexión de la alimentación

- 1 Para conectar la alimentación de la unidad presione el botón **POWER** (alimentación).

NOTA

Es posible encender la unidad presionando cualquier otro botón, excepto el de expulsión ▲.

El nivel del volumen aumentará gradualmente hasta el existente antes de haber desconectado la alimentación de la unidad. Para desconectar la alimentación de la unidad presione el botón **POWER** durante más de 3 segundos.

NOTA

Al activar la alimentación por primera vez, el volumen se iniciará a partir del nivel 12, la función BBE se activará en el modo de sintonizador* y la función LOUD se activará**. * CDE-7859/CDE-7858 solamente. ** CDE-7856 solamente.

Activación y desactivación del altavoz de subgraves (CDE-7859 solamente)

- 1 Mantenga presionado el botón **SETUP** durante 3 segundos por lo menos.
- 2 Presione el botón **I◀◀ DN** o **▶▶ UP** para seleccionar el modo Sub-w.
- 3 Presione el botón **BAND** para seleccionar Subwoofer ON u OFF.
- 4 Una vez finalizado el ajuste, presione el botón **SETUP** para volver al modo normal.

NOTAS

- El modo inicial es "Subwoofer ON" (activado).
- Déjelo en "Subwoofer OFF" a menos que esté utilizando el altavoz de subgraves.
- Cuando el altavoz de subgraves esté activado, podrá ajustar el nivel de salida de subgraves. Para más detalles, consulte la sección "Ajuste del volumen/el equilibrio entre los altavoces derechos e izquierdos/equilibrio entre los altavoces delanteros y traseros".

Activación y desactivación del altavoz de subgraves (CDE-7858/CDE-7856 solamente)

- 1 Mantenga presionado el botón de **▲** (expulsión) durante 3 segundos por lo menos. Cada vez que lo presione, el altavoz de subgraves cambiará entre activado y desactivado.

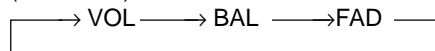
NOTAS

- El modo inicial es "Subwoofer OFF" (desactivado).
- Déjelo en "Subwoofer OFF" a menos que esté utilizando el altavoz de subgraves.
- Cuando el altavoz de subgraves esté activado (ON), podrá ajustar el nivel de salida de subgraves. Para más detalles, consulte la sección "Ajuste del volumen/los graves/los agudos/el equilibrio entre los altavoces derechos e izquierdos/equilibrio entre los altavoces delanteros y traseros".

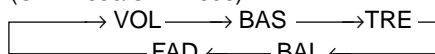
Ajuste del volumen/los graves/los agudos/el equilibrio entre los altavoces derechos e izquierdos/el equilibrio entre los altavoces delanteros y traseros

- 1 Presione repetidamente el botón **MODE** para elegir el modo deseado. Cada vez que presione los modos cambiarán como sigue:

(CDE-7859)



(CDE-7858/CDE-7856)



NOTAS

- Si no presiona el botón **∨** o **∧** antes de 5 segundos después de seleccionar el modo **BASS**, **TREBLE**, **BALANCE** o **FADER**, la unidad volverá automáticamente al modo **VOLUME**.
 - Cuando altavoz de subgraves esté activado (ON), podrá ajustar el nivel del altavoz de subgraves.
- 2 Presione el botón **∨** y **∧** hasta obtener el sonido deseado en cada modo.

NOTA

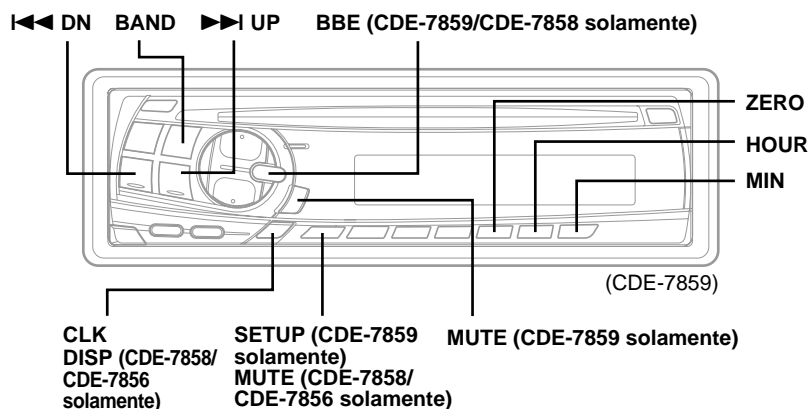
Los ajustes de los graves y los agudos se memorizarán individualmente para cada fuente (FM, AM, y disco compacto) hasta que los cambie. Dependiendo de los dispositivos conectados, algunas funciones e indicaciones del visualizador no trabajarán.

Activación/desactivación del efecto de sonoridad (CDE-7856 solamente)

La función de sonoridad introduce una acentuación especial en las gamas de bajas y altas frecuencias a niveles bajos de escucha para compensar la reducción de sensibilidad del oído humano al sonido de graves agudos.

- 1 Presione el botón **LOUD** y manténgalo presionado durante 2 segundos por lo menos para activar o desactivar el modo de sonoridad. Cuando active el modo de sonoridad, el visualizador mostrará "LOUD".

Operación básica



Función de silenciamiento de audio

Si activa esta función el nivel de sonido se reducirá instantáneamente en 20 dB.

- 1 Presione el botón **MUTE** para activar el modo MUTE. El nivel de audio se reducirá en unos 20 dB. Cuando vuelva a presionar el botón **MUTE** el nivel de audio volverá al mismo nivel anterior.

Activación/desactivación del modo BBE (CDE-7859/CDE-7858 solamente)

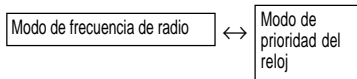
El procesador BBE (Barcus Berry Electronics) instalado en esta unidad ha sido concebido para corregir la distorsión de fase natural en la mayoría de los modelos de altavoz. Asegurando la integridad de fase de la señal que comanda los altavoces, mejora la reproducción precisa del sonido.

- 1 Presione y mantenga presionado el botón **BBE** durante al menos 2 segundos para activar el modo BBE. Cada vez que lo presione, el modo BBE se activará y se desactivará.

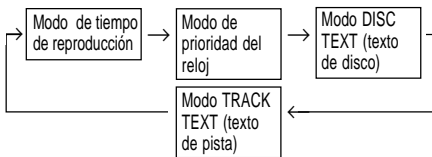
Visualización de la hora

- 1 Presione repetidamente el botón **CLK** (CDE-7859 solamente) o **DISP** (CDE-7858/CDE-7856 solamente) hasta que se visualice la hora. Cada vez que lo presione los modos cambiarán de la siguiente forma:

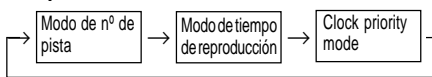
Modo de radio



CDE-7859: Modo de reproductor de discos compactos



CDE-7858/CDE-7856: Modo de reproductor de discos compactos



NOTA

Si selecciona cualquier función del sintonizador o del disco compacto durante el modo de reloj, la visualización de la hora se interrumpirá momentáneamente.

La función seleccionada se visualizará durante unos 5 segundos antes de que vuelva a aparecer la hora del reloj.

Ajuste de la hora

- 1 Mientras se visualiza la hora del reloj, presione y mantenga presionado el botón **CLK** (reloj) durante al menos 3 segundos. La indicación de hora comenzará a parpadear.
- 2 Mientras la indicación de la hora esté parpadeando, presione el botón **ZERO** para ajustar los segundos a "0".
- 3 Mientras la indicación de la hora esté parpadeando, presione el botón **HOURL** para ajustar la hora.
- 4 Mientras la indicación de la hora esté parpadeando, presione el botón **MIN** para ajustar los minutos. La indicación de la hora dejará de parpadear 5 segundos después del último ajuste. La hora se establecerá automáticamente.

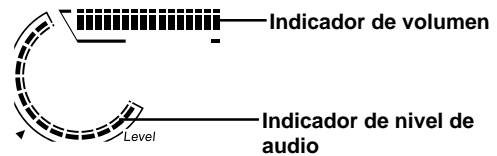
Cambio del patrón de visualización del nivel de audio (CDE-7859 solamente)

- 1 Mantenga presionado el botón **SETUP** durante 3 segundos por lo menos.
- 2 Presione el botón **I◀◀ DN** o **▶▶ I UP** para seleccionar el modo DISP.
- 3 Presione el botón **BAND** para cambiar el patrón de visualización.



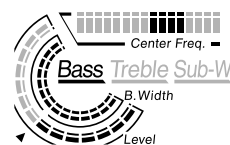
DISP1:

Ilumina los indicadores de volumen y de nivel de audio.



DISP2:

Ilumina las barras de valor y modo para mostrar los ajustes en la indicación de dispositivo de graves.



Ajustes de ejemplo:

Frecuencia central de graves: 100 Hz
Ancho de banda de los graves: WIDE1
Nivel de graves: -6

NOTA

El último modo ajustado permanecerá efectivo. Las barras de valor y modo se iluminan y muestran los ajustes de dispositivo de graves.

DISP OFF:

Desactiva la iluminación de la indicación de dispositivo de graves. Si ajusta DISP OFF, el indicador de volumen, el de nivel de audio y la indicación de dispositivo de graves no se iluminarán permanentemente.

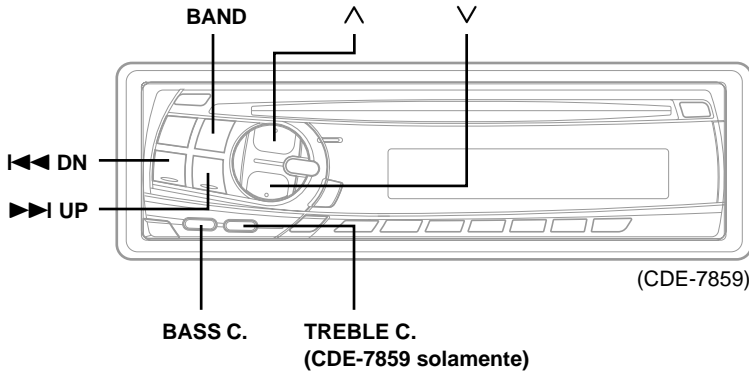
Para que se iluminen, presione el botón **BAND** para salir de DISP OFF.

NOTA

Si no presiona ningún botón en un espacio de 5 segundos, el visualizador volverá al modo normal automáticamente.

- 4 Presione el botón **SETUP** para volver al modo normal.

Operación básica



Ajuste del control de graves (CDE-7859 solamente)

Puede cambiar el énfasis de la frecuencia de graves para crear el tono que prefiera.

1 Presione el botón **BASS C.** para activar el modo de ajuste de graves.

2-1 Ajuste de la frecuencia de los graves: Presione el botón **I◀◀ DN** o **▶▶ I UP** para seleccionar la frecuencia central de los graves que desee.

60Hz ↔ 80Hz ↔ 100Hz ↔ 200Hz

Potencia los márgenes de frecuencias de graves mostradas.

2-2 Ajuste del ancho de banda de graves (Factor Q): Presione el botón **BAND** para seleccionar el ancho de banda de graves.

→ WIDE1 → WIDE2 → WIDE3 → WIDE4 →
(Anch) ← → (Estrecho)

Cambia el ancho de banda de la frecuencia mostrada a estrecho o ancho.

2-3 Ajuste del nivel de graves: Presione el botón **∨** o **∧** para seleccionar el nivel de graves deseado (-7~+7). Puede potenciar o reducir la frecuencia de los graves.

NOTA

Si no presiona ningún botón en un espacio de 5 segundos, el ajuste de control de graves se desactivará automáticamente.

Ajuste del control de agudos (CDE-7859 solamente)

Puede cambiar el énfasis de la frecuencia de agudos para crear el tono que prefiera.

1 Presione el botón **TREBLE C.** para activar el modo de ajuste de agudos.

2-1 Ajuste de la frecuencia de los agudos: Presione el botón **I◀◀ DN** o **▶▶ I UP** para seleccionar la frecuencia central de los agudos que desee.

10kHz ↔ 12.5kHz ↔ 15kHz ↔ 17.5kHz

Potencia los márgenes de frecuencias de agudos mostradas.

2-2 Ajuste del nivel de los agudos: Presione el botón **∨** o **∧** para seleccionar el nivel de agudos deseado (-7~+7). Puede potenciar la frecuencia de los agudos.

NOTA

Si no presiona ningún botón en espacio de 5 segundos, el ajuste de control de agudos se desactivará automáticamente.

Ajuste de la frecuencia de los graves (CDE-7858/CDE-7856 solamente)

La frecuencia central de los graves puede ajustarse a 60, 80, 100 ó 200 Hz.

1 Presione y mantenga presionado el botón **BASS C.** (control de graves) durante al menos 3 segundos para activar los ajustes de control de graves.

2 Presione el botón **I◀◀ DN** o **▶▶ I UP** para seleccionar la frecuencia central de graves deseada.

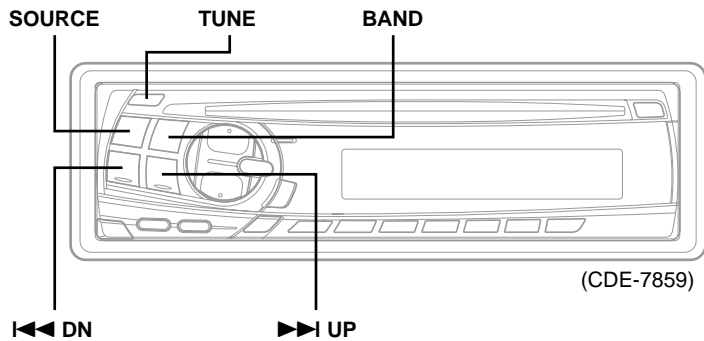
Cada vez que lo presione, la frecuencia central de los graves cambiará de la siguiente forma: 60Hz, 80Hz, 100Hz y 200Hz.

NOTA

Si no presiona ningún botón en un espacio de 5 segundos, los ajustes de control de graves se desactivarán automáticamente.

3 Presione el botón **BASS C.** durante más de 3 segundos para desactivar los ajustes de control de graves.

Operación de la radio



Sintonía manual

- 1 Presione el botón **SOURCE** hasta que en el visualizador aparezca una frecuencia de radio.
 - 2 Presione repetidamente el botón **BAND** hasta que se visualice la banda deseada. Cada vez que lo presione la banda cambiará:
→ F1(FM1) → F2(FM2) → AM
 - 3 Presione repetidamente el botón **TUNE** hasta que "DX SEEK" y "SEEK" desaparezcan del visualizador.
- 4 Presione el botón **I◀◀ DN** o **▶▶ I UP** para moverse, respectivamente, un paso hacia adelante o hacia atrás, hasta que se visualice la frecuencia de la emisora deseada.

NOTA

El modo inicial es DX SEEK.

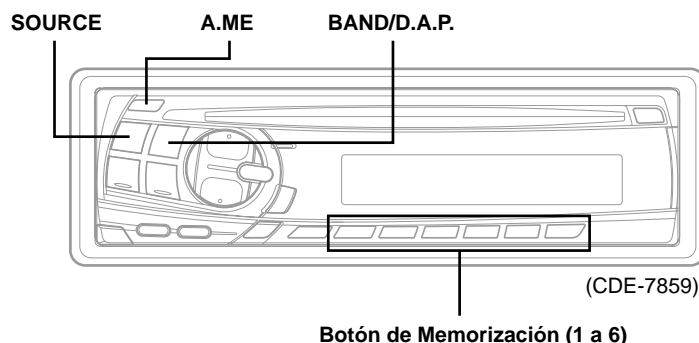
NOTA

Cuando se sintonice una emisora de FM estéreo, en el visualizador aparecerá el indicador ST.

Sintonía con búsqueda automática

- 1 Presione el botón **SOURCE** hasta que en el visualizador aparezca una frecuencia de radio.
- 2 Presione repetidamente el botón **BAND** hasta que se visualice la banda deseada. Cada vez que lo presione la banda cambiará:
→ F1(FM1) → F2(FM2) → AM
- 3 Presione el botón **TUNE** para que en el visualizador aparezcan los indicadores DX y SEEK. Como el modo DX (Distancia) activado, con la operación de búsqueda automática podrán sintonizarse emisoras de señal intensa y débil. Vuelva a presionarlo para regresar al modo local. El indicador DX desaparecerá y el indicador SEEK seguirá iluminado. Ahora solamente se sintonizarán las emisoras de señal intensa.
- 4 Presione el botón **I◀◀ DN** o **▶▶ I UP** para que la unidad busque automáticamente una emisora hacia abajo o hacia arriba respectivamente. La unidad se parará en la siguiente emisora que encuentre. Para buscar la emisora siguiente, vuelva a presionar el mismo botón.

Operación de la radio



Almacenamiento manual de emisoras

- 1** Seleccione la banda y sintonice la emisora que desee almacenar en la memoria.
- 2** Presionado el **botón de Memorización (1 a 6)** durante 2 segundos por lo menos hasta que en el visualizador parpadee la frecuencia de la emisora.
- 3** Presione el botón de **Memorización** en el que desee almacenar la emisora mientras esté parpadeando la indicación de la frecuencia (antes de 5 segundos). Después de haberse memorizado la emisora, la visualización dejará de parpadear. El visualizador mostrará la banda, el número de memorización con un triángulo (\triangle), y la frecuencia de la emisora almacenada.
- 4** Repita el procedimiento para almacenar hasta otras 5 emisoras de la misma banda. Para utilizar este procedimiento en otras bandas, seleccione simplemente la banda deseada y repita el procedimiento. En la memoria podrá almacenar un total de 24 emisoras (6 de cada banda, FM1, FM2, AM y D.A.P.).

NOTA

Si almacena una emisora en un número de memorización en el que ya exista una emisora, la emisora anterior será reemplazada por la nueva.

Almacenamiento automático de emisoras

- 1** Presione el botón **SOURCE** para seleccionar el modo de radio.
- 2** Presione repetidamente el botón **BAND** hasta que se visualice la banda deseada.
- 3** Mantenga presionado el botón **A. ME** durante 2 segundos por lo menos. Durante el proceso de almacenamiento automático, la frecuencia del visualizador cambiará continuamente. El sintonizador buscará y almacenará automáticamente 6 emisoras de señal intensa en la banda seleccionada. Éstas se almacenarán en las ubicaciones de memoria 1 a 6 por orden de señal más intensa. Cuando finalice el almacenamiento automático, el sintonizador volverá a la emisora almacenada en la ubicación de memorización 1.

NOTA

Si no hay emisoras almacenadas, el sintonizador volverá a la emisora original que estaba escuchando antes de haber iniciado el procedimiento de almacenamiento automático.

Almacenamiento en la banda de memorización de acceso directo (D.A.P.)

En la banda D.A.P., podrá memorizar manualmente una combinación de emisoras de cualquier banda, AM y FM (hasta 6 emisoras).

- 1** Presione y mantenga presionado el botón **D.A.P.** durante más de 2 segundos hasta que aparezca el indicador D.A.P..

Presione el botón **BAND** para seleccionar FM o AM.

La banda seleccionada se visualizará.

Para memorizar emisoras en la banda D.A.P., realice los pasos de la sección de almacenamiento Automático o manual de emisoras anterior.

NOTA

Esta función podrá utilizarse junto con memorización automática de emisoras.

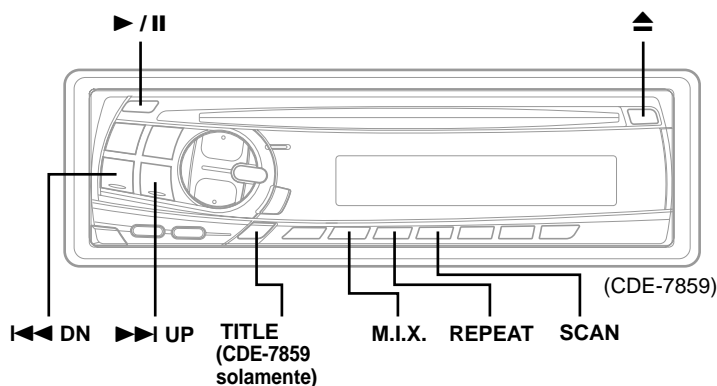
Para cancelar el modo D.A.P., presione y mantenga presionado el botón D.A.P. durante más de 2 segundos. El indicador D.A.P. se apagará.

Sintonía de emisoras memorizadas

- 1** Presione el botón **SOURCE** para seleccionar el modo de radio.
- 2** Presione repetidamente el botón **BAND** hasta que se visualice la banda deseada.

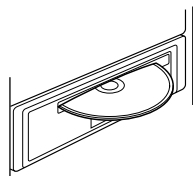
Para seleccionar la banda D.A.P., presione y mantenga presionado el botón D.A.P. durante más de 2 segundos hasta que el indicador D.A.P. aparezca en el visualizador.
- 3** Presione el botón de **Memorización** que contenga la emisora de radio deseada. El visualizador mostrará banda, el número de memorización con un triángulo, y la frecuencia de la emisora seleccionada.

Operación del reproductor de discos compactos



Inserción/expulsión de discos

- 1 Inserte un disco hasta la mitad dentro de la ranura y con la etiqueta hacia arriba. El reproductor automáticamente introducirá el disco dentro del compartimiento del disco.



Aparecerá el indicador de disco para mostrar que se ha cargado un disco.

NOTA

Es posible utilizar discos compactos de tres pulgadas (8 cm).

- 2 Presione el botón de ▲ (expulsión) cuando desee expulsar el disco.

NOTAS

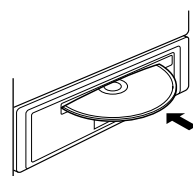
- Si no retira el disco tras unos segundos después de haber sido expulsado, el reproductor volverá a meterlo automáticamente en el compartimiento para protegerlo.
- Sólo pueden utilizarse los discos compactos que presenten las marcas mostradas a continuación. Con los modelos CDE-7858/CDE-7856, la información de texto no aparece.



- Nosotros no podemos garantizar totalmente la reproducción de CD-R (CD grabable). Usted no puede reproducir el CD-RW (CD reescribible) en esta unidad.

Reproducción y pausa normales

- 1 Inserte un disco. El reproductor comenzará a reproducir el disco por la su primera canción.



El visualizador mostrará el número de canción y el tiempo transcurrido de la canción que se reproduce (Sólo aparece el número de la pista en el CDE-7858/CDE-7856). Cuando se reproduce la última canción, el reproductor retorna a la primera canción y comienza a reproducir el disco a partir de ese punto.

Si en el reproductor de discos compactos ya hay un disco (CD), presione el botón SOURCE para seleccionar el modo de disco (CD).

- 2 Presione el botón ▶/II para iniciar la reproducción. Para reanudar la reproducción, vuelva a presionar el botón ▶/II.

Sensor de música (Salto)

- 1 Presione momentáneamente el botón ◀◀ DN una vez durante la reproducción del disco compacto para volver al principio de la canción actual. Si desea acceder al principio de una canción anterior, presione repetidamente hasta obtener la canción deseada.

Presione el botón ▶▶ UP una vez para avanzar hasta el principio de la canción siguiente. Si desea acceder al principio de una canción posterior, presione repetidamente hasta obtener la canción deseada.

NOTA

La función del sensor de música puede utilizarse en el modo de reproducción o pausa.

Avance rápido o retroceso

- 1 Mantenga presionado el botón ◀◀ DN o ▶▶ UP para retroceder o avanzar rápidamente hasta alcanzar la parte deseada de la canción.

Reproducción con repetición

- 1 Presione el botón **REPEAT** (repetición) para reproducir de forma repetida la canción que esté reproduciéndose.

El indicador RPT aparece y la pista se reproducirá de forma repetida.

Presione el botón **REPEAT** de nuevo para desactivar el modo de repetición.

M.I.X. (Reproducción aleatoria)

- 1 Presione el botón **M.I.X.** en el modo de reproducción o pausa. El indicador M.I.X. se iluminará y las canciones del disco se reproducirán en secuencia aleatoria. Cuando se hayan reproducido todas las canciones del disco una vez, el reproductor repetirá la reproducción aleatoria hasta que se cancele el modo M.I.X.

Para cancelar la reproducción M.I.X., presione el botón **M.I.X.** de nuevo.

Escaneo de programas

- 1 Presione el botón **SCAN** para activar el modo escáner. Se reproducirán los primeros 10 segundos de cada canción en sucesión.

Para detener el escáner, presione el botón **SCAN** y desactive el modo escáner.

Visualización y desplazamiento de texto de discos compactos (CDE-7859 solamente)

Mientras se reproduce el disco compacto de audio con texto, es posible visualizar y desplazar por el visualizador los nombres del disco y de las pistas.

- 1 En el modo de disco compacto, presione el botón **TITLE** varias veces para visualizar el texto del disco o de la pista.

NOTA

*Si el disco compacto no dispone de información de texto, aparecerá **NO TEXT**.*

- 2 Presione y mantenga presionado el botón **TITLE** durante al menos 3 segundos para que la información almacenada en el disco se desplace por el visualizador. Después del desplazamiento, el visualizador volverá al modo normal.

NOTA

***SCROLL:** la indicación se desplaza sólo cuando se carga un disco o al cambiar la pista, y al activarse la alimentación durante el modo de disco compacto en esta unidad.*

Información

En caso de dificultad

Cuando se presente algún problema, consulte los ítemes de la lista de comprobaciones siguiente. Esta lista le ayudará a resolver los problemas de su unidad. Si el problema persiste, compruebe si el resto de su sistema está adecuadamente conectado o consulte a un proveedor autorizado por Alpine.

Básica

La unidad no funciona ni hay visualización.

- La llave de encendido del automóvil está en OFF.
 - Si ha realizado las conexiones de acuerdo con las instrucciones, la unidad no funcionará con la llave de encendido en OFF.
- Las conexiones de los conductores de alimentación no son adecuadas.
 - Compruebe las conexiones de los conductores de alimentación.
- Fusible quemado.
 - Compruebe el fusible de cable de la unidad a la batería. Si fuera necesario cámbielo por otro del valor apropiado.
- El microordenador interno funciona mal a causa de interferencias, ruido, etc.
 - Presione el interruptor de reinicialización con un bolígrafo u otro objeto puntiagudo.

Radio

Es imposible recibir emisoras.

- La antena no está conectada o el cable está desconectado.
 - Compruebe si la antena está adecuadamente conectada y, si es necesario, reemplace la antena o el cable.

Es imposible sintonizar emisoras en el modo de búsqueda.

- Usted se encuentra en un área de recepción débil.
 - Compruebe si el sintonizador está en el modo DX.
- Si usted se encuentra en una zona de señal intensa, es posible que la antena no esté puesta a tierra o conectada adecuadamente.
 - Compruebe las conexiones de la antena, si está bien conectada a tierra, y si la ubicación de montaje es correcta.
- Es posible que la longitud de la antena no sea adecuada.
 - Compruebe si la antena está completamente desplegada. Si está rota, reemplácela por otra nueva.

La recepción es ruidosa.

- Es posible que la longitud de la antena no sea adecuada.
 - Extienda completamente la antena. Si está rota, reemplácela por otra.
- La antena está mal conectada a tierra.
 - Compruebe si la antena está bien conectada a tierra y si la ubicación de montaje es correcta.

Discos compactos

El reproducir de discos compactos no funciona.

- Se encuentra a más de +50°C (+120°F) de temperatura.
 - Deje que se enfríe la temperatura en el interior (o en el portaequipajes) del vehículo.

El sonido de reproducción de un disco compacto oscila.

- Se ha condensado humedad en el módulo de discos compactos.
 - Espere el tiempo necesario para que se evapore la humedad (aproximadamente 1 hora).

La inserción de un disco compacto es imposible.

- Ya hay un disco compacto en el reproductor.
 - Expulse el disco y retírelo.
- El disco está siendo introducido incorrectamente.
 - Compruebe que inserta el disco según las instrucciones de la sección de empleo del reproductor de discos compactos.

El disco no avanza ni retrocede.

- El disco compacto está dañado.
 - Extraiga el disco compacto y tírelo. La utilización de un disco compacto dañado en su unidad podría averiar el mecanismo.

El sonido salta debido a las vibraciones.

- Montaje inadecuado de la unidad.
 - Vuelva a montar la unidad firmemente.
 - El disco está muy sucio.
 - Limpie el disco.
 - El disco posee rayaduras.
 - Cambie el disco.
 - La lente de recogida está sucia.
 - No utilice discos limpiadores de lentes disponibles en el mercado.
- Consulte con el proveedor ALPINE más próximo.

El sonido salta sin haber vibraciones.

- El disco está sucio o rayado.
 - Limpie el disco. Los discos dañados deberán reemplazarse.

Indicaciones de error (reproductor de discos compactos incorporado solamente).

- Error mecanico
 - Presione el boton ▲. Una vez desaparezca la indicacion de error, vuelva a insertar el disco. Si el problema no desaparece mediante la solucion mencionada, consulte con el proveedor ALPINE mas proximo.

Indicaciones para los discos compactos

HI TEMP

(CDE-7859 solamente)

--- H

(CDE-7858/CDE-7856 solamente)

- Se ha activado el circuito protector debido a la alta temperatura.
 - El indicador desaparecerá cuando la temperatura vuelva a la gama de operación.

ERROR

(CDE-7859 solamente)

--- E

(CDE-7858/CDE-7856 solamente)

- Error del mecanismo.
 1. Presione el botón ▲ y expulse el disco compacto. Si el disco no es expulsado, consulte a su distribuidor Alpine.
 2. Si la indicación de error no desaparece después de expulsar el disco compacto, vuelva a pulsar el botón ▲.
Si la indicación de error no desaparece después de pulsar el botón ▲ unas cuantas veces, consulte a su distribuidor Alpine.

Nota

Cuando "ERROR" o "- - - E" está visualizado:
Si no se puede expulsar el disco presionando el botón ▲, presione el botón de reinicialización (vea la página 4) y presione el botón ▲ de nuevo.
Si el disco no es expulsado, consulte a su distribuidor Alpine.

T- - - -

(CDE-7859 solamente)

T- - -

(CDE-7858/CDE-7856 solamente)

- El disco indicado no existe.
 - Elija otro disco.

Especificaciones

SECCIÓN DEL SINTONIZADOR DE FM

Gama de sintonía	87,7 – 107,9 MHz
Sensibilidad útil en modo monoaural	9,3 dBf (0,8 µV/75 ohmios)
Sensibilidad con un silenciamiento de 50 dB	13,5 dBf (1,3 µV/75 ohmios)
Selectividad de canal alternativo	80 dB
Relación señal-ruido	65 dB
Separación estéreo	35 dB

SECCIÓN DEL SINTONIZADOR DE AM

Gama de sintonía	530 – 1.710 kHz
Sensibilidad (normas de la IEC)	22,5 µV/27 dB

SECCIÓN DEL REPRODUCTOR DE DISCOS COMPACTOS

Frecuencia de respuesta	5 - 20.000 Hz (±1 dB)
Fluctuación y trémolo medibles	Por debajo de los límites medibles
Distorsión armónica total	0,008% (a 1 kHz)
Gama dinámica	95 dB (a 1 kHz)
Relación entre señal y ruido	105 dB
Separación de canales	85 dB (a 1 kHz)

GENERALES

Alimentación	14,4 V CC (11 – 16 V margen permisible)
Salida máx. de alimentación	45 W × 4 (CDE-7859/ CDE-7858 solamente) 40 W × 4 (CDE-7856 solamente)
Tensión de salida de preamplificación máxima	2 V/10 k ohmios
Graves	±14 dB/60 Hz
Agudos	±14 dB/10 kHz
Peso	1,5 kg

TAMAÑO DEL CHASIS

An	178 mm
Al	50 mm
Prf	155 mm

TAMAÑO DE LA PIEZA FRONTAL

An	170 mm
Al	46 mm
Prf	20 mm

Debido a la mejora continua del producto, las especificaciones y el diseño están sujetos a cambio sin previo aviso.

Ubicación y Conexiones

Antes de instalar o conectar la unidad, lea atentamente lo siguiente y las páginas 2 y 3 de este manual para emplearla adecuadamente.

Advertencia

REALICE LAS CONEXIONES CORRECTAMENTE.

Una conexión incorrecta puede producir un incendio o dañar el equipo.

UTILICE LA UNIDAD SOLAMENTE EN VEHÍCULOS QUE TENGAN 12 VOLTIOS CON NEGATIVO A MASA.

(Consulte a su distribuidor en caso de duda.) De no ser así, podría ocasionar un incendio, etc.

ANTES DE EFECTUAR EL CABLEADO, DESCONECTE EL CABLE DEL TERMINAL NEGATIVO DE LA BATERÍA.

De no hacerlo así, podría ocasionar una descarga eléctrica o heridas debido a cortocircuitos eléctricos.

IMPIDA QUE LOS CABLES SE ENREDEN CON LOS OBJETOS SITUADOS ALREDEDOR.

Disponga la instalación eléctrica y los cables conforme a lo descrito en el manual para evitar obstáculos durante la conducción. Los cables que obstaculizan la conducción o que cuelgan de partes del vehículo como el volante de dirección, la palanca de cambios, los pedales de freno, etc., se consideran extremadamente peligrosos.

NO EMPALME CABLES ELÉCTRICOS.

Nunca corte el aislamiento de un cable para suministrar energía a otro equipo. Esto hace que la capacidad portadora del cable se supere y puede ser la causa de incendios o descargas eléctricas.

EVITE DAÑAR LOS TUBOS Y EL CABLEADO CUANDO TALADRE AGUJEROS.

Si taladra agujeros en el chasis durante la instalación, tome las precauciones necesarias para no rozar, dañar u obstruir los tubos, las tuberías de combustible, los depósitos o el cableado eléctrico. De lo contrario, podría provocar un incendio.

NO UTILICE TUERCAS O PERNOS EN EL SISTEMA DE FRENOS O DE DIRECCIÓN PARA REALIZAR LAS CONEXIONES A MASA.

Los pernos o tuercas empleados en los sistemas de freno o de dirección (o en cualquier otro sistema relacionado con la seguridad del vehículo), o los depósitos, NUNCA deben utilizarse para instalaciones de cableado o conexión a masa. Si utiliza tales partes podrá incapacitar el control del vehículo y provocar un incendio, etc.

NO INSTALE EL EQUIPO EN LUGARES QUE PUEDAN INTERFERIR CON LA OPERACIÓN DEL VEHÍCULO, COMO EL VOLANTE DE DIRECCIÓN O LA CAJA DE CAMBIOS DE VELOCIDAD.

Esto podría obstaculizar la visibilidad y dificultar el movimiento, etc. y provocar accidentes graves.

Prudencia

CONFÍE EL CABLEADO Y LA INSTALACIÓN A PROFESIONALES.

El cableado y la instalación de este equipo requieren una competencia y experiencia técnica confirmada. Para garantizar la seguridad, póngase siempre en contacto con el distribuidor al que ha comprado el equipo para confiarle estas tareas.

UTILICE LOS ACCESORIOS ESPECIFICADOS E INSTÁLELOS CORRECTAMENTE.

Asegúrese de utilizar los accesorios especificados solamente. La utilización de otras piezas no designadas puede ser la causa de daños en el interior de la unidad o de una instalación incorrecta. Las piezas pueden aflojarse, lo que, además de ser peligroso, puede provocar averías.

DISPONGA EL CABLEADO DE FORMA QUE LOS CABLES NO SE DOBLEN, NO SE CONTRAIGAN NI ROCEN UN BORDE METÁLICO AFILADO.

Aleje los cables y el cableado de piezas móviles (como los raíles de los asientos) o de bordes puntiagudos o afilados. De esta forma evitará dobleces y daños en el cableado. Si los cables se introducen por un orificio de metal, utilice una arandela de goma para evitar que el borde metálico del orificio corte el aislamiento del cable.

NO INSTALE LA UNIDAD EN LUGARES MUY HÚMEDOS O LLENOS DE POLVO.

Evite instalar la unidad en lugares con altos índices de humedad o polvo. Si entra polvo o humedad, el equipo puede averiarse.

Precauciones

- Asegúrese de desconectar el cable del polo (-) de la batería antes de instalar su CDE-7859/CDE-7858/CDE-7856. Esto reducirá las posibilidades de averiar la unidad en caso de cortocircuito.
- Asegúrese de conectar los conductores con clave de colores según el diagrama. Unas conexiones incorrectas pueden ocasionar un mal funcionamiento de la unidad o pueden dañar el sistema eléctrico del vehículo.
- Cuando haga las conexiones al sistema eléctrico del vehículo, tenga en cuenta los componentes que vienen instalados de fábrica (como un computador incorporado, por ejemplo). No conecte a estos conductores para proporcionar alimentación a esta unidad. Al conectar el CDE-7859/CDE-7858/CDE-7856 a la caja de fusibles, asegúrese de que el fusible designado para el circuito del CDE-7859/CDE-7858/CDE-7856 sea del amperaje adecuado. De lo contrario, la unidad y/o el vehículo podrán sufrir daños. Cuando tenga dudas, consulte a su distribuidor ALPINE.
- El CDE-7859/CDE-7858/CDE-7856 emplea conectores hembra tipo RCA para la conexión de otras unidades (ej.: amplificador) equipadas con conectores RCA. Algunas veces será necesario usar un adaptador para la conexión de otras unidades. En este caso, hágase asesorar por su distribuidor autorizado ALPINE.
- Asegúrese de conectar los cables negativos (-) de altavoces al terminal de altavoces (-). Nunca conecte los cables de altavoces de los canales derecho e izquierdo uno a otro, ni tampoco a la carrocería del vehículo.

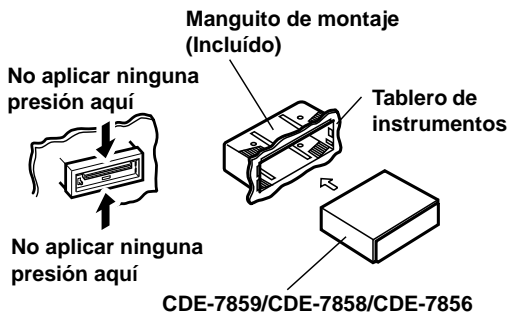
IMPORTANTE

Anote el número de serie de la unidad en el espacio proporcionado a continuación y consérvelo como registro permanente. La placa del número de serie se encuentra en la base de la unidad.

NÚMERO DE SERIE: _____
FECHA DE INSTALACIÓN: _____
INSTALADOR: _____
LUGAR DE ADQUISICIÓN: _____

Instalación

1

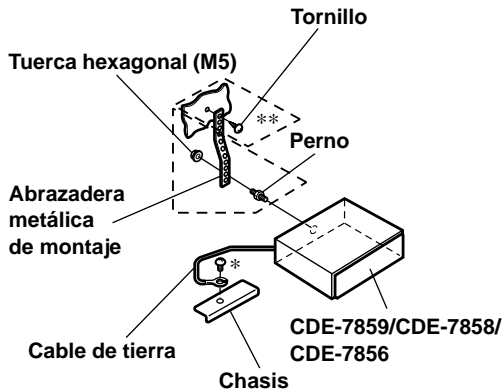


Retire el panel delantero desmontable (refiérase a la página 4). Deslice el manguito de montaje de la unidad principal (ver "Remoción" en esta página). Inserte el manguito de montaje en el tablero de instrumentos.

NOTA

Por favor examinar la instalación. Asegúrese de que no se aplique presión externa a la parte superior de la unidad ni a la pieza frontal desmontable.

2



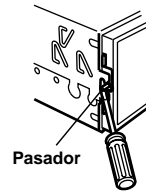
Refuerce siempre la instalación de la unidad principal con la abrazadera metálica de montaje (no suministrada). Fije el cable de tierra de la unidad a una parte metálica despejada, usando un tornillo (*) que ya está fijado en el chasis del automóvil.

NOTA

Para el tornillo marcado **, utilice un tornillo apropiado para el lugar de montaje.

Conecte cada uno de los cables de entrada provenientes de un amplificador o ecualizador a los cables de salida correspondientes provenientes de la parte trasera izquierda del CDE-7859/CDE-7858/CDE-7856. Conecte todos los demás cables del CDE-7859/CDE-7858/CDE-7856 siguiendo las instrucciones de la sección CONEXIONES.

3

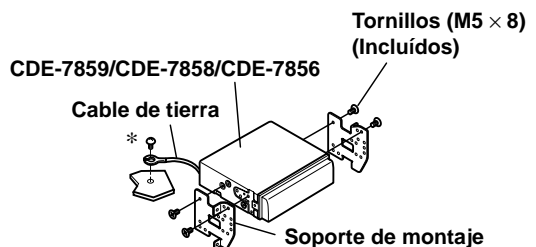
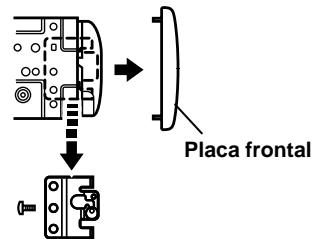


Inserte la unidad del CDE-7859/CDE-7858/CDE-7856 en el tablero de instrumentos. Cuando la unidad esté en su lugar, asegúrese de que los pasadores de bloqueo han sido bajados totalmente. Estos pueden bajarse presionando firmemente la unidad mientras se presiona el pasador de bloqueo con un destornillador pequeño. La unidad está ahora bloqueada en su lugar y no saldrá accidentalmente del tablero de instrumentos. Instale el panel delantero desmontable.

Remoción

1. Retire el panel delantero desmontable.
2. Emplee un destornillador pequeño (o un objeto similar) para empujar los pasadores de bloqueo hacia arriba (vea la figura anterior). Cuando desbloquee un pasador, tire suavemente de la unidad hacia afuera para asegurarse de que no se vuelva a bloquear antes de desbloquear el otro pasador.
3. Tire la unidad hacia fuera, manteniéndola destrabada mientras lo hace.

<VEHÍCULO JAPONÉS>

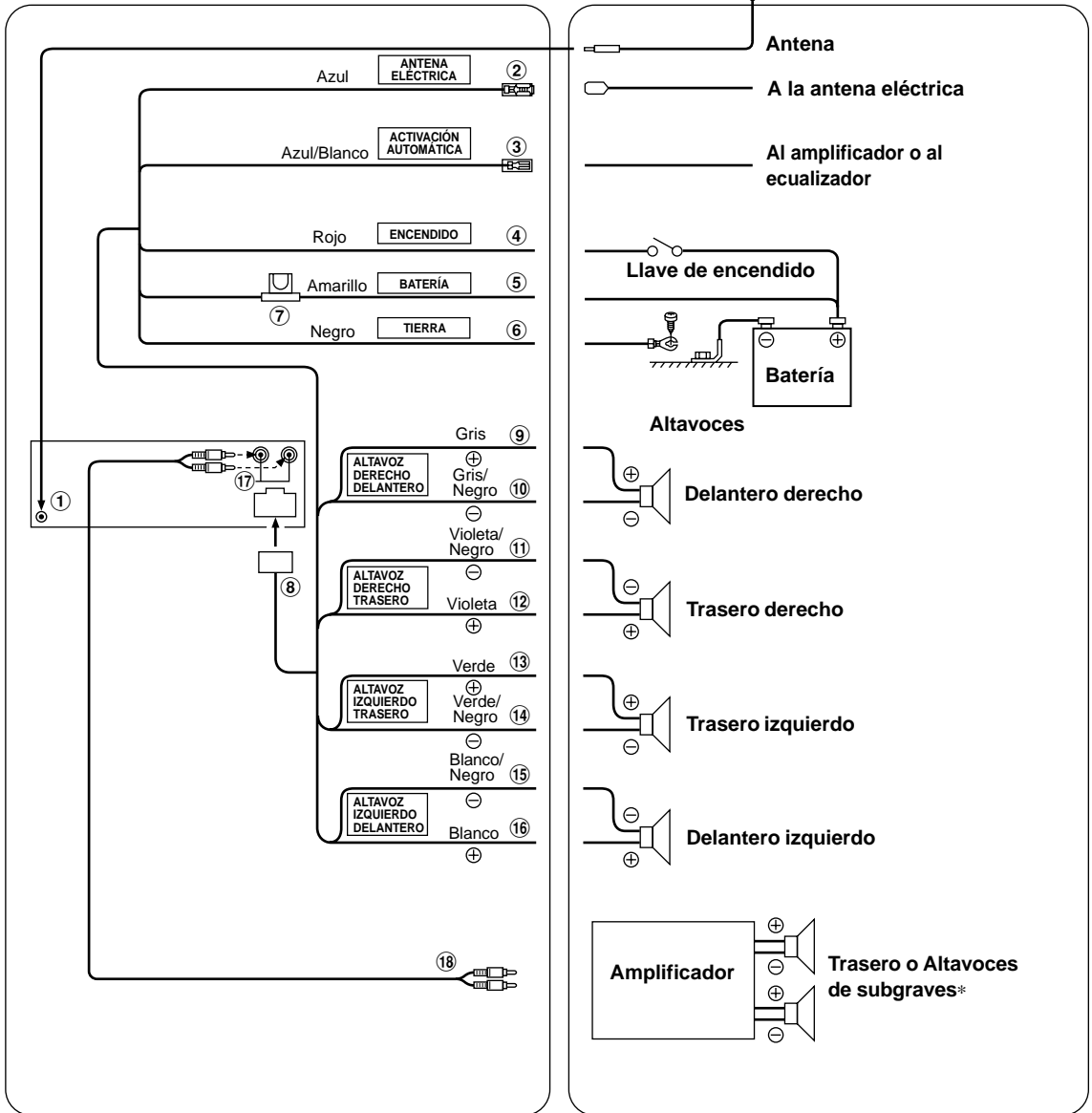


NOTA

Fije el cable de tierra de la unidad a una parte metálica despejada, usando un tornillo (*) que ya está fijado en el chasis del automóvil.

Ubicación y conexiones

Conexiones



* Con Altavoz de subgraves ajustado en OFF: La salida será de los altavoces traseros.
 Con Altavoz de subgraves ajustado en ON: La salida será del altavoz de subgraves.

Para obtener información detallada sobre cómo ajustar el Altavoz de subgraves en ON/OFF, consulte "Activación y desactivación del altavoz de subgraves" de las página 5.

- ① Receptáculo de la antena
- ② Cable para antena eléctrica (Azul)
Conecte este cable al terminal +B de su antena eléctrica, si aplicable.
- ③ Cable de activación automática (Azul/Blanco)
Conecte este cable al cable de activación automática de su amplificador o procesador de señales.
- ④ Cable de alimentación con interruptor (Encendido) (Rojo)
Conecte este cable a un terminal abierto de la caja de fusibles del automóvil, o a otra fuente de alimentación disponible que proporcione (+) 12V sólo cuando el encendido se encuentre en la posición accesoria.
- ⑤ Cable de la batería (Amarillo)
Conecte este cable al terminal positivo (+) de la batería del vehículo.
- ⑥ Cable de tierra (Negro)
Conecte este cable a una buena tierra del chasis del vehículo. Asegúrese de conectarlo a una parte metálica despejada y de fijarlo firmemente usando el tornillo para plancha metálica proporcionado.
- ⑦ Portafusibles (15A)
- ⑧ Conector de alimentación
- ⑨ Cable de salida de altavoz derecho delantero (+) (Gris)
- ⑩ Cable de salida de altavoz derecho delantero (-) (Gris/ Negro)
- ⑪ Cable de salida de altavoz derecho trasero (-) (Violeta/Negro)
- ⑫ Cable de salida de altavoz derecho trasero (+) (Violeta)
- ⑬ Cable de salida de altavoz izquierdo trasero (+) (Verde)
- ⑭ Cable de salida de altavoz izquierdo trasero (-) (Verde/Negro)
- ⑮ Cable de salida de altavoz izquierdo delantero (-) (Blanco/Negro)
- ⑯ Cable de salida del altavoz izquierdo delantero (+) (Blanco)
- ⑰ Conectores traseros/Altavoz de subgraves RCA ROJO es derecho y BLANCO izquierdo.
- ⑱ Cable de extensión RCA (vendido separadamente)

Para evitar que entre ruido externo en el sistema de audio.

- Coloque la unidad y pase los cables a 10 cm por lo menos del conjunto de cables del automóvil.
- Mantenga los conductores de la batería lo más alejados posible de otros cables.
- Conecte el conductor de puesta a masa con seguridad a un punto metálico desnudo (si es necesario, elimine el revestimiento) del chasis del automóvil.
- Si añade un supresor de ruido opcional, conéctelo lo más lejos posible de la unidad. Su proveedor Alpine dispone de varios supresores de ruido Alpine. Solicítele más información.
- Su proveedor Alpine conoce la mejor forma de evitar el ruido. Solicítele más información.

LIMITED WARRANTY

ALPINE ELECTRONICS OF AMERICA, INC. AND ALPINE OF CANADA INC. ("Alpine"), are dedicated to quality craftsmanship and are pleased to offer this Warranty. We suggest that you read it thoroughly. Should you have any questions, please contact your Dealer or Alpine at one of the telephone numbers listed below.

●PRODUCTS COVERED:

This Warranty covers Car Audio/Visual Products and Related Accessories ("the product"). Products purchased in the Canada are covered only in the Canada. Products purchased in the U.S.A. are covered only in the U.S.A.

●LENGTH OF WARRANTY:

This Warranty is in effect for one year from the date of the first consumer purchase.

●LIFETIME TAPE HEAD WARRANTY:

All Alpine Car Audio analog tape heads excluding Video tape heads are warranted for life against manufacturing defects causing failure.

●WHO IS COVERED:

This Warranty only covers the original purchaser of the product, who must reside in the United States, Puerto Rico or Canada.

●WHAT IS COVERED:

This Warranty covers defects in materials or workmanship (parts and labor) in the product.

●WHAT IS NOT COVERED:

This Warranty does not cover the following:

- ① Damage occurring during shipment of the product to Alpine for repair (claims must be presented to the carrier).
- ② Damage caused by accident, abuse, negligence, misuse, improper connections, improper operation or failure to follow instructions contained in the Owner's manual.
- ③ Damage caused by act of God, including without limitation, earthquake, fire, flood, storms or other acts of nature.
- ④ Any cost or expense related to the removal or reinstallation of the product.
- ⑤ Service performed by an unauthorized person, company or association.
- ⑥ Any product which has the serial number defaced, altered or removed.
- ⑦ Any product which has been adjusted, altered or modified without Alpine's consent.
- ⑧ Any product not distributed by Alpine within the United States, Puerto Rico or Canada.
- ⑨ Any product not purchased from an Authorized Alpine Dealer.
- ⑩ Any product that has been determined to contain an excessive amount of dust or dirt and any product that contains other contaminants including liquid or foreign objects.

●HOW TO OBTAIN WARRANTY SERVICE:

- ① You are responsible for delivery of the product to an Authorized Alpine Service Center or Alpine for repair and for payment of any initial shipping charges. Alpine will, at its option, repair or replace the product with a new or reconditioned product without charge. If the repairs are covered by the warranty, and if the product was shipped to an Authorized Alpine Service Center or Alpine, Alpine will pay the return shipping charges.

- ② You should provide a detailed description of the problem(s) for which service is required.
- ③ You must supply proof of your purchase of the product.
- ④ You must package the product securely to avoid damage during shipment.

●HOW WE LIMIT IMPLIED WARRANTIES:

ANY IMPLIED WARRANTIES INCLUDING FITNESS FOR USE AND MERCHANTABILITY ARE LIMITED IN DURATION TO THE PERIOD OF THE EXPRESS WARRANTY SET FORTH ABOVE AND NO PERSON IS AUTHORIZED TO ASSUME FOR ALPINE ANY OTHER LIABILITY IN CONNECTION WITH THE SALE OF THE PRODUCT.

●HOW WE EXCLUDE CERTAIN DAMAGES:

ALPINE EXPRESSLY DISCLAIMS LIABILITY FOR INCIDENTAL AND CONSEQUENTIAL DAMAGES CAUSED BY THE PRODUCT. THE TERM "INCIDENTAL DAMAGES" REFERS TO EXPENSES OF TRANSPORTING THE PRODUCT TO THE ALPINE SERVICE CENTER, LOSS OF THE ORIGINAL PURCHASER'S TIME, LOSS OF THE USE OF THE PRODUCT, BUS FARES, CAR RENTALS OR OTHERS COSTS RELATING TO THE CARE AND CUSTODY OF THE PRODUCT. THE TERM "CONSEQUENTIAL DAMAGES" REFERS TO THE COST OF REPAIRING OR REPLACING OTHER PROPERTY WHICH IS DAMAGED WHEN THIS PRODUCT DOES NOT WORK PROPERLY. THE REMEDIES PROVIDED UNDER THIS WARRANTY ARE EXCLUSIVE AND IN LIEU OF ALL OTHERS.

●HOW STATE/PROVINCIAL LAW RELATES TO THE WARRANTY:

This Warranty gives you specific legal rights, and you may also have other rights which vary from state to state and province to province. In addition, some states/provinces do not allow limitations on how long an implied warranty lasts, and some do not allow the exclusion or limitation of incidental or consequential damages. Accordingly, limitations as to these matters contained herein may not apply to you.

●IN CANADA ONLY:

This Warranty is not valid unless your Alpine car audio product has been installed in your vehicle by an Authorized Installation Center, and this warranty stamped upon installation by the installation center.

●HOW TO CONTACT CUSTOMER SERVICE:

Should the product require service, please call the following number for your nearest Authorized Alpine Service Center.

U.S.A.	1-800-ALPINE-1 (1-800-257-4631)
CANADA	1-800-ALPINE-1 (1-800-257-4631)

GARANTIE LIMITÉE

Fidèles à leur engagement de ne fournir que des produits de qualité, ALPINE ELECTRONIQUE DE L'AMERIQUE INC. et ALPINE ELECTRONIQUE DU CANADA INC. (Alpine) sont heureuses de vous offrir cette garantie. Nous vous suggérons de le lire attentivement et en entier. Si vous avez la moindre question, veuillez contacter l'un de nos concessionnaires ou appeler directement Alpine au numéros Liste ci-dessous.

● PRODUITS COUVERT PAR LA GARANTIE

Cette garantie couvre les produits audio/visuel de voiture et les accessoires connexes ("le produit"). Elle ne couvre les produits que dans le pays où il ont été achetés.

● DURÉE DE LA GARANTIE

Cette garantie est en vigueur pendant un an à partir de la date du premier achat du client.

● GARANTIE À VIE DES TÊTES DE LECTURE DES MAGNÉTOPHONES À CASSETTES

Toutes les têtes de cassettes analogiques audio de voiture Alpine, à l'exception des têtes de cassettes vidéo sont garanties à vie contre des vices de fabrication pouvant entraîner leur panne.

● PERSONNES PROTÉGÉES PAR LA GARANTIE

Seul l'acheteur original du produit, s'il réside aux États-Unis, à Porto Rico ou au Canada, peut se prévaloir de la garantie.

● CE QUI EST COUVERT

Cette garantie couvre tous les défauts de matériaux et de fabrication (pièces et main d'œuvre) du produit.

● CE QUI N'EST PAS COUVERT

Cette garantie ne couvre pas ce qui suit:

- ① Les dommages survenus durant le transport des produits renvoyés à Alpine pour être réparés (les réclamations doivent être adressées au transporteur);
- ② Tout dégât provoqué par accident, abus, négligence, usage inapproprié, mauvais raccordement, mauvaise utilisation ou par le non-respect des instructions indiquées dans le manuel de l'utilisateur.
- ③ Les dommages dus à la force majeure, notamment aux tremblements de terre, au feu, aux inondations, aux tempêtes ou aux autres cataclysmes naturels;
- ④ Les frais ou les dépenses relatifs à l'enlèvement ou à la réinstallation du produit;
- ⑤ Les services rendus par une personne, physique ou morale non autorisée;
- ⑥ Les produits dont le numéro de série a été effacé, modifié ou retiré;
- ⑦ Les produits qui ont été adaptés ou modifiés sans le consentement d'Alpine;
- ⑧ Les produits qui ne sont pas distribués par Alpine aux États-Unis, à Porto Rico ou au Canada;
- ⑨ Les produits qui n'ont pas été achetés par l'entremise d'un concessionnaire Alpine autorisé;
- ⑩ Tout produit qui a été déterminé comme contenant une quantité excessive de poussière ou de saleté et tout produit qui contient d'autres saleté, en ce compris du liquide et des corps étrangers.

● COMMENT SE PRÉVALOIR DE LA GARANTIE

- ① Il vous faut remettre le produit nécessitant des réparations à un centre de service autorisé Alpine ou à Alpine même et en assumer les frais de transport. Alpine a le choix entre réparer le produit ou le remplacer par un produit neuf ou révisé, le tout sans frais pour vous. Si les réparations sont couvertes par la garantie et si le produit a été envoyé à un centre de service Alpine ou à Alpine, le paiement des frais de réexpédition du produit incombe Alpine.

- ② Vous devez donner une description détaillée des problèmes qui sont à l'origine de votre demande de réparation.
- ③ Vous devez joindre la preuve de votre achat du produit.
- ④ Vous devez emballer soigneusement le produit pour éviter tout dommage durant son transport.

● LIMITATION DES GARANTIES TACITES

LA DURÉE DE TOUTES LES GARANTIES TACITES, Y COMPRIS LA GARANTIE D'ADAPTATION A L'UTILISATION ET LA GARANTIE DE QUALITÉ LOYALE ET MARCHANDE, EST LIMITÉE À CELLE DE LA GARANTIE EXPRESSE DÉTERMINÉE CI-DESSUS. PERSONNE N'EST AUTORISÉ À ENGAGER AUTREMENT LA RESPONSABILITÉ D'ALPINE EN VERTU DE LA VENTE D'UN PRODUIT.

● EXCLUSIONS DE LA GARANTIE

ALPINE STIPULE EXPRESSÉMENT QU'ELLE N'EST PAS RESPONSABLE DES DOMMAGES DOMMAGES-INTÉRÊTS ET DOMMAGES INDIRECTS PROVOQUÉS PAR LE PRODUIT. LES DOMMAGES DOMMAGES-INTÉRÊTS SONT LES FRAIS DE TRANSPORT DU PRODUIT VERS UN CENTRE DE SERVICE ALPINE, LA PERTE DE TEMPS DE L'ACHETEUR ORIGINAL, LA PERTE D'UTILISATION DU PRODUIT, LES BILLETS D'AUTOBUS, LA LOCATION DE VOITURES ET TOUS LES AUTRES FRAIS LIÉS À LA GARDE DU PRODUIT.

LES DOMMAGES INDIRECTS SONT LES FRAIS DE RÉPARATION OU DE REMPLACEMENT D'AUTRES BIENS ENDOMMAGÉS SUITE AU MAUVAIS FONCTIONNEMENT DU PRODUIT.

LES RECOURS PRÉVUS PAR LES PRÉSENTES EXCLUENT ET REMPLACENT TOUTE AUTRE FORME DE RECOURS.

● LIEN ENTRE LA GARANTIE ET LA LOI

La garantie vous donne des droits spécifiques, mais vous pouvez aussi jouir d'autres droits, qui varient d'un état ou d'une province à l'autre. En outre, certains états et certaines provinces interdisent de limiter la durée des garanties tacites ou d'exclure les dommages accessoires ou indirects. Dans ce cas, les limites et les exclusions de la garantie peuvent ne pas s'appliquer à vous.

● CLAUSE APPLICABLE AU CANADA SEULEMENT

Pour que la garantie soit valable, il faut qu'un centre d'installation autorisé ait installé le système audio pour l'auto dans votre véhicule et qu'il ait ensuite apposé son cachet sur la garantie.

● NUMÉROS D'APPEL DU SERVICE À LA CLIENTELE

Si vous avez besoin de nos services, veuillez appeler le centre de service autorisé Alpine le plus proche.

U.S.A.	1-800-ALPINE-1 (1-800-257-4631)
CANADA	1-800-ALPINE-1 (1-800-257-4631)

Free Manuals Download Website

<http://myh66.com>

<http://usermanuals.us>

<http://www.somanuals.com>

<http://www.4manuals.cc>

<http://www.manual-lib.com>

<http://www.404manual.com>

<http://www.luxmanual.com>

<http://aubethermostatmanual.com>

Golf course search by state

<http://golfingnear.com>

Email search by domain

<http://emailbydomain.com>

Auto manuals search

<http://auto.somanuals.com>

TV manuals search

<http://tv.somanuals.com>