



# CDM-7874 CDE-7872 CDE-7870

## FM/AM Compact Disc Receiver

- **OWNER'S MANUAL**  
Please read before using this equipment.
- **MODE D'EMPLOI**  
Veuillez lire avant d'utiliser cet appareil.
- **MANUAL DE OPERACIÓN**  
Léalo antes de utilizar este equipo.



**ALPINE ELECTRONICS, INC.**  
Tokyo office: 1-1-8 Nishi Gotanda,  
Shinagawa-ku,  
Tokyo 141-8501, Japan  
Tel.: (03) 3494-1101

**ALPINE ELECTRONICS OF AMERICA, INC.**  
19145 Gramercy Place, Torrance,  
California 90501, U.S.A.  
Tel.: 1-800-ALPINE-1 (1-800-257-4631)

**ALPINE ELECTRONICS OF CANADA, INC.**  
Suite 203, 7300 Warden Ave. Markham,  
Ontario L3R 9Z6, Canada  
Tel.: 1-800-ALPINE-1 (1-800-257-4631)

**ALPINE ELECTRONICS OF AUSTRALIA PTY. LTD.**  
6-8 Fiveways Boulevard Keysborough,  
Victoria 3173, Australia  
Tel.: (03) 9769-0000

**ALPINE ELECTRONICS GmbH**  
Kreuzerkamp 7-11 40878 Ratingen, Germany  
Tel.: 02102-45 50

**ALPINE ITALIA S.p.A.**  
Via C. Colombo 8, 20090 Trezzano Sul Naviglio  
MI, Italy  
Tel.: 02-48 47 81

**ALPINE ELECTRONICS FRANCE S.A.R.L.**  
(RCS PONTOISE B 338 101 280)  
98, Rue De La Belle Etoile, Z.I. Paris Nord II  
B.P. 50016 F-95945, Roissy, Charles De Gaulle  
Cedex, France  
Tel.: 01-48 63 89 89

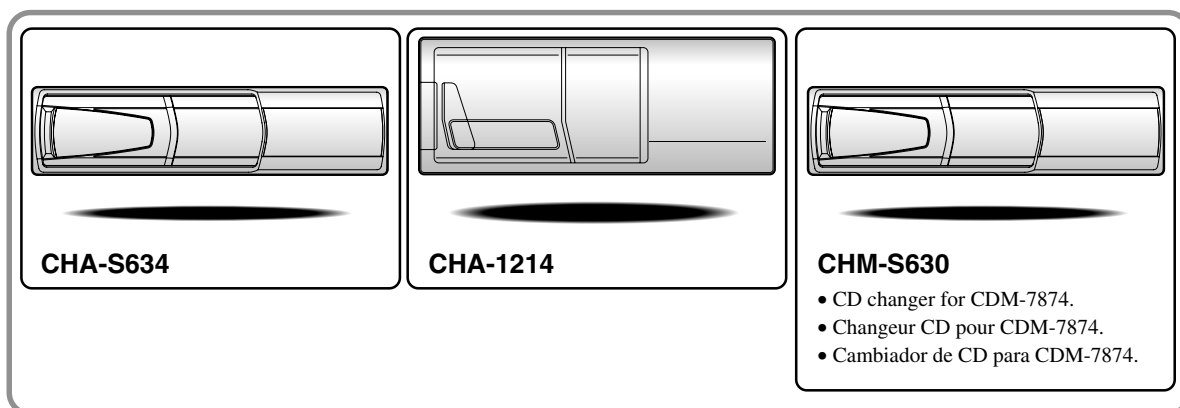
**ALPINE ELECTRONICS OF U.K., LTD.**  
13 Tanners Drive, Blakelands, Milton Keynes  
MK14 5BU, U.K.  
Tel.: 01908-61 15 56

**ALPINE ELECTRONICS DE ESPAÑA, S.A.**  
Portal De Gamarra 36, Pabellón 32  
01013 Vitoria (Alava)-Apdo. 133, Spain  
Tel.: 34-45-283588

EN

FR

ES



## Alpine CD Changers Give You More!

**More musical selections, more versatility, more convenience.**

The CHA-S634 is a high-performance 6-disc changer with a new M DAC, CD-R/RW PLAY BACK, MP3 PLAY BACK and CD TEXT. The CHA-1214 Ai-NET model holds 12 discs, and the CHM-S630 M-Bus model is a super-compact 6-disc changer with a CD-R/RW PLAY BACK.

### **NOTE**

The CHA-S634 model can be connected to the M-Bus model Head Unit using the optional M-Bus/Ai-NET compatible cable. (KCA-130B)

## Changeurs de CD Alpine : vous avez le choix!

**Plus de sélections musicales, plus de souplesse, plus de confort.**

Le modèle CHA-S634 est un changeur 6 disques ultra performant équipé des nouvelles fonctions M DAC, CD-R/RW PLAY BACK, MP3 PLAY BACK et CD TEXT. Le modèle CHA-1214 Ai-NET contient 12 disques. Le modèle CHM-S630 M-Bus est un changeur 6 disques super compact disposant de la fonction CD-R/RW PLAY BACK.

### **REMARQUE**

Le modèle CHA-S634 peut être raccordé à l'appareil principal du modèle M-Bus à l'aide du câble compatible M-Bus/Ai-NET (KCA-130B).

## ¡Los cambiadores Alpine de CD le ofrecen más!

**Más selecciones musicales, más versatilidad y más ventajas.**

CHA-S634 es un cambiador de seis discos de alto rendimiento con nuevos M DAC, CD-R/RW PLAY BACK, MP3 PLAY BACK y CD TEXT. El modelo CHA-1214 Ai-NET alberga 12 discos y el modelo CHM-S630 M-Bus es un cambiador de 6 discos de tamaño reducido con un CD-R/RW PLAY BACK.

### **NOTA**

El modelo CHA-S634 se puede conectar a la unidad principal del modelo M-Bus utilizando el cable compatible opcional M-Bus/Ai-NET. (KCA-130B)

# Contents

## Operating Instructions

### WARNING

WARNING .....	2
CAUTION .....	2
PRECAUTIONS .....	2

### Basic Operation

Detaching the Front Panel .....	4
Attaching the Front Panel .....	4
Initial System Start-Up .....	4
Turning Power On and Off .....	4
Subwoofer On and Off .....	5
Adjusting Volume/Balance (Between Left and Right)/Fader (Between Front and Rear) .....	5
Turning Loudness On/Off (CDE-7872/CDE-7870 only) .....	5
Audio Mute Function .....	5
BBE Mode On/Off (CDM-7874 only) .....	5
Setting the AUX Mode (CDM-7874 only) .....	6
Displaying Time .....	6
Setting the Bass Control .....	7
Setting the Treble Control .....	7
Setting Time .....	8
Changing Audio Level Display Pattern (CDM-7874 only) .....	8

## Radio Operation

Manual Tuning .....	9
Automatic Seek Tuning .....	9
Manual Storing of Station Presets .....	10
Automatic Memory of Station Presets .....	10
Storing into Direct Access Preset (D.A.P.) Band .....	11
Tuning to Preset Stations .....	11

## CD Player Operation

Inserting/Ejecting Disc .....	12
Normal Play and Pause .....	13
Music Sensor (Skip) .....	13
Fast Forward and Backward .....	13
Repeat Play .....	13
M.I.X. (Random Play) .....	13
Scanning Programs .....	13
Controlling CD Changer (Optional) (CDM-7874 only) .....	14

## Information

In Case of Difficulty .....	15
Specifications .....	17

## Installation and Connections

Warning .....	18
Caution .....	18
Precautions .....	18
Installation .....	19
Connections .....	20

## LIMITED WARRANTY

# **WARNING**

## **WARNING**

The exclamation point within an equilateral triangle and "WARNING" are intended to alert the user to the presence of important operating instructions. Failure to heed the instructions will result in severe injury or death.

### **DO NOT OPERATE ANY FUNCTION THAT TAKES YOUR ATTENTION AWAY FROM SAFELY DRIVING YOUR VEHICLE.**

Any function that requires your prolonged attention should only be performed after coming to a complete stop. Always stop the vehicle in a safe location before performing these functions. Failure to do so may result in an accident.

### **KEEP THE VOLUME AT A LEVEL WHERE YOU CAN STILL HEAR OUTSIDE NOISE WHILE DRIVING.**

Failure to do so may result in an accident.

### **MINIMIZE DISPLAY VIEWING WHILE DRIVING.**

Viewing the display may distract the driver from looking ahead of the vehicle and cause an accident.

### **DO NOT DISASSEMBLE OR ALTER.**

Doing so may result in an accident, fire or electric shock.

### **USE ONLY IN CARS WITH A 12 VOLT NEGATIVE GROUND.**

(Check with your dealer if you are not sure.) Failure to do so may result in fire, etc.

### **KEEP SMALL OBJECTS SUCH AS BATTERIES OUT OF THE REACH OF CHILDREN.**

Swallowing them may result in serious injury. If swallowed, consult a physician immediately.

### **USE THE CORRECT AMPERE RATING WHEN REPLACING FUSES.**

Failure to do so may result in fire or electric shock.

### **DO NOT BLOCK VENTS OR RADIATOR PANELS.**

Doing so may cause heat to build up inside and may result in fire.

### **USE THIS PRODUCT FOR MOBILE 12V APPLICATIONS.**

Use for other than its designed application may result in fire, electric shock or other injury.

### **DO NOT PLACE HANDS, FINGERS OR FOREIGN OBJECTS IN INSERTION SLOTS OR GAPS.**

Doing so may result in personal injury or damage to the product.

## **CAUTION**

The exclamation point within an equilateral triangle and "CAUTION" are intended to alert the user to the presence of important operating instructions. Failure to heed the instructions can result in injury or material damage.

### **HALT USE IMMEDIATELY IF A PROBLEM APPEARS.**

Failure to do so may cause personal injury or damage to the product. Return it to your authorized Alpine dealer or the nearest Alpine Service Center for repairing.

## **PRECAUTIONS**

### **Temperature**

Be sure the temperature inside the vehicle is between +60°C (+140°F) and -10°C (+14°F) before turning your unit on.

### **Moisture Condensation**

You may notice the CD playback sound wavering due to condensation. If this happens, remove the disc from the player and wait about an hour for the moisture to evaporate.

### **Damaged Disc**

Do not attempt to play cracked, warped, or damaged discs. Playing a bad disc could severely damage the playback mechanism.

### **Maintenance**

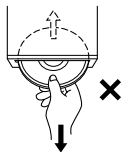
If you have problems, do not attempt to repair the unit yourself. Return it to your Alpine dealer or the nearest Alpine Service Station for servicing.

---

## Never Attempt the Following

Do not grip or pull out the disc while it is being pulled back into the player by the automatic reloading mechanism.

Do not attempt to insert a disc into the unit when the unit power is off.



---

## Inserting Discs

Your player accepts only one disc at a time for playback. Do not attempt to load more than one disc.

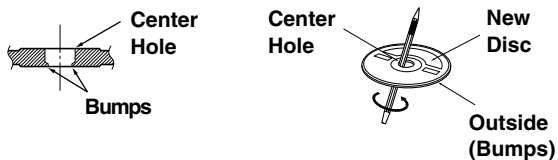
Make sure the label side is facing up when you insert the disc. Your player will automatically eject any disc that is inserted incorrectly. If the player continues to eject a correctly inserted disc, push the Reset switch (located behind the detachable front panel) with a pointed object such as a ball-point pen.

Playing a disc while driving on a very bumpy road may result in skips, but this will not scratch the disc or damage the player.

---

## New Discs

As a protective measure to prevent the CD from jamming, the CD player will automatically eject discs with irregular surfaces or inserted incorrectly. When a new disc is inserted into the player and ejected after initial loading, using your finger, feel around the inside of the center hole and outside edge of the disc. If you feel any small bumps or irregularities, this could inhibit proper loading of the disc. To remove the bumps, rub the inside edge of the hole and outside edge of the disc with a ball-point pen or other such instrument, then insert the disc again.



---

## Irregular Shaped Discs

Be sure to use round shape discs only for this unit and never use any special shape discs.

Use of special shape discs may cause damage to the mechanism.



---

## Installation Location

Make sure the CDM-7874/CDE-7872/CDE-7870 will not be installed in a location subjected to:

- Direct sun and heat
- High humidity and water
- Excessive dust
- Excessive vibrations

---

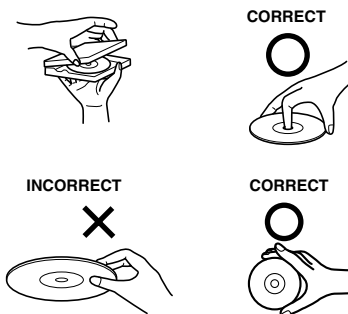
## Handling the Detachable Front Panel

- Do not expose to rain or water.
- Do not drop or apply shock.

---

## Correct Handling

Do not drop the disc while handling. Hold the disc so you will not leave fingerprints on the surface. Do not affix tape, paper, or gummed labels to the disc. Do not write on the disc.



---

## Disc Cleaning

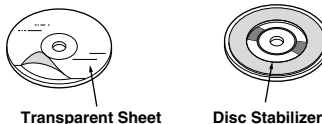
Fingerprints, dust, or soil on the surface of the disc could cause the CD player to skip. For routine cleaning, wipe the playing surface with a clean, soft cloth from the centre of the disc to the outer edge. If the surface is heavily soiled, dampen a clean, soft cloth in a solution of mild neutral detergent before cleaning the disc.



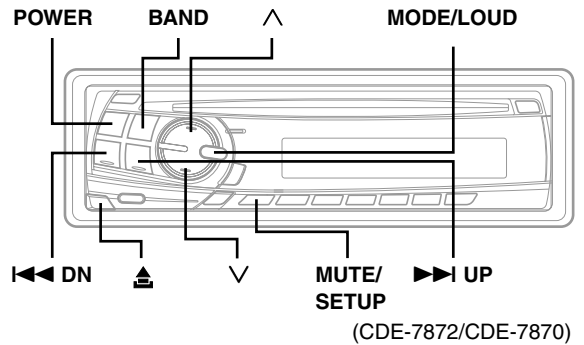
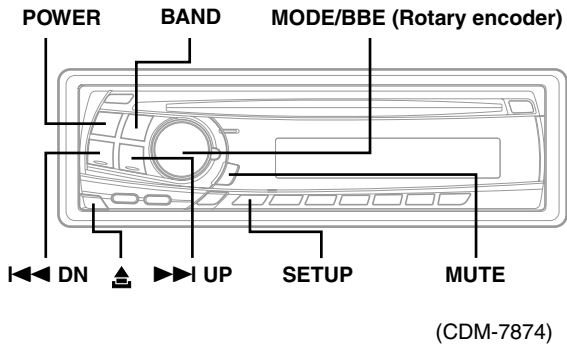
---

## Disc Accessories

There are various accessories available on the market for protecting the disc surface and improving sound quality. However, most of them will influence the thickness and/or diameter of the disc. Using such accessories can cause the disc to be out of standard specifications and may create operational problems. We recommend not using these accessories on discs played in Alpine CD players.

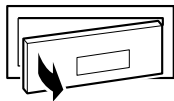


# Basic Operation



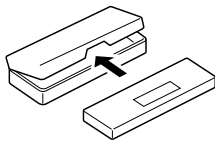
## Detaching the Front Panel

- 1 Press the **POWER** button for more than 3 seconds to turn off the power.
- 2 Press the ▲ (Release) button at lower left corner until the front panel pops out.
- 3 Grasp the left side of the front panel and pull it out.



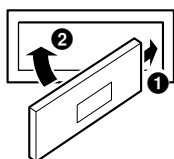
### NOTES

- The front panel may become hot in normal usage (especially the connector terminals), this is not malfunction.
- To protect the front panel, place it in the supplied carrying case.



## Attaching the Front Panel

- 1 First, insert the right side of the front panel into the main unit. Align the 2 small holes on the front panel with the 2 projections on the main unit.
- 2 Push the left side of the front panel until it locks firmly into the main unit.

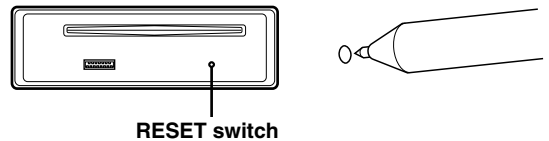


### NOTE

Before attaching the front panel, make sure that there is no dirt or dust on the connector terminals and no foreign object between the front panel and the main unit.

## Initial System Start-Up

Immediately after installing or applying power to the unit, it should be initialized. To do this, first, remove the detachable front panel. Behind the front panel, to the right of the connector, there is a small hole. Using a ball-point pen or other pointed object, press the RESET switch mounted behind this hole to complete the initialization procedure.



## Turning Power On and Off

- 1 Press the **POWER** button to turn on the unit.

### NOTE

The unit can be turned on by pressing any other button except the eject ▲ and DISP/CLK button.

The volume level gradually increases to the previous level you were listening to before the unit was turned off. Press the **POWER** button for more than 3 seconds to turn off the unit.

### NOTE

The very first time the power is turned on, the volume will start from level 12, the BBE will be on in the tuner mode\*, and the LOUD function will be on\*\*.

\* CDM-7874 only.

\*\* CDE-7872/CDE-7870 only.

## Subwoofer On and Off

- 1 Press the **SETUP** button for at least 3 seconds.
- 2 Press the **◀◀ DN** or **▶▶ UP** button to select the Sub-w mode. (CDM-7874 only)
- 3 Press the **BAND** button to select Subwoofer ON or OFF.
- 4 After setting is completed, press the **SETUP** button to return to normal mode.

### NOTES

- Initial mode is "Subwoofer ON."
- Set to "Subwoofer OFF" unless the subwoofer is used.
- When the subwoofer is turned on, the subwoofer output level can be adjusted. For more details, refer to the *Adjusting Volume/Balance/Fader*.

## Adjusting Volume/Balance (Between Left and Right)/Fader (Between Front and Rear)

- 1 Press the **MODE** button repeatedly to choose the desired mode.  
Each press changes the modes as follows:

→ Volume → Balance → Fader →

Volume : 0 ~ 35

Balance : L15 ~ R15 (CDM-7874 only)  
L+8 ~ R+8 (CDE-7872/CDE-7870 only)

Fader : R15 ~ F15 (CDM-7874 only)  
R+8 ~ F+8 (CDE-7872/CDE-7870 only)

### NOTES

- If the **∨** or **∧** button is not pressed or the Rotary encoder is not rotated within 5 seconds after selecting the **BALANCE** or **FADER** mode, the unit automatically returns to the **VOLUME** mode.
  - When the subwoofer is set to **ON**, the level of the subwoofer can be adjusted.
  - <CDE-7872/CDE-7870 only>  
Each time you press the **∨** or **∧** button twice, the level of Balance/Fader value increases or decreases by one. (the value of **MAX (+8)** is excluded)
- 2 Press the **∨** and **∧** buttons or rotate the **Rotary encoder** until the desired sound is obtained in each mode.

## Turning Loudness On/Off (CDE-7872/CDE-7870 only)

Loudness introduces a special low- and high-frequency emphasis at low listening levels. This compensates for the ear's decreased sensitivity to bass and treble sound.

- 1 Press and hold the **LOUD** button for at least 2 seconds to activate or deactivate the loudness mode.  
The display shows "LOUD" when the loudness mode is activated.

## Audio Mute Function

Activating this function will instantly lower the volume level by 20 dB.

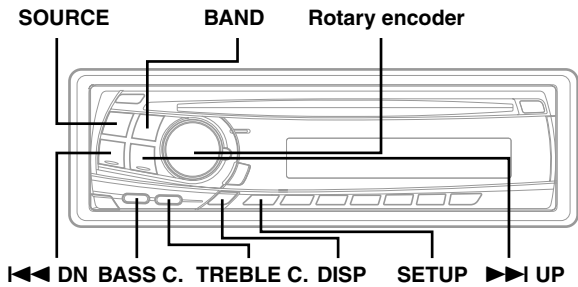
- 1 Press the **MUTE** button to activate the MUTE mode. The audio level will decrease by about 20 dB.  
Pressing the **MUTE** button again will bring the audio back to its previous level.

## BBE Mode On/Off (CDM-7874 only)

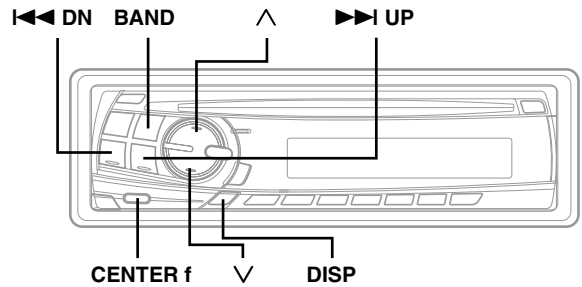
The BBE (Barcus Berry Electronics) processor installed in this unit is designed to correct the phase distortion inherent in most loudspeaker designs. Ensuring the phase integrity of the signal driving the speakers improves the accurate reproduction of the sound.

- 1 Press and hold the **BBE** button for at least 2 seconds to turn on the BBE mode.  
Each press toggles between the BBE on and off modes.

# Basic Operation



(CDM-7874)

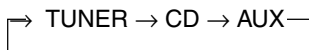


(CDE-7872/CDE-7870)

## Setting the AUX Mode (CDM-7874 only)

You can input TV/video sound by connecting an optional "M-Bus V-Link" (M-Bus/RCA interface cable KCM-122B) to this component.

- 1 Press and hold the **SETUP** button for at least 3 seconds.
- 2 Press the **I◀◀ DN** or **▶▶ I UP** button to select the AUX mode.
- 3 Press the **BAND** button to toggle the mode between AUX ON and AUX OFF.
- 4 Press the **SETUP** button to return to normal mode.
- 5 To adjust the volume, etc., first press the **SOURCE** button and select the AUX mode, then make the necessary adjustment.



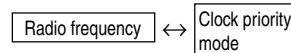
### NOTE

When AUX ON is selected, a CD Changer cannot be used.

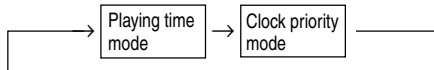
## Displaying Time

- 1 Press the **DISP** button repeatedly until the clock time is displayed. Each press changes the modes as follows:

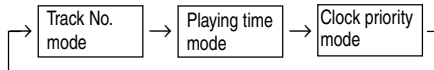
### Radio mode



### CDM-7874: CD Player and Changer modes



### CDE-7872/CDE-7870: CD Player mode



### NOTE

Selecting any tuner or CD function while in the clock priority mode will interrupt the time display momentarily. The function selected will be displayed for about 5 seconds before the time returns to the display.



## Setting the Bass Control

You can change the Bass Frequency emphasis to create your own tonal preference.

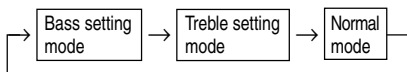
### 1 <CDM-7874 only>

Press the **BASS C.** button to turn on the Bass setting mode.

#### <CDE-7872/CDE-7870 only>

Press the **CENTER f** button to select the Bass setting mode.

Each press changes the modes as follows:



### 2-1 Setting the Bass frequency:

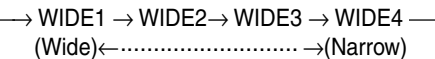
Press the **◀◀ DN** or **▶▶ UP** button to select the desired Bass center frequency.

60Hz ↔ 80Hz ↔ 100Hz ↔ 200Hz

Emphasizes the displayed Bass frequency ranges.

### 2-2 Setting the Bass Band Width (Q-Factor):

Press the **BAND** button to select the desired Bass Band Width.



Changes the displayed frequency's band width to narrow or wide.

### 2-3 Setting the Bass Level:

Press the **∨** or **∧** button or rotate the **Rotary encoder** to select the desired Bass Level (-7~+7).

You can emphasize or weaken the bass frequency.

#### NOTES

- If no buttons are pressed within 5 seconds, the Bass control setting will be turned off automatically.
- The settings of the Bass Level will be individually memorized for each source (FM, AM and CD) until the setting is changed. Once you set Bass frequency and Bass Band Width for one of sources (FM, AM and CD), this setting becomes effective for all those sources.

## Setting the Treble Control

You can change the Treble Frequency emphasis to create your own tonal preference.

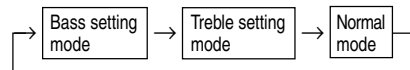
### 1 <CDM-7874 only>

Press the **TREBLE C.** button to turn on the Treble setting mode.

#### <CDE-7872/CDE-7870 only>

Press the **CENTER f** button to select the Treble setting mode.

Each press changes the modes as follows:



### 2-1 Setting Treble frequency:

Press **◀◀ DN** or **▶▶ UP** button to select the desired Treble center frequency.

10kHz ↔ 12.5kHz ↔ 15kHz ↔ 17.5kHz

Emphasizes the displayed Treble frequency ranges.

### 2-2 Setting Treble Level:

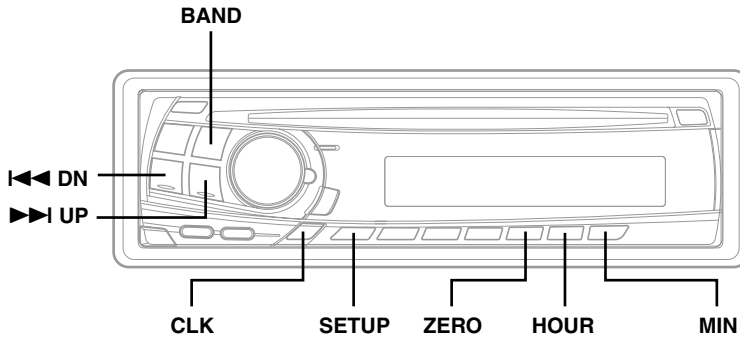
Press the **∨** or **∧** button or rotate the **Rotary encoder** to select the desired Treble Level (-7~+7).

You can emphasize the treble frequency.

#### NOTES

- If no buttons are pressed within 5 seconds, the Treble control setting will be turned off automatically.
- The settings of the Treble Level will be individually memorized for each source (FM, AM and CD) until the setting is changed. Once you set Treble frequency for one of sources (FM, AM and CD), this setting becomes effective for all those sources.

# Basic Operation



## Setting Time

- 1 While the clock time is displayed, press and hold the **CLK** (clock) button for at least 3 seconds. The time indication will begin to blink.
- 2 Press the **ZERO** button while the time indication is blinking to set seconds to "0".
- 3 Press the **HOUR** button to adjust the hours while the time indication is blinking.
- 4 Press the **MIN** button to adjust the minutes while the time indication is blinking. The time indication will stop blinking 5 seconds after the last adjustment. The time will automatically be set.

## Changing Audio Level Display Pattern (CDM-7874 only)

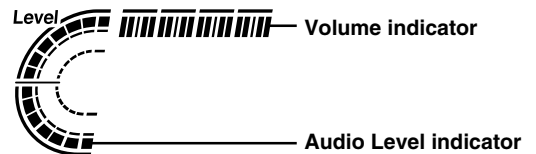
- 1 Press the **SETUP** button for at least 3 seconds.
- 2 Press **◀◀ DN** or **▶▶ UP** button to select the DISP mode.

- 3 Press **BAND** button to switch the display pattern.

→ DISP1 → DISP2 → DISP OFF →

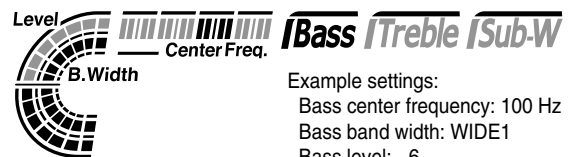
DISP1:

Lights the Volume indicator and Audio Level indicator.



DISP2:

Lights the mode and value bars to show the settings in the Bass engine display.



Example settings:

Bass center frequency: 100 Hz  
 Bass band width: WIDE1  
 Bass level: - 6

### NOTE

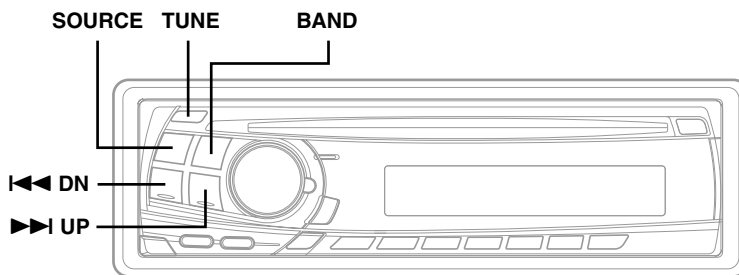
The last mode set will remain in effect. The mode and value bars light and show the Bass engine settings.

DISP OFF:

Turns off the light in Bass engine display. If you set DISP OFF, the Volume indicator, Audio Level indicator, and Bass engine displays are not lit at all times.

- 4 Press the **SETUP** button to return to normal mode.

# Radio Operation



## Manual Tuning

- 1 Press the **SOURCE** button until a radio frequency appears in the display.
  - 2 Press the **BAND** button repeatedly until the desired radio band is displayed. Each press changes the band:  
→ F1(FM1) → F2(FM2) → AM
  - 3 Press the **TUNE** button repeatedly until "DX SEEK" and "SEEK" disappear from the display.
- 4 Press the **◀◀ DN** or **▶▶ UP** button to move downward or upward one step respectively until the desired station frequency is displayed.

### NOTE

The initial mode is DX SEEK.

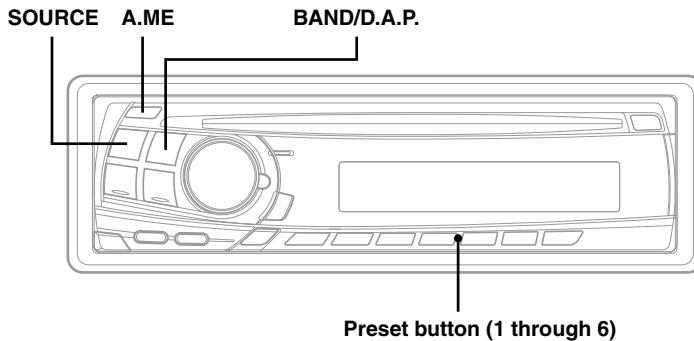
### NOTE

The ST indicator or STEREO indicator appears on the display when a Stereo FM station is tuned in.

## Automatic Seek Tuning

- 1 Press the **SOURCE** button until a radio frequency appears in the display.
- 2 Press the **BAND** button repeatedly until the desired radio band is displayed. Each press changes the band:  
→ F1(FM1) → F2(FM2) → AM
- 3 Press the **TUNE** button to illuminate the DX and SEEK indicators in the display. With the DX (Distance) mode activated, both strong and weak stations will be tuned in the Auto-Seek operation. Press again to return to the local mode. The DX indicator will turn off and the SEEK indicator will remain illuminated. Now, only strong stations will be tuned.
- 4 Press the **◀◀ DN** or **▶▶ UP** button to automatically seek for a station downward or upward respectively. The unit will stop at the next station it finds. Press the same button again to seek the next station.

# Radio Operation



## Manual Storing of Station Presets

- 1 Select the radio band and tune in a desired radio station you wish to store in the preset memory.
- 2 Press and hold the **Preset buttons (1 through 6)** that you want to store the station on for at least 2 seconds.  
The selected station is stored. The display shows the band, preset No. with a triangle ( $\triangle$ ) and station frequency memorized.
- 3 Repeat the procedure to store up to 5 other stations onto the same band.  
To use this procedure for other bands, simply select the band desired and repeat the procedure.  
A total of 24 stations can be stored in the preset memory (6 stations for each band; FM1, FM2, AM and D.A.P.).

### NOTE

*If you store a station in a preset memory which already has a station, the current station will be cleared and replaced with the new station.*

## Automatic Memory of Station Presets

- 1 Press the **SOURCE** button to select the radio mode.
- 2 Press the **BAND** button repeatedly until the desired radio band is displayed.
- 3 Press and hold the **A. ME** button for at least 2 seconds.  
The frequency on the display continues to change while the automatic memory is in progress. The tuner will automatically seek and store 6 strong stations in the selected band. They will be stored into presets 1 to 6 buttons in order of signal strength.  
When the automatic memory has been completed, the tuner goes to the station stored in the preset location No. 1.

### NOTE

*If no stations are stored, the tuner will return to the original station you were listening to before the auto memory procedure began.*

## Storing into Direct Access Preset (D.A.P.) Band

---

A combination of radio stations in any band (up to 6 stations) can be manually preset into the D.A.P. band.

- 1 Press and hold the **D.A.P.** button for more than 2 seconds until the D.A.P. indicator appears.

Press the **BAND** button to select FM or AM. The selected band will be displayed.

To memorize stations onto the D.A.P. band, follow the steps for the Automatic or Manual Storing of Station Presets section above.

### **NOTE**

*This function can be used together with the Automatic Memory Preset.*

To cancel the D.A.P. mode, press and hold the **D.A.P.** button for more than 2 seconds. The D.A.P. indicator will turn off.

## Tuning to Preset Stations

---

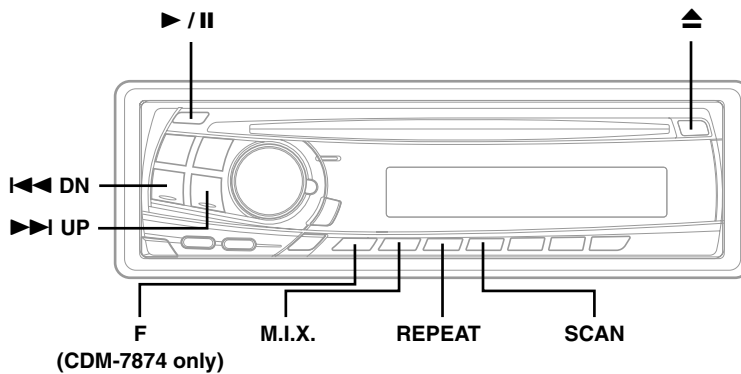
- 1 Press the **SOURCE** button to select the radio mode.

- 2 Press the **BAND** button repeatedly until the desired band is displayed.

To select the D.A.P. band, press and hold the **D.A.P.** button for more than 2 seconds until the D.A.P. indicator appears in the display.

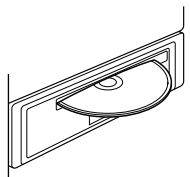
- 3 Press the station **Preset** button that has your desired radio station in memory. The display shows the band, preset number with a triangle and frequency of the station selected.

# CD Player Operation



## Inserting/Ejecting Disc

- 1 Insert a CD half way into the slot with the label side facing up. The player automatically draws the disc into the disc compartment.



The Disc indicator appears to show that a disc is loaded.

### NOTE

Three-inch (8cm) CD's can be used.

- 2 Press the ▲ (Eject) button when you want to eject the CD.

### NOTES

- If the CD is not removed for several seconds after it has been ejected, the player automatically draws the CD into the compartment to protect the CD.
- Do not insert or remove a CD forcibly when loading or ejecting a CD, as malfunction may result.

## About the usable discs.

We recommend using only compact discs containing the marks shown below.

You can play CD-Rs (CD-Recordable)/CD-RWs (CD-ReWritable) for audio use on this unit. You can not also play CD-Rs/CD-RWs containing MP3 formatted audio files.

- Some of the following CDs may not play on this unit:
  - Flawed CDs, CDs with fingerprints, CDs exposed to extreme temperatures or sunlight (e.g., left in the car or this unit), CDs recorded under unstable conditions, CDs not designed for audio use, CDs on which a recording failed a re-recording was attempted.



## On handling Compact Discs (CD/CD-R/CD-RW)

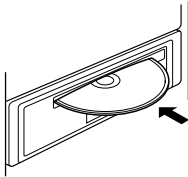
- Do not touch the surface.
- Do not expose the disc to direct sunlight.
- Do not affix stickers or labels and do not write on the surface.
- Clean the disc when it is dusty.
- Make sure that there are no bumps around the disc.
- Do not use commercially available disc accessories.

**Do not leave the disc in the car or the unit for a long time. Never expose the disc to direct sunlight.** Heat and humidity may damage the CD and you may not be able to play it again.

## Normal Play and Pause

---

- 1 Insert a CD. The CD player begins playback from the first track on the disc.



The display shows the track number and elapsed time of the track being played (Only the track number is displayed on CDE-7872/CDE-7870). When the last track is played back the player returns to the first track.

If a CD is already loaded in the CD player, press the SOURCE button to select the CD mode.

- 2 Press the ►|| button to temporarily stop CD playback.  
To resume playback, press the ►|| button again.

## Music Sensor (Skip)

---

- 1 Momentarily press the ◀◀ DN button once during CD play to return to the beginning of the current track. If you wish to access the beginning of a track further back, repeatedly press until you reach the desired track.

Press the ▶▶ UP button once to advance to the beginning of the next track. If you wish to access the beginning of a track further ahead, press repeatedly until the desired track is reached.

### NOTE

*The music sensor feature is functional in the play or pause mode.*

## Fast Forward and Backward

---

- 1 Press and hold the ◀◀ DN or ▶▶ UP button to quickly move backward or forward until you reach the desired section of the track.

## Repeat Play

---

- 1 Press the REPEAT button to play back repeatedly the track being played.  
The RPT or REPEAT indicator appears and the track will be played repeatedly.

Press the REPEAT button again and select OFF to deactivate the repeat play.

### NOTE

*If a CD Changer is connected and the RPT ALL mode is selected, the unit repeatedly plays back all tracks on the disc selected. (CDM-7874 only)*

→ RPT → RPT ALL → (OFF) →

### NOTE

*In case a 6-disc CD changer is connected (CDM-7874 only):  
In CD changer mode, press the "F" button to illuminate the "FUNC" indicator and go to step 1.*

## M.I.X. (Random Play)

---

- 1 Press the M.I.X. button in the play or pause mode.  
The M.I.X. indicator will illuminate and the tracks on the disc will be played back in a random sequence.

To cancel M.I.X. play, press the M.I.X. button again to turn off the M.I.X.

### NOTE

*In case a 6-disc CD changer is connected (CDM-7874 only):  
In CD changer mode, press the "F" button to illuminate the "FUNC" indicator and go to step 1.*

## Scanning Programs

---

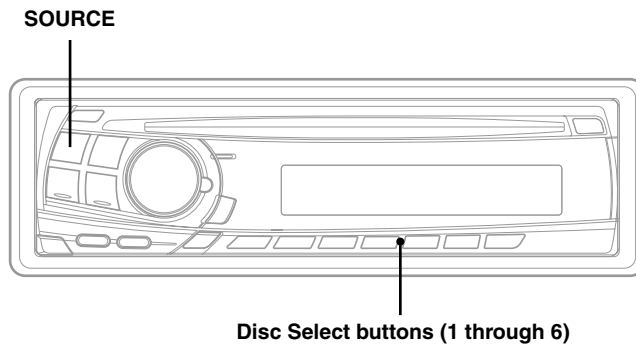
- 1 Press the SCAN button to activate the Scan mode.  
The first 10 seconds of each track will be played back in succession.

To stop scanning, press the SCAN button and deactivate the Scan mode.

### NOTE

*In case a 6-disc CD changer is connected (CDM-7874 only):  
In CD changer mode, press the "F" button to illuminate the "FUNC" indicator and go to step 1.*

# CD Player Operation



## Controlling CD Changer (Optional) (CDM-7874 only)

If an optional Alpine 6-disc CD Changer is connected to the 8-pin DIN connector (M-Bus) of the CDM-7874, you can control the CD changer using the CDM-7874.

### **NOTE**

*The CD controls on the CDM-7874 for the CD changer operation are functional only when the CD Changer is interconnected with the CDM-7874.*

- 1** Press the **SOURCE** button to activate the CHANGER mode.  
The display shows the "Changer", disc number and track number.
- 2** Press the **Disc Select buttons (1 through 6)** corresponding to one of the discs loaded in the CD Changer. The selected disc number appears in the display and CD playback starts.

### **NOTES**

- *After selecting the desired disc, you can operate in the same way as for the CDM-7874 CD player. For details, please see the CD Player Operation section.*
- *If the "FUNC" indicator is illuminated the Disc Select buttons become nonfunctional.*



# Information

## In Case of Difficulty

---

If you encounter a problem, please turn the power off, then on again. If the unit is still not functioning normally, please review the items in the following checklist. This guide will help you isolate the problem if the unit is at fault. Otherwise, make sure the rest of your system is properly connected or consult your authorized Alpine dealer.

### Basic

---

#### No function or display.

- Vehicle's ignition is off.
    - If connected following instructions, the unit will not operate with the vehicle's ignition off.
  - Improper power lead connections.
    - Check power lead connections.
  - Blown fuse.
    - Check the fuse on the battery lead of the unit; replace with the proper value if necessary.
  - Internal micro-computer malfunctioned due to interference noise etc.
    - Press the RESET switch with a ball-point pen or other pointed article.
- 

### Radio

---

#### Unable to receive stations.

- No antenna or open connection in cable.
  - Make sure the antenna is properly connected; replace the antenna or cable if necessary.

#### Unable to tune stations in the seek mode.

- You are in a weak signal area.
  - Make sure the tuner is in the DX mode.
- If the area you are in is a primary signal area, the antenna may not be grounded and connected properly.
  - Check your antenna connections; make sure the antenna is properly grounded at its mounting location.
- The antenna may not be the proper length.
  - Make sure the antenna is fully extended; if broken, replace the antenna with a new one.

#### Broadcast is noisy.

- The antenna is not the proper length.
    - Extend the antenna fully; replace it if it is broken.
  - The antenna is poorly grounded.
    - Make sure the antenna is grounded properly at its mounting location.
- 

### CD

---

#### CD Player/Changer (CDM-7874 only) not functioning.

- Out of operating temperature range +50°C (+120°F) for CD.
  - Allow the vehicle's interior (or trunk) temperature to cool.

#### CD playback sound is wavering.

- Moisture condensation in the CD Module.
  - Allow enough time for the condensation to evaporate (about 1 hour).

#### CD insertion not possible.

- A CD is already in the CD player.
  - Eject the CD and remove it.
- The CD is being improperly inserted.
  - Make sure the CD is being inserted following instructions in the CD Player Operation section.

#### Unable to fast forward or backward the CD.

- The CD has been damaged.
  - Eject the CD and discard it; using a damaged CD in your unit can cause damage to the mechanism.

#### CD playback sound skips due to vibration.

- Improper mounting of the unit.
  - Securely re-mount the unit.
- Disc is very dirty.
  - Clean the disc.
- Disc has scratches.
  - Change the disc.
- The pick-up lens is dirty.
  - Do not use a commercial available lens cleaner disc. Consult your nearest ALPINE dealer.

#### CD playback sound skips without vibration.

- Dirty or scratched disc.
  - Clean the disc; damaged disc should be replaced.

#### Error displays (built-in CD player only)

- Mechanical error
  - Press the ▲ button. After the error indication disappears, insert the disc again. If the above-mentioned solution does not solve the problem, consult your nearest ALPINE dealer.

# Information

## Indication for CD

---

**HI TEMP**

(CDM-7874 only)

**--- H**

(CDE-7872/CDE-7870 only)

- Protective circuit is activated due to high temperature.
    - The indicator will disappear when the temperature returns to within operation range.
- 

**ERROR**

(CDM-7874 only)

**--- E**

(CDE-7872/CDE-7870 only)

- Mechanism error.
  1. Press the **▲** button and eject the CD.  
If not ejecting, consult your Alpine dealer.
  2. When the error indication remains after ejecting, press the **▲** button again.  
If the error indication still does not turn off after pressing the **▲** button for a few times, consult your Alpine dealer.

### **Note**

*When the "ERROR" or "--- E" is displayed:*

*In case that the disc cannot be ejected by pressing the **▲** button, press the RESET switch (refer to page 4) and press the **▲** button again.*

*If not ejecting, consult your Alpine dealer.*

---

**NO DISC**

(CDM-7874 only)

**T ---**

(CDE-7872/CDE-7870 only)

- No CD is inserted.
    - Insert a CD.
- 

## Indication for CD Changer (CDM-7874 only)

---

**HI TEMP**

- Protective circuit is activated due to high temperature.
    - The indicator will disappear when the temperature returns to within operation range.
- 

**ERROR - 01**

- Malfunction in the CD Changer.
    - Consult your Alpine dealer. Press the magazine eject button and pull out the magazine. Check the indication. Insert the magazine again. If the magazine cannot be pulled out, consult your Alpine dealer.
  - Magazine ejection not possible.
    - Press the magazine eject button. If the magazine does not eject, consult your Alpine dealer.
- 

**NO MAGZN**

- No magazine is loaded into the CD Changer.
    - Insert a magazine.
- 

**NO DISC**

- No indicated disc.
    - Choose another disc.
-

# Specifications

---

## FM TUNER SECTION

Tuning Range	87.7 – 107.9 MHz
Mono Usable Sensitivity	9.3 dBf (0.8 $\mu$ V/75 ohms)
50 dB Quieting Sensitivity	13.5 dBf (1.3 $\mu$ V/75 ohms)
Alternate Channel Selectivity	80 dB
Signal-to-Noise Ratio	65 dB
Stereo Separation	35 dB
Capture Ratio	2.0 dB

## AM TUNER SECTION

Tuning Range	530 – 1,710 kHz
Sensitivity (IEC Standard)	22.5 $\mu$ V/27 dB

## CD PLAYER SECTION

Frequency Response	5 – 20,000 Hz ( $\pm$ 1 dB)
Wow & Flutter (% WRMS)	Bleow measurable limits
Total Harmonic Distortion	0.008% (at 1 kHz)
Dynamic Range	95 dB (at 1 kHz)
Signal-to-Noise Ratio	105 dB
Channel Separation	85 dB (at 1 kHz)

## PICKUP

Wave length	795 nm
Laser power	CLASS I

## GENERAL

Power Requirement	14.4 V DC (11–16 V allowable)
Maximum Power Output	50 W $\times$ 4 (CDM-7874/ CDE-7872 only) 45 W $\times$ 4 (CDE-7870 only)
Maximum Pre-Output Voltage	2 V/10 k ohms
Bass	$\pm$ 14 dB at 60 Hz
Treble	$\pm$ 14 dB at 10 kHz
Weight	1.5 kg (3 lbs. 5 oz)

## CHASSIS SIZE

Width	178 mm (7")
Height	50 mm (2")
Depth	155 mm (6-1/8")

## NOSEPIECE SIZE

Width	170 mm (6-3/4")
Height	46 mm (1-13/16")
Depth	20 mm (11/16")

Due to continuous product improvement, specifications and design are subject to change without notice.

# Installation and Connections

Before installing or connecting the unit, please read the following and pages 2 and 3 of this manual thoroughly for proper use.

## Warning

### **MAKE THE CORRECT CONNECTIONS.**

Failure to make the proper connections may result in fire or product damage.

### **USE ONLY IN CARS WITH A 12 VOLT NEGATIVE GROUND.**

(Check with your dealer if you are not sure.) Failure to do so may result in fire, etc.

### **BEFORE WIRING, DISCONNECT THE CABLE FROM THE NEGATIVE BATTERY TERMINAL.**

Failure to do so may result in electric shock or injury due to electrical shorts.

### **DO NOT ALLOW CABLES TO BECOME ENTANGLED IN SURROUNDING OBJECTS.**

Arrange wiring and cables in compliance with the manual to prevent obstructions when driving. Cables or wiring that obstruct or hang up on places such as the steering wheel, gear lever, brake pedals, etc. can be extremely hazardous.

### **DO NOT SPLICE INTO ELECTRICAL CABLES.**

Never cut away cable insulation to supply power to other equipment. Doing so will exceed the current carrying capacity of the wire and result in fire or electric shock.

### **DO NOT DAMAGE PIPE OR WIRING WHEN DRILLING HOLES.**

When drilling holes in the chassis for installation, take precautions so as not to contact, damage or obstruct pipes, fuel lines, tanks or electrical wiring. Failure to take such precautions may result in fire.

### **DO NOT USE BOLTS OR NUTS IN THE BRAKE OR STEERING SYSTEMS TO MAKE GROUND CONNECTIONS.**

Bolts or nuts used for the brake or steering systems (or any other safety-related system), or tanks should NEVER be used for installations or ground connections. Using such parts could disable control of the vehicle and cause fire etc.

### **DO NOT INSTALL IN LOCATIONS WHICH MIGHT HINDER VEHICLE OPERATION, SUCH AS THE STEERING WHEEL OR GEARSHIFT.**

Doing so may obstruct forward vision or hamper movement etc. and results in serious accident.

## Caution

### **HAVE THE WIRING AND INSTALLATION DONE BY EXPERTS.**

The wiring and installation of this unit requires special technical skill and experience. To ensure safety, always contact the dealer where you purchased this product to have the work done.

### **USE SPECIFIED ACCESSORY PARTS AND INSTALL THEM SECURELY.**

Be sure to use only the specified accessory parts. Use of other than designated parts may damage this unit internally or may not securely install the unit in place. This may cause parts to become loose resulting in hazards or product failure.

### **ARRANGE THE WIRING SO IT IS NOT CRIMPED OR PINCHED BY A SHARP METAL EDGE.**

Route the cables and wiring away from moving parts (like the seat rails) or sharp or pointed edges. This will prevent crimping and damage to the wiring. If wiring passes through a hole in metal, use a rubber grommet to prevent the wire's insulation from being cut by the metal edge of the hole.

### **DO NOT INSTALL IN LOCATIONS WITH HIGH MOISTURE OR DUST.**

Avoid installing the unit in locations with high incidence of moisture or dust. Moisture or dust that penetrates into this unit may result in product failure.

## Precautions

- Be sure to disconnect the cable from the (-) battery post before installing your CDM-7874/CDE-7872/CDE-7870. This will reduce any chance of damage to the unit in case of a short-circuit.
- Be sure to connect the color coded leads according to the diagram. Incorrect connections may cause the unit to malfunction or damage to the vehicle's electrical system.
- When making connections to the vehicle's electrical system, be aware of the factory installed components (e.g. on-board computer). Do not tap into these leads to provide power for this unit. When connecting the CDM-7874/CDE-7872/CDE-7870 to the fuse box, make sure the fuse for the intended circuit of the CDM-7874/CDE-7872/CDE-7870 has the appropriate amperage. Failure to do so may result in damage to the unit and/or the vehicle. When in doubt, consult your ALPINE dealer.
- The CDM-7874/CDE-7872/CDE-7870 uses female RCA-type jacks for connection to other units (e.g. amplifier) having RCA connectors. You may need an adaptor to connect other units. If so, please contact your authorized ALPINE dealer for assistance.
- Be sure to connect the speaker (-) leads to the speaker (-) terminal. Never connect left and right channel speaker cables to each other or to the vehicle body.

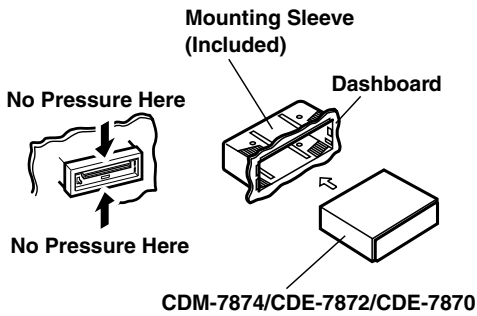
## IMPORTANT

Please record the serial number of your unit in the space provided below and keep it as a permanent record. The serial number plate is located on the bottom of the unit.

SERIAL NUMBER: \_\_\_\_\_  
INSTALLATION DATE: \_\_\_\_\_  
INSTALLATION TECHNICIAN: \_\_\_\_\_  
PLACE OF PURCHASE: \_\_\_\_\_

# Installation

1

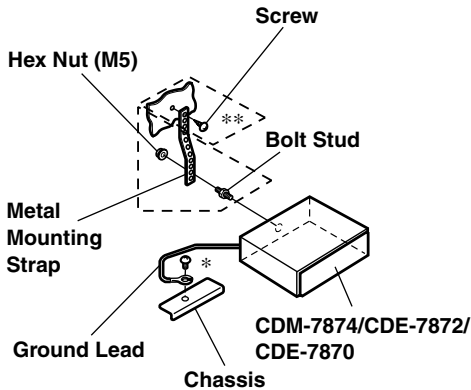


Remove the Detachable Front Panel (refer to page 4). Slide mounting sleeve from main unit. (see "Removal" on this page). Slide the mounting sleeve into the dashboard.

**NOTE**

Please examine the installation. Make certain that no external pressure is applied to either the top of the unit or the removable nosepiece.

2



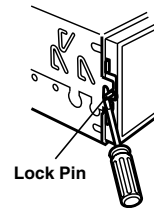
Reinforce the head unit with the metal mounting strap (not supplied). Secure the ground lead of the unit to a clean metal spot using a screw (\*) already attached to the vehicle's chassis.

**NOTE**

For the screw marked \*\*, use an appropriate screw for the chosen mounting location.

Connect each input lead coming from an amplifier or equalizer to the corresponding output lead coming from the left rear of the CDM-7874/CDE-7872/CDE-7870. Connect all other leads of the CDM-7874/CDE-7872/CDE-7870 according to details described in the CONNECTIONS section.

3

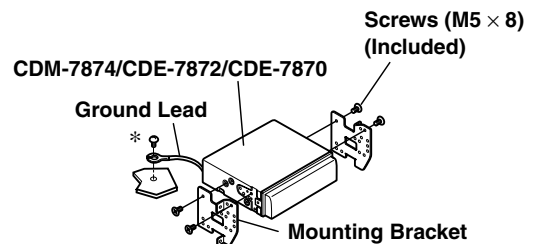
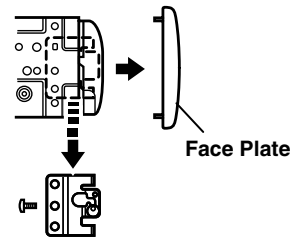


Slide the CDM-7874/CDE-7872/CDE-7870 into the dashboard. When the unit is in place, make sure the locking pins are fully seated in the down position. This can be done by pressing firmly in on the unit while pushing the locking pin down with a small screwdriver. This ensures that the unit is properly locked and will not accidentally come out from the dashboard. Install the Detachable Front Panel.

**Removal**

- 1 Remove the DETACHABLE FRONT PANEL.
- 2 Use a small screwdriver (or similar tool) to push the locking pins to the "up" position (see above drawing). As each pin is unlocked, gently pull out on the unit to make sure it does not re-lock before unlocking the second pin.
- 3 Pull the unit out, keeping it unlocked as you do so.

<JAPANESE CAR>

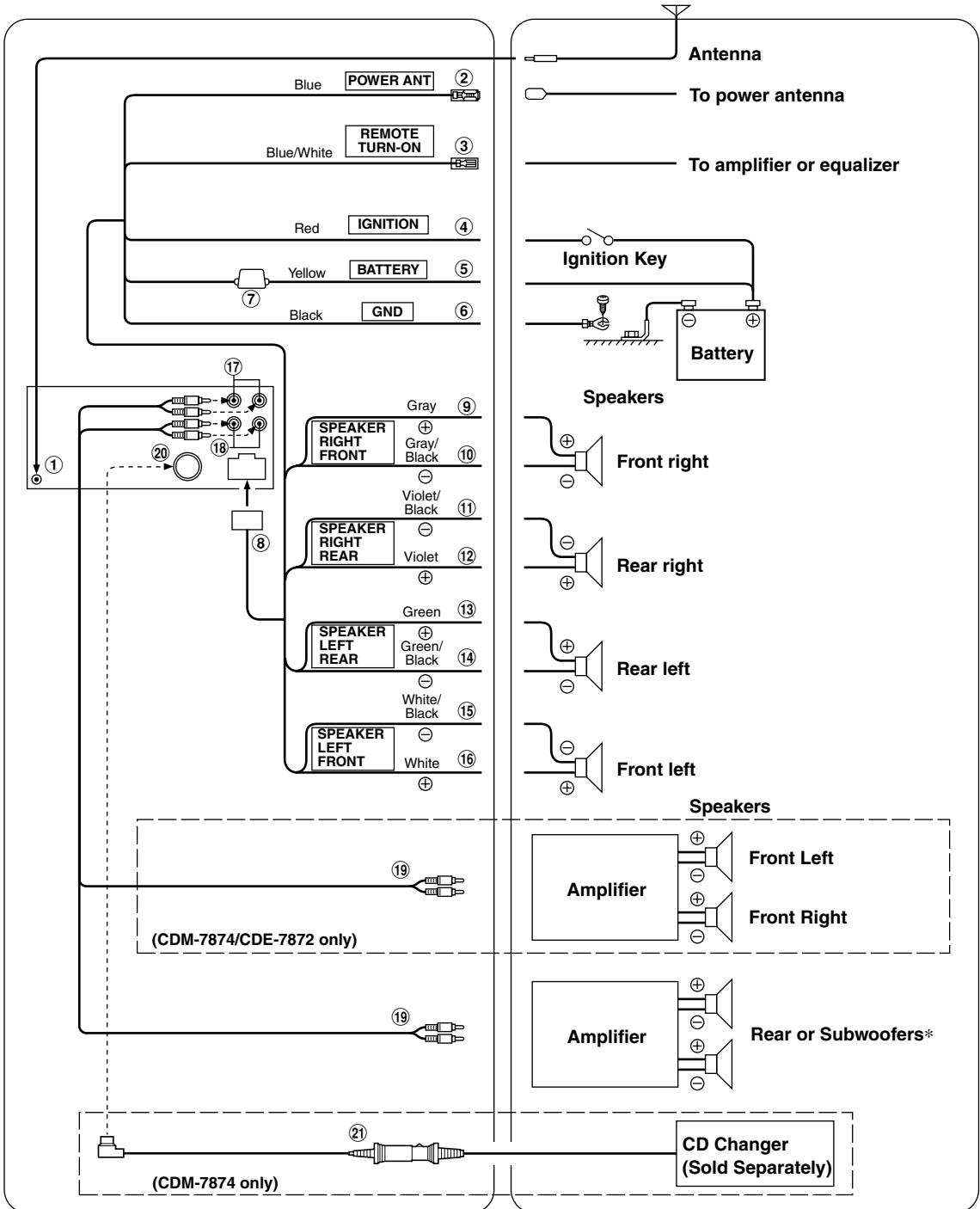


**NOTE**

Secure the ground lead of the unit to a clean metal spot using a screw (\*) already attached to the vehicle's chassis.

# Installation and Connections

## Connections



\* When Subwoofer is set to OFF: Output is from Rear speakers.  
When Subwoofer is set to ON: Output is from Subwoofer.

For details on how to set the Subwoofer to ON/OFF, see "Subwoofer On and Off" on page 5.

- ① Antenna Receptacle
- ② Power Antenna Lead (Blue)  
Connect this lead to the +B terminal of your power antenna, if applicable.
- ③ Remote Turn-On Lead (Blue/White)  
Connect this lead to the remote turn-on lead of your amplifier or signal processor.
- ④ Switched Power Lead (Ignition) (Red)  
Connect this lead to an open terminal on the vehicle's fuse box or another unused power source which provides (+)12V only when the ignition is turned on or in the accessory position.
- ⑤ Battery Lead (Yellow)  
Connect this lead to the positive (+) post of the vehicle's battery.
- ⑥ Ground Lead (Black)  
Connect this lead to a good chassis ground on the vehicle. Make sure the connection is made to bare metal and is securely fastened using the sheet metal screw provided.
- ⑦ Fuse Holder (15A)
- ⑧ Power Supply Connector
- ⑨ Right Front (+) Speaker Output Lead (Gray)
- ⑩ Right Front (-) Speaker Output Lead (Gray/Black)
- ⑪ Right Rear (-) Speaker Output Lead (Violet/Black)
- ⑫ Right Rear (+) Speaker Output Lead (Violet)
- ⑬ Left Rear (+) Speaker Output Lead (Green)
- ⑭ Left Rear (-) Speaker Output Lead (Green/Black)
- ⑮ Left Front (-) Speaker Output Lead (White/Black)
- ⑯ Left Front (+) Speaker Output Lead (White)
- ⑰ Front Output RCA Connectors (CDM-7874/CDE-7872 only)
- ⑱ Rear/Subwoofer RCA Connectors (CDE-7870 only)  
RED is right and WHITE is left.
- ⑲ Rear/Subwoofer Output RCA Connectors (CDM-7874/CDE-7872 only)  
RED is right and WHITE is left.
- ⑲ RCA Extension Cable (Sold Separately)
- ⑳ DIN Connector (CDM-7874 only)  
Connect this to the DIN connector on the CD Changer.
- ㉑ DIN Extension Cable (Sold Separately)

**NOTE**

*Older Alpine CD Changer came with standard, straight type DIN connectors. In installations where an L-type connector would simplify installation, the Alpine 49100z Adaptor can be used (Sold Separately).*

**To prevent external noise from entering the audio system.**

- Locate the unit and route the leads at least 10cm away from the car harness.
- Keep the battery power leads as far away from other leads as possible.
- Connect the ground lead securely to a bare metal spot (remove any paint, dirt or grease if necessary) of the car chassis.
- If you add an optional noise suppressor, connect it as far away from the unit as possible. Your Alpine dealer carries various Alpine noise suppressors, contact them for further information.
- Your Alpine dealer knows best about noise prevention measures so consult your dealer for further information.

# LIMITED WARRANTY

ALPINE ELECTRONICS OF AMERICA, INC. AND ALPINE OF CANADA INC. ("Alpine"), are dedicated to quality craftsmanship and are pleased to offer this Warranty. We suggest that you read it thoroughly. Should you have any questions, please contact your Dealer or Alpine at one of the telephone numbers listed below.

## ● PRODUCTS COVERED:

This Warranty covers Car Audio/Visual Products and Related Accessories ("the product"). Products purchased in the Canada are covered only in the Canada. Products purchased in the U.S.A. are covered only in the U.S.A.

## ● LENGTH OF WARRANTY:

This Warranty is in effect for one year from the date of the first consumer purchase.

## ● LIFETIME TAPE HEAD WARRANTY:

All Alpine Car Audio analog tape heads excluding Video tape heads are warranted for life against manufacturing defects causing failure.

## ● WHO IS COVERED:

This Warranty only covers the original purchaser of the product, who must reside in the United States, Puerto Rico or Canada.

## ● WHAT IS COVERED:

This Warranty covers defects in materials or workmanship (parts and labor) in the product.

## ● WHAT IS NOT COVERED:

This Warranty does not cover the following:

- ① Damage occurring during shipment of the product to Alpine for repair (claims must be presented to the carrier).
- ② Damage caused by accident, abuse, negligence, misuse, improper connections, improper operation or failure to follow instructions contained in the Owner's manual.
- ③ Damage caused by act of God, including without limitation, earthquake, fire, flood, storms or other acts of nature.
- ④ Any cost or expense related to the removal or reinstallation of the product.
- ⑤ Service performed by an unauthorized person, company or association.
- ⑥ Any product which has the serial number defaced, altered or removed.
- ⑦ Any product which has been adjusted, altered or modified without Alpine's consent.
- ⑧ Any product not distributed by Alpine within the United States, Puerto Rico or Canada.
- ⑨ Any product not purchased from an Authorized Alpine Dealer.
- ⑩ Any product that has been determined to contain an excessive amount of dust or dirt and any product that contains other contaminants including liquid or foreign objects.

## ● HOW TO OBTAIN WARRANTY SERVICE:

- ① You are responsible for delivery of the product to an Authorized Alpine Service Center or Alpine for repair and for payment of any initial shipping charges. Alpine will, at its option, repair or replace the product with a new or reconditioned product without charge. If the repairs are covered by the warranty, and if the product was shipped to an Authorized Alpine Service Center or Alpine, Alpine will pay the return shipping charges.

- ② You should provide a detailed description of the problem(s) for which service is required.
- ③ You must supply proof of your purchase of the product.
- ④ You must package the product securely to avoid damage during shipment.

## ● HOW WE LIMIT IMPLIED WARRANTIES:

ANY IMPLIED WARRANTIES INCLUDING FITNESS FOR USE AND MERCHANTABILITY ARE LIMITED IN DURATION TO THE PERIOD OF THE EXPRESS WARRANTY SET FORTH ABOVE AND NO PERSON IS AUTHORIZED TO ASSUME FOR ALPINE ANY OTHER LIABILITY IN CONNECTION WITH THE SALE OF THE PRODUCT.

## ● HOW WE EXCLUDE CERTAIN DAMAGES:

ALPINE EXPRESSLY DISCLAIMS LIABILITY FOR INCIDENTAL AND CONSEQUENTIAL DAMAGES CAUSED BY THE PRODUCT. THE TERM "INCIDENTAL DAMAGES" REFERS TO EXPENSES OF TRANSPORTING THE PRODUCT TO THE ALPINE SERVICE CENTER, LOSS OF THE ORIGINAL PURCHASER'S TIME, LOSS OF THE USE OF THE PRODUCT, BUS FARES, CAR RENTALS OR OTHERS COSTS RELATING TO THE CARE AND CUSTODY OF THE PRODUCT. THE TERM "CONSEQUENTIAL DAMAGES" REFERS TO THE COST OF REPAIRING OR REPLACING OTHER PROPERTY WHICH IS DAMAGED WHEN THIS PRODUCT DOES NOT WORK PROPERLY. THE REMEDIES PROVIDED UNDER THIS WARRANTY ARE EXCLUSIVE AND IN LIEU OF ALL OTHERS.

## ● HOW STATE/PROVINCIAL LAW RELATES TO THE WARRANTY:

This Warranty gives you specific legal rights, and you may also have other rights which vary from state to state and province to province. In addition, some states/provinces do not allow limitations on how long an implied warranty lasts, and some do not allow the exclusion or limitation of incidental or consequential damages. Accordingly, limitations as to these matters contained herein may not apply to you.

## ● IN CANADA ONLY:

This Warranty is not valid unless your Alpine car audio product has been installed in your vehicle by an Authorized Installation Center, and this warranty stamped upon installation by the installation center.

## ● HOW TO CONTACT CUSTOMER SERVICE:

Should the product require service, please call the following number for your nearest Authorized Alpine Service Center.

U.S.A.	1-800-ALPINE-1 (1-800-257-4631)
CANADA	1-800-ALPINE-1 (1-800-257-4631)



Thank you for choosing Alpine! Please register your product with us so we can serve you better.

First name: \_\_\_\_\_

Last name: \_\_\_\_\_

Home address: \_\_\_\_\_  
Street address

City \_\_\_\_\_ State/Prov. \_\_\_\_\_ Zip Code \_\_\_\_\_

May we contact you at this address? 1.  Yes 2.  No

Phone number: ( ) \_\_\_\_\_

May we contact you at this number? 1.  Yes 2.  No

E-mail Address: \_\_\_\_\_

May we contact you by e-mail? 1.  Yes 2.  No

Gender 1.  Male 2.  Female

Date of Birth Month: \_\_\_\_\_ Year: \_\_\_\_\_

Marital Status 1.  Single 2.  Married

Which ethnicity best describes yourself:

- 1.  Caucasian
- 2.  Hispanic
- 3.  African-American
- 4.  Asian
- 5.  Other \_\_\_\_\_

Your highest level of education completed:

- 1.  High School Student
- 2.  High School Graduate
- 3.  2 Yr. Degree/Some College
- 4.  Completed 4 Yr. College
- 5.  Completed Graduate School

### Product purchased

- 1.  Cassette Player
- 2.  CD Player
- 3.  MD Player
- 4.  DVD Player
- 5.  CD Changer
- 6.  Amplifier
- 7.  Speaker
- 8.  Subwoofer
- 9.  Monitor Controller
- 10.  Video Monitor
- 11.  Navigation
- 12.  Mobile Mayday
- 13.  Video Tape Player
- 14.  Processor/Equalizer
- 15.  Security
- 16.  Other \_\_\_\_\_

Model Number: \_\_\_\_\_

Date of Purchase: Month: \_\_\_\_\_ Year: \_\_\_\_\_

### If navigation system, which monitor?

- 1.  Alpine → (Model No.) \_\_\_\_\_
- 2.  Other → (Brand Name) \_\_\_\_\_

### Purpose of buying this unit?

- 1.  Addition
- 2.  Replacement → \*Previous brand replaced?
  - 1.  Factory installed
  - 2.  Alpine
  - 3.  Other \_\_\_\_\_

### Have you purchased Alpine products before?

- 1.  First time
- 2.  Two or more times

### When you purchased this Alpine unit, did you compare it with other brands?

- 1.  Yes
- 2.  No

(Brand Name) \_\_\_\_\_

### Which of the following statements best describes you?

- 1.  I usually have more electronic equipment than my friends
- 2.  I am usually one of the first of my friends to buy the newest electronic equipment
- 3.  I usually wait until a product has been out for a while before I purchase it
- 4.  I am usually one of the first of my friends to know about the newest car
- 5.  I usually know more about cars than my friends

### Occupation

- 1.  Executive/Managerial
- 2.  Secretarial/Clerical
- 3.  Sales
- 4.  General Labor
- 5.  Professional
- 6.  Engineering/Technical
- 7.  Farming/Fishing
- 8.  Retired
- 9.  Student
- 10.  Other \_\_\_\_\_

### Household Income

- 1.  Less than \$30,000
- 2.  \$30,000 - \$50,000
- 3.  \$50,000 - \$70,000
- 4.  \$70,000 - \$90,000
- 5.  \$90,000 - \$110,000
- 6.  Over \$110,000

### Type of vehicle in which this unit is installed.

Make: \_\_\_\_\_ Model: \_\_\_\_\_

Purchased Year: \_\_\_\_\_ Model Year: \_\_\_\_\_

### How was this vehicle purchased?

- 1.  Bought
- 2.  Leased

SEAL HERE

SEAL HERE

**Business  
Replay Mail**

No Postage Stamp  
Necessary If Mailed  
In Canada

Postage will be paid by



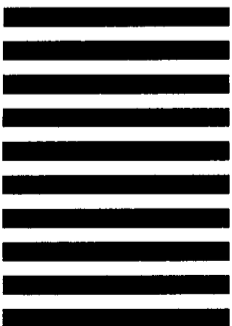
ALPINE ELECTRONICS OF CANADA, INC.  
Suite 203, 7300 Warden Ave. Markham,  
Ontario L3R 9Z6

↑ FOR USE IN CANADA, PLEASE FOLD HERE AND ENSURE THAT  
CANADIAN ADDRESS FACES UP.

↓ FOR USE IN USA, PLEASE FOLD HERE AND ENSURE THAT  
AMERICAN ADDRESS FACES UP.



ALPINE ELECTRONICS OF AMERICA, INC.  
Attention : MARKETING SERVICES  
P.O. Box 2859  
Torrance, CA 90509-9939



**BUSINESS REPLY MAIL**  
FIRST CLASS MAIL PERMIT N. 320 TORRANCE, CA.90509  
POSTAGE WILL BE PAID BY ADDRESSEE

NO POSTAGE  
NECESSARY  
IF MAILED  
IN THE  
UNITED STATES



## Free Manuals Download Website

<http://myh66.com>

<http://usermanuals.us>

<http://www.somanuals.com>

<http://www.4manuals.cc>

<http://www.manual-lib.com>

<http://www.404manual.com>

<http://www.luxmanual.com>

<http://aubethermostatmanual.com>

Golf course search by state

<http://golfingnear.com>

Email search by domain

<http://emailbydomain.com>

Auto manuals search

<http://auto.somanuals.com>

TV manuals search

<http://tv.somanuals.com>