



EN

CVA-1003

Mobile Multimedia Station

FR

- OWNER'S MANUAL
Please read before using this equipment.
- MODE D'EMPLOI
Veuillez lire avant d'utiliser cet appareil.
- MANUAL DE OPERACIÓN
Léalo antes de utilizar este equipo.

ES



ALPINE ELECTRONICS, INC.
Tokyo office: 1-1-8 Nishi Gotanda,
Shinagawa-ku,
Tokyo 141-8501, Japan
Tel.: (03) 3494-1101

ALPINE ELECTRONICS OF AMERICA, INC.
19145 Gramercy Place, Torrance,
California 90501, U.S.A.
Tel.: 1-800-ALPINE-1 (1-800-257-4631)

ALPINE ELECTRONICS OF CANADA, INC.
Suite 203, 7300 Warden Ave. Markham,
Ontario L3R 9Z6, Canada
Tel.: 1-800-ALPINE-1 (1-800-257-4631)

ALPINE ELECTRONICS OF AUSTRALIA PTY. LTD.
6-8 Fiveways Boulevard Keysborough,
Victoria 3173, Australia
Tel.: (03) 9769-0000

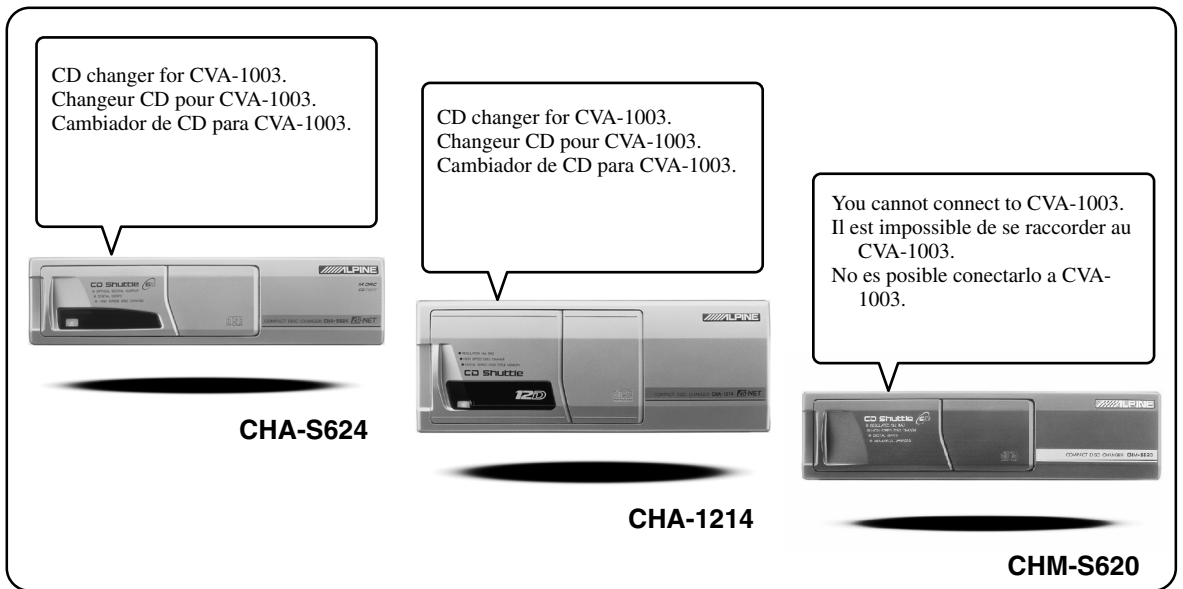
ALPINE ELECTRONICS GmbH
Kreuzerkamp 7-11 40878 Ratingen, Germany
Tel.: 02102-45 50

ALPINE ITALIA S.p.A.
Via C. Colombo 8, 20090 Trezzano Sul Naviglio
MI, Italy
Tel.: 02-48 47 81

ALPINE ELECTRONICS FRANCE S.A.R.L.
(RCS PONTOISE B 338 101 280)
98, Rue De La Belle Etoile, Z.I. Paris Nord II
B.P. 50016 F-95945, Roissy, Charles De Gaulle
Cedex, France
Tel.: 01-48 63 89 89

ALPINE ELECTRONICS OF U.K., LTD.
13 Tanners Drive, Blakelands, Milton Keynes
MK14 5BU, U.K.
Tel.: 01908-61 15 56

ALPINE ELECTRONICS DE ESPAÑA, S.A.
Portal De Gamarra 36, Pabellón 32
01013 Vitoria (Alava)-Apdo. 133, Spain
Tel.: 34-45-283588



Alpine CD Changers Give You More!

More musical selections, more versatility, more convenience.

An Alpine CD Changer adds more musical choices to your sound system. All models except CHM-S620 can be controlled from Alpine head units and deliver excellent sound quality. The CHA-S624 is a high-performance 6-disc changer with a new M DAC, Ai-NET compatibility, Optical Digital Output, 150 Disc Title Memory and CD TEXT. The CHA-1214 Ai-NET model holds 12 discs, and the CHM-S620 M-Bus model is a super-compact 6-disc changer.

Changeurs de CD Alpine : vous avez le choix!

Plus de sélections musicales, plus de souplesse, plus de confort.

Un changeur de CD Alpine permet d'augmenter la plage des sélections musicales de votre système embarqué. Tous les modèles, à l'exception du CHM-S620, peuvent être contrôlés à partir des autoradios Alpine et offrent une excellente qualité audio. Le modèle CHA-S624 est un changeur 6 disques ultra performant compatible Ai-NET et équipé d'un convertisseur N/A standard, d'une sortie optique numérique, d'une mémoire d'une capacité de 150 titres et de la fonction CD TEXT. Le modèle CHA-1214 Ai-NET peut contenir 12 disques. Le modèle CHM-S620 M-Bus est un changeur 6 disques super compact.

¡Los cambiadores Alpine de CD le ofrecen más!

Más selecciones musicales, más versatilidad y más ventajas.

Un cambiador Alpine de CD añade más opciones musicales a su equipo de sonido. Todos los modelos, excepto el CHM-S620, pueden controlarse desde las unidades principales de Alpine y proporcionar un sonido de calidad excepcional. El modelo CHA-S624 es un cambiador de 6 discos de alto rendimiento con el nuevo DAC "M" y compatibilidad con Ai-NET, salida digital óptica, memoria de títulos de 150 discos y TEXTO CD. El modelo CHA-1214 Ai-NET admite 12 discos y el modelo CHM-S620 Bus-M es un cambiador de 6 discos y tamaño reducido.

Contents

Operating Instructions



WARNING

WARNING	3
CAUTION	3
PRECAUTIONS	4



Basic Operation

Detaching the Front Panel	6
Attaching the Front Panel	6
Initial System Start-Up	6
Turning Power On and Off	7
Raising the Monitor	7
Lowering the Monitor	8
Selecting the Monitor's Opening Position	8
Adjusting the Monitor Viewing Angle	8
Adjusting Volume/Balance (Between Left and Right)/Fader (Between Front and Rear)	9
Turning Loudness On and Off	9
Audio Mute Function	9

Radio Operation

Manual Tuning	10
Automatic Seek Tuning	10
Manual Storing of Station Presets	11
Automatic Memory of Station Presets	11
Tuning to Preset Stations	11

XM Radio Operation (Optional)

Receiving the XM Channels with the XM Receiver (Optional)	12
Checking the XM Radio ID Number	13
Storing of XM Channel Presets	13
Receiving the Stored XM Channels	13
Category Search	14
Changing the Display	14

CD Player/Changer Operation (Optional)

Playing Optional CD player or Changer	15
Music Sensor (Skip)	15
Fast Forward and Backward	16
Repeat Play	16
M.I.X. (Random Play)	16
Scanning Programs	17
Titling Discs	17
Erasing Disc Title	18
Controlling CD Changer	18
Multi-Changer Selection	19

MD Player Operation (Optional)

Playing Mini-Disc (MD)	20
Music Sensor (Skip)	20
Fast Forward and Backward	21
Repeat Play	21
M.I.X. (Random Play)	21

Cassette Player Operation (Optional)

Controlling Cassette Player	22
-----------------------------------	----

DVD/Video CD/CD Player Operation (Optional)

Playing DVD/Video CD/CD	23
Still/Pause	23
Chapter (DVD)/Track (Video CD) Sensor	23
Fast Forward/Backward	24
Repeat Play	24
Controlling DVD Changer	24

Navigation System Operation (Optional)

Turning on the Navigation Mode	25
--------------------------------------	----

Other Useful Features

Displaying the Title/Text	26
Setting the Bass Control	28
Setting the Treble Control	29
Switching Phase	30
Turning Defeat Mode On and Off	30
Illumination control	31
Adjusting Brightness of Picture	31
Adjusting Color of Picture	32
Adjusting Tint of Picture	32
Switching the Background Screen	33
CD Text/MD Title Scroll Setting	33
Setting Automatic Opening/Closing of Monitor	34
Turning Sound Guide function On or Off	34
Setting the Clock Display	35
Displaying Time	35
Setting Time	35
Selecting Rear Monitor	36
Setting the External Input	37
Adjusting Source Signal Levels	37
Switching the Tuner Mode	37
Subwoofer Control On and Off	38
Interrupt Feature (MIX LEVEL)	38
Setting the External Expansion Box	39
Switching Disc Mode	39
Recalling Stored Settings	39
Simultaneous Operation	39
Switching Display Modes	40
Operation with the Monitor Display Closed	41

Information

In Case of Difficulty	42
Specifications	44

Installation and Connections

Warning	45
Caution	45
Precautions	45
Installation	46
Connections	48

LIMITED WARRANTY

WARNING

WARNING

This symbol means important instructions. Failure to heed them can result in serious injury or death.

INSTALL THE PRODUCT CORRECTLY SO THAT THE DRIVER CANNOT WATCH TV/VIDEO UNLESS THE VEHICLE IS STOPPED AND THE EMERGENCY BRAKE IS APPLIED.

It is dangerous (and illegal in many states) for the driver to watch TV/Video while driving a vehicle. Installing this product incorrectly enables the driver to watch TV/Video while driving. This may cause a distraction, preventing the driver from looking ahead, thus causing an accident. The driver or other people could be severely injured.

DO NOT WATCH VIDEO WHILE DRIVING.

Watching the video may distract the driver from looking ahead of the vehicle and cause an accident.

DO NOT OPERATE ANY FUNCTION THAT TAKES YOUR ATTENTION AWAY FROM SAFELY DRIVING YOUR VEHICLE.

Any function that requires your prolonged attention should only be performed after coming to a complete stop. Always stop the vehicle in a safe location before performing these functions. Failure to do so may result in an accident.

KEEP THE VOLUME AT A LEVEL WHERE YOU CAN STILL HEAR OUTSIDE NOISE WHILE DRIVING.

Failure to do so may result in an accident.

MINIMIZE DISPLAY VIEWING WHILE DRIVING.

Viewing the display may distract the driver from looking ahead of the vehicle and cause an accident.

DO NOT DISASSEMBLE OR ALTER.

Doing so may result in an accident, fire or electric shock.

USE THIS PRODUCT FOR MOBILE 12V APPLICATIONS.

Use for other than its designed application may result in fire, electric shock or other injury.

USE THE CORRECT AMPERE RATING WHEN REPLACING FUSES.

Failure to do so may result in fire or electric shock.

DO NOT BLOCK VENTS OR RADIATOR PANELS.

Doing so may cause heat to build up inside and may result in fire.

DO NOT PLACE HANDS, FINGERS OR FOREIGN OBJECTS IN INSERTION SLOTS OR GAPS.

Doing so may result in personal injury or damage to the product.

KEEP SMALL OBJECTS SUCH AS BATTERIES OUT OF THE REACH OF CHILDREN.

Swallowing them may result in serious injury. If swallowed, consult a physician immediately.

USE ONLY IN CARS WITH A 12 VOLT NEGATIVE GROUND.

(Check with your dealer if you are not sure.) Failure to do so may result in fire, etc.

CAUTION

This symbol means important instructions. Failure to heed them can result in injury or material property damage.

HALT USE IMMEDIATELY IF A PROBLEM APPEARS.

Failure to do so may cause personal injury or damage to the product. Return it to your authorized Alpine dealer or the nearest Alpine Service Center for repairing.



WARNING



PRECAUTIONS

Temperature

Be sure the temperature inside the vehicle is between +45°C (+113°F) and 0°C (+32°F) before turning your unit on.

Maintenance

If you have problems, do not attempt to repair the unit yourself. Return it to your Alpine dealer or the nearest Alpine Service Station for servicing.

Installation Location

Make sure the CVA-1003 will not be installed in a location subjected to:

- Direct sun and heat
 - High humidity and water
 - Excessive dust
 - Excessive vibrations
-

Handling the Detachable Front Panel

- Do not expose to rain or water.
 - Do not drop or apply shock.
-

Operation of some of the functions of this unit is very complex. Because of this, it was deemed necessary to place these functions into a special screen. This will restrict operation of these functions to times when the vehicle is parked. This ensures the focus of the driver's attention will be on the road and not on the CVA-1003. This has been done for the safety of the driver and passengers.

The Title Input and SETUP screens cannot be made while the car is moving. The car must be parked and the parking brake must be engaged for the procedure described in the Owner's Manual to be valid. The warning "CAN'T OPERATE WHILE DRIVING," will be displayed if any attempts are made to perform these operations while driving.

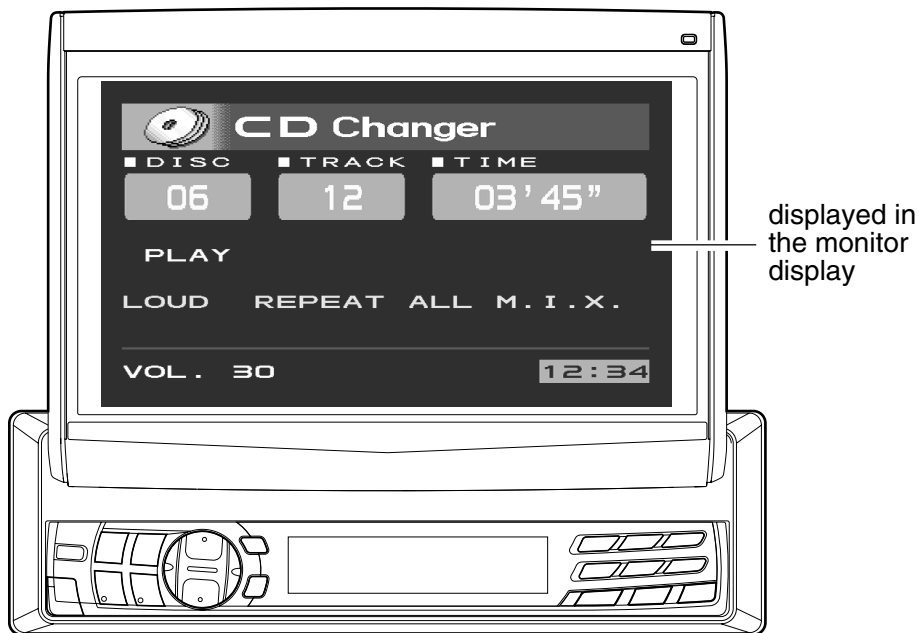
This operation is the same as when selecting sources using the remote control (Optional). When the car is parked, the selection is made as described in the Owner's Manual.

Alpine products equipped with the Ai-NET bus, connected to the CVA-1003, can be operated from the CVA-1003. Depending on the products connected, the functions and displays will vary. For details, consult your Alpine dealer.

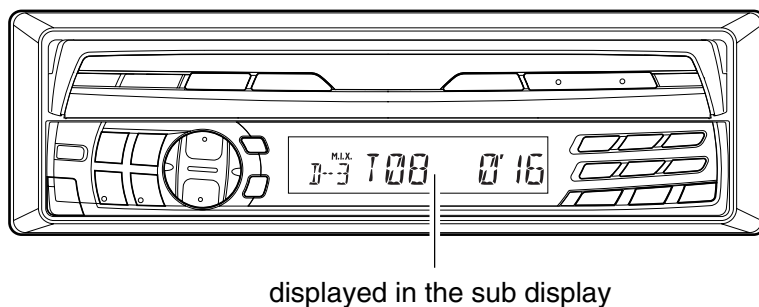
Introduction

You can operate most of the functions of this unit with the monitor display open or closed (except some operations). For operations with the monitor display closed, refer to page 41.

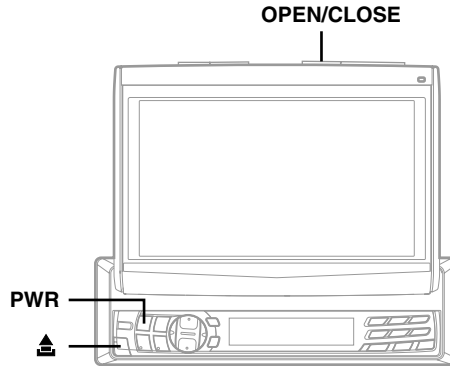
THE MONITOR DISPLAY IS OPEN




THE MONITOR DISPLAY IS CLOSED

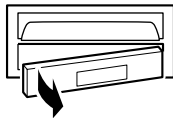


Basic Operation



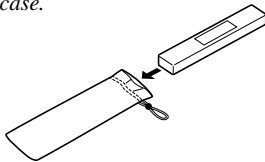
Detaching the Front Panel

- 1 Press and hold the **PWR** (Power) button for more than 2 seconds to turn off the power.
- 2 Press the  (Release) button at lower left side until the front panel pops out.
- 3 Grasp the left side of the front panel and pull it out.



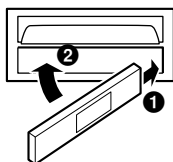
NOTES

- The front panel may become hot in normal usage (especially the connector terminals), this is not a malfunction.
- To protect the front panel, place it in the supplied carrying case.



Attaching the Front Panel

- 1 First, insert the right side of the front panel into the main unit. Align the groove on the front panel with the projections on the main unit.
- 2 Push the left side of the front panel until it locks firmly into the main unit.



NOTE

Before attaching the front panel, make sure that there is no dirt or dust on the connector terminals and no foreign object between the front panel and the main unit.

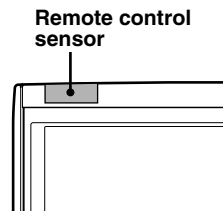
• Compatibility with Factory Steering Wheel Radio Controls

If your vehicle has steering wheel controls for the radio, an optional steering wheel control interface may be available to connect your Alpine radio. For details, contact your Alpine dealer.

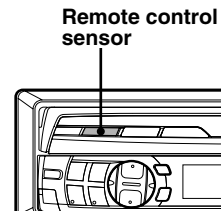
• Controllable with Remote Control

This unit can be controlled with an optional Alpine remote control. For details, consult your Alpine dealer.

Point the optional remote control transmitter at the remote control sensor.



When the monitor display is open.

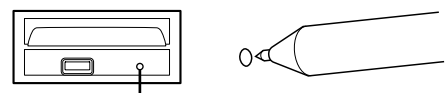


When the monitor display is closed.

- You can use the remote control even when the monitor display is closed.

Initial System Start-Up

Immediately after installing or applying power to the unit, it should be initialized. To do this, first, remove the detachable front panel. Behind the front panel, to the right of the connector, there is a small hole. Using a pencil or other pointed object, press the reset switch mounted behind this hole to complete the initialization procedure.



RESET switch

Turning Power On and Off

Some of this unit's functions, cannot be performed while the vehicle is in motion. Be sure to stop your vehicle in a safe location and apply the parking brake, before attempting these operations.

- 1 Press the **PWR** (Power) button to turn on the unit.

The opening screen appears automatically on the monitor display.

NOTE

The unit can be turned on by pressing any other button except the **OPEN/CLOSE** and **ANGLE ▼ ▲** button.

The volume level gradually increases to the previous level you were listening to before the unit was turned off. Press and hold the **PWR** (Power) button for at least 2 seconds to turn off the unit.

NOTES

- After turning the system off, a slight ghost of the image will remain temporarily. This is an effect peculiar to LCD technology and is normal.
- Under cold temperature conditions, the screen may lose contrast temporarily. After a short warm-up period, it will return to normal.
- The CVA-1003 draws minimal current even when its power switch is turned off. If the switched power (ignition) lead of the CVA-1003 is connected directly to the positive (+) post of the vehicle's battery, the battery may be discharged. If this lead is unswitched, it must be disconnected from the battery post should the vehicle be left unused for an extended period of time.

An SPST (Single-Pole, Single-Throw) switch (sold separately) can be added to simplify this procedure. Then, you can simply place it in the **OFF** position when you leave the vehicle. Turn the SPST switch back **ON** before using the CVA-1003. For connecting the SPST switch, refer to "Connections Diagram of SPST Switch" on page 47.

- Some operation of the unit cannot be performed while the vehicle is in motion. In this case, be sure to first stop your vehicle and apply the parking brake, then perform the operation.

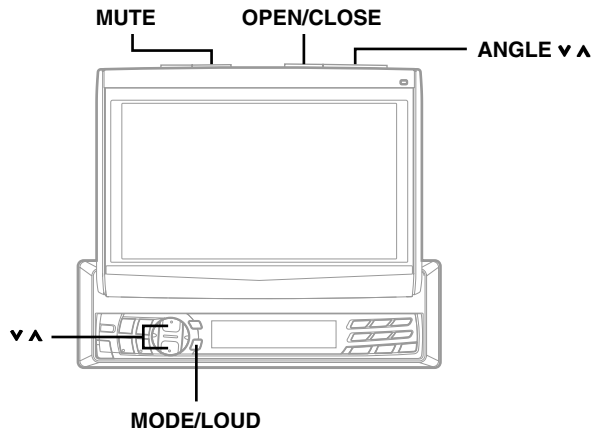
Raising the Monitor

- 1 Press the **OPEN/CLOSE** button. The unit beeps 3 times and raises the monitor automatically.

NOTES

- The CVA-1003 is a precision device. With gentle handling, its unique capabilities can be enjoyed for a long time.
- If the monitor touches an obstacle while it is being raised, the unit will stop raising the monitor immediately. Should this occur, remove the obstacle and press the **OPEN/CLOSE** button again to raise the monitor.
- When the movable monitor is opened, do not place any object on the monitor and be careful not to bump or apply any pressure to the monitor while it is open. This can cause damage to the mechanism.
- Under low ambient temperature conditions, the display may be dark for a short period of time immediately after the power is turned on. Once the LCD has warmed up, the display will return to normal.
- For your safety, some operation of the unit cannot be performed while the vehicle is in motion. In this case, first stop the vehicle and engage the parking brake, then perform the operation.

Basic Operation



Lowering the Monitor

- 1 Press the **OPEN/CLOSE** button. The unit will beep 3 times and lower the monitor automatically.

NOTES

- The CVA-1003 is a precision device. With gentle handling, its unique capabilities can be enjoyed for a long time.
- If the monitor touches an obstacle while it is being lowered, the unit will stop lowering the monitor immediately. Should this occur, remove the obstacle and press the **OPEN/CLOSE** button again to lower the monitor.

Selecting the Monitor's Opening Position

The monitor's opening position has 2 settings.

- 1 Press and hold the **OPEN/CLOSE** button for at least 2 seconds while the monitor is being raised. Each press changes the monitor position back or forth.

Adjusting the Monitor Viewing Angle

Adjust the monitor's angle for better visibility.

- 1 Press the **ANGLE v ^** buttons to adjust the monitor's angle so the screen will be in the best viewing position. Each press of the buttons produces a beep and changes the screen angle between 40 and 105 degrees. When you press and hold the **v** or **^** (**ANGLE**) button for at least 2 seconds, the monitor's angle keeps moving until you release the button.

NOTES

- If the monitor touches an obstacle while the angle is being adjusted the unit will stop the screen immediately. Should this happen, remove the obstacle and press the **ANGLE v ^** button again.
- The screen color will vary when viewed at certain angles. Adjust the screen angle for the best viewing position.
- If the voltage of the vehicle's battery power is low, the screen may blink when the screen angle is changed. This is normal and not a malfunction.

CAUTION

Keep hands (or any other object) away from the display while it is opening or closing to avoid damage or injury. The back of the movable display will get very warm under normal operating conditions. This is not a malfunction. Do not touch.

Basic Operation

Adjusting Volume/Balance (Between Left and Right)/Fader (Between Front and Rear)

- 1 Press the **MODE** button repeatedly to choose the desired mode.
Each press changes the modes as follows:



NOTES

- If the **▼** or **▲** button is not pressed in 5 seconds after selecting the **BALANCE**, or **FADER** mode, the unit automatically returns to the **VOLUME** mode.
 - If the subwoofer is **ON**, its level can also be adjusted using the **MODE** button.
- 2 Press the **▼** and **▲** buttons until the desired sound is obtained in each mode.

Turning Loudness On and Off

Loudness introduces a special low- and high-frequency emphasis at low listening levels. This compensates for the ear's decreased sensitivity to bass and treble sound.

- 1 Press and hold the **LOUD** button for at least 2 seconds to activate or deactivate the loudness mode.
The display shows "LOUD" when the loudness mode is activated.

NOTE

When connecting an external audio processor to the unit, you cannot use this function.

Audio Mute Function

Activating this function will instantly lower the volume level by 20 dB.

- 1 Press the **MUTE** button to activate the MUTE mode. The audio level will decrease by about 20 dB.
Pressing the MUTE button again will bring the audio back to its previous level.

NOTE

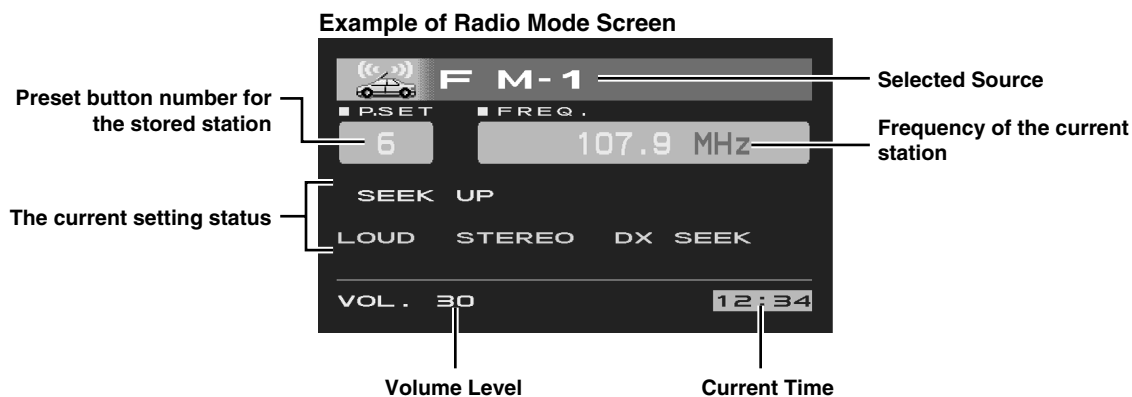
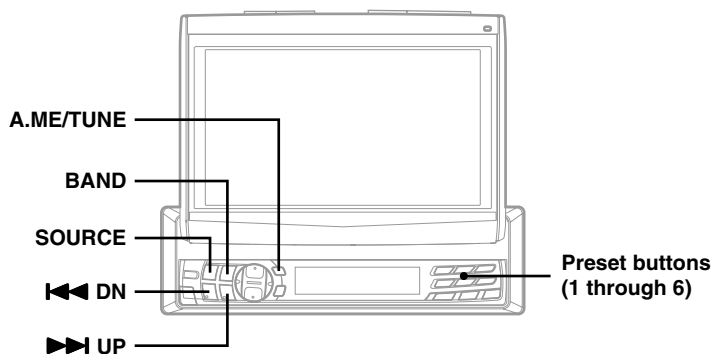
When an external interruption (e.g., vehicle phone) happens, the display shows as follows:

The monitor display: **INT.**

The sub display: **INTERRUPT**

This function is only available when the Interrupt lead of the Auxiliary device is connected to the unit.

Radio Operation



Manual Tuning

- 1 Press the **SOURCE** button until a radio band and frequency appears in the display.
- 2 Press the **BAND** button repeatedly until the desired radio band is displayed. Each press changes the band:
 → FM1 → FM2 → AM →
- 3 Press the **TUNE** button repeatedly until "DX SEEK" and "SEEK" disappear from the display.

NOTE

The initial mode is *DX SEEK*.

- 4 Press the **◀ DN** or **▶ UP** button to move downward or upward one step respectively until the desired station frequency is displayed.

NOTE

The *STEREO* indicator appears on the monitor display when a Stereo FM station is tuned in.

Automatic Seek Tuning

- 1 Press the **SOURCE** button until a radio band and frequency appears in the display.
- 2 Press the **BAND** button repeatedly until the desired radio band is displayed. Each press changes the band:
 → FM1 → FM2 → AM →
- 3 Press the **TUNE** button to illuminate the DX and SEEK indicators in the display. With the DX (Distance) mode activated, both strong and weak stations will be tuned in the Auto-Seek operation. Press again to return to the local mode. The DX indicator will turn off and the SEEK indicator will remain illuminated. Now, only strong stations will be tuned.
- 4 Press the **◀ DN** or **▶ UP** button to automatically seek for a station downward or upward respectively. The unit will stop at the next station it finds. Press the same button again to seek the next station.

Radio Operation

Manual Storing of Station Presets

- 1 Select the radio band and tune in a desired radio station you wish to store in the preset memory.
- 2 Press and hold any one of the **Preset buttons (1 through 6)** for at least 2 seconds until the station frequency (sub display) or preset number (monitor display) on the display blinks.
- 3 Press the **Preset** button into which you wish to store the station while the frequency (sub display) or preset number (monitor display) is blinking (within 5 seconds).
The display stops blinking once the station has been memorized. The display shows the band, preset No. with a triangle (≡ *) and station frequency memorized.
* displayed in sub display
- 4 Repeat the procedure to store up to 5 other stations onto the same band.
To use this procedure for other bands, simply select the band desired and repeat the procedure.
A total of 18 stations can be stored in the preset memory (6 stations for each band; FM1, FM2, AM.)

NOTE

If you store a station in a preset memory which already has a station, the current station will be cleared and replaced with the new station.

Automatic Memory of Station Presets

- 1 Press the **SOURCE** button to select the radio mode.
- 2 Press the **BAND** button repeatedly until the desired radio band is displayed.
- 3 Press and hold the **A. ME** button for at least 2 seconds.
The frequency on the display continues to change while the automatic memory is in progress. The tuner will automatically seek and store 6 strong stations in the selected band. They will be stored into presets 1 to 6 buttons in order of signal strength.
When the automatic memory has been completed, the tuner goes to the station stored in the preset location No. 1.

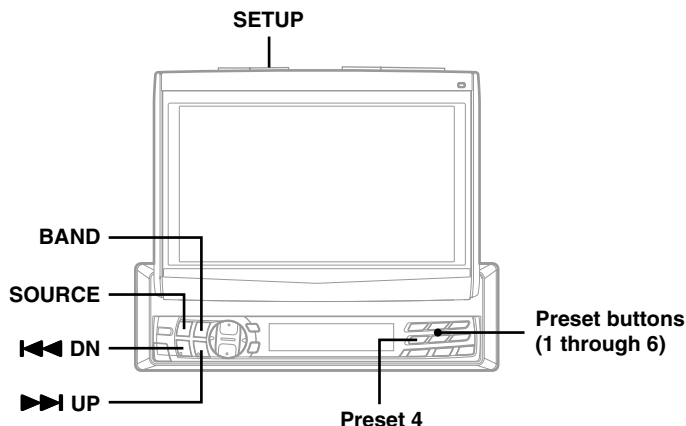
NOTE

If no stations are stored, the tuner will return to the original station you were listening to before the auto memory procedure began.

Tuning to Preset Stations

- 1 Press the **SOURCE** button to select the radio mode.
- 2 Press the **BAND** button repeatedly until the desired band is displayed.
- 3 Press the station **Preset** button that has your desired radio station in memory.
The display shows the band, preset number with a triangle and frequency of the station selected.

XM Radio Operation (Optional)



Receiving the XM Channels with the XM Receiver (Optional)

XM Satellite Radio* is the next generation of audio entertainment, with up to 100 brand-new digital channels. For a small monthly fee, subscribers can hear crystal-clear music, sports, news and talk, coast-to-coast via satellite. For more information, visit XM's website at www.xmradio.com or call 1-877-XMRADIO.

An optional XM Satellite Radio Receiver may be connected to the CVA-1003 if it is Ai-NET compatible. With an XM Receiver connected to the Ai-NET input of the CVA-1003, the XM Receiver will be controllable from the CVA-1003.

* XM and its corresponding logos are trademarks of XM Satellite Radio Inc.

NOTES

- The controls on the CVA-1003 for XM Receiver operation are operative only when an XM Receiver is connected.
- The XM1 or XM2 band illuminates when in XM mode.

- 1 Press the **SOURCE** button to select RADIO Mode.
- 2 Press the **BAND** button to select XM1 or XM2. Each press changes the band:

→ FM1 → FM2 → XM1 → XM2 → AM →

- 3 Press the **◀◀ DN** or **▶▶ UP** button to select the desired channel. Holding the **◀◀ DN** or **▶▶ UP** buttons will change channels continuously.

XM Radio Operation (Optional)

Checking the XM Radio ID Number

You need to provide XM with the unique XM Radio ID number for your XM Radio Receiver in order to subscribe to XM's programming.

This number is an 8 character alphanumeric number that is printed on a label directly on the XM Receiver.

It can also be displayed on the screen of the CVA-1003 in the following way.

- 1 While receiving XM1/XM2, press the **◀◀ DN** or **▶▶ UP** button to select channel "0."
- 2 The unit alternately displays "RADIO ID" for 2 seconds, then the ID number for 10 seconds.
- 3 To cancel the ID number display, set the channel to other than "0."

NOTE

There is another way to display your ID number.

1. When the monitor display is open, press and hold the **SETUP** button for at least 3 seconds.
2. Press the **Preset 4** button to select the XM setting mode. Press the **Preset 4** button again to select ID. ID No. is displayed.
*When ID No. is more than 8 digits, press and hold the **◀◀ DN** or **▶▶ UP** button to scroll the ID No.*
3. After checking your ID number, press the **SETUP** button to return to the normal display.

Storing of XM Channel Presets

- 1 Press the **BAND** button to select the desired band (XM1 or XM2) you want to store.
- 2 After tuning in the desired channel, press and hold any one of the **Preset buttons (1 through 6)** for at least 2 seconds until the channel number (sub display) or preset number (monitor display) on the display blinks.
- 3 Press the **Preset** button into which you wish to store the channel while the frequency (sub display) or preset number (monitor display) is blinking (within 5 seconds). The display stops blinking once the channel has been memorized. The display shows the band, preset No. with a triangle (◀*) and channel number memorized.

* displayed in sub display

- 4 Repeat the procedure to store up to 5 other channels onto the same band. To use this procedure for other bands, simply select the band desired and repeat the procedure. A total of 12 channels can be stored in the preset memory (6 channels for each band; XM1 and XM2).

NOTE

If you store a channel in a preset memory which already has a station, the current channel will be cleared and replaced with the new one.

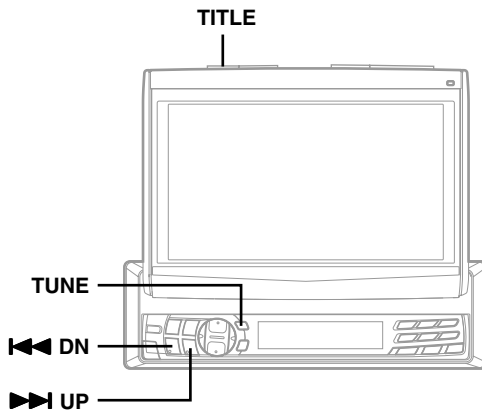
Receiving the stored XM Channels

- 1 Press the **BAND** button to select the desired band (XM1 or XM2).

→ FM1 → FM2 → XM1 → XM2 → AM →

- 2 Press the channel **Preset** button that has your desired satellite channel in memory.

XM Radio Operation (Optional)



Category Search

Category Search functionality allows you to search for a specific channel by the category of programming it offers, or to surf within a given category.

- 1 In XM mode, press the **TUNE** button to display the category of the channel that is currently selected for 5 seconds.
- 2 While the category is displayed, press the **◀◀ DN** or **▶▶ UP** button to select a different category (or leave it to stay with the same category.)
- 3 Within 5 seconds of selecting the category, press the **TUNE** button again to select the next channel within that category. Repeatedly press the **TUNE** button within 5 seconds to select additional channels within that category.

When tuned in, the category is displayed for 5 seconds, then the display returns to normal mode.

NOTE

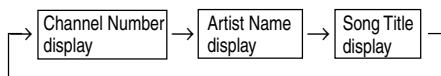
If you cannot find your desired category, the display shows “----- (displayed in the monitor display), ---- (displayed in the sub display)” for 5 seconds. Then, the display will return to the normal display.

Changing the Display

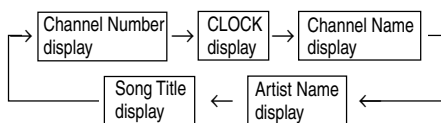
Text information, such as the channel name, artist name/feature, and song/program title, is available with each XM channel. The unit can display this text information as explained below.

- 1 In XM mode, press the **TITLE** button. Each time you press this button, the display changes as shown below.

When the monitor is open: displayed in the monitor display



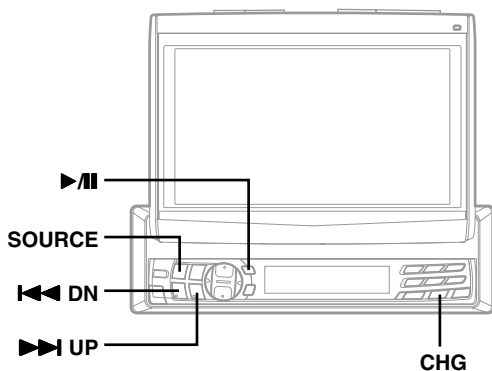
When the monitor is closed: displayed in the sub display



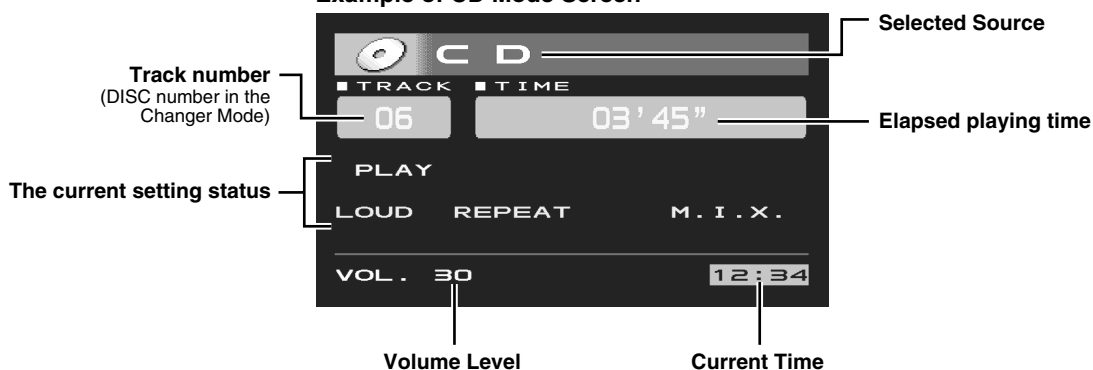
NOTES

- When The “CD Text Scroll Setting” (refer to page 33) is set to “SCROLL ON”, the display scrolls. When the CD Text Scroll Setting is set to “SCROLL OFF”, the display scrolls only when you operate the unit (POWER ON, BAND, etc., are displayed.)
- “Channel Number” and “Clock” displays do not scroll.

CD Player/Changer Operation (Optional)



Example of CD Mode Screen



Playing Optional CD Player or Changer

When an optional Alpine CD player or CD changer is connected, you can control it from the CVA-1003. This section describes operation assuming that an Alpine CD player is connected. (When a CD changer is connected, see page 18 to select your desired disc.)

You can directly select the CD Changer mode by pressing the **CHG** (changer) button on the CVA-1003.

- 1 Press the **SOURCE** button until the "CD" appears in the display. Insert a CD into the CD player, the player starts playing.
- 2 To pause playback, press the ▶|| button. Pressing the ▶|| button again will resume playback.
- 3 To eject the CD, press the **eject** button on the CD player.

Music Sensor (Skip)

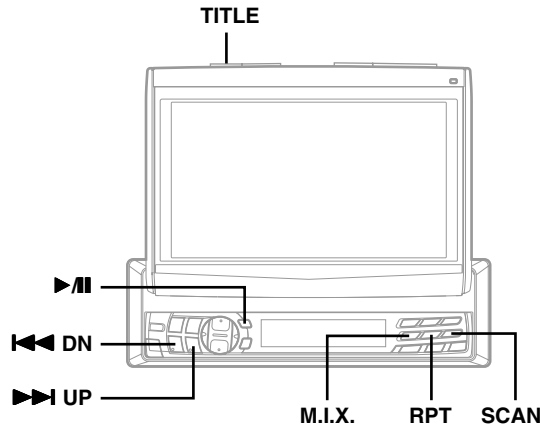
- 1 Momentarily press the ◀◀ **DN** button once during CD play to return to the beginning of the current track. If you wish to access the beginning of a track further back, repeatedly press until you reach the desired track.

Press the ▶▶ **UP** button once to advance to the beginning of the next track. If you wish to access the beginning of a track further ahead, press repeatedly until the desired track is reached.

NOTE

The music sensor feature is functional in the play or pause mode.

CD Player/Changer Operation (Optional)



Fast Forward and Backward

- 1 Press and hold the **◀◀ DN** or **▶▶ UP** button to quickly move backward or forward until you reach the desired section of the track.

Repeat Play

- 1 Press the **RPT** (Repeat) button to play back repeatedly the track being played. The track will be played repeatedly.

Press the **RPT** button again and select OFF to deactivate the repeat play.

NOTES

- If a CD Changer is connected and the RPT (REPEAT) ALL mode is selected, the unit repeatedly plays back all tracks on the disc selected.
Displayed in the monitor display:

◻ → REPEAT → REPEAT ALL → (off) ◻

Displayed in the sub display:

◻ → RPT → RPT ALL → (off) ◻

When the monitor display is open: displayed in the monitor display

- In case a 6-disc CD changer is connected:
In CD changer mode, press the FUNC button to light the "FUNC" indicator in red and go to step 1.
- In case a 12-disc CD changer is connected:
In changer mode, press the FUNC button twice to light the "FUNC" indicator in red and go to step 1.

When the monitor display is closed: displayed in the sub display

- In case a 6-disc CD changer is connected:
In CD changer mode, press the FUNC button to illuminate the "FUNC" indicator and go to step 1.
- In case a 12-disc CD changer is connected:
In changer mode, press the FUNC button twice to illuminate the "FUNC" indicator and go to step 1.

M.I.X. (Random Play)

- 1 Press the **M.I.X.** button in the play or pause mode. The tracks on the disc will be played back in a random sequence. After all the tracks on the disc have been played back once, the player will begin a new random sequence play until the M.I.X. mode is cancelled.

To cancel M.I.X. play, press the **M.I.X.** button again to turn off the M.I.X.

NOTES

- If a CD Changer equipped with the ALL M.I.X. function is connected, ALL M.I.X. will also be selectable.
In this mode, the tracks on all the CDs in the current magazine will be included in the random playback sequence.

◻ → M.I.X. → ALL M.I.X. → (off) ◻

When the monitor display is open: displayed in the monitor display

- In case a 6-disc CD changer is connected:
In CD changer mode, press the FUNC button to light the "FUNC" indicator in red and go to step 1.
- In case a 12-disc CD changer is connected:
In changer mode, press the FUNC button twice to light the "FUNC" indicator in red and go to step 1.

When the monitor display is closed: displayed in the sub display

- In case a 6-disc CD changer is connected:
In CD changer mode, press the FUNC button to illuminate the "FUNC" indicator and go to step 1.
- In case a 12-disc CD changer is connected:
In changer mode, press the FUNC button twice to illuminate the "FUNC" indicator and go to step 1.

CD Player/Changer Operation (Optional)

Scanning Programs

- 1 Press the **SCAN** button to activate the Scan mode.
The first 10 seconds of each track will be played back in succession.

To stop scanning, press the **SCAN** button and deactivate the Scan mode.

NOTES

When the monitor display is open: displayed in the monitor display

- In case a 6-disc CD changer is connected:
In CD changer mode, press the **FUNC** button to light the "FUNC" indicator in red and go to step 1.
- In case a 12-disc CD changer is connected:
In changer mode, press the **FUNC** button twice to light the "FUNC" indicator in red and go to step 1.

When the monitor display is closed: displayed in the sub display

- In case a 6-disc CD changer is connected:
In CD changer mode, press the **FUNC** button to illuminate the "FUNC" indicator and go to step 1.
- In case a 12-disc CD changer is connected:
In changer mode, press the **FUNC** button twice to illuminate the "FUNC" indicator and go to step 1.

Titling Discs

It is possible to title your favorite CD's.

To display the Title display mode:

To title a disc, your vehicle must be parked with the ignition key in the ACC or ON position. To do this, follow the procedure below.

1. Push the foot brake to bring your vehicle to a complete stop at a safe location. Engage the parking brake.
2. Keep pushing the foot brake and release the parking brake once then engage it again.
3. While the parking brake is being engaged the second time, release the foot brake.

NOTE

For automatic transmission vehicles, place the transmission lever in the Park position.

Now, the locking system for the Title display mode operation has been released. Unless the ignition key is turned to the OFF position, the Title display mode can be activated by engaging the parking brake without performing the above procedure (1 through 3). Each time the ignition key is turned to the OFF position, perform the above procedure.

NOTE

If you try to access this screen while driving, the warning-CANT OPERATE WHILE DRIVING will be appeared.

- 1 When the monitor display is open, press the **TITLE** button and select the title display mode. For details, see Displaying the Title/Text (page 26).
- 2 Press and hold the **TITLE** button for at least 3 seconds. The first character will blink.
- 3 Press the **◀◀ DN** or **▶▶ UP** button to select the desired letter/numeral/symbol available for naming.
- 4 Press the **▶/||** button to store the first character. The first character will stop blinking and the display will automatically advance to the next character. When that character begins to blink, you may choose the next letter or symbol of your title.
- 5 Repeat the steps 3 and 4 above to complete the titling. Pressing the **▶/||** button after entering the 8th character, automatically stores the title into memory.

When entering a title of less than 8 characters (for example, 3 character title):

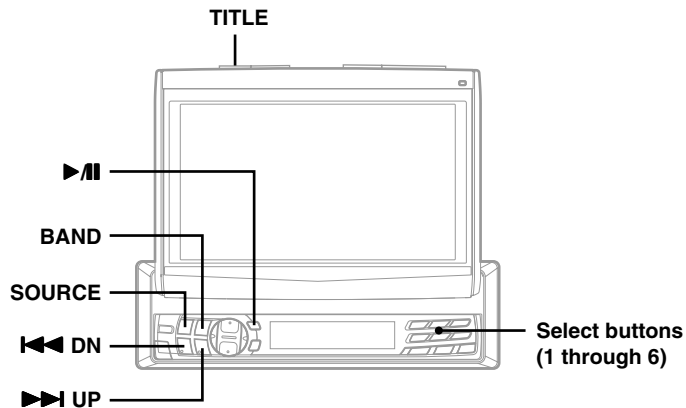
After entering 3 characters to complete your title, the 4th character space will be blinking. Go to step 6 to complete the title.

- 6 Press and hold the **TITLE** button for at least 3 seconds to record the title.

NOTES

- The memory can store up to 150 titles for CD changer. If you try to store beyond the limit, the display will show "FULL DATA." At this point, no more titles can be stored.
- The CD Changer title length or memory capacity varies depending upon the model being used.
- When you want to erase a title, enter the "SFC," symbol into all spaces.
- The operations described in steps 3 to 5 must be made within 10 seconds. The input mode will be cancelled if no action is taken for over 10 seconds.
- Removing power from the unit may delete these titles. Use caution when manipulating the power cord.

CD Player/Changer Operation (Optional)



Erasing Disc Title

- 1 When the monitor display is open, press the **TITLE** button to select the disc titling mode. Then, press and hold for at least 3 seconds.
- 2 Press and hold the **▶/||** button for at least 2 seconds to activate the title scanning mode. The title in the display will blink.
- 3 Press the **◀◀ DN** or **▶▶ UP** button repeatedly until the disc title you want to erase is displayed.
- 4 Press and hold the **▶/||** button for at least 2 seconds to erase the disc title displayed.
- 5 Press and hold the **TITLE** button for at least 3 seconds to cancel the disc title erasing mode.

NOTE

You cannot erase a CD-TEXT.

Controlling CD Changer

An optional 6-disc or 12-disc CD Changer may be connected to the CVA-1003 if it is Ai-NET compatible. With a CD Changer connected to the Ai-NET input of the CVA-1003, the CD Changer will be controllable from the CVA-1003. Using the KCA-400C (the Multi-Changer Switching device) multiple changers can be controlled by the CVA-1003. See the Multi-Changer Selection section on page 19 for selecting the CD Changers.

NOTE

The controls on the CVA-1003 for CD Changer operation are operative only when a CD Changer is connected.

- 1 Press the **SOURCE** button to activate the CD changer mode. The display shows the disc number and track number.

NOTE

The source indicator varies depending on the connected source.

CD Player/Changer Operation (Optional)

- 2** Press the **Disc Select buttons (1 through 6)** corresponding to one of the discs loaded in the CD Changer. The selected disc number appears in the display and CD playback starts.

NOTES

- After selecting the desired disc, you can operate in the same way as for the CVA-1003 CD player. For details, please see the CD Operation section.
- When the "FUNC" indicator is lit in red in the monitor display, or is lit in the sub display, the disc select buttons become nonfunctional.

When a 12-disc CD Changer is connected:

To select discs numbered from 1 to 6, the procedure is the same as for the 6-disc CD Changer. To select discs numbered from 7 to 12, first press the FUNC button. In the sub display, this changes the "D" indicator to "d." The "FUNC" indicator is lit in yellow on the monitor display. Then press the desired Preset button. With the FUNC button activated, the Preset buttons 1 to 6 will represent discs 7 to 12 respectively.

- 3** The CD Changer Selection mode remains active for 3 seconds after step 2 is performed. Press the **BAND** button until the desired CD Changer indicator appears on the display.

NOTE

If the selected CD Changer is not connected, the display will show "NO CHANGER."

Alternatively press the **BAND** button on the Remote Control until the desired changer indicator appears on the display.

- 4** To operate the selected changer, see "CD Player Operation" section.

NOTE

If an optional CD/MD/DVD player is connected to the unit, the disc mode can be switched each time you press the BAND button (see "Switching Disc Mode" on page 39.)

Multi-Changer Selection

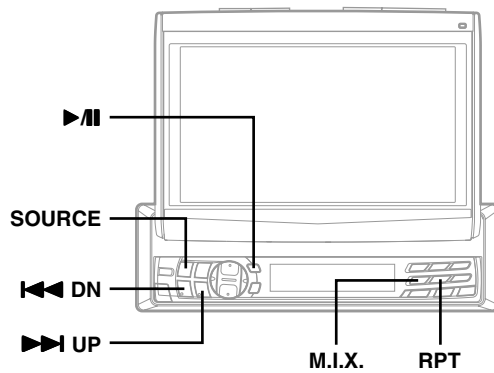
Alpine's Ai-NET system will support up to 6 CD Changers. When operating two or more changers, the KCA-400C (Multi-Changer Switching device) must be used. If you use 1 Switching device, you can connect up to 4 CD Changers. If you use 2 Switching devices, you can connect up to 6 CD Changers.

- 1** Press the **SOURCE** button on the CVA-1003 to activate the CD Changer mode.

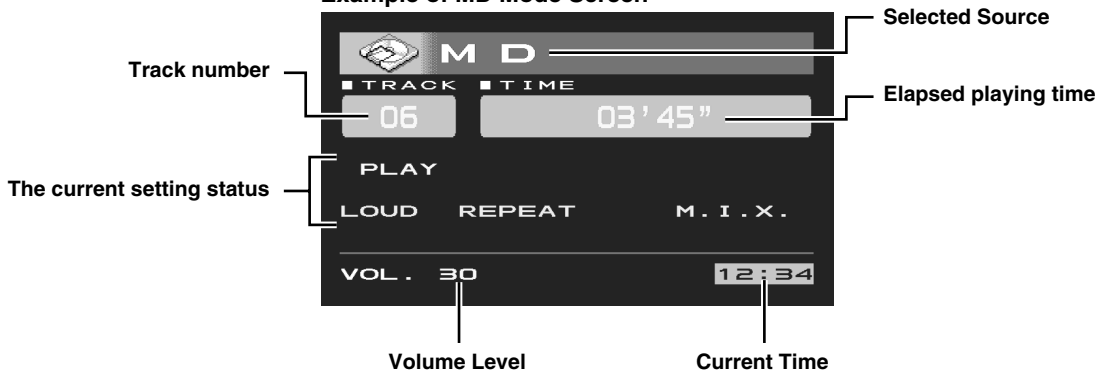
Alternatively, press the SOURCE button on the Remote Control (optional) to activate the CD Changer mode. Proceed to step 3 below to select the desired CD Changer.

- 2** Press the **BAND** button on the CVA-1003 or the Remote Control to activate the CD Changer Selection mode.

MD Player Operation (Optional)



Example of MD Mode Screen



Playing Mini-Disc (MD)

When an optional Alpine MD player is connected to the CVA-1003, you can control the player from the CVA-1003.

(When the MDA-5051 is connected, MDs can be played back only.)

- 1 Press the **SOURCE** button until the "MD" appears in the display. Insert an MD into the MD player, the player starts to play the MD.

NOTE

Before inserting an MD, use your finger to feel around the MD cartridge. If you feel any small bumps or irregularities, remove them because these may cause a malfunction or damage to the player.

- 2 Press the ▶|| button to temporarily pause play. To resume play, press the ▶|| button for a second time.
- 3 Press the eject (▲) button on the MD player when you want to eject the MD.

Music Sensor (Skip)

- 1 Momentarily press the ◀◀ DN button once to return to the beginning of the current track. If you wish to access the beginning of a track further back, repeatedly press until you reach the desired track.
- 2 Press the ▶▶ UP button once to advance to the beginning of the next track. If you wish to access the beginning of a track further ahead, press repeatedly until the desired track is reached.

MD Player Operation (Optional)

Fast Forward and Backward

- 1 Press and hold the **I◀◀ DN** or **▶▶I UP** button to quickly move backward or forward until you reach the desired section of the track.
When you reach the desired section, release the button. The player starts playing from that section.

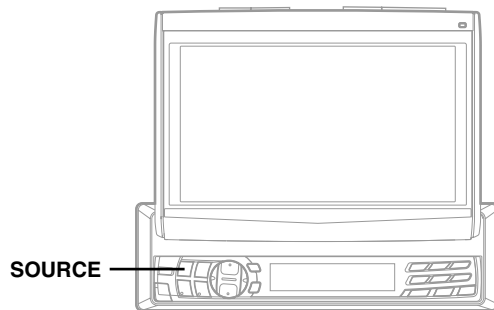
Repeat Play

- 1 Press the **RPT** button to play back repeatedly the track being played. The RPT (Repeat) indicator appears and the track plays repeatedly.
Press the **RPT** button repeatedly until the RPT (Repeat) indicator disappears to deactivate the repeat play.

M.I.X. (Random Play)

- 1 Press the **M.I.X.** button in the play or pause mode. The M.I.X. indicator will illuminate and the tracks on the disc will be played back in a random sequence. After all the tracks on the disc have been played back once, the player will begin a new random sequence play until the M.I.X. mode is deactivated.
To stop the M.I.X. play, press the **M.I.X.** button repeatedly until the M.I.X. indicator disappears.

Cassette Player Operation (Optional)

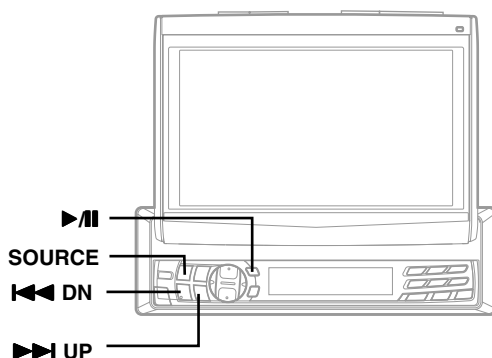


Controlling Cassette Player

If an optional Alpine cassette player is connected to the CVA-1003, it can be controlled from the CVA-1003.

- 1** Press the **SOURCE** button until the "TAPE" appears in the display.
Insert a cassette tape into the cassette player.
The player starts playing.
- 2** To stop tape play and eject the cassette tape, press the **EJECT** button on the cassette player.

DVD/Video CD/CD Player Operation (Optional)



Playing DVD/Video CD/CD

If an optional Alpine DVD/video CD/CD player is connected to the CVA-1003, you can control it from the CVA-1003.

⚠ WARNING

It is dangerous (and illegal in many states) for the driver to watch the TV/Video while driving the vehicle. The driver may be distracted from looking ahead and an accident could occur.

Install the CVA-1003 correctly so that the driver cannot watch TV/Video unless the vehicle is stopped and the emergency brake is applied.

If the CVA-1003 is not installed correctly, the driver will be able to watch the TV/Video while driving the vehicle and may be distracted from looking ahead causing an accident. The driver or other people could be severely injured.

To activate the DVD mode:

To watch a video source, your vehicle must be parked with the ignition key in the ACC or ON position. To do this, follow the procedure below.

1. Push the foot brake to bring your vehicle to a complete stop at a safe location. Engage the parking brake.
2. Keep pushing the foot brake and release the parking brake once then engage it again.
3. While the parking brake is being engaged the second time, release the foot brake.

NOTE

For automatic transmission vehicles, place the transmission lever in the Park position.

Now, the locking system for the DVD mode operation has been released. Unless the ignition key is turned to the OFF position, the DVD mode can be activated by engaging the parking brake without performing the above procedure (1 through 3). Each time the ignition key is turned to the OFF position, perform the above procedure.

NOTE

If you try to activate the DVD mode while driving, the warning-*PICTURE OFF FOR YOUR SAFETY* will be displayed in the monitor display.

- 1 Press the **SOURCE** button to select the DVD mode.
Insert a disc into the DVD/video CD/CD player, the player starts playing.

Still/Pause

- 1 Press the ►|| button during DVD/video CD/CD play to freeze frame or pause. To resume normal play, press the ►|| button for a second time.

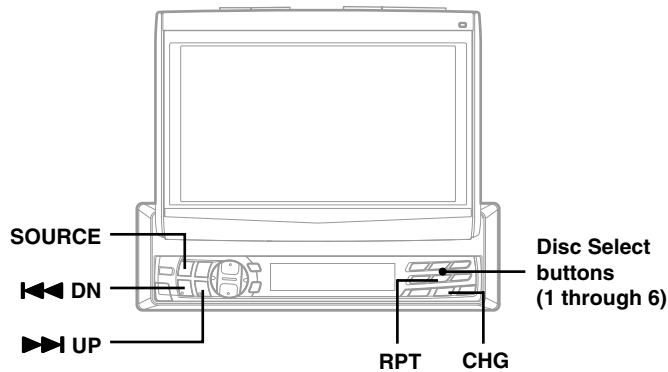
Chapter (DVD)/Track (Video CD) Sensor

- 1 Lightly press the ◀◀ DN or ▶▶ UP button during DVD/video CD/CD play to return to the beginning of the chapter/track being currently played or advance to the beginning of the next chapter/track respectively.

NOTE

The word "chapter or track" means a division of the recorded picture/sound on a DVD/video CD/CD respectively.

DVD/Video CD/CD Player Operation (Optional)



Fast Forward/Backward

- 1 Press and hold the **◀◀ DN** or **▶▶ UP** button during play to fast backward or forward respectively. Release the button when you reach the desired portion you wish to play. Playback starts from that portion.

Repeat Play

- 1 Press the **RPT** button during play to repeatedly play the chapter/track or title/disc being currently played. Each press changes the repeat play as follows:

DVD:

Chapter (repeat play) → Title (repeat play) → Repeat Off (normal play)

Video CD/CD:

Track (repeat play) → Disc (repeat play) → Repeat Off (video CD only)

NOTES

- The track/disc repeat modes cannot be used on video CDs with playback control (PBC). Press "MENU" to turn the PBC function off. For more details, see the operating instructions of your DVD player or DVD changer.

When the monitor display is open: displayed in the monitor display

- In case a 6-disc DVD changer is connected:
In DVD changer mode, press the FUNC button to light in red the "FUNC" indicator and go to step 1.

When the monitor display is closed: displayed in the sub display

- In case a 6-disc DVD changer is connected:
In DVD changer mode, press the FUNC button to illuminate the "FUNC" indicator and go to step 1.

Controlling DVD Changer

If an optional Alpine DVD Changer is connected to the CVA-1003, the DVD Changer can be controlled from the CVA-1003.

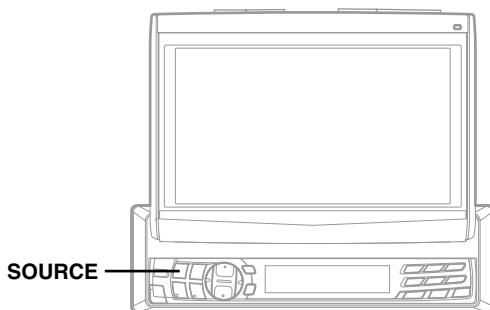
You can directly select the DVD Changer mode by pressing the **CHG** (changer) button on the CVA-1003.

- 1 Press the **SOURCE** button. The "DVD Changer" appears in the monitor display. "DVD CHG" is displayed in the sub display.
- 2 Press the **Disc Select buttons (1 through 6)** corresponding to one of the discs loaded in the DVD changer. Playback starts.

NOTES

- After selecting the desired disc, you can operate in the same way as for the DVD/Video CD/CD Player. For details please see the DVD/Video CD/CD Player Operation section.
- When the "FUNC" indicator is lit in red in the monitor display, or is lit in the sub display, the disc select buttons become nonfunctional.

Navigation System Operation (Optional)



Turning on the Navigation Mode

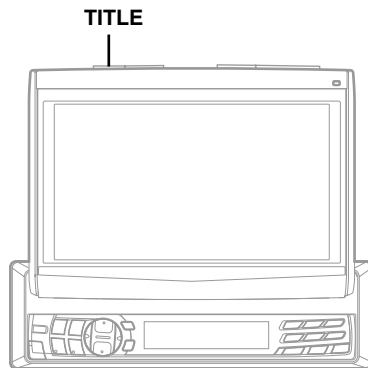
If an optional Alpine Navigation System is connected, The display shows the navigation screen.

- 1 Press the **SOURCE** button to select the Navigation mode.

NOTE

If the Navigation mode does not appear in the display by pressing the SOURCE button, set the external setting of NAV.IN to ON (refer to "Setting the External Input" on page 37.)

Other Useful Features



Displaying the Title/Text

It is possible to display the CD title if the title has been previously inputted. For details, see Titling Discs (page 17). You can display disc/track names during playback of CD text discs or MDs with input titles.

- 1 In the MD/CD changer mode, press the **TITLE** button.
The mode will change every time the button is pressed.

*1 Displayed during playback of a CD with CD Text. "NO TEXT" will be displayed when the CD does not contain CD Text information.

*2 "NO TITLE" appears if the title has not been input.

About "Title" and "Text"

Title: Lets you input characters for the unit to display. You can enter the name of a CD as a title. You cannot assign titles to MDs with this unit. You can however display MD titles that were assigned when it was recorded. Some characters may not be displayed correctly.

Text: Lets you display characters of a CD text disc.

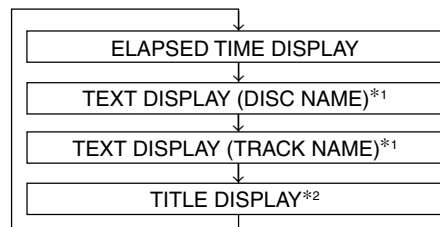


CD text disc mark indicates that the CD has text data.

However, some characters may not be displayed correctly.

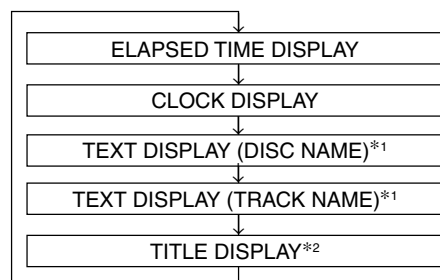
CD changer mode:

The monitor display is open.
(displayed in the monitor display)



CD changer mode:

The monitor display is closed.
(displayed in the sub monitor)

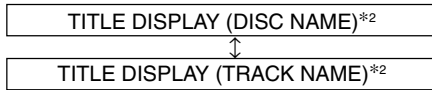


Other Useful Features

MD mode:

The monitor display is open.

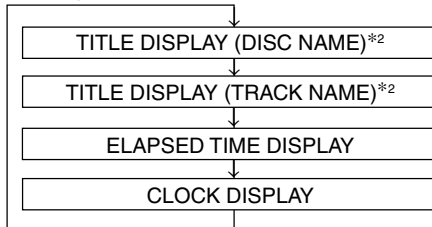
(displayed in the monitor display)



MD mode:

The monitor display is closed.

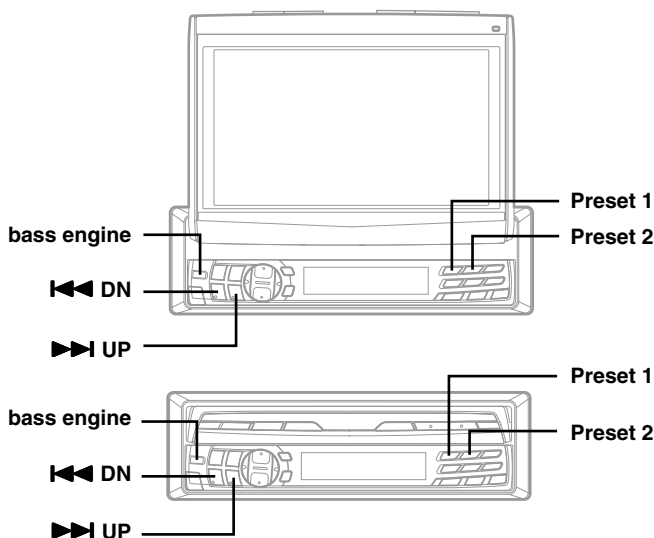
(displayed in the sub monitor)



NOTES

- *Some characters may not be displayed correctly with this device, depending on the character type.*
- *The display may not show all the information of the CD Text depending on the CD changer.*

Other Useful Features



Setting the Bass Control

You can change the Bass Frequency emphasis to create your own tonal preference.

- 1 When the monitor display is open, press the **bass engine** button. Bass engine mode is displayed in the monitor display.
- 2 Press the **Preset 1** button to select the desired mode.
- 3 Press the **◀◀ DN** or **▶▶ UP** button to adjust the selected mode.
 - Bass Level : -7~+7
You can emphasize or weaken the bass frequency.
 - Bass center frequency :
60Hz ↔ 70Hz ↔ 80Hz ↔ 90Hz ↔ 100Hz ↔ 130Hz ↔ 150Hz ↔ 200Hz
Emphasizes the displayed Bass frequency ranges.
 - Bass Band Width (Q-Factor):
WIDE1 ↔ WIDE2 ↔ WIDE3 ↔ WIDE4
(Narrow) ← → (Wide)
Changes the displayed frequency's band width to wide or narrow.
- 4 Press the **bass engine** button to return to the normal mode.

NOTES

- If no buttons are pressed within 10 seconds, the Bass control setting will be turned off automatically.
- Depending on the type of external audio processors connected to the unit, you may not be able to set some settings.
- The settings of the Bass will be individually memorized for each source (FM, AM and CD) until the setting is changed. Depending on the connected devices, some functions and display indications do not work.

Operation with the monitor display closed

You can set the Bass control with the monitor display closed.

- 1 Press the **bass engine** button.
- 2 Press the **Preset 1** button. BASS is displayed for 2 seconds in the sub display, then the value of BASS Level blinks.
- 3 Each time you press the **Preset 1** button, the blinking shifts.

Example of sub display



- 4 Press the **◀◀ DN** or **▶▶ UP** button to adjust the selected mode.

Other Useful Features

Setting the Treble Control

You can change the Treble Frequency emphasis to create your own tonal preference.

- 1 When the monitor display is open, press the **bass engine** button. Bass engine mode is displayed in the monitor display.
- 2 Press the **Preset 2** button to select the desired mode.
- 3 Press the **◀◀ DN** or **▶▶ UP** button to adjust the selected mode.
 - Treble Level : -7~+7
You can emphasize the treble frequency.
 - Treble center frequency:
10.0kHz ↔ 12.5kHz ↔ 15.0kHz ↔ 17.5kHz
Emphasizes the displayed Treble frequency ranges.
- 4 Press the **bass engine** button to return to the normal mode.

NOTES

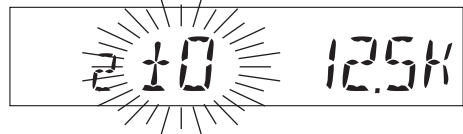
- If no buttons are pressed within 5 seconds, the Treble control setting will be turned off automatically.
- Depending on the type of external audio processors connected to the unit, you may not be able to set some settings.
- The settings of the Treble will be individually memorized for each source (FM, AM and CD) until the setting is changed. Depending on the connected devices, some functions and display indications do not work

Operation with the monitor display closed

You can set the Treble control with the monitor display closed.

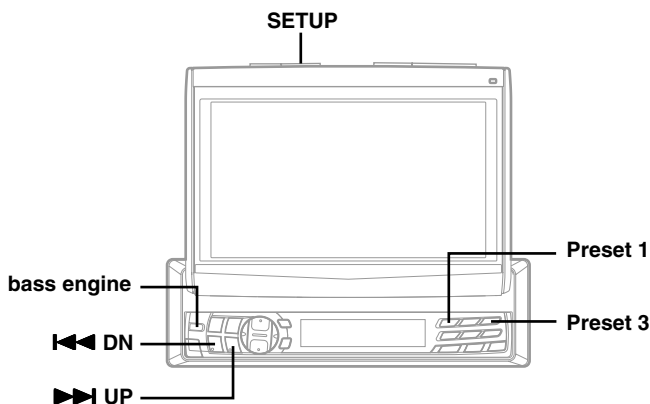
- 1 Press the **bass engine** button.
- 2 Press the **Preset 2** button. TREBLE is displayed for 2 seconds in the sub display, then the value of TREBLE Level blinks.
- 3 Each time you press the **Preset 2** button, the blinking shifts.

Example of sub display

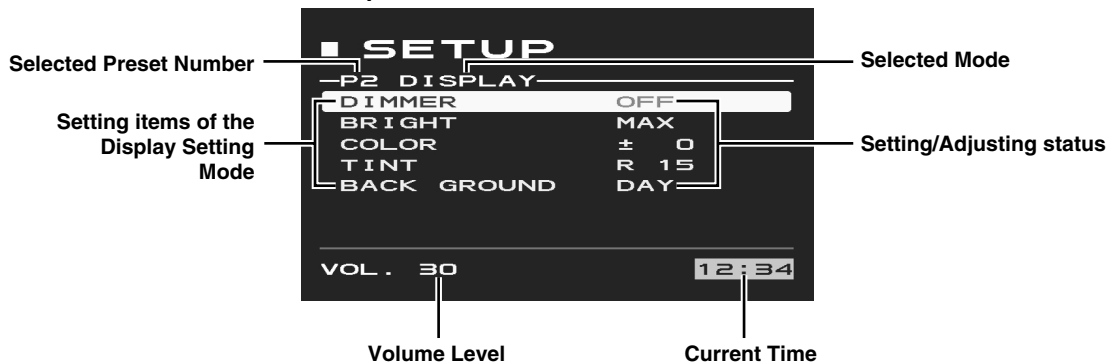


- 4 Press the **◀◀ DN** or **▶▶ UP** button to adjust the selected mode.

Other Useful Features



Example of SETUP Screen



Switching Phase

Before switching Phase, select the Subwoofer ON (refer to "Subwoofer Control On and Off" on page 38).

- 1 Press the **bass engine** button to turn on the Bass engine mode.
- 2 Press the **Preset 3** button to select Subwoofer Phase mode.
- 3 Press the **I◀◀ DN** or **▶▶ UP** button to switch the phase of the subwoofer output.
NORMAL ↔ REVERSE
- 4 Press the **bass engine** button to return to the normal mode.

NOTE

If no buttons are pressed within 10 seconds, the Switching Phase setting will be off automatically.

Turning Defeat Mode On and Off

When the defeat mode is on, the sound signals bypass the surround circuits and directly go to the line output. The equalizer curve, therefore, becomes flat.

- 1 Press and hold the **bass engine** button for at least 2 seconds to select the DEFEAT the mode.
- 2 Press the **I◀◀ DN** or **▶▶ UP** button to set DEFEAT to ON/OFF.
- 3 When turning DEFEAT ON, you can return the settings that you adjusted to the default settings.

DEFAULT:

Bass Level	: ± 0
Bass Center Freq.	: 80 Hz
Bass Band Width	: WIDE1
Treble Level	: ± 0
Treble Center Freq.	: 10.0 kHz
LOUD	: OFF

- 4 Press and hold the **bass engine** button for at least 2 seconds to return to normal mode.

Other Useful Features

Illumination Control

To display the SETUP screen:

To display the Setup screen, your vehicle must be parked with the ignition key in the ACC or ON position. To do this, follow the procedure below.

1. Push the foot brake to bring your vehicle to a complete stop at a safe location. Engage the parking brake.
2. Keep pushing the foot brake and release the parking brake once then engage it again.
3. While the parking brake is being engaged the second time, release the foot brake.

NOTE

For automatic transmission vehicles, place the transmission lever in the Park position.

Now, the locking system for the SETUP screen operation has been released. Unless the ignition key is turned to the OFF position, the SETUP screen can be activated by engaging the parking brake without performing the above procedure (1 through 3).

Each time the ignition key is turned to the OFF position, perform the above procedure.

- 1 When the monitor display is open, press and hold the **SETUP** button for at least 2 seconds. The SETUP screen appears.
- 2 Press the **Preset 1** button to activate the DISPLAY setting mode. Press the **Preset 1** button again to select DIMMER.
- 3 Press the **◀◀ DN** or **▶▶ UP** button to set the Illumination control.

DIMMER AUTO:

In the Auto Dimmer mode, the background illumination of the monitor is synchronized with the instrument illumination of the vehicle (the dimmer input lead should be connected.)

DIMMER ON:

deactivate the Auto Dimmer mode to keep the background illumination bright.

DIMMER OFF:

keep the background illumination of the monitor dark.

To set another setting, press the **Preset 1** button or another Preset button.

- 4 After setting is completed, Press the **SETUP** button to return to normal mode.

Adjusting Brightness of Picture

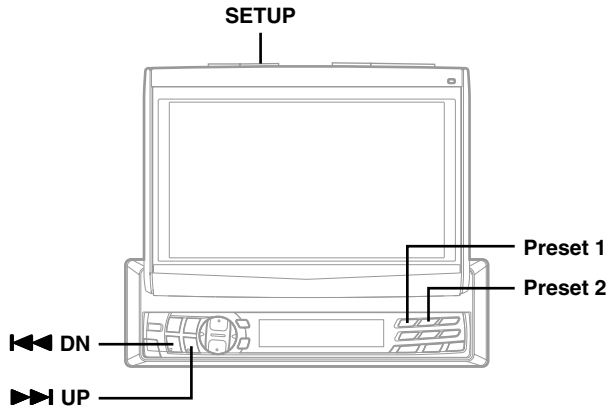
After carrying out the steps 1 to 3 of "To display the SETUP screen" described on page 31, perform the operation show below.

- 1 When the monitor display is open, press and hold the **SETUP** button for at least 2 seconds. The SETUP screen appears.
- 2 Press the **Preset 1** button to activate the DISPLAY setting mode. Press the **Preset 1** button again to select BRIGHT.
- 3 Press the **◀◀ DN** or **▶▶ UP** to make the picture darker or brighter. You can adjust the brightness between MIN (-16) and MAX (+16). When it reaches the minimum or maximum point, the display shows "MIN" or "MAX" respectively.
To set another setting, press the **Preset 1** button or another Preset button.
- 4 After setting is completed, Press the **SETUP** button to return to normal mode.

NOTE

The Brightness setting for the Blue screen background and the Color of the Picture source (AUX/DVD/NAV.) will be individually memorized.

Other Useful Features



Adjusting Color of Picture

Color adjustment can be made only in the navigation, DVD, AUX1 and AUX2 modes. Color adjustment cannot be made if a Navigation system with the RGB feature is connected.

After carrying out the steps 1 to 3 of "To display the SETUP screen" described on page 31, perform the operation show below.

- 1 When the monitor display is open, press and hold the **SETUP** button for at least 2 seconds. The SETUP screen appears.
- 2 Press the **Preset 1** button to activate the DISPLAY setting mode. Press the **Preset 1** button again to select COLOR.
- 3 Press the **I◀◀ DN** or **▶▶ I UP** button to make the color of the picture brighter or darker respectively to get your desired color. You can adjust the color between MIN (-16) and MAX (+16). When it reaches the minimum or maximum point, the display shows "MIN" or "MAX" respectively.
To set another setting, press the **Preset 1** button or another Preset button.
- 4 After setting is completed, Press the **SETUP** button to return to normal mode.

NOTE

The Color setting for the Blue screen background and the Color of the Picture source (AUX/DVD/NAV.) will be individually memorized.

Adjusting Tint of Picture

Tint adjustment can be made only in the navigation, DVD, AUX1 and AUX2 modes. Tint adjustment cannot be made if a Navigation system with the RGB feature is connected.

After carrying out the steps 1 to 3 of "To display the SETUP screen" described on page 31, perform the operation show below.

- 1 When the monitor display is open, press and hold the **SETUP** button for at least 2 seconds. The SETUP screen appears.
- 2 Press the **Preset 1** button to activate the DISPLAY setting mode. Press the **Preset 1** button again to select TINT.
- 3 Press the **I◀◀ DN** or **▶▶ I UP** button to adjust the Tint (between -16 and +16). When it reaches the minimum or maximum point, display shows "R MAX" or "G MAX" respectively.
To set another setting, press the **Preset 1** button or another Preset button.
- 4 After setting is completed, Press the **SETUP** button to return to normal mode.

NOTE

The TINT setting for the Blue screen background and the TINT of the Picture source (AUX/DVD/NAV.) will be individually memorized.

Other Useful Features

Switching the Background Screen

After carrying out the steps 1 to 3 of "To display the SETUP screen" described on page 31, perform the operation show below.

- 1 When the monitor display is open, press and hold the **SETUP** button for at least 2 seconds. The SETUP screen appears.
- 2 Press the **Preset 1** button to activate the DISPLAY setting mode. Press the **Preset 1** button again to select BACK GROUND.
- 3 Press **◀◀ DN** or **▶▶ UP** button to select the desired settings.
AUTO : synchronizes the Dimmer mode setting. When you turn on/off your interior car light, the DAY/NIGHT switches automatically when the Dimmer mode is set to Auto.
When set to ON, the background screen is set to NIGHT (dark blue).
When set to OFF, the background screen is set to DAY(light blue).
NIGHT : sets the background screen color to dark blue.
DAY : sets the background screen color to light blue.
To set another setting, press the **Preset 1** button or another Preset button.
- 4 After setting is completed, Press the **SETUP** button to return to normal mode.

CD Text/MD Title Scroll Setting

When connecting to Alpine's CD/MD player or CD changer, the disc or track name recorded on the disc will scroll. This scrolling feature is available only with text compatible CDs and MDs pre-recorded with title. The scrolling feature will work for titles that were input manually.

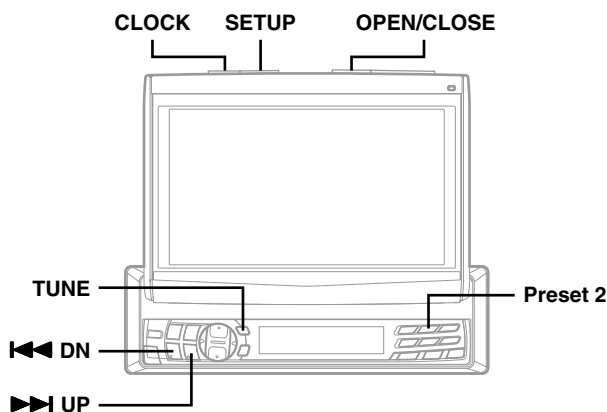
After carrying out the steps 1 to 3 of "To display the SETUP screen" described on page 31, perform the operation show below.

- 1 Press and hold the **SETUP** button for at least 2 seconds.
- 2 Press the **Preset 2** button to select GENERAL Setting mode. Press the **Preset 2** button to select SCROLL.
- 3 Press the **◀◀ DN** or **▶▶ UP** button and select SCROLL ON or SCROLL OFF.
 - SCROLL ON: the display of CD text or MD title is scrolled continuously.
 - SCROLL OFF: the display is scrolled only when a disc is loaded or when a track is changed.
- 4 When the setting is completed, press the **SETUP** button to return to the normal mode.

NOTE

The unit scrolls only CD text names and MD title.

Other Useful Features



Setting Automatic Opening/ Closing of Monitor

When the Automatic Opening/Closing mode is "AUTO," the monitor automatically opens when the ignition key is turned to the "ACC" or "ON" position. The monitor automatically closes when the ignition key is turned OFF.

After carrying out the steps 1 to 3 of "To display the SETUP screen" described on page 31, perform the operation show below.

- 1 When the monitor display is open, press and hold the **SETUP** button for at least 2 seconds. The SETUP screen appears.
- 2 Press the **Preset 2** button to activate the GENERAL setting mode. Press the **Preset 2** button again to select AUTO OPEN.
- 3 Press the **◀◀ DN** or **▶▶ UP** button to set the Auto Opening mode.
To set the Auto Opening mode OFF, press the **◀◀ DN** or **▶▶ UP** button. If set to the "OFF" position, the monitor should be manually opened or closed by pressing the **OPEN/CLOSE** button.
To set another setting, press the **Preset 2** button or another Preset button.
- 4 After setting is completed, Press the **SETUP** button to return to normal mode.

Turning Sound Guide Function On or Off

The Sound Guide function will give audible feedback with a beep sound when a button on the unit is pressed to acknowledge the receipt of the signal from the button.

After carrying out the steps 1 to 3 of "To display the SETUP screen" described on page 31, perform the operation show below.

- 1 When the monitor display is open, press and hold the **SETUP** button for at least 2 seconds. The SETUP screen appears.
- 2 Press the **Preset 2** button to activate the GENERAL setting mode. Press the **Preset 2** button again to select BEEP.
- 3 Press the **◀◀ DN** / **▶▶ UP** button to activate/diactivate the Sound Guide mode. If you turn off the Sound Guide mode, the sound guide beep will not be produced when a button on the unit is pressed.
To set another setting, press the **Preset 2** button or another Preset button.
- 4 After setting is completed, Press the **SETUP** button to return to normal mode.

Other Useful Features

Setting the Clock Display

After carrying out the steps 1 to 3 of "To display the SETUP screen" described on page 31, perform the operation show below.

- 1 When the monitor display is open, press and hold the **SETUP** button for at least 2 seconds. The SETUP screen appears.
- 2 Press the **Preset 2** button to select GENERAL setting mode. Press the **Preset 2** button again to select CLOCK DISP.
- 3 Press the **◀◀ DN** or **▶▶ UP** button to turn off or on the clock display on the monitor display respectively.
To set another setting, press the **Preset 2** button or another Preset button.
- 4 After setting is completed, Press the **SETUP** button to return to normal mode.

Displaying Time

- 1 When the monitor display is closed, press the **CLOCK** button repeatedly until the clock time is displayed in the sub display.

NOTES

- *Selecting any tuner or CD function while in the clock priority mode will interrupt the time display momentarily. The function selected will be displayed for about 5 seconds before the time returns to the display.*
- *The clock time is not shown on both the monitor display and the sub display simultaneously.*

Setting Time

After carrying out the steps 1 to 3 of "To display the SETUP screen" described on page 31, perform the operation show below.

- 1 When the monitor display is open, press and hold the **SETUP** button for at least 2 seconds. The SETUP screen appears.
- 2 Press the **Preset 2** button to activate GENERAL setting mode. Press the **Preset 2** button again to select CLOCK ADJ., then press the **TUNE** button or **◀◀ DN / ▶▶ UP** button to appear the clock adjusting menu.
- 3 Press the **Preset 2** button to select HOUR. Then press the **◀◀ DN** or **▶▶ UP** button to adjust the hour.
- 4 Press the **Preset 2** button to select MINUTE. Then press the **◀◀ DN** or **▶▶ UP** button to adjust the minutes.

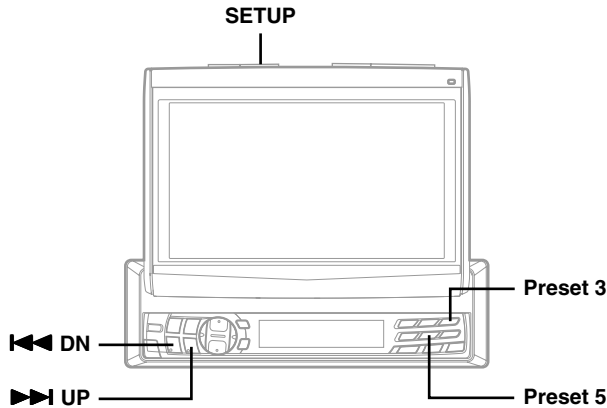
To quickly set the time to the nearest hour, press the **Preset 2** button to select MINUTE ZERO, then press the **TUNE** button or **◀◀ DN / ▶▶ UP** button.

If the minutes is ":30" or under, the hour is the current number. If the minutes is more than ":30", or If you set the minute to "00", the hour is moved up.

To return to the previous mode, press the **Preset 2** button to select RETURN, then press the **TUNE** button, or the **◀◀ DN** or **▶▶ UP** button.

- 5 After setting is completed, Press the **SETUP** button to return to normal mode.

Other Useful Features



Selecting Rear Monitor

When using the optional expansion BOX (KCE-103V), If AUX/NAV. is ON in "Setting the External Input (page 37), and if a rear-seat monitor and navigation system are connected to the CVA-1003, you can switch the picture/sound of the rear-seat monitor from the CVA-1003.

After carrying out the steps 1 to 3 of "To display the SETUP screen" described on page 31, perform the operation show below.

- 1 When the monitor display is open, press and hold the **SETUP** button for at least 2 seconds. The SETUP screen appears.
- 2 Press the **Preset 3** button to activate the AUXILIARY setting mode. Press the **Preset 3** button again to select AUX OUT.
- 3 Press the **I◀◀ DN** or **▶▶ I UP** button to activate the AUX OUT setting mode.
 - AUX-1 IN : the picture/sound of the device connected to Terminal AUX 1 will be played on the rear-seat monitor.
 - AUX-2 IN : the picture/sound of the device connected to Terminal AUX 2 will be played on the rear-seat monitor.
 - NAV.IN : the navigation screen will be displayed and the voice guidance will be produced on the rear-seat monitor if the navigation system is connected.
 - OFF : mode cancel AUX OUT.

To set another setting, press the **Preset 3** button or another Preset button.

- 4 After setting is completed, Press the **SETUP** button to return to normal mode.

NOTE

If a DVD player or DVD changer is connected to the AUX 1 or AUX 2 terminal, the DVD picture appears by performing steps 1 and 2 of "Simultaneous Operations" on page 39. Then, perform steps 1 to 4 on this page so the DVD picture and sound are output.

Other Useful Features

Setting the External Input

After carrying out the steps 1 to 3 of "To display the SETUP screen" described on page 31, perform the operation show below.

- 1 When the monitor display is open, press and hold the **SETUP** button for at least 2 seconds. The SETUP screen appears.
- 2 Press the **Preset 3** button to select the AUXILIARY setting mode. Press the **Preset 3** button to select the desired external input, AUX IN or NAV.IN.
 - If the expansion BOX KCE-103 (not supplied) is connected and the unit is set to Expand Box ON (page 39), you can select AUX-1 IN/AUX-2 IN/NAV.IN.
- 3 Press the **◀◀ DN** or **▶▶ UP** button to set ON/OFF.

To set another setting, press the **Preset 3** button or another Preset button.

NOTE
When *1AUX IN (*1,*2AUX1 IN, *2AUX2 IN) and NAV.IN are set to ON, the EXTERNAL INPUT is displayed during the source and SIMUL switching.
*1 When a DVD player or DVD changer is connected, DVD player or DVD changer is displayed in the display.
*2 When more than two DVD players or DVD changers are connected, DVD player is displayed in AUX1 IN, and DVD changer is displayed in AUX2 IN.
- 4 After setting is completed, Press the **SETUP** button to return to normal mode.

Adjusting Source Signal Levels

If the difference in volume level between the CD player and FM radio is too great, adjust the FM signal level as follows.

After carrying out the steps 1 to 3 of "To display the SETUP screen" described on page 31, perform the operation show below.

- 1 When the monitor display is open, press and hold the **SETUP** button for at least 2 seconds. The SETUP screen appears.

- 2 Press the **Preset 5** button to select the FM setting mode. Press the Preset 5 button again to select FM LEVEL.

To set another setting, press the **Preset 5** button or another Preset button.

- 3 Press the **◀◀ DN** or **▶▶ UP** button to select the FM signal level HIGH or LOW to make the signal levels between the FM band and CD player closer.

To set another setting, press the **Preset 5** button or another Preset button.

- 4 After setting is completed, Press the **SETUP** button to return to normal mode.

Switching the Tuner Mode

The CVA-1003 incorporates the MAX TUNE SQ for the highest quality tuner audio. Moreover, you can choose between two settings to suit your own personal sound preferences usage.

After carrying out the steps 1 to 3 of "To display the SETUP screen" described on page 31, perform the operation show below.

- 1 When the monitor display is open, press and hold the **SETUP** button for at least 2 seconds. The SETUP screen appears.
- 2 Press the **Preset 5** button to activate the FM setting mode. Press the **Preset 5** button again to select CONDITION.
- 3 Press the **◀◀ DN** or **▶▶ UP** button to select the desired setting.

HI-FI: Sound quality priority setting

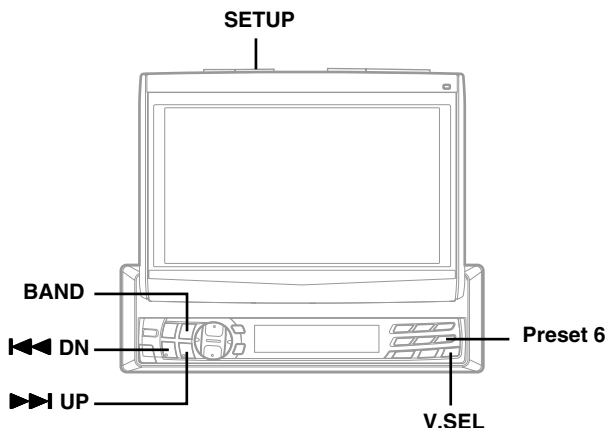
NORMAL: Standard setting

STABLE: Noiseless priority setting

To set another setting, press the **Preset 5** button or another Preset button.

- 4 After setting is completed, Press the **SETUP** button to return to normal mode.

Other Useful Features



Subwoofer Control On and Off

After carrying out the steps 1 to 3 of "To display the SETUP screen" described on page 31, perform the operation show below.

- 1 When the monitor display is open, press and hold the **SETUP** button for at least 2 seconds.
- 2 Press the **Preset 6** button to set to the SYSTEM setting mode. Press the **Preset 6** button again to select the SUB W. mode.
- 3 Press the **I◀◀ DN** or **▶▶ I UP** button to select Subwoofer ON or OFF.
To set another setting, press the **Preset 6** button or another Preset button.
- 4 After setting is completed, press the **SETUP** button to return to normal mode.

NOTES

- Initial mode is "Subwoofer ON."
- Set to "Subwoofer OFF" unless the subwoofer is used.
- When the subwoofer is turned on, the subwoofer output level can be adjusted. For more details, refer to the *Adjusting Volume/Balance/Fader*.

Interrupt Feature (MIX LEVEL)

With an Alpine navigation system connected to the CVA-1003, the voice guidance of the navigation system will be mixed with the radio or CD/MD audio. You can also adjust the volume level of the voice guidance.

If you use this unit connected to an external audio processor, use the built in amplifier. You cannot use this function with an external amplifier.

After carrying out the steps 1 to 3 of "To display the SETUP screen" described on page 31, perform the operation show below.

- 1 When the monitor display is open, press and hold the **SETUP** button for at least 2 seconds. The SETUP screen appears.
- 2 Press the **Preset 6** button to activate the SYSTEM setting mode. Press the **Preset 6** button again to select MIX LEVEL.
- 3 Press the **I◀◀ DN** or **▶▶ I UP** button to adjust the volume level of the navigation system's voice guidance in 7 steps.
To turn off the navigation system's voice guidance, press this button repeatedly until OFF appears.
To set another setting, press the **Preset 6** button or another Preset button.
- 4 After setting is completed, Press the **SETUP** button to return to normal mode.

NOTES

- The volume level of the audio will be automatically reduced when the voice guidance of the Navigation system starts.
- When the voice guidance of the Navigation system starts to interrupt the audio, the display is automatically changed to the navigation screen.

Other Useful Features

Setting the External Expansion Box

When using the optional expansion box (KCE-103V), you can use this function.

After carrying out the steps 1 to 3 of "To display the SETUP screen" described on page 31, perform the operation show below.

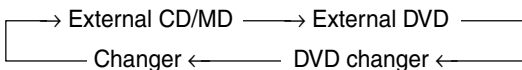
- 1 When the monitor display is open, press and hold the **SETUP** button for at least 2 seconds. The SETUP screen appears.
- 2 Press the **Preset 6** button to activate the SYSTEM setting mode. Press the **Preset 6** button again to select EXPAND BOX.
- 3 Press the **◀◀ DN** or **▶▶ UP** button to set ON/OFF.
Expand Box ON: When connecting the expansion box KCE-103V (not supplied), set to ON.
Expand Box OFF: When not connecting the expansion box KCE-103V (not supplied), set to OFF.
To set another setting, press the **Preset 6** button or another Preset button.
- 4 After setting is completed, Press the **SETUP** button to return to normal mode.

Switching Disc Mode

Use this function when connecting the optional CD/MD/DVD player, changer.

- 1 Press the **BAND** button to switch the Disc mode in the CD/MD/DVD changer mode.

Example



Recalling Stored Settings

You can recall the stored settings on the audio processor with the optional remote control of this unit with Alpine's audio processor.

- 1 Press the **A.PROC** button on the remote control.

- 2 Within 5 seconds, press the **▼** or **▲** button to recall the stored setting. The sub display shows the setting mode.

NOTE

For further information, refer to the instruction of the remote control (not supplied.)

Simultaneous Operation

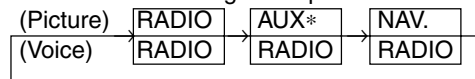
You can watch the video portion of another source while listening to current source.

After carrying out the steps 1 to 3 of "To display the SETUP screen" explained on page 31, perform the operation described below.

- 1 Press the **V.SEL** button to select the video position.

Example

When not connecting the expansion BOX:



When connecting the expansion BOX (KCE-103V):

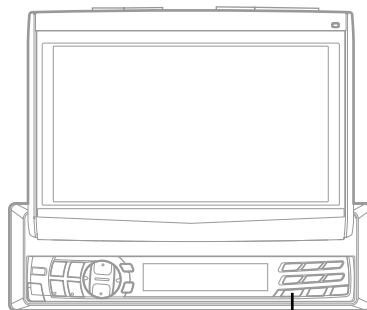


- * If a DVD player or DVD changer is connected, you can receive the DVD picture/sound. DVD player (DVA-5200) is connected: Press the FUNC button on the remote control supplied with the DVD player. The DVD picture and sound are output. DVD player (DVA-5205) or DVD changer (DHA-S680) is connected: Press and hold the V. OUT button on the remote control supplied with the DVD player or DVD changer for at least 2 seconds. The DVD picture and voice are output.

NOTES

- When AUX IN (AUX1 IN, AUX2 IN) and NAV.IN are set to ON, the AUX (AUX1, AUX2) and NAV. mode is displayed (refer to "Setting the External Input" on page 37).
 - To switch the sound source, press the SOURCE button during SIMUL. If the picture and the sound are from the same source, the SIMUL function is not cancelled.
- 2 Press and hold the **V.SEL** button for at least 2 seconds to cancel the SIMUL function.

Other Useful Features

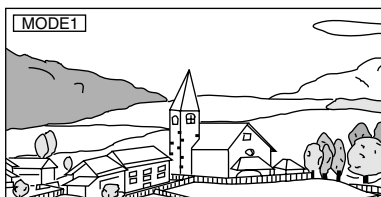
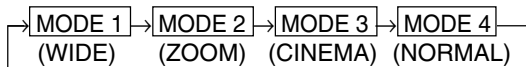


FUNC

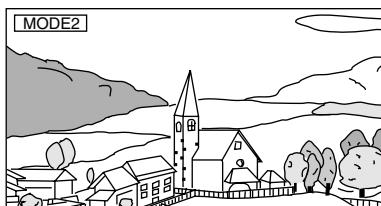
Switching Display Modes

After carrying out the steps 1 to 3 of "To display the SETUP screen" explained on page 31, perform the operation described below.

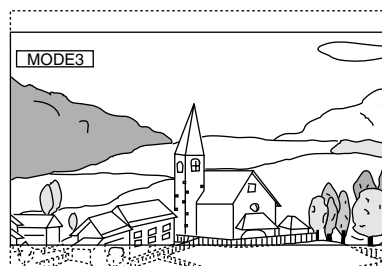
- 1 Press and hold the **FUNC** button for at least 2 seconds in the AUX or NAV. mode. Each press changes the display modes as follows:



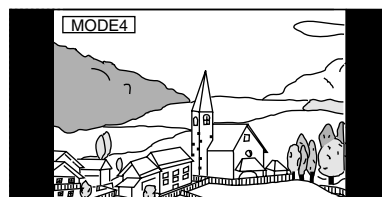
In the Mode 1 (Wide), the monitor displays a normal picture wider to fit in the wide-screen monitor by evenly stretching out the picture horizontally.



In the Mode 2 (Zoom), the monitor displays a normal picture wider to fit in the wide-screen monitor by unevenly stretching out. The center portion of the picture is stretched out only slightly in order to make the important center portion of the picture look natural.



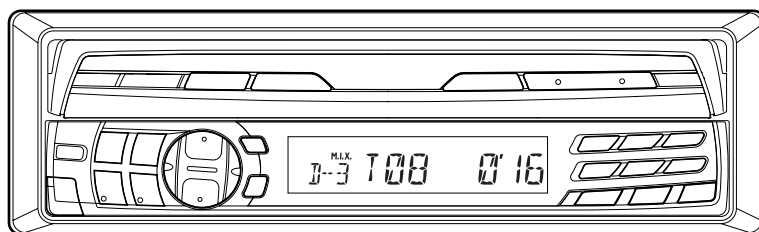
In the Mode 3 (Cinema), the monitor displays a normal picture by stretching out the picture horizontally and vertically. This mode is good for displaying a cinema type picture with the proportion of 16 to 9.



In the Mode 4 (Normal), the monitor displays normal picture at the center of the screen with a vertical black belt at each side.

Operation with the monitor display closed

You can operate this unit with the monitor display closed for the items below.



Basic Operation

Turning Power On and Off	7
Adjusting Volume/Balance (Between Left and Right)/ Fader (Between Front and Rear)	9
Turning Loudness On and Off	9
Audio Mute Function	9

Radio Operation

Manual Tuning	10
Automatic Seek Tuning	10
Manual Storing of Station Presets	11
Automatic Memory of Station Presets	11
Tuning to Preset Stations	11

XM Radio Operation (Optional)

Receiving the XM Channels with the XM Receiver	12
Checking the XM Radio ID Number	13
Storing of XM Station Presets	13
Receiving the Stored XM Stations	13
Category Search	14
Changing the Display	14

CD Player/Changer Operation (Optional)

Playing Optional CD player or Changer	15
Music Sensor (Skip)	15
Fast Forward and Backward	16
Repeat Play	16
M.I.X. (Random Play)	16
Scanning Programs	17
Controlling CD Changer	18
Multi-Changer Selection	19

MD Player Operation (Optional)

Playing Mini-Disc (MD)	20
Music Sensor (Skip)	20
Fast Forward and Backward	21
Repeat Play	21
M.I.X. (Random Play)	21

Cassette Player Operation (Optional)

Controlling Cassette Player	22
-----------------------------------	----

DVD/Video CD/CD Player Operation (Optional)

Playing DVD/Video CD/CD	23
Still/Pause	23
Chapter (DVD)/Track (Video CD) Sensor	23
Fast Forward/Backward	24
Repeat Play	24
Controlling DVD Changer	24

Navigation System Operation (Optional)

Turning on the Navigation Mode	25
--------------------------------------	----

Other Useful Features

Displaying the Title/Text	26
Setting the Bass control	28
Setting the Treble control	29
Switching Phase	30
Turning Defeat Mode On and Off	30
Displaying Time	35
Recalling Stored Settings	39

Information

In Case of Difficulty

If you encounter a problem, please review the items in the following checklist. This guide will help you isolate the problem if the unit is at fault. Otherwise, make sure the rest of your system is properly connected or consult your authorized Alpine dealer.

Basic

No function or display.

- Vehicle's ignition is off.
 - If connected following instructions, the unit will not operate with the vehicle's ignition off.
- Improper power lead connections.
 - Check power lead connections.
- Blown fuse.
 - Check the fuse on the battery lead of the unit; replace with the proper value if necessary.
- Internal micro-computer malfunctioned due to interference noise etc.
 - Press the Reset switch with a ballpoint pen or other pointed article.
- Weak or no battery power.
 - Check battery.

No sound or unnatural sound.

- Incorrect setting of volume/balance/fader controls.
 - Readjust the controls.
- Connections are not properly or securely made.
 - Check the connections and firmly connect.

Screen not displayed.

- Brightness control is set at the minimum position.
 - Adjust the Brightness control.
- Temperature in the vehicle is too low.
 - Increase the vehicle's interior temperature to operation temperature range.
- Connections to the DVD/CD player, navigation system are not securely made.
 - Check the connections and firmly connect.

Movement of displayed picture is abnormal.

- Temperature in the vehicle is too high.
 - Allow the vehicle's interior temperature to cool.

Unclear or noisy display.

- Fluorescent plate is worn out.
 - Replace the fluorescent plate.

Navigation system inoperative.

- Connections with the navigation system are improper.
 - Check the connections with the navigation system and connect the cables correctly and firmly.

Unclear picture display.

- Fluorescent tube is exhausted.
 - Replace the fluorescent tube*.

* The fluorescent tube replacement is not free of charge even within the warranty period, for the tube is an article of consumption.

Radio

Unable to receive stations.

- No antenna or open connection in cable.
 - Make sure the antenna is properly connected; replace the antenna or cable if necessary.

Unable to tune stations in the seek mode.

- You are in a weak signal area.
 - Make sure the tuner is in the DX mode.
- If the area you are in is a primary signal area, the antenna may not be grounded and connected properly.
 - Check your antenna connections; make sure the antenna is properly grounded at its mounting location.
- The antenna may not be the proper length.
 - Make sure the antenna is fully extended; if broken, replace the antenna with a new one.

Broadcast is noisy.

- The antenna is not the proper length.
 - Extend the antenna fully; replace it if it is broken.
 - The antenna is poorly grounded.
 - Make sure the antenna is grounded properly at its mounting location.
 - The station signal is weak and noisy.
 - If above solution does not work, tune in another station.
-

Indication for XM Radio Mode

ANTENNA

- The XM antenna is not connected to the XM radio module.
 - Check whether the XM antenna cable is attached securely to the XM radio module.
-

UPDATING

- Radio is being updated with latest encryption code.
 - Wait until encryption code is being updated. Channels 0 and 1 should function normally.
-

NO SIGNAL (Monitor display)

NO SIGNAL (Sub display)

- XM signal is too weak at the current location.
 - Wait until the car reaches a location with a stronger signal.
-

LOADING

- Radio is acquiring audio or program information.
 - Wait until the radio has received the information.
-

OFF AIR

- The channel currently selected has stopped broadcasting.
 - Select another channel.
-

----- (Monitor display)

----- (Sub display)

- The user has selected a Channel Number that does not exist or is not subscribed to.
 - The unit will revert back to the previously selected channel.
 - There is no artist name/feature, song/program title, or additional information associated with the channel at that time.
 - No action needed.
-

Indication for CD Changer

HI-TEMP

- Protective circuit is activated due to high temperature.
 - The indicator will disappear when the temperature returns to within operation range.
-

ERROR - 01

- Malfunction in the CD Changer.
 - Consult your Alpine dealer. Press the magazine eject button and pull out the magazine. Check the indication. Insert the magazine again. If the magazine cannot be pulled out, consult your Alpine dealer.
 - Magazine ejection not possible.
 - Press the magazine eject button. If the magazine does not eject, consult your Alpine dealer.
-

ERROR - 02

- A disc is left inside the CD changer.
 - Press the EJECT button to activate the eject function. When the CD changer finishes the eject function, insert an empty CD magazine into the CD changer to receive the disc left inside the CD changer.
-

NO MAGAZINE (Monitor display)

NO MAGZN (Sub display)

- No magazine is loaded into the CD Changer.
 - Insert a magazine.
-

NO DISC

- No indicated disc.
 - Choose another disc.
-

Indication for Monitor

HI-TEMP

- Protective circuit is activated due to high temperature.
 - The indicator will disappear when the temperature returns to within operation range.
-

Information

Specifications

MONITOR SECTION

Screen Size	6.5"
LCD Type	Transparent type TN LCD
Operation System	TFT active matrix
Number of Picture Elements	336,960 pcs. (1,440 × 234)
Effective Number of Picture Elements	99.99% or more
Illumination System	U-shaped cold cathode fluorescent tube.

FM TUNER SECTION

Tuning Range	87.7 – 107.9 MHz
Mono Usable Sensitivity	9.3 dBf (0.8 μ V/75 ohms)
50 dB Quieting Sensitivity	13.5 dBf (1.3 μ V/75 ohms)
Alternate Channel Selectivity	80 dB
Signal-to-Noise Ratio	65 dB
Stereo Separation	35 dB
Capture Ratio	2.0 dB

AM TUNER SECTION

Tuning Range	530 – 1,710 kHz
Sensitivity (IEC Standard)	22.5 μ V/27 dB

GENERAL

Power Requirement	14.4 V DC (11–15 V allowable)
Operating temperature	+32°F to +113°F (0°C to +45°C)
Maximum Power Output	45 W × 4
Maximum Pre-Output Voltage	2 V/10 k ohms
Bass	±14 dB at 60 Hz
Treble	±14 dB at 10 kHz
Weight	2.2 kg (4 lbs. 14 oz)

CHASSIS SIZE

Width	178 mm (7")
Height	50 mm (2")
Depth	165 mm (6-1/2")

NOSEPIECE SIZE

Width	170 mm (6-3/4")
Height	46.2 mm (1-13/16")
Depth	20.5 mm (13/16")

NOTES

- *Due to continuous product improvement, specifications and design are subject to change without notice.*
- *The LCD panel is manufactured using an extremely high precision manufacturing technology. Its effective pixel ratio is over 99.99%. This means that there is a possibility that 0.01% of the pixels could be either always ON or OFF.*

Installation and Connections

Before installing or connecting the unit, please read the following and pages 3 and 4 of this manual thoroughly for proper use.

Warning

MAKE THE CORRECT CONNECTIONS.

Failure to make the proper connections may result in fire or product damage.

USE ONLY IN CARS WITH A 12 VOLT NEGATIVE GROUND.

(Check with your dealer if you are not sure.) Failure to do so may result in fire, etc.

BEFORE WIRING, DISCONNECT THE CABLE FROM THE NEGATIVE BATTERY TERMINAL.

Failure to do so may result in electric shock or injury due to electrical shorts.

DO NOT ALLOW CABLES TO BECOME ENTANGLED IN SURROUNDING OBJECTS.

Arrange wiring and cables in compliance with the manual to prevent obstructions when driving. Cables or wiring that obstruct or hang up on places such as the steering wheel, gear lever, brake pedals, etc. can be extremely hazardous.

DO NOT SPLICE INTO ELECTRICAL CABLES.

Never cut away cable insulation to supply power to other equipment. Doing so will exceed the current carrying capacity of the wire and result in fire or electric shock.

DO NOT DAMAGE PIPE OR WIRING WHEN DRILLING HOLES.

When drilling holes in the chassis for installation, take precautions so as not to contact, damage or obstruct pipes, fuel lines, tanks or electrical wiring. Failure to take such precautions may result in fire.

DO NOT USE BOLTS OR NUTS IN THE BRAKE OR STEERING SYSTEMS TO MAKE GROUND CONNECTIONS.

Bolts or nuts used for the brake or steering systems (or any other safety-related system), or tanks should NEVER be used for installations or ground connections. Using such parts could disable control of the vehicle and cause fire etc.

KEEP SMALL OBJECTS SUCH AS BOLTS OR SCREWS OUT OF THE REACH OF CHILDREN.

Swallowing them may result in serious injury. If swallowed, consult a physician immediately.

DO NOT INSTALL IN LOCATIONS WHICH MIGHT HINDER VEHICLE OPERATION, SUCH AS THE STEERING WHEEL OR GEARSHIFT.

Doing so may obstruct forward vision or hamper movement etc. and results in serious accident.

Caution

HAVE THE WIRING AND INSTALLATION DONE BY EXPERTS.

The wiring and installation of this unit requires special technical skill and experience. To ensure safety, always contact the dealer where you purchased this product to have the work done.

USE SPECIFIED ACCESSORY PARTS AND INSTALL THEM SECURELY.

Be sure to use only the specified accessory parts. Use of other than designated parts may damage this unit internally or may not securely install the unit in place. This may cause parts to become loose resulting in hazards or product failure.

ARRANGE THE WIRING SO IT IS NOT CRIMPED OR PINCHED BY A SHARP METAL EDGE.

Route the cables and wiring away from moving parts (like the seat rails) or sharp or pointed edges. This will prevent crimping and damage to the wiring. If wiring passes through a hole in metal, use a rubber grommet to prevent the wires insulation from being cut by the metal edge of the hole.

DO NOT INSTALL IN LOCATIONS WITH HIGH MOISTURE OR DUST.

Avoid installing the unit in locations with high incidence of moisture or dust. Moisture or dust that penetrates into this unit may result in product failure.

Precautions

- Be sure to disconnect the cable from the (-) battery post before installing your CVA-1003. This will reduce any chance of damage to the unit in case of a short-circuit.
- Be sure to connect the color coded leads according to the diagram. Incorrect connections may cause the unit to malfunction or damage to the vehicle's electrical system.
- When making connections to the vehicle's electrical system, be aware of the factory installed components (e.g. on-board computer). Do not tap into these leads to provide power for this unit. When connecting the CVA-1003 to the fuse box, make sure the fuse for the intended circuit of the CVA-1003 has the appropriate amperage. Failure to do so may result in damage to the unit and/or the vehicle. When in doubt, consult your ALPINE dealer.
- The CVA-1003 uses female RCA-type jacks for connection to other units (e.g. amplifier) having RCA connectors. You may need an adaptor to connect other units. If so, please contact your authorized ALPINE dealer for assistance.
- Be sure to connect the speaker (-) leads to the speaker (-) terminal. Never connect left and right channel speaker cables to each other or to the vehicle body.

IMPORTANT

Please record the serial number of your unit in the space provided below and keep it as a permanent record. The serial number plate is located on the bottom of the unit.

SERIAL NUMBER: _____
INSTALLATION DATE: _____
INSTALLATION TECHNICIAN: _____
PLACE OF PURCHASE: _____

Installation and Connections

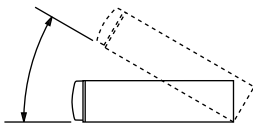
Installation

3

Installing the Monitor

• Location

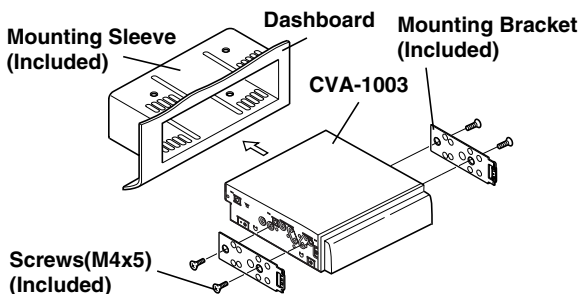
Before final installation, make sure the display will not hamper gear shifting when it is opened and closed in the chosen location.



NOTE

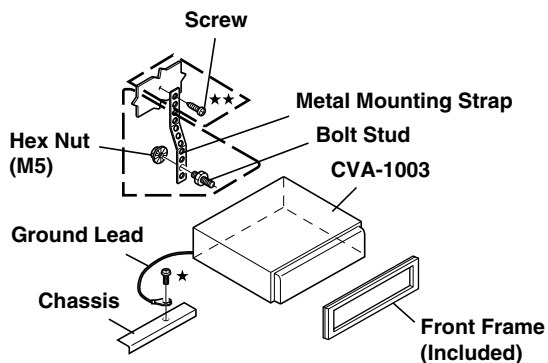
Install at an angle within 30 degrees from horizontal.

1



Slide mounting sleeve from main unit (see Removal Procedure below). Slide the mounting sleeve into the dashboard. Install the supplied bracket to the monitor.

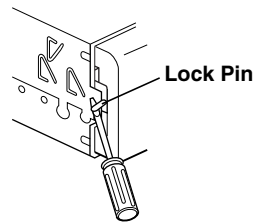
2



Reinforce the monitor with the metal mounting strap (not supplied). Secure the ground lead of the unit to a clean metal spot using a screw (★) already attached to the vehicle's chassis.

NOTE

For the screw marked ★★, use an appropriate screw for the chosen mounting location.



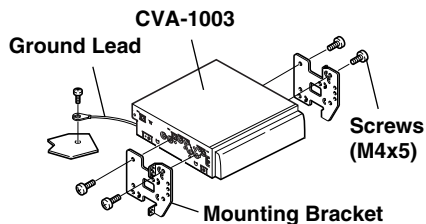
Slide the CVA-1003 into the dashboard. When the unit is in place, make sure the locking pins are fully seated in the down position. This can be done by pressing firmly in on the unit while pushing the locking pin down with a small screwdriver. This ensures that the unit is properly locked and will not accidentally come out from the dashboard. Install the Supplied Front Frame.

Removal

- 1 Use a small screwdriver (or similar tool) to push the locking pins to the "up" position (see above drawing). As each pin is unlocked, gently pull out on the unit to make sure it does not re-lock before unlocking the second pin.
- 2 Pull the unit out, keeping it unlocked as you do so.

<JAPANESE CAR>

Installation using the vehicle's factory brackets.



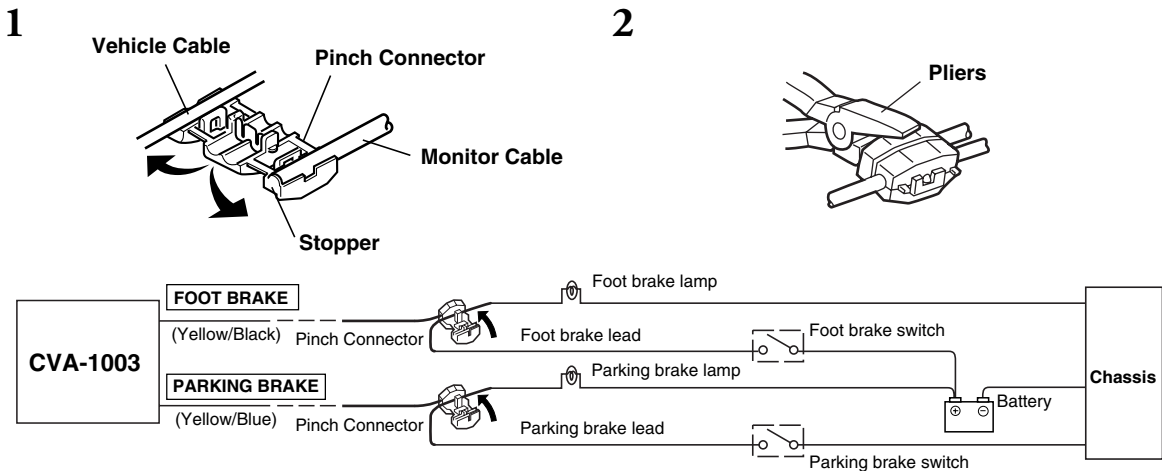
Installation and Connections

To prevent external noise from entering the audio system.

- Locate the unit and route the leads at least 10 cm away from the car harness.
- Keep the battery power leads as far away from other leads as possible.
- Connect the ground lead securely to a bare metal spot (remove any paint, dirt or grease if necessary) of the car chassis.
- If you add an optional noise suppressor, connect it as far away from the unit as possible. Your Alpine dealer carries various noise suppressors, contact them for further information.
- Your Alpine dealer knows best about noise prevention measures so consult your dealer for further information.

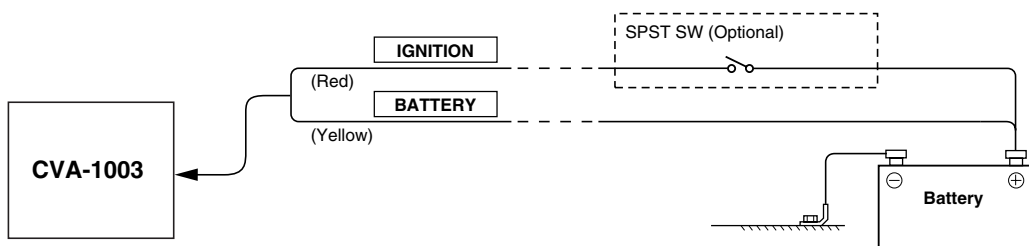
Foot Brake Lead/Parking Brake Lead Connection

If necessary, use a pinch connector to connect the foot brake lead, parking brake lead, etc.



Connection Diagram of SPST Switch (Sold Separately)

(If the ACC power supply is not available)

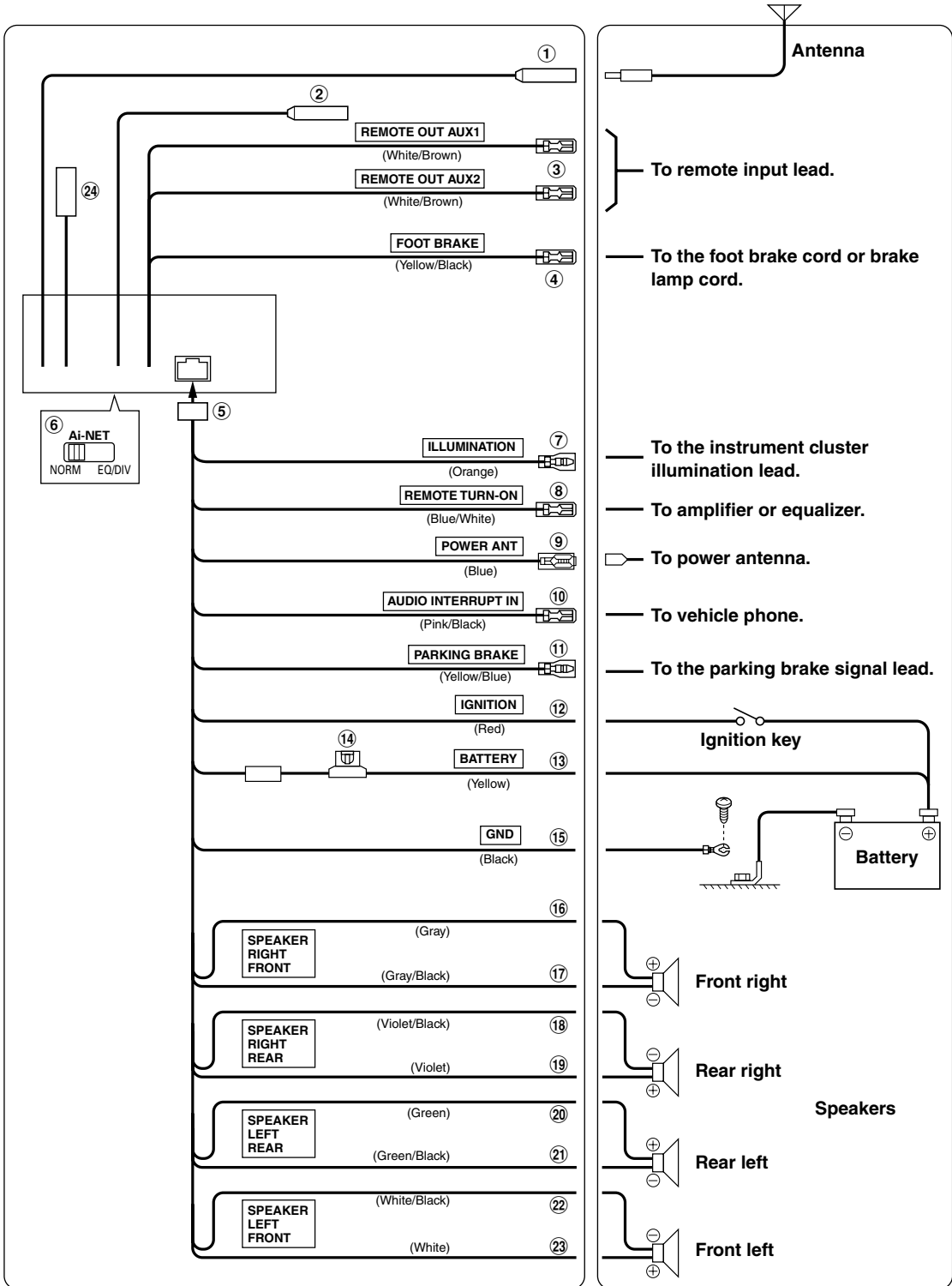


NOTE

If your vehicle has no ACC power supply, add an SPST (Single-Pole, Single-Throw) switch (sold separately). If the switched power (ignition) lead of the CVA-1003 is connected directly to the positive (+) post of the vehicle's battery, the CVA-1003 draws some current (several hundred milliamperes) even when its switch is placed in the OFF position and the battery may be discharged.

Installation and Connections

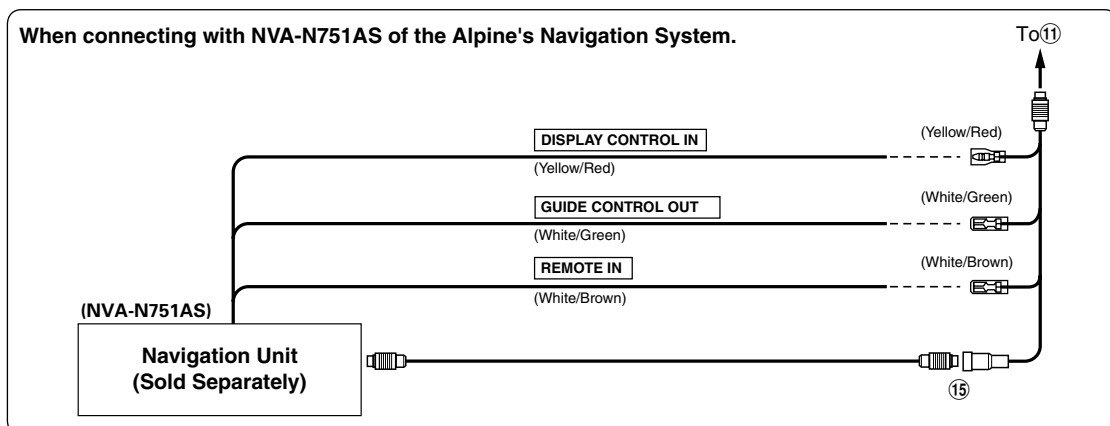
Basic Connections



Installation and Connections

- ① Antenna Receptacle
- ② Remote Control Interface Connector
Connect to the remote control interface box.
- ③ Remote Control Output Lead (White/Brown)
Connect this lead to the remote control input lead. This lead outputs the controlling signals from the remote control.
- ④ Foot Brake Lead
Connect to the vehicle's foot brake lead or brake lamp lead.
- ⑤ Power Supply Connector
- ⑥ System Switch
When connecting an equalizer or divider using Ai-NET feature, place this switch in the EQ/DIV position. When no device is connected, leave the switch in the NORM position.
NOTE
Be sure turn the power off to the unit before changing the switch position.
- ⑦ Illumination Lead (Orange)
This lead may be connected to the vehicle's instrument cluster illumination lead. This will allow the backlighting of the CVA-1003 to dim whenever the vehicle's lights are turned on.
- ⑧ Remote Turn-On Lead (Blue/White)
Connect this lead to the remote turn-on lead of your amplifier or signal processor.
- ⑨ Power Antenna Lead (Blue)
Connect this lead to the +B terminal of your power antenna, if applicable.
- ⑩ Audio Interrupt In Lead (Pink/Black)
- ⑪ Parking Brake Lead (Yellow/Blue)
Connect this lead to the power supply side of the parking brake switch to transmit the parking brake status signals to the CVA-1003.
- ⑫ Switched Power Lead (Ignition) (Red)
Connect this lead to an open terminal on the vehicle's fuse box or another unused power source which provides (+) 12V only when the ignition is turned on or in the accessory position.
- ⑬ Battery Lead (Yellow)
Connect this lead to the positive (+) post of the vehicle's battery.
- ⑭ Fuse Holder (15A)
- ⑮ Ground Lead (Black)
Connect this lead to a good chassis ground on the vehicle. Make sure the connection is made to bare metal and is securely fastened using the sheet metal screw provided.
- ⑯ Right Front (+) Speaker Output Lead (Gray)
- ⑰ Right Front (-) Speaker Output Lead (Gray/Black)
- ⑱ Right Rear (-) Speaker Output Lead (Violet/Black)
- ⑲ Right Rear (+) Speaker Output Lead (Violet)
- ⑳ Left Rear (+) Speaker Output Lead (Green)
- ㉑ Left Rear (-) Speaker Output Lead (Green/Black)
- ㉒ Left Front (-) Speaker Output Lead (White/Black)
- ㉓ Left Front (+) Speaker Output Lead (White)
- ㉔ RGB input Connector

Installation and Connections

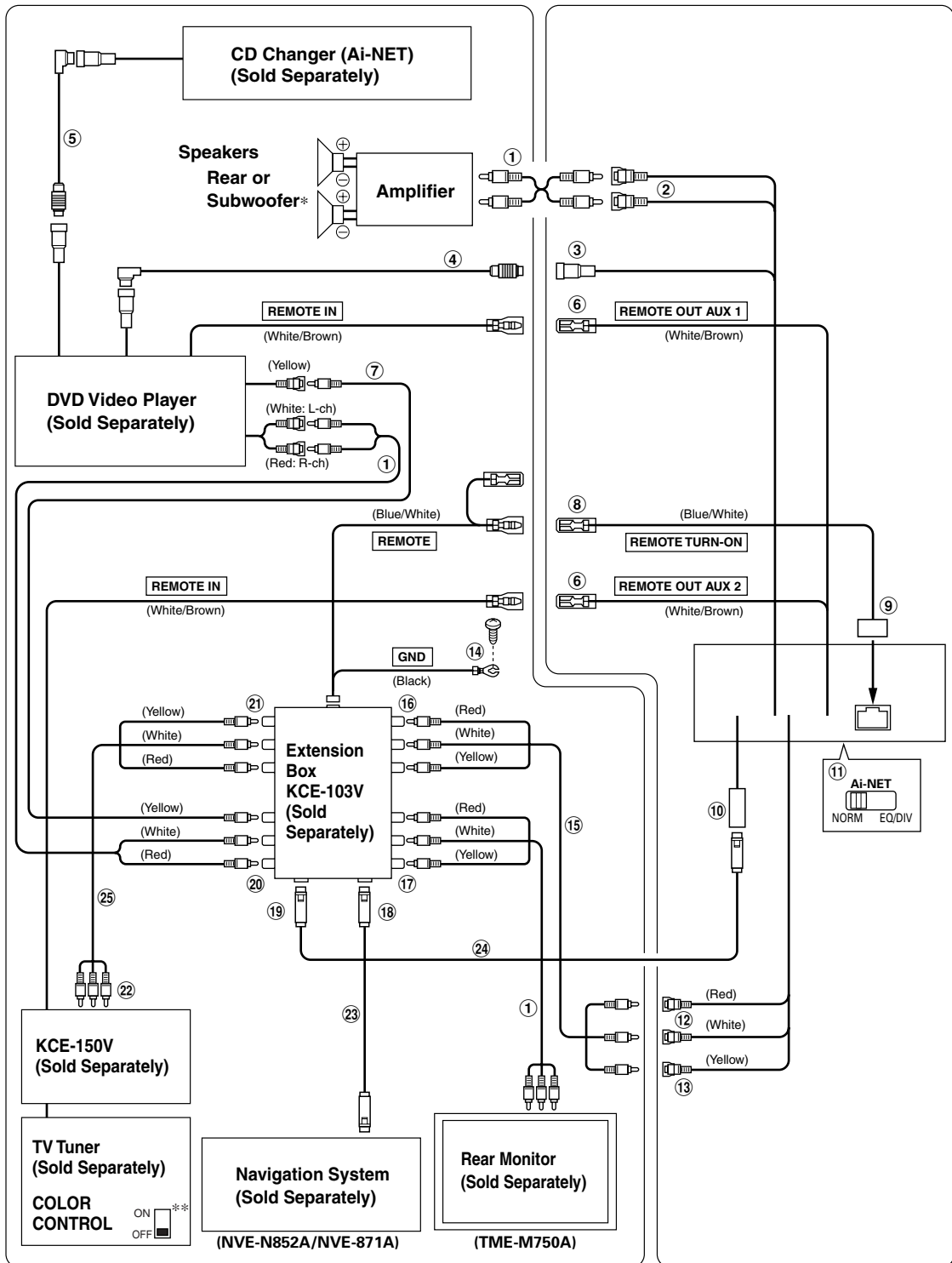


- ① Rear/Subwoofer Output RCA Connectors
RED is right and WHITE is left.
 - ② RCA Extension Cable (Sold Separately)
 - ③ RGB Cable (Included with NVE-N852, not included with NVE-N871A)
 - ④ Ai-NET Connector
Connect this to the output or input connector of other product equipped with Ai-NET.
 - ⑤ Ai-NET Cable (Included with DVD video player)
 - ⑥ System Switch
When connecting an equalizer or divider using Ai-NET feature, place this switch in the EQ/DIV position. When no device is connected, leave the switch in the NORM position.
- NOTE**
Be sure turn the power off to the unit before changing the switch position.
- ⑦ AUX Video Input (AUX1) Connector
Connect the video output lead of a DVD video player or DVD changer to this terminal.
 - ⑧ AUX Audio Input (AUX1) Connectors
(not used for this system)
 - ⑨ Remote Control Output Lead (White/Brown)
Connect this lead to the remote control input lead. This lead outputs the controlling signals from the remote control.
 - ⑩ RCA Extension Cable (Included with DVD video player)
 - ⑪ RGB Input Connector
Connect to the RGB output terminal of the navigation system.
 - ⑫ Ai-NET Cable (Included with CD Changer)
 - ⑬ Ai-NET Cable (Included with DVD Changer)
 - ⑭ RCA Extension Cable (Included with DVD Changer)
 - ⑮ RGB Converter Cable (KWE-503N) (Sold Separately)

Installation and Connections

System Example 2 (connecting to KCE-103V (Optional)):

Refer also to Basic Connections.



* When Subwoofer is set to OFF: Output is from Rear speakers.

When Subwoofer is set to ON: Output is from Subwoofer.

For details on how to set the Subwoofer to ON/OFF, see "Subwoofer Control On and OFF" on page 38.

** Set the color control of TV Tuner to OFF.

Installation and Connections

- ① RCA Extension Cable (Sold Separately)
- ② Rear/Subwoofer Output RCA Connectors
RED is right and WHITE is left.
- ③ Ai-NET Connector
Connect this to the output or input connector of other product equipped with Ai-NET.
- ④ Ai-NET Cable (Included with DVD video player)
- ⑤ Ai-NET Cable (Included with CD Changer)
- ⑥ Remote Control Output Lead (White/Brown)
Connect this lead to the remote control input lead.
This lead outputs the controlling signals from the remote control.
- ⑦ RCA Extension Cable (Included with DVD video player)
- ⑧ Remote Turn-On Lead (Blue/White)
Connect this lead to the remote turn-on lead of your amplifier or signal processor.
- ⑨ Power Supply Connector
- ⑩ RGB Input Connector
Connect to the RGB output terminal of the KCE-103V.
- ⑪ System Switch
When connecting an equalizer or divider using Ai-NET feature, place this switch in the EQ/DIV position. When no device is connected, leave the switch in the NORM position.
- ⑫ AUX Audio Input (AUX1) Connectors
- ⑬ AUX Video Input (AUX1) Connector
- ⑭ Ground Lead (Black)
Connect this lead to a good chassis ground on the vehicle. Make sure the connection is made to bare metal and is securely fastened using the sheet metal screw provided.
- ⑮ RCA Extension Cable (Included with KCE-103V)
- ⑯ Connect to the AUX Input (AUX1) Connectors of the CVA-1003
- ⑰ To AUX Output Terminals of the KCE-103V
- ⑱ Connect to the RGB Terminal of the Navigation System
- ⑲ Connect to the RGB Input Terminal of the CVA-1003
- ⑳ To AUX Input1 Terminals of the KCE-103V
- ㉑ To AUX Input2 Terminals of the KCE-103V
- ㉒ To Video Output Terminals
- ㉓ RGB Cable (Included with NVE-N852, not included with NVE-N871A)
- ㉔ RGB Cable (Included with KCE-103V)
- ㉕ RCA Extension Cable (Included with KCE-150V)

NOTE

Be sure turn the power off to the unit before changing the switch position.

Free Manuals Download Website

<http://myh66.com>

<http://usermanuals.us>

<http://www.somanuals.com>

<http://www.4manuals.cc>

<http://www.manual-lib.com>

<http://www.404manual.com>

<http://www.luxmanual.com>

<http://aubethermostatmanual.com>

Golf course search by state

<http://golfingnear.com>

Email search by domain

<http://emailbydomain.com>

Auto manuals search

<http://auto.somanuals.com>

TV manuals search

<http://tv.somanuals.com>