



## MP3/WMA/AAC CD Receiver

# CDA-9884

**MP3**



**AAC**



- **OWNER'S MANUAL**  
Please read before using this equipment.
- **MODE D'EMPLOI**  
Veuillez lire avant d'utiliser cet appareil.
- **MANUAL DE OPERACIÓN**  
Léalo antes de utilizar este equipo.

**ALPINE ELECTRONICS MARKETING, INC.**  
1-1-8 Nishi Gotanda,  
Shinagawa-ku,  
Tokyo 141-0031, Japan  
Phone 03-5496-8231

**ALPINE ELECTRONICS OF AMERICA, INC.**  
19145 Gramercy Place, Torrance,  
California 90501, U.S.A.  
Phone 1-800-ALPINE-1 (1-800-257-4631)

**ALPINE ELECTRONICS OF CANADA, INC.**  
777 Superstest Road, Toronto,  
Ontario M3J 2M9, Canada  
Phone 1-800-ALPINE-1 (1-800-257-4631)

**ALPINE ELECTRONICS OF AUSTRALIA PTY. LTD.**  
161-165 Princes Highway, Hallam  
Victoria 3803, Australia  
Phone 03-8787-1200

**ALPINE ELECTRONICS GmbH**  
Frankfurter Ring 117, 80807 München, Germany  
Phone 089-32 42 640

**ALPINE ELECTRONICS OF U.K. LTD.**  
Alpine House  
Fletchamstead Highway, Coventry CV4 9TW, U.K.  
Phone 0870-33 33 763

**ALPINE ELECTRONICS FRANCE S.A.R.L.**  
(RCS PONTOISE B 338 101 280)  
98, Rue de la Belle Etoile, Z.I. Paris Nord II,  
B.P. 50016, 95945 Roissy Charles de Gaulle  
Cedex, France  
Phone 01-48638989

**ALPINE ITALIA S.p.A.**  
Viale C. Colombo 8, 20090 Trezzano  
Sul Naviglio (MI), Italy  
Phone 02-484781

**ALPINE ELECTRONICS DE ESPAÑA, S.A.**  
Portal de Gamarra 36, Pabellón, 32  
01013 Vitoria (Alava)-APDO 133, Spain  
Phone 945-283588

**ALPINE ELECTRONICS (BENELUX) GmbH**  
Leuvensesteenweg 510-B6,  
1930 Zaventem, Belgium  
Phone 02-725-13 15



# Contents

## Operating Instructions

### WARNING

<b>WARNING</b> .....	<b>3</b>
<b>CAUTION</b> .....	<b>3</b>
<b>PRECAUTIONS</b> .....	<b>3</b>

### Getting Started

Accessory List .....	6
Turning Power On and Off .....	6
Detaching and Attaching the Front Panel .....	6
Initial System Start-Up .....	6
Adjusting Volume .....	7
Lowering Volume Quickly .....	7
Setting the Time .....	7

### Radio

Listening to Radio .....	7
Presetting Stations Manually .....	8
Presetting Stations Automatically .....	8
Tuning to Preset Stations .....	8
Frequency Search Function .....	8
Receiving a Multicast Station (HD Radio mode only) .....	8

### CD/MP3/WMA/AAC

Playback .....	9
Repeat Play .....	9
M.I.X. (Random Play) .....	10
Searching for CD Text .....	10
File/Folder Name Search (Concerning MP3/WMA/AAC) .....	10
Quick Search .....	11
About MP3/WMA/AAC .....	11

### Sound Setting

Adjusting Subwoofer Level/Bass Level/Treble Level/Balance (Between Left and Right)/Fader (Between Front and Rear)/Defeat .....	12
Setting the Subwoofer Level .....	13

Setting the Bass Control .....	13
Setting the Bass Center Frequency.....	13
Setting the Bass Bandwidth.....	13
Setting the Bass Level .....	13
Setting the Treble Control .....	13
Setting the Treble Center Frequency.....	13
Setting the Treble Level .....	13
Adjusting the High Pass Filter .....	14
Turning Loudness On/Off .....	14
Turning Subwoofer ON/OFF .....	14
Setting the Subwoofer System .....	14

### Other Functions

Displaying the Text .....	15
Displaying Time .....	16

### SETUP

#### BLUETOOTH IN

Setting the Bluetooth Connection .....	17
--	----

#### Visual Customizing

Changing Lighting Color .....	17
Adjusting Display Contrast .....	17
Dimmer Control .....	17
Scroll Type Setting .....	17
Scroll Setting (TEXT SCROLL) .....	17
Setting the Language Font .....	17
Demonstration .....	17

#### MP3/WMA/AAC

Playing MP3/WMA/AAC Data (PLAY MODE) .....	17
---	----

#### External Device

Connecting to an External Amplifier .....	17
Turning Mute Mode On/Off (INT MUTE) .....	18
Setting the AUX+ SETUP Mode .....	18
Setting the AUX+ Level (AUX IN GAIN) .....	18
Setting the External Digital Input .....	18
Setting the AUX Mode (V-Link) .....	18
Changer Name Setting .....	18

#### HD Radio (Only when HD Radio is connected)

HD Radio Station Call Setting (STATION CALL) .....	18
Digital Seek ON/OFF Setting .....	18

### SAT Radio Receiver (Optional)

Receiving Channels with the SAT Radio Receiver (Optional) .....	19
Checking the SAT Radio ID Number .....	19

Storing Channel Presets .....	19
Receiving Stored Channels .....	20
Storing the desired Sports Team (SIRIUS only) .....	20
Storing while receiving a game broadcast ...	20
Game Alert Setup .....	20
Storing the desired Song / Artist (SIRIUS only) .....	20
Recalling the stored information (SIRIUS only) .....	21
If more than 2 Alerts are found (Blinking ALERT indicator).....	21
Canceling the stored Alert Memory (SIRIUS only) .....	21
Search Function .....	21
Category Search mode .....	21
Channel/Artist/Song Search mode .....	21
Quick Search Function .....	21
Receiving Weather or Traffic Information from SAT Radio .....	21
Instant Replay Function (SIRIUS only) .....	22
Changing the Display .....	22
Setting the Auxiliary Data Field Display (XM only) .....	22

## **iPod® (Optional)**

Playback .....	23
Searching for a desired Song .....	23
Quick Search .....	24
Direct Search Function .....	24
Select Playlist/Artist/Album/Genre/ Composer .....	24
Random Play Shuffle (M.I.X.) .....	25
Repeat Play .....	25
Displaying the Text .....	25

## **IMPRINT Operation (Optional)**

Changing MultEQ mode .....	26
Adjusting Subwoofer Level/Bass Level/Treble Level/Fader (Between Front and Rear)/ Balance (Between Left and Right) in MultEQ mode .....	26
Adjusting Sound Setting in Manual Mode .....	27
Turning Subwoofer ON/OFF .....	27
Setting the Subwoofer System .....	27
Setting the Subwoofer Phase.....	27
Setting the Subwoofer Channel (SUBW CHANNEL) .....	27

Equalizer Presets (FACTORY'S EQ) .....	27
Setting the Response Slope for the High Range Speaker (TW SETUP).....	27
Setting the Filter type.....	28
Turning Media Xpander ON/OFF .....	28
Setting the MX Level.....	28
Setting EQ mode.....	28
Setting the Time Correction Unit (T.CORR PARA) .....	28
Sound Field Adjustment (SOUND ADJUST).....	28
Adjusting the Parametric Equalizer Curve .....	28
Adjusting the Graphic Equalizer Curve .....	29
Adjusting the Time Correction .....	29
Adjusting the Crossover Settings .....	29
Storing the Sound Field Adjustment Settings .....	30
Recalling the Stored Sound Field Adjustment Settings .....	30
About Time Correction .....	31
About the Crossover .....	32
About IMPRINT .....	33

## **Changer (Optional)**

Controlling CD Changer (Optional) .....	34
Playing MP3 Files with the CD Changer (Optional) .....	34
Multi-Changer Selection (Optional) .....	34

## **Information**

In Case of Difficulty .....	35
Specifications .....	37

# **Installation and Connections**

<b>Warning</b> .....	<b>38</b>
<b>Caution</b> .....	<b>38</b>
<b>Precautions</b> .....	<b>38</b>
Installation .....	39
Connections .....	40

## **LIMITED WARRANTY**

---

---

# Operating Instructions

## WARNING

 **WARNING**

This symbol means important instructions. Failure to heed them can result in serious injury or death.

---

### DO NOT OPERATE ANY FUNCTION THAT TAKES YOUR ATTENTION AWAY FROM SAFELY DRIVING YOUR VEHICLE.

Any function that requires your prolonged attention should only be performed after coming to a complete stop. Always stop the vehicle in a safe location before performing these functions. Failure to do so may result in an accident.

---

### KEEP THE VOLUME AT A LEVEL WHERE YOU CAN STILL HEAR OUTSIDE NOISES WHILE DRIVING.

Excessive volume levels that obscure sounds such as emergency vehicle sirens or road warning signals (train crossings, etc.) can be dangerous and may result in an accident. LISTENING AT LOUD VOLUME LEVELS IN A CAR MAY ALSO CAUSE HEARING DAMAGE.

---

### MINIMIZE DISPLAY VIEWING WHILE DRIVING.

Viewing the display may distract the driver from looking ahead of the vehicle and cause an accident.

---

### DO NOT DISASSEMBLE OR ALTER.

Doing so may result in an accident, fire or electric shock.

---

### USE ONLY IN CARS WITH A 12 VOLT NEGATIVE GROUND.

(Check with your dealer if you are not sure.) Failure to do so may result in fire, etc.

---

### KEEP SMALL OBJECTS SUCH AS BATTERIES OUT OF THE REACH OF CHILDREN.

Swallowing them may result in serious injury. If swallowed, consult a physician immediately.

---

### USE THE CORRECT AMPERE RATING WHEN REPLACING FUSES.

Failure to do so may result in fire or electric shock.

---

### DO NOT BLOCK VENTS OR RADIATOR PANELS.

Doing so may cause heat to build up inside and may result in fire.

---

### USE THIS PRODUCT FOR MOBILE 12V APPLICATIONS.

Use for other than its designed application may result in fire, electric shock or other injury.

---

### DO NOT PLACE HANDS, FINGERS OR FOREIGN OBJECTS IN INSERTION SLOTS OR GAPS.

Doing so may result in personal injury or damage to the product.

 **CAUTION**

This symbol means important instructions. Failure to heed them can result in injury or material property damage.

---

### HALT USE IMMEDIATELY IF A PROBLEM APPEARS.

Failure to do so may cause personal injury or damage to the product. Return it to your authorized Alpine dealer or the nearest Alpine Service Center for repairing.

 **PRECAUTIONS**

---

#### Product Cleaning

Use a soft dry cloth for periodic cleaning of the product. For more severe stains, please dampen the cloth with water only. Anything else has the chance of dissolving the paint or damaging the plastic.

---

#### Temperature

Be sure the temperature inside the vehicle is between +60°C (+140°F) and -10°C (+14°F) before turning your unit on.

---

#### Moisture Condensation

You may notice the CD playback sound wavering due to condensation. If this happens, remove the disc from the player and wait about an hour for the moisture to evaporate.

---

#### Damaged Disc

Do not attempt to play cracked, warped, or damaged discs. Playing a bad disc could severely damage the playback mechanism.

---

#### Maintenance

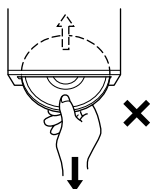
If you have problems, do not attempt to repair the unit yourself. Return it to your Alpine dealer or the nearest Alpine Service Station for servicing.

---

## Never Attempt the Following

Do not grip or pull out the disc while it is being pulled back into the player by the automatic reloading mechanism.

Do not attempt to insert a disc into the unit when the unit power is off.



---

## Inserting Discs

Your player accepts only one disc at a time for playback. Do not attempt to load more than one disc.

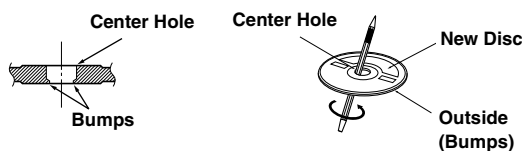
Make sure the label side is facing up when you insert the disc. "ERROR" will be displayed on your player if you insert a disc incorrectly. If "ERROR" continues to be displayed even though the disc has been inserted correctly, push the RESET switch with a pointed object such as a ballpoint pen.

Playing a disc while driving on a very bumpy road may result in skips, but this will not scratch the disc or damage the player.

---

## New Discs

To prevent the CD from jamming, "ERROR" is displayed if discs with irregular surfaces are inserted or if discs are inserted incorrectly. When a new disc is ejected immediately after initial loading, use your finger to feel around the inside of the center hole and outside edge of the disc. If you feel any small bumps or irregularities, this could inhibit proper loading of the disc. To remove the bumps, rub the inside edge of the hole and outside edge of the disc with a ballpoint pen or other such instrument, then insert the disc again.



---

## Irregular Shaped Discs

Be sure to use round shape discs only for this unit and never use any special shape discs.

Use of special shape discs may cause damage to the mechanism.



---

## Installation Location

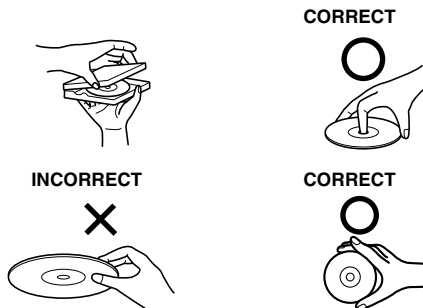
Make sure this unit will not be installed in a location subjected to:

- Direct sun and heat
- High humidity and water
- Excessive dust
- Excessive vibrations

---

## Correct Handling

Do not drop the disc while handling. Hold the disc so you will not leave fingerprints on the surface. Do not affix tape, paper, or gummed labels to the disc. Do not write on the disc.



---

## Disc Cleaning

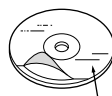
Fingerprints, dust, or soil on the surface of the disc could cause the CD player to skip. For routine cleaning, wipe the playing surface with a clean, soft cloth from the center of the disc to the outer edge. If the surface is heavily soiled, dampen a clean, soft cloth in a solution of mild neutral detergent before cleaning the disc.



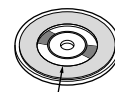
---

## Disc Accessories

There are various accessories available on the market for protecting the disc surface and improving sound quality. However, most of them will influence the thickness and/or diameter of the disc. Using such accessories can cause the disc to be out of standard specifications and may create operational problems. We recommend not using these accessories on discs played in Alpine CD players.



Transparent Sheet



Disc Stabilizer

---

## On handling Compact Discs (CD/CD-R/CD-RW)

- Do not touch the surface.
- Do not expose the disc to direct sunlight.
- Do not affix stickers or labels.
- Clean the disc when it is dusty.
- Make sure that there are no bumps around the disc.
- Do not use commercially available disc accessories.

**Do not leave the disc in the car or the unit for a long time. Never expose the disc to direct sunlight.** Heat and humidity may damage the CD and you may not be able to play it again.

## To customers using CD-R/CD-RW

- If a CD-R/CD-RW cannot be played back, make sure the last recording session was closed (finalized).
- Finalize the CD-R/CD-RW if necessary, and attempt playback again.

---

## About media that can be played

Use only compact discs with the label side showing the CD logo marks below.



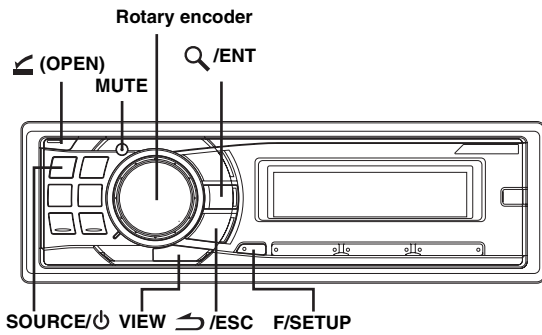
If you use unspecified compact discs, correct performance cannot be guaranteed.

You can play CD-Rs (CD-Recordables)/CD-RWs (CD-ReWritables) which have been recorded only on audio devices. You can also play CD-Rs/CD-RWs containing MP3/WMA/AAC formatted audio files.

- Some of the following CDs may not play on this unit:  
Flawed CDs, CDs with fingerprints, CDs exposed to extreme temperatures or sunlight (e.g., left in the car or this unit), CDs recorded under unstable conditions, CDs on which a recording failed or a re-recording was attempted, copy-protected CDs which do not conform to the audio CD industry standard.
- Use discs with MP3/WMA/AAC files written in a format compatible with this unit. For details, see pages 11-12.
- ROM data other than audio files contained in a disc will not produce sound when played back.

- *Windows Media and the Windows logo are trademarks, or registered trademarks of Microsoft Corporation in the United States and/or other countries.*
- *iPod is a trademark of Apple Inc., registered in the U.S. and other countries.*
- *“MPEG Layer-3 audio coding technology licensed from Fraunhofer IIS and Thomson.”*
- *“Supply of this product only conveys a license for private, non-commercial use and does not convey a license nor imply any right to use this product in any commercial (i.e. revenue-generation) real time broadcasting (terrestrial, satellite, cable and/or any other media), broadcasting/streaming via internet, intranets and/or other networks or in other electronic content distribution systems, such as pay-audio or audio-on-demand applications. An independent license for such use is required. For details, please visit <http://www.mp3licensing.com>”*
- *Manufactured under license from Audyssey Laboratories. MultEQ XT is a trademark of Audyssey Laboratories.*

# Getting Started



## Accessory List

- Head unit .....1
- Power cable .....1
- Mounting sleeve.....1
- Carrying case .....1
- Bracket key.....2
- Screw (M5 × 8).....4
- Owner's Manual ..... 1 set

## Turning Power On and Off

Press **SOURCE/⏻** to turn on the unit.

- The unit can be turned on by pressing any other button except **(OPEN)** and **VIEW**.

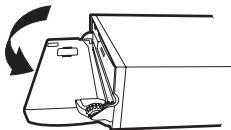
Press and hold **SOURCE/⏻** for at least 2 seconds to turn off the unit.

- The first time power is turned on, the volume will start from level 12.

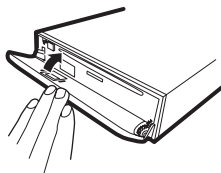
## Detaching and Attaching the Front Panel

### Detaching

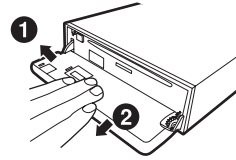
- 1 Turn off the unit power.
- 2 Press **(OPEN)** to open the front panel.



To close the front panel, press the left side until it locks as shown in the figure below.



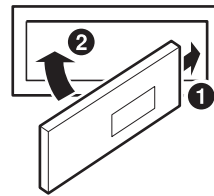
- 3 Grasp the front panel firmly, slide to the left **1**, and then pull **2** to remove.



- The front panel may become hot in normal usage (especially the connector terminals on the back of the front panel). This is not a malfunction.
- To protect the front panel, place it in the supplied carrying case.
- When detaching the front panel, do not apply excessive force as it may result in malfunction.
- Do not leave the front panel open, or drive the car with the panel open as it may result in an accident or malfunction.

### Attaching

- 1 Insert the right side of the front panel into the main unit. Align the groove on the front panel with the projections on the main unit.
- 2 Push the left side of the front panel until it locks firmly into the main unit.

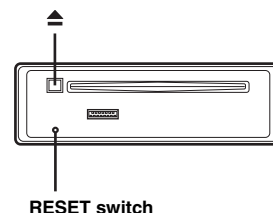


- Before attaching the front panel, make sure that there is no dirt or dust on the connector terminals and no foreign object between the front panel and the main unit.
- Attach the front panel carefully, holding the sides of the front panel to avoid pushing buttons by mistake.

## Initial System Start-Up

Be sure to press the RESET switch when using the unit for the first time, after changing the car battery, etc.

- 1 Turn off the unit power.
- 2 Press **(OPEN)** to open the front panel, and then remove it.
- 3 Press **RESET** with a ballpoint pen or similar pointed object.





## Adjusting Volume

Turn the **Rotary encoder** until the desired sound is obtained.

## Lowering Volume Quickly

Activating the Audio Mute function will instantly lower the volume level by 20 dB.

Press **MUTE** to activate the **MUTE mode**.

The audio level will decrease by about 20 dB.

Pressing **MUTE** again will bring the audio back to its previous level.

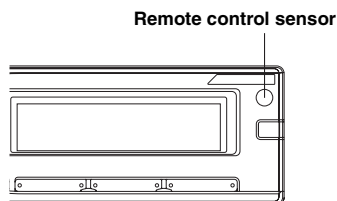
## Setting the Time

- 1 Press and hold **F/SETUP** for at least 2 seconds to activate the **SETUP selection mode**.
- 2 Turn the **Rotary encoder** to select **CLOCK ADJUST**, and then press **Q/ENT**.
- 3 Turn the **Rotary encoder** to set hour.
- 4 Press **Q/ENT**.
- 5 Repeat steps 3 and 4 above to set minute.
- 6 Press and hold **F/SETUP** for at least 2 seconds to return to normal mode.

- Pressing **↶/ESC** returns to the previous **SETUP mode**.
- If no operation is performed for 60 seconds, **SETUP** is canceled.
- To synchronize the clock to another clock/watch or radio time announcement, press and hold **Q/ENT** for at least 2 seconds after setting the "hour." Minutes will reset to 00. If the display shows over "30" minutes when you do this, the time will advance one hour.

### Controllable with Remote Control

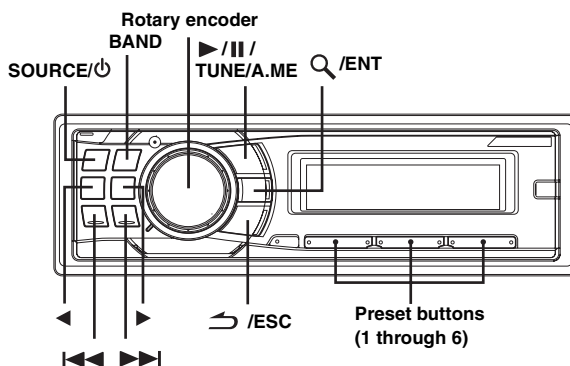
This unit can be controlled with an optional Alpine remote control. For details, consult your Alpine dealer. Point the optional remote control transmitter at the remote control sensor.



### Connectable to Remote Control Interface Box

This unit may be controlled from the vehicle's audio controls. An optional Alpine Remote Control Interface Box must be used. For details, contact your Alpine dealer.

# Radio



This unit cannot receive HD Radio™ signals (digital terrestrial radio). In order to activate the digital radio functions described below, an optional HD Radio Tuner module must be connected through the Ai-NET bus.

HD Radio™ Technology Manufactured Under License From iBiquity Digital Corporation. iBiquity Digital and the HD Radio and HD Symbols are trademarks of iBiquity Digital Corporation. U.S. and Foreign Patents.

## Listening to Radio

- 1 Press **SOURCE/⏻** to select **TUNER mode**.
  - 2 Press **BAND** repeatedly until the desired radio band is displayed.  
F1 (FM1) → F2 (FM2) → AM → F1 (FM1)
  - 3 Press **TUNE/A.ME** to select the tuning mode.  
DX SEEK (Distance mode) → SEEK (Local mode) → OFF (Manual mode) → DX SEEK (Distance mode)
- The initial mode is *Distance mode*.

### Distance mode:

Both strong and weak stations will be automatically tuned in (Automatic Seek Tuning).

### Local mode:

Only strong stations will be automatically tuned in (Automatic Seek Tuning).

### Manual mode:

The frequency is manually tuned in steps (Manual tuning).

- 4 Press **◀◀** or **▶▶** to tune in the desired station. Holding down **◀◀** or **▶▶** will change the frequency continuously.
- If *Digital Seek* is set to **ON**, the **SEEK UP/DOWN** functions only stop on digital station frequencies while receiving **HD radio**. Refer to "Digital Seek ON/OFF Setting" (page 18).

## Presetting Stations Manually

- 1 **Select the radio band and tune in a desired radio station you wish to store in the preset memory.**
- 2 **Press and hold, for at least 2 seconds, any one of the preset buttons (1 through 6) into which you wish to store the station.**

The selected station is stored.  
The display shows the band, preset number and station frequency memorized.

  - A total of 18 stations can be stored in the preset memory (6 stations for each band; FM1, FM2 and AM).
  - If you store a station in a preset memory which already has a station, the current station will be cleared and replaced with the new station.

## Presetting Stations Automatically

- 1 **Press BAND repeatedly until the desired radio band is displayed.**
- 2 **Press and hold TUNE/A.ME for at least 2 seconds.**

The frequency on the display continues to change while the automatic memory is in progress. The tuner will automatically seek and store 6 strong stations in the selected band. They will be stored into preset buttons 1 to 6 in order of signal strength.  
When the automatic memory has been completed, the tuner goes to the station stored in preset location No.1.

  - If no stations are stored, the tuner will return to the original station you were listening to before the auto memory procedure began.

## Tuning to Preset Stations

- 1 **Press BAND repeatedly until the desired band is displayed.**
- 2 **Press any one of the station preset buttons (1 through 6) that has your desired radio station in memory.**

The display shows the band, preset number and frequency of the station selected.

## Frequency Search Function

You can search for a radio station by its frequency.

- 1 **Press and hold Q/ENT for at least 2 seconds in Radio mode to activate Frequency search mode.**
- 2 **Turn the Rotary encoder to select the desired frequency.**
- 3\* **Press Q/ENT to receive the selected frequency.**

\* Operation is not required during HD Radio reception.

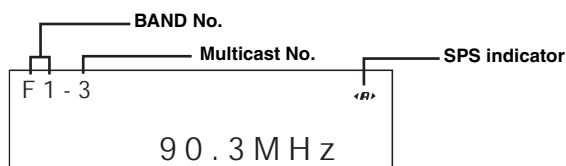
  - Press and hold ↶/ESC for at least 2 seconds in the search mode to cancel. Or, the search mode will be canceled if no operation is performed for 10 seconds.

## Receiving a Multicast Station (HD Radio mode only)

Multicasting is the Ability to broadcast multiple program streams over a single FM frequency. This increases the amount and diversity of content choices. A maximum of eight multicast station channels can be selected on this unit.

**When multicast station is received, the program number and the SPS indicator lights up. Press ◀ or ▶ to select the desired program service.**

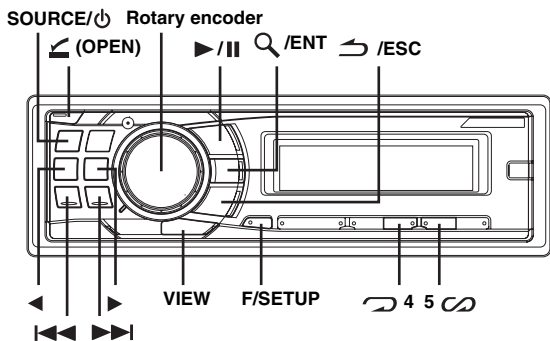
Receiving the Multicast Station Program Service.



Program Service example:

Multicast Radio Station	Program No.	Program Service
90.3 MHz	No.1	MPS: Main Program Service
90.3 MHz	No.2	SPS: Sub-program Service
90.3 MHz	No.3	SPS: Sub-program Service
90.3 MHz	No.8	SPS: Sub-program Service

# CD/MP3/WMA/AAC



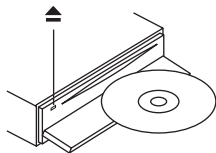
## Playback

### 1 Press ⏪ (OPEN).

The front panel will open.

### 2 Insert a disc with the label side facing up.

The disc will be pulled into the unit automatically.



Close the front panel manually and the "DISC IN" indicator light up.

When a disc is already inserted, press SOURCE/⏻ to switch to the DISC mode.

TUNER → XM RADIO/SIRIUS\*<sup>1</sup> → DISC → iPod\*<sup>2</sup>/AUX+\*<sup>3</sup> → BT AUDIO\*<sup>4</sup> → CHANGER\*<sup>5</sup> → TUNER

\*<sup>1</sup> Only when XM Radio or SIRIUS Radio is connected.

\*<sup>2</sup> Displayed only when the iPod is connected and AUX+ SETUP is set to OFF, refer to "Setting the AUX+ SETUP Mode" (page 18).

\*<sup>3</sup> Displayed only when the AUX+ SETUP is set to ON, refer to "Setting the AUX+ SETUP Mode" (page 18).

\*<sup>4</sup> Displayed only when BLUETOOTH IN is set to ADAPTE, refer to "Setting the Bluetooth Connection" (page 17).

\*<sup>5</sup> Only when the CD changer is connected.

### 3 While playing back MP3/WMA/AAC, press ◀ or ▶ to select the desired folder.

Pressing and holding ◀ or ▶ will change folders continuously.

### 4 Press ⏮ or ⏭ to select the desired track (file).

**Returning to the beginning of the current track (file):**

Press ⏮.

**Fast backward:**

Press and hold ⏮.

**Advancing to the beginning of the next track (file):**

Press ⏭.

**Fast forward:**

Press and hold ⏭.

### 5 To pause playback, press ▶/⏸.

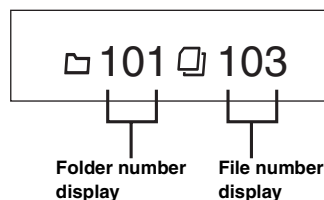
Pressing ▶/⏸ again will resume playback.

### 6 After pressing ⏪ (OPEN) to open the front panel, press ⏴ to eject the disc.

- Do not remove a CD during its eject cycle. Do not load more than one disc at a time. A malfunction may result from doing either.
- If the CD does not eject, press and hold ⏴ for at least 2 seconds.
- The "DISC IN" indicator lights up when a disc is inserted.
- The CD-player can play discs containing audio data, MP3 data, WMA data and AAC data.
- "MP3" is displayed during MP3 playback.
- "WMA" is displayed during WMA playback.
- "AAC" is displayed during AAC playback.
- WMA format files that are protected by DRM (Digital Rights Management), AAC format files that have been purchased from iTunes Music Store and files that are copy-protected (copyright protection) cannot be played back on this unit.
- The track display for MP3/WMA/AAC data playback is the file numbers recorded on the disc.
- The playback time may not be correctly displayed when a VBR (Variable Bit Rate) recorded file is played back.

### MP3/WMA/AAC Play Display

The folder number and file number will be displayed as described below.



- Press VIEW to switch the display. See "Displaying the Text" (page 15) for information about display switching.

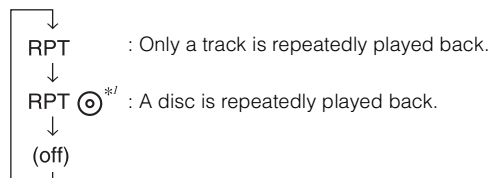
## Repeat Play

### Press ↺ 4 to play back repeatedly the track being played.

The track (file) will be played repeatedly.

Press ↺ 4 again and select off to deactivate repeat play.

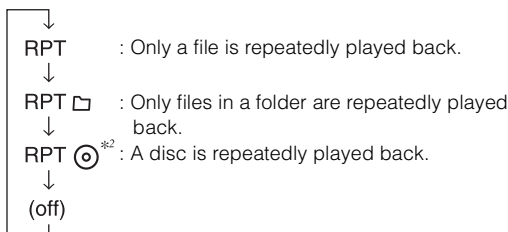
CD mode :



\*<sup>1</sup> When a CD changer is connected.

- If RPT is set to ON during M.I.X. play in CD changer mode, M.I.X. will apply to the current disc only.

MP3/WMA/AAC mode :



\*2 When an MP3 compatible CD changer is connected.

- If a CD changer or an MP3 compatible CD changer is connected: After pressing **F/SETUP** to select the function mode (RPT/M.I.X.), perform the operation within 10 seconds.

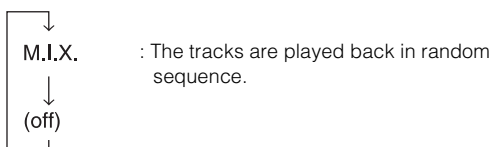
## M.I.X. (Random Play)

**Press 5** in the play or pause mode.

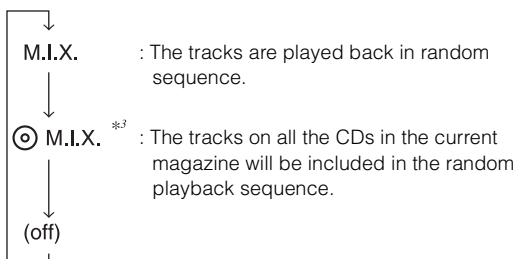
The tracks (files) on the disc will be played back in random sequence.

To cancel M.I.X. play, press 5 again.

Internal CD mode :



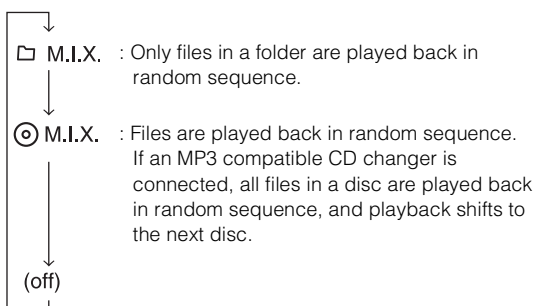
CD Changer mode :



\*3 When a CD changer equipped with the ALL M.I.X. function is connected.

- If M.I.X. is set to ON during RPT (REPEAT ALL) play in CD changer mode, M.I.X. will apply to the current disc only.

MP3/WMA/AAC mode :



- If a CD changer or an MP3 compatible CD changer is connected: After pressing **F/SETUP** to select the function mode (RPT/M.I.X.), perform the operation within 10 seconds.

## Searching for CD Text

On discs utilizing CD Text, songs can be searched and played by using their recorded titles. For discs without CD Text, searches are made using the track numbers associated with each song.

### 1 Press during play.

This will set the search mode.

### 2 Turn the **Rotary encoder** to select the desired track, and then press .

This will play the selected track.

- Press and hold for at least 2 seconds in the search mode to cancel. Or, the search mode is canceled if no operation is performed for 10 seconds.
- When CD Text Search is made during M.I.X. play, the M.I.X. play mode will be canceled.

## File/Folder Name Search (Concerning MP3/WMA/AAC)

Folder and file names may be searched and displayed during playback.

### 1 During MP3/WMA/AAC playback, press to activate the search mode.

### 2 Turn the **Rotary encoder** to select Folder Name Search mode or File Name Search mode, and then press .

#### Folder Name Search mode

### 3 Turn the **Rotary encoder** to select the desired folder.

### 4 Press and hold for at least 2 seconds to play back the first file in the selected folder.

- Press and hold for at least 2 seconds in the search mode to cancel. Or, the search mode is canceled if no operation is performed for 10 seconds.
- To search for files in the Folder Name Search mode, press . Files in the folder may be searched.
- Press to exit Folder Name Search mode in step 3 in order to select File Name Search mode.
- The root folder is displayed as “-----”.
- When Folder Name Search is made during M.I.X. play, the M.I.X. play mode will be canceled.

#### File Name Search mode

### 3 Press or to select another Folder.

### 4 Select the desired file by turning the **Rotary encoder**.

### 5 Press to play back the selected file.

- Press and hold for at least 2 seconds in the search mode to cancel. Or, the search mode is canceled if no operation is performed for 10 seconds.
- Press in the search mode to return to the previous mode.
- When File Name Search is made during M.I.X. play, the M.I.X. play mode will be canceled.

---

## Quick Search


---

You can search for tracks (files).

**1 Press and hold  /ENT for at least 2 seconds in the CD/Changer/MP3/WMA/AAC mode to activate Quick Search mode.**

**2 Turn the Rotary encoder to select a desired track (file).**

The selected track is played back immediately.

- Press and hold  /ESC for at least 2 seconds in the search mode to cancel. Or, the search mode is canceled if no operation is performed for 10 seconds.

---

## About MP3/WMA/AAC

---

### CAUTION

*Except for private use, duplicating audio data (including MP3/WMA/AAC data) or distributing, transferring, or copying it, whether for free or for a fee, without permission of the copyright holder is strictly prohibited by the Copyright Act and by international treaty.*

### What is MP3?

MP3, whose official name is "MPEG-1 Audio Layer 3," is a compression standard prescribed by the ISO, the International Standardization Organization and MPEG which is a joint activity institution of the IEC.

MP3 files contain compressed audio data. MP3 encoding is capable of compressing audio data at extremely high ratios, reducing the size of music files to as much as one-tenth their original size. This is achieved while still maintaining near CD quality. The MP3 format realizes such high compression ratios by eliminating the sounds that are either inaudible to the human ear or masked by other sounds.

### What is AAC?

AAC is the abbreviation for "Advanced Audio Coding", and is a basic format of audio compression used by MPEG2 or MPEG4.

### What is WMA?

WMA, or "Windows Media™ Audio," is compressed audio data. WMA is similar to MP3 audio data and can achieve CD quality sound with small file sizes.

### Method for creating MP3/WMA/AAC files

Audio data is compressed using software with MP3/WMA/AAC codecs. For details on creating MP3/WMA/AAC files, refer to the user's manual for that software.

MP3/WMA/AAC files that are playable on this device have the file extensions.

MP3: "mp3"

WMA: "wma" (ver. 7.1, 8 and 9 are supported)

AAC: "m4a"

There are many different versions of the AAC format. Confirm that the software being used conforms to the acceptable formats listed above. It's possible that the format may be unplayable even though the extension is valid.

Playback of AAC files encoded by iTunes is supported.

### Supported playback sampling rates and bit rates

#### MP3

Sampling rates: 48 kHz, 44.1 kHz, 32 kHz, 24 kHz, 22.05 kHz, 16 kHz, 12 kHz, 11.025 kHz, 8 kHz

Bit rates: 8 - 320 kbps

#### WMA

Sampling rates: 48 kHz, 44.1 kHz, 32 kHz

Bit rates: 48 - 192 kbps

#### AAC

Sampling rates: 48 kHz, 44.1 kHz, 32 kHz, 24 kHz, 22.05 kHz, 16 kHz, 12 kHz, 11.025 kHz, 8 kHz

Bit rates: 16 - 320 kbps

This device may not play back correctly depending on sampling rates.

### ID3 tags/WMA tags

This device supports ID3 tag v1 and v2, and WMA tag.

If tag data is in an MP3/WMA/AAC file, this device can display the title (track title), artist name, and album name ID3 tag/WMA tag data.

This device can only display single-byte alphanumeric characters (up to 30 for ID3 tags and up to 15 for WMA tags) and the underscore. For non-supported characters, the display is NO SUPPORT.

The tag information may not be correctly displayed, depending on the contents.

### Producing MP3/WMA/AAC discs

MP3/WMA/AAC files are prepared, then written to a CD-R or CD-RW using CD-R writing software. A disc can hold up to 510 files/folders (including Root Folders), and the maximum number of folders is 255.

Playback may not be performed if a disc exceeds the limitations described above.

### Media supported

The media that this device can play back are CD-ROMs, CD-Rs, and CD-RWs.

### Corresponding File Systems

This device supports discs formatted with ISO9660 Level 1 or Level 2.

Under the ISO9660 standard, there are some restrictions to remember.

The maximum nested folder depth is 8 (including the root directory). The number of characters for a folder/file name is limited.

Valid characters for folder/file names are letters A-Z (all caps), numbers 0-9, and '\_' (underscore).

This device also can play back discs in Joliet, Romeo, etc., and other standards that conform to ISO9660. However, sometimes the file names, folder names, etc., are not displayed correctly.

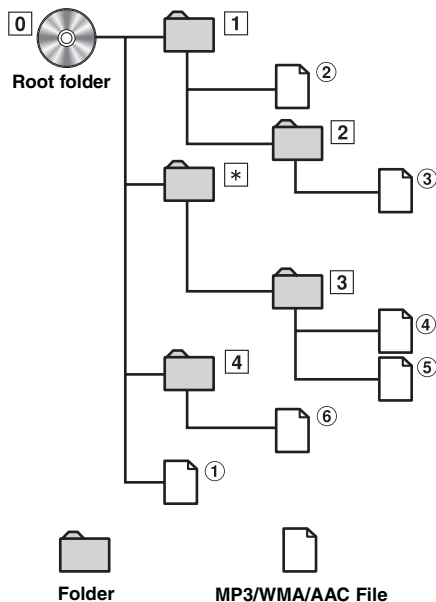
### Formats supported

This device supports CD-ROM XA, Mixed Mode CD, Enhanced CD (CD-Extra) and Multi-Session.

This device cannot correctly play back discs recorded with Track At Once or packet writing.

## Order of files

Files are played back in the order that the writing software writes them to the disc. Therefore, the playback order may not be what is expected. Verify the writing order in the software's documentation. The playback order of the folders and files is as follows.



\* The folder No./ folder Name will not be displayed if no file is contained in the folder.

## Terminology

### Bit rate

This is the "sound" compression rate specified for encoding. The higher the bit rate, the higher the sound quality, but also the larger the files.

### Sampling rate

This value shows how many times per second the data is sampled (recorded). For example, music CDs use a sampling rate of 44.1 kHz, so the sound is sampled (recorded) 44,100 times per second. The higher the sampling rate, the higher the sound quality, but also the larger the volume of data.

### Encoding

Converting music CDs, WAVE (AIFF) files, and other sound files into the specified audio compression format.

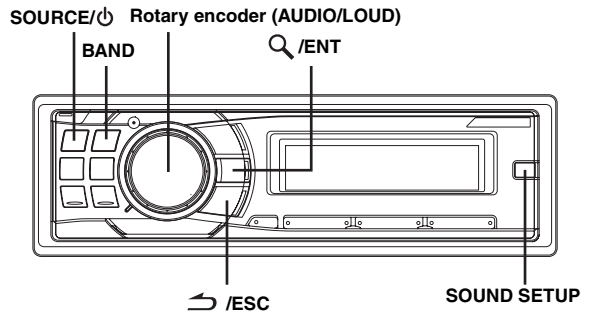
### Tag

Song information such as track titles, artist names, album names, etc., written into MP3/WMA/AAC files.

### Root folder

The root folder (or root directory) is found at the top of the file system. The root folder contains all folders and files. It is created automatically for all burned discs.

# Sound Setting



## Adjusting Subwoofer Level/Bass Level/Treble Level/Balance (Between Left and Right)/Fader (Between Front and Rear)/Defeat

### 1 Press Rotary encoder (AUDIO) repeatedly to choose the desired mode.

Each press changes the mode as follows:

SUBW LEVEL\* → BASS LEVEL → TREBLE LEVEL → BALANCE → FADER → DEFEAT → VOLUME → SUBW LEVEL

Subwoofer level: 0 ~ +15  
Bass level: -7 ~ +7  
Treble level: -7 ~ +7  
Balance: L15 ~ R15  
Fader: R15 ~ F15  
Defeat: ON/OFF  
Volume: 0 ~ 35

- If no operation is performed for 5 seconds after selecting the SUBW LEVEL, BASS LEVEL, TREBLE LEVEL, BALANCE, FADER or DEFEAT mode, the unit automatically returns to normal mode.

\* When the subwoofer mode is set to OFF, its level cannot be adjusted. Refer to "Turning Subwoofer ON/OFF" (page 14).

### 2 Turn the Rotary encoder until the desired sound is obtained in each mode.

By setting DEFEAT ON, previously adjusted settings of BASS and TREBLE will return to the factory defaults.

- Depending on the connected devices, some functions and display indications do not work.

## Setting the Subwoofer Level

You can change the Subwoofer Level to create your own tonal preference.

**1 Press SOUND SETUP to activate the Sound Setting mode.**

**2 Turn the Rotary encoder to select the SUBW LEVEL Adjustment mode, and then press Q/ENT.**

SUBW LEVEL\*<sup>1</sup> ↔ BASS\*<sup>2</sup> ↔ TREBLE\*<sup>2</sup> ↔ HPF\*<sup>2</sup>  
↔ SUBW LEVEL

**3 Turn the Rotary encoder to select the desired subwoofer level (0~+15).**

- If no operation is performed for 15 seconds, the unit will return to normal mode automatically.
- When subwoofer is set to OFF and DEFEAT is set to ON, pressing the SOUND SETUP button momentarily will not be functional.

\*<sup>1</sup> When the subwoofer mode is set to OFF, its level cannot be adjusted, refer to "Turning Subwoofer ON/OFF" (page 14).

The adjustment can also be made by pressing **Rotary encoder (AUDIO)**. Refer to "Adjusting Subwoofer Level/Bass Level/Treble Level/Balance (Between Left and Right)/Fader (Between Front and Rear)/Defeat" (page 12).

\*<sup>2</sup> The function is inoperable when DEFEAT is set to ON.

## Setting the Bass Control

You can change the Bass Frequency emphasis to create your own tonal preference.

**1 Press SOUND SETUP to activate the Sound Setting mode.**

**2 Turn the Rotary encoder to select the BASS Adjustment mode, and then press Q/ENT.**

SUBW LEVEL\*<sup>3</sup> ↔ BASS\*<sup>4</sup> ↔ TREBLE\*<sup>4</sup> ↔ HPF\*<sup>4</sup>  
↔ SUBW LEVEL

## Setting the Bass Center Frequency

**3-1 Press BAND to select the desired bass center frequency.**

80 Hz → 100 Hz → 200 Hz → 60 Hz → 80 Hz

Emphasizes the displayed bass frequency ranges.

## Setting the Bass Bandwidth

**3-2 Press SOURCE/⏻ to select the desired bass bandwidth.**



Changes the boosted bass bandwidth to wide or narrow. A wider setting will boost a wide range of frequencies above and below the center frequency. A narrower setting will boost only frequencies near the center frequency.

## Setting the Bass Level

**3-3\*<sup>5</sup> Turn the Rotary encoder to select the desired bass level (-7~+7).**

You can emphasize or weaken the bass level.

**4 Press and hold ↶ /ESC for at least 2 seconds to return to normal mode.**

- If no operation is performed for 15 seconds, the unit will return to normal mode automatically.
- The bass level settings will be individually memorized for each source (FM, AM, CD, etc.) until the setting is changed. The bass frequency and bass bandwidth settings adjusted for one source are effective for all other sources (FM, AM, CD, etc.).
- Depending on the connected devices, some functions and display indications do not work. However, Bass Level is still adjustable if an audio processor with the Bass function is connected.
- When subwoofer is set to OFF and DEFEAT is set to ON, pressing the SOUND SETUP button momentarily will not be functional.

\*<sup>3</sup> When the subwoofer mode is set to OFF, its level cannot be adjusted. Refer to "Turning Subwoofer ON/OFF" (page 14).

\*<sup>4</sup> The function is inoperable when DEFEAT is set to ON.

\*<sup>5</sup> The adjustment can also be made by pressing **Rotary encoder (AUDIO)**. Refer to "Adjusting Subwoofer Level/Bass Level/Treble Level/Balance (Between Left and Right)/Fader (Between Front and Rear)/Defeat" (page 12).

## Setting the Treble Control

You can change the Treble Frequency emphasis to create your own tonal preference.

**1 Press SOUND SETUP to activate the Sound Setting mode.**

**2 Turn the Rotary encoder to select the TREBLE Adjustment mode, and then press Q/ENT.**

SUBW LEVEL\*<sup>6</sup> ↔ BASS\*<sup>7</sup> ↔ TREBLE\*<sup>7</sup> ↔ HPF\*<sup>7</sup>  
↔ SUBW LEVEL

## Setting the Treble Center Frequency

**3-1 Press BAND to select the desired treble center frequency.**

10.0 kHz → 12.5 kHz → 15.0 kHz → 17.5 kHz → 10.0 kHz

Emphasizes the displayed treble frequency ranges.

## Setting the Treble Level

**3-2\*<sup>8</sup> Turn the Rotary encoder to select the desired treble level (-7~+7).**

You can emphasize or weaken the treble level.

**4 Press and hold ↶ /ESC for at least 2 seconds to return to normal mode.**

- If no operation is performed for 15 seconds, the unit will return to normal mode automatically.
- The treble level settings will be individually memorized for each source (FM, AM, CD, etc.) until the setting is changed. The Treble frequency settings adjusted for one source are effective for all other sources (FM, AM, CD, etc.).

- Depending on the connected devices, some functions and display indications do not work. However, Treble Level is still adjustable if an audio processor with the Treble function is connected.
- When subwoofer is set to OFF and DEFEAT is set to ON, pressing the SOUND SETUP button momentarily will not be functional.

<sup>\*6</sup> When the subwoofer mode is set to OFF, its level cannot be adjusted. Refer to "Turning Subwoofer ON/OFF" (page 14).

<sup>\*7</sup> The function is inoperable when DEFEAT is set to ON.

<sup>\*8</sup> The adjustment can also be made by pressing **Rotary encoder (AUDIO)**. Refer to "Adjusting Subwoofer Level/Bass Level/Treble Level/Balance (Between Left and Right)/Fader (Between Front and Rear)/Defeat" (page 12).

## Adjusting the High Pass Filter

The High Pass Filter on this unit can be adjusted to suit your personal taste.

**1 Press SOUND SETUP to activate the Sound Setting mode.**

**2 Turn the Rotary encoder to select the High Pass Filter (HPF) Adjustment mode, and then press Q/ENT.**

SUBW LEVEL<sup>\*9</sup> ↔ BASS<sup>\*10</sup> ↔ TREBLE<sup>\*10</sup> ↔ HPF<sup>\*10</sup>  
↔ SUBW LEVEL

**3 Turn the Rotary encoder to select the High Pass Filter frequency.**

OFF ↔ 80 Hz ↔ 120 Hz ↔ 160 Hz

**4 Press and hold ↵ /ESC for at least 2 seconds to return to normal mode.**

- If no operation is performed for 15 seconds, the unit will return to normal mode automatically.
- When an external audio processor is connected, this setting cannot be made.
- When subwoofer is set to OFF and DEFEAT is set to ON, pressing the SOUND SETUP button momentarily will not be functional.

<sup>\*9</sup> When the subwoofer mode is set to OFF, its level cannot be adjusted. Refer to "Turning Subwoofer ON/OFF" (page 14).

<sup>\*10</sup> The function is inoperable when DEFEAT is set to ON.

## Turning Loudness On/Off

Loudness introduces a special low-and high-frequency emphasis at low listening levels. This compensates for the ear's decreased sensitivity to bass and treble sound.

**Press and hold Rotary encoder (LOUD) for at least 2 seconds to activate or deactivate the loudness mode.**

- When an external audio processor is connected, this setting cannot be made.
- The function is inoperable when DEFEAT is set to ON.

## Turning Subwoofer ON/OFF

When the subwoofer is on, you can adjust the subwoofer output level (refer to page 13).

**1 Press and hold SOUND SETUP for at least 2 seconds to activate the Subwoofer selection mode.**

**2 Turn the Rotary encoder to select the SUBWOOFER mode, and then press Q/ENT.**

SUBWOOFER ↔ SUBW SYSTEM ↔ SUBWOOFER

**3 Turn the Rotary encoder to select SUBW ON/OFF, and then press Q/ENT.**

SUBW ON (Initial setting) ↔ SUBW OFF

**4 Press and hold ↵ /ESC for at least 2 seconds to return to normal mode.**

- If no operation is performed for 15 seconds, the unit will return to normal mode automatically.

## Setting the Subwoofer System

When the subwoofer is on, you can select either System1 or System2 for the desired subwoofer effect.

**1 Press and hold SOUND SETUP for at least 2 seconds to activate the Subwoofer selection mode.**

**2 Turn the Rotary encoder to select the SUBW SYSTEM mode, and then press Q/ENT.**

SUBWOOFER ↔ SUBW SYSTEM ↔ SUBWOOFER

**3 Turn the Rotary encoder to select SUBW SYS 1 or SUBW SYS 2, and then press Q/ENT.**

Select either SYS 1 or SYS 2 for the desired subwoofer effect.

SUBW SYS 1 (Initial setting) ↔ SUBW SYS 2

SUBW SYS 1: Subwoofer level changes according to the main volume setting.

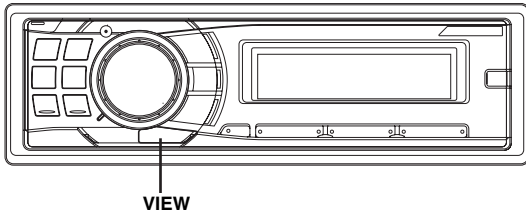
SUBW SYS 2: Subwoofer level change is different from the main volume setting. For example, even at low volume settings, the subwoofer is still audible.

**4 Press and hold ↵ /ESC for at least 2 seconds to return to normal mode.**

- If no operation is performed for 15 seconds, the unit will return to normal mode automatically.
- This function is inoperable when SUBWOOFER is set to OFF.



# Other Functions



## Displaying the Text

Text information, such as the disc name and the track name, will be displayed if playing a CD text compatible disc. It is also possible to display the folder name, the file name, and the tag, etc., while playing MP3/WMA/AAC files.

### Press **VIEW**.

The display will change every time the button is pressed.

- When the **TEXT SCROLL** is set to **SCROLL MANU**, press and hold **VIEW** for at least 2 seconds, the current text will be scrolled one time (except Radio mode).

### The display in Radio mode:

FREQUENCY → CLOCK → RADIO STATION NAME\*<sup>4/5</sup> → ARTIST NAME\*<sup>4</sup> → ALBUM NAME\*<sup>4</sup> → SONG NAME\*<sup>4</sup> → FREQUENCY

### The display in CD mode:

TRACK NO./ELAPSED TIME → TRACK NO./CLOCK → TEXT (DISC NAME)\*<sup>1</sup> → TEXT (TRACK NAME)\*<sup>1</sup> → TRACK NO./ELAPSED TIME

### The display in MP3/WMA/AAC mode:

FILE NO./ELAPSED TIME → FOLDER NO./FILE NO. → FILE NO./CLOCK → FOLDER NAME\*<sup>3</sup> → FILE NAME → ARTIST NAME\*<sup>2</sup> → ALBUM NAME\*<sup>2</sup> → SONG NAME\*<sup>2</sup> → FILE NO./ELAPSED TIME

### The display in Bluetooth Audio mode:

The Following display will be shown only when a telephone or Bluetooth Streaming device with Metadata capabilities is correctly connected with a Bluetooth Interface Module (Alpine KCE-300BT) (sold separately). For details, refer to the Owner's Manual of KCE-300BT.

PRESET NO. → PRESET NO./CLOCK → ARTIST NAME\*<sup>6</sup> → ALBUM NAME\*<sup>6</sup> → SONG NAME\*<sup>6</sup> → PRESET NO.

\*<sup>1</sup> Displayed during playback of a disc with CD Text.  
If there is no Text (Disc Name or Track Name), "DISC TEXT"/"TRACK TEXT" is displayed. "DISC TEXT"/"TRACK TEXT" is displayed for changer.

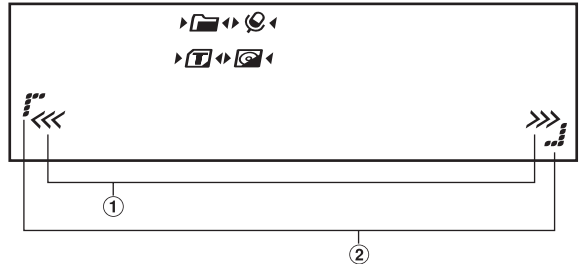
\*<sup>2</sup> ID3 tag/WMA tag  
If an MP3/WMA/AAC file contains ID3 tag/WMA tag information, the ID3 tag/WMA tag information is displayed (e.g., song name, artist name, and album name). All other tag data is ignored.  
If the Scroll Setting (page 17) is set to "SCROLL AUTO," the tag information will scroll automatically.  
If there is no tag information, "ARTIST"/"ALBUM"/"SONG" is displayed.

\*<sup>3</sup> The root folder is displayed as "FOLDER".

- \*<sup>4</sup> When an HD Radio signal is received, text information such as radio station, artist, etc., is displayed.  
If there is no text information, "ARTIST"/"ALBUM"/"SONG"/"STATION" will be displayed.
- \*<sup>5</sup> RADIO STATION NAME can be switched between "LONG" and "SHORT" in "HD Radio Station Call Setting (STATION CALL)" (page 18).
- \*<sup>6</sup> When a BT AUDIO signal is received, text information such as artist, album, song is displayed.  
If there is no text information, "ARTIST"/"ALBUM"/"SONG" will be displayed.

## About the indication display

When displaying Text, the following indicators are lit according to the mode.



- ① Blinks in search mode when the **Rotary encoder** is turned. Also Blinks when operation, such as fast forward etc., is performed.
- ② Lights up in SETUP mode.

Indicator/ Mode	CD Mode	MP3/WMA/ AAC Mode	SAT RADIO/ HD RADIO Mode	iPod/BT AUDIO Mode
	—	Folder Name being displayed	—	—
	—	Artist Name being displayed	Artist Name being displayed	Artist Name being displayed
	Text (Disc Name) being displayed	Album Name being displayed	Album Name being displayed (HD Radio only)	Album Name being displayed
	Text (Track Name) being displayed	Song Name/ File Name being displayed	Song Title/ Channel Name being displayed	Song Name being displayed
<b>CAT</b>	—	—	Category Search being displayed (XM/SIRIUS only)	—
	—	—	Alert being displayed (SIRIUS Radio only) SPS being displayed (HD Radio only)	—

## About "Text"

### Text:

Text compatible CDs contain text information such as the disc name and track name. Such text information is referred to as "text".

- Some characters may not be displayed correctly with this device, depending on the character type.
- The CD changer must also be CD Text compatible for the Text information to be displayed.
- The text or tag information may not be correctly displayed, depending on the contents.

## Displaying Time

Press **VIEW** repeatedly until the time is displayed.

Each press changes the display.

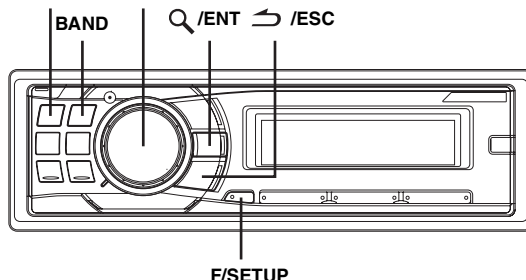
For details, see "Displaying the Text" (page 15).

- Selecting any tuner or CD function while in the clock priority mode will interrupt the time display momentarily. The function selected will be displayed for about 5 seconds before the time returns to the display.
- When the power is off but the ignition key is on, press **VIEW** to display or turn off the time.

# SETUP

You can flexibly customize the unit to suit your own preferences and usage. From the SETUP menu, Visual Customizing, External Device, etc., can be modified.

### SOURCE/⏻ Rotary encoder



**Use steps 1 to 4 to select one of the SETUP modes to modify. See the applicable section below for details about the selected SETUP item.**

- 1 Press and hold F/SETUP for at least 2 seconds to activate the SETUP mode.**
- 2 Turn the Rotary encoder to select the desired item, and then press Q/ENT.**

(e.g. Select POWER IC)

BLUETOOTH IN\*<sup>1</sup> ↔ ILLUMINATION ↔ LCD CONTRAST ↔ DIMMER ↔ PLAY MODE ↔ SCROLL TYPE ↔ TEXT SCROLL ↔ INT MUTE\*<sup>2</sup> ↔ CLOCK ADJUST\*<sup>3</sup> ↔ AUX+ SETUP ↔ AUX+ NAME\*<sup>4</sup> ↔ AUX IN GAIN\*<sup>4</sup> ↔ DIGITAL AUX ↔ D-AUX NAME\*<sup>5</sup> ↔ AUX IN ↔ AUX NAME\*<sup>6</sup> ↔ CHANGER NAME ↔ POWER IC ↔ LANGUAGE ↔ XM ADF\*<sup>7</sup> ↔ GAME ALERT\*<sup>8</sup> ↔ STATION CALL\*<sup>9</sup> ↔ DIGITAL SEEK\*<sup>9</sup> ↔ DEMO ↔ BLUETOOTH IN

\*<sup>1</sup> Displayed only when INT MUTE is OFF, and the mode is set to other than BT AUDIO.

\*<sup>2</sup> Displayed only when BLUETOOTH IN is OFF.

\*<sup>3</sup> Refer to "Setting the Time" (page 7).

\*<sup>4</sup> Displayed only when AUX+ SETUP is ON.

\*<sup>5</sup> Displayed only when DIGITAL AUX is ON.

\*<sup>6</sup> Displayed only when AUX IN is ON.

\*<sup>7</sup> When XM is connected, refer to "Setting the Auxiliary Data Field Display (XM only)" (page 22).

\*<sup>8</sup> When SIRIUS is connected, refer to "Game Alert Setup" (page 20).

\*<sup>9</sup> When HD Radio is connected.

- 3 Turn the Rotary encoder to change the setting, and then press Q/ENT.**

(e.g. Select POWER IC ON or POWER IC OFF)

- 4 Press and hold F/SETUP for at least 2 seconds to return to normal mode.**

- Pressing ↶ /ESC returns to the previous SETUP mode.
- If no operation is performed for 60 seconds, SETUP is canceled.

## BLUETOOTH IN

### Setting the Bluetooth Connection

#### **BT IN ADAPTE / BT IN OFF (Initial Setting)**

If an optional Bluetooth Box (KCE-300BT) is connected, you can place a hands-free call by a Bluetooth- equipped mobile phone. Make this setting when the Bluetooth Box (KCE-300BT) is connected and the Bluetooth function is used. For details, refer to the Owner's Manual of the optional Bluetooth Box (KCE-300BT). Set ADAPTE when the Bluetooth Box (KCE-300BT) is connected.

- *PHONE/VOICE DIAL button can be used only when an optional Bluetooth Box (KCE-300BT) is connected.*

## Visual Customizing

### Changing Lighting Color

#### **ILLUMI TYPE1 (initial setting) / ILLUMI TYPE2**

You can change the lighting color of the following six buttons. SOURCE/⏻, BAND, ◀, ▶, ◀◀, ▶▶.

TYPE1: When the color of the six buttons is blue, the color of the other is red.

TYPE2: When the color of the six buttons is red, the color of the other is red.

### Adjusting Display Contrast

#### **CONTRAST**

You can adjust the display contrast for better visibility.

You can adjust in a range of -5 and +3.

- *The initial setting at the factory is "0".*

### Dimmer Control

#### **DIMMER AUTO (Initial setting) / DIMMER MANU**

Set the DIMMER control to AUTO to decrease the illumination brightness of the unit with the head lights of the vehicle ON. This mode is useful if you feel the unit's backlighting is too bright at night.

### Scroll Type Setting

#### **SCROLL TYPE1 / SCROLL TYPE2 (Initial setting)**

Choose from two scrolling methods. Select the type you prefer.

SCROLL TYPE1: The characters scroll from right to left, one character at a time.

SCROLL TYPE2: Words are built up from left to right, a single character at a time. When the display is full, it is cleared and the subsequent words are displayed the same way until all words of the title have been shown.

### Scroll Setting (TEXT SCROLL)

#### **SCROLL AUTO / SCROLL MANU (Initial setting)**

This CD player can scroll the disc and track names recorded on CD-TEXT discs, as well as the text information of MP3/WMA/AAC files, folder names and tags.

SCROLL AUTO: CD text information, folder and file names, HD and SAT Radio text are scrolled continuously. In addition, all tag information is automatically rotated in the display continuously, without pressing the VIEW button.

SCROLL MANU: The above information is scrolled only when a disc is loaded, a channel or track is changed, etc.

- *The unit scrolls CD text names, folder names, file names or tag display.*

### Setting the Language Font

#### **LANGUAGE 1 (initial setting) / LANGUAGE 2**

Two types of font can be selected.

LANGUAGE 1: Normal font

LANGUAGE 2: European font

### Demonstration

#### **DEMO ON / DEMO OFF (Initial setting)**

This unit has a demonstration feature for the display.

- *To quit Demo mode, set to DEMO OFF.*

## MP3/WMA/AAC

### Playing MP3/WMA/AAC Data (PLAY MODE)

#### **CD-DA (Initial setting) / CD-DA&MP3**

This unit can play back CDs containing both CD and MP3 /WMA/AAC data (created in Enhanced CD (CD Extra) format). However, in some situations, playback of an enhanced CD may be difficult. In this case, you can select playback of a single session only, containing the CD data. When a disc contains both CD and MP3/WMA/AAC data, playback starts from the CD data portion of the disc.

CD-DA: Only the CD data in Session 1 can be played back.

CD-DA&MP3: CD data, MP3/WMA/AAC files in mixed mode, and multi-session discs can be played back.

- *Perform this setting before inserting a disc. If a disc has already been inserted, remove it first. (If you use an MP3 changer, you have to change discs.)*

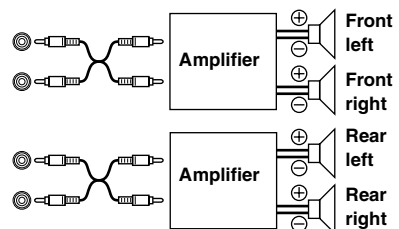
## External Device

### Connecting to an External Amplifier

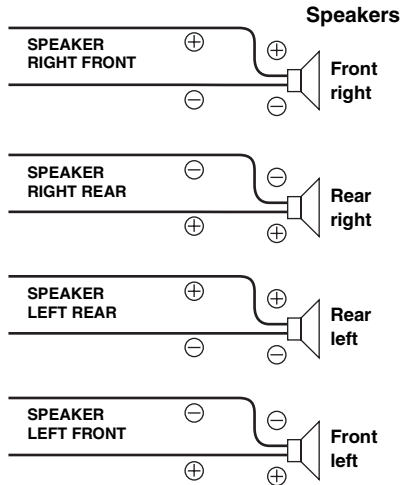
#### **POWER IC ON (Initial setting) / POWER IC OFF**

When an external amplifier is connected, sound quality can be improved by stopping the power supply of the built-in amplifier.

POWER IC OFF: Use this mode when the line output of this unit is used to drive an external amplifier. In this setting, the head unit's internal amplifier is turned OFF and can not drive speakers.



**POWER IC ON:** The speakers are driven by the built-in amplifier.



- No sound is produced by the system when the power output is set to OFF.

### Turning Mute Mode On/Off (INT MUTE) MUTE ON / MUTE OFF (Initial setting)

If a device having the interrupt feature is connected, audio will be automatically muted whenever the interrupt signal is received from the device.

### Setting the AUX+ SETUP Mode AUX+ ON / AUX+ OFF (Initial Setting)

An external device (such as a portable music player) can be connected to the iPod Direct connector of this unit. An iPod Direct/RCA Interface cable (optional) is required.

A portable music device and an iPod cannot be connected to the iPod Direct connector at the same time.

**AUX+ ON:** Set to ON when a portable device is connected. If SOURCE/⏻ is pressed and AUX+ SETUP is selected, the sound of the portable device is input to the unit.

**AUX+ OFF:** Set to OFF when an iPod is connected.

You can change the AUX+ NAME display when AUX+ SETUP is set to ON. Press Q/ENT when AUX+ SETUP is set to ON, and select AUX+ NAME by turning the Rotary encoder, then press Q/ENT. After that, turn the Rotary encoder to select the desired AUX+ NAME.

### Setting the AUX+ Level (AUX IN GAIN) LOW (Initial setting) / HIGH

After setting to ON in "Setting the AUX+ SETUP Mode", this setting can be carried out.

**LOW:** Decreases the external input audio level.  
**HIGH:** Increases the external input audio level.

### Setting the External Digital Input

#### D-AUX ON / D-AUX OFF (Initial setting)

When an ALPINE Ai-NET compatible digital audio processor (PXA-H701) and a DVD player (DVE-5207) not compatible with Ai-NET are connected, set D-AUX to ON to enjoy 5.1-channel surround sound.

You can change the D-AUX NAME display when D-AUX is set to ON. Press Q/ENT when D-AUX is set to ON, and select D-AUX NAME by turning the Rotary encoder, then press Q/ENT. After that, turn the Rotary encoder to select the desired D-AUX NAME.

- Press SOURCE/⏻, and select the DIGITAL-AUX mode, and adjust the volume, etc.
- After input selection is completed, turn the ignition off and back on again. Setting of the optical digital input switch is completed.
- Depending on the connected audio processor, DVD player sound may continue to be output, even though the source is changed to another one. If this occurs, set the DVD player's power to OFF.

### Setting the AUX Mode (V-Link)

#### AUX IN ON / AUX IN OFF (Initial setting)

You can input TV/video sound by connecting an optional Ai-NET/RCA Interface cable (KCA-121B) or Versatile Link Terminal (KCA-410C) to this component.

You can change the AUX name display when AUX IN is set to ON. Press Q/ENT when AUX IN is set to ON, and select AUX NAME by turning the Rotary encoder, and then press Q/ENT.

After that, turn the Rotary encoder to select the desired AUX name.

If the KCA-410C is connected, it is possible to select two AUX names.

- Via KCA-410C, up to 2 external devices with RCA output can be connected. In this case, press SOURCE/⏻ to select AUX mode and then press BAND to select your desired device.

### Changer Name Setting

#### CHANGER (Initial Setting) / USB / PORTABLE

This setting is used when the head unit is connected to the USB Adapter for MP3 (KCA-620M). You can set the name to be displayed on the unit depending on the device to which the USB Adapter for MP3 (KCA-620M) is connected.

## HD Radio (Only when HD Radio is connected)

### HD Radio Station Call Setting (STATION CALL)

#### SHORT (Initial setting) / LONG

In the HD Radio mode, the number of display characters for the HD Radio station name can be selected.

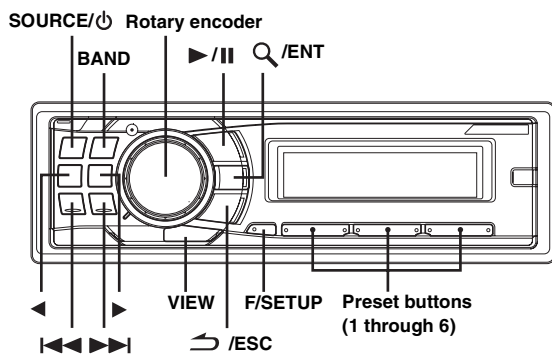
**SHORT:** 7 characters (FM)  
4 characters (AM)  
**LONG:** 56 characters

### Digital Seek ON/OFF Setting

#### DIG SEEK ON / DIG SEEK OFF (Initial Setting)

**ON:** SEEK UP/DOWN is used only for Digital Radio Station.  
**OFF:** SEEK UP/DOWN is used for all Radio Stations.

# SAT Radio Receiver (Optional)



**SAT Receiver:** XM or SIRIUS Receiver  
When an optional XM or SIRIUS Receiver Box is connected via the Ai-NET bus, the following operations may be performed. However, the XM Receiver and SIRIUS Receiver cannot be connected at the same time.

**SIRIUS Receiver:** Verify the features of the connected SIRIUS Receiver Box. Not all SIRIUS Receivers have identical functions and some may not be performed on this unit. For details about functions, refer to the SIRIUS Receiver's Owner's Manual.

## Receiving Channels with the SAT Radio Receiver (Optional)

### About SAT Radio

Satellite Radio\* is the next generation of audio entertainment, with over 100 digital audio channels. For a small monthly fee, subscribers can hear crystal-clear music, sports, news and talk, coast-to-coast via satellite. For more information, visit XM's website at [www.xmradio.com](http://www.xmradio.com), or SIRIUS' website at [www.sirius.com](http://www.sirius.com).

To receive SAT Radio, the separately sold XM Direct™ or SIRIUS Satellite Radio Tuner and an appropriate Ai-NET Interface Adapter will be required. For details, consult your nearest Alpine dealer.

\* XM and its corresponding logos are trademarks of XM Satellite Radio Inc.

\* SIRIUS and its corresponding logos are trademarks of SIRIUS Satellite Radio Inc.

• The SAT Receiver controls on this unit are operative only when a SAT Receiver is connected.

**1 Press SOURCE/⏻ to activate the SAT Radio mode.**

**2 Press BAND to select one of the three SAT Radio Preset Bands.**

Each press changes the band:

XM mode:  
X1 → X2 → X3 → X1

SIRIUS mode:  
S1 → S2 → S3 → S1

**3 Press < or > to select desired category.**

**4 Press <<< or >>> to select the desired channel.**

Holding down <<< or >>> will change channels continuously.

• When using the optional remote control (RUE-4190, etc.), an SAT Radio Channel can be directly called up with the numeric keypad of the remote control.

1 While in XM or SIRIUS Radio mode, enter the Channel number you want to call up with the numeric keypad on the remote control.

2 Press **Enter** on the remote control within 5 seconds to receive the Channel.

If the channel number is 3 digits, the Channel is automatically received after the channel number has been input.

## Checking the SAT Radio ID Number

A unique Radio ID number is required to subscribe to SAT Radio programming. Each third party XM or SIRIUS radio comes with this number.

This number is an 8 character (for XM Radio) or 12 character (for SIRIUS Radio) alphanumeric number. It is printed on a label found on the SAT Receiver.

It can also be displayed on the screen of this unit in the following way.

### XM:

**1 While receiving a SAT Radio band, press <<< or >>> to select channel "0" for XM.**

The unit displays "CH 0" for 5 seconds, then alternately displays "RADIO ID" for 2 seconds and ID number for 10 seconds.

While displaying "RADIO ID" as shown above, Demonstration (page 17) become nonfunctional.

**2 To cancel the ID number display, select the channel other than "0".**

### SIRIUS:

**1 While receiving a SAT Radio band, press <<< or >>> to select channel "255" for SIRIUS.**

**2 Press VIEW until the ID No. appears in the display.**

CHANNEL NO. → CATEGORY NAME → CHANNEL NAME → ID NO. → ID NO. → COMPOSER NAME → CLOCK → CHANNEL NO.

**3 To cancel the ID number display, set the channel to other than "255".**

• You cannot use "O", "S", "I", or "F" for the ID Number (XM Radio Receiver only).

• You can check the ID number printed on a label on your third party, SAT Radio Receiver package.

## Storing Channel Presets

**1 Press BAND to select the desired band you want to store.**

**2 After tuning in the desired channel, press and hold, for at least 2 seconds, any one of the preset buttons (1 through 6) into which you wish to store the channel.**

The selected station is stored.

### 3 Repeat the procedure to store up to 5 other channels onto the same band.

- To use this procedure for other bands, simply select the band desired and repeat the procedure.
- A total of 18 channels can be stored in the preset memory for either XM or SIRIUS. 6 Channels are stored in each band (X1, X2 and X3 for XM; S1, S2 and S3 for SIRIUS).
- If you store a channel in a preset memory which already has a station, the current channel will be cleared and replaced with the new one.

## Receiving Stored Channels

- 1 Press **BAND** to select the desired band.
- 2 Press the channel preset button (1 through 6) that has your desired satellite channel in memory.

## Storing the desired Sports Team (SIRIUS only)

Store a favorite team from one of the available leagues SIRIUS covers. Once stored, game times and scores for that team are announced using the interruption ALERT display while receiving other programming. To receive these announcements, refer to page 20. This function becomes effective after performing the following two operations.

### Storing while receiving a game broadcast

- 1 Select the channel broadcasting your favorite team's game.
- 2 Press **F/SETUP** to activate the MEMORY/DELETE selection mode.
- 3 Turn the **Rotary encoder** to select the MEMORY mode, and then press **Q/ENT**.  
MEMORY ↔ DELETE ↔ MEMORY
- 4 Turn the **Rotary encoder** to select the desired team for the game being broadcast, and then press **Q/ENT**.
- 5 Turn the **Rotary encoder** to select interruption type, and then press **Q/ENT**.  
TYPE INITIAL ↔ TYPE UPDATE (Initial setting)  
  
INITIAL: The ALERT display interrupts when the game begins.  
UPDATE: The ALERT display interrupts by game progress (change of score, game result, etc.).
- 6 Press and hold **↵ /ESC** for at least 2 seconds to return to normal mode.

- If you try to store when the memory area is filled, "MEMORY FULL" is displayed. If you want to replace a team that's already been saved in step 4, turn the **Rotary encoder** to select "REPLACE YES," and then press **Q/ENT**.
- If no operation is performed for 10 seconds, the setting mode is canceled.

## Game Alert Setup

- 1 Press and hold **F/SETUP** for at least 2 seconds to enter the SETUP mode.
- 2 Turn the **Rotary encoder** to select GAME ALERT, and then press **Q/ENT**.
- 3 Turn the **Rotary encoder** to select the desired league, and then press **Q/ENT**.
- 4 Turn the **Rotary encoder** to select a team you want to store, and then press **Q/ENT**.
- 5 Turn the **Rotary encoder** to select an interruption type, and then press **Q/ENT**.  
TYPE INITIAL ↔ TYPE UPDATE (Initial setting)  
TYPE INITIAL: The ALERT display interrupts when the game begins.  
TYPE UPDATE: The ALERT display interrupts by game progress (change of score, game result, etc.).
- 6 Press and hold **F/SETUP** for at least 2 seconds to cancel the SETUP mode.

- Pressing **↵ /ESC** returns to the previous SETUP mode.
- If no operation is performed for 60 seconds, SETUP is canceled.
- In this mode, a total of 4 teams can be stored in the preset memory (one team per league).

## Storing the desired Song / Artist (SIRIUS only)

A stored song title or artist name is announced whenever a matching title or artist is found on another channel. The interruption ALERT is displayed while listening to a program on another channel. For receiving interruption information, refer to "Recalling the stored information (SIRIUS only)" (page 21).

- 1 Press **F/SETUP** to active the MEMORY/DELETE selection mode when a Song or the song of an Artist you want to store is being broadcast.
  - 2 Turn the **Rotary encoder** to select the Memory mode, and then press **Q/ENT**.  
MEMORY ↔ DELETE
  - 3 Turn the **Rotary encoder** to select the SONG MEMORY or ARTIST MEMO, and then press **Q/ENT**.
  - 4 Press and hold **↵ /ESC** for at least 2 seconds to return to normal mode.
- If you try to store when the memory area is filled, "MEMORY FULL" is displayed. If you want to replace a Song title or Artist name that's already been saved in step 3, turn the **Rotary encoder** to select "REPLACE YES," and then press **Q/ENT**.
  - If no operation is performed for 10 seconds, the setting mode is canceled.

## Recalling the stored information (SIRIUS only)

Whenever the stored sports team, song(s) or artist(s) are playing, an interruption ALERT appears in the display of the unit.

### 1 The interruption ALERT indicator is either on or blinking depending on the conditions listed below.

-  (ALERT) indicator lights: one Alert found.
-  (ALERT) indicator blinks: more than 2 Alerts found.

### If more than 2 Alerts are found (Blinking ALERT indicator)

### 2 Turn the Rotary encoder to select the desired information.

### 3 Press /ENT.

- If no operation is performed for 10 seconds, the unit returns to normal mode.
- Only a single sports team, song or artist can be displayed as an interruption ALERT. For example, both song and artist cannot be displayed as an ALERT at the same time.

## Canceling the stored Alert Memory (SIRIUS only)

### 1 During usual reception, press **F/SETUP** to active the MEMORY/DELETE selection mode.

### 2 Turn the Rotary encoder to select the Delete mode, and then press /ENT.

MEMORY ↔ DELETE ↔ MEMORY

The Memory List appears after DELETE MODE has been displayed.

### 3 Turn the Rotary encoder to select a list you want to delete, and then press /ENT.

### 4 Turn the Rotary encoder to select DELETE YES, and then press /ENT.

DELETE NO ↔ DELETE YES

Select "NO" the unit will return to the Memory List display.

### 5 Press and hold /ESC for at least 2 seconds to return to normal mode.

- If no operation is performed for 10 seconds, the setting mode is canceled.

## Search Function

You can search for programs by Category, Channel, Artist or Song.

### 1 Press /ENT in the XM or SIRIUS mode.

### 2 Turn the Rotary encoder to select Search mode, and then press /ENT.

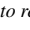

CATEGORY ↔ CHANNEL ↔ ARTIST\* ↔ SONG\* ↔ CATEGORY

\* SIRIUS Only.

## Category Search mode

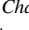
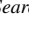


### 3 Turn the Rotary encoder to select the desired Category, and then press /ENT.

### 4 Turn the Rotary encoder to select the desired Channel Name, and then press /ENT.

- While in Category Search mode, press  /ESC to return to the selecting search mode.
- The Search mode is canceled if you press and hold  /ESC for at least 2 seconds, or no operation is performed for 10 seconds in Category Search mode.
- If ALERT interruption occurs in the search mode, the search mode is canceled.

## Channel/Artist/Song Search mode

### 3 Turn the Rotary encoder to select the desired Channel/Artist/Song Name, and then press /ENT.

- While in Channel Search mode, press  or  to select another Category.
- While in Channel/Artist/Song Search mode, press  /ESC to return to the selecting search mode.
- The Search mode is canceled if you press and hold  /ESC for at least 2 seconds, or no operation is performed for 10 seconds in Channel/Artist/Song Search mode.
- If ALERT interruption occurs in the search mode, the search mode is canceled.

## Quick Search Function

You can search for all channels in numerical order.

### 1 Press and hold /ENT for at least 2 seconds in XM or SIRIUS mode to activate Quick Search mode.

### 2 Turn the Rotary encoder to select the desired Channel within 10 seconds.

The selected Channel is received.

## Receiving Weather or Traffic Information from SAT Radio

### 1 Select the SAT Radio Channel for your local traffic/ weather information.

### 2 Press and hold /II for at least 2 seconds in the SAT mode.

The received weather or traffic channel is stored.

### 3 Press and hold **BAND** for at least 2 seconds.

The stored Weather or Traffic channel will be recalled.

### 4 Press and hold **BAND** for at least 2 seconds.

Returns to normal mode.

- Stored channels can also be recalled by pressing and holding **BAND** for at least 2 seconds.
- Channel other than Weather or Traffic can also be stored and recalled.

## Instant Replay Function (SIRIUS only)

In SIRIUS mode, the current channel is saved using the Instant Replay memory function. Use this function to pause the channel content at any time. When playback is continued, it will begin at the position it was paused. This function can be used to store up to 44 minutes of audio.

### 1 During SIRIUS reception, press ►/|| to select the Instant Replay mode.

"REPLAY MODE" is displayed, and the received station is stored.

### 2 Press ►/|| again to activate the play mode.

The stored contents are played back.

During REPLAY playback:

Fast rewind: Press and hold ◀◀◀.

Fast forward: Press and hold ▶▶▶.

Returning to the beginning of the current song: Press ◀◀◀.

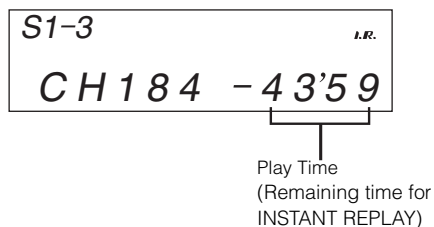
Advancing to the beginning of the next song: Press ▶▶▶.

- If you continue to press Fast forward until the end, the INSTANT REPLAY mode is canceled, and the unit will change to usual reception.

### 3 Press ↵/ESC for at least 2 seconds to cancel the INSTANT REPLAY mode.

The unit returns to usual SIRIUS broadcasting mode.

Time display example during REPLAY playback (Instant Replay Mode only)



## Changing the Display

Text information, such as the channel name, artist name/feature and song/program title, is available with each XM or Sirius channel. The unit can display this text information as explained below.

### In XM or SIRIUS mode, press VIEW.

Each time you press this button, the display changes as shown below.

CHANNEL No./(REMAINING TIME)\*1 → CATEGORY NAME →  
CHANNEL NAME → ARTIST NAME → SONG TITLE →  
COMPOSER NAME\*2 → AUXILIARY DATA FIELD\*3 →  
CLOCK → CHANNEL No./(REMAINING TIME)

\*1 Displayed only during instant replay.

\*2 SIRIUS mode only.

\*3 XM mode only:

When ADF is turned OFF, this information is not displayed (see "Setting the Auxiliary Data Field Display (XM only)" on page 22).

- When the "Scroll Setting (TEXT SCROLL)" (page 17) is set to "SCROLL AUTO", the display scrolls continuously. When the Scroll Setting is set to "SCROLL MANU", the display scrolls only once after any function is performed (PRESET, BAND, SEARCH, etc.). "CHANNEL No." and "CLOCK" displays do not scroll.
- Depending on the model, the display may differ from the one shown above.

## Setting the Auxiliary Data Field Display (XM only)

The XM Auxiliary Data Field (ADF) display can be switched on or off. There is no ADF function for the SIRIUS receiver.

### 1 Press and hold F/SETUP for at least 2 seconds to select the SETUP selection mode.

### 2 Turn the Rotary encoder to select the XM ADF mode, and then press Q/ENT.

### 3 Turn the Rotary encoder to select XM ADF ON/OFF, and then press Q/ENT.

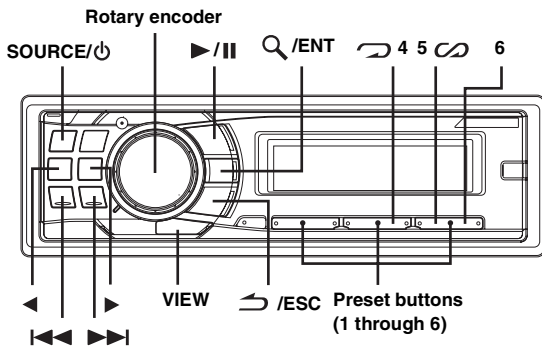
When setting to ON, Auxiliary Data Field is displayed by pressing VIEW (Refer to the "Changing the Display" section on page 22).

### 4 Press and hold F/SETUP for at least 2 seconds to return to normal mode.

- Pressing ↵/ESC returns to the previous SETUP mode.
- If no operation is performed for 60 seconds, SETUP is canceled.



# iPod® (Optional)



An iPod® can be connected to this unit by using the proprietary ALPINE FULL SPEED™ Connection Cable (KCE-422i) (sold separately). When this unit is connected by using the cable, the controls on the iPod are not functional.

- Set **AUX+ SETUP** to **OFF** when an iPod is connected (refer to "Setting the **AUX+ SETUP** Mode" on page 18).
- If the **Bluetooth Box** and an iPod are connected at the same time, be sure to disconnect the iPod from the **Bluetooth Box** while turning **ACC** to **OFF**.

## iPods usable with this unit

- The unit can be used with the fourth generation and above iPod, iPod photo, iPod mini or iPod nano. iPod Shuffle cannot be used, however.
- Touch wheel or scroll wheel type iPods without the dock connector cannot be connected to the unit.
- The unit can be used with the following iPod.
  - Fourth generation iPod
  - Fifth generation iPod
  - iPod photo
  - iPod mini
  - First generation iPod nano
  - Second generation iPod nano
- If the unit is used with iPod software versions of iTunes earlier than 7.1.0.59, correct function and performance are not guaranteed.

## Playback

### 1 Press **SOURCE/⏻** to switch to the iPod mode.

TUNER → XM RADIO/SIRIUS\*<sup>1</sup> → DISC → iPod\*<sup>2</sup>/AUX+\*<sup>3</sup> → BT AUDIO\*<sup>4</sup> → CHANGER\*<sup>5</sup> → TUNER

- \*<sup>1</sup> Only when XM Radio or SIRIUS Radio is connected.
- \*<sup>2</sup> Displayed only when the iPod is connected and **AUX+ SETUP** is set to **OFF**, refer to "Setting the **AUX+ SETUP** mode" (page 18).
- \*<sup>3</sup> Displayed only when the **AUX+ SETUP** is set to **ON**, refer to "Setting the **AUX+ SETUP** mode" (page 18).
- \*<sup>4</sup> Displayed only when **BLUETOOTH IN** is set to **ADAPTE**, refer to "Setting the **Bluetooth** Connection" (page 17).
- \*<sup>5</sup> Only when the CD changer is connected.

### 2 Press **◀◀** or **▶▶** to select the desired song.

**Return to the beginning of the current song:**

Press **◀◀**.

**Fast backward through current song:**

Press and hold **◀◀**.

**Advance to the beginning of the next song:**

Press **▶▶**.

**Fast forward through current song:**

Press and hold **▶▶**.

### 3 To pause playback, press **▶/||**.

Pressing **▶/||** again will resume playback.

- A song playing on the iPod while it is connected to this unit will continue to play from where it was paused after disconnection.
- If you listen to an episode from a selected podcast or audiobook, the episode can be changed by pressing **◀** or **▶**.
- An episode may have several chapters. The chapter can be changed by pressing **◀◀** or **▶▶**.

## Searching for a desired Song

An iPod can contain hundreds of songs. By using file tag information and keeping these songs organized in playlists, this unit's search functions will ease song searches.

Each music category has its own individual hierarchy. Use the Playlist/Artist/Album/Song/Podcast/Genre/Composer/Audiobook search mode to narrow searches based on the table below.

Hierarchy 1	Hierarchy 2	Hierarchy 3	Hierarchy 4
Playlist	Song	—	—
Artist*	Album*	Song	—
Album*	Song	—	—
Song	—	—	—
Podcast	Episode	—	—
Genre*	Artist*	Album*	Song
Composer*	Album*	Song	—
Audiobook	—	—	—

For example: Searching by Artist name

The following example explains how an ARTIST search is performed. Another search mode can be used for the same operation, although the hierarchy differs.

### 1 Press **Q/ENT** to activate the search selection mode.

### 2 Turn the **Rotary encoder** to select the Artist search mode, and then press **Q/ENT**.

PLAYLIST ↔ ARTIST ↔ ALBUM ↔ SONG ↔  
 PODCAST ↔ GENRE ↔ COMPOSER ↔ AUDIOBOOK  
 ↔ PLAYLIST

- 3 Turn the **Rotary encoder** to select the desired **Artist**, and then press **Q /ENT**.
- 4 Turn the **Rotary encoder** to select an **album**, and then press **Q /ENT**.
- 5 Turn the **Rotary encoder** to select a **song** and press **Q /ENT**.

The selected song is played back.

- After pressing and holding **Q /ENT** for at least 2 seconds while in each hierarchy (except **SONG** and **AUDIOBOOK** hierarchy), all songs of the selected hierarchy are played back.
- After selecting **[ALL]** in the search mode with **“\*”**, press and hold **Q /ENT** for at least 2 seconds to play back all songs in the iPod or selected search mode.
- While in the search mode, if you press and hold **↵ /ESC** for at least 2 seconds, or no operation is performed for 10 seconds, the search mode is canceled.
- In the search mode, pressing **↵ /ESC** will return to the previous mode.
- When search is made during **M.I.X.** play, the **M.I.X.** play mode will be canceled.
- **“NO SONG”** will be displayed if there is no song in the selected playlist in the **PLAYLIST** search mode.
- **“NO PODCAST”** will be displayed if there is no podcast data in the iPod in the **PODCAST** search mode.
- **“NO AUDIOBOOK”** will be displayed if there is no audiobook data in the iPod in the **AUDIOBOOK** search mode.
- If **“iPod name”** stored in the iPod is selected in the desired playlist search mode and **Q /ENT** is pressed, you can search for all songs in the iPod. Also, if you press and hold **Q /ENT** for at least 2 seconds, all songs in the iPod are played back.
- Depending on the iPod, podcast search is not supported.
- If any one of the **preset buttons (1 through 6)** is pressed in the search mode, a search can be made quickly by skipping to the specified location. For details, refer to **“Direct Search Function”** on page 24.

## Quick Search

You can search a song from all songs in the iPod without selecting an album, artist, etc.

- 1 Press and hold **Q /ENT** for at least 2 seconds to activate the **Quick Search mode**.
- 2 Turn the **Rotary encoder** to select a desired song. The selected song is played back immediately.

- While in the search mode, if you press and hold **↵ /ESC** for at least 2 seconds, or no operation is performed for 10 seconds, the search mode is canceled.
- If many songs are in iPod, it takes time to search for songs.
- If any one of the **preset buttons (1 through 6)** is pressed in the search mode, a search can be made quickly by skipping to the specified location. For details, refer to **“Direct Search Function”** on page 24.
- This function is inactive during **repeat (RPT)** playback.

## Direct Search Function

The unit's direct search function can be used to search for an album, song, etc., more efficiently. In **Playlist/Artist/Album/Song/Podcast/Genre/Composer/Audiobook** mode, you can quickly target any song.

**In the search mode, press any one of the preset buttons (1 through 6) to quickly skip over a designated percent of your song content.**

Song search example:

If there are 100 songs in your iPod, they are divided into 6 groups using percentages (shown below). These groups are assigned to preset buttons 1 through 6.

Example 1:

Suppose the song you are searching for is located at around the middle (50%) of your library: press button 4 to jump to the 50th song and turn the **Rotary encoder** to find the desired song.

Example 2:

Suppose the song you are searching for is located near the end (83%) of your library: press button 6 to jump to the 83rd song and turn the **Rotary encoder** to find the desired song.

		All 100 songs (100%)					
		0%	17%	33%	50%	67%	83%
Preset buttons		1	2	3	4	5	6
Songs		First song	17th song	33rd song	50th song	67th song	83rd song

## Select Playlist/Artist/Album/Genre/Composer

**Playlist/Artist/Album/Genre/Composer** can be easily changed.

For example, if you listen to a song from a selected album, the album can be changed.

Press **◀** or **▶** select the desired **Playlist/Artist/Album/Genre/Composer**.

- If the song search mode was used to select a song, this function is inactive.
- If an album is selected during an artist search, other albums by that artist are searchable.
- This function is inactive during **shuffle (M.I.X.)** playback.

---

## Random Play Shuffle (M.I.X.)

---

The Shuffle function of the iPod is displayed as M.I.X. on this unit.

### Shuffle Albums:


The songs on each album are played back in proper order. Upon completion of all the songs on the album, the next album is selected randomly. This continues until all albums have been played.

### Shuffle Songs:

Song shuffle randomly plays back songs within a selected category (playlist, album, etc.). The songs within the category are played just once until all songs have been played.

#### 1 Press 5 .

The songs are played back in random sequence.

 M.I.X. → M.I.X. → (off) →  M.I.X.  
(Shuffle Albums) (Shuffle Songs)

#### 2 To cancel M.I.X. play, select (off) with the above procedure.

- If a song is selected in the album search mode before selecting M.I.X. play, the songs will not play back randomly even when Shuffle Albums is selected.

### Shuffle ALL:

Shuffle ALL plays all songs in the iPod randomly. Any one song does not play back again until all songs have been played back.

#### 1 Press 6.

The songs are played back in random sequence.

M.I.X. → (off) → M.I.X.  
(Shuffle ALL)

#### 2 To cancel M.I.X. play, select (off) with the above procedure.

- If Shuffle ALL is selected, the selected songs being played back in the search mode are canceled.

---

## Repeat Play

---

Only Repeat One is available for the iPod.

### Repeat One:



A single song is repeatedly played back.

#### 1 Press 4.

The song is played back repeatedly.

RPT → (off) → RPT  
(Repeat One)

#### 2 To cancel repeat play, select (off) with the above procedure.

- During repeat playback, no other songs are selectable by pressing  or .

---

## Displaying the Text

---

You can display the tag information of a song in the iPod.

### Press VIEW.

Each press changes the display.

- When the TEXT SCROLL is set to MANU, press and hold VIEW for at least 2 seconds, the current text will be scrolled one time.

TRACK NO./ELAPSED TIME → TRACK NO./CLOCK →  
ARTIST NAME\* → ALBUM NAME\* → SONG NAME\* →  
TRACK NO./ELAPSED TIME

#### \* TAG information

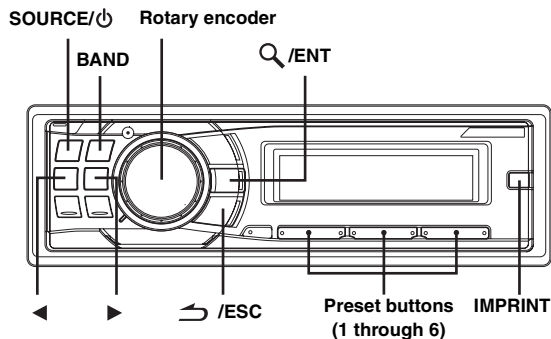
“ARTIST”/“ALBUM”/“SONG” is displayed if there is no tag information.

- Only alphanumeric characters (ASCII) can be displayed.
- If the artist, album or song name, created in iTunes, has too many characters, songs may not be played back when connected to the adapter. Therefore, a maximum of 250 characters is recommended. The maximum number of characters for the head unit is 128 (128 byte).
- Some characters may not be correctly displayed.
- “NO SUPPORT” is displayed if text information is not supported by the unit.

# IMPRINT Operation (Optional)

Alpine introduces IMPRINT - the world's first technology that thoroughly eliminates in-car acoustic problems that normally degrade sound quality, which enables us to experience music the way the artist intended, refer to "About IMPRINT" (page 33).

When the IMPRINT-BOX (PXA-H100) (sold separately) is connected to this unit, MultEQ and the following sound adjustment can be performed.



## Changing MultEQ mode

MultEQ, developed by Audyssey Labs, automatically corrects the audio for the listening environment. The system is optimized for selected positions in the vehicle. To accomplish this, MultEQ must take measurements of the vehicles response characteristics. For details on the set up procedure, consult your authorized Alpine dealer.

**Press and hold IMPRINT for at least 2 seconds to change MultEQ mode.**

MultEQ OFF (Manual Mode) → CURVE 1 (MultEQ-1) →  
CURVE 2 (MultEQ-2) → MultEQ OFF (Manual Mode)

- The Curve mode can be selected only when curve 1 and curve 2 are stored.
- When using MultEQ, MEDIAEXPANDER, MX LEV MODE, CROSSOVER, T.CORR PARA, FACTORY'S EQ, SUBW PHASE, SUBW CHANNEL, TW SETUP, EQ MODE, FILTER TYPE and PARAMETER EQ/GRAPHIC EQ are set automaticall. They are no longer user adjustable.
- When an external audio processor is connected, the MultEQ function cannot be used.

## Adjusting Subwoofer Level/Bass Level/ Treble Level/Fader (Between Front and Rear)/Balance (Between Left and Right) in MultEQ mode

You can change these settings to create your own preference in MultEQ (CURVE 1 or CURVE 2) mode.

- 1 Press **IMPRINT** to activate the MultEQ adjustment mode.
- 2 Turn the **Rotary encoder** to select the desired item, and then press **Q/ENT**.

SUBW LEVEL\*1 ↔ BASS LEVEL ↔ TREBLE LEVEL ↔  
FADER\*2 ↔ BALANCE ↔ SUBW LEVEL

- 3 Turn the **Rotary encoder** to change the setting as below, and then press **Q/ENT**.

Subwoofer level: 0 ~ +15  
Bass level: -7 ~ +7  
Treble level: -7 ~ +7  
Fader: R15 ~ F15  
Balance: L15 ~ R15

- If no operation is performed for 60 seconds after selecting the SUBW LEVEL, BASS LEVEL, TREBLE LEVEL, FADER or BALANCE mode the unit automatically returns to normal mode.
- \*1 When the SUBWOOFER mode is set to OFF, its level cannot be adjusted, and the SUBWOOFER ON/OFF cannot be adjusted in MultEQ (CURVE 1 or CURVE 2) mode.
- \*2 If you set the 2.2ch (3WAY)/4.2ch (FRONT/REAR/SUBW.) switch of the Imprint-Box (PXA-H100) to 2.2ch (3WAY), you cannot adjust the FADER mode. For details, refer to the Owner's Manual of PXA-H100.
- Depending on the connected devices, some functions and display indications do not work.

## Adjusting Sound Setting in Manual Mode

You can change these sound settings to create your own preference when the MultEQ mode is set to MULTEQ OFF (Manual Mode).

**Use steps 1 to 4 to select one of the Sound menu modes to modify. See the applicable section below for details about the selected item.**

- 1 Press IMPRINT to activate the Sound menu selection mode.**
- 2 Turn the Rotary encoder to select the desired item, and then press Q/ENT.**

SUBWOOFER ↔ SUBW SYSTEM\*<sup>1</sup> ↔ SUBW PHASE\*<sup>1</sup> ↔ SUBW CHANNEL \*<sup>1</sup> ↔ FACTORY'S EQ ↔ TW SETUP\*<sup>2</sup> ↔ FILTER TYPE ↔ MEDIAXPANDER ↔ MX LEV MODE\*<sup>3</sup> ↔ EQ MODE ↔ T.CORR PARA ↔ SOUND ADJUST\*<sup>4</sup> ↔ SUBWOOFER  
(e.g. Select SUBWOOFER)

- \*<sup>1</sup> These functions are inoperable when SUBWOOFER is set to OFF.
- \*<sup>2</sup> This function can be operable only when PXA-H100 (sold separately) is connected and 2.2ch (3WAY) mode is set. For details, refer to the Owner's Manual of PXA-H100.
- \*<sup>3</sup> This function is inoperable when MEDIAXPANDER is set to OFF.
- \*<sup>4</sup> In step 2, three sound adjustment items (PARAMETER EQ/ GRAPHIC EQ, T.CORRECTION, CROSSEVER) can be selected in SOUND ADJUST mode, turn the Rotary encoder to select the desired item, and then press Q/ENT to continue to step 3.

- 3 Turn the Rotary encoder to change the setting, and then press Q/ENT.**

(e.g. Select SUBW ON or SUBW OFF)

- 4 Press and hold ↵ /ESC for at least 2 seconds to return to normal mode.**

- MEDIAXPANDER FACTORY'S EQ, PARAMETER EQ/GRAPHIC EQ, EQ MODE and MX LEV MODE Adjustment are inoperable when DEFEAT is set to ON.
- Pressing ↵ /ESC returns to the previous Sound menu mode.
- If no operation is performed for 60 seconds, Sound menu mode is canceled.

### Turning Subwoofer ON/OFF

When the subwoofer is on, you can adjust the subwoofer output level (refer to page 13).

SUBW OFF ↔ SUBW ON (Initial setting)

### Setting the Subwoofer System

When the subwoofer is on, you can select either System1 or System2 for the desired subwoofer effect.

SUBW SYS 1 (Initial setting) ↔ SUBW SYS 2

SUBW SYS 1 : Subwoofer level changes according to the main volume setting.

SUBW SYS 2 : Subwoofer level change is different from the main volume setting. For example, even at low volume settings, the subwoofer is still audible.

### Setting the Subwoofer Phase

NORMAL (Initial setting) ↔ REVERSE

The subwoofer output phase is toggled SUBWOOFER NORMAL (0°) or SUBWOOFER REVERSE (180°). To adjust the level, turn the Rotary encoder.

### Setting the Subwoofer Channel (SUBW CHANNEL)

You can set the subwoofer output to stereo or monaural. Make sure to set the correct output for your subwoofer type.

STEREO (Initial setting) ↔ MONO

STEREO: Subwoofer stereo (L/R) output

MONO: Subwoofer monaural output

### Equalizer Presets (FACTORY'S EQ)

10 typical equalizer settings are preset at the factory for a variety of musical source material.

FLAT ↔ POPS ↔ ROCK ↔ NEWS ↔ JAZZ&BLUES ↔ ELEC DANCE ↔ HIP HOP&RAP ↔ EASY LISTEN ↔ COUNTRY ↔ CLASSICAL ↔ USER 1 ↔ USER 2 ↔ USER 3 ↔ USER 4 ↔ USER 5 ↔ USER 6

- By selecting USER 1 to 6, you can recall the stored preset number in "Adjusting the Graphic Equalizer Curve" (page 29) or "Adjusting the Parametric Equalizer Curve" (page 28).

### Setting the Response Slope for the High Range Speaker (TW SETUP)

"Setting the response characteristic of tweeter to FLAT in 2.2ch (3WAY) mode could damage the speaker. Make sure the Crossover cut-off is appropriate for the tweeter being used (see "Adjusting the Crossover Settings" on page 29)."

MAKER'S (Initial setting) ↔ USER'S

MAKER'S: As protection from possible speaker damage, FLAT cannot be set for the response slope of the high range speaker in 2.2ch (3WAY) mode.

USER'S: The FLAT setting is possible in 2.2ch (3WAY) mode.

## Setting the Filter type

NORMAL (Initial setting) ↔ INDIVIDUAL

**NORMAL (L=R):** Left and right speakers are adjusted equally.

**INDIVIDUAL (L/R):** Left and right speakers are individually adjusted.

## Turning Media Xpander ON/OFF

When the Media Xpander is on, you can adjust the Media Xpander level (refer to page 28).

MX OFF (Initial setting) ↔ MX ON

## Setting the MX Level

MX (MEDIAXPANDER) makes vocals or instruments sound distinct regardless of the music source. The FM radio, CD and iPod, will be able to reproduce the music clearly even in cars with a lot of road noise.

### Changing the source to which you want to apply Media Xpander.

#### **FM (MX level 1 to 3):**

The medium to high frequencies become clearer, and produces well balanced sound at all frequencies.

#### **CD (MX level 1 to 3):**

CD mode processes a large amount of data during playback. MX takes advantage of this large data quantity to reproduce a more clear, clean output.

#### **CMPM/SAT (MX level 1 to 3):**

This corrects information that was lost at the time of compression. This reproduces a well-balanced sound close to the original.

#### **DVD (Video CD)**

##### **(MOVIE MX level 1 to 2):**

The dialogue portion of a video is reproduced more clearly.

##### **(DVD MUSIC):**

A DVD or Video CD contains a large quantity of data such as music clip. MX uses this data to reproduce the sound accurately.

#### **AUX (MX level 1):**

Choose the MX mode (CMPM, MOVIE, or MUSIC) that corresponds to the media connected.

- Each music source, such as FM radio, CD, and MP3/WMA/AAC can have its own MX setting.
- On disks with both MP3/WMA/AAC and CD-DA, when the source changes from "MP3/WMA/AAC to CD-DA" or "CD-DA to MP3/WMA/AAC", MX-mode switching may delay playback slightly.
- Setting to EFFECT OFF sets MX mode of each music source to OFF.
- The function is inoperable when DEFEAT is set to ON.
- There is no MX mode for AM radio.
- If an audio processor with the MX function (PXA-H701, etc.) is connected, its own MX processing is applied to the music source. Since the processor MX settings may not match the head unit, the audio processor needs to be adjusted. For details, refer to the Owner's Manual of the audio processor.
- "CMPM" is applied for MP3/WMA/AAC and iPod.
- "SAT" is applied for XM radio and SIRIUS radio.

## Setting EQ mode

This setting gives you a choice of 5-band parametric, or 7-band graphic equalizer.

PARAMETER EQ (Initial setting) ↔ GRAPHIC EQ

PEQ: 5-band Parametric EQ

GEQ: 7-band Graphic EQ

## Setting the Time Correction Unit (T.CORR PARA)

You can change the unit, (cm or inch) of time correction.

CM (Initial setting) ↔ INCH

## Sound Field Adjustment (SOUND ADJUST)

The setting of PARAMETER EQ/GRAPHIC EQ, T.CORRECTION and CROSSOVER can be adjusted in this mode.

### Adjusting the Parametric Equalizer Curve

You can modify the Equalizer settings to create a response curve more appealing to your personal taste. To adjust the Parametric Equalizer Curve, set the EQ MODE to PARAMETER EQ. For details, refer to "Setting EQ mode" (page 28).

#### **1 After selecting PARAMETER EQ from the SOUND ADJUST mode, press BAND to select the band to be adjusted.**

B 1 → B 2 → B 3 → B 4 → B 5 → B 1

#### **2 Press ◀ or ▶ to select frequency bands.**

Adjustable frequency bands:  
20 Hz to 20 kHz (in 1/3 octave steps)

Band-1: 20 Hz~80 Hz (63 Hz)  
Band-2: 50 Hz~200 Hz (150 Hz)  
Band-3: 125 Hz~3.2 kHz (400 Hz)  
Band-4: 315 Hz~8 kHz (1 kHz)  
Band-5: 800 Hz~20 kHz (2.5 kHz)

#### **3 Turn the Rotary encoder to adjust the level.**

Adjustable level: -6 to +6 dB

#### **4 Press SOURCE/⏻ to set the bandwidth (Q).**

Adjustable bandwidth: 1, 1.5, 3

#### **5 To adjust another band, repeat steps 1 to 4 and adjust all bands.**

- The frequencies of adjacent bands cannot be adjusted within 4 steps.
- While adjusting the PARAMETER EQ, you should consider the frequency response of the connected speakers.

## Adjusting the Graphic Equalizer Curve

You can modify the equalizer settings to create a response curve more appealing to your personal taste. To adjust the graphic equalizer curve, set the EQ MODE to GRAPHIC EQ. For details, refer to "Setting EQ mode" (page 28).

- 1 After selecting **GRAPHIC EQ** from the **SOUND ADJUST** mode, press **BAND** to select the band to be adjusted.

B 1 → B 2 → B 3 → B 4 → B 5 → B 6 → B 7 → B 1

Band-1 (63 Hz) / Band-2 (150 Hz) / Band-3 (400 Hz) /  
Band-4 (1 kHz) / Band-5 (2.5 kHz) / Band-6 (6.3 kHz) /  
Band-7 (17.5 kHz)

- 2 Turn the **Rotary encoder** to adjust the level.

Adjustable output level: -6 to +6 dB

- 3 To adjust another band, repeat steps 1 and 2, and then adjust all bands.

## Adjusting the Time Correction

Before performing the following procedures, refer to "About Time Correction" (page 31).

- 1 After selecting **T.CORRECTION** from the **SOUND ADJUST** mode, press **BAND** to select a speaker to be adjusted.

### 2.2ch (3WAY) System

F-L (Initial setting) → F-R → R-L → R-R →  
(Mid-L) (Mid-R) (High-L) (High-R)  
SW-L → SW-R → F-L  
(Mid-L)

### 4.2ch (FRONT/REAR/SUBW.) System

F-L (Initial setting) → F-R → R-L → R-R →  
(Front-L) (Front-R) (Rear-L) (Rear-R)  
SW-L → SW-R → F-L  
(Front-L)

- 2 Turn the **Rotary encoder** to adjust the distance correction value. (0.0 to 336.6cm).

$L = (\text{distance to farthest speaker}) - (\text{distance to other speakers})$

Refer to "Time Correction Value List" on page 31.

- 3 Repeat steps 1 and 2 to set another speaker.

By setting these values to make its sound reach the listening position at the same time as the sound of other speakers.

## Adjusting the Crossover Settings

Before performing the following procedures, refer to "About the Crossover" (page 32).

### 2.2ch (3WAY) System

- 1 After selecting **CROSSOVER** from the **SOUND ADJUST** mode, press **BAND** to select the band to be adjusted.

#### 2.2ch (3WAY) System / NORMAL (L=R)

Setting items:

LOW / M-L / M-H / HIGH

#### 2.2ch (3WAY) System / INDIVIDUAL (L/R)

Setting items:

L-L / L-R / ML-L / ML-R / MH-L / MH-R / H-L / H-R

- 2 Press **◀** or **▶** to select the desired cut-off frequency (Crossover Point).

Adjustable frequency bands:

#### 2.2ch (3WAY) System

Setting items:

LOW / M-L 20 Hz~200 Hz

M-H 20 Hz~20 kHz

HIGH (1 kHz~20 kHz)<sup>\*1</sup>/(20 Hz~20 kHz)<sup>\*2</sup>

<sup>\*1</sup> When *Maker's* is selected, refer to "Setting the Response Slope for the High Range Speaker (TW SETUP)" (page 27).

<sup>\*2</sup> When *User's* is selected, refer to "Setting the Response Slope for the High Range Speaker (TW SETUP)" (page 27).

- 3 Press **SOURCE/⏻** to adjust the slope.

Adjustable slope: FLAT\*, 6 dB/oct., 12 dB/oct., 18 dB/oct., 24 dB/oct.

\* FLAT can be set for the HIGH slope only when *USER'S* is selected in "Setting the Response Slope for the High Range Speaker (TW SETUP)" (page 27). Depending on the response characteristics of the speaker, care should be taken when setting the response slope to FLAT, as speaker damage may result. With this unit, a message is displayed when the response slope for the high range speaker is set to FLAT.

- 4 Turn the **Rotary encoder** to adjust the output level.

Adjustable output level: -12 to 0 dB.

- 5 Repeat steps 1 to 4 to make adjustment to the other bands.

#### 4.2ch (FRONT/REAR/SUBW.) System

- 1 After selecting **CROSSOVER** from the **SOUND ADJUST** mode, press **BAND** to select the band to be adjusted.

##### 4.2ch (FRONT/REAR/SUBW.) System / NORMAL (L=R)

###### **setting items:**

LOW (SUB-W) / MID (REAR) / HIGH (FRONT)

##### 4.2ch (FRONT/REAR/SUBW.) System / INDIVIDUAL (L/R)

###### **setting items:**

L (SUB-W)-L / L (SUB-W)-R / M (REAR)-L /  
M (REAR)-R / H (FRONT)-L / H (FRONT)-R

- 2 Press **◀** or **▶** to select the desired cut-off frequency (**Crossover Point**).

Adjustable frequency bands:

##### 4.2ch (FRONT/REAR/SUBW.) System

###### **Setting items:**

20 Hz~200 Hz

- 3 Press **SOURCE/⏻** to adjust the slope.

Adjustable slope: FLAT, 6 dB/oct., 12 dB/oct., 18 dB/oct.,  
24 dB/oct.

- 4 Turn the **Rotary encoder** to adjust the output level.

Adjustable output level: -12 to 0 dB.

- 5 Repeat steps 1 to 4 to make adjustment to the other bands.

- While adjusting the **CROSSOVER**, you should consider the frequency response of the connected speakers.
- About the 2.2ch (3WAY)/4.2ch (FRONT/REAR/SUBW.) system  
You can switch to 2.2ch (3WAY)/4.2ch (FRONT/REAR/SUBW.) system mode with the 2.2ch (3WAY)/4.2ch (FRONT/REAR/SUBW.) switch on the PXA-H100. For details, refer to the Owner's Manual of PXA-H100.

#### Storing the Sound Field Adjustment Settings

The SOUND ADJUST Settings containing PARAMETER EQ/ GRAPHIC EQ, T.CORRECTION and CROSSOVER settings can be stored in the preset memory.

- 1 When the settings of SOUND ADJUST have been completed, select any one of the **preset buttons (1 through 6)** in any item of the SOUND ADJUST mode (e.g. **CROSSOVER**), press and hold the desired preset buttons for at least 2 seconds.

- 2 Turn the **Rotary encoder** to select **PROTECT YES/NO**, and then press **Q/ENT** to store the adjusted contents.

PROTECT YES (Initial setting) ↔ PROTECT NO

- If YES is selected, the adjusted contents are protected and stored into the preset buttons. When you want to store the parameter into a protected preset button, "REPLACE NO/YES" can be selected.
- If NO is selected, the preset is stored.
- While perform this operation, all adjusted contents of PARAMETER EQ/GRAPHIC EQ, T.CORRECTION and CROSSOVER will be stored in the preset buttons.
- The stored contents are not deleted even when resetting the unit or disconnecting the battery.
- The stored contents can be recalled by performing operation in "Recalling the Stored Sound Field Adjustment Settings" (page 30).

#### Recalling the Stored Sound Field Adjustment Settings

The stored SOUND ADJUST Settings contain PARAMETER EQ/ GRAPHIC EQ, T.CORRECTION and CROSSOVER settings that are stored in the preset memory.

- 1 After selecting any item of the SOUND ADJUST mode (e.g. **CROSSOVER**), press any one of the **preset buttons (1 through 6)** that has your desired characteristic in memory to recall the stored settings.

- 2 Press the **preset buttons** again to return to the SOUND ADJUST mode.

- While performing this operation, all adjustment contents of PARAMETER EQ/GRAPHIC EQ, T.CORRECTION and CROSSOVER stored in the preset buttons will be recalled.



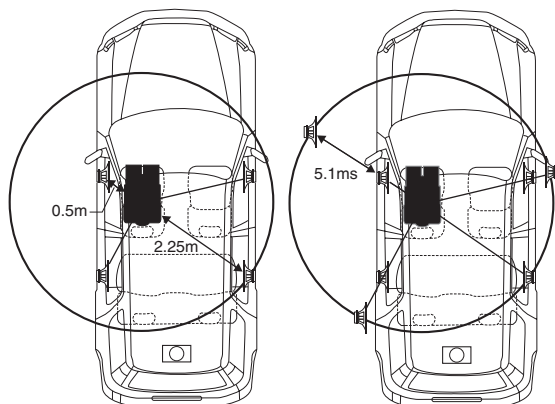
## About Time Correction

The distance between the listener and the speakers in a car vary widely due to the complex speaker placement. This difference in the distances from the speakers to the listener creates a shift in the sounds image and frequency characteristics. This is caused by the time delay between the sound reaching the listener's right versus the left ear.

To correct this, this unit is able to delay the audio signal to the speakers closest to the listener. This effectively creates a perception of increased distance for those speakers. The listener can be placed at an equal distance between the left and right speakers for optimum staging. The adjustment will be made for each speaker in 3.4cm steps.

### Example 1. Listening Position: Front Left Seat

Adjust the time correction level of the front left speaker to a high value and the rear right to zero or a low value.



The sound is not balanced because the distance between the listening position and the various speakers is different. The difference in distance between the front left speaker and the rear right speaker is 1.75 m (68-7/8"). Here we calculate the time correction value for the front left speaker in the diagram on the above.

Conditions:

Farthest Speaker – listening position : 2.25 m (88-9/16")

Front left speaker – listening position : 0.5 m (19-11/16")

Calculation:  $L = 2.25\text{ m} - 0.5\text{ m} = 1.75\text{ m}$  (68-7/8")

Time correction =  $1.75 \div 343^{*1} \times 1000 = 5.1$  (ms)

*\*1 Speed of sound: 343 m/s (765 mph) at 20°C*

In other words, giving the front left speaker a time correction value of 5.1 ms makes it seem as if its distance from the listener is the same as the distance to the farthest speaker.

Time correction eliminates the differences in the time required for the sound to reach the listening position.

The time of the front left speaker is corrected by 5.1 ms so that its sound reaches the listening position at the same time as the sound of other speakers.

### Example 2. Listening Position: All Seats

Adjust the time correction level of each speaker to almost the same level.

- 1 Sit in the listening position (driver's seat, etc.) and measure the distance (in meters) between your head and the various speakers.**
- 2 Calculate the difference between the distance correction value to the farthest speaker and the other speakers.**

$L = (\text{distance to farthest speaker}) - (\text{distance to other speakers})$

These values are the time correction values for the different speakers. Setting these values to make each sound reach the listening position at the same time as the sound of other speakers.

Time Correction Value List

Delay Number	Time Difference (ms)	Distance (cm)	Distance (inch)	Delay Number	Time Difference (ms)	Distance (cm)	Distance (inch)
0	0.0	0.0	0.0	51	5.1	173.4	68.3
1	0.1	3.4	1.3	52	5.2	176.8	69.7
2	0.2	6.8	2.7	53	5.3	180.2	71.0
3	0.3	10.2	4.0	54	5.4	183.6	72.4
4	0.4	13.6	5.4	55	5.5	187.0	73.7
5	0.5	17.0	6.7	56	5.6	190.4	75.0
6	0.6	20.4	8.0	57	5.7	193.8	76.4
7	0.7	23.8	9.4	58	5.8	197.2	77.7
8	0.8	27.2	10.7	59	5.9	200.6	79.1
9	0.9	30.6	12.1	60	6.0	204.0	80.4
10	1.0	34.0	13.4	61	6.1	207.4	81.7
11	1.1	37.4	14.7	62	6.2	210.8	83.1
12	1.2	40.8	16.1	63	6.3	214.2	84.4
13	1.3	44.2	17.4	64	6.4	217.6	85.8
14	1.4	47.6	18.8	65	6.5	221.0	87.1
15	1.5	51.0	20.1	66	6.6	224.4	88.4
16	1.6	54.4	21.4	67	6.7	227.8	89.8
17	1.7	57.8	22.8	68	6.8	231.2	91.1
18	1.8	61.2	24.1	69	6.9	234.6	92.5
19	1.9	64.6	25.5	70	7.0	238.0	93.8
20	2.0	68.0	26.8	71	7.1	241.4	95.1
21	2.1	71.4	28.1	72	7.2	244.8	96.5
22	2.2	74.8	29.5	73	7.3	248.2	97.8
23	2.3	78.2	30.8	74	7.4	251.6	99.2
24	2.4	81.6	32.2	75	7.5	255.0	100.5
25	2.5	85.0	33.5	76	7.6	258.4	101.8
26	2.6	88.4	34.8	77	7.7	261.8	103.2
27	2.7	91.8	36.2	78	7.8	265.2	104.5
28	2.8	95.2	37.5	79	7.9	268.6	105.9
29	2.9	98.6	38.9	80	8.0	272.0	107.2
30	3.0	102.0	40.2	81	8.1	275.4	108.5
31	3.1	105.4	41.5	82	8.2	278.8	109.9
32	3.2	108.8	42.9	83	8.3	282.2	111.2
33	3.3	112.2	44.2	84	8.4	285.6	112.6
34	3.4	115.6	45.6	85	8.5	289.0	113.9
35	3.5	119.0	46.9	86	8.6	292.4	115.2
36	3.6	122.4	48.2	87	8.7	295.8	116.6
37	3.7	125.8	49.6	88	8.8	299.2	117.9
38	3.8	129.2	50.9	89	8.9	302.6	119.3
39	3.9	132.6	52.3	90	9.0	306.0	120.6
40	4.0	136.0	53.6	91	9.1	309.4	121.9
41	4.1	139.4	54.9	92	9.2	312.8	123.3
42	4.2	142.8	56.3	93	9.3	316.2	124.6
43	4.3	146.2	57.6	94	9.4	319.6	126.0
44	4.4	149.6	59.0	95	9.5	323.0	127.3
45	4.5	153.0	60.3	96	9.6	326.4	128.6
46	4.6	156.4	61.6	97	9.7	329.8	130.0
47	4.7	159.8	63.0	98	9.8	333.2	131.3
48	4.8	163.2	64.3	99	9.9	336.6	132.7
49	4.9	166.6	65.7				
50	5.0	170.0	67.0				

# About the Crossover

## Crossover (X-OVER):

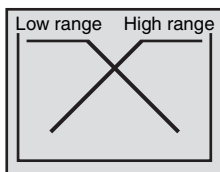
This unit is equipped with an active crossover. The crossover limits the frequencies delivered to the outputs. Each channel is controlled independently. Thus, each speaker pair can be driven by the frequencies for which they have been optimally designed.

The crossover adjusts the HPF (high pass filter) or LPF (low pass filter) of each band, and also the slope (how fast the filter rolls off the highs or lows).

Adjustments should be made according to the reproduction characteristics of the speakers. Depending on the speakers, a passive network may not be necessary. If you are unsure about this point, consult your authorized Alpine dealer.

### 4.2ch (FRONT/REAR/SUB.W.) mode

	Cut-off frequency (1/3 octave steps)		Slope		Level
	HPF	LPF	HPF	LPF	
Low range speaker	----	20 Hz - 200 Hz	----	FLAT, 6, 12, 18, 24 dB/oct.	0 to -12 dB
Rear high range speaker	20 Hz - 200 Hz	----	FLAT, 6, 12, 18, 24 dB/oct.	----	0 to -12 dB
Front high range speaker	20 Hz - 200 Hz	----	FLAT, 6, 12, 18, 24 dB/oct.	----	0 to -12 dB

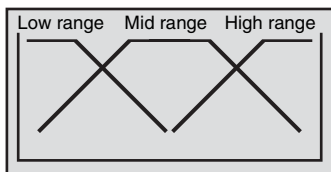


(Different from actual display)

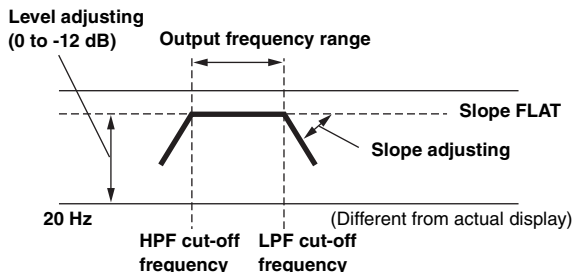
### 2.2ch (3WAY) mode

	Cut-off frequency (1/3 octave steps)		Slope		Level
	HPF	LPF	HPF	LPF	
Low range speaker	----	20 Hz - 200 Hz	----	FLAT, 6, 12, 18, 24 dB/oct.	0 to -12 dB
Mid range speaker	20 Hz - 200 Hz	20 Hz - 20 kHz	FLAT, 6, 12, 18, 24 dB/oct.	FLAT, 6, 12, 18, 24 dB/oct.	0 to -12 dB
High range speaker	1 kHz - 20 kHz, (20 Hz ~ 20 kHz)*	----	FLAT*, 6, 12, 18, 24 dB/oct.	----	0 to -12 dB

\* Only when selecting User's in "Setting the Response Slope for the High Range Speaker (TW SETUP)" (page 27).



(Different from actual display)



- **HPF (high pass filter):** Cuts the lower frequencies and allows the higher frequencies to pass.
  - **LPF (low pass filter):** Cuts the higher frequencies and allows the lower frequencies to pass.
  - **Slope:** The level change (in dB) for a frequency change of one octave.
  - The higher the slope value, the steeper the slope becomes.
  - Adjust the slope to FLAT to bypass the HP or LP filters.
  - Do not use a tweeter without the HPF on or set to a low frequency, as it may cause damage to the speaker due to the low frequency content.
  - You cannot adjust the crossover frequency higher than the HPF or lower than the LPF.
  - Adjustment should be made according to the recommended crossover frequency of the connected speakers. Determine the recommended crossover frequency of the speakers. Adjusting to a frequency range outside that recommended may cause damage to the speakers. For the recommended crossover frequencies of Alpine speakers, refer to the respective Owner's Manual.
- We are not responsible for damage or malfunction of speakers caused by using the crossover outside the recommended value.

## About IMPRINT

Alpine introduces IMPRINT - the world's first technology that thoroughly eliminates in-car acoustic problems that normally degrade sound quality, which enables us to experience music the way the artist intended.

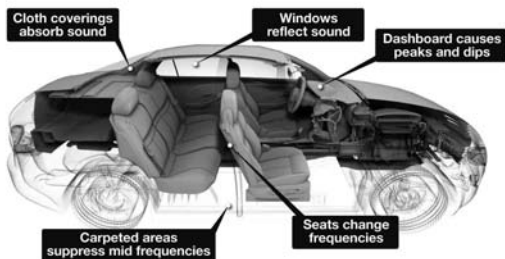


### VISION VS. REALITY

All good music starts as an artist's vision. After countless hours of rehearsing, recording and mixing, that vision is ready for us to hear on discs, radio and other media. But do we hear it as the artist created it? Unfortunately, the reality is that we are almost never able to listen to it in the exact way the artist intended. Especially when we are listening in a car.

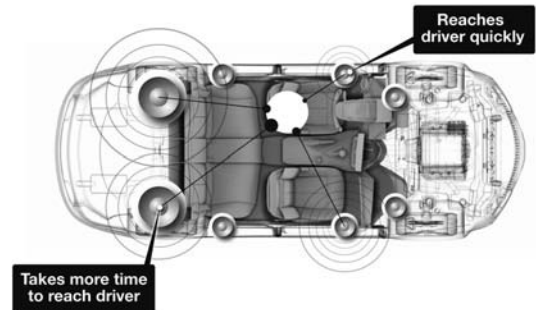
### CARS ARE TERRIBLE LISTENING SPACES

Car interiors are full of materials that obstruct and degrade sound quality. For example, windows amplify and reflect high frequencies. Seat and dashboard coverings change certain frequencies. Carpets absorb and suppress mid frequencies. Graphic and parametric EQs are only partial remedies for these problems. In addition, the speakers are not located at equal distances from listeners, creating an unbalanced, uncentred sound stage. Time correction can help fix this, but only for one listening position.



## INTRODUCING IMPRINT

These acoustical problems are so severe that no correction system has been able to overcome them. Until now, with the introduction of IMPRINT, Alpine provides a hardware/software combination that not only solves these problems, it actually improves the sound stage, tonal balance and definition - and does it automatically, in a matter of minutes!

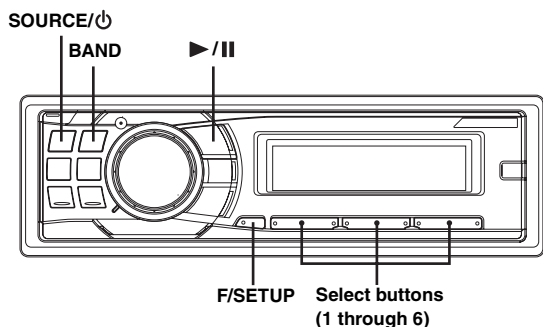


## HOW IMPRINT IS DIFFERENT

IMPRINT using MultEQ is superior to other equalisation systems in five ways.

- It is the only system that measures the entire listening area, capturing time domain information from each listening location and applying a proprietary method for processing it to represent all seat locations. This gives the people in each seat the optimal listening experience.
- It corrects both time and frequency problems, for an improved soundstage and smoother, more natural sound.
- It uses dynamic frequency allocation to apply hundreds of points of correction to those areas where the sound problems are greatest.
- It determines optimized blending points for low frequency crossovers.
- It provides, in minutes, vehicle sound tuning that generally takes skilled professionals days to accomplish.

# Changer (Optional)



## Controlling CD Changer (Optional)

An optional 6-disc or 12-disc CD Changer may be connected to this unit if it is Ai-NET compatible. With a CD Changer connected to the Ai-NET input of this unit, the CD Changer will be controllable from this unit.

Using the KCA-400C (Multi-Changer Switching device) or the KCA-410C (Versatile Link Terminal) multiple changers can be controlled by this unit.

See "Multi-Changer Selection (Optional)" on page 34 for selecting the CD Changers.

- The controls on this unit for CD Changer operation are operative only when a CD Changer is connected.
- The DVD changer (optional) is controllable from this unit as well as the CD changer.

### 1 Press SOURCE/⏻ to activate the CHANGER mode.

- The source indicator varies depending on the connected source.
- Press BAND to switch the Disc mode in the Changer mode.

### 2 Press F/SETUP to activate Disc Select mode.

Disc Select Mode → Disc Select Mode \* →  
(Disc No.1~6) → (Disc No.7~12)

RPT/M.I.X. Mode → Disc Select Mode  
(Disc No.1~6)

### 3 Press the disc select buttons (1 through 6) corresponding to one of the discs loaded in the CD Changer.

The selected disc number appears in the display and CD/MP3 playback starts.

- After selecting the desired disc, you can operate in the same way as for the CD player of this unit. For details, see the CD/MP3/WMA/AAC section.

\* When a 12-disc CD changer is connected.

## Playing MP3 Files with the CD Changer (Optional)

If you connect a changer compatible with MP3, you can play CD-ROMs, CD-Rs, and CD-RWs containing MP3 files on this unit.

### 1 Press SOURCE/⏻ to switch to the MP3 Changer mode.

### 2 Press any one of the disc select buttons (1 through 6) corresponding to one of the discs loaded in the CD Changer.

### 3 To pause playback, press ▶/⏸.

Pressing ▶/⏸ again will resume playback.

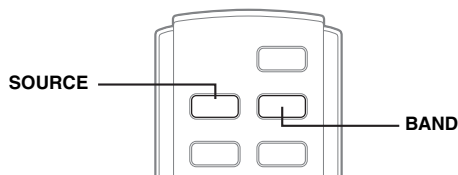
- The unit can play discs containing both audio data and MP3 data.
- For operating MP3 with an MP3 compatible CD Changer, refer to "CD/MP3/WMA/AAC" pages 9 to 12.

## Multi-Changer Selection (Optional)

Alpine's Ai-NET system will support up to 6 CD Changers. When operating two or more changers, the KCA-400C (Multi-Changer Switching device) must be used. If you use 1 Switching device, you can connect up to 4 CD Changers. If you use 2 Switching devices, you can connect up to 6 CD Changers. When using KCA-410C (Versatile Link Terminal), you can connect two changers and two external outputs (AUX).

### 1 Press SOURCE/⏻ on this unit to activate the CD Changer mode.

Alternatively, press SOURCE on the remote control (RUE-4202) to activate the CD Changer mode.



### 2 Press BAND on this unit or the RUE-4202 to activate the CD Changer Selection mode.

The CD Changer Selection mode remains active for a few seconds.

### 3 Press BAND until the desired CD Changer indicator appears on the display.

Alternatively press BAND on the Remote Control until the desired changer indicator appears on the display.

- If the selected CD Changer is not connected, the display will show "NO CHANGER (No.)".
- To operate the selected changer, see "CD/MP3/WMA/AAC" (pages 9 to 12).
- For further details about the external input (AUX) when using KCA-410C, see "Setting the AUX Mode (V-Link)" on page 18.

# Information

## In Case of Difficulty

If you encounter a problem, turn the power off, then on again. If the unit is still not functioning normally, review the items in the following checklist. This guide will help you isolate the problem if the unit is at fault. Otherwise, make sure the rest of your system is properly connected or consult your authorized Alpine dealer.

### Basic

#### No function or display.

- Vehicle's ignition is off.
  - If connected following instructions, the unit will not operate with the vehicle's ignition off.
- Improper power lead (Red) and battery lead (Yellow) connections.
  - Check power lead and battery lead connections.
- Blown fuse.
  - Check the fuse of the unit; replace with the proper value if necessary.
- Internal micro-computer malfunctioned due to interference noise etc.
  - Press the RESET switch with a ballpoint pen or other pointed article.

### Radio

#### Unable to receive stations.

- No antenna or open connection in cable.
  - Make sure the antenna is properly connected; replace the antenna or cable if necessary.

#### Unable to tune stations in the seek mode.

- You are in a weak signal area.
  - Make sure the tuner is in the DX mode.
- If the area you are in is a primary signal area, the antenna may not be grounded and connected properly.
  - Check your antenna connections; make sure the antenna is properly grounded at its mounting location.
- The antenna may not be the proper length.
  - Make sure the antenna is fully extended; if broken, replace the antenna with a new one.

#### Broadcast is noisy.

- The antenna is not the proper length.
  - Extend the antenna fully; replace it if it is broken.
- The antenna is poorly grounded.
  - Make sure the antenna is grounded properly at its mounting location.

### CD

#### CD Player/Changer not functioning.

- Out of operating temperature range +50°C (+120°F) for CD.
  - Allow the vehicle's interior (or trunk) temperature to cool.

#### CD playback sound is wavering.

- Moisture condensation in the CD Module.
  - Allow enough time for the condensation to evaporate (about 1 hour).

#### CD insertion not possible.

- A CD is already in the CD player.
  - Eject the CD and remove it.
- The CD is being improperly inserted.
  - Make sure the CD is being inserted following instructions in the CD Player Operation section.

#### Unable to fast forward or backward the CD.

- The CD has been damaged.
  - Eject the CD and discard it; using a damaged CD in your unit can cause damage to the mechanism.

#### CD playback sound skips due to vibration.

- Improper mounting of the unit.
  - Securely re-mount the unit.
- The disc is very dirty.
  - Clean the disc.
- The disc has scratches.
  - Change the disc.
- The pick-up lens is dirty.
  - Do not use a commercially available lens cleaner disc. Consult your nearest Alpine dealer.

#### CD playback sound skips without vibration.

- The disc is dirty or scratched.
  - Clean the disc; damaged disc should be replaced.

#### Error displays (built-in CD player only).

- Mechanical error.
  - Press  $\blacktriangle$ . After the error indication disappears, insert the disc again. If the above-mentioned solution does not solve the problem, consult your nearest Alpine dealer.

#### CD-R/CD-RW playback not possible.

- Close session (finalization) has not been performed.
  - Perform finalization and attempt playback again.

### MP3/WMA/AAC

#### MP3, WMA or AAC is not played back.

- Writing error occurred. The CD format is not compatible.
  - Make sure the CD has been written in a supported format. Refer to "About MP3/WMA/AAC" (pages 11-12), then rewrite in the format supported by this device.

### Audio

#### The sound is not output from the speakers.

- Unit has no output signal of the internal amplifier.
  - Power IC is switched to "ON" (page 17).

### iPod

#### iPod does not play and no sound is output.

- The iPod has not been recognized.
  - Reset this unit and the iPod. Refer to "Initial System Start-Up" (page 6). To reset the iPod, refer to the Owner's Manual of the iPod.

## Indication for CD Player

### NO DISC

- No CD is inserted.
  - Insert a CD.
- Although a disc is inserted, "NO DISC" is displayed and the unit does not start to play or eject the disc.
  - Remove the disc by following these steps:  
Press the **▲** button again for at least 2 seconds.  
If the disc still does not eject, consult your Alpine dealer.

### ERROR

- Mechanism error.
  - 1) Press the **▲** button and eject the CD.  
If not ejecting, consult your Alpine dealer.
  - 2) When the error indication remains after ejecting, press the **▲** button again.  
If the error indication still does not turn off after pressing the **▲** button for a few times, consult your Alpine dealer.
- When "ERROR" is displayed:  
*If the disc cannot be ejected by pressing **▲**, press the RESET switch (refer to page 6) and press **▲** again.  
If the disc still cannot be ejected, consult your Alpine dealer.*

### PROTECT

- A copy-protected WMA file was played back.
  - You can only play back non-copy-protected files.

### UNSUPPORTED

- A sampling rate/bit rate not supported by the unit is used.
  - Use a sampling rate/bit rate that is supported by the unit.

## Indication for CD Changer

### HIGH-TEMP

- Protective circuit is activated due to high temperature.
  - The indication will disappear when the temperature returns to normal operating range.

### ERROR-01

- Malfunction in the CD Changer.
  - Consult your Alpine dealer. Press the magazine eject button and pull out the magazine.  
Check the indication. Insert the magazine again.  
If the magazine cannot be pulled out, consult your Alpine dealer.
- Magazine ejection not possible.
  - Press the magazine eject button. If the magazine does not eject, consult your Alpine dealer.

### ERROR-02

- A disc is left inside the CD Changer.
  - Press the eject button to activate the eject function. When the CD Changer finishes the eject function, insert an empty CD magazine into the CD Changer to receive the disc left inside the CD Changer.

### NO MAGAZINE

- No magazine is loaded into the CD Changer.
  - Insert a magazine.

### NO DISC

- No indicated disc.
  - Choose another disc.

## Indication for SAT Receiver Mode

### ANTENNA

- The XM or SIRIUS antenna is not connected to the XM or SIRIUS radio module.
  - Check whether the XM or SIRIUS antenna cable is attached securely to the XM or SIRIUS radio module.

### UPDATING

- Radio is being updated with latest encryption code.
  - Wait until encryption code is being updated. Channels 0 and 1 should function normally.

### NO SIGNAL

(XM mode)

### ACQUIRING

(SIRIUS mode)

- XM or SIRIUS signal is too weak at the current location.
  - Wait until the car reaches a location with a stronger signal.

### LOADING

- Radio is acquiring audio or program information.
  - Wait until the radio has received the information.

### OFF AIR

(XM mode)

### ACQUIRING

(SIRIUS mode)

- The channel currently selected has stopped broadcasting.
  - Select another channel.



- The user has selected a channel number that does not exist or is not subscribed to.
  - The unit will revert back to the previously selected channel.
- There is no artist name/feature, song/program title, or additional information associated with the channel at that time.
  - No action needed.

## ERROR

- If an error or other problem occurs.
  - Change channels or consult your Alpine dealer.

## Indication for iPod Mode

### No iPod

- The iPod is not connected.
  - Make sure the iPod is correctly connected (refer to "Connections" on page 40).
  - Make sure the cable is not bent excessively.

### NO SONG

- There are no songs in the iPod.
  - Download songs to the iPod and connect to this unit.

### ERROR-01

- Communication error
  - Turn the ignition key off, and then set to ON again.
  - Check the display by reconnecting between the iPod and this unit, using the iPod cable.

### ERROR-02

- Caused by the iPod Software Version not being compatible with this unit.
  - Update the iPod Software Version to be compatible with this unit.

## Specifications

### FM TUNER SECTION

Tuning Range	87.7-107.9 MHz
Mono Usable Sensitivity	9.3 dBf (0.8 $\mu$ V/75 ohms)
50 dB Quieting Sensitivity	13.5 dBf (1.3 $\mu$ V/75 ohms)
Alternate Channel Selectivity	80 dB
Signal-to-Noise Ratio	65 dB
Stereo Separation	35 dB
Capture Ratio	2.0 dB

### AM TUNER SECTION

Tuning Range	530-1,710 kHz
Sensitivity (IEC Standard)	22.5 $\mu$ V/27 dB

### CD PLAYER SECTION

Frequency Response	5-20,000 Hz ( $\pm$ 1 dB)
Wow & Flutter (% WRMS)	Below measurable limits
Total Harmonic Distortion	0.008% (at 1 kHz)
Dynamic Range	95 dB (at 1 kHz)
Signal-to-Noise Ratio	105 dB
Channel Separation	85 dB (at 1 kHz)

### PICKUP

Wave length	795 nm
Laser power	CLASS I

### GENERAL

Power Requirement	14.4 V DC (11-16 V allowable)
Power Output	18 W RMS $\times$ 4*
*Primary amplifier ratings per CEA-2006 Standard	
• Power output: measured at 4 Ohms and $\leq$ 1% THD+N	
• S/N: 80 dBA (reference: 1 W into 4 Ohms)	
Maximum Pre-Output Voltage	2 V/10 k ohms
Bass	+14/-14 dB at 100 Hz
Treble	$\pm$ 14 dB at 10 kHz
Weight	1.5 kg (3 lbs. 4 oz)

### CHASSIS SIZE

Width	178 mm (7")
Height	50 mm (2")
Depth	160 mm (6-1/4")

### NOSEPIECE SIZE

Width	170 mm (6-3/4")
Height	46 mm (1-13/16")
Depth	24 mm (15/16")

- *Due to continuous product improvement, specifications and design are subject to change without notice.*

---

---

# Installation and Connections

Before installing or connecting the unit, please read the following and pages 3 to 5 of this manual thoroughly for proper use.

## Warning

---

### MAKE THE CORRECT CONNECTIONS.

Failure to make the proper connections may result in fire or product damage.

---

### USE ONLY IN CARS WITH A 12 VOLT NEGATIVE GROUND.

(Check with your dealer if you are not sure.) Failure to do so may result in fire, etc.

---

### BEFORE WIRING, DISCONNECT THE CABLE FROM THE NEGATIVE BATTERY TERMINAL.

Failure to do so may result in electric shock or injury due to electrical shorts.

---

### DO NOT SPLICE INTO ELECTRICAL CABLES.

Never cut away cable insulation to supply power to other equipment. Doing so will exceed the current carrying capacity of the wire and result in fire or electric shock.

---

### DO NOT DAMAGE PIPE OR WIRING WHEN DRILLING HOLES.

When drilling holes in the chassis for installation, take precautions so as not to contact, damage or obstruct pipes, fuel lines, tanks or electrical wiring. Failure to take such precautions may result in fire.

---

### DO NOT USE BOLTS OR NUTS IN THE BRAKE OR STEERING SYSTEMS TO MAKE GROUND CONNECTIONS.

Bolts or nuts used for the brake or steering systems (or any other safety-related system), or tanks should NEVER be used for installations or ground connections. Using such parts could disable control of the vehicle and cause fire etc.

---

### KEEP SMALL OBJECTS SUCH AS BATTERIES OUT OF THE REACH OF CHILDREN.

Swallowing them may result in serious injury. If swallowed, consult a physician immediately.

---

### DO NOT INSTALL IN LOCATIONS WHICH MIGHT HINDER VEHICLE OPERATION, SUCH AS THE STEERING WHEEL OR GEARSHIFT.

Doing so may obstruct forward vision or hamper movement etc. and results in serious accident.

---

### DO NOT ALLOW CABLES TO BECOME ENTANGLED IN SURROUNDING OBJECTS.

Arrange wiring and cables in compliance with the manual to prevent obstructions when driving. Cables or wiring that obstruct or hang up on places such as the steering wheel, gear lever, brake pedals, etc. can be extremely hazardous.

---

## Caution

---

### HAVE THE WIRING AND INSTALLATION DONE BY EXPERTS.

The wiring and installation of this unit requires special technical skill and experience. To ensure safety, always contact the dealer where you purchased this product to have the work done.

---

### USE SPECIFIED ACCESSORY PARTS AND INSTALL THEM SECURELY.

Be sure to use only the specified accessory parts. Use of other than designated parts may damage this unit internally or may not securely install the unit in place. This may cause parts to become loose resulting in hazards or product failure.

---

### ARRANGE THE WIRING SO IT IS NOT CRIMPED OR PINCHED BY A SHARP METAL EDGE.

Route the cables and wiring away from moving parts (like the seat rails) or sharp or pointed edges. This will prevent crimping and damage to the wiring. If wiring passes through a hole in metal, use a rubber grommet to prevent the wire's insulation from being cut by the metal edge of the hole.

---

### DO NOT INSTALL IN LOCATIONS WITH HIGH MOISTURE OR DUST.

Avoid installing the unit in locations with high incidence of moisture or dust. Moisture or dust that penetrates into this unit may result in product failure.

---

## Precautions

- Be sure to disconnect the cable from the (-) battery post before installing your CDA-9884. This will reduce any chance of damage to the unit in case of a short-circuit.
- Be sure to connect the color coded leads according to the diagram. Incorrect connections may cause the unit to malfunction or damage to the vehicle's electrical system.
- When making connections to the vehicle's electrical system, be aware of the factory installed components (e.g. on-board computer). Do not tap into these leads to provide power for this unit. When connecting the CDA-9884 to the fuse box, make sure the fuse for the intended circuit of the CDA-9884 has the appropriate amperage. Failure to do so may result in damage to the unit and/or the vehicle. When in doubt, consult your Alpine dealer.
- The CDA-9884 uses female RCA-type jacks for connection to other units (e.g. amplifier) having RCA connectors. You may need an adaptor to connect other units. If so, please contact your authorized Alpine dealer for assistance.
- Be sure to connect the speaker (-) leads to the speaker (-) terminal. Never connect left and right channel speaker cables to each other or to the vehicle body.

---

#### IMPORTANT

Please record the serial number of your unit in the space provided below and keep it as a permanent record. The serial number or the engraved serial number is located on the bottom of the unit.

SERIAL NUMBER: \_\_\_\_\_

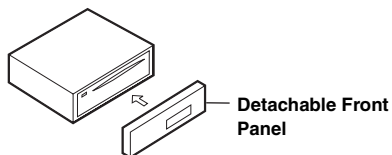
INSTALLATION DATE: \_\_\_\_\_

INSTALLATION TECHNICIAN: \_\_\_\_\_

PLACE OF PURCHASE: \_\_\_\_\_



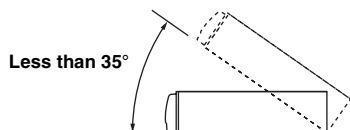
# Installation



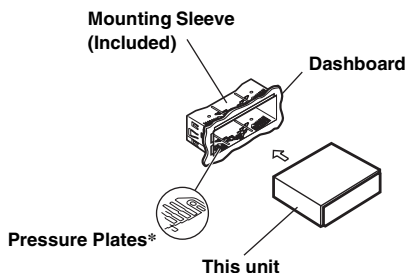
### Caution

When you install this unit in your car, do not remove the detachable front panel. If the detachable front panel is removed during installation, you might press too hard and warp the metal plate that holds it in place.

- The main unit must be mounted within 35 degrees of the horizontal plane, back to front.



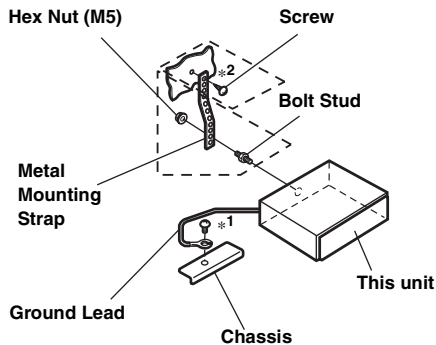
1



- If the installed mounting sleeve is loose in the dashboard, the pressure plates may be bent slightly to remedy the problem.

Remove the mounting sleeve from the main unit (see "Removal" on page 39).

2



Reinforce the head unit with the metal mounting strap (not supplied). Secure the ground lead of the unit to a clean metal spot using a screw (\*1) already attached to the vehicle's chassis.

- For the screw marked "\*2", use an appropriate screw for the chosen mounting location.

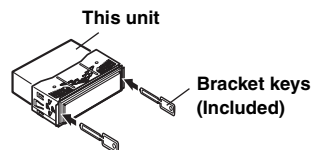
Connect each input lead coming from an amplifier or equalizer to the corresponding output lead coming from the left rear of the CDA-9884. Connect all other leads of the CDA-9884 according to details described in the CONNECTIONS section.

3

Slide the CDA-9884 into the dashboard until it clicks. This ensures that the unit is properly locked and will not accidentally come out from the dashboard.

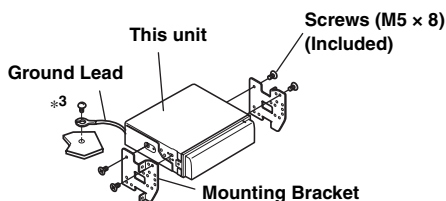
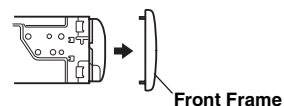
### Removal

- Remove the detachable front panel.
- Insert the bracket keys into the unit, along the guides on either side. The unit can now be removed from the mounting sleeve.



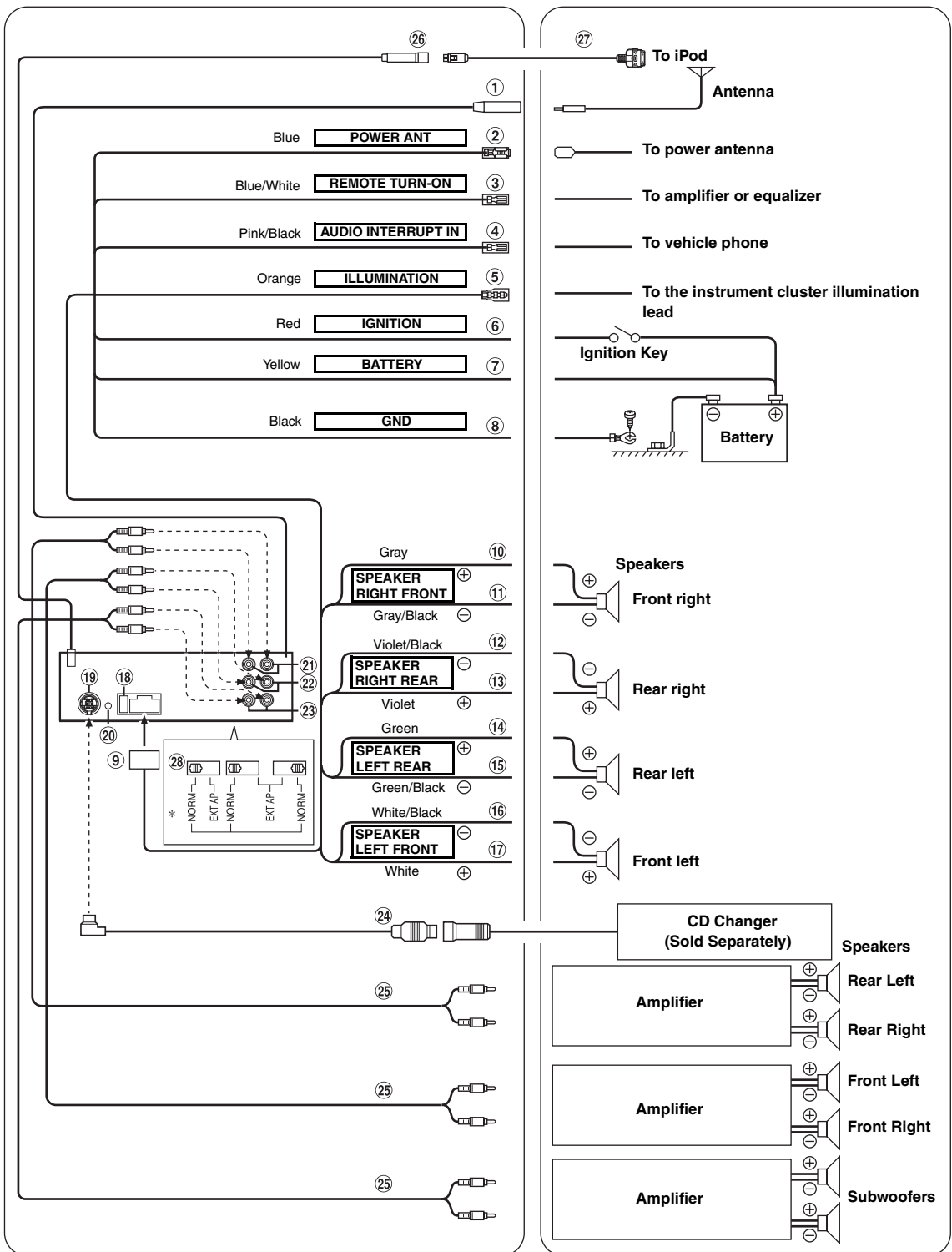
- Pull the unit out, keeping it unlocked as you do so.

### <JAPANESE CAR>



- Secure the ground lead of the unit to a clean metal spot using a screw (\*3) already attached to the vehicle's chassis.

# Connections



\* The label is attached on the bottom of the unit.

- ① **Antenna Receptacle**
- ② **Power Antenna Lead (Blue)**  
Connect this lead to the +B terminal of your power antenna, if applicable.
  - *This lead should be used only for controlling the vehicle's power antenna. Do not use this lead to turn on an amplifier, or a signal processor, etc.*
- ③ **Remote Turn-On Lead (Blue/White)**  
Connect this lead to the remote turn-on lead of your amplifier or signal processor. When an Imprint Box PXA-H100 (sold separately) is connected, use the Remote Turn-on lead of PXA-H100 to connect to your amplifier or signal processor. For details, refer to the Owner's Manual of PXA-H100.
- ④ **Audio Interrupt In Lead (Pink/Black)**  
Connect this lead to the Audio interface output of a cellular phone which provides ground shorting when a call is received.
- ⑤ **Illumination Lead (Orange)**  
This lead may be connected to the vehicle's instrument cluster illumination lead. This will allow the backlighting of the CDA-9884 to dim whenever the vehicle's lights are turned on.
- ⑥ **Switched Power Lead (Ignition) (Red)**  
Connect this lead to an open terminal on the vehicle's fuse box or another unused power source which provides (+)12V only when the ignition is turned on or in the accessory position.
- ⑦ **Battery Lead (Yellow)**  
Connect this lead to the positive (+) post of the vehicle's battery.
- ⑧ **Ground Lead (Black)**  
Connect this lead to a good chassis ground on the vehicle. Make sure the connection is made to bare metal and is securely fastened using the sheet metal screw provided.
- ⑨ **Power Supply Connector**
- ⑩ **Right Front (+) Speaker Output Lead (Gray)**
- ⑪ **Right Front (-) Speaker Output Lead (Gray/Black)**
- ⑫ **Right Rear (-) Speaker Output Lead (Violet/Black)**
- ⑬ **Right Rear (+) Speaker Output Lead (Violet)**
- ⑭ **Left Rear (+) Speaker Output Lead (Green)**
- ⑮ **Left Rear (-) Speaker Output Lead (Green/Black)**
- ⑯ **Left Front (-) Speaker Output Lead (White/Black)**
- ⑰ **Left Front (+) Speaker Output Lead (White)**
- ⑱ **Fuse Holder (10A)**
- ⑲ **Ai-NET Connector**  
Connect this to the output or input connector of another device (CD Changer, Imprint Box, Equalizer, HD Radio™ TUNER MODULE, etc.) equipped with Ai-NET.
  - *Interface adapter for iPod® (KCA-420i) is not recommended for use with this product.*
  - *You can input TV/video sound by connecting an optional Ai-NET/RCA Interface cable (KCA-121B) to this component.*
- ⑳ **Steering Remote Control Interface Connector**  
To steering Remote control interface box.
- ㉑ **Rear Output/Input RCA Connectors**  
It can be used as Rear Output or Input RCA Connectors. RED is right and WHITE is left.
- ㉒ **Front Output/Input RCA Connectors**  
It can be used as Front Output or Input RCA Connectors. RED is right and WHITE is left.
- ㉓ **Subwoofer RCA Connectors**  
RED is right and WHITE is left.
- ㉔ **Ai-NET Cable (Included with CD Changer)**
- ㉕ **RCA Extension Cable (sold separately)**
- ㉖ **iPod Direct Connector**  
Control iPod signals.  
Connect this to an iPod or to an optional Bluetooth Box. To use a hands-free mobile phone, an optional Bluetooth Box connection is required. For details on connection, refer to the Owner's Manual of the Bluetooth Box. You can also connect this to an external device (such as a portable player) by using iPod Direct/RCA Interface cable (sold separately).
  - \* *Refer to "Setting the AUX+ SETUP Mode" (page 18).*
  - AUX+ ON : When the external device is connected.
  - AUX+ OFF : When an iPod is connected.
- ㉗ **FULL SPEED™ Connection Cable (KCE-422i) (sold separately)**
- ㉘ **System Switch**  
When connecting a processor or divider using Ai-NET, place the three switches in the EXT AP position. When no device is connected, leave the switch in the NORM position.
  - *Do not make the three switches to different settings.*
  - *Be sure to turn the power off to the unit before changing the switch position.*

**To prevent external noise from entering the audio system.**

- Locate the unit and route the leads at least 10 cm away from the car harness.
- Keep the battery power leads as far away from other leads as possible.
- Connect the ground lead securely to a bare metal spot (remove any paint, dirt or grease if necessary) of the car chassis.
- If you add an optional noise suppressor, connect it as far away from the unit as possible. Your Alpine dealer carries various noise suppressors, contact them for further information.
- Your Alpine dealer knows best about noise prevention measures so consult your dealer for further information.



## LIMITED WARRANTY

ALPINE ELECTRONICS OF AMERICA, INC. AND ALPINE OF CANADA INC. ("Alpine"), are dedicated to quality craftsmanship and are pleased to offer this Warranty. We suggest that you read it thoroughly. Should you have any questions, please contact your Dealer or contact Alpine at one of the telephone numbers listed below.

### ● PRODUCTS COVERED:

This Warranty covers Car Audio Products and Related Accessories ("the product"). Products purchased in the Canada are covered only in the Canada. Products purchased in the U.S.A. are covered only in the U.S.A.

### ● LENGTH OF WARRANTY:

This Warranty is in effect for one year from the date of the first consumer purchase.

### ● WHO IS COVERED:

This Warranty only covers the original purchaser of the product, who must reside in the United States, Puerto Rico or Canada.

### ● WHAT IS COVERED:

This Warranty covers defects in materials or workmanship (parts and labor) in the product.

### ● WHAT IS NOT COVERED:

This Warranty does not cover the following:

- ① Damage occurring during shipment of the product to Alpine for repair (claims must be presented to the carrier).
- ② Damage caused by accident or abuse, including burned voice coils caused by over-driving the speaker (amplifier level is turned up and driven into distortion or clipping). Speaker mechanical failure (e.g. punctures, tears or rips). Cracked or damaged LCD panels. Dropped or damaged hard drives.
- ③ Damage caused by negligence, misuse, improper operation or failure to follow instructions contained in the Owner's manual.
- ④ Damage caused by act of God, including without limitation, earthquake, fire, flood, storms or other acts of nature. Any cost or expense related to the removal or reinstallation of the product.
- ⑤ Service performed by an unauthorized person, company or association.
- ⑥ Any product which has the serial number defaced, altered or removed.
- ⑦ Any product which has been adjusted, altered or modified without Alpine's consent.
- ⑧ Any product not distributed by Alpine within the United States, Puerto Rico or Canada.
- ⑨ Any product not purchased from an Authorized Alpine Dealer.

### ● HOW TO OBTAIN WARRANTY SERVICE:

- ① You are responsible for delivery of the product to an Authorized Alpine Service Center or Alpine for repair and for payment of any initial shipping charges. Alpine will, at its option, repair or replace the product with a new or reconditioned product without charge. If the repairs are covered by the warranty, and if the product was shipped to an Authorized Alpine Service Center or Alpine, Alpine will pay the return shipping charges.
- ② You should provide a detailed description of the problem(s) for which service is required.

- ③ You must supply proof of your purchase of the product.
- ④ You must package the product securely to avoid damage during shipment. To prevent lost packages it is recommended to use a carrier that provides a tracking service.

### ● HOW WE LIMIT IMPLIED WARRANTIES:

ANY IMPLIED WARRANTIES INCLUDING FITNESS FOR USE AND MERCHANTABILITY ARE LIMITED IN DURATION TO THE PERIOD OF THE EXPRESS WARRANTY SET FORTH ABOVE AND NO PERSON IS AUTHORIZED TO ASSUME FOR ALPINE ANY OTHER LIABILITY IN CONNECTION WITH THE SALE OF THE PRODUCT.

### ● HOW WE EXCLUDE CERTAIN DAMAGES:

ALPINE EXPRESSLY DISCLAIMS LIABILITY FOR INCIDENTAL AND CONSEQUENTIAL DAMAGES CAUSED BY THE PRODUCT. THE TERM "INCIDENTAL DAMAGES" REFERS TO EXPENSES OF TRANSPORTING THE PRODUCT TO THE ALPINE SERVICE CENTER, LOSS OF THE ORIGINAL PURCHASER'S TIME, LOSS OF THE USE OF THE PRODUCT, BUS FARES, CAR RENTALS OR OTHERS COSTS RELATING TO THE CARE AND CUSTODY OF THE PRODUCT. THE TERM "CONSEQUENTIAL DAMAGES" REFERS TO THE COST OF REPAIRING OR REPLACING OTHER PROPERTY WHICH IS DAMAGED WHEN THIS PRODUCT DOES NOT WORK PROPERLY. THE REMEDIES PROVIDED UNDER THIS WARRANTY ARE EXCLUSIVE AND IN LIEU OF ALL OTHERS.

### ● HOW STATE/PROVINCIAL LAW RELATES TO THE WARRANTY:

This Warranty gives you specific legal rights, and you may also have other rights which vary from state to state and province to province. In addition, some states/provinces do not allow limitations on how long an implied warranty lasts, and some do not allow the exclusion or limitation of incidental or consequential damages. Accordingly, limitations as to these matters contained herein may not apply to you.

### ● IN CANADA ONLY:

This Warranty is not valid unless your Alpine car audio product has been installed in your vehicle by an Authorized Installation Center, and this warranty stamped upon installation by the installation center.

### ● HOW TO CONTACT CUSTOMER SERVICE:

Should the product require service, please call the following number for your nearest Authorized Alpine Service Center.

CAR AUDIO	1-800-ALPINE-1 (1-800-257-4631)
NAVIGATION	1-888-NAV-HELP (1-888-628-4357)

Or visit our website at; <http://www.alpine-usa.com>

ALPINE ELECTRONICS OF AMERICA, INC., 19145 Gramercy Place, Torrance, California 90501, U.S.A.

ALPINE ELECTRONICS OF CANADA, INC., 777 Supertest Road, Toronto, Ontario M3J 2M9, Canada

Do not send products to these addresses.

Call the toll free telephone number or visit the website to locate a service center.



## MP3/WMA/AAC CD Receiver

# CDA-9884

**MP3**



**AAC**



- **OWNER'S MANUAL**  
Please read before using this equipment.
- **MODE D'EMPLOI**  
Veuillez lire avant d'utiliser cet appareil.
- **MANUAL DE OPERACIÓN**  
Léalo antes de utilizar este equipo.

**ALPINE ELECTRONICS MARKETING, INC.**  
1-1-8 Nishi Gotanda,  
Shinagawa-ku,  
Tokyo 141-0031, Japan  
Phone 03-5496-8231

**ALPINE ELECTRONICS OF AMERICA, INC.**  
19145 Gramercy Place, Torrance,  
California 90501, U.S.A.  
Phone 1-800-ALPINE-1 (1-800-257-4631)

**ALPINE ELECTRONICS OF CANADA, INC.**  
777 Supertest Road, Toronto,  
Ontario M3J 2M9, Canada  
Phone 1-800-ALPINE-1 (1-800-257-4631)

**ALPINE ELECTRONICS OF AUSTRALIA PTY. LTD.**  
161-165 Princes Highway, Hallam  
Victoria 3803, Australia  
Phone 03-8787-1200

**ALPINE ELECTRONICS GmbH**  
Frankfurter Ring 117, 80807 München, Germany  
Phone 089-32 42 640

**ALPINE ELECTRONICS OF U.K. LTD.**  
Alpine House  
Fletchamstead Highway, Coventry CV4 9TW, U.K.  
Phone 0870-33 33 763

**ALPINE ELECTRONICS FRANCE S.A.R.L.**  
(RCS PONTOISE B 338 101 280)  
98, Rue de la Belle Etoile, Z.I. Paris Nord II,  
B.P. 50016, 95945 Roissy Charles de Gaulle  
Cedex, France  
Phone 01-48638989

**ALPINE ITALIA S.p.A.**  
Viale C. Colombo 8, 20090 Trezzano  
Sul Naviglio (MI), Italy  
Phone 02-484781

**ALPINE ELECTRONICS DE ESPAÑA, S.A.**  
Portal de Gamarra 36, Pabellón, 32  
01013 Vitoria (Alava)-APDO 133, Spain  
Phone 945-283588

**ALPINE ELECTRONICS (BENELUX) GmbH**  
Leuvensesteenweg 510-B6,  
1930 Zaventem, Belgium  
Phone 02-725-13 15



# Contenus

## Mode d'emploi

### AVERTISSEMENT

<b>AVERTISSEMENT</b> .....	<b>3</b>
<b>ATTENTION</b> .....	<b>3</b>
<b>PRÉCAUTIONS</b> .....	<b>3</b>

### Mise en route

Liste des accessoires .....	6
Mise sous et hors tension .....	6
Retrait et pose du panneau avant .....	6
Mise en service de l'appareil .....	6
Réglage du volume .....	7
Diminution rapide du volume .....	7
Réglage de l'heure .....	7

### Radio

Écoute de la radio .....	7
Présélection manuelle des stations .....	8
Présélection automatique des stations .....	8
Accord d'une station présélectionnée .....	8
Fonction de recherche de la fréquence .....	8
Réception d'une station de multidiffusion (Mode HD Radio uniquement) .....	8

### CD/MP3/WMA/AAC

Lecture .....	9
Lecture répétée .....	9
M.I.X. (Lecture aléatoire) .....	10
Recherche de CD-texte .....	10
Recherche par nom de fichier/dossier (fichiers MP3/WMA/AAC) .....	10
Recherche rapide .....	11
À propos des fichiers MP3/WMA/AAC .....	11

### Réglage du son

Réglage du niveau du subwoofer, du niveau des graves, du niveau des aigus, de la balance droite et gauche, de l'équilibreur avant/arrière et de la fonction Defeat .....	12
Réglage du niveau du subwoofer .....	13
Réglage de la commande des graves .....	13
Réglage de la fréquence centrale des graves.....	13

Réglage de la largeur de bande des graves .....	13
Réglage du niveau des graves .....	13
Réglage de la commande des aigus .....	13
Réglage de la fréquence centrale des aigus .....	13
Réglage du niveau des aigus .....	13
Réglage du filtre passe-haut .....	14
Activation/annulation de la correction physiologique .....	14
ON/OFF du subwoofer .....	14
Réglage du système du subwoofer .....	14

### Autres fonctions

Affichage du texte .....	15
Affichage de l'heure .....	16

### SETUP

#### BLUETOOTH IN

Réglage de la connexion Bluetooth .....	17
---	----

#### Personnalisation des éléments visuels

Modification de la couleur d'éclairage .....	17
Réglage du contraste de l'affichage .....	17
Commande du gradateur .....	17
Réglage du type de défilement .....	17
Réglage du défilement (TEXT SCROLL) .....	17
Réglage de la police de caractères de la langue .....	17
Démonstration .....	17

#### MP3/WMA/AAC

Lecture de données MP3/WMA/AAC (PLAY MODE) .....	17
---	----

#### Appareil externe

Raccordement à un amplificateur externe .....	17
Activation et désactivation du mode silencieux (INT MUTE) .....	18
Réglage du mode de configuration AUX+ SETUP .....	18
Réglage AUX+ Level (AUX IN GAIN) .....	18
Réglage de l'entrée numérique externe .....	18
Réglage du mode AUX (V-Link) .....	18
Réglage du nom du changeur .....	18

#### HD Radio (uniquement lorsqu'un récepteur HD Radio est raccordé)

Réglage de l'identification des stations HD Radio (STATION CALL) .....	18
Réglage Digital Seek ON/OFF .....	18

## Récepteur radio par satellite (en option)

Réception de stations via le récepteur radio par satellite (en option) .....	19
Vérification du numéro d'identification de la radio par satellite .....	19
Mémorisation des présélections des stations .....	19
Réception des stations mémorisées .....	20
Mémorisation de l'équipe sportive de votre choix (SIRIUS uniquement) .....	20
Mémorisation pendant la diffusion d'une rencontre .....	20
Configuration des alertes des rencontres.....	20
Mémorisation du morceau / artiste de votre choix (SIRIUS uniquement) .....	20
Rappel des informations mémorisées (SIRIUS uniquement) .....	21
En présence de plus de 2 alertes (indicateur d'ALERTE clignotant) .....	21
Annulation de la mémoire d'alerte enregistrée (SIRIUS uniquement) .....	21
Fonction de recherche .....	21
Mode de recherche de catégorie.....	21
Mode de recherche de station/artiste/morceau.....	21
Fonction de recherche rapide .....	21
Réception d'informations météo et trafic à partir de la radio satellite .....	21
Fonction de répétition instantanée (SIRIUS uniquement) .....	22
Changement d'affichage .....	22
Réglage de l'affichage du champ de données auxiliaires (XM uniquement) .....	22

## iPod® (en option)

Lecture .....	23
Recherche d'un morceau souhaité .....	23
Recherche rapide .....	24
Fonction de recherche directe .....	24
Sélection d'une liste d'écoute/d'un artiste/d'un album/d'un genre/d'un compositeur .....	24
Lecture aléatoire (M.I.X.) .....	25
Lecture répétée .....	25
Affichage du texte .....	25

## Utilisation du système IMPRINT (en option)

Modification du mode MultEQ .....	26
Réglage du niveau du subwoofer, du niveau des graves, du niveau des aigus, de l'équilibreur avant/arrière et de la balance droite et gauche en mode MultEQ .....	26

Réglage du son en mode manuel .....	27
ON/OFF du subwoofer .....	27
Réglage du système du subwoofer .....	27
Réglage de la phase du subwoofer.....	27
Réglage du canal du subwoofer (SUBW CHANNEL).....	27
Préréglages de l'égaliseur (FACTORY'S EQ).....	27
Réglage de la pente de réponse de l'enceinte des aigus (TW SETUP) .....	27
Réglage du type de filtre.....	28
ON/OFF du mode Media Xpander .....	28
Réglage du niveau MX .....	28
Réglage du mode EQ.....	28
Réglage de l'unité de correction du temps (T.CORR PARA) .....	28
Réglage du champ sonore (SOUND ADJUST).....	28
Réglage de la courbe de l'égaliseur paramétrique .....	28
Réglage de la courbe de l'égaliseur graphique .....	29
Réglage de la correction du temps .....	29
Réglage des paramètres du répartiteur .....	29
Mémorisation des réglages du champ sonore .....	30
Rappel des réglages mémorisés du champ sonore .....	30
À propos de la correction du temps .....	31
À propos du répartiteur .....	32
À propos de la technologie IMPRINT .....	33

## Changeur (en option)

Contrôle d'un changeur CD (en option) .....	34
Lecture de fichiers MP3 avec le changeur CD (en option) .....	34
Sélection du multi-changeur (en option) .....	34

## Informations

En cas de problème .....	35
Spécifications .....	37

## Installation et raccordements

Avertissement .....	38
Attention .....	38
Précautions .....	38
Installation .....	39
Raccordements .....	40

## GARANTIE LIMITÉE



# Mode d'emploi

## AVERTISSEMENT

### AVERTISSEMENT

Ce symbole désigne des instructions importantes. Le non-respect de ces instructions peut entraîner de graves blessures, voire la mort.

#### **N'ACTIVER AUCUNE FONCTION SUSCEPTIBLE DE DETOURNER VOTRE ATTENTION DE LA CONDUITE DU VEHICULE.**

Les fonctions requérant une attention prolongée ne doivent être exploitées qu'à l'arrêt complet du véhicule. Toujours arrêter le véhicule à un endroit sûr avant d'activer ces fonctions. Il y a un risque de provoquer un accident.

#### **GARDER LE VOLUME À FAIBLE NIVEAU DE MANIÈRE À POUVOIR ENTENDRE LES BRUITS EXTÉRIEURS PENDANT LA CONDUITE.**

Des niveaux de volume excessifs qui couvrent les sirènes des ambulances ou les signaux routiers (passages à niveau, etc.) peuvent être dangereux et provoquer un accident. UN NIVEAU DE VOLUME TROP ÉLEVÉ À L'INTÉRIEUR DU VÉHICULE PEUT ÉGALEMENT AVOIR DES EFFETS IRRÉVERSIBLES SUR VOTRE AUDITION.

#### **MINIMISER L'AFFICHAGE EN COURS DE CONDUITE.**

La visualisation de l'affichage peut distraire le conducteur de la conduite du véhicule et, partant, de provoquer un accident.

#### **NE PAS DESASSEMBLER NI MODIFIER L'APPAREIL.**

Il y a un risque d'accident, d'incendie ou de choc électrique.

#### **A UTILISER UNIQUEMENT SUR DES VOITURES A MASSE NEGATIVE DE 12 VOLTS.**

(Vérifiez auprès de votre concessionnaire si vous n'en êtes pas certain.) Il y a un risque d'incendie, etc.

#### **GARDER LES PETITS OBJETS COMME LES PILES HORS DE PORTEE DES ENFANTS.**

L'ingestion de tels objets peut entraîner de graves blessures. En cas d'ingestion, consulter immédiatement un médecin.

#### **UTILISER DES FUSIBLES DE L'AMPERAGE APPROPRIE.**

Il y a un risque d'incendie ou de décharge électrique.

#### **NE PAS OBSTRUER LES SORTIES D'AIR NI LES PANNEAUX DU RADIATEUR.**

Une surchauffe interne peut se produire et provoquer un incendie.

#### **UTILISER CET APPAREIL POUR DES APPLICATIONS MOBILES DE 12 V.**

Toute utilisation autre que l'application désignée comporte un risque d'incendie, de choc électrique ou de blessure.

#### **NE PAS INTRODUIRE LES MAINS, LES DOIGTS NI DE CORPS TRANGERS DANS LES FENTES ET LES INTERSTICES.**

Il y a un risque de blessures ou de dommages à l'appareil.

### ATTENTION

Ce symbole désigne des instructions importantes. Le non-respect de ces instructions peut entraîner de graves blessures, ou des dégâts matériels.

#### **INTERROMPRE TOUTE UTILISATION EN CAS DE PROBLEME.**

Le non-respect de cette précaution peut entraîner des blessures ou endommager l'appareil. Retourner l'appareil auprès du distributeur Alpine agréé ou un centre de service après-vente Alpine en vue de la réparation.

### PRÉCAUTIONS

#### **Nettoyage du produit**

Nettoyez régulièrement le produit avec un chiffon doux et sec. En cas de taches tenaces, trempez le chiffon dans l'eau uniquement. Tout autre produit risque de dissoudre la peinture ou d'endommager le plastique.

#### **Température**

Assurez-vous que la température intérieure du véhicule est comprise entre +60°C (+140°F) et -10°C (+14°F) avant de mettre l'appareil sous tension.

#### **Condensation d'humidité**

Si le son est irrégulier pendant la lecture de CD, de l'humidité s'est probablement condensée. Dans ce cas, enlevez le disque du lecteur et attendez environ une heure pour que l'humidité s'évapore.

#### **Disque endommagé**

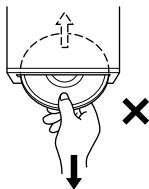
N'essayez pas de reproduire des disques craquelés, déformés ou endommagés sous peine de détériorer sérieusement le mécanisme de lecture.

#### **Entretien**

En cas de problème, n'essayez pas de réparer l'appareil vous-même. Rappelez l'appareil à votre revendeur Alpine, ou à défaut, apportez-le dans un centre de réparation Alpine.

## Ne tentez jamais d'effectuer les opérations suivantes

Ne saisissez pas ou ne tirez pas sur le disque pendant qu'il est attiré dans le lecteur par le mécanisme de recharge automatique. N'essayez pas d'insérer un disque dans l'appareil quand celui-ci est hors tension.

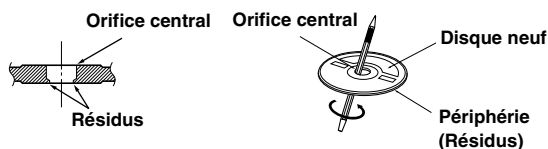


## Insertion des disques

Votre appareil ne peut lire qu'un seul disque à la fois. N'essayez donc pas de charger plusieurs disques. Insérez le disque en orientant vers le haut la face imprimée. Le message « ERROR » s'affiche sur l'appareil si le disque n'est pas correctement inséré. Si le message « ERROR » persiste alors que le disque est correctement inséré, appuyez sur l'interrupteur de réinitialisation avec un objet pointu (par exemple, un stylo à bille). L'écoute d'un disque sur une route très abimée peut provoquer des sautes de son, mais ne risque pas de rayer le disque ou d'endommager le lecteur.

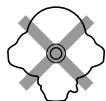
## Disques neufs

Pour éviter qu'un disque reste coincé, le message « ERROR » s'affiche si un disque n'est pas inséré correctement ou si sa surface est irrégulière. Si le lecteur éjecte un disque neuf chargé pour la première fois, touchez le contour de l'orifice central et de la périphérie du disque avec le doigt. Si le disque contient des résidus ou des irrégularités, il ne pourra pas être chargé. Pour enlever les résidus, passez un stylo à bille ou autre objet similaire sur le contour de l'orifice central et de la périphérie du disque, puis réinsérez-le.



## Disques de forme irrégulière

N'utilisez que des disques de forme ronde avec cet appareil à l'exclusion de tout autre. L'utilisation de disques de forme spéciale peut endommager le mécanisme.



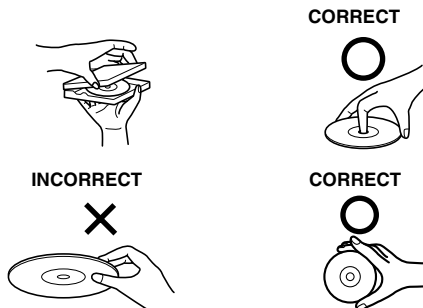
## Emplacement de montage

Veillez à ne pas installer l'appareil dans un endroit exposé :

- Directement au soleil ou à la chaleur
- À l'humidité et à l'eau
- Aux poussières excessives
- Aux vibrations excessives

## Manipulation correcte

Veillez à ne pas faire tomber le disque. Tenez le disque de manière à ne pas laisser d'empreintes sur la surface. Ne collez pas de ruban adhésif, papier ou étiquette sur le disque. N'écrivez pas sur le disque.



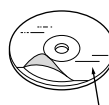
## Nettoyage des disques

Des traces de doigts, de poussière ou de saleté sur la surface du disque peuvent provoquer des sautes de son. Essayez le disque du centre vers la périphérie avec un chiffon doux et propre. Si la surface du disque est vraiment sale, humidifiez le chiffon d'une solution détergente neutre avant d'essuyer le disque.

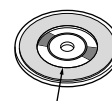


## Au sujet des accessoires pour disque

Beaucoup d'accessoires sont disponibles dans le commerce pour protéger la surface du disque et améliorer la qualité sonore. Cependant, certains de ces accessoires peuvent affecter l'épaisseur et/ou le diamètre du disque. L'utilisation de tels accessoires peut modifier les spécifications du disque et provoquer des erreurs de fonctionnement. Nous déconseillons l'utilisation de tels accessoires avec des disques à reproduire sur les lecteurs CD Alpine.



Feuille transparente



Stabilisateur de disque

---

## Manipulation des disques compacts (CD/CD-R/CD-RW)

- Ne touchez pas la surface du disque.
- N'exposez pas le disque à la lumière directe du soleil.
- N'apposez pas d'autocollants ou d'étiquettes sur le disque.
- Nettoyez le disque lorsqu'il est poussiéreux.
- Assurez-vous que le disque ne présente pas d'irrégularités.
- N'utilisez pas d'accessoires pour disques vendus dans le commerce.

**Ne laissez pas le disque dans la voiture ou dans l'appareil pendant une période prolongée. N'exposez jamais le disque à la lumière directe du soleil.** La chaleur et l'humidité risquent de l'endommager et d'empêcher son fonctionnement ultérieur.

## A l'attention des utilisateurs de CD-R/CD-RW

- S'il est impossible de lire un CD-R/CD-RW, assurez-vous que la dernière session d'enregistrement a bien été fermée (finalisée).
- Finalisez le CD-R/CD-RW si nécessaire, puis reprenez la lecture.

---

## A propos des supports susceptibles d'être lus

Utilisez exclusivement des disques compacts dont la face de l'étiquette fait apparaître les marques du logo CD ci-dessous.



Si vous utilisez des CD non spécifiés, les performances risquent de ne pas être correctes.

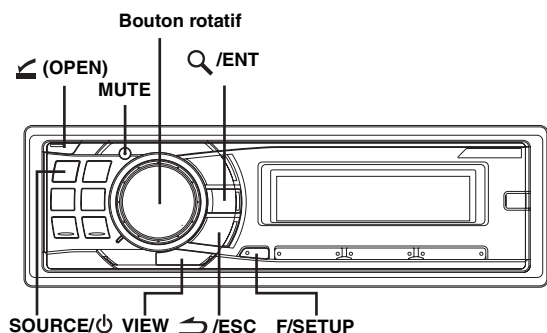
Vous pouvez lire des CD-R (CD-Recordable)/CD-RW (CD-ReWritable) enregistrés exclusivement sur des périphériques audio.

Vous pouvez également lire des CD-R/CD-RW contenant des fichiers audio au format MP3/WMA/AAC.

- Il est possible que cet appareil ne puisse pas lire certains disques : CD imparfaits, CD contenant des traces de doigt, CD exposés à des températures extrêmes ou aux rayons directs du soleil (abandonnés dans le véhicule ou dans l'appareil), CD enregistrés dans des conditions défavorables, CD sur lesquels un enregistrement a échoué ou qui ont fait l'objet d'une tentative de réenregistrement et CD protégés contre la copie qui ne sont pas conformes aux normes industrielles applicables aux CD audio.
- Utilisez des disques dont les fichiers MP3/WMA/AAC ont été créés dans un format compatible avec cet appareil. Pour plus d'informations, voir pages 11-12.
- Les données en mémoire ROM, autres que les fichiers audio contenus sur un disque, n'entraînent la production d'aucun son en cas de lecture.

- *Windows Media et le logo Windows sont des marques ou des marques déposées de Microsoft Corporation aux États-Unis et/ou dans d'autres pays.*
- *iPod est une marque commerciale de Apple Inc., déposée aux États-Unis et dans d'autres pays.*
- *« Technologie de codage audio MPEG Layer-3 sous licence Fraunhofer IIS et Thomson. »*
- *« La fourniture de ce produit ne confère qu'une licence pour une utilisation privée de nature non commerciale, mais ne confère aucune licence et n'implique aucun droit d'utiliser ce produit pour une diffusion commerciale (c'est-à-dire générant des recettes) en temps réel (par voie terrestre, satellite, câble et/ou tout autre support), une diffusion/lecture en transit via Internet, des intranets et/ou autres réseaux ou sur tout autre système de distribution de contenu électronique, tel que les applications audio à péage ou à la demande. Une licence indépendante est requise pour ce type d'utilisation. Pour plus de détails, visitez le site <http://www.mp3licensing.com> »*
- *Fabriqué sous licence d'Audyssey Laboratories MultEQ XT est une marque d'Audyssey Laboratories.*

# Mise en route



## Liste des accessoires

- Unité principale.....1
- Câble d'alimentation.....1
- Gaine de montage.....1
- Étui.....1
- Clé de déverrouillage.....2
- Vis (M5 x 8).....4
- Mode d'emploi..... 1 jeu

## Mise sous et hors tension

Appuyez sur **SOURCE/⏻** pour mettre l'appareil sous tension.

- Vous pouvez également mettre l'appareil sous tension en appuyant sur n'importe quelle autre touche à l'exception de ↙ (OPEN) et VIEW.

Maintenez la touche **SOURCE/⏻** enfoncée pendant **2 secondes au moins** pour éteindre l'appareil.

- La première fois que l'appareil est mis sous tension, le volume initial commence au niveau 12.

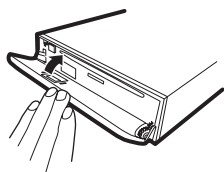
## Retrait et pose du panneau avant

### Retrait

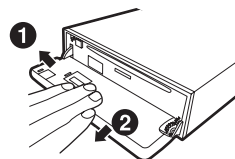
- 1 Mettez l'appareil hors tension.
- 2 Appuyez sur ↙ (OPEN) pour ouvrir le panneau avant.



Pour le refermer, appuyez sur le côté gauche jusqu'à ce qu'il se ferme (voir schéma ci-dessous).



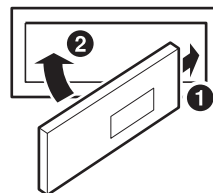
- 3 Saisissez fermement le panneau avant, faites-le glisser vers la gauche ①, puis tirez ② pour le retirer.



- Le panneau avant peut chauffer en cours de fonctionnement normal (surtout au niveau des bornes des connecteurs à l'arrière du panneau avant). Il ne s'agit pas d'un dysfonctionnement.
- Afin de protéger le panneau avant, rangez-le dans l'étui fourni.
- Ne forcez pas sur le panneau avant lors du retrait, car vous pourriez provoquer un dysfonctionnement.
- Ne laissez pas le panneau avant ouvert et veillez à le fermer lors de la conduite car vous pourriez provoquer un accident ou endommager l'appareil.

### Pose

- 1 Insérez le côté droit du panneau avant dans l'appareil. Alignez la rainure du panneau avant sur les saillies de l'appareil.
- 2 Poussez sur le côté gauche du panneau avant jusqu'à ce qu'il s'enclenche à fond dans l'appareil.

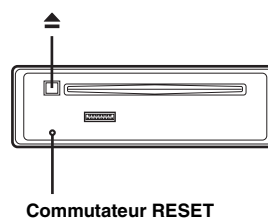


- Avant de fixer le panneau avant, vérifiez qu'il n'y a pas de poussière ni de saleté sur les bornes du connecteur et qu'aucun objet ne se trouve entre le panneau avant et l'appareil.
- Fixez soigneusement le panneau avant, en le tenant par les côtés pour éviter d'appuyer sur les touches par inadvertance.

## Mise en service de l'appareil

Appuyez sur le commutateur RESET lorsque vous utilisez l'appareil pour la première fois, après avoir changé la batterie de la voiture, etc.

- 1 Mettez l'appareil hors tension.
- 2 Appuyez sur ↙ (OPEN) pour ouvrir le panneau avant, puis retirez-le.
- 3 Appuyez sur **RESET** avec un stylo à bille ou un objet pointu.



## Réglage du volume

Tournez le **bouton rotatif** jusqu'à ce que vous obteniez le niveau souhaité.

## Diminution rapide du volume

L'activation de la fonction de silencieux diminue instantanément le volume de 20 dB.

Appuyez sur **MUTE** pour activer le mode MUTE.

Le niveau sonore diminue d'environ 20 dB.

Appuyez à nouveau sur **MUTE** pour rétablir le son au niveau précédent.

## Réglage de l'heure

- 1 Maintenez la touche **F/SETUP** enfoncée pendant 2 secondes au moins pour activer le mode de sélection **SETUP**.
- 2 Tournez le **bouton rotatif** pour sélectionner le mode **CLOCK ADJUST**, puis appuyez sur **Q/ENT**.
- 3 Tournez le **bouton rotatif** pour régler les heures.
- 4 Appuyez sur **Q/ENT**.
- 5 Répétez les étapes 3 et 4 décrites ci-dessus pour régler les minutes.
- 6 Maintenez la touche **F/SETUP** enfoncée pendant 2 secondes au moins pour revenir au mode normal.

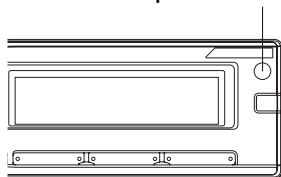
- Appuyez sur **↶/ESC** pour revenir au mode **SETUP** précédent.
- Si aucune opération n'est exécutée pendant 60 secondes, le mode **SETUP** est annulé.
- Pour synchroniser l'horloge sur une autre horloge/montre ou annonce de l'heure à la radio, maintenez la touche **Q/ENT** enfoncée pendant 2 secondes au moins après avoir réglé les « heures ». Les minutes sont remises à zéro (00). Si l'affichage dépasse « 30 » minutes pendant que vous effectuez cette opération, l'horloge avance d'une heure.

### Commandable à distance

Cet appareil peut être commandé à distance à l'aide d'une télécommande Alpine. Pour obtenir des informations détaillées à ce sujet, prenez contact avec votre revendeur Alpine.

Dirigez l'émetteur de télécommande en option vers le capteur de télécommande.

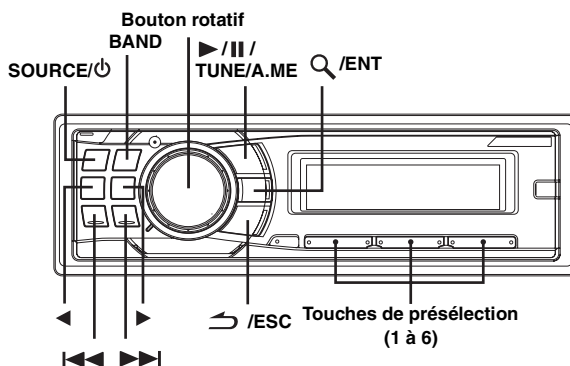
Capteur de télécommande



### Raccordement à un boîtier d'interface télécommande possible

Cet appareil peut être commandé à partir des commandes audio du véhicule. Vous devez utiliser un boîtier d'interface télécommande Alpine en option. Pour obtenir des informations détaillées à ce sujet, consultez votre revendeur Alpine.

## Radio



Cet appareil ne peut pas recevoir les signaux HD Radio™ (radio numérique terrestre). Pour activer les fonctions de radio numérique décrites ci-dessous, un module tuner HD Radio en option doit être raccorder par l'intermédiaire du bus Ai-NET.

Technologie HD Radio™ fabriquée sous licence de iBiquity Digital Corporation. iBiquity Digital, ainsi que les symboles HD Radio et HD, sont des marques d'iBiquity Digital Corporation. Brevets déposés aux États-Unis et dans d'autres pays.

## Écoute de la radio

- 1 Appuyez sur **SOURCE/⏻** pour sélectionner le mode **TUNER**.
- 2 Appuyez plusieurs fois sur **BAND** jusqu'à ce que la gamme souhaitée soit affichée.
- 3 Appuyez sur **TUNE/A.ME** pour sélectionner le mode de syntonisation.

F1 (FM1) → F2 (FM2) → AM → F1 (FM1)

DX SEEK (Mode distance) → SEEK (Mode local) → OFF (Mode manuel) → DX SEEK (Mode distance)

- Le mode distance est sélectionné initialement.

### Mode distance :

Toutes les stations à signal puissant ou faible sont captées automatiquement (accord par recherche automatique).

### Mode local :

Seules les stations à signal puissant sont captées automatiquement (accord par recherche automatique).

### Mode manuel :

La fréquence est accordée manuellement par étapes (accord manuel).

- 4 Appuyez sur **◀◀** ou **▶▶** pour accorder l'appareil sur la station souhaitée.

Si vous maintenez **◀◀** ou **▶▶** enfoncée, la fréquence change en continu.

- Si **Digital Seek** est réglé sur **ON**, les fonctions **SEEK UP/DOWN** s'arrêtent uniquement sur les fréquences et stations numériques en cas de réception de la radio **HD**. Reportez-vous à la section « Réglage Digital Seek ON/OFF » (page 18).

## Présélection manuelle des stations

- 1 **Sélectionnez la gamme d'ondes et accordez la station que vous souhaitez mémoriser.**
- 2 **Maintenez enfoncée pendant 2 secondes au moins une des touches de présélection (1 à 6) dans laquelle vous souhaitez enregistrer la station.**  
La station sélectionnée est mémorisée.  
L'affichage indique la gamme, le numéro de présélection et la fréquence de la station mémorisée.

- Vous pouvez mémoriser 18 stations au total (6 stations sur chaque gamme ; FM1, FM2 et AM).
- Si vous mémorisez une station sur une présélection qui a déjà été utilisée pour une autre station, cette station sera effacée et remplacée par la nouvelle.

## Présélection automatique des stations

- 1 **Appuyez plusieurs fois sur BAND jusqu'à ce que la gamme souhaitée soit affichée.**
- 2 **Maintenez la touche TUNE/A.ME enfoncée pendant au moins 2 secondes.**  
La fréquence change continuellement à l'écran pendant la mémorisation automatique. Le tuner recherche et mémorise automatiquement les 6 stations les plus puissantes sur la gamme sélectionnée. Elles seront mémorisées sous les touches de présélection 1 à 6, dans l'ordre de la puissance des signaux.  
Quand la mémorisation automatique est terminée, le tuner revient à la station mémorisée sous la touche de présélection 1.

- Si aucune station n'est mémorisée, le tuner revient à la station que vous écoutiez avant que la mémorisation automatique ne commence.

## Accord d'une station présélectionnée

- 1 **Appuyez plusieurs fois sur BAND jusqu'à ce que la gamme souhaitée soit affichée.**
- 2 **Appuyez sur l'une des touches de présélection (1 à 6) sous laquelle la station de votre choix est présélectionnée.**  
L'affichage indique la gamme, le numéro de présélection et la fréquence de la station sélectionnée.

## Fonction de recherche de la fréquence

Vous pouvez rechercher une station radio par sa fréquence.

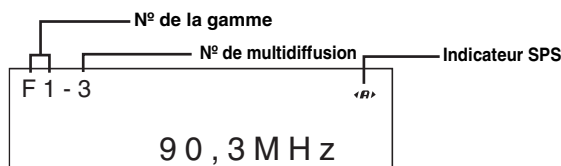
- 1 **Maintenez la touche Q/ENT enfoncée pendant 2 secondes au moins en mode radio pour activer le mode de recherche des fréquences.**
  - 2 **Tournez le bouton rotatif pour sélectionner la fréquence de votre choix.**
  - 3\* **Appuyez sur Q/ENT pour capter la fréquence sélectionnée.**  
\* Étape superflue en mode de réception HD Radio.
- Maintenez la touche ↵/ESC enfoncée pendant 2 secondes au moins en mode de recherche pour annuler. Le mode de recherche est aussi annulé si aucune opération n'est exécutée dans les 10 secondes.

## Réception d'une station de multidiffusion (Mode HD Radio uniquement)

La multidiffusion est la possibilité de diffuser plusieurs flux de programmes sur une seule fréquence FM, cela augmente le nombre et la diversité des contenus proposés. Cet appareil peut sélectionner jusqu'à huit canaux de station de multidiffusion.

**Lorsqu'une station de multidiffusion est captée, le numéro du programme et l'indicateur SPS s'allument. Appuyez sur ◀ ou ▶ pour sélectionner le service de programme souhaité.**

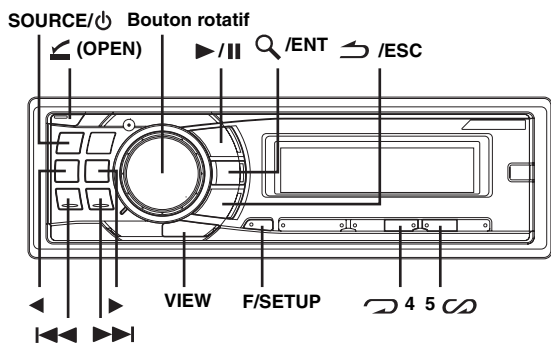
Réception du service de programme de station de multidiffusion.



Exemple de service de programme :

Station de radio de multidiffusion	N° programme	Service de programme
90,3 MHz	N°1	MPS : Service de programme principal
90,3 MHz	N°2	SPS : Service de programme secondaire
90,3 MHz	N°3	SPS : Service de programme secondaire
90,3 MHz	N°8	SPS : Service de programme secondaire

# CD/MP3/WMA/AAC



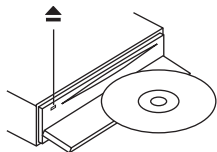
## Lecture

### 1 Appuyez sur **(OPEN)**.

Le panneau avant s'ouvre.

### 2 Insérez un disque avec la face imprimée vers le haut.

Le disque pénètre automatiquement dans le lecteur.



Refermez le panneau avant ; l'indicateur « DISC IN » s'allume.

Si un disque est déjà inséré, appuyez sur SOURCE/⏻ pour passer au mode DISC.

TUNER → XM RADIO/SIRIUS\*<sup>1</sup> → DISC → iPod\*<sup>2</sup>/AUX+\*<sup>3</sup> → BT AUDIO\*<sup>4</sup> → CHANGER\*<sup>5</sup> → TUNER

\*<sup>1</sup> Uniquement lorsqu'un récepteur XM Radio ou SIRIUS Radio est raccordé.

\*<sup>2</sup> Affiché uniquement lorsque l'iPod est raccordé et que AUX+ SETUP est réglé sur OFF ; reportez-vous à la section « Réglage du mode de configuration AUX+ SETUP » (page 18).

\*<sup>3</sup> Affiché uniquement lorsque AUX+ SETUP est réglé sur ON ; reportez-vous à la section « Réglage du mode de configuration AUX+ SETUP » (page 18).

\*<sup>4</sup> Affiché uniquement lorsque BLUETOOTH IN est réglé sur ADAPTER ; reportez-vous à la section « Réglage de la connexion Bluetooth » (page 17).

\*<sup>5</sup> Uniquement lorsqu'un changeur CD est raccordé.

### 3 Pendant la lecture d'un fichier MP3/WMA/AAC, appuyez sur **◀** ou **▶** pour sélectionner le dossier de votre choix.

Appuyez sur la touche **◀** ou **▶** et maintenez-la enfoncée pour parcourir les dossiers.

### 4 Appuyez sur **◀◀** ou **▶▶** pour sélectionner la piste (fichier) désirée.

**Retour au début de la piste (fichier) en cours :**

Appuyez sur **◀◀**.

**Recherche rapide vers l'arrière :**

Maintenez la touche **◀◀** enfoncée.

**Avance jusqu'au début de la piste (fichier) suivante :**

Appuyez sur **▶▶**.

**Recherche rapide vers l'avant :**

Maintenez la touche **▶▶** enfoncée.

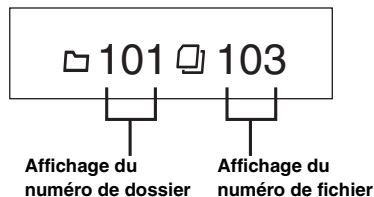
**5 Pour interrompre la lecture, appuyez sur **>/||** .**  
Appuyez à nouveau sur **>/||** pour reprendre la lecture.

**6 Après avoir appuyé sur **◀ (OPEN)** pour ouvrir le panneau avant, appuyez sur **▲** pour éjecter le disque.**

- Ne retirez pas un CD pendant l'éjection. Ne chargez pas plus d'un disque à la fois. Dans les deux cas, cela pourrait entraîner une défaillance de l'appareil.
- Si le CD ne s'éjecte pas, maintenez la touche **▲** enfoncée pendant 2 secondes au moins.
- L'indicateur « DISC IN » s'allume lorsque vous insérez un disque.
- Le lecteur de CD peut lire des disques contenant des données audio, MP3, WMA et AAC.
- « MP3 » s'affiche pendant la lecture du fichier MP3.
- « WMA » s'affiche pendant la lecture du fichier WMA.
- « AAC » s'affiche pendant la lecture du fichier AAC.
- Les fichiers au format WMA protégés par DRM (Digital Rights Management), les fichiers AAC achetés sur iTunes Music Store et les fichiers protégés contre la copie (protection des droits d'auteur) ne peuvent pas être lus sur cet appareil.
- L'affichage des pistes pour la lecture de données MP3/WMA/AAC correspond aux numéros des fichiers enregistrés sur le disque.
- Pendant la lecture d'un fichier VBR (Variable Bit rates), le temps écoulé risque de ne pas s'afficher correctement.

### Affichage pendant la lecture de fichiers MP3/WMA/AAC

Le numéro de dossier et le numéro de fichier s'affichent de la manière décrite ci-dessous.



- Appuyez sur **VIEW** pour basculer l'affichage. Pour plus d'informations sur la commutation de l'affichage, consultez la section « Affichage du texte » (page 15).

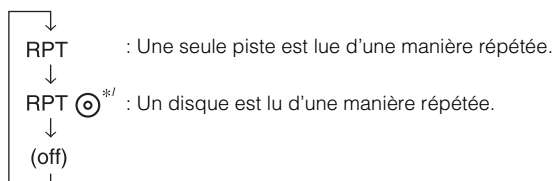
## Lecture répétée

**Appuyez sur **↶ 4** pour répéter la piste en cours de lecture.**

La lecture de la piste (fichier) est répétée.

Appuyez une nouvelle fois sur **↶ 4**, puis sélectionnez OFF pour arrêter la lecture répétée.

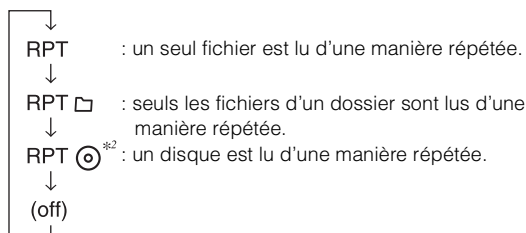
Mode CD :



\*<sup>1</sup> Si un changeur CD est raccordé.

- Si RPT est réglé sur ON au cours de la lecture M.I.X. en mode changeur CD, M.I.X. ne s'applique qu'au disque en cours.

Mode MP3/WMA/AAC :




\*2 Si un changeur CD compatible MP3 est raccordé.

- Si un changeur CD ou un changeur CD compatible MP3 est raccordé : Après avoir appuyé sur **F/SETUP** pour sélectionner le mode de fonctionnement (RPT/M.I.X.), effectuez cette opération dans les 10 secondes.

## M.I.X. (Lecture aléatoire)

Appuyez sur **5**  en mode de lecture ou de pause.

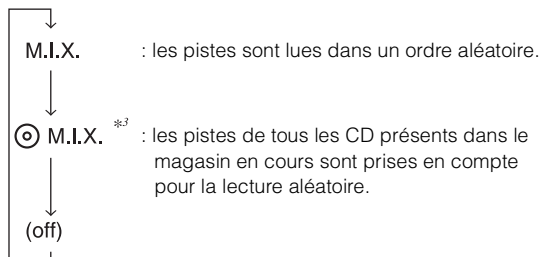
Les pistes (fichiers) du disque sont reproduites dans un ordre aléatoire.

Pour désactiver la lecture M.I.X., appuyez de nouveau sur **5** .

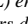
Mode CD interne :



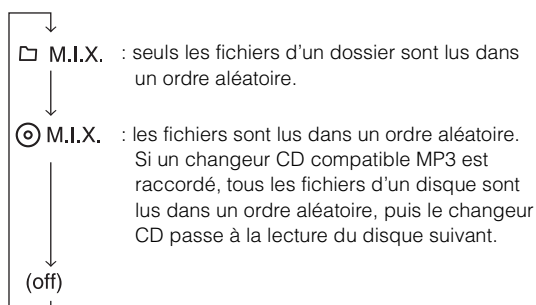
Mode Changeur CD :



\*3 En cas de raccordement d'un changeur CD doté de la fonction ALL M.I.X.

- Si M.I.X. est réglé sur ON pendant la lecture RPT  (REPEAT ALL) en mode changeur CD, M.I.X. ne s'applique qu'au disque en cours de lecture.




Mode MP3/WMA/AAC :



- Si un changeur CD ou un changeur CD compatible MP3 est raccordé : Après avoir appuyé sur **F/SETUP** pour sélectionner le mode de fonctionnement (RPT/M.I.X.), effectuez cette opération dans les 10 secondes.

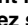

## Recherche de CD-texte

Si le disque est muni de la fonction de CD-texte, vous pouvez rechercher et lire les morceaux à l'aide des titres enregistrés sur le disque. Si le disque n'est pas muni de la fonction de CD-texte, les recherches sont effectuées à l'aide du numéro de piste associé à chaque morceau.



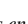
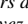
- 1 Appuyez sur  /ENT pendant la lecture.**  
Vous passez ainsi en mode de recherche.
  - 2 Tournez le bouton rotatif pour sélectionner la piste de votre choix, puis appuyez sur  /ENT.**  
La lecture de la piste sélectionnée commence.
- Maintenez la touche  /ESC enfoncée pendant 2 secondes au moins en mode de recherche pour annuler. Le mode de recherche est également annulé si aucune opération n'est exécutée dans les 10 secondes.
  - Lorsque la recherche à partir du CD-texte est effectuée lors de la lecture M.I.X., le mode de lecture M.I.X. est annulé.

## Recherche par nom de fichier/dossier (fichiers MP3/WMA/AAC)




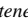
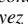
Les noms de fichier et de dossier peuvent être recherchés et affichés pendant la lecture.

- 1 Pendant la lecture d'un fichier MP3/WMA/AAC, appuyez sur  /ENT pour activer le mode de recherche.**
- 2 Tournez le bouton rotatif pour sélectionner le mode de recherche par nom de dossier ou par nom de fichier, puis appuyez sur  /ENT.**

### Mode de recherche par nom de dossier

- 3 Tournez le bouton rotatif pour sélectionner le dossier souhaité.**
  - 4 Maintenez la touche  /ENT enfoncée pendant 2 secondes au moins pour lire le premier fichier du dossier sélectionné.**
- Maintenez la touche  /ESC enfoncée pendant 2 secondes au moins en mode de recherche pour annuler. Le mode de recherche est également annulé si aucune opération n'est exécutée dans les 10 secondes.
  - Pour rechercher des fichiers en mode de recherche par nom de dossier, appuyez sur  /ENT. Il est alors possible de rechercher des fichiers dans le dossier.
  - Appuyez sur  /ESC pour quitter le mode de recherche par nom de dossier à l'étape 3 et sélectionner le mode de recherche par nom de fichier.
  - Le dossier racine s'affiche comme suit : « ----- ».
  - Lorsque la recherche par nom de dossier est effectuée pendant la lecture M.I.X., le mode de lecture M.I.X. est annulé.


### Mode de recherche par nom de fichier

- 3 Appuyez sur  ou  pour sélectionner un autre dossier.**
  - 4 Sélectionnez le fichier souhaité à l'aide du bouton rotatif.**
  - 5 Appuyez sur  /ENT pour lire le fichier sélectionné.**
- Maintenez la touche  /ESC enfoncée pendant 2 secondes au moins en mode de recherche pour annuler. Le mode de recherche est également annulé si aucune opération n'est exécutée dans les 10 secondes.
  - Appuyez sur  /ESC en mode de recherche pour revenir au mode précédent.
  - Lorsque la recherche par nom de fichier est effectuée pendant la lecture M.I.X., le mode de lecture M.I.X. est annulé.




## Recherche rapide

Vous pouvez rechercher toutes les pistes (fichiers).

**1 Appuyez sur  /ENT pendant 2 secondes au moins en mode CD/Changeur/MP3/WMA/AAC pour activer le mode de recherche rapide.**

**2 Tournez le bouton rotatif pour sélectionner la piste (fichier) souhaitée.**

La piste sélectionnée est lue immédiatement.

- *Maintenez la touche  /ESC enfoncée pendant 2 secondes au moins en mode de recherche pour annuler. Le mode de recherche est également annulé si aucune opération n'est exécutée dans les 10 secondes.*

## À propos des fichiers MP3/WMA/AAC

### ATTENTION

À l'exception d'un usage personnel, la copie et le transfert de données audio (y compris de données MP3/WMA/AAC), gratuitement ou contre rémunération, sans l'autorisation du détenteur du copyright sont strictement interdits par le Copyright Act et par un traité international.

### Que signifie MP3 ?

MP3, dont le nom officiel est « MPEG-1 Audio Layer 3 », est une norme de compression prescrite par l'ISO, Organisation Internationale de Normalisation, et MPEG, une institution conjointe de la CEI.

Les fichiers MP3 contiennent des données audio comprimées. L'encodage MP3 peut comprimer les données audio à des taux très élevés en réduisant les fichiers musicaux à 10 % de leur taille originale, tout en conservant une qualité proche de la qualité du CD. Le format MP3 parvient à de tels taux de compression en éliminant les sons inaudibles à l'oreille humaine ou masqués par d'autres sons.

### Que signifie AAC ?

AAC est l'abréviation de « Advanced Audio Coding » et est un format de base de la compression audio utilisée par MPEG2 ou MPEG4.

### Que signifie WMA ?

WMA ou « Windows Media™ Audio » correspond à des données audio compressées. Les données audio WMA sont semblables aux données MP3 et peuvent offrir la même qualité de son que celle des CD avec des fichiers de petite taille.

### Méthode de création de fichiers MP3/WMA/AAC

Les données audio sont compressées à l'aide des codecs MP3/WMA/AAC. Pour plus de détails sur la création de fichiers MP3/WMA/AAC, reportez-vous au guide de l'utilisateur du logiciel. Les fichiers MP3/WMA/AAC pouvant être reproduits sur cet appareil possèdent les extensions de fichier suivantes.  
MP3 : « mp3 »  
WMA : « wma » (les versions 7,1, 8 et 9 sont prises en charge)  
AAC : « m4a »

Il existe différentes versions du format AAC. Assurez-vous que le logiciel utilisé est conforme à l'un des formats reconnus énumérés ci-dessus. Il est possible que le format soit illisible, malgré que l'extension soit correcte. La lecture des fichiers AAC encodés par iTunes est prise en charge.

### Taux d'échantillonnage et débit binaire de lecture pris en charge

#### MP3

Taux d'échantillonnage : 48 kHz, 44,1 kHz, 32 kHz, 24 kHz, 22,05 kHz, 16 kHz, 12 kHz, 11,025 kHz, 8 kHz

Débit binaire : 8 - 320 kbps

#### WMA

Taux d'échantillonnage : 48 kHz, 44,1 kHz, 32 kHz

Débit binaire : 48 - 192 kbps

#### AAC

Taux d'échantillonnage : 48 kHz, 44,1 kHz, 32 kHz, 24 kHz, 22,05 kHz, 16 kHz, 12 kHz, 11,025 kHz, 8 kHz

Débit binaire : 16 - 320 kbps

En fonction des taux d'échantillonnage, la lecture sur cet appareil peut être incorrecte.

### Tags ID3/tags WMA

Cet appareil prend en charge les tags ID3 tag v1 et v2 et les tags WMA.

Si un fichier MP3/WMA/AAC contient des données de tag ID3/tag WMA, cet appareil peut afficher le titre (titre de la piste), le nom de l'artiste et le nom de l'album des données de tag ID3/tag WMA.

Cet appareil peut uniquement afficher des caractères alphanumériques d'un octet (jusqu'à 30 pour les tags ID3 et 15 pour les tags WMA) et le trait de soulignement. Pour les caractères non pris en charge, l'écran affiche NO SUPPORT. Les informations de tags peuvent ne pas s'afficher correctement en fonction du contenu.

### Création de disques contenant des données MP3/WMA/AAC

Les fichiers MP3/WMA/AAC sont préparés, puis écrits sur un CD-R ou CD-RW à l'aide d'un logiciel d'écriture. Un disque peut contenir jusqu'à 510 fichiers/dossiers (dossiers racines compris) tandis que le nombre maximal de dossiers est de 255. Si un disque dépasse ces limites, la lecture risque de s'avérer impossible.

### Supports pris en charge

Les supports pouvant être lus par cet appareil sont les CD-ROM, les CD-R et les CD-RW.

### Systèmes de fichiers correspondants

Cet appareil prend en charge les disques au format ISO9660 Niveau 1 ou Niveau 2.

Pour la norme ISO9660, certaines restrictions doivent être respectées.

Le nombre maximal de fichiers imbriqués est 8 (répertoire racine compris). Le nombre de caractères d'un nom de dossier/fichier est limité.

Les caractères valides pour les noms de dossiers/fichiers sont les lettres A à Z (en majuscule), les nombres 0 à 9 et « \_ » (trait de soulignement).

Cet appareil peut également lire des disques au format Joliet, Romeo, etc., ainsi que d'autres formats conformes à la norme ISO9660. Cependant, les noms de fichiers, de dossiers, etc., n'apparaissent parfois pas correctement.

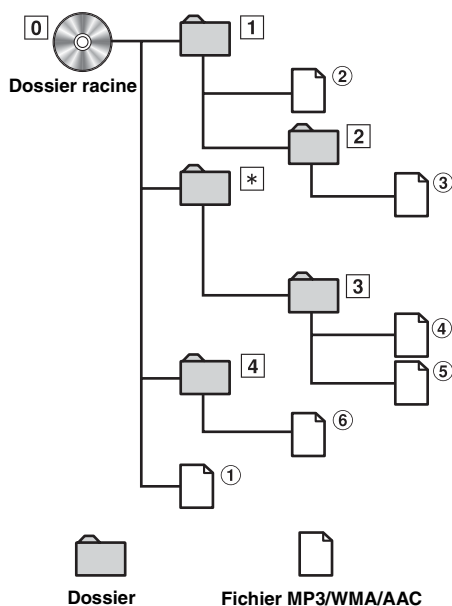
### Formats pris en charge

Cet appareil peut lire les CD-ROM XA, les Mixed Mode CD (mixtes), les Enhanced CD (améliorés) (CD-Extra) et les Multi-Session.

Cet appareil ne peut pas lire correctement les disques enregistrés en Track At Once (piste à piste) ou en écriture par paquets.

## Ordre des fichiers

Les fichiers sont lus dans l'ordre où ils sont écrits sur le disque par le logiciel d'enregistrement. L'ordre de lecture ne correspond donc peut-être pas à ce que vous souhaitez. Vérifiez l'ordre d'écriture dans la documentation du logiciel. L'ordre de lecture des dossiers et des fichiers est le suivant.



\* Le numéro de dossier/nom de fichier n'est pas affiché si le dossier ne contient aucun fichier.

## Terminologie

### Débit binaire

Il s'agit du taux de compression du « son » spécifié pour l'encodage. Plus il est élevé, plus la qualité sonore est bonne, mais plus la taille des fichiers est importante.

### Taux d'échantillonnage

Cette valeur indique combien de fois par seconde les données sont échantillonnées (enregistrées). Par exemple, les CD de musique utilisent un taux d'échantillonnage de 44,1 kHz, le niveau de son est donc échantillonné (enregistré) 44 100 fois par seconde. Plus le taux d'échantillonnage est élevé, plus la qualité du son est bonne, mais plus le volume des données est important.

### Encodage

Conversion des CD de musique, des fichiers WAVE (AIFF) et d'autres fichiers de son au format de compression audio spécifié.

### Tag

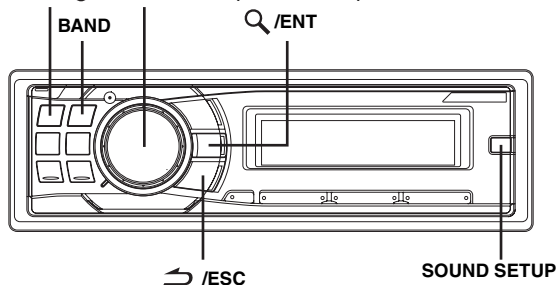
Informations concernant les morceaux, telles que titres des pistes, noms d'artiste, noms d'album, etc., écrites dans les fichiers MP3/WMA/AAC.

### Dossier racine

Le dossier racine (auss appelé répertoire racine) se trouve au sommet du système de fichiers. C'est lui qui contient l'ensemble des dossiers et fichiers. Il est automatiquement créé chaque fois qu'un disque est gravé.

# Réglage du son

SOURCE/⏻ Bouton rotatif (AUDIO/LOUD)



## Réglage du niveau du subwoofer, du niveau des graves, du niveau des aigus, de la balance droite et gauche, de l'équilibreur avant/arrière et de la fonction Defeat

### 1 Appuyez plusieurs fois sur le bouton rotatif (AUDIO) pour sélectionner le mode souhaité.

À chaque pression, le mode change de la façon suivante :

SUBW LEVEL\* → BASS LEVEL → TREBLE LEVEL →  
BALANCE → FADER → DEFEAT → VOLUME →  
SUBW LEVEL

Niveau du subwoofer : 0 ~ +15

Niveau des graves : -7 ~ +7

Niveau des aigus : -7 ~ +7

Balance : L15 ~ R15

Équilibreur : R15 ~ F15

Defeat : ON/OFF

Volume : 0 ~ 35

- Si aucune opération n'est exécutée dans les 5 secondes qui suivent la sélection du mode SUBW LEVEL, BASS LEVEL, TREBLE LEVEL, BALANCE, FADER ou DEFEAT, l'appareil revient automatiquement au mode normal.

\* Lorsque le mode subwoofer est réglé sur OFF, son niveau ne peut pas être ajusté. Reportez-vous à la section « ON/OFF du subwoofer » (page 14).

### 2 Tournez le bouton rotatif jusqu'à ce que le son désiré soit obtenu dans chaque mode.

Lorsque vous activez la fonction DEFEAT, les valeurs par défaut des paramètres BASS et TREBLE précédemment sont rétablies.

- Selon l'appareil raccordé, certaines fonctions n'apparaissent pas sur l'affichage.

## Réglage du niveau du subwoofer

Vous pouvez modifier le niveau du subwoofer de manière à créer la tonalité de votre choix.

**1** Appuyez sur **SOUND SETUP** pour activer le mode de réglage du son.

**2** Tournez le **bouton rotatif** pour sélectionner le mode de réglage du niveau du subwoofer (**SUBW LEVEL**), puis appuyez sur **Q/ENT**.

SUBW LEVEL\*<sup>1</sup> ↔ BASS\*<sup>2</sup> ↔ TREBLE\*<sup>2</sup> ↔ HPF\*<sup>2</sup>  
↔ SUBW LEVEL

**3** Tournez le **bouton rotatif** pour sélectionner le niveau du subwoofer souhaité (0~+15).

- Si vous n'exécutez aucune opération dans les 15 secondes, l'appareil revient automatiquement au mode normal.
- Lorsque le subwoofer est réglé sur OFF et le mode DEFEAT sur ON, il est impossible d'appuyer momentanément sur la touche SOUND SETUP.

\*<sup>1</sup> Lorsque le mode subwoofer est réglé sur OFF, son niveau ne peut pas être ajusté ; reportez-vous à la section « ON/OFF du subwoofer » (page 14).

Vous pouvez également effectuer le réglage en appuyant sur le **bouton rotatif (AUDIO)**. Reportez-vous à la section « Réglage du niveau du subwoofer, du niveau des graves, du niveau des aigus, de la balance droite et gauche, de l'équilibreur avant/arrière et de la fonction Defeat » (page 12).

\*<sup>2</sup> Cette fonction est inopérante lorsque DEFEAT est réglé sur ON.

## Réglage de la commande des graves

Vous pouvez modifier les réglages de la commande des graves de manière à créer la tonalité de votre choix.

**1** Appuyez sur **SOUND SETUP** pour activer le mode de réglage du son.

**2** Tournez le **bouton rotatif** pour sélectionner le mode de réglage des graves (**BASS**), puis appuyez sur **Q/ENT**.

SUBW LEVEL\*<sup>3</sup> ↔ BASS\*<sup>4</sup> ↔ TREBLE\*<sup>4</sup> ↔ HPF\*<sup>4</sup>  
↔ SUBW LEVEL

## Réglage de la fréquence centrale des graves

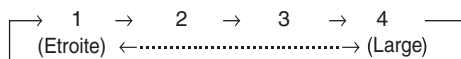
**3-1** Appuyez sur **BAND** pour sélectionner la fréquence centrale des graves de votre choix.

80 Hz → 100 Hz → 200 Hz → 60 Hz → 80 Hz

Accentue les gammes de fréquence des graves affichées.

## Réglage de la largeur de bande des graves

**3-2** Appuyez sur **SOURCE/φ** pour sélectionner la largeur de bande des graves de votre choix.



Modifie la largeur de bande des graves accentuées en large ou étroite. Un réglage large accentue une large plage de fréquences au-dessus et en dessous de la fréquence centrale. Par contre, un réglage étroit n'accentue que les fréquences proches de la fréquence centrale.

## Réglage du niveau des graves

**3-3**\*<sup>5</sup> Tournez le **bouton rotatif** pour sélectionner le niveau des graves souhaité (-7~+7).

Vous pouvez accentuer ou affaiblir le niveau des graves.

**4** Maintenez la touche **↵/ESC** enfoncée pendant **2 secondes au moins** pour revenir au mode normal.

- Si vous n'exécutez aucune opération dans les 15 secondes, l'appareil revient automatiquement au mode normal.
- Les réglages du niveau des graves sont mémorisés séparément pour chaque source (FM, AM, CD, etc.) jusqu'à ce qu'ils soient modifiés. Une fois la fréquence des graves et la largeur de bande des graves réglées pour l'une des sources, ce réglage est appliqué à toutes les autres sources (FM, AM, CD, etc.).
- Selon l'appareil raccordé, certaines fonctions n'apparaissent pas sur l'affichage. Toutefois, il est possible de régler le niveau des graves si un processeur audio muni de la fonction de graves est raccordé.
- Lorsque le subwoofer est réglé sur OFF et le mode DEFEAT sur ON, il est impossible d'appuyer momentanément sur la touche SOUND SETUP.

\*<sup>3</sup> Lorsque le mode subwoofer est réglé sur OFF, son niveau ne peut pas être ajusté. Reportez-vous à la section « ON/OFF du subwoofer » (page 14).

\*<sup>4</sup> Cette fonction est inopérante lorsque DEFEAT est réglé sur ON.

\*<sup>5</sup> Vous pouvez également effectuer ce réglage en appuyant sur le **bouton rotatif (AUDIO)**. Reportez-vous à la section « Réglage du niveau du subwoofer, du niveau des graves, du niveau des aigus, de la balance droite et gauche, de l'équilibreur avant/arrière et de la fonction Defeat » (page 12).

## Réglage de la commande des aigus

Vous pouvez changer les réglages de la commande des aigus de manière à créer la tonalité de votre choix.

**1** Appuyez sur **SOUND SETUP** pour activer le mode de réglage du son.

**2** Tournez le **bouton rotatif** pour sélectionner le mode de réglage des aigus (**TREBLE**), puis appuyez sur **Q/ENT**.

SUBW LEVEL\*<sup>6</sup> ↔ BASS\*<sup>7</sup> ↔ TREBLE\*<sup>7</sup> ↔ HPF\*<sup>7</sup>  
↔ SUBW LEVEL

## Réglage de la fréquence centrale des aigus

**3-1** Appuyez sur **BAND** pour sélectionner la fréquence centrale des aigus de votre choix.

10,0 kHz → 12,5 kHz → 15,0 kHz → 17,5 kHz → 10,0 kHz

Accentue les gammes de fréquence des aigus.

## Réglage du niveau des aigus

**3-2**\*<sup>8</sup> Tournez le **bouton rotatif** pour sélectionner le niveau des aigus souhaité (-7~+7).

Vous pouvez accentuer ou affaiblir le niveau des aigus.

**4** Maintenez la touche **↵/ESC** enfoncée pendant **2 secondes au moins** pour revenir au mode normal.

- Si vous n'exécutez aucune opération dans les 15 secondes, l'appareil revient automatiquement au mode normal.
- Les réglages du niveau des aigus sont mémorisés séparément pour chaque source (FM, AM, CD, etc.) jusqu'à ce qu'ils soient modifiés. Une fois la fréquence des aigus réglée pour l'une des sources, ce réglage est appliqué à toutes les autres sources (FM, AM, CD, etc.).

- Selon l'appareil raccordé, certaines fonctions n'apparaissent pas sur l'affichage. Toutefois, il est possible de régler le niveau des aigus si un processeur audio muni de la fonction d'aigus est raccordé.
- Lorsque le subwoofer est réglé sur OFF et le mode DEFEAT sur ON, il est impossible d'appuyer momentanément sur la touche SOUND SETUP.

\*<sup>6</sup> Lorsque le mode subwoofer est réglé sur OFF, son niveau ne peut pas être ajusté. Reportez-vous à la section « ON/OFF du subwoofer » (page 14).

\*<sup>7</sup> Cette fonction est inopérante lorsque DEFEAT est réglé sur ON.

\*<sup>8</sup> Vous pouvez également effectuer ce réglage en appuyant sur le bouton rotatif (AUDIO). Reportez-vous à la section « Réglage du niveau du subwoofer, du niveau des graves, du niveau des aigus, de la balance droite et gauche, de l'équilibre avant/arrière et de la fonction Defeat » (page 12).

## Réglage du filtre passe-haut

Le filtre passe-haut de cet appareil peut être réglé selon vos préférences.

**1 Appuyez sur SOUND SETUP pour activer le mode de réglage du son.**

**2 Tournez le bouton rotatif pour sélectionner le mode de réglage du filtre passe-haut (HPF), puis appuyez sur Q/ENT.**

SUBW LEVEL \*<sup>9</sup> ↔ BASS\*<sup>10</sup> ↔ TREBLE\*<sup>10</sup> ↔ HPF\*<sup>10</sup>  
↔ SUBW LEVEL

**3 Tournez le bouton rotatif pour sélectionner la fréquence du filtre passe-haut.**

OFF ↔ 80 Hz ↔ 120 Hz ↔ 160 Hz

**4 Maintenez la touche ↵ /ESC enfoncée pendant 2 secondes au moins pour revenir au mode normal.**

• Si vous n'exécutez aucune opération dans les 15 secondes, l'appareil revient automatiquement au mode normal.

• Lorsqu'un processeur audio externe est raccordé, il n'est pas possible d'effectuer ce réglage.

• Lorsque le subwoofer est réglé sur OFF et le mode DEFEAT sur ON, il est impossible d'appuyer momentanément sur la touche SOUND SETUP.

\*<sup>9</sup> Lorsque le mode subwoofer est réglé sur OFF, son niveau ne peut pas être ajusté. Reportez-vous à la section « ON/OFF du subwoofer » (page 14).

\*<sup>10</sup> Cette fonction est inopérante lorsque DEFEAT est réglé sur ON.

## Activation/annulation de la correction physiologique

La correction physiologique accentue spécialement les signaux les plus bas et les plus élevés à faible niveau d'écoute. Elle corrige ainsi la perte de sensibilité de l'oreille aux sons graves et aigus.

**Appuyez sur le bouton rotatif (LOUD) pendant au moins 2 secondes pour activer ou annuler la correction physiologique.**

• Lorsqu'un processeur audio externe est raccordé, il n'est pas possible d'effectuer ce réglage.

• Cette fonction est inopérante lorsque DEFEAT est réglé sur ON.

## ON/OFF du subwoofer

Lorsque le subwoofer est activé, vous pouvez en régler le niveau de sortie (reportez-vous à la page 13).

**1 Maintenez la touche SOUND SETUP enfoncée pendant 2 secondes au moins pour activer le mode de sélection du subwoofer.**

**2 Tournez le bouton rotatif pour sélectionner le mode SUBWOOFER, puis appuyez sur Q/ENT.**

SUBWOOFER ↔ SUBW SYSTEM ↔ SUBWOOFER

**3 Tournez le bouton rotatif pour sélectionner SUBW ON/OFF, puis appuyez sur Q/ENT.**

SUBW ON (réglage initial) ↔ SUBW OFF

**4 Maintenez la touche ↵ /ESC enfoncée pendant 2 secondes au moins pour revenir au mode normal.**

• Si vous n'exécutez aucune opération dans les 15 secondes, l'appareil revient automatiquement au mode normal.

## Réglage du système du subwoofer

Lorsque le subwoofer est activé, vous pouvez sélectionner System1 ou System2 de manière à obtenir l'effet de subwoofer désiré.

**1 Maintenez la touche SOUND SETUP enfoncée pendant 2 secondes au moins pour activer le mode de sélection du subwoofer.**

**2 Tournez le bouton rotatif pour sélectionner le mode du système de subwoofer (SUBW SYSTEM), puis appuyez sur Q/ENT.**

SUBWOOFER ↔ SUBW SYSTEM ↔ SUBWOOFER

**3 Tournez le bouton rotatif pour sélectionner SUBW SYS 1 ou SUBW SYS 2, puis appuyez sur Q/ENT.** Sélectionnez SYS 1 ou SYS 2 pour l'effet de subwoofer souhaité.

SUBW SYS 1 (réglage initial) ↔ SUBW SYS 2

SUBW SYS 1 : Le niveau du subwoofer varie en fonction du réglage du volume principal.

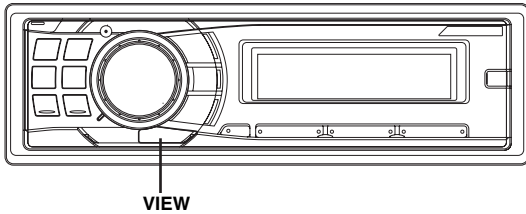
SUBW SYS 2 : Le niveau du subwoofer est différent du réglage du volume principal. Par exemple, le subwoofer demeure audible même lorsque le volume est réglé à un niveau bas.

**4 Appuyez sur ↵ /ESC pendant au moins 2 secondes pour revenir au mode normal.**

• Si vous n'exécutez aucune opération dans les 15 secondes, l'appareil revient automatiquement au mode normal.

• Cette fonction est inopérante lorsque SUBWOOFER est réglé sur OFF.

# Autres fonctions



## Affichage du texte

Les informations textuelles, notamment le nom du disque et de la piste, s'affichent lors de la lecture d'un disque compatible CD-texte. Il est également possible d'afficher le nom de dossier, le nom de fichier, le tag, etc., pendant la lecture des fichiers MP3/WMA/AAC.

### Appuyez sur VIEW.

L'affichage change chaque fois que vous appuyez sur cette touche.

- Lorsque **TEXT SCROLL** est en mode manuel (**SCROLL MANU**), maintenez la touche **VIEW** enfoncée pendant au moins 2 secondes pour faire défiler le texte actuel une seule fois (sauf en mode Radio).

### L'affichage en mode Radio :

FREQUENCE → HORLOGE → NOM DE LA STATION RADIO\*4/5  
 → NOM DE L'ARTISTE\*4 → NOM DE L'ALBUM\*4 →  
 NOM DU MORCEAU\*4 → FREQUENCE

### L'affichage en mode CD :

N° PISTE/TEMPS ECOULE → N° PISTE/HORLOGE →  
 TEXTE (NOM DU DISQUE)\*1 → TEXTE (NOM DE LA PISTE)\*1  
 → N° PISTE/TEMPS ECOULE

### L'affichage en mode MP3/WMA/AAC :

N° FICHIER/TEMPS ECOULE → N° DOSSIER/N° FICHIER →  
 N° FICHIER/HORLOGE → NOM DU DOSSIER\*3 →  
 NOM DU FICHIER → NOM DE L'ARTISTE\*2 →  
 NOM DE L'ALBUM\*2 → NOM DU MORCEAU\*2 →  
 N° FICHIER/TEMPS ECOULE

### L'affichage en mode Bluetooth Audio :

L'affichage suivant apparaît lorsque vous raccordez un téléphone ou un appareil de diffusion Bluetooth muni de fonctions de métadonnées à un module d'interface Bluetooth (Alpine KCE-300BT) (vendu séparément). Pour plus d'informations, reportez-vous au mode d'emploi du KCE-300BT.

N° PRESELECTION → N° PRESELECTION/HORLOGE →  
 NOM DE L'ARTISTE\*6 → NOM DE L'ALBUM\*6 →  
 NOM DU MORCEAU\*6 → N° PRESELECTION

\*1 Affiché pendant la lecture d'un disque avec CD-texte. Si aucune information de texte n'est disponible (nom du disque de la piste), « DISC TEXT »/« TRACK TEXT » s'affiche. « DISC TEXT »/« TRACK TEXT » s'affiche lorsque vous utilisez un changeur CD.

\*2 Tag ID3/tag WMA. Si un fichier MP3/WMA/AAC contient un tag ID3/WMA, les informations de celui-ci sont affichées (par exemple, le nom du morceau, de l'artiste et de l'album). Toutes les autres données de tag sont ignorées.

Si le défilement (page 17) est réglé sur « SCROLL AUTO », les informations de tag défilent automatiquement.

Si aucune information de texte n'est disponible, « ARTIST »/« ALBUM »/« SONG » s'affiche.

\*3 Le dossier racine s'affiche comme suit : « FOLDER ».

\*4 Lorsqu'un signal HD Radio est reçu, les informations textuelles, telles que la station de radio, l'artiste, etc., s'affichent.

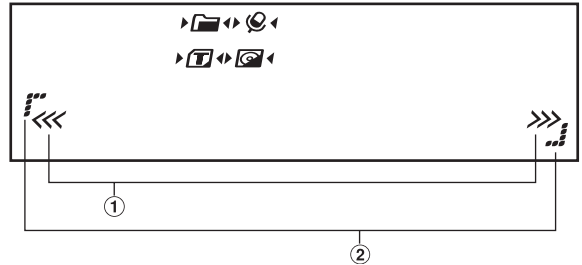
Si aucune information de texte n'est disponible, « ARTIST »/« ALBUM »/« SONG »/« STATION » s'affiche.

\*5 Le **NOM DE LA STATION DE RADIO** peut être permuté entre « LONG » et « SHORT » sous « Réglage de l'identification des stations HD Radio (STATION CALL) » (page 18).

\*6 Lorsqu'un signal BT AUDIO est reçu, les informations de texte, telles que l'artiste, l'album ou le morceau s'affichent. Si aucune information de texte n'est disponible, « ARTIST »/« ALBUM »/« SONG » s'affiche.

## À propos des indicateurs

Lors de l'affichage de texte, les indicateurs suivants s'allument en fonction du mode sélectionné.



- Clignote en mode de recherche lorsque vous tournez le bouton rotatif. Clignote également lorsque vous effectuez une opération, notamment lors d'une recherche rapide vers l'arrière.
- S'allume en mode SETUP.

Indicateur/ Mode	Mode CD	Mode MP3/ WMA/AAC	Mode SAT RADIO/HD RADIO	Mode iPod/ BT AUDIO
	—	Affichage du nom du dossier	—	—
	—	Affichage du nom de l'artiste	Affichage du nom de l'artiste	Affichage du nom de l'artiste
	Affichage du texte (nom du disque)	Affichage du nom de l'album	Affichage du nom de l'album (HD Radio uniquement)	Affichage du nom de l'album
	Affichage du texte (nom de la piste)	Affichage du nom du morceau/ nom du fichier	Affichage du titre du morceau/ nom de la station	Affichage du nom du morceau
<b>CAT</b>	—	—	Affichage de la recherche de catégorie (XM/SIRIUS uniquement)	—
	—	—	Affichage de l'alerte (SIRIUS Radio uniquement) Affichage du service de programme secondaire (HD Radio uniquement)	—

## À propos du « Texte »

### Texte :

Les CD compatibles texte contiennent des informations sous forme de texte telles que le nom de disque et le nom de piste. De telles informations sont appelées « texte ».

- Certains caractères peuvent ne pas être affichés correctement avec cet appareil, suivant le type de caractère.
- Le changeur CD doit également être compatible CD-texte pour que les informations textuelles soient affichées.
- Les informations textuelles ou de tags peuvent ne pas s'afficher correctement en fonction du contenu.

## Affichage de l'heure

### Appuyez plusieurs fois sur **VIEW** jusqu'à ce que l'heure s'affiche.

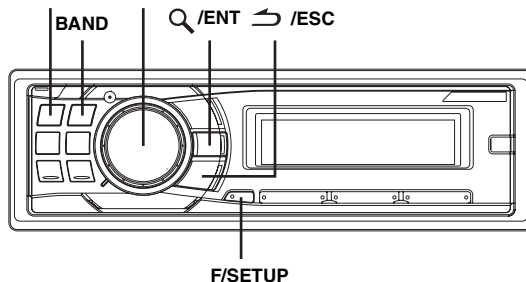
Chaque fois que vous appuyez, l'affichage change. Pour plus de détails, reportez-vous à la section « Affichage du texte » (page 15).

- Si vous sélectionnez la fonction tuner ou la fonction CD en mode d'horloge prioritaire, l'affichage de l'heure cesse momentanément. La fonction sélectionnée s'affiche pendant environ 5 secondes avant que l'heure s'affiche à nouveau.
- Si l'appareil est hors tension et que la clé de contact est en position ON, appuyez sur **VIEW** pour afficher ou désactiver l'heure.

# SETUP

Vous pouvez facilement personnaliser l'appareil en fonction de vos préférences et de son utilisation. Le menu **SETUP** vous permet de personnaliser les éléments visuels, de modifier les réglages de l'appareil externe, etc.

### SOURCE/⏻ Bouton rotatif



Suivez les étapes 1 à 4 pour sélectionner l'un des modes **SETUP** à modifier. Reportez-vous à la section correspondante ci-dessous pour plus d'informations sur l'option du menu **SETUP** que vous avez sélectionnée.

**1** Maintenez la touche **F/SETUP** enfoncée pendant 2 secondes au moins pour activer le mode **SETUP**.

**2** Tournez le bouton rotatif pour sélectionner l'option de votre choix, puis appuyez sur **Q / ENT**.

(par exemple, sélectionnez **POWER IC**)

BLUETOOTH IN\*<sup>1</sup> ↔ ILLUMINATION ↔ LCD CONTRAST ↔ DIMMER ↔ PLAY MODE ↔ SCROLL TYPE ↔ TEXT SCROLL ↔ INT MUTE\*<sup>2</sup> ↔ CLOCK ADJUST\*<sup>3</sup> ↔ AUX+ SETUP ↔ AUX+ NAME\*<sup>4</sup> ↔ AUX IN GAIN\*<sup>4</sup> ↔ DIGITAL AUX ↔ D-AUX NAME\*<sup>5</sup> ↔ AUX IN ↔ AUX NAME\*<sup>6</sup> ↔ CHANGER NAME ↔ POWER IC ↔ LANGUAGE ↔ XM ADF\*<sup>7</sup> ↔ GAME ALERT\*<sup>8</sup> ↔ STATION CALL\*<sup>9</sup> ↔ DIGITAL SEEK\*<sup>9</sup> ↔ DEMO ↔ BLUETOOTH IN

\*<sup>1</sup> Affiché uniquement lorsque **INT MUTE** est désactivé (**OFF**) et que le mode est réglé sur un mode autre que **BT AUDIO**.

\*<sup>2</sup> Affiché uniquement lorsque **BLUETOOTH IN** est réglé sur **OFF**.

\*<sup>3</sup> Reportez-vous à la section « Réglage de l'heure » (page 7).

\*<sup>4</sup> Affiché uniquement lorsque **AUX+ SETUP** est réglé sur **ON**.

\*<sup>5</sup> Affiché uniquement lorsque **DIGITAL AUX** est réglé sur **ON**.

\*<sup>6</sup> Affiché uniquement lorsque **AUX IN** est réglé sur **ON**.

\*<sup>7</sup> Lorsqu'un récepteur **XM** est connecté, reportez-vous à la section « Réglage de l'affichage du champ de données auxiliaires (**XM** uniquement) » (page 22).

\*<sup>8</sup> Lorsqu'un récepteur **SIRIUS** est connecté, reportez-vous à la section « Configuration des alertes des rencontres » (page 20).

\*<sup>9</sup> Lorsqu'un récepteur **HD Radio** est raccordé.

**3** Tournez le bouton rotatif pour modifier le réglage, puis appuyez sur **Q / ENT**.

(par exemple, sélectionnez **POWER IC ON** ou **POWER IC OFF**)

**4** Maintenez la touche **F/SETUP** enfoncée pendant 2 secondes au moins pour revenir au mode normal.

- Appuyez sur **↶ / ESC** pour revenir au mode **SETUP** précédent.
- Si aucune opération n'est exécutée pendant 60 secondes, le mode **SETUP** est annulé.

## BLUETOOTH IN

### Réglage de la connexion Bluetooth

#### **BT IN ADAPTE / BT IN OFF (réglage initial)**

Si vous raccordez un boîtier Bluetooth (KCE-300BT), vous pouvez effectuer un appel mains libres à partir d'un téléphone portable doté de la technologie Bluetooth.

Effectuez ce réglage lorsque le boîtier Bluetooth (KCE-300BT) est raccordé et que vous utilisez la fonction Bluetooth. Pour obtenir de plus amples informations, reportez-vous au mode d'emploi du boîtier Bluetooth (KCE-300BT). Sélectionnez ADAPTE lorsque le boîtier Bluetooth (KCE-300BT) est connecté.

- La touche PHONE/VOICE DIAL ne peut être utilisée que lorsqu'un boîtier Bluetooth en option (KCE-300BT) est raccordé.

## Personnalisation des éléments visuels

### Modification de la couleur d'éclairage

#### **ILLUMI TYPE1 (réglage initial) / ILLUMI TYPE2**

Vous pouvez modifier la couleur d'éclairage des six touches suivantes. SOURCE/☉, BAND, ◀, ▶, ◀◀, ▶▶.

TYPE1 : Lorsque les six touches sont de couleur bleue, les autres touches sont de couleur rouge.

TYPE2 : Lorsque les six touches sont de couleur rouge, les autres touches sont également de couleur rouge.

### Réglage du contraste de l'affichage

#### **CONTRAST**

Vous pouvez régler le contraste de l'affichage afin d'obtenir une meilleure visibilité.

La plage de réglage est comprise entre -5 et +3.

- Le réglage par défaut est « 0 ».

### Commande du gradateur

#### **DIMMER AUTO (réglage initial) / DIMMER MANU**

Réglez la commande DIMMER sur AUTO pour diminuer la luminosité de l'affichage de l'appareil lorsque les phares du véhicule sont allumés. Ce mode est utile si vous estimez que le rétroéclairage de l'appareil est trop lumineux dans l'obscurité.

### Réglage du type de défilement

#### **SCROLL TYPE1 / SCROLL TYPE2 (réglage initial)**

Choisissez une des deux méthodes de défilement. Sélectionnez le type de votre choix.

SCROLL TYPE1 : Les caractères défilent de droite à gauche, un caractère à la fois.

SCROLL TYPE2 : Les caractères s'accumulent de gauche à droite, un caractère à la fois. Lorsque l'affichage est rempli, il s'efface et les autres mots s'affichent de la même manière, jusqu'à ce que tous les mots du titre aient été affichés.

### Réglage du défilement (TEXT SCROLL)

#### **SCROLL AUTO / SCROLL MANU (réglage initial)**

Ce lecteur CD peut faire défiler les noms des disques et des pistes enregistrés sur les disques munis de la fonction de CD-texte, ainsi que les informations de texte des fichiers MP3/WMA/AAC, les noms de dossier et les tags.

SCROLL AUTO : Les informations de CD-texte, les noms de dossier et le texte radio par satellite et HD défilent en continu. De plus, toutes les informations des tags défilent automatiquement en permanence sur l'écran, sans que vous deviez appuyer sur la touche VIEW.

SCROLL MANU : Les informations ci-dessus défilent uniquement au moment où vous chargez un disque, lorsque vous changez de station, de piste, etc.

- Les noms de CD-texte, de dossier et de fichier, ainsi que les informations de tag défilent sur l'appareil.

## Réglage de la police de caractères de la langue

### **LANGUAGE 1 (réglage initial) / LANGUAGE 2**

Vous pouvez sélectionner deux types de polices de caractères.

LANGUAGE 1 : Police de caractères normale

LANGUAGE 2 : Police européenne

## Démonstration

### **DEMO ON / DEMO OFF (réglage initial)**

Cet appareil possède une fonction de démonstration de l'affichage.

- Pour quitter le mode de démonstration, choisissez DEMO OFF.

## MP3/WMA/AAC

### Lecture de données MP3/WMA/AAC (PLAY MODE)

#### **CD-DA (réglage initial) / CD-DA&MP3**

Cet appareil peut lire des CD contenant des données de CD et de MP3/WMA/AAC (créées au format Enhanced CD (CD Extra)). Toutefois, dans certains cas, la lecture des CD améliorés peut s'avérer difficile. Vous pouvez alors sélectionner la lecture d'une seule session contenant des données de CD. Lorsqu'un disque contient à la fois des données de CD et de MP3/WMA/AAC, la lecture commence à partir de l'endroit où débute les données de CD du disque.

CD-DA : Seul le CD de données de la session 1 peut être lu.

CD-DA&MP3 : Vous pouvez lire des données de CD, des fichiers MP3/WMA/AAC en mode mixte et des disques multisessions.

- Effectuez ce réglage avant d'insérer un disque. Si un disque est déjà inséré, retirez-le au préalable. (Si vous utilisez un changeur MP3, vous devez changer de disque.)

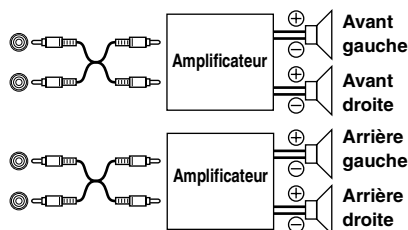
## Appareil externe

### Raccordement à un amplificateur externe

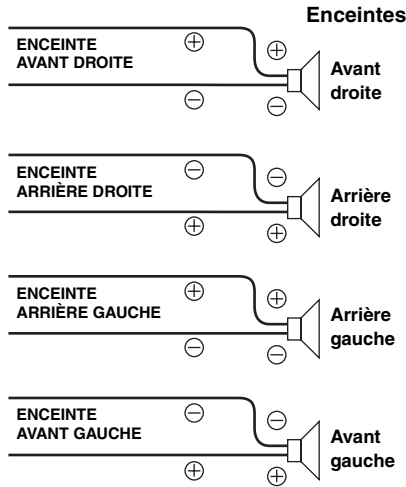
#### **POWER IC ON (réglage initial) / POWER IC OFF**

Lorsqu'un amplificateur externe est raccordé, la qualité sonore peut être améliorée en coupant l'alimentation de l'amplificateur intégré.

POWER IC OFF : Utilisez ce mode lorsque la sortie ligne de cet appareil est utilisée pour piloter un amplificateur externe. Lorsque ce mode est activé, l'amplificateur interne de l'appareil principal est désactivé et ne peut plus piloter les enceintes.



POWER IC ON : Les enceintes sont pilotées par un amplificateur intégré.



- Le système n'émet aucun son lorsque l'alimentation est réglée sur OFF.

### **Activation et désactivation du mode silencieux (INT MUTE)** **MUTE ON / MUTE OFF (réglage initial)**

Lorsqu'un appareil muni de la fonction d'interruption est raccordé, le son est automatiquement coupé dès que l'appareil émet un signal d'interruption.

### **Réglage du mode de configuration AUX+ SETUP** **AUX+ ON / AUX+ OFF (réglage initial)**

Vous pouvez raccorder un appareil externe (un lecteur portable, par exemple) au connecteur direct iPod de cette unité. Vous devez pour cela vous procurer un câble d'interface iPod/RCA (en option). Néanmoins, vous ne pouvez pas raccorder simultanément un lecteur portable et un iPod au connecteur direct iPod.

**AUX+ ON :** Réglez sur ON lorsqu'un appareil portable est raccordé. Si vous appuyez sur **SOURCE/⏏** et si **AUX+ SETUP** est sélectionné, le son de l'appareil portable est reproduit sur cet appareil.

**AUX+ OFF :** Réglez sur OFF lorsqu'un iPod est raccordé.

Vous pouvez changer l'affichage du **AUX+ NAME** lorsque **AUX+ SETUP** est réglé sur ON. Appuyez sur **Q/ENT** lorsque **AUX+ SETUP** est réglé sur ON, sélectionnez **AUX+ NAME** en tournant le **bouton rotatif**, puis appuyez sur **Q/ENT**. Tournez alors le **bouton rotatif** pour sélectionner **AUX+ NAME** de votre choix.

### **Réglage AUX+ Level (AUX IN GAIN)** **LOW (réglage initial) / HIGH**

Après avoir sélectionné ON dans « Réglage du mode de configuration **AUX+ SETUP** », ce réglage peut être effectué.

**LOW :** Réduit le niveau sonore de l'entrée externe.  
**HIGH :** Augmente le niveau sonore de l'entrée externe.

### **Réglage de l'entrée numérique externe** **D-AUX ON / D-AUX OFF (réglage initial)**

Si un processeur audio numérique ALPINE compatible Ai-NET (PXA-H701) et un lecteur DVD (DVE-5207) non compatible Ai-NET sont raccordés, réglez D-AUX sur ON pour bénéficier de son surround à 5,1 canaux.

Vous pouvez changer l'affichage D-AUX NAME lorsque D-AUX est réglé sur ON. Appuyez sur **Q/ENT** lorsque D-AUX NAME est réglé sur ON, sélectionnez le nom D-AUX en tournant le **bouton rotatif**, puis appuyez sur **Q/ENT**. Tournez alors le **bouton rotatif** pour sélectionner D-AUX NAME de votre choix.

- Appuyez sur **SOURCE/⏏** et sélectionnez le mode **DIGITAL-AUX**, puis réglez le volume, etc.
- Une fois la sélection de l'entrée terminée, tournez la clé de contact sur **OFF**, puis de nouveau sur **ON**. Le réglage de l'entrée numérique externe est terminé.
- Selon le processeur audio raccordé, le son du lecteur DVD peut continuer à être reproduit, même si vous avez changé de source. Le cas échéant, mettez le lecteur DVD hors tension.

### **Réglage du mode AUX (V-Link)** **AUX IN ON / AUX IN OFF (Réglage initial)**

Vous pouvez entrer le son TV/vidéo en raccordant un câble d'interface Ai-NET/RCA en option (KCA-121B) ou Versatile Link Terminal (KCA-410C) à cet appareil.

Vous pouvez changer l'affichage du nom AUX lorsque AUX IN est réglé sur ON. Appuyez sur **Q/ENT** lorsque AUX IN est réglé sur ON, sélectionnez le nom AUX en tournant le **bouton rotatif**, puis appuyez sur **Q/ENT**.

Tournez alors le **bouton rotatif** pour sélectionner le nom AUX de votre choix.

Si le KCA-410C est raccordé, il est possible de sélectionner deux noms AUX.

- Jusqu'à 2 appareils externes avec sortie RCA peuvent être raccordés via le KCA-410C. Dans ce cas, appuyez sur **SOURCE/⏏** pour sélectionner le mode **AUX**, puis appuyez sur **BAND** pour sélectionner l'appareil de votre choix.

### **Réglage du nom du changeur** **CHANGER (réglage initial) / USB / PORTABLE**

Ce réglage est utilisé lorsque l'appareil principal est raccordé à l'adaptateur USB pour MP3 (KCA-620M). Vous pouvez définir le nom qui apparaît sur l'appareil, en fonction de celui qui est raccordé à l'adaptateur USB pour MP3 (KCA-620M).

## **HD Radio (uniquement lorsqu'un récepteur HD Radio est raccordé)**

### **Réglage de l'identification des stations HD Radio (STATION CALL)** **SHORT (réglage initial) / LONG**

En mode HD Radio, il est possible de sélectionner le nombre de caractères affichés pour le nom de la station HD Radio.

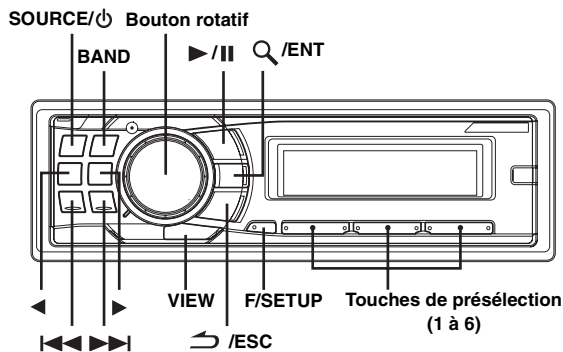
**SHORT :** 7 caractères (FM)  
4 caractères (AM)  
**LONG :** 56 caractères

### **Réglage Digital Seek ON/OFF** **DIG SEEK ON / DIG SEEK OFF (réglage initial)**

**ON :** SEEK UP/DOWN est uniquement utilisé pour les stations de radio numériques.  
**OFF :** SEEK UP/DOWN est utilisé pour toutes les stations de radio.



# Récepteur radio par satellite (en option)



**Récepteur satellite :** Récepteur XM ou SIRIUS  
Lorsqu'un boîtier de réception XM ou SIRIUS en option est raccordé par l'intermédiaire du bus Ai-NET, il est possible d'exécuter les opérations ci-dessous. Toutefois, le récepteur XM et le récepteur SIRIUS ne peuvent pas être raccordés simultanément.

**Récepteur SIRIUS :** Vérifiez les fonctions du boîtier de réception SIRIUS. Tous les récepteurs SIRIUS ne possèdent pas les mêmes fonctions et certaines ne peuvent pas être utilisées sur cet appareil. Pour plus d'informations sur les fonctions, reportez-vous au mode d'emploi du récepteur Sirius.

## Réception de stations via le récepteur radio par satellite (en option)

### À propos de la radio par satellite

La radio par satellite\* constitue la nouvelle génération de divertissement audio puisqu'elle propose plus de 100 stations audio numériques. Pour un abonnement mensuel réduit, les abonnés peuvent écouter des programmes consacrés à la musique, aux sports, aux informations et aux débats avec une qualité cristalline via satellite. Pour plus d'informations, visitez le site Web XM à l'adresse [www.xmradio.com](http://www.xmradio.com) ou le site Web SIRIUS à l'adresse [www.sirius.com](http://www.sirius.com).

Pour recevoir la radio par satellite, vous devez disposer d'un tuner radio satellite XM Direct™ ou SIRIUS vendu séparément ainsi que d'un adaptateur d'interface Ai-NET approprié. Pour plus d'informations, consultez votre revendeur Alpine.

\* XM et les logos correspondants sont des marques de XM Satellite Radio Inc.

\* SIRIUS et les logos correspondants sont des marques de SIRIUS Satellite Radio Inc.

• Les commandes du récepteur satellite de cet appareil ne fonctionnent qu'en cas de raccordement d'un récepteur satellite.

- 1 Appuyez sur **SOURCE/⏻** pour activer le mode de radio par satellite.
- 2 Appuyez sur **BAND** pour sélectionner une des trois gammes de présélection de radio par satellite.  
Chaque fois que vous appuyez, vous changez de gamme :  
Mode XM :  
X1 → X2 → X3 → X1  
Mode SIRIUS :  
S1 → S2 → S3 → S1
- 3 Appuyez sur **<** ou **>** pour sélectionner la catégorie de votre choix.

- 4 Appuyez sur **◀◀** ou **▶▶** pour sélectionner la station souhaitée.  
Si vous maintenez **◀◀** ou **▶▶** enfoncée, les stations changent en continu.
- Lorsque vous utilisez la télécommande en option (RUE-4190, etc.), vous pouvez accéder directement à une station de radio par satellite à partir du clavier numérique.
    - 1 En mode radio XM ou SIRIUS, entrez le numéro de la station souhaitée à l'aide du clavier de la télécommande.
    - 2 Appuyez sur la touche **Enter** de la télécommande dans les 5 secondes pour recevoir la station choisie.  
Si le numéro de la station compte 3 chiffres, la station est automatiquement reçue dès que son numéro a été saisi.

## Vérification du numéro d'identification de la radio par satellite

Un numéro d'identification de radio unique est nécessaire pour s'abonner aux programmes de radio par satellite. Chaque radio XM ou SIRIUS tierce possède ce numéro.

Ce numéro est un nombre alphanumérique constitué de 8 caractères (XM Radio) ou de 12 caractères (SIRIUS Radio). Il figure sur une étiquette apposée sur le récepteur satellite. Il peut également être affiché sur l'écran du récepteur en procédant de la manière suivante.

### XM :

- 1 Pendant la réception d'une gamme de radio par satellite, appuyez sur **◀◀** ou **▶▶** pour sélectionner la station « 0 » dans le cas de XM.  
L'appareil affiche « CH 0 » pendant 5 secondes, puis affiche successivement « RADIO ID » pendant 2 secondes et le numéro d'identification pendant 10 secondes. Lorsque « RADIO ID » s'affiche comme décrit ci-dessus, la démonstration (page 17) cesse.

- 2 Pour annuler l'affichage du numéro d'identification, sélectionnez une chaîne différente de « 0 ».

### SIRIUS :

- 1 Pendant la réception d'une gamme de radio par satellite, appuyez sur **◀◀** ou **▶▶** pour sélectionner la station « 255 » dans le cas de SIRIUS.
- 2 Appuyez sur **VIEW** jusqu'à ce que le numéro d'identification apparaisse sur l'écran.  
N° CHAÎNE → NOM DE LA CATEGORIE →  
NOM DE LA CHAÎNE → IN° ID → N° ID →  
NOM DU COMPOSITEUR → HORLOGE → N° CHAÎNE
- 3 Pour annuler l'affichage du numéro d'identification, réglez une chaîne différente de « 255 ».

- Vous ne pouvez pas utiliser « O », « S », « I » ou « F » comme numéro d'identification (récepteur XM Radio uniquement).
- Vous pouvez vérifier le numéro d'identification figurant sur une étiquette apposée sur l'emballage de votre récepteur radio par satellite tiers.

## Mémorisation des présélections des stations

- 1 Appuyez sur **BAND** pour sélectionner la gamme que vous souhaitez mémoriser.
- 2 Après avoir sélectionné la station de votre choix, maintenez enfoncée pendant 2 secondes au moins une des touches de présélection (1 à 6) dans laquelle vous souhaitez mémoriser la station.  
La station sélectionnée est mémorisée.

### 3 Répétez la procédure pour mémoriser jusqu'à 5 autres stations dans la même gamme.

- Pour utiliser cette procédure pour d'autres gammes, sélectionnez simplement celle de votre choix et recommencez les étapes de la procédure.
- Vous pouvez mémoriser jusqu'à 18 stations dans la mémoire des présélections pour XM ou SIRIUS. 6 stations sont mémorisées dans chaque gamme (X1, X2 et X3 pour XM ; S1, S2 et S3 pour SIRIUS).
- Si vous mémorisez une station sur une présélection qui a déjà été utilisée pour une autre station, celle-ci est effacée et remplacée par la nouvelle.

## Réception des stations mémorisées

- 1 Appuyez sur **BAND** pour sélectionner la gamme de votre choix.
- 2 Appuyez sur la **touche de présélection (1 à 6)** de la station satellite de votre choix préalablement mémorisée.

## Mémorisation de l'équipe sportive de votre choix (SIRIUS uniquement)

Mémorisez votre équipe préférée parmi les ligues couvertes par SIRIUS. Une fois l'équipe mémorisée, ses résultats et les heures de ses rencontres sont annoncés par l'affichage de l'ALERTE qui interrompt la réception des autres programmes. Pour recevoir ces annonces, reportez-vous à la page 20.

Pour que cette fonction entre en vigueur, vous devez exécuter les deux opérations suivantes.

### Mémorisation pendant la diffusion d'une rencontre

- 1 Sélectionnez la station qui diffuse la rencontre de votre équipe préférée.
  - 2 Appuyez sur **F/SETUP** pour activer le mode de sélection MEMORY/DELETE.
  - 3 Tournez le **bouton rotatif** pour sélectionner le mode MEMORY, puis appuyez sur **Q/ENT**.
- MEMORY ↔ DELETE ↔ MEMORY
- 4 Tournez le **bouton rotatif** pour sélectionner une équipe de la rencontre diffusée, puis appuyez sur **Q/ENT**.
  - 5 Tournez le **bouton rotatif** pour sélectionner le type d'interruption, puis appuyez sur **Q/ENT**.

TYPE INITIAL ↔ TYPE UPDATE (réglage initial)

- INITIAL : L'écran ALERTE apparaît lorsque la rencontre commence.
- UPDATE : L'écran ALERTE apparaît en cours de partie (changement de score, résultat de fin de partie, etc.).

- 6 Maintenez la touche **↵ /ESC** enfoncée pendant 2 secondes au moins pour revenir au mode normal.

- Toute tentative de mémorisation alors que la zone mémoire est pleine entraîne l'affichage du message « MEMORY FULL ». Si vous souhaitez remplacer une équipe qui a déjà été enregistrée à l'étape 4, tournez le **bouton rotatif** pour sélectionner « REPLACE YES », puis appuyez sur **Q/ENT**.
- Si aucune opération n'est exécutée pendant 10 secondes, le mode de réglage est annulé.

## Configuration des alertes des rencontres

- 1 Maintenez la touche **F/SETUP** enfoncée pendant 2 secondes au moins pour activer le mode SETUP.
- 2 Tournez le **bouton rotatif** pour sélectionner le mode GAME ALERT, puis appuyez sur **Q/ENT**.
- 3 Tournez le **bouton rotatif** pour sélectionner la ligue de votre choix, puis appuyez sur **Q/ENT**.
- 4 Tournez le **bouton rotatif** pour sélectionner une équipe à mémoriser, puis appuyez sur **Q/ENT**.
- 5 Tournez le **bouton rotatif** pour sélectionner un type d'interruption, puis appuyez sur **Q/ENT**.

TYPE INITIAL ↔ TYPE UPDATE (réglage initial)

TYPE INITIAL : L'écran ALERTE apparaît lorsque la rencontre commence.

TYPE UPDATE : L'écran ALERTE apparaît en cours de partie (changement de score, résultat de fin de partie, etc.).

- 6 Maintenez la touche **F/SETUP** enfoncée pendant 2 secondes au moins pour annuler le mode SETUP.

- Appuyez sur **↵ /ESC** pour revenir au mode SETUP précédent.
- Si aucune opération n'est exécutée pendant 60 secondes, le mode SETUP est annulé.
- Dans ce mode, jusqu'à 4 équipes peuvent être mémorisées (une équipe par ligue).

## Mémorisation du morceau / artiste de votre choix (SIRIUS uniquement)

Le nom de l'artiste ou le disque du morceau mémorisé est annoncé chaque fois que ce morceau ou cet artiste est présent sur une autre station. L'ALERTE d'interruption ne s'affiche que pendant l'écoute d'un programme d'une autre station. Pour recevoir ces informations d'alerte, reportez-vous à la section « Rappel des informations mémorisées (SIRIUS uniquement) » (page 21).

- 1 Appuyez sur **F/SETUP** pour activer le mode de sélection MEMORY/DELETE en cas de diffusion d'un morceau ou du morceau de l'artiste que vous avez choisi.
  - 2 Tournez le **bouton rotatif** pour sélectionner le mode Mémoire, puis appuyez sur **Q/ENT**.
- MEMORY ↔ DELETE
- 3 Tournez le **bouton rotatif** pour sélectionner la mémoire de morceau (SONG MEMORY) ou la mémoire d'artiste (ARTIST MEMO), puis appuyez sur **Q/ENT**.
  - 4 Maintenez la touche **↵ /ESC** enfoncée pendant 2 secondes au moins pour revenir au mode normal.

- Toute tentative de mémorisation alors que la zone mémoire est pleine entraîne l'affichage du message « MEMORY FULL ». Si vous souhaitez remplacer un titre de morceau ou un nom d'artiste qui a déjà été enregistré à l'étape 3, tournez le **bouton rotatif** pour sélectionner « REPLACE YES », puis appuyez sur **Q/ENT**.
- Si aucune opération n'est exécutée pendant 10 secondes, le mode de réglage est annulé.

## Rappel des informations mémorisées (SIRIUS uniquement)

Quand une équipe sportive, un morceau ou un artiste mémorisés est diffusé, une ALERTE d'interruption apparaît sur l'affichage de l'appareil.

### 1 L'indicateur d'ALERTE ◀▶ d'interruption s'allume ou clignote dans les cas suivants.

- L'indicateur ◀▶ (ALERTE) s'allume : une alerte a été trouvée.  
L'indicateur ◀▶ (ALERTE) clignote : plus de 2 alertes ont été trouvées.

### En présence de plus de 2 alertes (indicateur d'ALERTE clignotant)

### 2 Tournez le bouton rotatif pour sélectionner l'information souhaitée.

### 3 Appuyez sur Q/ENT.

- Si vous n'exécutez aucune opération dans les 10 secondes, l'appareil revient automatiquement au mode normal.
- Une ALERTE d'interruption ne peut correspondre qu'à une seule équipe sportive, un seul morceau ou un seul artiste à la fois. Par exemple, il n'est pas possible qu'un morceau et un artiste apparaissent simultanément comme ALERTE.

## Annulation de la mémoire d'alerte enregistrée (SIRIUS uniquement)

### 1 En mode de réception normale, appuyez sur F/SETUP pour activer le mode de sélection MEMORY/DELETE.

### 2 Tournez le bouton rotatif pour sélectionner le mode Suppression, puis appuyez sur Q/ENT.

MEMORY ↔ DELETE ↔ MEMORY

La liste des mémoires apparaît une fois que DELETE MODE s'est affiché.

### 3 Tournez le bouton rotatif pour sélectionner une liste à supprimer, puis appuyez sur Q/ENT.

### 4 Tournez le bouton rotatif pour sélectionner DELETE YES, puis appuyez sur Q/ENT.

DELETE NO ↔ DELETE YES

Sélectionnez « NO » et l'appareil revient à l'affichage de la liste des mémoires.

### 5 Maintenez la touche ↵ /ESC enfoncée pendant 2 secondes au moins pour revenir au mode normal.

- Si aucune opération n'est exécutée pendant 10 secondes, le mode de réglage est annulé.

## Fonction de recherche

Vous pouvez rechercher des programmes par catégorie, station, artiste ou morceau.

### 1 Appuyez sur Q/ENT pour en mode XM ou SIRIUS.

### 2 Tournez le bouton rotatif pour sélectionner le mode de recherche, puis appuyez sur Q/ENT.

CATEGORY ↔ CHANNEL ↔ ARTIST\* ↔ SONG\* ↔ CATEGORY

\* SIRIUS uniquement.

## Mode de recherche de catégorie

### 3 Tournez le bouton rotatif pour sélectionner la catégorie de votre choix, puis appuyez sur Q/ENT.

### 4 Tournez le bouton rotatif pour sélectionner le nom de station de votre choix, puis appuyez sur Q/ENT.

- En mode de recherche de catégorie, appuyez sur ↵ /ESC pour revenir à la sélection du mode de recherche.
- Le mode de recherche en cours est annulé si vous maintenez la touche ↵ /ESC enfoncée pendant 2 secondes au moins ou si vous n'exécutez aucune opération pendant 10 secondes en mode de recherche de catégorie.
- Si l'interruption d'ALERTE survient en mode de recherche, ce dernier est annulé.

## Mode de recherche de station/artiste/morceau

### 3 Tournez le bouton rotatif pour sélectionner le nom de la station/de l'artiste/du morceau de votre choix, puis appuyez sur Q/ENT.

- En mode de recherche de station, appuyez sur ◀ ou ▶ pour sélectionner une autre catégorie.
- En mode de recherche de station/artiste/morceau, appuyez sur ↵ /ESC pour revenir à la sélection du mode de recherche.
- Le mode de recherche en cours est annulé si vous maintenez la touche ↵ /ESC enfoncée pendant 2 secondes au moins ou si vous n'exécutez aucune opération pendant 10 secondes en mode de recherche de station/artiste/morceau.
- Si l'interruption d'ALERTE survient en mode de recherche, ce dernier est annulé.

## Fonction de recherche rapide

Vous pouvez effectuer une recherche sur toutes les stations, dans l'ordre numérique.

### 1 Maintenez la touche Q/ENT enfoncée pendant 2 secondes au moins en mode XM ou SIRIUS pour activer le mode de recherche rapide.

### 2 Tournez le bouton rotatif pour sélectionner la station de votre choix dans les 10 secondes. La station sélectionnée est reçue.

## Réception d'informations météo et trafic à partir de la radio satellite

### 1 Sélectionnez la radio de station satellite qui diffuse les informations météo/trafic locales.

### 2 Maintenez la touche ▶/II enfoncée pendant au moins 2 secondes en mode satellite. La station météo ou trafic reçue est mémorisée.

### 3 Maintenez la touche BAND enfoncée pendant au moins 2 secondes. La station météo ou trafic mémorisée est rappelée.

### 4 Maintenez la touche BAND enfoncée pendant au moins 2 secondes. Vous revenez au mode normal.

- Les stations mémorisées peuvent également être rappelées en maintenant la touche BAND enfoncée pendant 2 secondes au moins.
- Il est également possible de mémoriser et de rappeler des stations autres que les stations météo ou trafic.

## Fonction de répétition instantanée (SIRIUS uniquement)

En mode SIRIUS, la station en cours est enregistrée à l'aide de la fonction de mémorisation pour relecture instantanée. Utilisez cette fonction pour suspendre l'écoute d'une station. Dès que l'écoute reprend, la diffusion redémarre là où vous l'avez interrompue. Cette fonction permet de mémoriser jusqu'à 44 minutes de son.

### 1 En mode de réception SIRIUS, appuyez sur ►/II pour sélectionner le mode de répétition instantanée.

« REPLAY MODE » s'affiche et la station reçue est mémorisée.

### 2 Appuyez de nouveau sur ►/II pour activer le mode de lecture.

Le contenu mémorisé est reproduit.

Pendant la lecture du contenu à répéter :

Rembobinage : Maintenez la touche ◀◀ enfoncée.

Recherche rapide vers l'avant : Maintenez la touche ▶▶ enfoncée.

Retour au début du morceau en cours : Appuyez sur ◀◀.

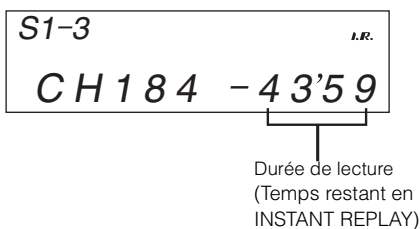
Avance jusqu'au début du morceau suivant : Appuyez sur ▶▶.

- Si vous continuez d'appuyer sur la touche d'avance rapide jusqu'à la fin, le mode INSTANT REPLAY est annulé et la réception normale est rétablie.

### 3 Maintenez la touche ↵ /ESC enfoncée pendant 2 secondes au moins pour annuler le mode INSTANT REPLAY.

L'appareil revient au mode de diffusion SIRIUS normal.

Exemple d'affichage du temps de lecture en mode de lecture REPLAY (uniquement en mode de répétition instantanée)



## Changement d'affichage

Les informations textuelles, notamment le nom de la station, le nom/ informations sur l'artiste et le titre du morceau/programme sont disponibles pour chacune des stations XM ou Sirius. L'appareil peut afficher ces informations textuelles de la manière décrite ci-dessous.

### En mode XM ou SIRIUS, appuyez sur VIEW.

Chaque fois que vous appuyez sur cette touche, l'affichage change dans l'ordre suivant.

N° CHAÎNE/(TEMPS RESTANT)\*1 → NOM DE LA CATEGORIE  
→ NOM DE LA CHAÎNE → NOM DE L'ARTISTE →  
TITRE DU MORCEAU → NOM DU COMPOSITEUR\*2 →  
CHAMP DE DONNEES AUXILIAIRES\*3 → HORLOGE →  
N° CHAÎNE/(TEMPS RESTANT)

\*1 Affiché uniquement pendant la répétition instantanée.

\*2 Mode SIRIUS uniquement.

\*3 Mode XM uniquement :

Lorsque ADF est réglé sur OFF, ces informations ne sont pas affichées (reportez-vous à la section « Réglage de l'affichage du champ de données auxiliaires (XM uniquement) » à la page 22).

- Lorsque le « Réglage du défilement (TEXT SCROLL) » (page 17) est réglé sur « SCROLL AUTO », l'affichage défile en permanence. Lorsque le Défilement est réglé sur « SCROLL MANU », l'affichage ne défile qu'une seule fois après l'exécution d'une fonction (PRESET, BAND, SEARCH, etc.). L'affichage du numéro de station (« CHANNEL No. ») et de l'horloge (« CLOCK ») ne défilent pas.
- Selon le modèle, l'affichage peut être différent de celui illustré ci-dessus.

## Réglage de l'affichage du champ de données auxiliaires (XM uniquement)

L'affichage du champ de données auxiliaires (ADF) XM peut être activé ou désactivé. Le récepteur SIRIUS ne possède pas de fonction ADF.

### 1 Maintenez la touche F/SETUP enfoncée pendant 2 secondes au moins pour sélectionner le mode de sélection SETUP.

### 2 Tournez le bouton rotatif pour sélectionner le mode XM ADF, puis appuyez sur Q/ENT.

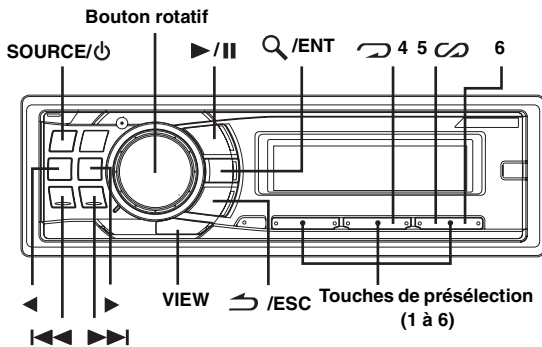
### 3 Tournez le bouton rotatif pour sélectionner XM ADF ON/OFF, puis appuyez sur Q/ENT.

Lorsque vous choisissez ON, le champ de données auxiliaires est affiché en appuyant sur VIEW (reportez-vous à la section « Changement d'affichage » à la page 22.).

### 4 Maintenez la touche F/SETUP enfoncée pendant 2 secondes au moins pour revenir au mode normal.

- Appuyez sur ↵ /ESC pour revenir au mode SETUP précédent.
- Si aucune opération n'est exécutée pendant 60 secondes, le mode SETUP est annulé.

# iPod® (en option)



Vous pouvez raccorder un iPod® à cet appareil à l'aide du câble de raccordement propriétaire ALPINE FULL SPEED™ (KCE-422i) (vendu séparément). Lorsque cet appareil est raccordé à l'aide du câble, les commandes de l'iPod ne fonctionnent pas.

- Réglez **AUX+ SETUP** sur **OFF** lorsqu'un iPod est raccordé (reportez-vous à la section « Réglage du mode de configuration **AUX+ SETUP** » à la page 18).
- Si vous raccordez simultanément le boîtier Bluetooth et un iPod, veuillez à déconnecter l'iPod du boîtier Bluetooth lorsque vous désactivez **ACC**.

## iPod compatibles avec cet appareil

- Cet appareil peut être utilisé avec des iPod, iPod photo, iPod mini ou iPod nano de la quatrième génération. L'iPod Shuffle ne peut cependant pas être utilisé.
- Vous ne pouvez pas raccorder à cet appareil des iPod de type molette de défilement ou molette tactile sans le connecteur d'ancrage.
- L'appareil peut être utilisé avec les modèles d'iPod ci-dessous.
  - iPod de quatrième génération
  - iPod de cinquième génération
  - iPod photo
  - iPod mini
  - iPod nano, première génération
  - iPod nano, deuxième génération
- Si vous utilisez une version d'iTunes antérieure à la version 7.1.0.59, il est possible que l'appareil ne fonctionne pas correctement.

## Lecture

### 1 Appuyez sur **SOURCE/⏻** pour passer au mode iPod.

TUNER → XM RADIO/SIRIUS\*<sup>1</sup> → DISC → iPod\*<sup>2</sup>/AUX+\*<sup>3</sup> → BT AUDIO\*<sup>4</sup> → CHANGER\*<sup>5</sup> → TUNER

- \*<sup>1</sup> Uniquement lorsqu'un récepteur XM Radio ou SIRIUS Radio est raccordé.
- \*<sup>2</sup> Affiché uniquement lorsque l'iPod est raccordé et que **AUX+ SETUP** est réglé sur **OFF** ; reportez-vous à la section « Réglage du mode de configuration **AUX+ SETUP** » (page 18).
- \*<sup>3</sup> Affiché uniquement lorsque **AUX+ SETUP** est réglé sur **ON** ; reportez-vous à la section « Réglage du mode de configuration **AUX+ SETUP** » (page 18).
- \*<sup>4</sup> Affiché uniquement lorsque **BLUETOOTH IN** est réglé sur **ADAPTE** ; reportez-vous à la section « Réglage de la connexion Bluetooth » (page 17).
- \*<sup>5</sup> Uniquement lorsqu'un changeur CD est raccordé.

### 2 Appuyez sur **◀◀** ou **▶▶** pour sélectionner le morceau souhaité.

**Revenez au début du présent morceau :**

Appuyez sur **◀◀**.

**Recherche rapide vers l'arrière au sein du morceau en cours :**

Maintenez la touche **◀◀** enfoncée.

**Avance jusqu'au début du morceau suivant :**

Appuyez sur **▶▶**.

**Recherche rapide vers l'avant au sein du morceau en cours :**

Maintenez la touche **▶▶** enfoncée.

### 3 Pour interrompre la lecture, appuyez sur **▶||**.

Appuyez à nouveau sur **▶||** pour reprendre la lecture.

- La lecture d'un morceau sur l'iPod raccordé à l'appareil reprend là où elle a été interrompue après son débranchement.
- Lorsque vous écoutez un épisode du podcast ou du livre parlé sélectionné, vous pouvez changer d'épisode en appuyant sur **◀** ou **▶**.
- Un épisode peut contenir plusieurs chapitres. Pour changer de chapitre, appuyez sur **◀◀** ou **▶▶**.

## Recherche d'un morceau souhaité

Un iPod peut contenir plusieurs centaines de morceaux. Grâce aux informations de tag et à une bonne organisation des morceaux en listes d'écoute, les fonctions de recherche de cet appareil retrouvent facilement les morceaux souhaités.

Chaque catégorie musicale possède sa propre hiérarchie. Utilisez le mode de recherche par liste d'écoute/artiste/album/morceau/podcast/genre/compositeur/livre parlé pour affiner les recherches en vous basant sur le tableau ci-dessous.

Hiérarchie 1	Hiérarchie 2	Hiérarchie 3	Hiérarchie 4
Liste d'écoute (PLAYLIST)	Morceau	—	—
Artiste (ARTIST)*	Album*	Morceau	—
Album (ALBUM)*	Morceau	—	—
Morceau (SONG)	—	—	—
Podcast	Épisode	—	—
Genre (GENRE)*	Artiste*	Album*	Morceau
Compositeur (COMPOSER)*	Album*	Morceau	—
Livre parlé (AUDIOBOOK)	—	—	—

Par exemple : recherche par nom d'artiste

L'exemple suivant illustre comment effectuer une recherche par **ARTISTE**. Un autre mode de recherche peut être choisi pour la même opération, bien que la hiérarchie soit différente.

### 1 Appuyez sur **Q/ENT** pour activer le mode de sélection de recherche.

### 2 Tournez le bouton rotatif pour sélectionner le mode de recherche par artiste, puis appuyez sur **Q/ENT**.

PLAYLIST ↔ ARTIST ↔ ALBUM ↔ SONG ↔  
 PODCAST ↔ GENRE ↔ COMPOSER ↔ AUDIOBOOK  
 ↔ PLAYLIST

**3** Tournez le **bouton rotatif** pour sélectionner l'artiste de votre choix, puis appuyez sur **Q /ENT**.

**4** Tournez le **bouton rotatif** pour sélectionner un album, puis appuyez sur **Q /ENT**.

**5** Tournez le **bouton rotatif** pour sélectionner un morceau, puis appuyez sur **Q /ENT**.

La lecture du morceau sélectionné commence.

- Après avoir appuyé sur **Q /ENT** pendant 2 secondes au moins au sein d'une hiérarchie (sauf les hiérarchies **SONG** et **AUDIOBOOK**), tous les morceaux de la hiérarchie sélectionnée sont lus.
- Après avoir sélectionné **[ALL]** en mode de recherche avec « \* », appuyez sur **Q /ENT** pendant au moins 2 secondes pour lire tous les morceaux de l'iPod ou du mode de recherche sélectionné.
- Le mode de recherche en cours est annulé si vous maintenez la touche **↵ /ESC** enfoncée pendant 2 secondes au moins ou si vous n'exécutez aucune opération pendant 10 secondes.
- En mode de recherche, appuyez sur **↵ /ESC** pour revenir au mode précédent.
- Lorsque la recherche est effectuée pendant la lecture **M.I.X.**, le mode de lecture **M.I.X.** est annulé.
- « **NO SONG** » s'affiche si l'iPod ne contient aucun morceau en mode de recherche **PLAYLIST**.
- « **NO PODCAST** » s'affiche si l'iPod ne contient aucun podcast en mode de recherche **PODCAST**.
- « **NO AUDIOBOOK** » s'affiche si l'iPod ne contient aucun livre parlé en mode de recherche **AUDIOBOOK**.
- Si le « nom d'iPod » enregistré dans l'iPod est sélectionné dans le mode de recherche par liste d'écoute souhaité, et si vous appuyez sur la touche **Q /ENT**, vous pouvez rechercher tous les morceaux contenus dans l'iPod. De même, si vous appuyez sur **Q /ENT** pendant au moins 2 secondes, tous les morceaux de l'iPod sont lus.
- La recherche par podcast n'est pas nécessairement prise en charge par tous les iPod.
- Si vous appuyez sur l'une des **touches de présélection (1 à 6)** en mode de recherche, il est possible d'exécuter une recherche rapide en accédant directement à l'endroit voulu. Pour plus de détails, reportez-vous à la section « Fonction de recherche directe » à la page 24.

## Recherche rapide

Vous pouvez rechercher un morceau parmi tous ceux de l'iPod sans sélectionner d'album, d'artiste, etc.

**1** Appuyez sur **Q /ENT** pendant au moins 2 secondes pour activer le mode de recherche rapide.

**2** Tournez le **bouton rotatif** pour sélectionner le morceau souhaité.

Le morceau sélectionné est lu immédiatement.

- Le mode de recherche en cours est annulé si vous maintenez la touche **↵ /ESC** enfoncée pendant 2 secondes au moins ou si vous n'exécutez aucune opération pendant 10 secondes.
- Si l'iPod contient un grand nombre de morceaux, la recherche peut prendre un certain temps.
- Si vous appuyez sur l'une des **touches de présélection (1 à 6)** en mode de recherche, il est possible d'exécuter une recherche rapide en accédant directement à l'endroit voulu. Pour plus de détails, reportez-vous à la section « Fonction de recherche directe » à la page 24.
- Cette fonction est inactive pendant la lecture répétée (**RPT**).

## Fonction de recherche directe

Vous pouvez utiliser la fonction de recherche directe de l'appareil pour rechercher plus efficacement un album, un morceau, etc. En mode liste d'écoute/artiste/album/morceau/podcast/genre/compositeur/livre parlé, vous pouvez rapidement rechercher n'importe quel morceau.

**En mode de recherche, appuyez sur l'une des touches de présélection (1 à 6), qui correspondent chacune à un pourcentage différent, pour progresser rapidement dans le morceau.**

Exemple de recherche par morceau :

Si l'iPod contient 100 morceaux, ils sont divisés en 6 groupes sous la forme de pourcentages (illustrés ci-dessous). Ces groupes correspondent aux touches de présélection 1 à 6.

Exemple 1 :

Supposons que le morceau recherché se situe plus ou moins au milieu (50%) de la bibliothèque : appuyez sur la touche 4 pour accéder au 50ème morceau et tournez le **bouton rotatif** pour rechercher le morceau souhaité.

Exemple 2 :

Supposons que le morceau recherché se situe plus ou moins à la fin (83%) de la bibliothèque : appuyez sur la touche 6 pour accéder au 83ème morceau et tournez le **bouton rotatif** pour rechercher le morceau souhaité.

		Total : 100 morceaux (100%)					
		0%	17%	33%	50%	67%	83%
Touches de présélection		1	2	3	4	5	6
	Morceaux	Premier morceau	17ème morceau	33ème morceau	50ème morceau	67ème morceau	83ème morceau

## Sélection d'une liste d'écoute/d'un artiste/d'un album/d'un genre/d'un compositeur

Vous pouvez changer facilement de liste d'écoute, d'artiste, d'album, de genre ou de compositeur.

Si, par exemple, vous écoutez un morceau d'un album déterminé, vous pouvez changer celui-ci.

**Appuyez sur ◀ ou ▶ pour sélectionner la liste d'écoute, l'artiste, l'album, le genre ou le compositeur de votre choix.**

- Si le mode de recherche a été utilisé pour sélectionner un morceau, cette fonction est inactive.
- Si un album est sélectionné au terme de la recherche par artiste, vous pouvez effectuer une recherche d'albums de cet artiste.
- Cette fonction est inactive pendant la lecture aléatoire (**M.I.X.**).

---

## Lecture aléatoire (M.I.X.)

---

La fonction de lecture aléatoire de l'iPod s'affiche sous le nom M.I.X. sur cet appareil.

### Lecture aléatoire des albums :



Les morceaux de chaque album sont lus dans l'ordre. Une fois que tous les morceaux de l'album ont été lus, un autre album est choisi au hasard. Cela se poursuit jusqu'à ce que tous les albums aient été lus.

### Lecture aléatoire des morceaux :

Cette fonction lit de manière aléatoire les morceaux d'une catégorie choisie (liste d'écoute, album, etc.). Chaque morceau de la catégorie n'est lu qu'une seule fois jusqu'à ce que tous les morceaux soient lus.

#### 1 Appuyez sur 5 .

Les morceaux sont lus dans un ordre aléatoire.

 M.I.X. → M.I.X. → (off) →  M.I.X.  
(Lecture aléatoire des albums) (Lecture aléatoire des morceaux)

#### 2 Pour annuler la lecture M.I.X., sélectionnez (off) en exécutant la procédure ci-dessus.

- Si un morceau est sélectionné en mode de recherche par album avant que soit sélectionnée la lecture M.I.X., les morceaux ne sont pas lus de manière aléatoire, même si la lecture aléatoire des albums est sélectionnée.

### Lecture aléatoire ALL :

La lecture aléatoire ALL lit tous les morceaux de l'iPod de manière aléatoire. Chaque morceau n'est lu qu'une seule fois jusqu'à ce que tous les morceaux soient lus.

#### 1 Appuyez sur 6.

Les morceaux sont lus dans un ordre aléatoire.

M.I.X. → (off) → M.I.X.  
(Lecture aléatoire ALL)

#### 2 Pour annuler la lecture M.I.X., sélectionnez (off) en exécutant la procédure ci-dessus.

- Si vous avez choisi la lecture aléatoire ALL, les morceaux sélectionnés qui sont lus en mode de recherche sont annulés.

---

## Lecture répétée

---

Seul Répéter Un est disponible pour l'iPod.

### Répéter Un :



Un seul morceau peut être lu de manière répétée.

#### 1 Appuyez sur 4.

Le morceau est lu de manière répétée.

RPT → (off) → RPT  
(Répéter Un)

#### 2 Pour annuler la lecture répétée, sélectionnez (off) en exécutant la procédure ci-dessus.

- Pendant la lecture répétée, aucun autre morceau ne peut être sélectionné en appuyant sur  ou .

---

## Affichage du texte

---

Vous pouvez afficher les informations de tag d'un morceau dans l'iPod.

### Appuyez sur VIEW.

Chaque fois que vous appuyez, l'affichage change.

- Lorsque le défilement du texte (TEXT SCROLL) est en mode manuel (MANU), maintenez la touche VIEW enfoncée pendant au moins 2 secondes pour faire défiler le texte actuel une seule fois.

N° PISTE/TEMPS ECOULE → N° PISTE/HORLOGE →  
NOM DE L'ARTISTE\* → NOM DE L'ALBUM\* →  
NOM DU MORCEAU\* → N° PISTE/TEMPS ECOULE

- \* Informations sur le tag « ARTIST »/« ALBUM »/« SONG » s'affiche si aucune information sur le tag n'est disponible.

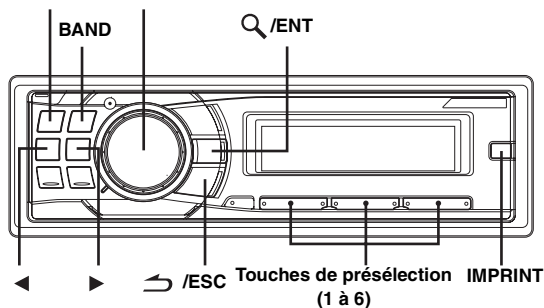
- Seuls des caractères alphanumériques (ASCII) peuvent être affichés.
- Si le nom de l'artiste, de l'album ou du morceau défini dans iTunes compte trop de caractères, les morceaux risquent de ne pas pouvoir être lus lorsque l'iPod est raccordé à l'adaptateur. Il est donc recommandé de ne pas dépasser 250 caractères. Le nombre maximal de caractères pour l'appareil principal est de 128 (128 octets).
- Il est possible que certains caractères ne s'affichent pas correctement.
- « NO SUPPORT » s'affiche si l'appareil ne prend en charge aucune information de texte.

# Utilisation du système IMPRINT (en option)

Alpine présente IMPRINT, la première technologie au monde qui élimine les problèmes acoustiques inhérents aux véhicules (dégradation du son) ; cette technologie restitue en effet le son original du support musical. Pour plus d'informations, reportez-vous à la section « À propos de la technologie IMPRINT » (page 33).

Lorsqu'un boîtier IMPRINT (PXA-H100) (vendu séparément) est raccordé à cet appareil, il est possible d'utiliser le système MultEQ et d'effectuer les réglage audio suivants.

SOURCE/⏪ Bouton rotatif



## Modification du mode MultEQ

Le système MultEQ, développé par Audyssey Labs, corrige automatiquement le son de l'environnement d'écoute. Ce système s'adapte aux emplacements d'installation des enceintes dans le véhicule. Pour cela, le système MultEQ doit mesurer les caractéristiques de réponse du véhicule. Pour plus de détails sur la procédure de configuration, consultez votre revendeur Alpine agréé.

**Maintenez la touche IMPRINT enfoncée pendant au moins 2 secondes pour modifier le mode MultEQ.**

MULTEQ OFF (mode manuel) → CURVE 1 (MultEQ-1) → CURVE 2 (MultEQ-2) → MULTEQ OFF (mode manuel)

- Le mode Curve peut être sélectionné uniquement lorsque les courbes 1 et 2 sont enregistrées.
- Lorsque vous utilisez MultEQ, les modes MEDIAXPANDER, MX LEV MODE, CROSSOVER, T.CORR PARA, FACTORY'S EQ, SUBW PHASE, SUBW CHANNEL, TW SETUP, EQ MODE, FILTER TYPE et PARAMETER EQ/GRAPHIC EQ sont réglés automatiquement. L'utilisateur ne peut plus régler ces modes.
- Lorsqu'un processeur audio externe est raccordé, le système MultEQ n'est pas disponible.

## Réglage du niveau du subwoofer, du niveau des graves, du niveau des aigus, de l'équilibreur avant/arrière et de la balance droite et gauche en mode MultEQ

Vous pouvez modifier ces paramètres afin de créer le son de votre choix en mode MultEQ (CURVE 1 ou CURVE 2).

**1 Appuyez sur IMPRINT pour activer le mode de réglage MultEQ.**

**2 Tournez le bouton rotatif pour sélectionner l'option de votre choix, puis appuyez sur Q/ENT.**

SUBW LEVEL\*1 ↔ BASS LEVEL ↔ TREBLE LEVEL ↔ FADER\*2 ↔ BALANCE ↔ SUBW LEVEL

**3 Tournez le bouton rotatif pour modifier le réglage comme décrit ci-dessous, puis appuyez sur Q/ENT.**

Niveau du subwoofer : 0 ~ +15

Niveau des graves : -7 ~ +7

Niveau des aigus : -7 ~ +7

Équilibreur : R15 ~ F15

Balance : L15 ~ R15

- Si aucune opération n'est exécutée dans les 60 secondes qui suivent la sélection du mode SUBW LEVEL, BASS LEVEL, TREBLE LEVEL, FADER ou BALANCE, l'appareil revient automatiquement en mode normal.

\*1 Lorsque le mode SUBWOOFER est désactivé (OFF), son niveau ne peut pas être réglé et les réglages SUBWOOFER ON/OFF ne peuvent pas être effectués en mode MultEQ (CURVE 1 ou CURVE 2).

\*2 Si vous réglez le commutateur 2,2 canaux (3WAY)/4,2 canaux (FRONT/REAR/SUBW.) du boîtier Imprint (PXA-H100) sur 2,2 canaux (3WAY), il est impossible de régler le mode FADER. Pour plus d'informations, reportez-vous au mode d'emploi du PXA-H100.

- Selon l'appareil raccordé, certaines fonctions n'apparaissent pas sur l'affichage.



## Réglage du son en mode manuel

Vous pouvez modifier les réglages sonores lorsque le mode MultEQ est réglé sur MULTEQ OFF (mode manuel).

**Suivez les étapes 1 à 4 pour sélectionner l'un des modes du menu Son à modifier. Reportez-vous à la section correspondante ci-dessous pour plus d'informations sur l'option sélectionnée.**

**1 Appuyez sur IMPRINT pour activer le mode de sélection du menu Son.**

**2 Tournez le bouton rotatif pour sélectionner l'option de votre choix, puis appuyez sur Q/ENT.**

SUBWOOFER ↔ SUBW SYSTEM\*<sup>1</sup> ↔ SUBW PHASE\*<sup>1</sup> ↔ SUBW CHANNEL\*<sup>1</sup> ↔ FACTORY'S EQ ↔ TW SETUP\*<sup>2</sup> ↔ FILTER TYPE ↔ MEDIAEXPANDER ↔ MX LEV MODE\*<sup>3</sup> ↔ EQ MODE ↔ T.CORR PARA ↔ SOUND ADJUST\*<sup>4</sup> ↔ SUBWOOFER (par exemple, sélectionnez SUBWOOFER)

\*<sup>1</sup> Ces fonctions sont inopérantes lorsque SUBWOOFER est réglé sur OFF.

\*<sup>2</sup> Cette fonction n'est disponible que lorsque le PXA-H100 (vendu séparément) est raccordé et que le mode 2,2 canaux (3WAY) est sélectionné. Pour plus d'informations, reportez-vous au mode d'emploi du PXA-H100.

\*<sup>3</sup> Cette fonction est inopérante lorsque MEDIAEXPANDER est réglé sur OFF.

\*<sup>4</sup> A l'étape 2, trois options de réglage du son (PARAMETER EQ/ GRAPHIC EQ, T.CORRECTION, CROSSOVER) peuvent être sélectionnées en mode SOUND ADJUST ; tournez le bouton rotatif pour sélectionner l'option de votre choix, puis appuyez sur Q/ENT pour passer à l'étape 3.

**3 Tournez le bouton rotatif pour modifier le réglage, puis appuyez sur Q/ENT.**

(par exemple, sélectionnez SUBW ON ou SUBW OFF)

**4 Maintenez la touche ↵ /ESC enfoncée pendant 2 secondes au moins pour revenir au mode normal.**

- Le réglage des modes MEDIAEXPANDER FACTORY'S EQ, PARAMETER EQ/GRAPHIC EQ, EQ MODE et MX LEV MODE est impossible lorsque DEFEAT est réglé sur ON.
- Appuyez sur ↵ /ESC pour revenir au mode du menu Son précédent.
- Si aucune opération n'est exécutée pendant 60 secondes, le mode du menu Son est annulé.

### ON/OFF du subwoofer

Lorsque le subwoofer est activé, vous pouvez en régler le niveau de sortie (reportez-vous à la page 13).

SUBW OFF ↔ SUBW ON (réglage initial)

### Réglage du système du subwoofer

Lorsque le subwoofer est activé, vous pouvez sélectionner System1 ou System2 de manière à obtenir l'effet de subwoofer désiré.

SUBW SYS 1 (réglage initial) ↔ SUBW SYS 2

SUBW SYS 1 : Le niveau du subwoofer varie en fonction du réglage du volume principal.

SUBW SYS 2 : Le niveau du subwoofer est différent du réglage du volume principal. Par exemple, le subwoofer demeure audible même lorsque le volume est réglé à un niveau bas.

### Réglage de la phase du subwoofer

NORMAL (réglage initial) ↔ REVERSE

La phase de sortie du subwoofer bascule sur SUBWOOFER NORMAL (0°) ou sur SUBWOOFER REVERSE (180°). Pour régler le niveau, tournez le bouton rotatif.

### Réglage du canal du subwoofer (SUBW CHANNEL)

Vous pouvez régler la sortie du subwoofer sur stéréo ou sur mono. Veuillez à régler la sortie correspondante au type de subwoofer.

STEREO (Réglage initial) ↔ MONO

STEREO : Sortie subwoofer en stéréo (L/R)

MONO : Sortie subwoofer en mono

### Préréglages de l'égaliseur (FACTORY'S EQ)

10 paramètres de l'égaliseur sont préréglés en usine pour une grande variété de sources de musique.

FLAT ↔ POPS ↔ ROCK ↔ NEWS ↔ JAZZ&BLUES ↔ ELEC DANCE ↔ HIP HOP&RAP ↔ EASY LISTEN ↔ COUNTRY ↔ CLASSICAL ↔ USER 1 ↔ USER 2 ↔ USER 3 ↔ USER 4 ↔ USER 5 ↔ USER 6

- Si vous sélectionnez USER 1 à 6, vous pouvez rappeler le numéro de préréglage mémorisé à la section « Réglage de la courbe de l'égaliseur graphique » (page 29) ou à la section « Réglage de la courbe de l'égaliseur paramétrique » (page 28).

### Réglage de la pente de réponse de l'enceinte des aigus (TW SETUP)

« Si vous réglez la caractéristique de réponse du haut-parleur d'aigus sur FLAT en mode 2,2 canaux (3WAY), vous risquez d'endommager l'enceinte. Assurez-vous que la fréquence de coupure du répartiteur correspond au haut-parleur d'aigus utilisé (reportez-vous à la section « Réglage des paramètres du répartiteur » à la page 29). »

MAKER'S (Réglage initial) ↔ USER'S

MAKER'S : Comme mesure de protection contre de possibles dommages, vous ne pouvez pas sélectionner FLAT pour la pente de réponse de l'enceinte d'aigus en mode 2,2 canaux (3WAY).

USER'S : Le réglage FLAT est disponible en mode 2,2 canaux (3WAY).

## Réglage du type de filtre

NORMAL (Réglage initial) ↔ INDIVIDUAL

**NORMAL (L=R) :** Les enceintes droite et gauche sont réglées simultanément.

**INDIVIDUAL (L/R) :** Les enceintes droite et gauche sont réglées individuellement.

## ON/OFF du mode Media Xpander

Lorsque le mode Media Xpander est activé, vous pouvez en régler le niveau (reportez-vous à la page 28).

MX OFF (réglage initial) ↔ MX ON

## Réglage du niveau MX

Le mode MX (MEDIAXPANDER) différencie les sons vocaux des sons des instruments, indépendamment de la source de musique. Il permet à la radio FM, au CD et à l'iPod de reproduire clairement la musique, même lorsque les bruits de la route envahissent le véhicule.

### Modification de la source à laquelle vous souhaitez appliquer le mode Media Xpander.

#### FM (niveau MX 1 à 3) :

Les aigus et les médiums deviennent plus clairs et vous bénéficiez d'un son bien équilibré sur toutes les fréquences.

#### CD (niveau MX 1 à 3) :

Le mode CD traite une grande quantité de données lors de la lecture. MX utilise ces quantités de données pour reproduire un son plus clair, plus limpide.

#### CMPM/SAT (niveau MX 1 à 3) :

Corrige les informations perdues lors de la compression. Le son est bien équilibré, proche de celui de l'original.

#### DVD (CD vidéo)

#### (niveau MX MOVIE 1 à 2) :

La part de dialogue d'une vidéo est reproduite plus clairement.

#### (DVD MUSIC) :

Un DVD ou un CD vidéo contient une grande quantité de données, telles qu'un clip musical. MX utilise ces données pour reproduire un son clair.

#### AUX (niveau MX 1) :

Choisissez le mode MX (CMPM, MOVIE ou MUSIC) qui correspond au média connecté.

- Chaque source de musique, notamment la radio FM, CD et MP3/WMA/AAC, peut posséder son propre réglage MX.
- Sur des disques contenant des données MP3/WMA/AAC et CD-DA, lorsque la source passe de « MP3/WMA/AAC à CD-DA » ou de « CD-DA à MP3/WMA/AAC », le changement du mode MX peut retarder légèrement la lecture.
- Si vous sélectionnez **EFFECT OFF**, le mode MX de chaque source de musique est désactivé.
- Cette fonction est inopérante lorsque **DEFEAT** est réglé sur **ON**.
- Il n'y a pas de mode MX pour la radio AM.
- Si un processeur audio muni de la fonction MX (PXA-H701, etc.) est raccordé, son propre traitement MX est appliqué à la source de musique. Étant donné que les réglages du processeur MX peuvent ne pas correspondre avec ceux de l'appareil principal, le processeur audio doit être réglé. Pour plus d'informations, reportez-vous au mode d'emploi du processeur audio.
- Le paramètre « **CMPM** » est appliqué aux données MP3/WMA/AAC et à l'iPod.
- « **SAT** » s'applique à la fois à XM Radio et à SIRIUS Radio.

## Réglage du mode EQ

Ce réglage vous permet de sélectionner l'égaliseur paramétrique à 5 gammes ou l'égaliseur graphique à 7 gammes.

PARAMETER EQ (réglage initial) ↔ GRAPHIC EQ

PEQ : égaliseur paramétrique à 5 gammes

GEQ : égaliseur graphique à 7 gammes

## Réglage de l'unité de correction du temps (T.CORR PARA)

Vous pouvez changer l'unité de correction du temps (cm ou pouces).

CM (réglage initial) ↔ INCH

## Réglage du champ sonore (SOUND ADJUST)

Le réglage de PARAMETER EQ/GRAPHIC EQ, T.CORRECTION et CROSSOVER peut être effectué dans ce mode.

### Réglage de la courbe de l'égaliseur paramétrique

Vous pouvez modifier les réglages de l'égaliseur afin de créer une courbe de réponse plus adaptée à vos goûts. Pour ajuster la courbe de l'égaliseur paramétrique, réglez le mode EQ MODE sur PARAMETER EQ. Pour de plus amples informations, reportez-vous à la section « Réglage du mode EQ » (page 28).

#### 1 Après avoir sélectionné PARAMETER EQ, en mode SOUND ADJUST, appuyez sur **BAND** pour sélectionner la gamme à régler.

B 1 → B 2 → B 3 → B 4 → B 5 → B 1

#### 2 Appuyez sur ◀ ou ▶ pour sélectionner les gammes de fréquences.

Gammes de fréquences ajustables :  
20 Hz à 20 kHz (par incréments de 1/3 octaves)

Band-1 : 20 Hz à 80 Hz (63 Hz)  
Band-2 : 50 Hz à 200 Hz (150 Hz)  
Band-3 : 125 Hz à 3,2 kHz (400 Hz)  
Band-4 : 315 Hz à 8 kHz (1 kHz)  
Band-5 : 800 Hz à 20 kHz (2,5 kHz)

#### 3 Tournez le bouton rotatif pour régler le niveau.

Niveau ajustable : -6 à +6 dB

#### 4 Appuyez sur **SOURCE/⏻** pour régler la largeur de bande (Q).

Largeur de bande ajustable : 1, 1,5, 3

#### 5 Pour régler une autre gamme, répétez les étapes 1 à 4, puis réglez toutes les gammes.

- Les fréquences des gammes adjacentes ne peuvent pas être réglées en 4 étapes.
- Pendant le réglage de PARAMETER EQ, vous devez prendre en compte la réponse en fréquence des enceintes raccordées.

## Réglage de la courbe de l'égaliseur graphique

Vous pouvez modifier les paramètres de l'égaliseur afin de créer une courbe de réponse plus adaptée à vos goûts. Pour ajuster la courbe de l'égaliseur graphique, réglez le mode EQ MODE sur GRAPHIC EQ. Pour de plus amples informations, reportez-vous à la section « Réglage du mode EQ » (page 28).

### 1 Après avoir sélectionné GRAPHIC EQ en mode SOUND ADJUST, appuyez sur **BAND** pour sélectionner la gamme à régler.

B 1 → B 2 → B 3 → B 4 → B 5 → B 6 → B 7 → B 1

Band-1 (63 Hz) / Band-2 (150 Hz) / Band-3 (400 Hz) /  
Band-4 (1 kHz) / Band-5 (2,5 kHz) / Band-6 (6,3 kHz) /  
Band-7 (17,5 kHz)

### 2 Tournez le bouton rotatif pour régler le niveau.

Niveau de sortie ajustable : -6 à +6 dB

### 3 Pour régler une autre gamme, répétez les étapes 1 et 2, puis réglez toutes les gammes.

## Réglage de la correction du temps

Avant d'effectuer les procédures suivantes, reportez-vous à la section « À propos de la correction du temps » (page 31).

### 1 Après avoir sélectionné T.CORRECTION dans le mode SOUND ADJUST, appuyez sur **BAND** pour sélectionner l'enceinte à régler.

#### Système 2,2 canaux (3WAY)

F-L (réglage initial) → F-R → R-L → R-R →  
(Moy-G) (Moy-D) (Aigus-G) (Aigus-D)  
SW-L → SW-R → F-L  
(Moy-G)

#### Système 4,2 canaux (FRONT/REAR/SUBW.)

F-L (réglage initial) → F-R → R-L → R-R →  
(Avant-G) (Avant-D) (Arrière-G) (Arrière-D)  
SW-L → SW-R → F-L  
(Avant-G)

### 2 Tournez le bouton rotatif pour régler la valeur de correction de la distance. (0,0 à 336,6 cm).

L = (distance qui vous sépare de l'enceinte la plus éloignée) – (distance qui vous sépare des autres enceintes)

Reportez-vous à la section « Liste des valeurs de correction du temps » à la page 31.

### 3 Répétez les étapes 1 et 2 pour régler une autre enceinte.

Réglez ces valeurs afin que le son de cette enceinte atteigne la position d'écoute en même temps que le son des autres enceintes.

## Réglage des paramètres du répartiteur

Avant d'effectuer les procédures suivantes, reportez-vous à la section « À propos du répartiteur » (page 32).

### Système 2,2 canaux (3WAY)

#### 1 Après avoir sélectionné CROSSOVER en mode SOUND ADJUST, appuyez sur **BAND** pour sélectionner la gamme à régler.

##### Système 2,2 canaux (3WAY) / NORMAL (L=R)

###### Éléments de réglage :

LOW / M-L / M-H / HIGH

##### Système 2,2 canaux (3WAY) / INDIVIDUAL (L/R)

###### Éléments de réglage :

L-L / L-R / ML-L / ML-R / MH-L / MH-R / H-L / H-R

#### 2 Appuyez sur ◀ ou ▶ pour sélectionner la fréquence de coupure de votre choix (point de croisement).

Gammes de fréquences ajustables :

##### Système 2,2 canaux (3WAY)

###### Éléments de réglage :

LOW / M-L 20 Hz à 200 Hz

M-H 20 Hz à 20 kHz

HIGH (1 kHz~20 kHz)\*<sup>1</sup>/(20 Hz~20 kHz)\*<sup>2</sup>

\*<sup>1</sup> Si vous sélectionnez l'option *Maker's*, reportez-vous à la section « Réglage de la pente de réponse de l'enceinte des aigus (TW SETUP) » (page 27).

\*<sup>2</sup> Si vous sélectionnez l'option *User's*, reportez-vous à la section « Réglage de la pente de réponse de l'enceinte des aigus (TW SETUP) » (page 27).

#### 3 Appuyez sur **SOURCE**/⏻ pour régler la pente.

Pente ajustable : FLAT\*, 6 dB/oct., 12 dB/oct., 18 dB/oct., 24 dB/oct.

\* Le paramètre FLAT peut être réglé uniquement pour la pente HIGH lorsque vous avez sélectionné *USER'S* à la section « Réglage de la pente de réponse de l'enceinte des aigus (TW SETUP) » (page 27). Selon les caractéristiques de réponse de l'enceinte, vous devez faire attention lorsque vous réglez la pente de réponse sur FLAT, car vous risquez d'endommager l'enceinte. Un message s'affiche lorsque la pente de réponse de l'enceinte des aigus est réglée sur FLAT.

#### 4 Tournez le bouton rotatif pour régler le niveau de sortie.

Niveau de sortie ajustable : -12 à 0 dB.

#### 5 Répétez les étapes 1 à 4 pour régler les autres gammes.

## Système 4,2 canaux (FRONT/REAR/SUBW.)

- 1 Après avoir sélectionné **CROSSOVER** en mode **SOUND ADJUST**, appuyez sur **BAND** pour sélectionner la gamme à régler.

### Système 4,2 canaux (FRONT/REAR/SUBW.) / NORMAL (L=R)

#### Éléments de réglage :

LOW (SUB-W) / MID (REAR) / HIGH (FRONT)

### Système 4,2 canaux (FRONT/REAR/SUBW.) / INDIVIDUAL (L/R)

#### Éléments de réglage :

L (SUB-W)-L / L (SUB-W)-R / M (REAR)-L /  
M (REAR)-R / H (FRONT)-L / H (FRONT)-R

- 2 Appuyez sur ◀ ou ▶ pour sélectionner la fréquence de coupure de votre choix (point de croisement).

Gammes de fréquences ajustables :

### Système 4,2 canaux (FRONT/REAR/SUBW.)

#### Éléments de réglage :

20 Hz à 200 Hz

- 3 Appuyez sur **SOURCE**/ $\odot$  pour régler la pente.

Pente ajustable : FLAT, 6 dB/oct., 12 dB/oct., 18 dB/oct.,  
24 dB/oct.

- 4 Tournez le bouton rotatif pour régler le niveau de sortie.

Niveau de sortie ajustable : -12 à 0 dB.

- 5 Répétez les étapes 1 à 4 pour régler les autres gammes.

- Pendant le réglage de **CROSSOVER**, vous devez prendre en compte la réponse en fréquence des enceintes raccordées.
- À propos du système à 2,2 canaux (3WAY)/4,2 canaux (FRONT/REAR/SUBW.)

Vous pouvez commuter le mode du système à 2,2 canaux (3WAY)/4,2 canaux (FRONT/REAR/SUBW.) à l'aide du commutateur 2,2 canaux (3WAY)/4,2 canaux (FRONT/REAR/SUBW.) situé sur le PXA-H100. Pour plus d'informations, reportez-vous au mode d'emploi du PXA-H100.

## Mémorisation des réglages du champ sonore

Les réglages du mode SOUND ADJUST (notamment PARAMETER EQ/GRAPHIC EQ, T.CORRECTION et CROSSOVER) peuvent être mémorisés.

- 1 Une fois les réglages du mode SOUND ADJUST terminés, sélectionnez l'une des touches de présélection (1 à 6) dans l'un des réglages du mode SOUND ADJUST (par exemple CROSSOVER), puis maintenez-la enfoncée pendant au moins 2 secondes.

- 2 Tournez le bouton rotatif pour sélectionner le mode PROTECT YES/NO, appuyez sur YES/NO, puis sur  $\odot$ /ENT pour mémoriser les données réglées.

PROTECT YES (réglage initial)  $\leftrightarrow$  PROTECT NO

- Si vous sélectionnez YES, le contenu réglé est protégé et enregistré sous les touches de présélection. Si vous souhaitez enregistrer le paramètre sous une touche de présélection protégée, vous pouvez sélectionner « REPLACE NO/YES ».
- Si vous sélectionnez NO, le pré-réglage est mémorisé.
- Pendant cette opération, tous les éléments réglés de PARAMETER EQ/GRAPHIC EQ, T.CORRECTION et CROSSOVER seront mémorisés dans les touches de présélection.
- Les données mémorisées ne sont pas supprimées lorsque vous réinitialisez l'appareil ou déconnectez la batterie.
- Vous pouvez rappeler les données mémorisées en suivant les instructions de la section « Rappel des réglages mémorisés du champ sonore » (page 30).

## Rappel des réglages mémorisés du champ sonore

Le mode SOUND ADJUST contient désormais les réglages mémorisés des paramètres PARAMETER EQ/GRAPHIC EQ, T.CORRECTION et CROSSOVER.

- 1 Après avoir sélectionné une option du mode SOUND ADJUST (par exemple, CROSSOVER), appuyez sur l'une des touches de présélection (1 à 6) pour rappeler les réglages mémorisés.

- 2 Appuyez à nouveau sur les touches de présélection pour revenir au mode SOUND ADJUST.

- Pendant cette opération, tous les éléments réglés de PARAMETER EQ/GRAPHIC EQ, T.CORRECTION et CROSSOVER mémorisés dans les touches de présélection sont rappelés.

## À propos de la correction du temps

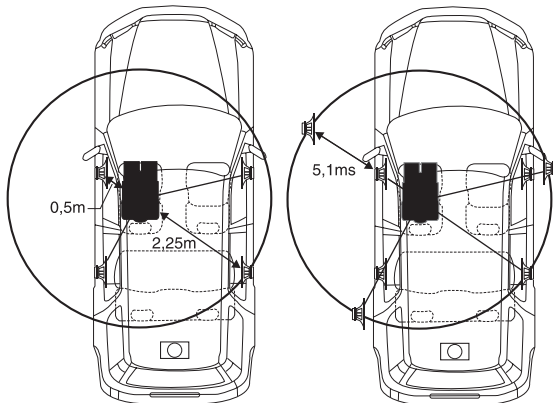
La distance entre l'auditeur et les enceintes dans un véhicule peut varier selon l'emplacement des enceintes. Cette différence dans la distance entre les enceintes et l'auditeur modifie le son et les caractéristiques de la fréquence. Ceci est dû au fait que le son n'arrive pas en même temps à l'oreille droite et à l'oreille gauche de l'auditeur.

Pour corriger cet effet, l'appareil retarde le signal audio vers les enceintes les plus proches de l'auditeur. Ainsi, l'auditeur a la sensation que ces enceintes sont séparées. L'auditeur peut donc se trouver à égale distance entre les enceintes gauche et droite pour bénéficier d'un son optimal.

Ce réglage sera effectué pour chaque enceinte par incréments de 3,4 cm.

### Exemple 1. Position d'écoute : siège avant gauche

Réglez le niveau de la correction du temps de l'enceinte avant gauche sur une valeur supérieure et celui de l'enceinte arrière droite sur zéro ou sur une valeur inférieure.



Le son n'est pas équilibré car la distance entre la position d'écoute et les diverses enceintes n'est pas la même.

La différence de distance entre l'enceinte avant gauche et l'enceinte arrière droite est de 1,75 m (68-7/8").

La valeur de la correction du temps de l'enceinte avant gauche est calculée dans le diagramme ci-dessus.

Conditions :

Enceinte la plus éloignée – position d'écoute : 2,25 m (88-9/16")

Enceinte avant gauche – position d'écoute : 0,5 m (19-11/16")

Calcul :  $L = 2,25 \text{ m} - 0,5 \text{ m} = 1,75 \text{ m}$  (68-7/8")

Correction du temps =  $1,75 \div 343^{*1} \times 1\,000 = 5,1 \text{ (ms)}$

\*<sup>1</sup> Vitesse du son : 343 m/s (765 mph) à 20°C

En d'autres termes, étant donné que la valeur de correction du temps de l'enceinte avant gauche est de 5,1 ms, l'auditeur a la sensation que la distance qui le sépare de l'enceinte avant gauche est la même que celle qui le sépare de l'enceinte la plus éloignée.

La correction du temps élimine les différences dans le délai requis pour que le son atteigne la position d'écoute.

Le temps de l'enceinte avant gauche est corrigé de 5,1 ms afin que le son de cette enceinte atteigne la position d'écoute en même temps que le son des autres enceintes.

### Exemple 2. Position d'écoute : tous les sièges

Réglez la correction du temps de chaque enceinte sur le même niveau.

- 1 **Asseyez-vous à la position d'écoute (siège du conducteur, etc.), puis mesurez la distance (en mètres) entre votre tête et les diverses enceintes.**
- 2 **Calculez la différence entre la valeur de correction de la distance qui vous sépare de l'enceinte la plus éloignée et celle qui vous sépare des autres enceintes.**

$L = (\text{distance qui vous sépare de l'enceinte la plus éloignée}) - (\text{distance qui vous sépare des autres enceintes})$

Ces valeurs sont les valeurs de correction du temps des diverses enceintes. Réglez ces valeurs afin que chaque son atteigne la position d'écoute en même temps que le son des autres enceintes.

### Liste des valeurs de correction du temps

Numéro de délai	Différence de temps (ms)	Distance (cm)	Distance (pouces)	Numéro de délai	Différence de temps (ms)	Distance (cm)	Distance (pouces)
0	0,0	0,0	0,0	51	5,1	173,4	68,3
1	0,1	3,4	1,3	52	5,2	176,8	69,7
2	0,2	6,8	2,7	53	5,3	180,2	71,0
3	0,3	10,2	4,0	54	5,4	183,6	72,4
4	0,4	13,6	5,4	55	5,5	187,0	73,7
5	0,5	17,0	6,7	56	5,6	190,4	75,0
6	0,6	20,4	8,0	57	5,7	193,8	76,4
7	0,7	23,8	9,4	58	5,8	197,2	77,7
8	0,8	27,2	10,7	59	5,9	200,6	79,1
9	0,9	30,6	12,1	60	6,0	204,0	80,4
10	1,0	34,0	13,4	61	6,1	207,4	81,7
11	1,1	37,4	14,7	62	6,2	210,8	83,1
12	1,2	40,8	16,1	63	6,3	214,2	84,4
13	1,3	44,2	17,4	64	6,4	217,6	85,8
14	1,4	47,6	18,8	65	6,5	221,0	87,1
15	1,5	51,0	20,1	66	6,6	224,4	88,4
16	1,6	54,4	21,4	67	6,7	227,8	89,8
17	1,7	57,8	22,8	68	6,8	231,2	91,1
18	1,8	61,2	24,1	69	6,9	234,6	92,5
19	1,9	64,6	25,5	70	7,0	238,0	93,8
20	2,0	68,0	26,8	71	7,1	241,4	95,1
21	2,1	71,4	28,1	72	7,2	244,8	96,5
22	2,2	74,8	29,5	73	7,3	248,2	97,8
23	2,3	78,2	30,8	74	7,4	251,6	99,2
24	2,4	81,6	32,2	75	7,5	255,0	100,5
25	2,5	85,0	33,5	76	7,6	258,4	101,8
26	2,6	88,4	34,8	77	7,7	261,8	103,2
27	2,7	91,8	36,2	78	7,8	265,2	104,5
28	2,8	95,2	37,5	79	7,9	268,6	105,9
29	2,9	98,6	38,9	80	8,0	272,0	107,2
30	3,0	102,0	40,2	81	8,1	275,4	108,5
31	3,1	105,4	41,5	82	8,2	278,8	109,9
32	3,2	108,8	42,9	83	8,3	282,2	111,2
33	3,3	112,2	44,2	84	8,4	285,6	112,6
34	3,4	115,6	45,6	85	8,5	289,0	113,9
35	3,5	119,0	46,9	86	8,6	292,4	115,2
36	3,6	122,4	48,2	87	8,7	295,8	116,6
37	3,7	125,8	49,6	88	8,8	299,2	117,9
38	3,8	129,2	50,9	89	8,9	302,6	119,3
39	3,9	132,6	52,3	90	9,0	306,0	120,6
40	4,0	136,0	53,6	91	9,1	309,4	121,9
41	4,1	139,4	54,9	92	9,2	312,8	123,3
42	4,2	142,8	56,3	93	9,3	316,2	124,6
43	4,3	146,2	57,6	94	9,4	319,6	126,0
44	4,4	149,6	59,0	95	9,5	323,0	127,3
45	4,5	153,0	60,3	96	9,6	326,4	128,6
46	4,6	156,4	61,6	97	9,7	329,8	130,0
47	4,7	159,8	63,0	98	9,8	333,2	131,3
48	4,8	163,2	64,3	99	9,9	336,6	132,7
49	4,9	166,6	65,7				
50	5,0	170,0	67,0				

## À propos du répartiteur

### Répartiteur (X-OVER) :

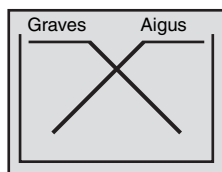
Cet appareil est équipé d'un répartiteur. Le répartiteur permet de limiter les fréquences livrées aux sorties. Chaque canal est contrôlé indépendamment. Par conséquent, chaque paire d'enceintes peut être contrôlée par les fréquences pour lesquelles elles ont été conçues.

Le répartiteur permet de régler le filtre passe-haut (HPF) et le filtre passe-bas (LPF) de chaque gamme, ainsi que la pente (c'est-à-dire la vitesse à laquelle le filtre émet les sons graves et aigus).

Vous devez effectuer ces réglages conformément aux caractéristiques de reproduction des enceintes. Selon les enceintes, un réseau passif n'est peut-être pas nécessaire. Si vous n'en êtes pas certain, consultez votre revendeur Alpine agréé.

### Mode 4,2ch (FRONT/REAR/SUBW.)

	Fréquence de coupure (incrément de 1/3 octaves)		Pente		Niveau
	HPF	LPF	HPF	LPF	
Enceinte de graves	----	20 Hz - 200 Hz	----	FLAT, 6, 12, 18, 24 dB/oct.	0 à -12 dB
Enceinte d'aigus arrière	20 Hz - 200 Hz	----	FLAT, 6, 12, 18, 24 dB/oct.	----	0 à -12 dB
Enceinte d'aigus avant	20 Hz - 200 Hz	----	FLAT, 6, 12, 18, 24 dB/oct.	----	0 à -12 dB

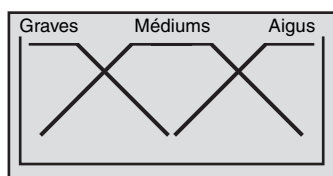


(différent de l'affichage actuel)

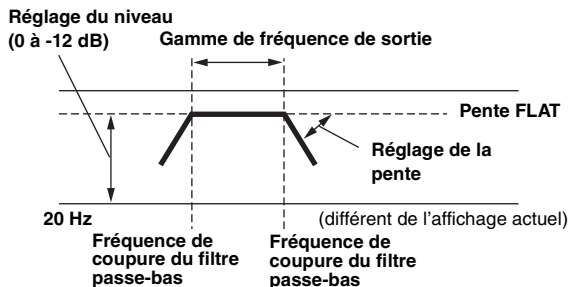
### Mode 2.2ch (3WAY)

	Fréquence de coupure (incrément de 1/3 octaves)		Pente		Niveau
	HPF	LPF	HPF	LPF	
Enceinte de graves	----	20 Hz - 200 Hz	----	FLAT, 6, 12, 18, 24 dB/oct.	0 à -12 dB
Enceinte de médiums	20 Hz - 200 Hz	20 Hz - 20 kHz	FLAT, 6, 12, 18, 24 dB/oct.	FLAT, 6, 12, 18, 24 dB/oct.	0 à -12 dB
Enceinte des aigus	1 kHz - 20 kHz, (20 Hz ~ 20 kHz)*	----	FLAT* 6, 12, 18, 24 dB/oct.	----	0 à -12 dB

\* Uniquement lorsque vous sélectionnez User's à la section « Réglage de la pente de réponse de l'enceinte des aigus (TW SETUP) » (page 27).



(différent de l'affichage actuel)



- **Filtre passe-haut (HPF) :** coupe les basses fréquences et permet aux fréquences les plus aiguës de passer.
- **Filtre passe-bas (LPF) :** coupe les fréquences aiguës et permet aux fréquences les plus basses de passer.
- **Pente :** le niveau change (en dB) pour un changement de fréquence d'une octave.
- Plus la valeur de la pente est élevée, plus la pente devient raide.
- Réglez la pente sur FLAT pour contourner les filtres passe-haut ou passe-bas.
- N'utilisez pas un haut-parleur d'aigus sans le filtre passe-haut (HPF) ou pour régler une basse fréquence, car celle-ci pourrait endommager les enceintes.
- Vous ne pouvez pas régler le répartiteur sur une fréquence supérieure au filtre passe-haut (HPF) et inférieure au filtre passe-bas (LPF).
- Le réglage doit être effectué conformément à la fréquence de croisement recommandée des enceintes raccordées. Déterminez la fréquence de croisement recommandée des enceintes. Si vous réglez une fréquence en dehors de la gamme recommandée, vous risquez d'endommager les enceintes.

Pour les fréquences de croisement des enceintes Alpine, reportez-vous au mode d'emploi correspondant.

Nous ne sommes pas responsables des dommages ou dysfonctionnements des enceintes en cas d'utilisation du répartiteur en dehors de la valeur recommandée.

## À propos de la technologie IMPRINT

Alpine présente IMPRINT, la première technologie au monde qui élimine les problèmes acoustiques inhérents aux véhicules (dégradation du son) ; cette technologie restitue en effet le son original du support musical.

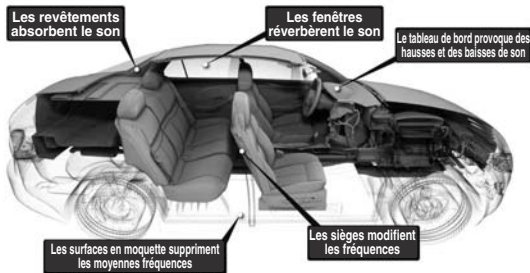


### VISION ARTISTIQUE ET RÉALITÉ

Toute création musicale commence par la vision de l'artiste. Après des heures de répétition, d'enregistrement et de mixage, cette vision est enfin matérialisée et prête à être écoutée sur un disque, à la radio ou au moyen d'un autre support. Mais percevons-nous la musique telle que l'artiste l'a créée ? Malheureusement, force est de constater que la qualité sonore n'est pratiquement jamais identique à celle de l'enregistrement original de l'artiste, notamment lorsque nous écoutons de la musique dans un véhicule.

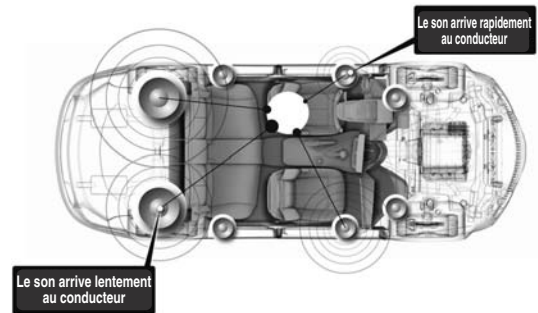
### LES VÉHICULES SONT DES ESPACES SONORES DE MAUVAISE QUALITÉ

Les matériaux utilisés dans la construction d'un véhicule dénaturent le son. Par exemple, les fenêtres amplifient et reflètent les hautes fréquences. Les matériaux utilisés pour les sièges et le tableau de bord modifient certaines fréquences. Les tapis absorbent et suppriment les moyennes fréquences. Les égaliseurs graphiques et paramétriques ne sont que des solutions provisoires. En outre, les enceintes ne sont habituellement pas placées à égale distance des auditeurs, ce qui crée un son non équilibré et non centré. La correction du temps permet de résoudre ces problèmes, mais pour une seule position d'écoute.



## PRÉSENTATION DE LA TECHNOLOGIE IMPRINT

Ces problèmes acoustiques sont graves et aucun système de correction n'est jusqu'à présent parvenu à les résoudre. Jusqu'à aujourd'hui... Grâce à la technologie IMPRINT, Alpine propose une combinaison matériel/logiciel qui non seulement permet de résoudre ces problèmes, mais qui améliore la balance et la définition sonore, et ceci automatiquement et en quelques minutes seulement !

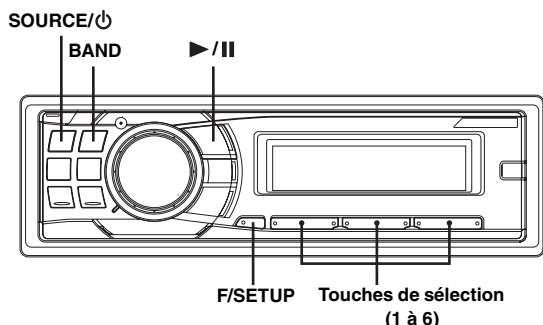


### EN QUOI LA TECHNOLOGIE IMPRINT EST-ELLE DIFFÉRENTE ?

La technologie IMPRINT qui utilise MultEQ est supérieure aux autres systèmes d'égalisation pour cinq raisons.

- C'est le seul système qui mesure l'intégralité de la zone d'écoute : il analyse le domaine temporel à partir de chaque position d'écoute, puis identifie et applique la méthode adéquate sur toutes les positions d'écoute. Les auditeurs bénéficient donc d'un son parfait, quelle que soit leur position d'écoute.
- Il permet de corriger les problèmes de temps et de fréquences afin de bénéficier d'un son plus naturel.
- Il utilise la répartition des fréquences dynamiques afin d'appliquer des centaines de points de correction aux zones les plus affectées.
- Il détermine des points de combinaison optimisés pour le recouvrement des basses fréquences.
- Il réalise en quelques minutes la syntonisation du son, qui requiert généralement plusieurs jours de travail aux professionnels.

# Changeur (en option)



## Contrôle d'un changeur CD (en option)

Un changeur CD à 6 disques ou 12 disques en option peut être raccordé à cet appareil s'il est compatible Ai-NET. Si un changeur CD est raccordé à l'entrée Ai-NET de cet appareil, il peut être commandé par ce dernier.

Grâce au KCA-400C (dispositif de commutation multi-changeur) ou du KCA-410C (Versatile Link Terminal), plusieurs changeurs peuvent être commandés par cet appareil.

Reportez-vous à la section « Sélection du multi-changeur (en option) » à la page 34 pour sélectionner les changeurs CD.

- Les commandes de cet appareil pour l'exploitation du changeur CD sont disponibles uniquement lorsqu'un changeur CD est raccordé.
- Le changeur DVD (en option) peut être commandé à partir de cet appareil ainsi que du changeur CD.

### 1 Appuyez sur **SOURCE/⏻** pour activer le mode **CHANGER**.

- L'indicateur de source dépend de la source raccordée.
- Appuyez sur **BAND** pour passer du mode disque au mode changeur.

### 2 Appuyez sur **F/SETUP** pour activer le mode de sélection du disque.

Mode de sélection du disque (Disque n° 1 à 6) → Mode de sélection du disque\* (Disque n° 7 à 12) →

Mode RPT/M.I.X. → Mode de sélection du disque (Disque n° 1 à 6)

### 3 Appuyez sur l'une des **touches de sélection (1 à 6)** correspondant à l'un des disques chargés dans le changeur CD.

Le numéro de disque sélectionné apparaît et la lecture du CD ou du fichier MP3 commence.

- Après avoir sélectionné le disque souhaité, vous pouvez procéder de la même manière que pour le changeur CD de cet appareil. Pour plus d'informations, reportez-vous à la section « CD/MP3/WMA/AAC ».

\* Si un changeur 12 disques est sélectionné.

## Lecture de fichiers MP3 avec le changeur CD (en option)

Si vous raccordez un changeur compatible MP3, vous pouvez lire sur cet appareil les CD-ROM, CD-R et CD-RW contenant des MP3.

- 1 Appuyez sur **SOURCE/⏻** pour passer au mode changeur MP3.
- 2 Appuyez sur l'une des **touches de sélection (1 à 6)** qui correspond à l'un des disques chargés dans le changeur CD.
- 3 Pour interrompre la lecture, appuyez sur **▶/||**. Appuyez à nouveau sur **▶/||** pour reprendre la lecture.

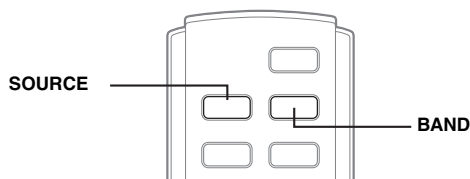
- L'appareil peut lire des disques contenant à la fois des données audio et des données MP3.
- Pour commander le MP3 avec un changeur CD compatible MP3, reportez-vous à la section « CD/MP3/WMA/AAC », pages 9 à 12.

## Sélection du multi-changeur (en option)

Le système Ai-NET Alpine prend en charge jusqu'à 6 changeurs CD. Si vous voulez utiliser deux changeurs ou plus, vous devrez utiliser le KCA-400C (commutateur multi-changeurs). Si vous utilisez 1 dispositif de commutation, vous pouvez raccorder jusqu'à 4 changeurs CD. Si vous utilisez 2 dispositifs de commutation, vous pouvez raccorder jusqu'à 6 changeurs CD. Lorsque vous utilisez le KCA-410C (Versatile Link Terminal), vous pouvez raccorder deux changeurs et deux sorties externes (AUX).

### 1 Appuyez sur la touche **SOURCE/⏻** de cet appareil pour activer le mode changeur CD.

Vous pouvez également appuyer sur la touche SOURCE de la télécommande (RUE-4202) pour activer le mode changeur CD.



### 2 Appuyez sur la touche **BAND** de l'appareil ou de la télécommande RUE-4202 pour activer le mode de sélection du changeur CD.

Le mode de sélection du changeur CD demeure actif pendant quelques secondes.

### 3 Appuyez sur **BAND** jusqu'à ce que l'indicateur du changeur CD souhaité apparaisse sur l'affichage.

Vous pouvez également appuyer sur la touche BAND de la télécommande jusqu'à ce que l'indicateur du changeur s'affiche à l'écran.

- Si le changeur CD sélectionné n'est pas raccordé, l'affichage indique « NO CHANGER (No.) ».
- Pour commander le changeur sélectionné, reportez-vous à la section « CD/MP3/WMA/AAC » (pages 9 à 12).
- Pour plus d'informations sur l'entrée externe (AUX) avec le KCA-410C, reportez-vous à la section « Réglage du mode de configuration AUX+ SETUP » à la page 18.



# Informations

## En cas de problème

En cas de problème, éteignez l'appareil, puis remettez-le sous tension. Si l'appareil ne fonctionne toujours pas correctement, vérifiez les éléments de la liste de contrôle ci-dessous. Ce guide devrait vous aider à résoudre tout problème provenant de l'appareil. Sinon, vérifiez les connexions du reste du système ou consultez un revendeur Alpine agréé.

### Base

#### Fonctions inopérantes ou absence d'affichage.

- La clé de contact du véhicule est sur la position d'arrêt.
  - Si l'appareil est raccordé selon les instructions, il ne fonctionne pas quand la clé de contact est sur la position d'arrêt.
- Connexions incorrectes du fil d'alimentation (rouge) et du fil de la batterie (jaune).
  - Vérifiez les connexions du fil d'alimentation et du fil de la batterie.
- Fusible grillé.
  - Vérifiez le fusible de l'appareil et remplacez-le par un fusible approprié, si nécessaire.
- Disfonctionnement du microprocesseur interne dû à des interférences de bruit, etc.
  - Appuyez sur le commutateur RESET avec un stylo à bille ou un objet pointu.

### Radio

#### Impossible de recevoir les stations.

- Pas d'antenne ou connexion incorrecte des câbles.
  - Vérifiez que l'antenne est bien raccordée ; remplacez l'antenne ou le câble si nécessaire.

#### Impossible d'accorder les stations en mode de recherche automatique.

- Les signaux dans la région sont faibles.
  - Vérifiez que le tuner est en mode DX.
- Si vous vous trouvez dans une région à signal fort, l'antenne n'est peut-être pas mise à la terre ou raccordée correctement.
  - Vérifiez les connexions de l'antenne ; vérifiez qu'elle est correctement reliée à l'emplacement du montage.
- La longueur de l'antenne ne convient peut-être pas.
  - Vérifiez si l'antenne est complètement déployée. Si l'antenne est cassée, remplacez-la par une neuve.

#### Réception parasitée.

- La longueur de l'antenne ne convient pas.
  - Déployez complètement l'antenne, remplacez-la si elle est cassée.
- L'antenne n'est pas correctement reliée à l'emplacement de montage.
  - Vérifiez que l'antenne est correctement reliée à l'emplacement de montage.

### CD

#### Le lecteur/changeur de CD ne fonctionne pas.

- La température dépasse +50°C (+120°F) pour le CD.
  - Laissez la température de l'habitacle (ou du coffre) baisser.

#### Le son de lecture du disque est déformé.

- Condensation de l'humidité dans le module CD.
  - Attendez que l'humidité s'évapore (environ 1 heure).

#### Insertion de disque impossible.

- Le lecteur contient déjà un CD.
  - Éjectez le disque et enlevez-le.
- Le CD est mal inséré.
  - Assurez-vous que le CD est inséré conformément aux instructions décrites à la section relative au fonctionnement du lecteur CD.

#### Recherche rapide vers l'avant/vers l'arrière impossible.

- Le CD est endommagé.
  - Éjectez le disque et jetez-le. L'utilisation d'un disque endommagé peut altérer le mécanisme de l'appareil.

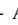
#### Pertes de son dues à des vibrations.

- Mauvais montage de l'appareil.
  - Réinstallez l'appareil correctement.
- Disque très sale.
  - Nettoyez le disque.
- Disque rayé.
  - Remplacez le disque.
- Lentille de lecture sale.
  - N'utilisez pas un disque de nettoyage disponible dans le commerce. Consultez le revendeur Alpine le plus proche.

#### Pertes de son non dues à des vibrations.

- Disque sale ou rayé.
  - Nettoyez le disque ; remplacez tout disque endommagé.

#### Écrans d'erreur (lecteur CD intégré seulement).

- Erreur mécanique.
  - Appuyez sur . Après que l'indication d'erreur a disparu, réintroduisez le disque. Si la solution mentionnée ci-dessus ne résout pas le problème, consultez votre revendeur Alpine.

#### Lecture du CD-R/CD-RW impossible.

- La session de fermeture (finalisation) n'a pas été effectuée.
  - Effectuez la finalisation et reprenez la lecture du disque.

### MP3/WMA/AAC

#### Le format MP3, WMA ou AAC n'est pas reproduit.

- Une erreur de lecture s'est produite. Le format CD n'est pas compatible.
  - Assurez-vous que le CD a été écrit dans un format pris en charge. Reportez-vous à la section « À propos des fichiers MP3/WMA/AAC » (pages 11 à 12), puis réessayez dans un format pris en charge par cet appareil.

### Audio

#### Le son n'est pas reproduit par les enceintes.

- L'appareil ne reçoit pas le signal de sortie de l'amplificateur interne.
  - Power IC est réglé sur « ON » (page 17).

### iPod

#### Absence de son et de lecture sur l'iPod.

- L'iPod n'est pas reconnu.
  - Réinitialisez l'appareil et l'iPod. Reportez-vous à la section « Mise en service de l'appareil » (page 6). Pour réinitialiser l'iPod, reportez-vous à son Mode d'emploi.

## Indications pour le lecteur de CD

### NO DISC

- Aucun CD n'a été introduit.
  - Introduisez un CD.
- Bien qu'un disque soit inséré dans l'appareil, l'indication « NO DISC » est affichée et le disque ne peut pas être lu ou éjecté.
  - Enlevez le disque en procédant de la façon suivante :  
Appuyez à nouveau sur la touche ▲ et maintenez-la enfoncée pendant au moins 2 secondes.  
Si le disque ne s'éjecte toujours pas, consultez votre revendeur Alpine.

### ERROR

- Erreur du mécanisme.
  - 1) Appuyez sur ▲ et éjectez le CD.  
Si l'éjection n'a pas lieu, consultez le revendeur Alpine.
  - 2) Lorsqu'une indication d'erreur persiste après l'éjection, appuyez à nouveau sur ▲.  
Si une indication d'erreur persiste toujours après avoir appuyé plusieurs fois sur ▲, consultez le revendeur Alpine.
- Si l'indication « ERROR » est affichée :  
*S'il n'est pas possible d'éjecter le disque en appuyant sur ▲, appuyez sur le commutateur RESET (voir page 6), puis appuyez à nouveau sur ▲.  
S'il s'avère toujours impossible d'éjecter le disque, consultez votre revendeur Alpine.*

### PROTECT

- Un fichier WMA protégé par les droits d'auteur a été lu.
  - Vous pouvez lire uniquement les fichiers non protégés par les droits.

### UNSUPPORTED

- Un taux d'échantillonnage/taux binaire n'est pas pris en charge par l'appareil.
  - Utilisez un taux d'échantillonnage/taux binaire pris en charge par l'appareil.

## Indications pour le changeur de CD

### HIGH-TEMP

- Le circuit de protection s'est déclenché, car la température est trop élevée.
  - L'indication disparaît quand la température revient dans la plage de fonctionnement.

### ERROR-01

- Mauvais fonctionnement du changeur CD.
  - Consultez votre revendeur Alpine. Appuyez sur la touche d'éjection du chargeur et retirez-le.  
Vérifiez l'indication. Insérez de nouveau le chargeur.  
Si vous ne pouvez pas sortir le chargeur, consultez votre revendeur Alpine.
- L'éjection du chargeur est impossible.
  - Appuyez sur la touche d'éjection du chargeur. Si le chargeur n'est pas éjecté, consultez un revendeur Alpine.

### ERROR-02

- Un disque est coincé dans le changeur CD.
  - Appuyez sur la touche d'éjection pour activer la fonction d'éjection. Quand le changeur CD finit l'éjection, insérez un chargeur de disques vide dans le changeur CD pour récupérer le disque coincé dans le changeur CD.

### NO MAGAZINE

- Le changeur CD ne contient pas de chargeur.
  - Insérez un chargeur.

### NO DISC

- Le disque sélectionné n'est pas en place.
  - Choisissez un autre disque.

## Indication relative au mode de réception par satellite

### ANTENNA

- L'antenne XM ou SIRIUS est raccordée au module radio XM ou SIRIUS.
  - Vérifiez si le câble de l'antenne XM ou SIRIUS est correctement fixé au module radio XM ou SIRIUS.

### UPDATING

- La version la plus récente du code de cryptage est en cours de mise à jour sur la radio.
  - Attendez que le code de cryptage soit mis à jour. Les stations 0 et 1 doivent fonctionner normalement.

### NO SIGNAL

(Mode XM)

### ACQUIRING

(Mode SIRIUS)

- Le signal XM ou SIRIUS est trop faible pour le lieu de réception actuel.
  - Attendez que le véhicule atteigne un endroit où le signal est plus puissant.

### LOADING

- La radio reçoit des données audio ou des informations sur les programmes.
  - Attendez que la radio ait reçu les informations.

### OFF AIR

(Mode XM)

### ACQUIRING

(Mode SIRIUS)

- La station actuellement sélectionnée a cessé sa diffusion.
  - Sélectionnez une autre station.



- L'utilisateur a sélectionné un numéro de station qui n'existe pas ou auquel il n'est pas abonné.
  - L'appareil revient à la station précédemment sélectionnée.
- Aucun nom/informations sur l'artiste, titre de morceau/programme ou informations supplémentaires ne sont associés actuellement à la station.
  - Vous ne devez rien faire.

## ERROR

- En cas d'erreur ou de problème.
  - Changez de station ou consultez votre revendeur Alpine.

## Indication relative au mode iPod

### No iPod

- L'iPod n'est pas raccordé.
  - Vérifiez si l'iPod est correctement raccordé (comme décrit à la section « Raccordements », page 40).
  - Vérifiez si la courbure du câble n'est pas excessive.

### NO SONG

- L'iPod ne comporte aucun morceau.
  - Téléchargez des morceaux sur l'iPod et raccordez-le à cet appareil.

### ERROR-01

- Erreur de communication
  - Tournez la clé de contact sur OFF, puis de nouveau sur ON.
  - Vérifiez l'affichage en rebranchant l'iPod sur cet appareil à l'aide du câble de l'iPod.

### ERROR-02

- La version du logiciel de l'iPod n'est pas compatible avec cet appareil.
  - Mettez à jour le logiciel de l'iPod vers une version compatible avec cet appareil.

## Spécifications

### SECTION TUNER FM

Plage de syntonisation	87,7-107,9 MHz
Sensibilité mono utilisable	9,3 dBf (0,8 $\mu$ V/75 ohms)
Sensibilité d'atténuation 50 dB	13,5 dBf (1,3 $\mu$ V/75 ohms)
Sélectivité de canal alternatif	80 dB
Rapport signal-bruit	65 dB
Séparation stéréo	35 dB
Taux de capture	2,0 dB

### SECTION TUNER AM

Plage de syntonisation	530-1 710 kHz
Sensibilité (norme IEC)	22,5 $\mu$ V/27 dB

### SECTION LECTEUR DE CD

Réponse en fréquence	5-20 000 Hz ( $\pm$ 1 dB)
Pleurage et scintillement (% WRMS)	Inférieur aux limites mesurables
Distorsion harmonique totale	0,008% (à 1 kHz)
Gamme dynamique	95 dB (à 1 kHz)
Rapport signal-bruit	105 dB
Séparation des canaux	85 dB (à 1 kHz)

### LENTILLE

Longueur d'onde	795 nm
Puissance du laser	CLASS I

### GÉNÉRALITÉS

Alimentation	14,4 V CC (11-16 V autorisé)
Puissance de sortie	18 W RMS $\times$ 4*
* Valeurs nominales de l'amplificateur principal selon la norme CEA-2006	
• Puissance de sortie : mesurée à 4 ohms et $\leq$ 1% DHT+N	
• S/B : 80 dBA (référence : 1 W sous 4 ohms)	
Tension sortie pré-ampli maximum	2 V/10 k ohms
Graves	$\pm$ 14/-14 dB à 100 Hz
Aigus	$\pm$ 14 dB à 10 Hz
Poids	1,5 kg (3 lbs. 4 oz)

### DIMENSIONS DU CHÂSSIS

Largeur	178 mm (7)
Hauteur	50 mm (2")
Profondeur	160 mm (6-1/4")

### DIMENSIONS DE L'AVANT

Largeur	170 mm (6-3/4")
Hauteur	46 mm (1-13/16")
Profondeur	24 mm (15/16")

- La conception et les spécifications peuvent être modifiées sans préavis en vue d'améliorer les produits.

# Installation et raccordements

Avant d'installer ou de raccorder l'appareil, lisez attentivement les précautions suivantes, ainsi que les pages 3 à 5 de ce mode d'emploi de manière à en garantir une utilisation correcte.

## Avertissement

### EFFECTUER CORRECTEMENT LES CONNEXIONS.

Il y a risque de blessures ou de dommages à l'appareil.

### À UTILISER UNIQUEMENT SUR DES VOITURES À MASSE NÉGATIVE DE 12 VOLTS.

(Vérifiez auprès de votre concessionnaire si vous n'en êtes pas certain.) Il y a risque d'incendie, etc.

### AVANT TOUTE CONNEXION, DÉBRANCHER LE CÂBLE DE LA BORNE NÉGATIVE DE LA BATTERIE.

Il y a risque de choc électrique ou de blessure par courts-circuits.

### NE PAS DÉNUDER LES CÂBLES ÉLECTRIQUES.

Ne jamais enlever la gaine isolante pour alimenter un autre appareil. Il y a risque de dépassement de la capacité de courant et, partant, d'incendie ou de choc électrique.

### NE PAS ENDOMMAGER DE CONDUITES NI DE CÂBLES LORS DU FORAGE DES TROUS.

Lors du forage de trous dans le châssis en vue de l'installation, veiller à ne pas entrer en contact, endommager ni obstruer de conduites, de tuyaux à carburant ou de fils électriques. Le non-respect de cette précaution peut entraîner un incendie.

### NE PAS UTILISER DES ECROUS NI DES BOULONS DU CIRCUIT DE FREINAGE OU DE DIRECTION POUR LES CONNEXIONS DE MASSE.

Les boulons et les écrous utilisés pour les circuits de freinage et de direction (ou de tout autre système de sécurité) ou les réservoirs ne peuvent JAMAIS être utilisés pour l'installation ou la liaison à la masse. L'utilisation de ces organes peut désactiver le système de contrôle du véhicule et causer un incendie, etc.

### GARDER LES PETITS OBJETS COMME LES PILES HORS DE PORTÉE DES ENFANTS.

L'ingestion de tels objets peut entraîner de graves blessures. En cas d'ingestion, consulter immédiatement un médecin.

### NE PAS INSTALLER À DES ENDROITS SUSCEPTIBLES D'ENTRAVER LA CONDUITE DU VÉHICULE, COMME LE VOLANT OU LE LEVIER DE VITESSES.

La vue vers l'avant pourrait être obstruée ou les mouvements gênés, etc., et provoquer un accident grave.

### NE PAS COINCER LES CÂBLES AVEC DES OBJETS VOISINS.

Positionner les câbles conformément au manuel de manière à éviter toute obstruction en cours de conduite. Les câbles qui obstruent ou dépassent à des endroits tels que le volant, le levier de changement de vitesses, la pédale de frein, etc., peuvent s'avérer extrêmement dangereux.

## Attention

### FAIRE INSTALLER LE CÂBLAGE ET L'APPAREIL PAR DES EXPERTS.

Le câblage et l'installation de cet appareil requiert des compétences techniques et de l'expérience. Pour garantir la sécurité, faire procéder à l'installation de cet appareil par le distributeur qui vous l'a vendu.

### UTILISER LES ACCESSOIRES SPÉCIFIÉS ET LES INSTALLER CORRECTEMENT.

Utiliser uniquement les accessoires spécifiés. L'utilisation d'autres composants que les composants spécifiés peut causer des dommages internes à cet appareil ou son installation risque de ne pas être effectuée correctement. Les pièces utilisées risquent de se desserrer et de provoquer des dommages ou une défaillance de l'appareil.

### FAIRE CHEMINER LE CÂBLAGE DE MANIÈRE À NE PAS LE COINCER CONTRE UNE ARÊTE MÉTALLIQUE.

Faire cheminer les câbles à l'écart des pièces mobiles (comme les rails d'un siège) et des arêtes acérées ou pointues. Cela évitera ainsi de coincer et d'endommager les câbles. Si un câble passe dans un orifice métallique, utiliser un passe-cloison en caoutchouc pour éviter que la gaine isolante du câble ne soit endommagée par le rebord métallique de l'orifice.

### NE PAS INSTALLER À DES ENDROITS TRÈS HUMIDES OU POUSSIÉREUX.

Éviter d'installer l'appareil à des endroits soumis à une forte humidité ou à de la poussière en excès. La pénétration d'humidité ou de poussière à l'intérieur de cet appareil risque de provoquer une défaillance.

## Précautions

- Veillez à débrancher le câble du pôle négatif (-) de la batterie avant d'installer le CDA-9884. Ceci réduit les risques d'endommager l'unité en cas de court-circuit.
- Veillez à raccorder les fils codes couleur selon le schéma de connexion. De mauvaises connexions peuvent entraîner un mauvais fonctionnement ou endommager le système électrique du véhicule.
- Lorsque vous raccordez les fils au système électrique de la voiture, faites attention aux composants installés en usine (par exemple, l'ordinateur de bord). N'essayez pas d'alimenter l'appareil en le raccordant aux fils de ces appareils. Lorsque vous raccordez le CDA-9884 à la boîte à fusibles, vérifiez si le fusible du circuit auquel le CDA-9884 va être raccordé possède l'ampérage adéquat, sinon l'appareil et/ou le véhicule risquent d'être endommagés. En cas de doute, consultez votre revendeur Alpine.
- Le CDA-9884 utilise des prises femelles de type RCA pour la connexion à d'autres unités (par exemple à un amplificateur) équipées de connecteurs RCA. Un adaptateur peut être nécessaire pour le connecter à d'autres unités. Si c'est le cas, contacter le revendeur agréé Alpine pour obtenir de l'assistance technique.
- S'assurer de connecter les câbles d'enceinte (-) à la borne d'enceinte (-). Ne jamais connecter les câbles d'enceinte du canal gauche et droit l'un à l'autre ou à la carrosserie du véhicule.

#### IMPORTANT

Veillez inscrire le numéro de série de votre appareil dans l'espace prévu ci-contre et conservez-le soigneusement dans vos archives. Le numéro de série ou la plaquette sur lequel il est gravé se trouve sur le dessous de l'appareil.

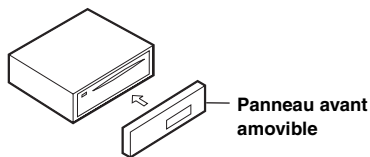
NUMÉRO DE SÉRIE : \_\_\_\_\_

DATE D'INSTALLATION : \_\_\_\_\_

INSTALLATEUR : \_\_\_\_\_

LIEU D'ACHAT : \_\_\_\_\_

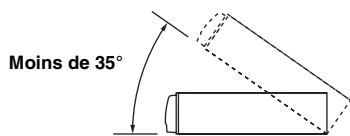
# Installation



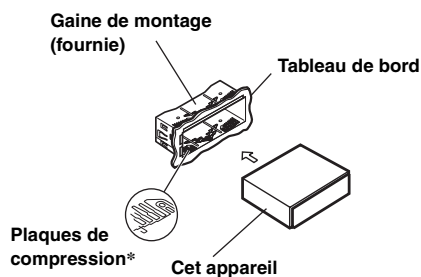
## Attention

Quand vous installez cet appareil dans votre véhicule, ne retirez pas le panneau avant amovible. Si le panneau avant amovible est retiré pendant l'installation, vous risquez d'appuyer trop fort et de plier la plaque métallique qui le maintient en place.

- L'unité principale doit être fixée à moins de 35 degrés du plan horizontal, de l'arrière vers l'avant.



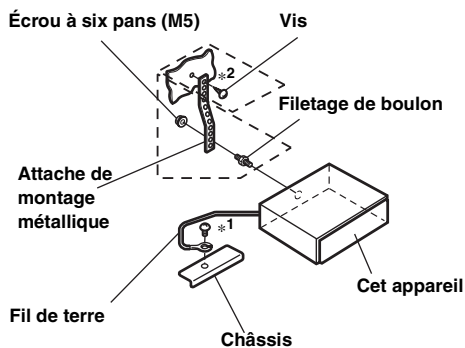
1



- \* Si la gaine de montage installée n'épouse pas bien la forme du tableau de bord, les plaques de compression peuvent être légèrement pliées pour remédier au problème.

Enlevez la gaine de montage de l'unité principale (reportez-vous à la section « Dépose », à la page 39).

2



Renforcez l'unité principale à l'aide d'une languette de fixation métallique (non fournie). Fixez le fil de terre de l'appareil à un élément métallique propre à l'aide d'une vis (\*1) déjà fixée au châssis du véhicule.

- Pour la vis désignée par le symbole « \*2 », utilisez une vis appropriée à l'emplacement de montage choisi.

Connectez chaque fil d'entrée de l'amplificateur ou de l'égaliseur au fil de sortie correspondant situé sur le côté arrière gauche du CDA-9884. Raccordez tous les autres fils du CDA-9884 selon les indications de la section RACCORDEMENTS.

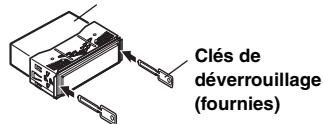
3

Insérez le CDA-9884 dans le tableau de bord jusqu'à ce qu'il émette un déclic. De cette façon, l'appareil sera convenablement fixé et il ne risquera pas de tomber accidentellement du tableau de bord.

## Dépose

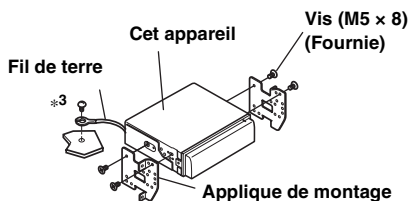
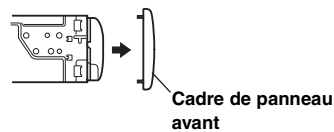
- Déposez le panneau avant amovible.
- Insérez les clés de déverrouillage, le long des glissières latérales. L'appareil peut ainsi être retiré de sa gaine de montage.

### Cet appareil



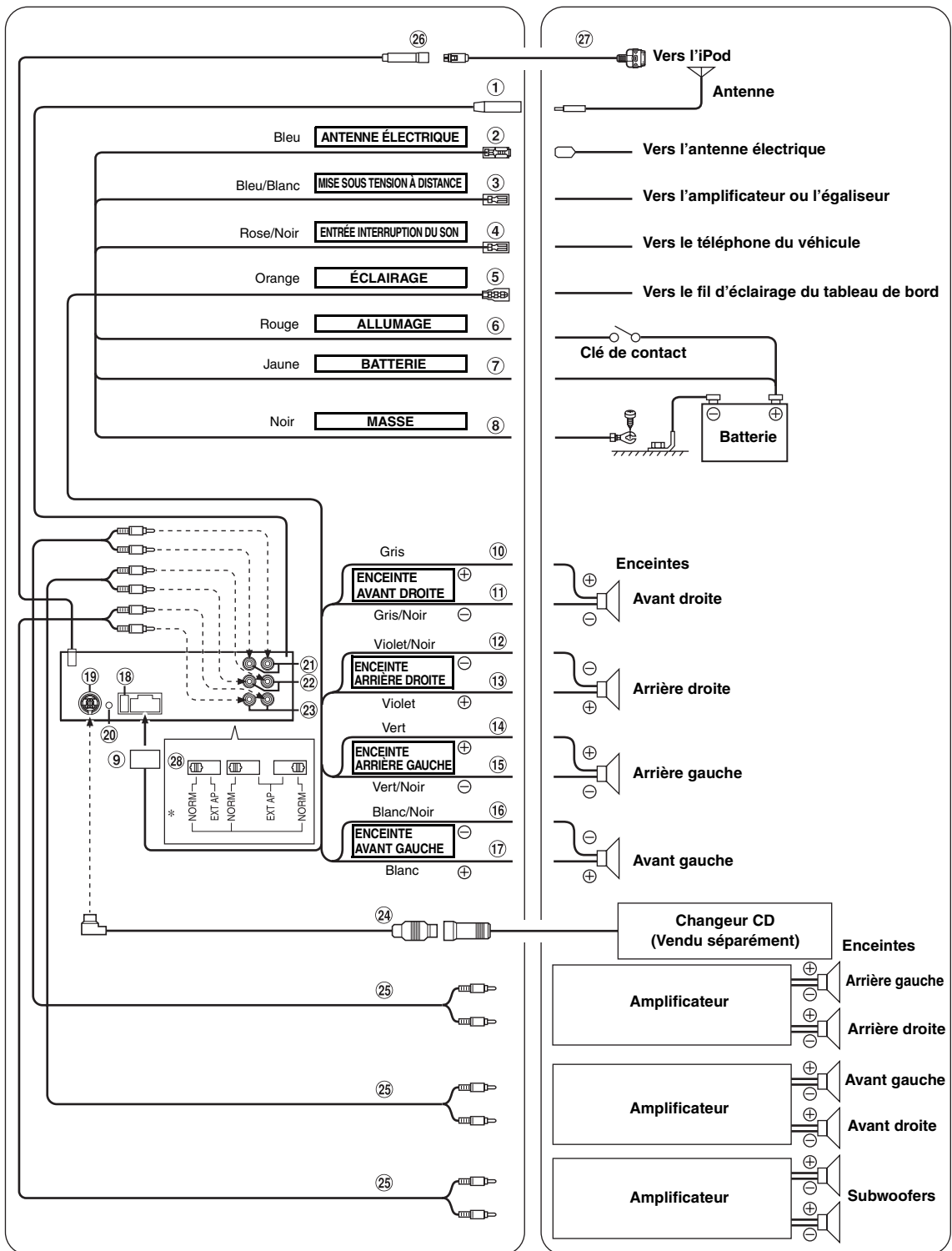
- Extrayez l'appareil, en le maintenant déverrouillé.

## <VOITURE JAPONAISE>



- Fixez le fil de terre de l'appareil à un élément métallique propre à l'aide d'une vis (\*3) déjà fixée au châssis du véhicule.

# Raccordements



\* L'étiquette est apposée au bas de l'appareil.

- ① **Prise d'antenne**
- ② **Fil d'antenne électrique (Bleu)**  
Connectez ce fil à la borne +B de l'antenne électrique éventuelle.
- *Ce fil doit uniquement être utilisé pour commander l'antenne électrique du véhicule. N'utilisez pas ce fil pour mettre sous tension un amplificateur, un processeur de signal, etc.*
- ③ **Fil de mise sous tension à distance (Bleu/Blanc)**  
Connectez ce fil au fil de mise sous tension à distance de votre amplificateur ou processeur de signal. Si un boîtier Imprint PXA-H100 (vendu séparément) est raccordé, utilisez le fil de mise sous tension à distance du PXA-H100 pour connecter votre amplificateur ou processeur de signal. Pour plus d'informations, reportez-vous au mode d'emploi du PXA-H100.
- ④ **Fil d'entrée d'interruption audio (Rose/Noir)**  
Connectez ce fil à la sortie d'interface audio d'un téléphone portable qui assure une mise à la terre quand un appel est reçu.
- ⑤ **Fil de l'éclairage (Orange)**  
Ce fil peut être raccordé au fil d'éclairage du combiné d'instruments du véhicule. Il permet d'atténuer le rétro-éclairage du CDA-9884 lorsque les feux du véhicule sont allumés.
- ⑥ **Fil d'alimentation commutée (Allumage) (Rouge)**  
Connectez ce fil à une borne ouverte sur la boîte à fusible du véhicule ou à une autre source d'énergie inutilisée qui fournit (+) 12V uniquement lorsque l'allumage est mis sous tension ou réglé sur la position accessoire.
- ⑦ **Fil de la batterie (Jaune)**  
Connectez ce fil à la borne positive (+) de la batterie du véhicule.
- ⑧ **Fil de terre (Noir)**  
Connectez ce fil à une bonne masse du châssis sur le véhicule. Assurez-vous que la connexion est établie à un métal nu et solidement fixé en utilisant une vis pour feuille métallique fournie.
- ⑨ **Connecteur d'alimentation**
- ⑩ **Fil de sortie de l'enceinte avant droite (+) (Gris)**
- ⑪ **Fil de sortie de l'enceinte avant droite (-) (Gris/Noir)**
- ⑫ **Fil de sortie de l'enceinte arrière droite (-) (Violet/Noir)**
- ⑬ **Fil de sortie de l'enceinte arrière droite (+) (Violet)**
- ⑭ **Fil de sortie de l'enceinte arrière gauche (+) (Vert)**
- ⑮ **Fil de sortie de l'enceinte arrière gauche (-) (Vert/Noir)**
- ⑯ **Fil de sortie de l'enceinte avant gauche (-) (Blanc/Noir)**
- ⑰ **Fil de sortie de l'enceinte avant gauche (+) (Blanc)**
- ⑱ **Porte-fusible (10A)**
- ⑲ **Connecteur Ai-NET**  
Raccordez-le au connecteur de sortie ou d'entrée d'un autre appareil (changeur CD, boîtier Imprint, égaliseur, MODULE TUNER HD Radio™, etc.) avec Ai-NET.
- *Il n'est pas conseillé d'utiliser l'adaptateur d'interface pour iPod® (KCA-420i) avec ce produit.*
- *Vous pouvez entrer le son TV/vidéo en raccordant un câble d'interface Ai-NET/RCA en option (KCA-121B) à cet appareil.*
- ⑳ **Connecteur de l'interface de télécommande au volant**  
Vers le boîtier d'interface de la télécommande au volant.
- ㉑ **Connecteurs RCA de sortie/d'entrée des enceintes arrière**  
Ils peuvent être utilisés comme connecteurs RCA de sortie ou d'entrée des enceintes arrière. ROUGE est droit et BLANC est gauche.
- ㉒ **Connecteurs RCA de sortie/d'entrée des enceintes avant**  
Ils peuvent être utilisés comme connecteurs RCA de sortie ou d'entrée des enceintes avant. ROUGE est droit et BLANC est gauche.
- ㉓ **Connecteurs RCA du subwoofer**  
ROUGE est droit et BLANC est gauche.
- ㉔ **Câble Ai-NET (fourni avec le changeur CD)**
- ㉕ **Câble d'extension RCA (vendu séparément)**
- ㉖ **Connecteur direct iPod**  
Contrôle les signaux de l'iPod.  
Connectez-le à un iPod ou à un boîtier Bluetooth en option. Pour utiliser un téléphone portable mains libres, vous devez vous connecter à un boîtier Bluetooth en option. Pour plus de détails sur la méthode de connexion, reportez-vous au mode d'emploi du boîtier Bluetooth. Vous pouvez également raccorder ce connecteur à un appareil externe (un lecteur portable, par exemple) à l'aide du câble d'interface iPod/RCA (vendu séparément).
- \* *Reportez-vous à la section « Réglage du mode de configuration AUX+ SETUP » (page 18).*  
AUX+ ON : Lorsqu'un appareil externe est raccordé.  
AUX+ OFF : Lorsqu'un iPod est raccordé.
- ㉗ **Câble de raccordement FULL SPEED™ (KCE-422i) (vendu séparément)**
- ㉘ **Sélecteur de système**  
Lors du raccordement d'un processeur ou d'un répartiteur à l'aide de la fonction Ai-NET, placez les trois commutateurs sur la position EXT AP. Lorsqu'aucun appareil n'est raccordé, laissez le commutateur sur la position NORM.
- *Ne réglez aucun des trois commutateurs sur une autre position.*
- *Veillez à couper l'alimentation de l'appareil avant de changer la position du commutateur.*

#### **Pour que le système audio capte les parasites externes.**

- Installez l'appareil et acheminez les câbles à au moins 10 cm de distance du faisceau de câbles de la voiture.
- éloignez les câbles d'alimentation de la batterie le plus possible des autres câbles.
- Raccordez le fil de terre à un point métallique apparent (enlevez la couche de peinture, de saleté ou de graisse si nécessaire) du châssis de la voiture.
- Si vous ajoutez un filtre antiparasites en option, raccordez-le le plus loin possible de l'appareil. Contactez votre revendeur Alpine pour plus de détails sur les divers filtres antiparasites disponibles.
- Consultez votre revendeur Alpine pour plus de détails sur les mesures de prévention contre les parasites.



## GARANTIE LIMITÉE

Fidèles à leur engagement de ne fournir que des produits de qualité, ALPINE ÉLECTRONIQUE DE L'AMÉRIQUE, INC. et ALPINE ÉLECTRONIQUE DU CANADA, INC. (Alpine) sont heureuses de vous offrir cette garantie. Nous vous suggérons de le lire attentivement et en entier. Si vous avez la moindre question, veuillez contacter l'un de nos concessionnaires ou appeler directement Alpine aux numéros listés ci-dessous.

### ● PRODUITS COUVERTS PAR LA GARANTIE

Cette garantie couvre les produits audio de voiture et les accessoires connexes ("le produit"). Elle ne couvre les produits que dans le pays où ils ont été achetés.

### ● DURÉE DE LA GARANTIE

Cette garantie est en vigueur pendant un an à partir de la date du premier achat du client.

### ● PERSONNES PROTÉGÉES PAR LA GARANTIE

Seul l'acheteur original du produit, s'il réside aux États-Unis, à Porto Rico ou au Canada, peut se prévaloir de la garantie.

### ● CE QUI EST COUVERT

Cette garantie couvre tous les défauts de matériaux et de fabrication (pièces et main d'œuvre) du produit.

### ● CE QUI N'EST PAS COUVERT

Cette garantie ne couvre pas ce qui suit:

- ① Les dommages survenus durant le transport des produits renvoyés à Alpine pour être réparés (les réclamations doivent être adressées au transporteur);
- ② Les dégâts provoqués par un accident ou une mauvaise utilisation, y compris des bobines acoustiques grillées suite à une surexcitation des enceintes (augmentation du niveau de l'amplificateur jusqu'à atteindre un effet de distorsion ou d'écrêtage), une défaillance mécanique des enceintes (perforations, déchirures ou fentes), panneaux LCD fissurés ou endommagés, disques durs endommagés ou ayant subi une chute.
- ③ Tout dégât provoqué par négligence, usage inapproprié, mauvaise utilisation ou par le non-respect des instructions indiquées dans le manuel de l'utilisateur.
- ④ Les dommages dus à la force majeure, notamment aux tremblements de terre, au feu, aux inondations, aux tempêtes ou aux autres cataclysmes naturels; Les frais ou les dépenses relatifs à l'enlèvement ou à la réinstallation du produit;
- ⑤ Les services rendus par une personne, physique ou morale non autorisée;
- ⑥ Les produits dont le numéro de série a été effacé, modifié ou retiré;
- ⑦ Les produits qui ont été adaptés ou modifiés sans le consentement d'Alpine;
- ⑧ Les produits qui ne sont pas distribués par Alpine aux États-Unis, à Porto Rico ou au Canada;
- ⑨ Les produits qui n'ont pas été achetés par l'entremise d'un concessionnaire Alpine autorisé;

### ● COMMENT SE PRÉVALOIR DE LA GARANTIE

- ① Il vous faut remettre le produit nécessitant des réparations à un center de service autorisé Alpine ou à Alpine même et en assumer les frais de transport. Alpine a le choix entre réparer le produit ou le remplacer par un produit neuf ou révisé, le tout sans frais pour vous. Si les réparations sont couvertes par la garantie et si le produit a été envoyé à un center de service Alpine ou à Alpine, le paiement des frais de réexpédition du produit incombe Alpine.

- ② Vous devez donner une description détaillée des problèmes qui sont à l'origine de votre demande de réparation.
- ③ Vous devez joindre la preuve de votre achat du produit.
- ④ Vous devez emballer soigneusement le produit pour éviter tout dommage durant son transport. Pour éviter la perte de l'envoi, il est conseillé de choisir un transporteur qui propose un service de suivi des envois.

### ● LIMITATION DES GARANTIES TACITES

LA DURÉE DE TOUTES LES GARANTIES TACITES, Y COMPRIS LA GARANTIE D'ADAPTATION À L'UTILISATION ET LA GARANTIE DE QUALITÉ LOYALE ET MARCHANDE, EST LIMITÉE À CELLE DE LA GARANTIE EXPRESSE DÉTERMINÉE CI-DESSUS. PERSONNE N'EST AUTORISÉ À ENGAGER AUTREMENT LA RESPONSABILITÉ D'ALPINE EN VERTU DE LA VENTE D'UN PRODUIT.

### ● EXCLUSIONS DE LA GARANTIE

ALPINE STIPULE EXPRESSÉMENT QU'ELLE N'EST PAS RESPONSABLE DES DOMMAGES-INTÉRÊTS ET DOMMAGES INDIRECTS PROVOQUÉS PAR LE PRODUIT. LES DOMMAGES-INTÉRÊTS SONT LES FRAIS DE TRANSPORT DU PRODUIT VERS UN CENTER DE SERVICE ALPINE, LA PERTE DE TEMPS DE L'ACHETEUR ORIGINAL, LA PERTE D'UTILISATION DU PRODUIT, LES BILLETS D'AUTOBUS, LA LOCATION DE VOITURES ET TOUTS LES AUTRES FRAIS LIÉS À LA GARDE DU PRODUIT. LES DOMMAGES INDIRECTS SONT LES FRAIS DE RÉPARATION OU DE REMPLACEMENT D'AUTRES BIENS ENDOMMAGÉS SUITE AU MAUVAIS FONCTIONNEMENT DU PRODUIT. LES RECOURS PRÉVUS PAR LES PRÉSENTES EXCLUENT ET REMPLACENT TOUTE AUTRE FORME DE RECOURS.

### ● LIEN ENTRE LA GARANTIE ET LA LOI

La garantie vous donne des droits spécifiques, mais vous pouvez aussi jouir d'autres droits, qui varient d'un état ou d'une province à l'autre. En outre, certains états et certaines provinces interdisent de limiter la durée des garanties tacites ou d'exclure les dommages accessoires ou indirects. Dans ce cas, les limites et les exclusions de la garantie peuvent ne pas s'appliquer à vous.

### ● CLAUSE APPLICABLE AU CANADA SEULEMENT

Pour que la garantie soit valable, il faut qu'un center d'installation autorisé ait installé le système audio pour l'auto dans votre véhicule et qu'il ait ensuite apposé son cachet sur la garantie.

### ● NUMÉROS D'APPEL DU SERVICE À LA CLIENTÈLE

Si vous avez besoin de nos services, veuillez appeler Alpine aux numéros ci-dessous pour le center de service autorisé Alpine le plus proche.

AUDIO DE VOITURE	1-800-ALPINE-1 (1-800-257-4631)
NAVIGATION	1-888-NAV-HELP (1-888-628-4357)

Ou visitez notre site Web à l'adresse <http://www.alpine-usa.com>

ALPINE ÉLECTRONIQUE DE L'AMÉRIQUE, INC., 19145 Gramercy Place, Torrance, California 90501, U.S.A.

ALPINE ÉLECTRONIQUE DU CANADA, INC., 777 Supertest Road, Toronto, Ontario M3J 2M9, Canada

N'envoyez aucun produit à ces adresses.

Appelez notre numéro gratuit ou visitez notre site Web si vous recherchez un center de service.





## MP3/WMA/AAC CD Receiver

# CDA-9884

**MP3**



**AAC**



- **OWNER'S MANUAL**  
Please read before using this equipment.
- **MODE D'EMPLOI**  
Veuillez lire avant d'utiliser cet appareil.
- **MANUAL DE OPERACIÓN**  
Léalo antes de utilizar este equipo.

**ALPINE ELECTRONICS MARKETING, INC.**  
1-1-8 Nishi Gotanda,  
Shinagawa-ku,  
Tokyo 141-0031, Japan  
Phone 03-5496-8231

**ALPINE ELECTRONICS OF AMERICA, INC.**  
19145 Gramercy Place, Torrance,  
California 90501, U.S.A.  
Phone 1-800-ALPINE-1 (1-800-257-4631)

**ALPINE ELECTRONICS OF CANADA, INC.**  
777 Supertest Road, Toronto,  
Ontario M3J 2M9, Canada  
Phone 1-800-ALPINE-1 (1-800-257-4631)

**ALPINE ELECTRONICS OF AUSTRALIA PTY. LTD.**  
161-165 Princes Highway, Hallam  
Victoria 3803, Australia  
Phone 03-8787-1200

**ALPINE ELECTRONICS GmbH**  
Frankfurter Ring 117, 80807 München, Germany  
Phone 089-32 42 640

**ALPINE ELECTRONICS OF U.K. LTD.**  
Alpine House  
Fletchamstead Highway, Coventry CV4 9TW, U.K.  
Phone 0870-33 33 763

**ALPINE ELECTRONICS FRANCE S.A.R.L.**  
(RCS PONTOISE B 338 101 280)  
98, Rue de la Belle Etoile, Z.I. Paris Nord II,  
B.P. 50016, 95945 Roissy Charles de Gaulle  
Cedex, France  
Phone 01-48638989

**ALPINE ITALIA S.p.A.**  
Viale C. Colombo 8, 20090 Trezzano  
Sul Naviglio (MI), Italy  
Phone 02-484781

**ALPINE ELECTRONICS DE ESPAÑA, S.A.**  
Portal de Gamarra 36, Pabellón, 32  
01013 Vitoria (Alava)-APDO 133, Spain  
Phone 945-283588

**ALPINE ELECTRONICS (BENELUX) GmbH**  
Leuvensesteenweg 510-B6,  
1930 Zaventem, Belgium  
Phone 02-725-13 15



# Índice

## Manual de instrucciones

### ADVERTENCIA

ADVERTENCIA .....	3
PRUDENCIA .....	3
PRECAUCIONES .....	3

### Primeros pasos

Lista de accesorios .....	6
Conexión y desconexión de la alimentación ....	6
Extracción y fijación del panel frontal .....	6
Puesta en funcionamiento inicial del sistema ...	6
Ajuste del volumen .....	7
Reducción rápida del volumen .....	7
Configuración de la hora .....	7

### Radio

Funcionamiento de la radio .....	7
Almacenamiento manual de emisoras .....	8
Almacenamiento automático de emisoras .....	8
Sintonía de emisoras memorizadas .....	8
Función de búsqueda de frecuencia .....	8
Recepción de una emisora multidifusión (sólo modo HD Radio) .....	8

### CD/MP3/WMA/AAC

Reproducción .....	9
Repetición de reproducción .....	9
M.I.X. (Reproducción aleatoria) .....	10
Búsqueda de texto de CD .....	10
Búsqueda de nombre de archivo/carpeta (relativo a MP3/WMA/AAC) .....	10
Búsqueda rápida .....	11
Acerca de MP3/WMA/AAC .....	11

### Ajuste de sonido

Ajuste de nivel del subwoofer/nivel de graves/ nivel de agudos/balance (entre los altavoces derechos e izquierdos)/Fader (entre los altavoces delanteros y traseros)/Defeat .....	12
Ajuste del nivel de subwoofer .....	13
Ajuste del control de graves .....	13

Ajuste de la frecuencia central de graves .....	13
Ajuste del ancho de banda de graves .....	13
Ajuste del nivel de graves .....	13
Ajuste del control de agudos .....	13
Ajuste de la frecuencia central de agudos ....	13
Ajuste del nivel de agudos .....	13
Ajuste del filtro de paso alto .....	14
Activación/desactivación de sonoridad .....	14
ON/OFF del subwoofer .....	14
Ajuste del sistema de subwoofer .....	14

### Otras funciones

Visualización de texto .....	15
Visualización de la hora .....	16

### SETUP

#### BLUETOOTH IN

Ajuste de la conexión Bluetooth .....	17
---------------------------------------	----

#### Personalización visual

Cambio del color de iluminación .....	17
Ajuste del contraste de la pantalla .....	17
Control de atenuación .....	17
Ajuste de tipo de desplazamiento .....	17
Ajuste de desplazamiento (TEXT SCROLL) .....	17
Ajuste de fuentes de idioma .....	17
Demostración .....	17

#### MP3/WMA/AAC

Reproducción de datos MP3/WMA/AAC (PLAY MODE) .....	17
--	----

#### Dispositivo externo

Conexión a un amplificador externo .....	17
Activación/desactivación del modo de silenciamiento (INT MUTE) .....	18
Ajuste del modo AUX+ SETUP .....	18
Ajuste AUX+ Level (AUX IN GAIN) .....	18
Ajuste de la entrada digital externa .....	18
Ajuste del modo AUX (V-Link) .....	18
Ajuste del nombre del cambiador .....	18

#### HD Radio (sólo cuando está conectada HD Radio)

Ajuste de llamada de emisoras de HD Radio (STATION CALL) .....	18
Ajuste de ON/OFF de búsqueda digital .....	18

### Receptor de radio SAT (opcional)

Recepción de canales con el receptor de SAT Radio (opcional) .....	19
---	----

Comprobación del Número de ID de SAT Radio .....	19
Almacenamiento de valores predeterminados de canales .....	19
Recepción de canales almacenados .....	20
Almacenamiento del Equipo deportivo que desee (sólo SIRIUS) .....	20
Almacenamiento mientras recibe una difusión de un partido .....	20
Configuración de alerta de partido .....	20
Almacenamiento de la Canción/artista que desee (sólo SIRIUS) .....	20
Recuperación de la información almacenada (sólo SIRIUS) .....	21
Si se han encontrado más de 2 Alertas (indicador de ALERTA parpadeando).....	21
Cancelación de la Memoria de alertas almacenadas (sólo SIRIUS) .....	21
Función de búsqueda .....	21
Modo de búsqueda por categoría .....	21
Modo de búsqueda por Canal/Artista/Canción .....	21
Función de búsqueda rápida .....	21
Recepción de información acerca de la previsión meteorológica o tráfico desde SAT Radio ...	21
Función de repetición instantánea (sólo SIRIUS) .....	22
Cambio de la visualización .....	22
Ajuste de la pantalla de campo de datos auxiliar (sólo XM) .....	22

## iPod® (Opcional)

Reproducción .....	23
Búsqueda de la canción deseada .....	23
Búsqueda rápida .....	24
Función de búsqueda directa .....	24
Selección de Lista de reproducción/Artista/Álbum/Género/Compositor .....	24
Reproducción aleatoria (M.I.X.) .....	25
Repetición de reproducción .....	25
Visualización de texto .....	25

## Funcionamiento de IMPRINT (opcional)

Cambio del modo MultEQ .....	26
Ajuste del nivel de subwoofer/nivel de graves/nivel de agudos/fader (entre los altavoces delanteros y traseros)/balance (entre los altavoces derechos e izquierdos) en el modo MultEQ .....	26
Configuración del ajuste de sonido en modo Manual .....	27

ON/OFF del subwoofer .....	27
Ajuste del sistema de subwoofer .....	27
Ajuste de la fase del subwoofer .....	27
Ajuste del canal de subwoofer (SUBW CHANNEL).....	27
Preajustes del ecualizador (FACTORY'S EQ).....	27
Ajuste de la inclinación de respuesta del altavoz de gama alta (TW SETUP).....	27
Ajuste del tipo de filtro .....	28
ON/OFF de Media Xpander .....	28
Ajuste del nivel MX.....	28
Ajuste del modo EQ.....	28
Ajuste de las unidades de corrección de tiempo (T.CORR PARA) .....	28
Ajuste de campo de sonido (SOUND ADJUST).....	28
Ajuste de la curva del ecualizador paramétrico .....	28
Ajuste de la curva del ecualizador gráfico .....	29
Ajuste de la corrección de tiempo .....	29
Ajuste de crossover .....	29
Almacenamiento de la configuración de ajuste de campo de sonido .....	30
Recuperación de la configuración de ajuste de campo de sonido .....	30
Acerca de la corrección de tiempo .....	31
Acerca del crossover .....	32
Acerca de IMPRINT .....	33

## Cambiador (Opcional)

Control de un cambiador de discos compactos (opcional) .....	34
Reproducción de archivos MP3 con el cambiador de CD (opcional) .....	34
Selección de cambiador múltiple (opcional) ...	34

## Información

En caso de dificultad .....	35
Especificaciones .....	37

## Instalación y conexiones

<b>Advertencia</b> .....	<b>38</b>
<b>Prudencia</b> .....	<b>38</b>
<b>Precauciones</b> .....	<b>38</b>
Instalación .....	39
Conexiones .....	40

# Manual de instrucciones

## ADVERTENCIA

### ADVERTENCIA

Este símbolo indica que las instrucciones son importantes. De no tenerse en cuenta, podría ocasionarse heridas graves o muerte.

### **NO REALICE NINGUNA OPERACIÓN QUE PUEDA DISTRAER SU ATENCIÓN Y COMPROMETER LA SEGURIDAD DURANTE LA CONDUCCIÓN DEL VEHÍCULO.**

Las operaciones que requieren su atención durante más tiempo sólo deben realizarse después de detener completamente el vehículo. Estacione el vehículo en un lugar seguro antes de realizar dichas operaciones. De lo contrario, podría ocasionar un accidente.

### **MANTENGA EL VOLUMEN A UN NIVEL QUE NO LE IMPIDA ESCUCHAR LOS SONIDOS DEL EXTERIOR MIENTRAS CONDUCE.**

Los niveles de volumen demasiado altos que reducen la percepción de otros sonidos como las sirenas de emergencia o posibles señales acústicas de advertencia en carretera (cruces de trenes, etc.) podrían ser peligrosos y provocar un accidente. LOS NIVELES DE VOLUMEN ALTOS EN EL VEHÍCULO TAMBIÉN PUEDEN DAÑAR EL SISTEMA AUDITIVO DE LOS PASAJEROS.

### **REDUZCA AL MÁXIMO LA VISUALIZACIÓN DE LA PANTALLA MIENTRAS CONDUCE.**

El conductor puede distraer su atención de la carretera mientras mira la pantalla y ocasionar un accidente.

### **NO DESMONTE NI ALTERE LA UNIDAD.**

Si lo hace, podrá ocasionar un accidente, un incendio o una descarga eléctrica.

### **UTILICE LA UNIDAD SOLAMENTE EN VEHÍCULOS QUE TENGAN 12 VOLTIOS CON NEGATIVO A MASA.**

(Consulte a su distribuidor en caso de duda.) De no ser así, podría ocasionar un incendio, etc.

### **MANTENGA LOS OBJETOS PEQUEÑOS, COMO LAS PILAS, FUERA DEL ALCANCE DE LOS NIÑOS.**

La ingestión de estos objetos puede provocar lesiones graves. Si esto ocurre, consulte con un médico inmediatamente.

### **UTILICE EL AMPERAJE CORRECTO CUANDO CAMBIE FUSIBLES.**

De lo contrario, puede producirse un incendio o una descarga eléctrica.

### **NO OBSTRUYA LOS ORIFICIOS DE VENTILACIÓN O LOS PANELES DEL RADIADOR.**

Si los bloquea, el calor podría acumularse en el interior y producir un incendio.

### **UTILICE ESTE PRODUCTO CON APLICACIONES MÓVILES DE 12 V.**

Si se emplea para otra aplicación distinta de la prevista, podría producirse un incendio, una descarga eléctrica u otras lesiones.

### **NO INTRODUZCA LAS MANOS, LOS DEDOS NI OTROS OBJETOS EXTRAÑOS EN LAS RANURAS DE INSERCIÓN O EN LAS ABERTURAS.**

Si lo hiciera, podría sufrir heridas u ocasionar daños al equipo.

### PRUDENCIA

Este símbolo indica que las instrucciones son importantes. De no tenerse en cuenta, podría ocasionarse heridas graves o daños materiales.

### **DEJE DE USAR LA UNIDAD INMEDIATAMENTE SI APARECE ALGÚN PROBLEMA.**

Su uso en estas condiciones podría ocasionar lesiones personales o daños al producto. Lleve la unidad a un distribuidor Alpine autorizado o al Centro de servicio Alpine más próximo para repararla.

### PRECAUCIONES

#### **Limpieza del producto**

Limpie el producto periódicamente con un paño suave y seco. Para limpiar las manchas más difíciles, humedezca el paño únicamente con agua. Cualquier otro líquido puede disolver la pintura o deteriorar el plástico.

#### **Temperatura**

Cerciórese de que la temperatura del interior de vehículo esté entre +60 °C y -10 °C antes de conectar la alimentación de la unidad.

#### **Condensación de humedad**

Usted puede oír fluctuaciones en el sonido de reproducción de un disco compacto debido a la condensación de humedad. Cuando suceda esto, extraiga el disco del reproductor y espere aproximadamente una hora hasta que se evapore la humedad.

#### **Disco dañado**

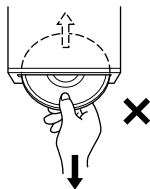
No intente reproducir discos rayados, deformados o dañados. La reproducción de un disco en malas condiciones podría dañar el mecanismo de reproducción.

#### **Mantenimiento**

Si tiene problemas, no intente reparar la unidad por sí mismo. Devuélvala a su proveedor Alpine o a la estación de servicio Alpine más cercana para que se la reparen.

## No intente realizar nunca lo siguiente

No tire del disco ni lo sujete mientras esté insertándose en el reproductor mediante el mecanismo de carga automática. No intente insertar un disco en el reproductor mientras la alimentación del mismo esté desconectada.

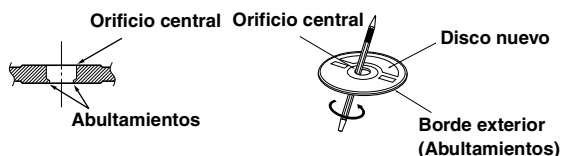


## Inserción de los discos

El reproductor solamente aceptará un disco cada vez para su reproducción. No intente cargar más de un disco. Cerciñese de que la cara de la etiqueta esté hacia arriba cuando inserte el disco. Si inserta un disco incorrectamente, el reproductor mostrará "ERROR". Si "ERROR" continúa mostrándose aún después de insertar el disco correctamente, presione el interruptor RESET con un objeto puntiagudo, como un bolígrafo. Si se reproduce un disco al conducir por una carretera muy accidentada pueden producirse saltos del sonido, aunque el disco no se rayará ni se dañará el reproductor.

## Discos nuevos

Para evitar el atasco del CD, aparece "ERROR" si se insertan discos con superficies irregulares o no se insertan correctamente. Cuando se expulsa un disco nuevo inmediatamente después de la carga inicial, utilice un dedo para comprobar los bordes del orificio central y de la periferia. Si nota abultamientos o irregularidades, es posible que el disco no pueda cargarse apropiadamente. Para eliminar los abultamientos, frote el borde interior del orificio central y de la periferia con un bolígrafo u otro objeto similar, y después inserte de nuevo el disco.



## Discos de forma irregular

Asegúrese de utilizar solamente discos de forma redonda en esta unidad y nunca utilice ningún otro disco de forma especial. El uso de discos de forma especial podría causar daños al mecanismo.



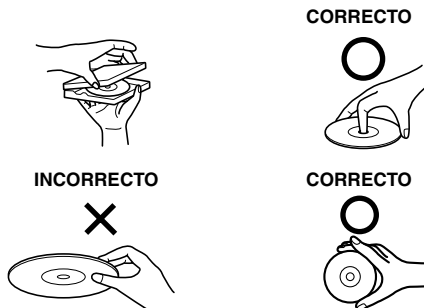
## Ubicación de instalación

Asegúrese de que esta unidad no se instala en una ubicación sujeta a:

- La luz solar directa ni el calor
- Elevada humedad y agua
- Polvo excesivo
- Vibraciones excesivas

## Manejo correcto

No deje caer los discos mientras los manipule. Sujete los discos de forma que no queden huellas dactilares en su superficie. No pegue cintas, papeles ni etiquetas adhesivas en los discos. No escriba sobre los discos.



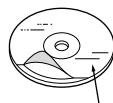
## Limpieza de los discos

Las huellas dactilares, el polvo o la suciedad de la superficie de los discos podría hacer que el reproductor saltase las pistas. Para la limpieza rutinaria, frote la superficie de reproducción con un paño suave y limpio del centro hacia los bordes. Si la superficie está muy manchada, humedezca un paño suave y limpio en una solución de detergente neutro y frote el disco.

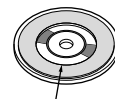


## Accesorios para discos

Existen varios accesorios disponibles en el mercado para proteger la superficie de los discos y mejorar la calidad acústica. Sin embargo, la mayoría de accesorios influirán en el grosor y/o el diámetro de dichos discos. La utilización de tales accesorios podría cambiar las especificaciones estándar de los discos y provocar problemas de funcionamiento. No se recomienda utilizar estos accesorios al reproducir discos en reproductores de discos compactos Alpine.



Hoja transparente



Estabilizador del disco

---

## Manejo de discos compactos (CD/CD-R/CD-RW)

- No toque la superficie.
- No exponga el disco a la luz solar directa.
- No pegue etiquetas ni adhesivos.
- Limpie el disco cuando tenga polvo.
- Asegúrese de que no existen abultamientos en los bordes del disco.
- No utilice accesorios para discos disponibles en el mercado.

**No deje el disco en el automóvil o en la unidad durante mucho tiempo. No exponga nunca el disco a la luz solar directa.** El calor y la humedad pueden dañar el CD y puede que no sea posible reproducirlo de nuevo.

## Para clientes que utilizan CD-R/CD-RW

- Si no se puede reproducir un CD-R/CD-RW, asegúrese de que se cerró (finalizó) la última sesión de grabación.
- Finalice el CD-R/CD-RW si es necesario y vuelva a intentar reproducirlo.

---

## Acerca de los soportes que se pueden reproducir

Utilice únicamente discos compactos cuya cara de la etiqueta muestre debajo las marcas del logotipo del CD.



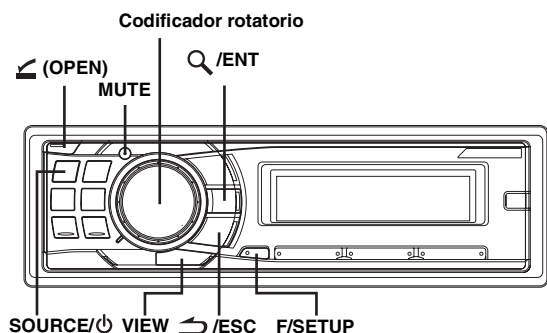
Si utiliza discos compactos sin especificar, no es posible garantizar un funcionamiento correcto.

Puede reproducir discos CD-R (CD-Recordable) y CD-RW (CD-ReWritable) que se hayan grabado únicamente en dispositivos de audio. También es posible reproducir discos CD-R/CD-RW que contengan archivos de audio de formato MP3/WMA/AAC.

- Algunos de los siguientes discos pueden no reproducirse en esta unidad:  
CD defectuosos, CD con huellas dactilares, CD expuestos a la luz del sol o a temperaturas extremas (por ejemplo, discos que se hayan dejado dentro del coche o dentro de la unidad), CD grabados en condiciones inestables, CD con errores de grabación o en los que se haya intentado regrabar, CD protegidos contra copia que no se ajusten a los estándares de CD audio.
- Utilice discos con archivos MP3/WMA/AAC cuyo formato sea compatible con esta unidad. Para obtener información más detallada, consulte las páginas 11-12.
- Los datos de sólo lectura presentes en un disco que no sean archivos de audio no producirán sonido al ser reproducidos.

- *Windows Media y el logotipo de Windows son marcas comerciales o marcas registradas de Microsoft Corporation en los Estados Unidos de América y/u otros países.*
- *iPod es un marca comercial de Apple Inc., registrada en Estados Unidos y en otros países.*
- *“Tecnología de codificación de audio MPEG Layer-3 con licencia de Fraunhofer IIS y Thomson.”*
- *“El suministro de este producto sólo cubre la licencia para uso privado y no comercial, y no implica una licencia ni ningún derecho de uso de este producto en ninguna difusión comercial (es decir, que genere ingresos) en tiempo real (terrestre, por satélite, por cable y/u otros medios), la difusión/reproducción mediante Internet, intranets y/u otras redes o mediante otros sistemas de distribución de contenido electrónico, como aplicaciones de audio de pago o a petición. Es necesaria una licencia independiente para dicho uso. Para obtener más información, visite <http://www.mp3licensing.com>”*
- *Fabricado bajo licencia de Audyssey Laboratories MultEQ XT es una marca comercial de Audyssey Laboratories.*

# Primeros pasos



## Lista de accesorios

- Unidad principal.....1
- Cable de alimentación.....1
- Funda de montaje.....1
- Maletín de transporte.....1
- Llave de soporte.....2
- Tornillo (M5 x 8).....4
- Manual del propietario..... 1 copia

## Conexión y desconexión de la alimentación

Pulse **SOURCE/⏻** para encender la unidad.

- La unidad puede encenderse pulsando cualquier otro botón excepto **(OPEN)** y **VIEW**.

Mantenga pulsado **SOURCE/⏻** durante, al menos, 2 segundos para apagar la unidad.

- La primera vez que se activa la alimentación, el volumen comienza desde el nivel 12.

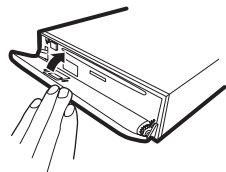
## Extracción y fijación del panel frontal

### Extracción

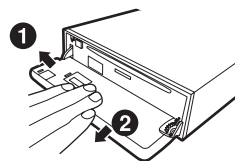
- 1 Desconecte la fuente de alimentación de la unidad.
- 2 Pulse **(OPEN)** para abrir el panel frontal.



Para cerrar el panel frontal, presione la parte izquierda hasta que se bloquee tal y como se muestra en el siguiente dibujo.



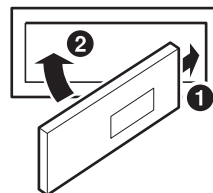
- 3 Sujete el panel frontal firmemente, deslícelo hacia la izquierda **1** y, a continuación, tire de **2** para extraerlo.



- El panel frontal puede que se caliente durante el uso normal (especialmente los terminales del conector del panel frontal.) Este comportamiento no es síntoma de un error.
- Para proteger el panel frontal, méntalo en la caja de transporte suministrada.
- Cuando extraiga el panel frontal, no lo fuerce, ya que podría provocar un mal funcionamiento.
- No deje el panel frontal abierto ni conduzca con el panel abierto, ya que podría provocar un accidente o un mal funcionamiento.

### Fijación

- 1 Inserte la parte derecha del panel frontal en la unidad principal. Alinee la ranura del panel frontal con los salientes de la unidad principal.
- 2 Empuje la parte izquierda del panel frontal hasta que quede firmemente fijada en la unidad principal.

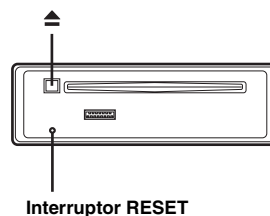


- Antes de fijar el panel frontal, cerciñese de que no haya suciedad ni polvo en los terminales del conector y de que no existan objetos extraños entre el panel frontal y la unidad principal.
- Fije el panel frontal con cuidado, sujetándolo por los lados para evitar pulsar cualquier botón por equivocación.

## Puesta en funcionamiento inicial del sistema

Asegúrese de presionar el interruptor RESET cuando utilice la unidad por primera vez, después de cambiar la batería del coche, etc.

- 1 Desconecte la fuente de alimentación de la unidad.
- 2 Pulse **(OPEN)** para abrir el panel frontal y, a continuación, extráigalo.
- 3 Pulse **RESET** con un bolígrafo u otro objeto puntiagudo.





## Ajuste del volumen

Gire el **codificador rotatorio** hasta obtener el sonido deseado.

## Reducción rápida del volumen

Si activa la función de silenciamiento del audio, el nivel del volumen se reducirá de forma instantánea en 20 dB.

Pulse **MUTE** para activar el modo MUTE.

El nivel del audio se reducirá en unos 20 dB.

Si vuelve a pulsar **MUTE**, el audio volverá a su nivel anterior.

## Configuración de la hora

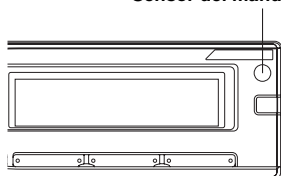
- 1 Mantenga pulsado **F/SETUP** durante al menos 2 segundos para activar el modo de selección **SETUP**.
- 2 Gire el **codificador rotatorio** para seleccionar **CLOCK ADJUST** y, a continuación, pulse **Q/ENT**.
- 3 Gire el **codificador rotatorio** para ajustar la hora.
- 4 Pulse **Q/ENT**.
- 5 Repita los pasos 3 y 4 descritos anteriormente para ajustar los minutos.
- 6 Si mantiene pulsado **F/SETUP** durante al menos 2 segundos, volverá al modo normal.

- Pulse **↵ /ESC** para regresar al modo **SETUP** anterior.
- Si no se ha realizado ninguna operación durante 60 segundos, se cancelará **SETUP**.
- Para sincronizar el reloj con otro reloj o aviso horario de la radio, mantenga pulsado **Q/ENT** durante al menos 2 segundos después de ajustar la "hora." Los minutos se restablecerán a 00. Si la pantalla muestra un número de minutos superior a "30" cuando lo haga, el reloj avanzará una hora.

### Controlable con mando a distancia

Esta unidad puede controlarse con un mando a distancia Alpine opcional. Para más detalles, consulte a su distribuidor Alpine. Apunte el transmisor del mando a distancia opcional hacia el sensor del mismo.

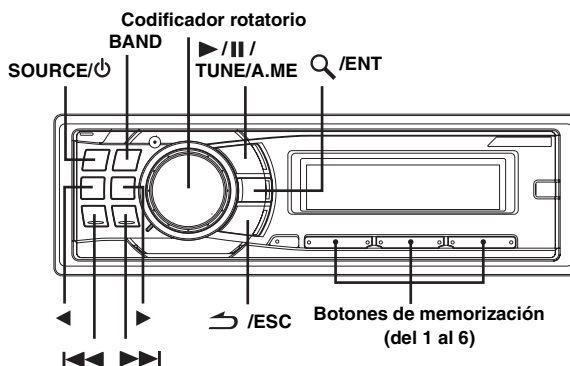
Sensor del mando a distancia



### Se puede conectar a la caja de interconexión del mando a distancia

Esta unidad se puede controlar con los controles de audio del vehículo. También se puede utilizar una caja de interconexión de mando a distancia Alpine opcional. Para más detalles, consulte a su distribuidor Alpine.

## Radio



Esta unidad no puede recibir señales HD Radio™ (radio terrestre digital). Para activar las funciones de radio digitales que se han indicado anteriormente, debe conectarse un módulo sintonizador de HD Radio opcional a través del conector Ai-NET.

HD Radio™ Technology fabricado bajo licencia de iBiquity Digital Corporation. iBiquity Digital, HD Radio y símbolos HD son marcas comerciales de iBiquity Digital Corporation. U.S. y Foreign Patents.

## Funcionamiento de la radio

- 1 Pulse **SOURCE/⏻** para seleccionar el modo **TUNER**.
  - 2 Pulse repetidamente **BAND** hasta que se visualice la banda deseada.  
F1 (FM1) → F2 (FM2) → AM → F1 (FM1)
  - 3 Pulse **TUNE/A.ME** para seleccionar el modo de **sintonización**.  
DX SEEK (modo distancia) → SEEK (modo local) → OFF (modo manual) → DX SEEK (modo distancia)
- El modo inicial es modo distancia.

### Modo distancia:

Se sintonizarán automáticamente las emisoras de señal intensa y débil (Sintonización con búsqueda automática).

### Modo local:

Sólo se sintonizarán automáticamente las emisoras de señal intensa (Sintonización con búsqueda automática).

### Modo manual:

La frecuencia se sintoniza de forma manual en varios pasos (Sintonización manual).

- 4 Pulse **◀◀** o **▶▶** para sintonizar la emisora deseada.  
Si mantiene pulsado **◀◀** o **▶▶**, la frecuencia cambiará continuamente.
- Si la Búsqueda digital está ajustada en ON, las funciones **SEEK UP/ DOWN** sólo se detienen en frecuencias de emisoras digitales mientras reciben HD radio. Consulte "Ajuste de ON/OFF de búsqueda digital" (página 18).

## Almacenamiento manual de emisoras

- 1 **Seleccione la banda y sintonice la emisora que desee almacenar en la memoria.**
- 2 **Mantenga pulsado, durante al menos 2 segundos, uno de los botones de memorización (del 1 al 6) en el que desee almacenar la emisora.**  
La emisora seleccionada se guarda.  
El visualizador mostrará la banda, el número de memorización y la emisora almacenada.

- *Es posible memorizar hasta un total de 18 emisoras en los números de memorización (6 emisoras por cada banda; FM1, FM2 y AM).*
- *Si almacena una emisora en un número de memorización que ya contiene otra emisora, la emisora anterior será reemplazada por la nueva.*

## Almacenamiento automático de emisoras

- 1 **Pulse repetidamente BAND hasta que se visualice la banda deseada.**
- 2 **Mantenga pulsado TUNE/A.ME durante, al menos, 2 segundos.**  
La frecuencia de la pantalla continúa cambiando con la memoria automática en curso. El sintonizador buscará y almacenará automáticamente 6 emisoras de señal intensa en la banda seleccionada. Se almacenarán en los botones de memorización del 1 al 6 según el orden de intensidad de la señal.  
Cuando finalice el almacenamiento automático, el sintonizador volverá a la emisora almacenada en la ubicación de memorización 1.

- *Si no hay emisoras almacenadas, el sintonizador volverá a la emisora original que estaba escuchando antes de iniciar el procedimiento de almacenamiento automático.*

## Sintonía de emisoras memorizadas

- 1 **Pulse repetidamente BAND hasta que se visualice la banda deseada.**
- 2 **Pulse cualquiera de los botones de memorización (del 1 al 6) que contenga en memoria la emisora de radio que desea.**  
El visualizador mostrará la banda, el número de presintonías y la frecuencia de la emisora seleccionada.

## Función de búsqueda de frecuencia

Puede buscar una emisora de radio por su frecuencia.

- 1 **Mantenga pulsado Q/ENT durante al menos 2 segundos en modo Radio para activar el modo de búsqueda de frecuencia.**
- 2 **Gire el codificador rotatorio para seleccionar la frecuencia que desee.**
- 3\* **Pulse Q/ENT para recibir la frecuencia seleccionada.**

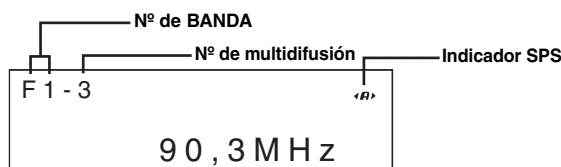
\* *No es necesario ningún tipo de operación durante la recepción de HD Radio.*

- *Mantenga pulsado ↵/ESC durante al menos 2 segundos en el modo búsqueda para cancelarlo. El modo de búsqueda también se cancela cuando no se ha realizado ninguna operación durante 10 segundos.*

## Recepción de una emisora multidifusión (sólo modo HD Radio)

La multidifusión es la posibilidad de emitir varias reproducciones de programas en una única frecuencia FM. Esto aumenta la cantidad y variedad de opciones de contenido. Pueden seleccionarse un máximo de ocho canales de emisoras multidifusión en esta unidad.

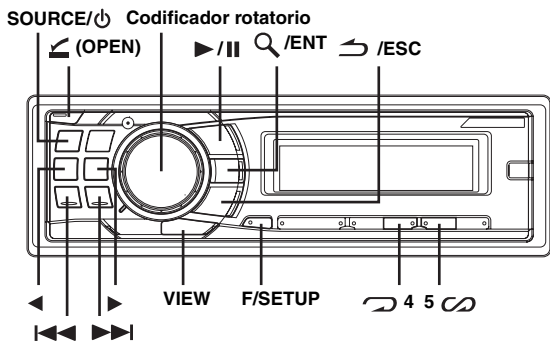
**Cuando se recibe una emisora multidifusión, el número del programa y el indicador SPS se encienden. Pulse ◀ o ▶ para seleccionar el servicio de programa que desee.**  
Recepción del servicio de programas de emisoras multidifusión



Ejemplo de servicio de programa:

Emisora de radio multidifusión	Nº de programa	Servicio de programa
90,3 MHz	Nº 1	MPS: Servicio de programa principal
90,3 MHz	Nº 2	SPS: Servicio de subprograma
90,3 MHz	Nº 3	SPS: Servicio de subprograma
90,3 MHz	Nº 8	SPS: Servicio de subprograma

# CD/MP3/WMA/AAC



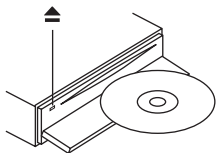
## Reproducción

### 1 Pulse ◀ (OPEN).

Se abrirá el panel frontal.

### 2 Inserte un disco con la etiqueta hacia arriba.

El reproductor introducirá automáticamente el disco dentro de la unidad.



Cierre manualmente el panel frontal y se encenderá el indicador "DISC IN".

Si ya hay un disco insertado, pulse SOURCE/⏻ para cambiar al modo DISC.

TUNER → XM RADIO/SIRIUS\*<sup>1</sup> → DISC → iPod\*<sup>2</sup>/AUX+\*<sup>3</sup> → BT AUDIO\*<sup>4</sup> → CHANGER\*<sup>5</sup> → TUNER

\*<sup>1</sup> Sólo cuando se conecta XM Radio o SIRIUS Radio.

\*<sup>2</sup> Se muestra sólo si el iPod está conectado y AUX+ SETUP está en OFF, consulte "Ajuste del modo AUX+ SETUP" (página 18).

\*<sup>3</sup> Se muestra sólo si AUX+ SETUP está ON, consulte "Ajuste del modo AUX+ SETUP" (página 18).

\*<sup>4</sup> Se muestra sólo si BLUETOOTH IN está ajustado en ADAPTE, consulte "Ajuste de la conexión Bluetooth" (página 17).

\*<sup>5</sup> Sólo cuando el cambiador de CD está conectado.

### 3 Cuando esté reproduciendo MP3/WMA/AAC, pulse ◀ o ▶ para seleccionar la carpeta que desee.

Manteniendo pulsado ◀ o ▶ se cambiarán las carpetas de forma continua.

### 4 Pulse ◀◀ o ▶▶ para seleccionar la pista (o archivo) deseado.

Para volver al principio de la pista (o archivo) actual:

Pulse ◀◀.

**Retroceso rápido:**

Mantenga pulsado ◀◀.

Para avanzar hasta el principio de la pista (o archivo) siguiente:

Pulse ▶▶.

**Avance rápido:**

Mantenga pulsado ▶▶.

### 5 Para hacer una pausa en la reproducción, pulse ▶/||.

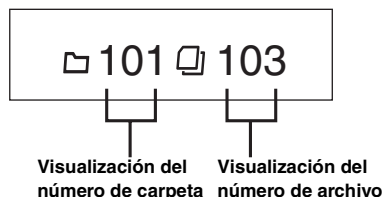
Si vuelve a pulsar ▶/|| volverá a activarse la reproducción.

### 6 Una vez pulsado ◀ (OPEN) para abrir el panel frontal, pulse ▲ para expulsar el disco.

- No extraiga un CD durante el proceso de expulsión. No cargue más de un disco a la vez. Cualquiera de estas operaciones puede provocar un mal funcionamiento.
- Si el CD no se expulsa, mantenga presionado ▲ durante al menos 2 segundos.
- El indicador "DISC IN" se enciende cuando se introduce un disco.
- El reproductor de CD puede reproducir discos con datos de audio, MP3, WMA y AAC.
- Aparece "MP3" durante la reproducción de MP3.
- Aparece "WMA" durante la reproducción de WMA.
- Aparece "AAC" durante la reproducción de AAC.
- Los archivos con formato WMA protegidos mediante DRM (Digital Rights Management), archivos con formato AAC que han adquirido de iTunes Music Store y no se pueden reproducir archivos con protección contra copias (protección copyright).
- El visualizador de pistas en la reproducción de datos MP3/WMA/AAC muestra el número de archivos grabados en el disco.
- El tiempo de reproducción puede no mostrarse correctamente cuando se reproduce un archivo grabado en VBR (velocidad variable de bits).

### Visualización de reproducción de MP3/WMA/AAC

El número de carpeta y el de archivo se mostrarán como se describe a continuación.



- Pulse VIEW para cambiar la visualización. Consulte "Visualización de texto" (página 15) para obtener información acerca del cambio de visualización.

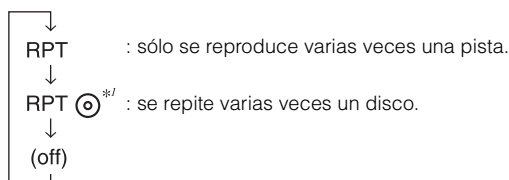
## Repetición de reproducción

### Pulse ↶ 4 para reproducir de forma repetida la pista que esté reproduciéndose.

La pista (o el archivo) se reproducirá de forma repetida.

Pulse ↶ 4 de nuevo y seleccione OFF para desactivar el modo de repetición.

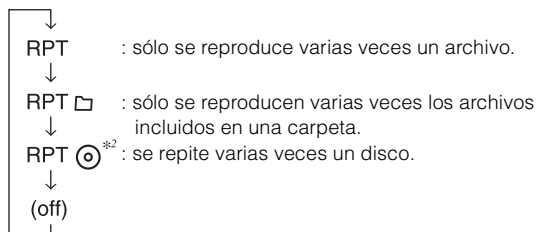
Modo de disco compacto (CD):



\*<sup>1</sup> Si se ha conectado un cambiador de CD.

- Si se ajusta el modo RPT en la posición ON durante la reproducción M.I.X. en el modo de cambiador de CD, ésta sólo afectará al disco actual.

## Modo MP3/WMA/AAC:



<sup>\*2</sup> Si se ha conectado un cambiador de CD compatible con MP3.

- Si se ha conectado un cambiador de CD o un cambiador compatible con MP3:  
Tras pulsar **F/SETUP** para seleccionar el modo de función (RPT/M.I.X.), realice esta operación antes de que pasen 10 segundos.

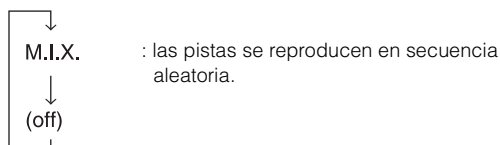
## M.I.X. (Reproducción aleatoria)

### Pulse **5** en el modo de reproducción o pausa.

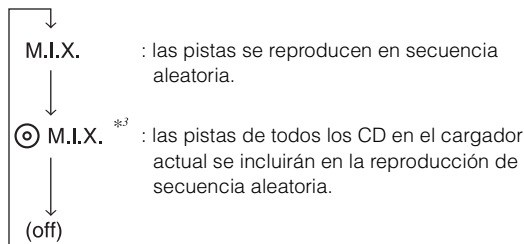
Las pistas (o archivos) del disco se reproducirán en secuencia aleatoria.

Para cancelar la reproducción M.I.X., pulse **5** de nuevo.

### Modo de disco compacto (CD) interno:



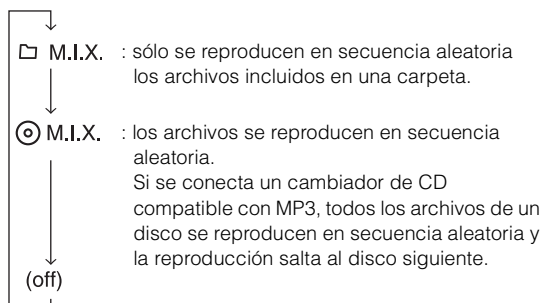
### Modo de cambiador de discos compactos:



<sup>\*3</sup> Si está conectado un cambiador de CD equipado con la función ALL M.I.X.

- Si se ajusta el modo M.I.X. en la posición ON durante la reproducción RPT (REPEAT ALL) en el modo de cambiador de CD, ésta sólo afectará al disco actual.

## Modo MP3/WMA/AAC:



- Si se ha conectado un cambiador de CD o un cambiador compatible con MP3:  
Tras pulsar **F/SETUP** para seleccionar el modo de función (RPT/M.I.X.), realice esta operación antes de que pasen 10 segundos.

## Búsqueda de texto de CD

En los discos que utilicen texto de CD, se pueden buscar y reproducir canciones por sus títulos grabados. En los discos sin texto de CD, las búsquedas se realizan por el número de pista asociado a cada canción.

- 1 Pulse /ENT durante la reproducción.**  
De esta forma, se activará el modo de búsqueda.
  - 2 Gire el codificador rotatorio para seleccionar la pista que desee y, a continuación, pulse /ENT.**  
Se reproducirá la pista seleccionada.
- Mantenga pulsado /ESC durante, al menos, 2 segundos en el modo de búsqueda para cancelarlo. El modo de búsqueda también se cancela cuando no se ha realizado ninguna operación durante 10 segundos.
  - Si se realiza la búsqueda de texto de CD durante la reproducción M.I.X., el modo de reproducción M.I.X. se cancelará.

## Búsqueda de nombre de archivo/carpeta (relativo a MP3/WMA/AAC)

Es posible buscar y mostrar nombres de carpeta y de archivo durante la reproducción.

- 1 Durante la reproducción de MP3/WMA/AAC, pulse /ENT para activar el modo de búsqueda.**
- 2 Gire el codificador rotatorio para seleccionar el modo de búsqueda de nombre de carpeta o de archivo y, a continuación, pulse /ENT.**

### Modo de búsqueda de nombres de carpetas


- 3 Gire el codificador rotatorio para seleccionar la carpeta que desee.**
  - 4 Mantenga pulsado /ENT durante, al menos, 2 segundos para reproducir el primer archivo de la carpeta seleccionada.**
- Mantenga pulsado /ESC durante, al menos, 2 segundos en el modo de búsqueda para cancelarlo. El modo de búsqueda también se cancela cuando no se ha realizado ninguna operación durante 10 segundos.
  - Para buscar archivos en el modo de búsqueda de nombres de carpetas, pulse /ENT. Podrá buscar archivos en la carpeta.
  - Pulse /ESC para salir del modo de búsqueda de nombres de carpetas en el paso 3 y seleccionar el modo de búsqueda de nombres de archivos.
  - La carpeta raíz se muestra como “-----”.
  - Si se realiza la búsqueda de nombres de carpetas durante la reproducción M.I.X., el modo de reproducción M.I.X. se cancelará.

### Modo de búsqueda de nombres de archivos

- 3 Pulse o para seleccionar otra carpeta.**
  - 4 Seleccione el archivo que desee girando el codificador rotatorio.**
  - 5 Pulse /ENT para reproducir el archivo seleccionado.**
- Mantenga pulsado /ESC durante, al menos, 2 segundos en el modo de búsqueda para cancelarlo. El modo de búsqueda también se cancela cuando no se ha realizado ninguna operación durante 10 segundos.
  - Pulse /ESC en el modo de búsqueda para regresar al modo anterior.
  - Si se realiza la búsqueda de nombres de archivos durante la reproducción M.I.X., el modo de reproducción M.I.X. se cancelará.


## Búsqueda rápida

Es posible buscar pistas (o archivos).

**1 Mantenga pulsado  /ENT durante, al menos, 2 segundos en el modo CD/Changer/MP3/WMA/AAC para activar el modo de búsqueda rápida.**

**2 Gire el codificador rotatorio para seleccionar la pista (o archivo) que desee.**

Se reproducirá inmediatamente la pista que ha seleccionado.

- *Mantenga pulsado  /ESC durante, al menos, 2 segundos en el modo de búsqueda para cancelarlo. El modo de búsqueda también se cancela cuando no se ha realizado ninguna operación durante 10 segundos.*

## Acerca de MP3/WMA/AAC

### PRECAUCIÓN

*Excepto para uso personal, la duplicación de datos de audio (incluidos datos MP3/WMA/AAC) o su distribución, transferencia o copia, ya sea de forma gratuita o no, sin el permiso del propietario de copyright están estrictamente prohibidos por las leyes de copyright y por tratados internacionales.*

### ¿Qué es MP3?

MP3, cuyo nombre oficial es "MPEG-1 Audio Layer 3", es un estándar de compresión formulado por ISO (International Standardization Organization) y MPEG, que es una institución conjunta a IEC.

Los archivos MP3 contienen datos de audio comprimidos. La codificación MP3 puede comprimir los datos de audio a relaciones notablemente altas comprimiendo archivos de música a una décima parte de su tamaño original. Esto es posible manteniendo a la vez una calidad similar a la de CD. El formato MP3 permite obtener relaciones de alta compresión eliminando los sonidos que son inaudibles para el oído humano o enmascarados por otros sonidos.

### ¿Qué es AAC?

AAC es la forma abreviada de "Advanced Audio Coding", un formato básico de compresión de audio utilizado por MPEG2 o MPEG4.

### ¿Qué es WMA?

WMA o "Windows Media™ Audio" son las siglas para datos de audio comprimidos.

El formato WMA es similar a los datos de audio MP3 y puede conseguir la calidad de sonido de un CD en archivos de tamaño reducido.

### Método de creación de archivos MP3/WMA/AAC

Los datos de audio se comprimen mediante el software con los codecs MP3/WMA/AAC. Para obtener información detallada sobre la creación de archivos MP3/WMA/AAC, consulte el manual del usuario del software.

Los archivos MP3/WMA/AAC que se pueden reproducir en este dispositivo tienen las siguientes extensiones de archivo.

MP3: ".mp3"

WMA: ".wma" (las versiones 7.1, 8 y 9 se pueden utilizar)

AAC: ".m4a"

Existen muchas versiones diferentes del formato AAC. Compruebe que el software utilizado se ajusta a los formatos aceptables enumerados a continuación. Es posible que el formato no pueda reproducirse aunque la extensión sea válida. Se acepta la reproducción de los archivos AAC codificados por iTunes.

### Índices de muestreo y velocidades de bits de reproducción admitidos

#### MP3

Índices de muestreo: 48 kHz, 44,1 kHz, 32 kHz, 24 kHz, 22,05 kHz, 16 kHz, 12 kHz, 11,025 kHz, 8 kHz

Velocidades de bits: 8 - 320 kbps

#### WMA

Índices de muestreo: 48 kHz, 44,1 kHz, 32 kHz

Velocidades de bits: 48 - 192 kbps

#### AAC

Índices de muestreo: 48 kHz, 44,1 kHz, 32 kHz, 24 kHz, 22,05 kHz, 16 kHz, 12 kHz, 11,025 kHz, 8 kHz

Velocidades de bits: 16 - 320 kbps

Es posible que este dispositivo no se reproduzca correctamente según el índice de muestreo.

### Etiquetas ID3/etiquetas WMA

Este dispositivo admite las versiones 1 y 2 de la etiqueta ID3 y la etiqueta WMA.

Si los datos de etiqueta ID3/etiquetas WMA se encuentran en un archivo MP3/WMA/AAC, este dispositivo podrá mostrar los datos de etiqueta ID3/etiqueta WMA de título (título de pista), de nombre de artista y de nombre de álbum.

Este dispositivo sólo puede mostrar caracteres alfanuméricos de un solo byte (hasta 30 para etiquetas ID3 y hasta 15 para etiquetas WMA) y el subrayado. En el caso de caracteres no admitidos, en la pantalla aparecerá NO SUPPORT.

La información de etiqueta puede que no se visualice correctamente, en función del contenido.

### Reproducción de discos MP3/WMA/AAC

Los archivos MP3/WMA/AAC se preparan en primer lugar y, a continuación, se escriben en un disco CD-R o CD-RW mediante un software de escritura de CD-R. Un disco puede incluir hasta 510 archivos/carpetas (incluidas las carpetas raíz) y el número máximo admitido de carpetas es 255.

La reproducción puede que no se realice si un disco supera las limitaciones descritas anteriormente.

### Medios admitidos

Los soportes que puede reproducir este dispositivo son discos CD-ROM, CD-R y CD-RW.

### Sistemas de archivo correspondientes

Este dispositivo admite discos formateados con ISO9660 nivel 1 ó 2.

En el estándar ISO9660, deben tenerse en cuenta ciertas restricciones.

La profundidad máxima de carpeta es 8 (incluido el directorio raíz). El número de caracteres de los nombres de carpeta/archivo es limitado.

Los caracteres válidos para nombres de carpeta/archivo son las letras de la A a la Z (mayúsculas), los números del 0 al 9 y '\_' (guión bajo).

Este dispositivo puede también reproducir discos en estándar Joliet, Romeo, etc., y otros que cumplan con ISO9660. No obstante, en ocasiones los nombres de archivo, carpeta, etc. no se muestran correctamente.

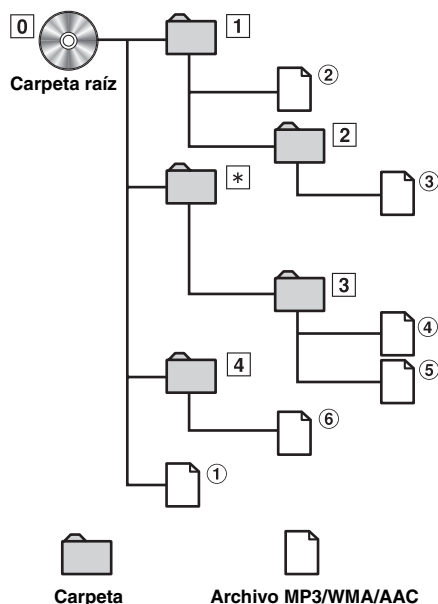
### Formatos admitidos

Este dispositivo admite CD-ROM XA, discos compactos de modo mixto, mejorados (CD-Extra) y multisesión.

Este dispositivo no puede reproducir correctamente discos grabados con Track At Once o escritura de paquete.

## Orden de archivos

Los archivos se reproducen en el orden en que el software de escritura los graba en el disco. Por tanto, el orden de reproducción puede no ser el esperado. Compruebe el orden de grabación en la documentación del software. El orden de reproducción de las carpetas y archivos se muestra a continuación.



\* No aparecerán ni el núm. de carpeta ni el nombre de carpeta si la carpeta no contiene ningún archivo.

## Terminología

### Velocidad de bits

Se trata de la velocidad de compresión de "sonido" especificada para la codificación. Cuanto mayor sea la velocidad de bits, mayor será la calidad de sonido, aunque los archivos serán más grandes.

### Índice de muestreo

Este valor muestra las veces que los datos se muestrean (graban) por segundo. Por ejemplo, los discos compactos de música utilizan un índice de muestreo de 44,1 kHz, por lo que el nivel de sonido se muestrea (graba) 44.100 veces por segundo. Cuanto mayor sea el índice de muestreo, mayor será la calidad de sonido, aunque el volumen de datos también será mayor.

### Codificación

Conversión de discos compactos de música, archivos WAVE (AIFF) y demás archivos de sonido en el formato de compresión de audio especificado.

### Etiqueta

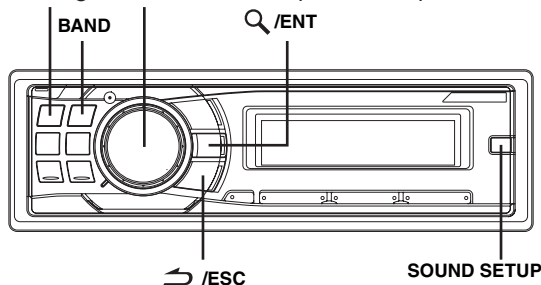
Información sobre las canciones como los títulos, nombres de los artistas, nombres de los álbumes, etc., escrita en archivos MP3/WMA/AAC.

### Carpeta raíz

La carpeta raíz (o directorio raíz) se halla en el nivel superior del sistema de archivos. La carpeta raíz contiene todas las carpetas y archivos. Se crea automáticamente para todos los discos grabados.

# Ajuste de sonido

## SOURCE/⏻ Codificador rotatorio (AUDIO/LOUD)



## Ajuste de nivel del subwoofer/nivel de graves/nivel de agudos/balance (entre los altavoces derechos e izquierdos)/ Fader (entre los altavoces delanteros y traseros)/Defeat

### 1 Pulse el **codificador rotatorio (AUDIO)** varias veces para elegir el modo que desee.

Cada vez que presione se cambia el modo, como se indica a continuación:

SUBW LEVEL\* → BASS LEVEL → TREBLE LEVEL → BALANCE → FADER → DEFEAT → VOLUME → SUBW LEVEL

Efecto de subwoofer: 0 ~ +15

Nivel de graves: -7 ~ +7

Nivel de agudos: -7 ~ +7

Balance: L15 ~ R15

Fader: R15 ~ F15

Defeat: ON/OFF

Volumen: 0 ~ 35

- Si no se realiza ninguna operación dentro de los 5 segundos después de seleccionar el modo SUBW LEVEL, BASS LEVEL, TREBLE LEVEL, BALANCE, FADER o DEFEAT, la unidad volverá automáticamente al modo normal.

\* Cuando el modo subwoofer está ON, no se puede ajustar su nivel. Consulte "ON/OFF del subwoofer" (página 14).

### 2 Gire el **codificador rotatorio** hasta obtener el **sonido deseado en cada modo.**

Si activa el modo DEFEAT, la configuración previa de BASS y TREBLE volverá a la configuración de fábrica.

- Dependiendo de los dispositivos conectados, algunas funciones e indicaciones del visualizador no funcionarán.

## Ajuste del nivel de subwoofer

Puede cambiar el nivel de subwoofer para crear sus propias preferencias tonales.

- 1 Pulse **SOUND SETUP** para activar el modo de ajuste de sonido.
- 2 Gire el **codificador rotatorio** para seleccionar el modo de ajuste de **SUBW LEVEL** y, a continuación, pulse **Q /ENT**.

SUBW LEVEL\*<sup>1</sup> ↔ BASS\*<sup>2</sup> ↔ TREBLE\*<sup>2</sup> ↔ HPF\*<sup>2</sup>  
↔ SUBW LEVEL

- 3 Gire el **codificador rotatorio** para seleccionar el nivel de subwoofer que desee (0~+15).

- Si no se realiza ninguna operación en un espacio de 15 segundos, la unidad vuelve al modo normal automáticamente.
- Cuando el subwoofer está desactivado y DEFEAT está activado, al pulsar el botón **SOUND SETUP** no funcionará momentáneamente.

\*<sup>1</sup> Cuando el modo subwoofer está OFF, no es posible ajustar su nivel, consulte "ON/OFF del subwoofer" (página 14).  
El ajuste también se puede realizar pulsando el **codificador rotatorio (AUDIO)**. Consulte "Ajuste de nivel del subwoofer/nivel de graves/nivel de agudos/balance (entre los altavoces derechos e izquierdos)/Fader (entre los altavoces delanteros y traseros)/Defeat" (página 12).

\*<sup>2</sup> La función no puede utilizarse cuando DEFEAT está ON.

## Ajuste del control de graves

Puede cambiar la intensidad de la frecuencia de graves para crear sus propias preferencias tonales.

- 1 Pulse **SOUND SETUP** para activar el modo de ajuste de sonido.
- 2 Gire el **codificador rotatorio** para seleccionar el modo de ajuste de **BASS** y, a continuación, pulse **Q /ENT**.

SUBW LEVEL\*<sup>3</sup> ↔ BASS\*<sup>4</sup> ↔ TREBLE\*<sup>4</sup> ↔ HPF\*<sup>4</sup>  
↔ SUBW LEVEL

### Ajuste de la frecuencia central de graves

- 3-1 Pulse **BAND** para seleccionar la frecuencia central de graves que desee.

80 Hz → 100 Hz → 200 Hz → 60 Hz → 80 Hz

Destaca los rangos de frecuencias de graves mostrados.

### Ajuste del ancho de banda de graves

- 3-2 Pulse **SOURCE/⏻** para seleccionar el ancho de banda de graves que desee.

→ 1 → 2 → 3 → 4 →  
(Estrecho) ←.....→ (Ancho)

Cambia el ancho de banda de graves potenciado de ancho a estrecho. Un ajuste más ancho potenciará un mayor rango de frecuencias por encima y por debajo de la frecuencia central. Un ajuste más estrecho potenciará solamente las frecuencias cercanas a la central.

## Ajuste del nivel de graves

- 3-3\*<sup>5</sup> Gire el **codificador rotatorio** para seleccionar el nivel de graves que desee (-7~+7).

Puede destacar o reducir el nivel de graves.

- 4 Si mantiene pulsado **↵ /ESC** durante al menos 2 segundos, volverá al modo normal.

- Si no se realiza ninguna operación en un espacio de 15 segundos, la unidad vuelve al modo normal automáticamente.
- El ajuste del nivel de graves se memoriza de forma individual para cada fuente (FM, AM, CD, etc.) hasta que cambia el ajuste. La frecuencia de graves y el ancho de banda de graves ajustados para una fuente se aplican a todas las demás (FM, AM, CD, etc.).
- Dependiendo de los dispositivos conectados, algunas funciones e indicaciones del visualizador no funcionarán. No obstante, el nivel de graves se puede seguir ajustando si se conecta un procesador de audio con función de ajuste de graves.
- Cuando el subwoofer está desactivado y DEFEAT está ON, al pulsar el botón **SOUND SETUP** no funcionará momentáneamente.

\*<sup>3</sup> Cuando del modo subwoofer está desactivado, no se puede ajustar su nivel. Consulte "ON/OFF del subwoofer" (página 14).

\*<sup>4</sup> La función no puede utilizarse cuando DEFEAT está ON.

\*<sup>5</sup> El ajuste también se puede realizar pulsando el **codificador rotatorio (AUDIO)**. Consulte "Ajuste de nivel del subwoofer/nivel de graves/nivel de agudos/balance (entre los altavoces derechos e izquierdos)/Fader (entre los altavoces delanteros y traseros)/Defeat" (página 12).

## Ajuste del control de agudos

Puede cambiar la intensidad de la frecuencia de agudos para crear sus propias preferencias tonales.

- 1 Pulse **SOUND SETUP** para activar el modo de ajuste de sonido.
- 2 Gire el **codificador rotatorio** para seleccionar el modo de ajuste de **TREBLE** y, a continuación, pulse **Q /ENT**.

SUBW LEVEL\*<sup>6</sup> ↔ BASS\*<sup>7</sup> ↔ TREBLE\*<sup>7</sup> ↔ HPF\*<sup>7</sup>  
↔ SUBW LEVEL

### Ajuste de la frecuencia central de agudos

- 3-1 Pulse **BAND** para seleccionar la frecuencia central de agudos que desee.

10,0 kHz → 12,5 kHz → 15,0 kHz → 17,5 kHz → 10,0 kHz

Destaca los rangos de frecuencias de agudos mostrados.

### Ajuste del nivel de agudos

- 3-2\*<sup>8</sup> Gire el **codificador rotatorio** para seleccionar el nivel de agudos que desee (-7~+7).

Puede destacar o reducir el nivel de agudos.

- 4 Si mantiene pulsado **↵ /ESC** durante al menos 2 segundos, volverá al modo normal.

- Si no se realiza ninguna operación en un espacio de 15 segundos, la unidad vuelve al modo normal automáticamente.
- El ajuste del nivel de agudos se memoriza de forma individual para cada fuente (FM, AM, CD, etc.) hasta que cambia el ajuste. La frecuencia de agudos ajustada para una fuente se aplica a todas las demás (FM, AM, CD, etc.).

- Dependiendo de los dispositivos conectados, algunas funciones e indicaciones del visualizador no funcionarán. No obstante, el nivel de agudos se puede seguir ajustando si se conecta un procesador de audio con función de ajuste de agudos.
- Cuando el subwoofer está OFF y DEFEAT está ON, al pulsar el botón SOUND SETUP no funcionará momentáneamente.

<sup>\*6</sup> Cuando el modo subwoofer está OFF, no se puede ajustar su nivel. Consulte "ON/OFF del subwoofer" (página 14).

<sup>\*7</sup> La función no puede utilizarse cuando DEFEAT está ON.

<sup>\*8</sup> El ajuste también se puede realizar pulsando el **codificador rotatorio (AUDIO)**. Consulte "Ajuste de nivel del subwoofer/nivel de graves/nivel de agudos/balance (entre los altavoces derechos e izquierdos)/Fader (entre los altavoces delanteros y traseros)/Defeat" (página 12).

## Ajuste del filtro de paso alto

El filtro de paso alto de esta unidad se puede ajustar según sus preferencias personales.

- 1** Pulse **SOUND SETUP** para activar el modo de ajuste de sonido.
- 2** Gire el **codificador rotatorio** para seleccionar el modo de ajuste de filtro de paso alto (HPF) y, a continuación, pulse **Q/ENT**.

SUBW LEVEL<sup>\*9</sup> ↔ BASS<sup>\*10</sup> ↔ TREBLE<sup>\*10</sup> ↔ HPF<sup>\*10</sup>  
↔ SUBW LEVEL

- 3** Gire el **codificador rotatorio** para seleccionar la frecuencia de filtro de paso alto que desee.

OFF ↔ 80 Hz ↔ 120 Hz ↔ 160 Hz

- 4** Si mantiene pulsado **↵ /ESC** durante al menos 2 segundos, volverá al modo normal.

- Si no se realiza ninguna operación en un espacio de 15 segundos, la unidad vuelve al modo normal automáticamente.
- Si hay conectado un procesador de audio externo, no podrá realizar este ajuste.
- Cuando el subwoofer está OFF y DEFEAT está ON, al pulsar el botón SOUND SETUP no funcionará momentáneamente.

<sup>\*9</sup> Cuando el modo subwoofer está OFF, no se puede ajustar su nivel. Consulte "ON/OFF del subwoofer" (página 14).

<sup>\*10</sup> La función no puede utilizarse cuando DEFEAT está ON.

## Activación/desactivación de sonoridad

La sonoridad enfatiza de forma especial las frecuencias altas y bajas en niveles bajos de escucha. De este modo, se compensa la sensibilidad reducida del oído humano en los graves y los agudos.

**Mantenga pulsado el codificador rotatorio (LOUD) durante, al menos 2 segundos, para activar o desactivar el modo de sonoridad.**

- Si hay conectado un procesador de audio externo, no podrá realizar este ajuste.
- La función no puede utilizarse cuando DEFEAT está ON.

## ON/OFF del subwoofer

Si el subwoofer está activado (ON), puede ajustar el nivel de salida del subwoofer (consulte la página 13).

- 1** Mantenga pulsado **SOUND SETUP** durante al menos 2 segundos para activar el modo de selección Subwoofer.
- 2** Gire el **codificador rotatorio** para seleccionar el modo SUBWOOFER y, a continuación, pulse **Q/ENT**.

SUBWOOFER ↔ SUBW SYSTEM ↔ SUBWOOFER

- 3** Gire el **codificador rotatorio** para seleccionar SUBW ON/OFF y, a continuación, pulse **Q/ENT**.

SUBW ON (ajuste inicial) ↔ SUBW OFF

- 4** Si mantiene pulsado **↵ /ESC** durante al menos 2 segundos, volverá al modo normal.

- Si no se realiza ninguna operación en un espacio de 15 segundos, la unidad vuelve al modo normal automáticamente.

## Ajuste del sistema de subwoofer

Si el subwoofer está activado, puede seleccionar System1 o System2 como efecto de subwoofer deseado.

- 1** Mantenga pulsado **SOUND SETUP** durante al menos 2 segundos para activar el modo de selección Subwoofer.
- 2** Gire el **codificador rotatorio** para seleccionar el modo SUBW SYSTEM y, a continuación, pulse **Q/ENT**.

SUBWOOFER ↔ SUBW SYSTEM ↔ SUBWOOFER

- 3** Gire el **codificador rotatorio** para seleccionar SUBW SYS 1 o SUBW SYS 2 y, a continuación, pulse **Q/ENT**.

Seleccione SYS 1 o SYS 2 como efecto de subwoofer deseado.

SUBW SYS 1 (ajuste inicial) ↔ SUBW SYS 2

SUBW SYS 1: el efecto de subwoofer depende del ajuste principal de volumen.

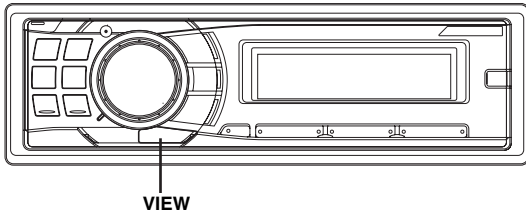
SUBW SYS 2: el efecto de subwoofer es independiente del ajuste principal de volumen. Por ejemplo, incluso si el volumen está bajo, el subwoofer seguirá funcionando.

- 4** Si mantiene pulsado **↵ /ESC** durante al menos 2 segundos, volverá al modo normal.

- Si no se realiza ninguna operación en un espacio de 15 segundos, la unidad vuelve al modo normal automáticamente.
- Esta función no puede utilizarse cuando SUBWOOFER está desactivado.



# Otras funciones



## Visualización de texto

La información de texto, como el título de discos y canciones, aparecerá al reproducir discos compactos compatibles con texto. También es posible mostrar el nombre de la carpeta, del archivo y la etiqueta, etc. mientras se reproducen archivos MP3/WMA/AAC.

### Pulse **VIEW**.

El visualizador cambiará cada vez que presione el botón.

- Si **TEXT SCROLL** está ajustado en **SCROLL MANU**, mantenga pulsado **VIEW** durante al menos 2 segundos y el texto actual se desplazará una vez (excepto el modo Radio).

### Visualizador en modo Radio:

FRECUENCIA → RELOJ → NOMBRE DE EMISORA\*<sup>4/5</sup> → NOMBRE ARTISTA\*<sup>4</sup> → NOMBRE ÁLBUM\*<sup>4</sup> → NOMBRE CANCIÓN\*<sup>4</sup> → FRECUENCIA

### Visualizador en modo de CD:

N. PISTA/TIEMPO TRANSCURRIDO → N. PISTA/RELOJ → TEXTO (NOMBRE DISCO)\*<sup>1</sup> → TEXTO (NOMBRE PISTA)\*<sup>1</sup> → N. PISTA/TIEMPO TRANSCURRIDO

### Visualizador en modo MP3/WMA/AAC:

N. ARCHIVO/TIEMPO TRANSCURRIDO → N. CARPETA/N. ARCHIVO → N. ARCHIVO/RELOJ → NOMBRE CARPETA\*<sup>3</sup> → NOMBRE ARCHIVO → NOMBRE ARTISTA\*<sup>2</sup> → NOMBRE ÁLBUM\*<sup>2</sup> → NOMBRE CANCIÓN\*<sup>2</sup> → N. ARCHIVO/TIEMPO TRANSCURRIDO

### Visualización en modo Bluetooth Audio:

Se visualizará lo siguiente únicamente si hay conectado correctamente un teléfono o un dispositivo con capacidad Bluetooth y funcionalidad de metadatos mediante un módulo de interfaz Bluetooth (Alpine KCE-300BT) (se vende por separado). Para obtener más información, consulte el Manual del propietario del KCE-300BT.

N. PRESINTONÍA → N. PRESINTONÍA/RELOJ → NOMBRE ARTISTA\*<sup>6</sup> → NOMBRE ÁLBUM\*<sup>6</sup> → NOMBRE CANCIÓN\*<sup>6</sup> → N. PRESINTONÍA

\*<sup>1</sup> Se muestra durante la reproducción de un disco con texto CD. Si no aparece texto (nombre de disco o nombre de pista), aparece "DISC TEXT"/"TRACK TEXT". "DISC TEXT"/"TRACK TEXT" aparece para el cambiador.

\*<sup>2</sup> Etiqueta ID3/etiqueta WMA

Si un archivo MP3/WMA/AAC contiene información de etiqueta ID3 o de etiqueta WMA, se mostrará toda la información de dichas etiquetas (por ejemplo, el nombre de canción, de artista o de álbum). Los demás datos de la etiqueta se obviarán.

Si el Ajuste de desplazamiento (página 17) se ha establecido en "SCROLL AUTO," la información de la etiqueta se desplaza de forma automática.

Si no hay información de la etiqueta, se mostrará "ARTIST"/"ALBUM"/"SONG".

\*<sup>3</sup> La carpeta raíz aparece como "FOLDER".

\*<sup>4</sup> Cuando se recibe una señal de HD Radio, aparece la información del texto, como por ejemplo, emisora de radio, artista, etc.

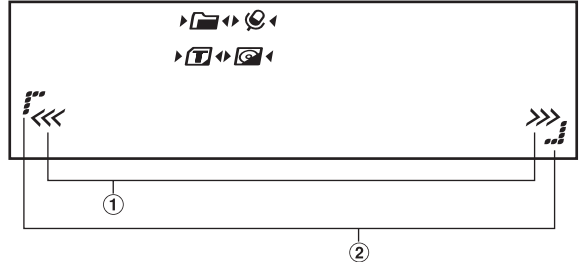
Si no hay información de texto, aparecerá "ARTIST"/"ALBUM"/"SONG"/"STATION".

\*<sup>5</sup> RADIO STATION NAME puede cambiarse entre "LONG" y "SHORT" en "Ajuste de llamada de emisoras de HD Radio (STATION CALL)" (página 18).

\*<sup>6</sup> Cuando se recibe una señal de BT AUDIO, se muestra información, como por ejemplo, el nombre del artista, álbum o canción. Si no hay información de texto, se mostrará "ARTIST"/"ALBUM"/"SONG".

## Acerca del visualizador

Cuando aparezca el texto, se iluminarán los indicadores siguientes en función del modo.



- ① Parpadea en modo búsqueda cuando se gira el **codificador rotatorio**. También parpadea cuando se realiza una operación, como por ejemplo, avance rápido, etc.
- ② Se enciende en el modo SETUP.

Indicador/ Modo	Modo CD	Modo MP3/WMA/AAC	Modo SAT RADIO/HD RADIO	Modo iPod/ BT AUDIO
	—	Nombre de carpeta mostrado	—	—
	—	Nombre de artista mostrado	Nombre de artista mostrado	Nombre de artista mostrado
	Texto (nombre de disco) mostrado	Nombre de álbum mostrado	Nombre de álbum mostrado (sólo HD Radio)	Nombre de álbum mostrado
	Texto (nombre de pista) mostrado	Nombre de la canción/ Nombre de archivo mostrado	Título de la canción/ Nombre del canal mostrado	Nombre de la canción mostrado
<b>CAT</b>	—	—	Búsqueda de categoría mostrada (sólo XM/ SIRIUS)	—
	—	—	Alerta mostrada (sólo SIRIUS Radio) SPS mostrado (sólo HD Radio)	—

## Acerca de "Text"

### Texto:

Los CD compatibles con texto contienen texto informativo como el nombre del disco y el nombre de las pistas. Este texto informativo se denomina "texto".

- Dependiendo del tipo de caracteres, algunos caracteres podrán no visualizarse correctamente con este aparato.
- Para que la información de texto se visualice, el cambiador de discos compactos debe ser también compatible con discos compactos con texto.
- La información de texto o de etiqueta puede que no se visualice correctamente, en función del contenido.

## Visualización de la hora

### Pulse **VIEW** varias veces hasta que aparezca la hora.

Cada vez que pulse el botón, la pantalla cambiará.

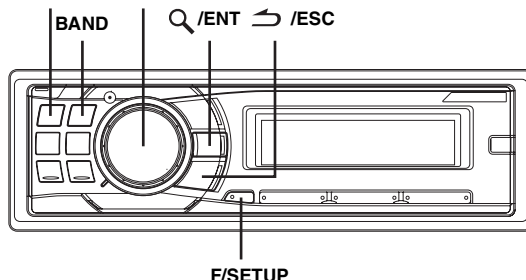
Para obtener información detallada, consulte "Visualización de texto" (página 15).

- Si selecciona cualquier función del sintonizador o del CD mientras se encuentra en modo de prioridad del reloj, la visualización de la hora se interrumpirá momentáneamente. La función seleccionada se mostrará durante unos 5 segundos antes de que vuelva a aparecer la visualización de la hora.
- Cuando se encuentra apagado, pero la llave de contacto se encuentra encendida, pulse **VIEW** para mostrar o apagar la hora.

# SETUP

Puede personalizar con flexibilidad la unidad para que se ajuste a sus propias preferencias de utilización. En el menú SETUP, se puede modificar la Personalización visual, dispositivo externo, etc.

### SOURCE/⏻ Codificador rotatorio



**Siga los pasos de 1 a 4 para seleccionar uno de los modos de SETUP que desee modificar. Consulte la sección correspondiente a continuación si desea más información sobre el elemento de SETUP seleccionado.**

**1 Mantenga pulsado **F/SETUP** durante al menos 2 segundos para activar el modo SETUP.**

**2 Gire el codificador rotatorio para seleccionar el elemento que desee y, a continuación, pulse **Q/ENT**.**

(por ejemplo, seleccione POWER IC)

BLUETOOTH IN<sup>\*1</sup> ↔ ILLUMINATION ↔ LCD CONTRAST ↔ DIMMER ↔ PLAY MODE ↔ SCROLL TYPE ↔ TEXT SCROLL ↔ INT MUTE<sup>\*2</sup> ↔ CLOCK ADJUST<sup>\*3</sup> ↔ AUX+ SETUP ↔ AUX+ NAME<sup>\*4</sup> ↔ AUX IN GAIN<sup>\*4</sup> ↔ DIGITAL AUX ↔ D-AUX NAME<sup>\*5</sup> ↔ AUX IN ↔ AUX NAME<sup>\*6</sup> ↔ CHANGER NAME ↔ POWER IC ↔ LANGUAGE ↔ XM ADF<sup>\*7</sup> ↔ GAME ALERT<sup>\*8</sup> ↔ STATION CALL<sup>\*9</sup> ↔ DIGITAL SEEK<sup>\*9</sup> ↔ DEMO ↔ BLUETOOTH IN

<sup>\*1</sup> Sólo se muestra si INT MUTE está ajustado en OFF y si el modo está ajustado en cualquier opción excepto BT AUDIO.

<sup>\*2</sup> Se muestra sólo si BLUETOOTH IN está desactivado.

<sup>\*3</sup> Consulte "Configuración de la hora" (página 7).

<sup>\*4</sup> Se muestra sólo si AUX+ SETUP está ajustado en ON.

<sup>\*5</sup> Se muestra sólo si DIGITAL AUX está ajustado en ON.

<sup>\*6</sup> Se muestra sólo si AUX IN está ajustado en ON.

<sup>\*7</sup> Cuando está conectada XM, consulte "Ajuste de la pantalla de campo de datos auxiliar (sólo XM)" (página 22).

<sup>\*8</sup> Cuando está conectada SIRIUS, consulte "Configuración de alerta de partido" (página 20).

<sup>\*9</sup> Cuando está conectada HD Radio.

**3 Gire el codificador rotatorio para cambiar el ajuste y, a continuación, pulse **Q/ENT**.**  
(por ejemplo, seleccione POWER IC ON o POWER IC OFF)

**4 Si mantiene pulsado **F/SETUP** durante al menos 2 segundos, volverá al modo normal.**

- Pulse **/ESC** para regresar al modo SETUP anterior.
- Si no se ha realizado ninguna operación durante 60 segundos, se cancelará SETUP.

## BLUETOOTH IN

### Ajuste de la conexión Bluetooth

#### BT IN ADAPTE / BT IN OFF (ajuste inicial)

Si hay conectada una caja de conexión Bluetooth (KCE-300BT) opcional, podrá realizar llamadas en modo manos libres si dispone de un teléfono móvil con Bluetooth.

Realice este ajuste si hay conectada una caja de conexión Bluetooth (KCE-300BT) y se va a utilizar la función Bluetooth. Para obtener más información, consulte el Manual del propietario de la caja Bluetooth opcional (KCE-300BT). Ajuste ADAPTE si hay conectada una caja de conexión Bluetooth (KCE-300BT).

- El botón *PHONE/VOICE DIAL* sólo puede utilizar si hay conectada una caja de conexión Bluetooth opcional (KCE-300BT).

## Personalización visual

### Cambio del color de iluminación

#### ILLUMI TYPE1 (ajuste inicial) / ILLUMI TYPE2

Puede cambiar el color de iluminación de los seis botones siguientes. SOURCE/⏻, BAND, ◀, ▶, ◀◀, ▶▶.

TYPE1: cuando el color de los seis botones es azul, el color del resto es rojo.

TYPE2: cuando el color de los seis botones es rojo, el color del resto es rojo.

### Ajuste del contraste de la pantalla

#### CONTRAST

Puede ajustar el contraste de la pantalla para lograr una mejor visibilidad.

Puede ajustar un rango de -5 y +3.

- El ajuste inicial de fábrica es "0".

### Control de atenuación

#### DIMMER AUTO (ajuste inicial) / DIMMER MANU

Establezca el control DIMMER en AUTO para atenuar el brillo de la unidad con las luces del coche establecidas en ON. Este modo resulta útil si cree que, tras ajustar el nivel de oscurecimiento de la unidad, aún brilla demasiado por la noche.

### Ajuste de tipo de desplazamiento

#### SCROLL TYPE1 / SCROLL TYPE2 (ajuste inicial)

Es posible seleccionar entre dos métodos de desplazamiento. Seleccione el tipo de desplazamiento que prefiera.

SCROLL TYPE1: los caracteres se desplazan de derecha a izquierda, uno por uno.

SCROLL TYPE2: las palabras se escriben de izquierda a derecha, de carácter en carácter. Cuando la pantalla está llena, se borra y el resto de palabras aparecen del mismo modo hasta que se hayan mostrado todas las palabras del título.

### Ajuste de desplazamiento (TEXT SCROLL)

#### SCROLL AUTO / SCROLL MANU (ajuste inicial)

Este reproductor de CD puede desplazar el disco y los nombres de pista grabados en discos CD-TEXT, así como la información del texto de archivos MP3/WMA/AAC, nombres de carpetas y etiquetas.

SCROLL AUTO: la información de texto, los nombres de carpetas y archivos y el texto de HD y SAT Radio se desplazan continuamente. Además, toda la información de etiquetas rota de forma automática y continua en la pantalla, sin pulsar el botón VIEW.

SCROLL MANU: la información anterior se desplaza cuando se carga un disco, cuando cambia un canal o una pista, etc.

- La unidad desplaza nombres de texto de CD, nombres de carpetas, nombres de archivos o visualizaciones de etiquetas.

## Ajuste de fuentes de idioma

### LANGUAGE 1 (ajuste inicial) / LANGUAGE 2

Es posible seleccionar dos tipos de fuentes.

LANGUAGE 1: fuente normal

LANGUAGE 2: fuente europea

## Demostración

### DEMO ON / DEMO OFF (ajuste inicial)

Esta unidad cuenta con una función de demostración que incluye visualización.

- Para salir del modo Demo, ajústelo en DEMO OFF.

## MP3/WMA/AAC

### Reproducción de datos MP3/WMA/AAC (PLAY MODE)

#### CD-DA (ajuste inicial) / CD-DA&MP3

Esta unidad puede reproducir CD que contengan datos tanto de CD como de MP3/WMA/AAC (creados en el formato Enhanced CD o CD Extra). Sin embargo, en algunos casos la reproducción de un CD en formato Enhanced CD puede resultar complicada. Para estos casos, puede seleccionar la reproducción de una sola sesión de datos de CD. Si un disco contiene datos de CD y MP3/WMA/AAC, la reproducción comenzará por la parte de datos de CD del disco.

CD-DA: sólo es posible reproducir los datos de CD de la sesión 1.

CD-DA&MP3: pueden reproducirse datos de CD, archivos MP3/WMA/AAC en modo mixto y discos multisesión.

- Realice este ajuste antes de insertar un disco. Si ya hay un disco insertado, quítelo primero. (Si utiliza un cambiador MP3, tendrá que cambiar los discos.)

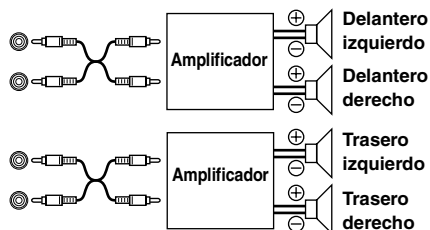
## Dispositivo externo

### Conexión a un amplificador externo

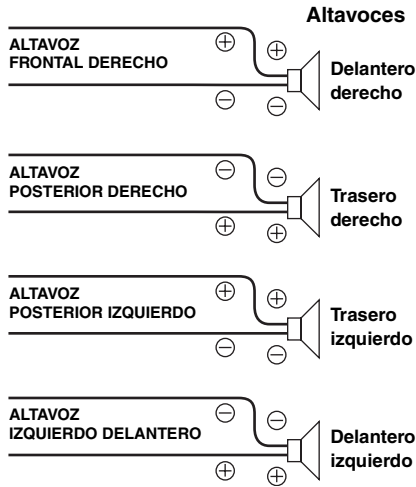
#### POWER IC ON (ajuste inicial) / POWER IC OFF

Al conectar un amplificador externo, la calidad del sonido mejora al desactivarse la fuente de alimentación del amplificador incorporado.

POWER IC OFF: utilice este modo cuando la salida de esta unidad se utilice para conectar un amplificador externo. Con este ajuste, el amplificador interno principal de la unidad se apagará y no podrá accionar los altavoces.



POWER IC ON: Los altavoces reciben la señal desde el amplificador incorporado.



- Cuando la salida está establecida en OFF, el sistema no produce ni reproduce ningún sonido.

### **Activación/desactivación del modo de silenciamiento (INT MUTE)** **MUTE ON / MUTE OFF (ajuste inicial)**

Si se conecta un dispositivo que disponga de la función de interrupción, el audio se silenciará automáticamente cada vez que se reciba la señal de interrupción procedente del dispositivo.

### **Ajuste del modo AUX+ SETUP**

#### **AUX+ ON / AUX+ OFF (ajuste inicial)**

Se pueden conectar dispositivos externos (por ejemplo, un reproductor de música portátil) al conector iPod Direct de esta unidad. Es necesario disponer de un cable de interfaz iPod Direct/RCA (opcional).

No se puede conectar un dispositivo de música portátil y un iPod al mismo tiempo al conector iPod Direct.

**AUX+ ON:** está ajustado a ON cuando está conectado un dispositivo portátil. Si se pulsa SOURCE/⏻ y se encuentra seleccionado AUX+ SETUP, el sonido del dispositivo portátil se recibe en la unidad.

**AUX+ OFF:** está ajustado en OFF cuando está conectado un iPod.

Puede cambiar la visualización del nombre AUX+ NAME cuando AUX+ SETUP está establecido en ON. Pulse Q/ENT cuando AUX+ SETUP está ajustado en ON y seleccione AUX+ NAME girando el **codificador rotatorio** y, a continuación, pulse Q/ENT. Cuando haya terminado, gire el **codificador rotatorio** para seleccionar AUX+ NAME que desee.

### **Ajuste AUX+ Level (AUX IN GAIN)**

#### **LOW (ajuste inicial) / HIGH**

Tras activar (ON) el ajuste en "Ajuste del modo AUX+ SETUP", se puede realizar este ajuste.

**LOW:** reduce el nivel de audio de la entrada externa.  
**HIGH:** aumenta el nivel de audio de la entrada externa.

### **Ajuste de la entrada digital externa**

#### **D-AUX ON / D-AUX OFF (ajuste inicial)**

Cuando un procesador de audio digital compatible ALPINE Ai-NET (PXA-H701) y un reproductor DVD (DVE-5207) no compatible con Ai-NET se conectan, ajuste D-AUX en ON para disfrutar del sonido envolvente del canal 5.1.

Puede cambiar la pantalla D-AUX NAME cuando D-AUX está ajustado en ON. Pulse Q/ENT cuando D-AUX está ajustado en ON y seleccione D-AUX NAME activando el **codificador rotatorio** y, a continuación, pulse Q/ENT. Cuando haya terminado, gire el **codificador rotatorio** para seleccionar el D-AUX NAME que desee.

- Pulse SOURCE/⏻, y seleccione el modo DIGITAL-AUX, ajuste el volumen, etc.
- Una vez finalizada la selección, apague la llave de contacto y vuelva a encenderla. Se ha completado el ajuste del interruptor de entrada digital óptica.
- Según el procesador de audio conectado, es posible que pueda seguir escuchando el sonido del reproductor de DVD, aunque la fuente haya cambiado. Si esto ocurre, ajuste el reproductor de DVD en OFF.

### **Ajuste del modo AUX (V-Link)**

#### **AUX IN ON / AUX IN OFF (ajuste inicial)**

Es posible recibir sonido de TV/vídeo conectando un cable opcional de interfaz Ai-NET/RCA (KCA-121B) o Versatile Link Terminal (KCA-410C) a este componente.

Puede cambiar la visualización del nombre AUX cuando AUX IN está establecido en ON. Pulse Q/ENT cuando AUX IN está ajustado en ON y seleccione AUX NAME activando el **codificador rotatorio** y, a continuación, pulse Q/ENT.

Cuando haya terminado, gire el **codificador rotatorio** para seleccionar el nombre AUX deseado.

Si el KCA-410C está conectado, es posible seleccionar dos nombres para AUX.

- Mediante el KCA-410C, es posible conectar hasta dos dispositivos externos con salida RCA. En este caso, pulse SOURCE/⏻ para seleccionar el modo AUX y, a continuación, pulse BAND para seleccionar el dispositivo que desee.

### **Ajuste del nombre del cambiador**

#### **CHANGER (ajuste inicial) / USB / PORTABLE**

Esta configuración se utiliza cuando la unidad se conecta al adaptador USB para MP3 (KCA-620M). Puede ajustar el nombre que desea mostrar en la unidad en función del dispositivo al que se conecta el Adaptador USB para MP3 (KCA-620M).

## **HD Radio (sólo cuando está conectada HD Radio)**

### **Ajuste de llamada de emisoras de HD Radio (STATION CALL)**

#### **SHORT (ajuste inicial) / LONG**

En el modo HD Radio, se puede seleccionar el número de caracteres de la pantalla para el nombre de emisoras de HD Radio.

**SHORT:** 7 caracteres (FM)  
4 caracteres (AM)  
**LONG:** 56 caracteres

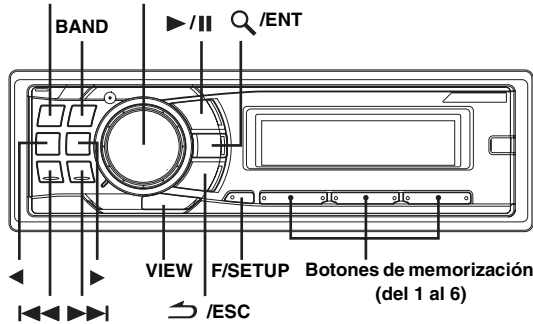
### **Ajuste de ON/OFF de búsqueda digital**

#### **DIG SEEK ON / DIG SEEK OFF (ajuste inicial)**

**ON:** SEEK UP/DOWN sólo se utiliza para Emisoras de radio digital.  
**OFF:** SEEK UP/DOWN se utiliza para todas las Emisoras de radio.

# Receptor de radio SAT (opcional)

SOURCE/☺ Codificador rotatorio



Receptor SAT: receptor XM o SIRIUS  
Cuando se conecta una caja de receptor XM o SIRIUS opcional a través del conector Ai-NET, pueden realizarse las siguientes operaciones. Sin embargo, el receptor XM y el receptor SIRIUS no pueden conectarse de forma simultánea.

Receptor SIRIUS: compruebe las funciones de la caja del receptor SIRIUS conectada. Los Receptores SIRIUS no cuentan con las mismas funciones y es posible que algunas no puedan llevarse a cabo en esta unidad. Para obtener información adicional acerca de las funciones, consulte el Manual del propietario del receptor SIRIUS.

## Recepción de canales con el receptor de SAT Radio (opcional)

### Acerca de SAT Radio

La radio por satélite\* es la próxima generación de entretenimiento a través de audio, con más de 100 canales de audio digitales. Por una cuota mensual reducida, los abonados pueden escuchar música, deportes, noticias y debates con toda claridad y de costa a costa a través del satélite. Para obtener información adicional, visite el sitio Web de XM en [www.xmradio.com](http://www.xmradio.com) o el sitio Web de SIRIUS en [www.sirius.com](http://www.sirius.com).

Para recibir SAT Radio, son necesarios el sintonizador de radio satélite XM Direct™ o SIRIUS que se vende por separado y un adaptador de interfaz Ai-NET apropiado. Para obtener más información, póngase en contacto con su distribuidor de Alpine más cercano.

\* XM y sus respectivos logotipos son marcas comerciales de XM Satellite Radio Inc.

\* SIRIUS y sus respectivos logotipos son marcas comerciales de SIRIUS Satellite Radio Inc.

• Los controles del receptor SAT de esta unidad sólo funcionan cuando se conecta un Receptor SAT.

**1** Pulse **SOURCE/☺** para activar el modo SAT Radio.

**2** Pulse **BAND** para seleccionar una de las tres bandas memorizadas de radio SAT.

Cada vez que pulse el botón, la banda cambiará.

Modo XM:  
X1 → X2 → X3 → X1

Modo SIRIUS:  
S1 → S2 → S3 → S1

**3** Pulse **◀ ◯ ▶** para seleccionar la categoría que desee.

- 4** Pulse **◀◀◀** o **▶▶▶** para seleccionar el canal que desee.  
Si mantiene pulsado **◀◀◀** o **▶▶▶**, los canales cambiarán de forma continua.
- Si utiliza el mando a distancia opcional (RUE-4190, etc.), se puede localizar un Canal de radio SAT con el teclado numérico del mando a distancia.

- 1 Si está en el modo XM o SIRIUS Radio, introduzca el número de canal que desea localiza con el teclado numérico del mando a distancia.
- 2 Pulse **Enter** del mando a distancia antes de que pasen 5 segundos para recibir el Canal.  
Si el número de canal es de 3 dígitos, el Canal se recibe de forma automática tras introducir el número de canal.

## Comprobación del Número de ID de SAT Radio

Es necesario un número de ID de radio especial para registrarse en la programación de radio SAT. XM o SIRIUS radio de otros fabricantes incluyen este número.

Este número es un número alfanumérico de 8 caracteres (para XM Radio) o 12 caracteres (SIRIUS Radio). Se imprime en una etiqueta que aparece en el Receptor SAT.

Puede también aparecer en la pantalla de esta unidad de la siguiente forma.

**XM:**

**1** Si recibe una banda de radio SAT, pulse **◀◀◀** o **▶▶▶** para seleccionar el canal "0" para XM.

La unidad muestra "CH 0" durante 5 segundos y, a continuación, muestra alternativamente "RADIO ID" durante 2 segundos y el número de ID durante 10 segundos. Si aparece "RADIO ID" tal y como se ha indicado anteriormente, la demostración (página 17) no funcionará.

**2** Para cancelar la pantalla de número de ID, seleccione un canal que no sea "0".

**SIRIUS:**

**1** Si recibe una banda de radio SAT, pulse **◀◀◀** o **▶▶▶** para seleccionar el canal "255" para SIRIUS.

**2** Pulse **VIEW** hasta que aparezca el N° de ID en la pantalla.

N. CANAL → NOMBRE CATEGORÍA → NOMBRE CANAL →  
N. ID → N. ID → NOMBRE COMPOSITOR → RELOJ →  
N. CANAL

**3** Para cancelar la pantalla del número de ID, ajuste un canal que no sea "255".

- No puede utilizar "O", "S", "I" o "F" para el Número de ID (sólo Receptor de XM radio).
- Puede comprobar el número de ID impreso en una etiqueta del paquete del Receptor de radio SAT de otro fabricante.

## Almacenamiento de valores predeterminados de canales

**1** Pulse **BAND** para seleccionar la banda que desea almacenar.

**2** Tras sintonizar el canal que desee, mantenga pulsado durante al menos 2 segundos uno de los botones de memorización (del 1 al 6) en el que desee almacenar el canal.

La emisora seleccionada se guarda.

### 3 Repita el procedimiento para almacenar hasta otros 5 canales en la misma banda.

- Para utilizar este procedimiento para otras banda, sólo seleccione la banda que desee y repita este procedimiento.
- Se puede almacenar un total de 18 canales en los números de memorización de XM o SIRIUS. Se almacenan 6 canales en cada banda (X1, X2 y X3 para XM; S1, S2 y S3 para SIRIUS).
- Si almacena un canal en un número de memorización que ya contiene otra emisora, se eliminará el canal actual y se reemplazará por el nuevo.

## Recepción de canales almacenados

- 1 Pulse **BAND** para seleccionar la banda que desee.
- 2 Pulse el **botón de memorización (del 1 al 6)** de canales que contenga en memoria el canal satélite que desea.

## Almacenamiento del Equipo deportivo que desee (sólo SIRIUS)

Almacene un equipo favorito de una de las ligas que SIRIUS tiene disponible. Una vez almacenado, se anunciarán las puntuaciones y horarios de los partidos de ese equipo mediante la pantalla ALERTA de interrupción, mientras recibe otro programa. Para recibir estos avisos, consulte página 20.

Esta función se aplica tras realizar las dos operaciones siguientes.

### Almacenamiento mientras recibe una difusión de un partido

- 1 Seleccione la difusión del canal del partido de su equipo favorito.
- 2 Pulse **F/SETUP** para activar el modo de selección **MEMORY/DELETE**.
- 3 Gire el **codificador rotatorio** para seleccionar el modo **MEMORY** y, a continuación, pulse **Q/ENT**.  
MEMORY ↔ DELETE ↔ MEMORY
- 4 Gire el **codificador rotatorio** para seleccionar el partido del equipo que se está transmitiendo y, a continuación, pulse **Q/ENT**.
- 5 Gire el **codificador rotatorio** para seleccionar el tipo de interrupción y, a continuación, pulse **Q/ENT**.

TYPE INITIAL ↔ TYPE UPDATE (ajuste inicial)

INITIAL: la pantalla ALERTA interrumpe cuando comienza el partido.  
UPDATE: la pantalla ALERTA interrumpe en el curso del partido (cambio de puntuación, resultado del partido, etc.).

- 6 Si mantiene pulsado **↵ /ESC** durante al menos 2 segundos, volverá al modo normal.

- Si trata de almacenar cuando la memoria está llena, aparecerá "MEMORY FULL". Si desea sustituir un equipo que ya se ha guardado en el paso 4, gire el **codificador rotatorio** para seleccionar "REPLACE YES" y, a continuación, pulse **Q/ENT**.
- Se cancelará el modo de ajuste si no ha realizado ninguna operación durante 10 segundos.

## Configuración de alerta de partido

- 1 Mantenga pulsado **F/SETUP** durante al menos 2 segundos para entrar en el modo **SETUP**.
- 2 Gire el **codificador rotatorio** para seleccionar **GAME ALERT** y, a continuación, pulse **Q/ENT**.
- 3 Gire el **codificador rotatorio** para seleccionar la liga que desee y, a continuación, pulse **Q/ENT**.
- 4 Gire el **codificador rotatorio** para seleccionar el equipo que desea almacenar y, a continuación, pulse **Q/ENT**.
- 5 Gire el **codificador rotatorio** para seleccionar un tipo de interrupción y, a continuación, pulse **Q/ENT**.

TYPE INITIAL ↔ TYPE UPDATE (ajuste inicial)

TYPE INITIAL: la pantalla ALERTA interrumpe cuando comienza el partido.

TYPE UPDATE: la pantalla ALERTA interrumpe en el curso del partido (cambio de puntuación, resultado del partido, etc.).

- 6 Mantenga pulsado **F/SETUP** durante al menos 2 segundos para cancelar el modo **SETUP**.

- Pulse **↵ /ESC** para regresar al modo **SETUP** anterior.
- Si no se ha realizado ninguna operación durante 60 segundos, se cancelará **SETUP**.
- En este modo, se puede almacenar un total de 4 equipos en el número de memorización (un equipo por liga).

## Almacenamiento de la Canción/artista que desee (sólo SIRIUS)

Se anunciará un nombre de artista o título de canción almacenado cada vez que un título o artista coincida en otro canal. Aparecerá la ALERTA de interrupción mientras escucha un programa en otro canal. Para recibir información acerca de la interrupción, consulte "Recuperación de la información almacenada (sólo SIRIUS)" (página 21).

- 1 Pulse **F/SETUP** para activar el modo de selección **MEMORY/DELETE** cuando se emite una Canción o la canción de un Artista que desea almacenar.
- 2 Gire el **codificador rotatorio** para seleccionar el modo **Memory** y, a continuación, pulse **Q/ENT**.  
MEMORY ↔ DELETE
- 3 Gire el **codificador rotatorio** para seleccionar **SONG MEMORY** o **ARTIST MEMO** y, a continuación, pulse **Q/ENT**.
- 4 Si mantiene pulsado **↵ /ESC** durante al menos 2 segundos, volverá al modo normal.

- Si trata de almacenar cuando la memoria está llena, aparecerá "MEMORY FULL". Si desea sustituir el título de una canción o el nombre de un artista que ya se han guardado en el paso 3, gire el **codificador rotatorio** para seleccionar "REPLACE YES" y, a continuación, pulse **Q/ENT**.
- Se cancelará el modo de ajuste si no ha realizado ninguna operación durante 10 segundos.

## Recuperación de la información almacenada (sólo SIRIUS)

Cada vez que el equipo deportivo, canciones o artistas almacenados se reproducen, aparecerá una ALERTA de interrupción en la pantalla de la unidad.

### 1 El indicador de ALERTA de interrupción «**FI**» está encendido o parpadeando en función de las condiciones que se indican a continuación.

Indicador (ALERTA) «**FI**» se ha encontrado una Alerta. se enciende:

Indicador (ALERTA) «**FI**» se han encontrado más de 2 parpadea: Alertas.

## Si se han encontrado más de 2 Alertas (indicador de ALERTA parpadeando)

### 2 Gire el **codificador rotatorio** para seleccionar la información que desee.

### 3 Pulse **Q/ENT**.

- Si no se realiza ninguna operación en un espacio de 10 segundos, la unidad vuelve al modo normal.
- Como ALERTA de interrupción, sólo puede mostrarse un único equipo deportivo, canción o artista. Por ejemplo, una canción y un artista no pueden mostrarse como una ALERTA de forma simultánea.

## Cancelación de la Memoria de alertas almacenadas (sólo SIRIUS)

### 1 Durante la recepción habitual, pulse **F/SETUP** para activar el modo de selección **MEMORY/DELETE**.

### 2 Gire el **codificador rotatorio** para seleccionar el modo **Delete y**, a continuación, pulse **Q/ENT**.

MEMORY ↔ DELETE ↔ MEMORY

La Lista de memorias aparecerá tras mostrarse **DELETE MODE**.

### 3 Gire el **codificador rotatorio** para seleccionar la lista que desee eliminar y, a continuación, pulse **Q/ENT**.

### 4 Gire el **codificador rotatorio** para seleccionar **DELETE YES y**, a continuación, pulse **Q/ENT**.

DELETE NO ↔ DELETE YES

Selecione "NO", la unidad volverá a la pantalla de Lista de memorias.

### 5 Si mantiene pulsado **↵/ESC** durante al menos 2 segundos, volverá al modo normal.

- Se cancelará el modo de ajuste si no ha realizado ninguna operación durante 10 segundos.

## Función de búsqueda

Puede buscar programas por Categoría, Canal, Artista o Canción.

### 1 Pulse **Q/ENT** en el modo **XM** o **SIRIUS**.

### 2 Gire el **codificador rotatorio** para seleccionar el modo de búsqueda y, a continuación, pulse **Q/ENT**.

CATEGORY ↔ CHANNEL ↔ ARTIST\* ↔ SONG\* ↔ CATEGORY

\* Sólo **SIRIUS**.

## Modo de búsqueda por categoría

### 3 Gire el **codificador rotatorio** para seleccionar la **Categoría** que desee y, a continuación, pulse **Q/ENT**.

### 4 Gire el **codificador rotatorio** para seleccionar el **Nombre de canal** que desee y, a continuación, pulse **Q/ENT**.

- En el modo de búsqueda por categoría, pulse **↵/ESC** para volver al modo de búsqueda seleccionado.
- El modo de búsqueda se cancela, si mantiene pulsado **↵/ESC** durante al menos 2 segundos o no se realiza ninguna operación durante 10 segundos en el modo de búsqueda por categoría.
- Si se produce una interrupción por **ALERTA** en el modo de búsqueda, se cancelará el modo de búsqueda.

## Modo de búsqueda por Canal/Artista/Canción

### 3 Gire el **codificador rotatorio** para seleccionar el **Nombre de canción/Canal/Artista y**, a continuación, pulse **Q/ENT**.

- En el modo de búsqueda por canal, pulse **◀** o **▶** para seleccionar otra Categoría.
- En el modo de búsqueda por Canal/Artista/Canción, pulse **↵/ESC** para volver al modo de búsqueda seleccionado.
- El modo de búsqueda se cancela, si mantiene pulsado **↵/ESC** durante al menos 2 segundos o no se realiza ninguna operación durante 10 segundos en el modo de búsqueda por Canal/Artista/Canción.
- Si se produce una interrupción por **ALERTA** en el modo de búsqueda, se cancelará el modo de búsqueda.

## Función de búsqueda rápida

Puede buscar todos los canales por orden numérico.

### 1 Mantenga pulsado **Q/ENT** durante al menos 2 segundos en el modo **XM** o **SIRIUS** para activar el modo de búsqueda rápida.

### 2 Gire el **codificador rotatorio** para seleccionar el canal que desee antes de que pasen 10 segundos. Se recibe el canal seleccionado.

## Recepción de información acerca de la previsión meteorológica o tráfico desde SAT Radio

### 1 Seleccione el **Canal de radio SAT** para obtener información acerca de la previsión meteorológica o tráfico local.

### 2 Mantenga pulsado **▶/II** durante al menos 2 segundos en el modo **SAT**. Se almacena el canal meteorológico o de tráfico recibido.

### 3 Mantenga pulsado **BAND** durante al menos 2 segundos. Se recuperará el canal meteorológico o de tráfico almacenado.

### 4 Mantenga pulsado **BAND** durante al menos 2 segundos. Vuelve al modo normal.

- Se puede también recuperar los canales almacenados si mantiene pulsado **BAND** durante al menos 2 segundos.
- También se puede almacenar o recuperar otros canales que no sean el canal meteorológico o de tráfico.

## **Función de repetición instantánea (sólo SIRIUS)**

En el modo SIRIUS; el canal actual se guarda mediante la función de memoria de repetición instantánea. Utilice esta función para realizar una pausa en el contenido del canal en cualquier momento. Cuando se continúa con la reproducción, comenzará en la posición en la que se detuvo. Esta función puede utilizarse para almacenar hasta 44 minutos de audio.

### **1 Durante la recepción de SIRIUS, pulse ►/|| para seleccionar el modo de repetición instantánea.**

Aparece "REPLAY MODE" y se almacena la emisora recibida.

### **2 Vuelva a pulsar ►/|| para activar el modo de reproducción.**

Se reproduce el contenido almacenado.

Durante la reproducción REPLAY:

Retroceso rápido: mantenga pulsado ◀◀◀.

Avance rápido: mantenga pulsado ▶▶▶.

Para volver al principio de la canción actual: pulse ◀◀◀.

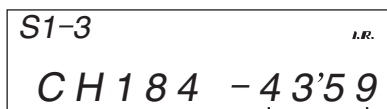
Para avanzar al principio de la siguiente canción: pulse ▶▶▶.

- Si continúa pulsando Avance rápido hasta el final, se cancelará el modo INSTANT REPLAY y la unidad se cambiará a la recepción habitual.

### **3 Pulse ↵/ESC durante al menos 2 segundos para cancelar el modo INSTANT REPLAY.**

La unidad vuelve al modo de difusión SIRIUS habitual.

Ejemplo de la visualización de la hora durante la reproducción REPLAY (sólo modo repetición instantánea)



Hora de reproducción  
(tiempo restante para  
INSTANT REPLAY)

## **Cambio de la visualización**

La información de texto, como por ejemplo, el nombre del canal, el nombre/función del artista y título de canción/programa, se encuentra disponible en cada canal XM o Sirius. La unidad puede mostrar esta información de texto, tal y como se explica a continuación.

### **En el modo XM o SIRIUS, pulse VIEW.**

Cada vez que pulsa este botón, la pantalla cambia, tal y como se indica a continuación.

N. CANAL/(TIEMPO RESTANTE)\*1 → NOMBRE CATEGORÍA  
→ NOMBRE CANAL → NOMBRE ARTISTA →  
TÍTULO CANCIÓN → NOMBRE COMPOSITOR\*2 →  
CAMPO DATOS AUXILIAR\*3 → RELOJ →  
N. CANAL/(TIEMPO RESTANTE)

\*1 Sólo se muestra durante la repetición instantánea.

\*2 Sólo modo SIRIUS.

\*3 Sólo modo XM:

Si ADF está OFF, esta información no se mostrará (consulte "Ajuste de la pantalla de campo de datos auxiliar (sólo XM)" en página 22).

- Si "Ajuste de desplazamiento (TEXT SCROLL)" (página 17) está ajustado en "SCROLL AUTO", la pantalla se desplaza de forma continua. Si el Ajuste de desplazamiento está ajustado en "SCROLL MANU", la pantalla sólo se desplaza una vez tras realizar alguna función (PRESET, BAND, SEARCH, etc.). Las pantallas "CHANNEL No." y "CLOCK" no se desplazan.
- En función del modelo, la pantalla puede diferir de la que se ha indicado anteriormente.

## **Ajuste de la pantalla de campo de datos auxiliar (sólo XM)**

La pantalla de campo de datos auxiliar (ADF) de XM puede activarse o desactivarse. El receptor SIRIUS no dispone de ninguna función ADF.

### **1 Mantenga pulsado F/SETUP durante al menos 2 segundos para seleccionar el modo de selección SETUP.**

### **2 Gire el codificador rotatorio para seleccionar el modo XM ADF y, a continuación, pulse Q/ENT.**

### **3 Gire el codificador rotatorio para activar o desactivar XM ADF y, a continuación, pulse Q/ENT.**

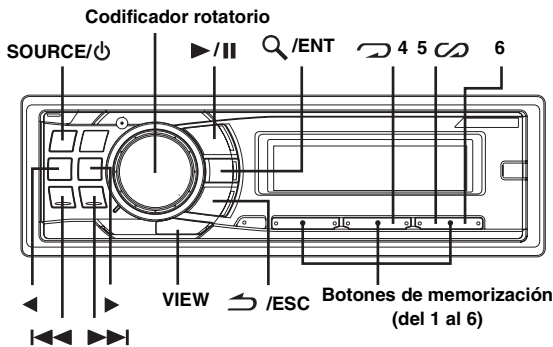
Al activarlo, se mostrara el Campo de datos auxiliar pulsando VIEW (consulte la sección "Cambio de la visualización" en página 22.).

### **4 Si mantiene pulsado F/SETUP durante al menos 2 segundos, volverá al modo normal.**

- Pulse ↵/ESC para regresar al modo SETUP anterior.
- Si no se ha realizado ninguna operación durante 60 segundos, se cancelará SETUP.



# iPod® (Opcional)



Mediante el cable de conexión ALPINE FULL SPEED™ (KCE-422i) exclusivo, puede conectar un iPod® a esta unidad (se vende por separado). Si la unidad está conectada mediante el cable, los controles del iPod no están operativos.

- Desactive AUX+ SETUP si se conecta un iPod (consulte "Ajuste del modo AUX+ SETUP" en página 18).
- Si se conectan de forma simultánea la Caja de Bluetooth y un iPod, asegúrese de desconectar el iPod de la Caja de Bluetooth mientras desactiva ACC.

## iPod que pueden utilizarse con esta unidad

- Puede utilizar la unidad con un iPod, iPod photo, iPod mini o iPod nano de cuarta generación y superior. Sin embargo, no puede utilizar una unidad de reproducción aleatoria iPod.
- Los iPod de rueda táctil o de rueda de desplazamiento sin el conector de acople no se pueden conectar a la unidad.
- La unidad se puede utilizar con los siguientes iPod.

iPod de cuarta generación  
iPod de quinta generación  
iPod photo  
iPod mini  
iPod nano de primera generación  
iPod nano de segunda generación

- Si la unidad se utiliza con versiones de software de iTunes para iPod anteriores a la versión 7.1.0.59, no se garantiza su correcto funcionamiento.

## Reproducción

### 1 Pulse SOURCE/⏻ para cambiar al modo iPod.

TUNER → XM RADIO/SIRIUS\*<sup>1</sup> → DISC → iPod\*<sup>2</sup>/AUX+\*<sup>3</sup> → BT AUDIO\*<sup>4</sup> → CHANGER\*<sup>5</sup> → TUNER

\*<sup>1</sup> Sólo cuando se conecta XM Radio o SIRIUS Radio.

\*<sup>2</sup> Se muestra sólo si iPod está conectado y AUX+ SETUP está desactivado, consulte "Ajuste del modo AUX+ SETUP" (página 18).

\*<sup>3</sup> Se muestra sólo si AUX+ SETUP está ON, consulte "Ajuste del modo AUX+ SETUP" (página 18).

\*<sup>4</sup> Se muestra sólo si BLUETOOTH IN está ajustado en ADAPTE, consulte "Ajuste de la conexión Bluetooth" (página 17).

\*<sup>5</sup> Sólo cuando el cambiador de CD está conectado.

### 2 Pulse ◀◀ o ▶▶ para seleccionar la canción deseada.

Para volver al principio de la canción actual:

Pulse ◀◀.

Retroceso rápido en la canción actual:

Mantenga pulsado ◀◀.

Para avanzar al principio de la siguiente canción:

Pulse ▶▶.

Avance rápido en la canción actual:

Mantenga pulsado ▶▶.

### 3 Para hacer una pausa en la reproducción, pulse ▶||.

Si vuelve a pulsar ▶|| volverá a activarse la reproducción.

- Si se reproducía una canción en el iPod mientras estaba conectado a la unidad, continuará reproduciéndose a partir del punto en que se interrumpió al desconectarse.
- Si escucha un episodio de un audiolibro o podcast seleccionado, puede cambiarlo pulsando ◀ o ▶.
- Un episodio puede contener varios capítulos. Para cambiar de capítulo, pulse ◀◀ o ▶▶.

## Búsqueda de la canción deseada

Un iPod puede contener cientos de canciones. Mediante el uso de información de etiqueta y la organización de las canciones en listas de reproducción, las funciones de búsqueda de la unidad pueden buscar las canciones fácilmente.

Cada categoría musical tiene su propia jerarquía individual. Utilice el modo de búsqueda Lista de reproducción/Artista/Álbum/Canción/Podcast/Género/Compositor/Audiolibro para restringir las búsquedas, según la tabla siguiente.

Jerarquía 1	Jerarquía 2	Jerarquía 3	Jerarquía 4
Lista de reproducción (PLAYLIST)	Canción	—	—
Artista (ARTIST)*	Álbum*	Canción	—
Álbum (ALBUM)*	Canción	—	—
Canción (SONG)	—	—	—
Podcast	Episodio	—	—
Género (GENRE)*	Artista*	Álbum*	Canción
Compositor (COMPOSER)*	Álbum*	Canción	—
Audiolibro (AUDIOBOOK)	—	—	—

Por ejemplo: búsqueda por nombre de artista

El ejemplo siguiente muestra cómo se realiza una búsqueda por ARTISTA. Puede utilizarse otro modo de búsqueda para la misma operación, aunque la jerarquía será diferente.

### 1 Pulse Q/ENT para activar el modo de selección de búsqueda.

### 2 Gire el codificador rotatorio para seleccionar el modo de búsqueda por artista y, a continuación, pulse Q/ENT.

PLAYLIST ↔ ARTIST ↔ ALBUM ↔ SONG ↔

PODCAST ↔ GENRE ↔ COMPOSER ↔ AUDIOBOOK

↔ PLAYLIST

**3 Gire el codificador rotatorio para seleccionar el Artista que desee y, a continuación, pulse  $\mathcal{Q}$  /ENT.**

**4 Gire el codificador rotatorio para seleccionar un álbum y, a continuación, pulse  $\mathcal{Q}$  /ENT.**

**5 Gire el codificador rotatorio para seleccionar una canción y pulse  $\mathcal{Q}$  /ENT.**

Se reproducirá la canción seleccionada.

- *Tras mantener pulsado  $\mathcal{Q}$  /ENT durante al menos 2 segundos en cada jerarquía (excepto la jerarquía SONG y AUDIOBOOK), todas las canciones de la jerarquía seleccionada se reproducirán.*
- *Tras seleccionar [ALL] en el modo de búsqueda con “\*”, mantenga pulsado  $\mathcal{Q}$  /ENT durante al menos 2 segundos para reproducir todas las canciones del iPod o el modo de búsqueda seleccionado.*
- *En el modo de búsqueda, si mantiene pulsado  $\mathcal{E}$  /ESC durante al menos 2 segundos o no se realiza ninguna operación durante 10 segundos, el modo de búsqueda se cancela.*
- *Si pulsa  $\mathcal{E}$  /ESC en modo de búsqueda, volverá al modo anterior.*
- *Si se realiza la búsqueda durante la reproducción M.I.X., el modo de reproducción M.I.X. se cancelará.*
- *“NO SONG” aparecerá si no existe ninguna canción en la lista de reproducción seleccionada en el modo de búsqueda por PLAYLIST.*
- *“NO PODCAST” aparecerá si no existen datos de podcast en el iPod en el modo de búsqueda PODCAST.*
- *“NO AUDIOBOOK” aparecerá si no existen datos de audiolibro en el iPod en el modo de búsqueda por AUDIOBOOK.*
- *Si se ha seleccionado “el nombre de iPod” almacenado en el iPod en el modo de búsqueda por lista de reproducción deseado y si se pulsa  $\mathcal{Q}$  /ENT, podrá buscar todas las canciones del iPod. Además, si mantiene pulsado  $\mathcal{Q}$  /ENT durante por lo menos 2 segundos, se reproducen todas las canciones del iPod.*
- *En función del iPod, la búsqueda por podcast no es compatible.*
- *Si se pulsa algún botones de memorización (del 1 al 6) en el modo de búsqueda, puede realizarse una búsqueda rápidamente saltando hasta la ubicación especificada. Para obtener información detallada, consulte “Función de búsqueda directa” en página 24.*

## Búsqueda rápida

Puede buscar una canción entre todas las canciones del iPod sin seleccionar ningún álbum, artista, etc.

**1 Mantenga pulsado  $\mathcal{Q}$  /ENT durante al menos 2 segundos para activar el modo de búsqueda rápida.**

**2 Gire el codificador rotatorio para seleccionar la canción que desee.**

Se reproducirá inmediatamente la canción que ha seleccionado.

- *En el modo de búsqueda, si mantiene pulsado  $\mathcal{E}$  /ESC durante al menos 2 segundos o no se realiza ninguna operación durante 10 segundos, el modo de búsqueda se cancela.*
- *Si el iPod contiene muchas canciones, tardará algún tiempo en buscarlas.*
- *Si se pulsa algún botones de memorización (del 1 al 6) en el modo de búsqueda, puede realizarse una búsqueda rápidamente saltando hasta la ubicación especificada. Para obtener información detallada, consulte “Función de búsqueda directa” en página 24.*
- *Esta función está inactiva durante la reproducción en modo de repetición (RPT).*

## Función de búsqueda directa

Puede utilizar la función de búsqueda directa de la unidad para buscar álbumes, canciones, etc. de forma más eficaz. En el modo Lista de reproducción/Artista/Álbum/Canción/Podcast/Género/Compositor/Audiolibro, encontrará cualquier canción rápidamente.

**En el modo de búsqueda, pulse cualquier botón de memorización (del 1 al 6) para saltar rápidamente un porcentaje designado del contenido de la canción.**

Ejemplo de búsqueda en modo Song:

Si el iPod contiene 100 canciones, estarán divididas en 6 grupos mediante porcentajes (que se muestran a continuación). Estos grupos se asignan a los botones de preajuste del 1 al 6.

Ejemplo 1:

Supongamos que la canción que busca está ubicada hacia la mitad (50%) de la biblioteca: pulse el botón 4 para saltar hasta la canción 50 y gire el codificador rotatorio para buscar la canción que desee.

Ejemplo 2:

Supongamos que la canción que busca está ubicada hacia el final (83%) de la biblioteca: pulse el botón 6 para saltar hasta la canción 83 y gire el codificador rotatorio para buscar la canción que desee.

	Las 100 canciones (100%)					
	0%	17%	33%	50%	67%	83%
Botones de memorización	1	2	3	4	5	6
Canciones	Primera canción	17ª canción	33ª canción	50ª canción	67ª canción	83ª canción

## Selección de Lista de reproducción/Artista/Álbum/Género/Compositor

Se puede cambiar de un modo fácil la Lista de reproducción/Artista/Álbum/Género/Compositor.

Por ejemplo, si escucha una canción de un álbum seleccionado, el álbum se puede cambiar.

**Pulse  $\blacktriangleleft$  o  $\blacktriangleright$  para seleccionar la Lista de reproducción/Artista/Álbum/Género/Compositor que desee.**

- *Si se ha utilizado el modo de búsqueda por canción para seleccionar una canción, esta función no estará activa.*
- *Si se ha seleccionado un álbum durante la búsqueda de un artista, también pueden buscarse otros álbumes del mismo artista.*
- *Esta función está inactiva durante la reproducción aleatoria (M.I.X.).*

## Reproducción aleatoria (M.I.X.)

La función aleatoria del iPod aparece como M.I.X. en esta unidad.

### Reproducir álbumes de forma aleatoria:



Las canciones de cada álbum se reproducen en el orden correcto. Al finalizar todas las canciones de un álbum, se selecciona el siguiente álbum de forma aleatoria. El mismo proceso continúa hasta que se han reproducido todos los álbumes.

### Reproducir canciones de forma aleatoria:

La reproducción aleatoria de canciones reproduce las canciones de una categoría seleccionada (lista de reproducción, álbum, etc.). Las canciones de dicha categoría se reproducen sólo una vez hasta que todas las canciones se hayan reproducido.

#### 1 Pulse 5 .

Las canciones se reproducen en secuencia aleatoria.

 M.I.X. → M.I.X. → (off) →  M.I.X.  
(Reproducir (Reproducir  
álbumes de canciones de  
forma aleatoria) forma aleatoria)

#### 2 Para cancelar la reproducción M.I.X., seleccione (off) con el mismo procedimiento que se describió antes.

- Si se ha seleccionado una canción en el modo de búsqueda por álbum antes de seleccionar la reproducción M.I.X., las canciones no se reproducirán de forma aleatoria aunque se haya seleccionado Reproducir álbum en forma aleatoria.

### Reproducir todo de forma aleatoria:

La reproducción de todo de forma aleatoria reproduce todas las canciones del iPod de forma aleatoria. Las canciones no se vuelven a reproducir hasta que todas se han reproducido.

#### 1 Pulse 6.

Las canciones se reproducen en secuencia aleatoria.

M.I.X. → (off) → M.I.X.  
(Reproducir  
todo de  
forma aleatoria)

#### 2 Para cancelar la reproducción M.I.X., seleccione (off) con el mismo procedimiento que se describió antes.

- Si Shuffle ALL está seleccionado, se cancelan las canciones seleccionadas que se reprodujeron en el modo de búsqueda.

## Repetición de reproducción

Sólo está disponible la opción de repetición única para el iPod.

### Repetición única:


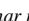
Una sola canción se reproduce de forma repetida.

#### 1 Pulse 4.

Se reproducirá repetidamente la canción.

RPT → (off) → RPT  
(Repetición  
única)

#### 2 Para cancelar el modo de repetición, seleccione (off) con el mismo procedimiento que se describió antes.

- Durante la reproducción en modo de repetición, no se podrán seleccionar más canciones pulsando  o .

## Visualización de texto

Puede visualizar la información de la etiqueta de una canción en el reproductor iPod.

### Pulse VIEW.

Cada vez que pulse el botón, la pantalla cambiará.

- Si TEXT SCROLL está ajustado en MANU, mantenga pulsado VIEW durante, al menos, 2 segundos y el texto actual se desplazará una vez.

N. PISTA/TIEMPO TRANSCURRIDO → N. PISTA/RELOJ →  
NOMBRE ARTISTA\* → NOMBRE ÁLBUM\* →  
NOMBRE CANCIÓN\* →  
N. PISTA/TIEMPO TRANSCURRIDO

#### \* Información de etiquetas

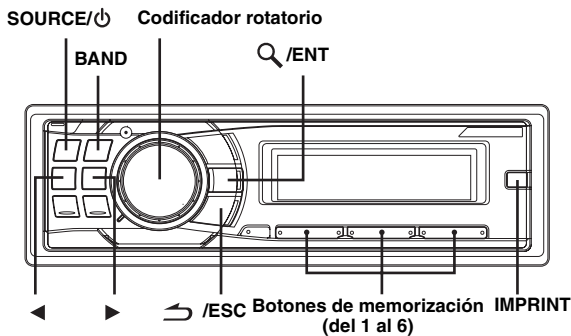
Aparece "ARTIST"/"ALBUM"/"SONG" si no hay información de la etiqueta.

- Sólo se pueden mostrar caracteres alfanuméricos (ASCII).
- Si el nombre del artista, álbum o canción creados en iTunes tiene demasiados caracteres, es posible que no se reproduzcan las canciones cuando estén conectadas al adaptador. Por tanto, se recomienda un máximo de 250 caracteres. El número máximo de caracteres de la unidad principal es 128 (128 bytes).
- Es posible que algunos caracteres no se visualicen correctamente.
- "NO SUPPORT" aparece si la unidad no admite información de texto.

# Funcionamiento de IMPRINT (opcional)

Alpine presenta IMPRINT, la primera tecnología del mundo que elimina eficazmente los problemas acústicos de los vehículos que suelen degradar la calidad del sonido. Esta tecnología permite escuchar música, tal y como la concibió el artista. Para obtener más información, consulte "Acerca de IMPRINT" (página 33).

Si se conecta la CAJA IMPRINT (PXA-H100) (se vende por separado) a la unidad, se podrá configurar la función MultEQ y el siguiente ajuste de sonido.



## Cambio del modo MultEQ

La tecnología MultEQ, desarrollada por Audyssey Labs, corrige el audio para obtener un mejor entorno de escucha. El sistema se optimiza para las posiciones seleccionadas del vehículo. Para ello, MultEQ debe tomar mediciones de las características de respuesta del vehículo. Para obtener más información sobre el proceso de instalación, póngase en contacto con su distribuidor autorizado Alpine.

**Si mantiene pulsado IMPRINT durante, al menos, 2 segundos, cambiará al modo MultEQ.**

MULTEQ OFF (modo manual) → CURVE 1 (MultEQ-1) → CURVE 2 (MultEQ-2) → MULTEQ OFF (modo manual)

- El modo de curva se puede seleccionar únicamente si se han almacenado la curva 1 y la curva 2.
- Si se utiliza MultEQ, MEDIAXPANDER, MX LEV MODE, CROSSOVER, T.CORR PARA, FACTORY'S EQ, SUBW PHASE, SUBW CHANNEL, TW SETUP, EQ MODE, FILTER TYPE y PARAMETER EQ/GRAPHIC EQ se ajustan de forma automática. El usuario ya no puede ajustarlas.
- Cuando hay conectado un procesador de audio externo, no se puede utilizar la función MultEQ.

## Ajuste del nivel de subwoofer/nivel de graves/nivel de agudos/fader (entre los altavoces delanteros y traseros)/balance (entre los altavoces derechos e izquierdos) en el modo MultEQ

Puede cambiar estos ajustes para crear sus propias preferencias en el modo MultEQ (CURVE 1 o CURVE 2).

- 1 Pulse **IMPRINT** para activar el modo de ajuste MultEQ.
- 2 Gire el **codificador rotatorio** para seleccionar el elemento que desee y, a continuación, pulse **Q/ENT**.  
SUBW LEVEL\*1 ↔ BASS LEVEL ↔ TREBLE LEVEL ↔ FADER\*2 ↔ BALANCE ↔ SUBW LEVEL
- 3 Gire el **codificador rotatorio** para cambiar el ajuste tal como se indica a continuación y, después, pulse **Q/ENT**.

Efecto de subwoofer: 0 ~ +15  
Nivel de graves: -7 ~ +7  
Nivel de agudos: -7 ~ +7  
Fader: R15 ~ F15  
Balance: L15 ~ R15

- Si no se ha realizado ninguna operación durante 60 segundos tras seleccionar el modo SUBW LEVEL, BASS LEVEL, TREBLE LEVEL, FADER o BALANCE, la unidad regresa de forma automática al modo normal.

\*1 Cuando el modo SUBWOOFER está OFF, no es posible ajustar su nivel y el SUBWOOFER ON/OFF no se puede ajustar en modo MultEQ (CURVE 1 o CURVE 2).

\*2 Si se ajusta el conmutador de 2,2 canales (3WAY)/4,2 canales (FRONT/REAR/SUBW.) de la caja Imprint (PXA-H100) en 2,2 canales (3WAY), no se puede ajustar el modo FADER. Para obtener más información, consulte el Manual del propietario de la PXA-H100.

- Dependiendo de los dispositivos conectados, algunas funciones e indicaciones del visualizador no funcionarán.

## Configuración del ajuste de sonido en modo Manual

Puede cambiar estos ajustes de sonido para crear sus propias preferencias cuando el modo MultEQ está ajustado en MULTEQ OFF (modo Manual).

**Siga los pasos de 1 a 4 para seleccionar uno de los modos de menú de sonido que desee modificar. Consulte la sección correspondiente a continuación si desea más información sobre el elemento seleccionado.**

**1 Pulse IMPRINT para activar el modo de selección del menú de sonido.**

**2 Gire el codificador rotatorio para seleccionar el elemento que desee y, a continuación, pulse Q/ENT.**

SUBWOOFER ↔ SUBW SYSTEM\*<sup>1</sup> ↔ SUBW PHASE\*<sup>1</sup> ↔ SUBW CHANNEL\*<sup>1</sup> ↔ FACTORY'S EQ ↔ TW SETUP\*<sup>2</sup> ↔ FILTER TYPE ↔ MEDIAXPANDER ↔ MX LEV MODE\*<sup>3</sup> ↔ EQ MODE ↔ T.CORR PARA ↔ SOUND ADJUST\*<sup>4</sup> ↔ SUBWOOFER  
(por ejemplo, seleccione SUBWOOFER)

\*<sup>1</sup> Estas funciones no pueden utilizarse cuando SUBWOOFER está desactivado.

\*<sup>2</sup> Esta función sólo está operativa si la PXA-H100 (se vende por separado) está conectada y se ha ajustado en el modo de 2,2 canales (3WAY). Para obtener más información, consulte el Manual del propietario de la PXA-H100.

\*<sup>3</sup> Esta función no puede utilizarse cuando MEDIAXPANDER está desactivado.

\*<sup>4</sup> En el paso 2, se pueden seleccionar tres elementos de ajuste de sonido (PARAMETER EQ/GRAPHIC EQ, T.CORRECTION, CROSSOVER) en el modo SOUND ADJUST, gire el codificador rotatorio para seleccionar el elemento que desee y, a continuación, pulse Q/ENT para continuar con el paso 3.

**3 Gire el codificador rotatorio para cambiar el ajuste y, a continuación, pulse Q/ENT.**

(por ejemplo, seleccione SUBW ON o SUBW OFF).

**4 Si mantiene pulsado ↵ /ESC durante al menos 2 segundos, volverá al modo normal.**

- Los ajustes de MEDIAXPANDER FACTORY'S EQ, PARAMETER EQ/GRAPHIC EQ, EQ MODE y MX LEV MODE no pueden utilizarse cuando DEFEAT está ON.
- Pulse ↵ /ESC para regresar al modo del menú de sonido anterior.
- Se cancelará el modo de menú de sonido si no ha realizado ninguna operación durante 60 segundos.

### ON/OFF del subwoofer

Si el subwoofer está activado (ON), puede ajustar el nivel de salida del subwoofer (consulte la página 13).

SUBW OFF ↔ SUBW ON (ajuste inicial)

### Ajuste del sistema de subwoofer

Si el subwoofer está activado, puede seleccionar System1 o System2 como efecto de subwoofer deseado.

SUBW SYS 1 (ajuste inicial) ↔ SUBW SYS 2

SUBW SYS 1: el efecto de subwoofer depende del ajuste principal de volumen.

SUBW SYS 2: el efecto de subwoofer es independiente del ajuste principal de volumen. Por ejemplo, incluso si el volumen está bajo, el subwoofer seguirá funcionando.

### Ajuste de la fase del subwoofer

NORMAL (ajuste inicial) ↔ REVERSE

La fase de salida del subwoofer se puede cambiar entre SUBWOOFER NORMAL (0°) o SUBWOOFER REVERSE (180°). Para ajustar el nivel, gire el codificador rotatorio.

### Ajuste del canal de subwoofer (SUBW CHANNEL)

Se puede ajustar la salida del subwoofer en estéreo o monoaural. Es importante seleccionar la salida correcta para cada tipo de subwoofer.

STEREO (Ajuste inicial) ↔ MONO

STEREO: salida estéreo de subwoofer (L/R)

MONO: salida monoaural de subwoofer

### Preajustes del ecualizador (FACTORY'S EQ)

El ecualizador viene con 10 ajustes típicos de fábrica que se pueden aplicar a una gran variedad de material original de música.

FLAT ↔ POPS ↔ ROCK ↔ NEWS ↔ JAZZ&BLUES ↔ ELEC DANCE ↔ HIP HOP&RAP ↔ EASY LISTEN ↔ COUNTRY ↔ CLASSICAL ↔ USER 1 ↔ USER 2 ↔ USER 3 ↔ USER 4 ↔ USER 5 ↔ USER 6

- Si se selecciona una opción entre USER 1 y 6, se puede recuperar el número de memorización guardado en "Ajuste de la curva del ecualizador gráfico" (página 29) o "Ajuste de la curva del ecualizador paramétrico" (página 28).

### Ajuste de la inclinación de respuesta del altavoz de gama alta (TW SETUP)

"Ajuste de las características de respuesta del tweeter en FLAT en el modo de 2,2 canales (3WAY) puede provocar daños en el altavoz. Asegúrese de que el corte Crossover resulta adecuado para el tweeter utilizado (consulte "Ajuste de crossover" en página 29)."

MAKER'S (Ajuste inicial) ↔ USER'S

MAKER'S: como protección frente a posibles averías, no se puede ajustar FLAT para la inclinación de respuesta del altavoz de gama alta en el modo de 2,2 canales (3WAY).

USER'S: sí se puede ajustar FLAT en el modo de 2,2 canales (3WAY).

## Ajuste del tipo de filtro

NORMAL (Ajuste inicial) ↔ INDIVIDUAL

**NORMAL (L=R):** los altavoces izquierdos y derechos se ajustan al mismo tiempo.

**INDIVIDUAL (L/R):** los altavoces izquierdos y derechos se ajustan por separado.

## ON/OFF de Media Xpander

Si la función Media Xpander está activada, podrá ajustar el nivel de Media Xpander (consulte la página 28).

MX OFF (ajuste inicial) ↔ MX ON

## Ajuste del nivel MX

MX (MEDIAXPANDER) hace que las voces o instrumentos suenen diferentes independientemente de la fuente musical. La radio FM, el CD y el iPod pueden reproducir la música de un modo claro incluso en el coche cuando hay mucho ruido en el exterior.

### Cambio de la fuente a la que desea aplicar Media Xpander.

#### FM (nivel MX del 1 al 3):

las frecuencias medias y altas se reproducen con más claridad y el sonido está equilibrado en todas las frecuencias.

#### CD (nivel MX del 1 al 3):

el modo CD procesa una gran cantidad de datos durante la reproducción. MX aprovecha estos datos para obtener una salida con sonido más limpio y claro.

#### CMPM /SAT (nivel MX del 1 al 3):

este modo corrige la información que se pierde en el proceso de compresión. Se consigue una reproducción de sonido bien equilibrado que se aproxima mucho al original.

#### DVD (Video CD)

##### (nivel MOVIE MX del 1 al 2):

los diálogos de un vídeo se reproducen con más claridad.

#### (DVD MUSIC):

un DVD o un Vídeo CD contienen gran cantidad de datos, al igual que un clip de música. MX utiliza estos datos para reproducir el sonido con más precisión.

#### AUX (nivel MX 1):

seleccione el modo MX (CMPM, MOVIE o MUSIC) correspondiente al medio conectado.

- Cada fuente musical, como sintonizador FM, CD y MP3/WMA/AAC, puede tener su propia configuración de MX.
- En discos con MP3/WMA/AAC y CD-DA, cuando la fuente cambia de "MP3/WMA/AAC a CD-DA" o "CD-DA a MP3/WMA/AAC", el cambio del modo MX puede retrasar ligeramente la reproducción.
- Si se ajusta la opción EFFECT OFF, el modo MX de cada fuente de música se OFF.
- La función no puede utilizarse cuando DEFEAT está ON.
- El modo MX no se aplica a la radio AM.
- Si hay un procesador de audio con función MX (PXA-H701, etc.) conectado, se aplicará su propio procesamiento MX a la fuente de música. Como la configuración MX del procesador puede no coincidir con la unidad principal, es necesario ajustar el procesador de audio. Para obtener más información, consulte el Manual de operación del procesador de audio.
- "CMPM" se aplica a archivos MP3/WMA/AAC y al iPod.
- "SAT" se aplica a XM radio y SIRIUS radio.

## Ajuste del modo EQ

Este ajuste ofrece elegir entre un ecualizador gráfico de 7 bandas o uno paramétrico de 5 bandas.

PARAMETER EQ (ajuste inicial) ↔ GRAPHIC EQ

PEQ: ecualizador paramétrico de 5 bandas

GEQ: ecualizador gráfico de 7 bandas

## Ajuste de las unidades de corrección de tiempo (T.CORR PARA)

Puede cambiar las unidades (cm o pulg) de la corrección de tiempo.

CM (ajuste inicial) ↔ INCH

## Ajuste de campo de sonido (SOUND ADJUST)

La configuración de PARAMETER EQ/GRAPHIC EQ, T.CORRECTION y CROSSOVER puede ajustarse en este modo.

### Ajuste de la curva del ecualizador paramétrico

Es posible modificar los ajustes del ecualizador para crear una curva de respuesta que se ajuste más a sus gustos personales. Para ajustar la curva del ecualizador paramétrico, ajuste EQ MODE en PARAMETER EQ. Para obtener información adicional, consulte "Ajuste del modo EQ" (página 28).

#### 1 Una vez seleccionado PARAMETER EQ en el modo SOUND ADJUST, pulse **BAND** para seleccionar la banda que desea ajustar.

B 1 → B 2 → B 3 → B 4 → B 5 → B 1

#### 2 Pulse ◀ ◯ ▶ para seleccionar las bandas de frecuencias.

Bandas de frecuencias ajustables:  
de 20 Hz a 20 kHz (en pasos de 1/3 de octava)

Band-1: 20 Hz~80 Hz (63 Hz)  
Band-2: 50 Hz~200 Hz (150 Hz)  
Band-3: 125 Hz~3,2 kHz (400 Hz)  
Band-4: 315 Hz~8 kHz (1 kHz)  
Band-5: 800 Hz~20 kHz (2,5 kHz)

#### 3 Gire el **codificador rotatorio** para ajustar el nivel.

Nivel de ajuste: de -6 a +6 dB

#### 4 Pulse **SOURCE/** para definir el ancho de banda (Q).

Ancho de banda ajustable: 1 , 1,5 , 3

#### 5 Para ajustar otra banda, repita los pasos del 1 al 4 y realice los ajustes.

- Las frecuencias de las bandas adyacentes no se pueden ajustar en 4 pasos.
- Durante el ajuste del PARAMETER EQ, debe tener en cuenta la respuesta de frecuencia de los altavoces conectados.

## Ajuste de la curva del ecualizador gráfico

Es posible modificar los ajustes del ecualizador para crear una curva de respuesta que se ajuste más a sus gustos personales. Para ajustar la curva del ecualizador gráfico, ajuste EQ MODE en GRAPHIC EQ. Para obtener información adicional, consulte "Ajuste del modo EQ" (página 28).

### 1 Una vez seleccionado GRAPHIC EQ en el modo SOUND ADJUST, pulse **BAND** para seleccionar la banda que desea ajustar.

B 1 → B 2 → B 3 → B 4 → B 5 → B 6 → B 7 → B 1

Band-1 (63 Hz) / Band-2 (150 Hz) / Band-3 (400 Hz) /  
Band-4 (1 kHz) / Band-5 (2,5 kHz) / Band-6 (6,3 kHz) /  
Band-7 (17,5 kHz)

### 2 Gire el codificador rotatorio para ajustar el nivel.

Nivel de salida de ajuste: de -6 a +6 dB

### 3 Para ajustar otra banda, repita los pasos 1 y 2, y realice los ajustes.

## Ajuste de la corrección de tiempo

Antes de realizar los siguientes procedimientos, consulte "Acerca de la corrección de tiempo" (página 31).

### 1 Una vez seleccionado T.CORRECTION en el modo SOUND ADJUST, pulse **BAND** para seleccionar el altavoz que desea ajustar.

#### Sistema de 2,2 canales (3WAY)

F-L (Ajuste inicial) → F-R → R-L → R-R →  
(Med-I) (Med-D) (Alt-I) (Alt-D)  
SW-L → SW-R → F-L  
(Med-I)

#### Sistema de 4,2 canales (FRONT/REAR/SUBW.)

F-L (Ajuste inicial) → F-R → R-L → R-R →  
(Front-I) (Front-D) (Post-I) (Post-D)  
SW-L → SW-R → F-L  
(Front-I)

### 2 Gire el codificador rotatorio para ajustar el valor de corrección de la distancia. (de 0,0 a 336,6 cm.).

L = (distancia al altavoz más alejado) – (distancia al resto de altavoces)

Consulte "Lista de valores de corrección de tiempo" en página 31.

### 3 Repita los pasos 1 y 2 para ajustar otro altavoz.

Ajuste estos valores para que el sonido llegue a la posición de escucha al mismo tiempo desde todos los altavoces.

## Ajuste de crossover

Antes de realizar los siguientes procedimientos, consulte "Acerca del crossover" (página 32).

### Sistema de 2,2 canales (3WAY)

#### 1 Una vez seleccionado CROSSOVER en el modo SOUND ADJUST, pulse **BAND** para seleccionar la banda que desea ajustar.

#### Sistema de 2,2 canales (3WAY) / NORMAL (L=R)

##### Elementos de configuración:

LOW / M-L / M-H / HIGH

#### Sistema de 2,2 canales (3WAY) / INDIVIDUAL (L/R)

##### Elementos de configuración:

L-L / L-R / ML-L / ML-R / MH-L / MH-R / H-L / H-R

#### 2 Pulse ◀ o ▶ para seleccionar la frecuencia de corte que desee (punto de crossover).

Bandas de frecuencias ajustables:

#### Sistema de 2,2 canales (3WAY)

##### Elementos de configuración:

LOW / M-L 20 Hz~200 Hz  
M-H 20 Hz~20 kHz  
HIGH (1 kHz~20 kHz)\*<sup>1</sup>/(20 Hz~20 kHz)\*<sup>2</sup>

\*<sup>1</sup> Si está seleccionada la opción *Maker*, consulte la sección "Ajuste de la inclinación de respuesta de altavoz de gama alta (TW SETUP)" (página 27).

\*<sup>2</sup> Si está seleccionada la opción *User*, consulte la sección "Ajuste de la inclinación de respuesta de altavoz de gama alta (TW SETUP)" (página 27).

#### 3 Pulse **SOURCE**/⏻ para ajustar la inclinación.

Inclinación de ajuste: FLAT\*, 6 dB/oct., 12 dB/oct., 18 dB/oct., 24 dB/oct.

\* *FLAT* se puede ajustar para una inclinación únicamente si se selecciona la opción *USER* en "Ajuste de la inclinación de respuesta del altavoz de gama alta (TW SETUP)" (página 27). En función de las características de respuesta del altavoz, se debe tener cuidado al ajustar la inclinación de respuesta en *FLAT*: el altavoz podría averiarse. En esta unidad, aparece un mensaje si la inclinación de respuesta del altavoz de gama alta está ajustado en *FLAT*.

#### 4 Gire el codificador rotatorio para ajustar el nivel de salida.

Nivel de salida de ajuste: de -12 a 0 dB.

#### 5 Repita los pasos 1-4 para ajustar las otras bandas.

## Sistema de 4,2 canales (FRONT/REAR/SUBW.)

- 1 Una vez seleccionado **CROSSOVER** en el modo **SOUND ADJUST**, pulse **BAND** para seleccionar la banda que desea ajustar.

### Sistema de 4,2 canales (FRONT/REAR/SUBW.) / NORMAL (L=R)

#### elementos de configuración:

LOW (SUB-W) / MID (TRASERO) / HIGH (DELANTERO)

### Sistema de 4,2 canales (FRONT/REAR/SUBW.) / INDIVIDUAL (L/R)

#### elementos de configuración:

L (SUB-W)-L / L (SUB-W)-R / M (REAR)-L /  
M (TRASERO)-R / H (DELANTERO)-L /  
H (DELANTERO)-R

- 2 Pulse **◀** o **▶** para seleccionar la frecuencia de corte que desee (punto de crossover).

Bandas de frecuencias ajustables:

### Sistema de 4,2 canales (FRONT/REAR/SUBW.)

#### Elementos de configuración:

20 Hz~200 Hz

- 3 Pulse **SOURCE**/**⏻** para ajustar la inclinación.

Inclinación de ajuste: FLAT, 6 dB/oct., 12 dB/oct., 18 dB/oct., 24 dB/oct.

- 4 Gire el **codificador rotatorio** para ajustar el nivel de salida.

Nivel de salida de ajuste: de -12 a 0 dB.

- 5 Repita los pasos 1-4 para ajustar las otras bandas.

- Durante el ajuste de **CROSSOVER**, debe tener en cuenta la respuesta de frecuencia de los altavoces conectados.
- Acerca del sistema de 2,2 canales (3WAY)/4,2 canales (FRONT/REAR/SUBW.)

Puede cambiar al modo de sistema 2,2 canales (3WAY)/4,2 canales (FRONT/REAR/SUBW.) con el conmutador 2,2 canales (3WAY)/4,2 canales (FRONT/REAR/SUBW.) de la PXA-H100. Para obtener más información, consulte el Manual del propietario de la PXA-H100.

## Almacenamiento de la configuración de ajuste de campo de sonido

La configuración de **SOUND ADJUST** que a su vez incluye la configuración de **PARAMETER EQ**/**GRAPHIC EQ**, **T.CORRECTION** y **CROSSOVER** puede almacenarse en los números de memorización.

- 1 Cuando se complete la configuración de **SOUND ADJUST**, pulse alguno de los **botones de memorización (del 1 al 6)** en algún elemento del modo **SOUND ADJUST** (por ejemplo, **CROSSOVER**), mantenga pulsados los botones de memorización que desee durante al menos 2 segundos.

- 2 Gire el **codificador rotatorio** para seleccionar **PROTECT YES/NO** y, a continuación, pulse **YES/NO** y, a continuación, pulse **Q/ENT** para almacenar el contenido ajustado.

PROTECT YES (ajuste inicial) ↔ PROTECT NO

- Si selecciona **YES**, el contenido ajustado queda protegido y almacenado en los botones de memorización. Si desea almacenar el parámetro en un botón de memorización protegido, puede seleccionar "REPLACE NO/YES".
- Si se selecciona **NO**, se almacena el botón de memorización.
- Mientras realiza esta operación, se almacenará el contenido ajustado de **PARAMETER EQ**/**GRAPHIC EQ**, **T.CORRECTION** y **CROSSOVER** en los botones de memorización.
- El contenido almacenado no se elimina ni al restablecer la unidad o desconectar la batería.
- Se puede acceder al contenido almacenado si realiza la operación descrita en "Recuperación de la configuración de ajuste de campo de sonido" (página 30).

## Recuperación de la configuración de ajuste de campo de sonido

La configuración de **SOUND ADJUST** almacenada incluye la configuración de **PARAMETER EQ**/**GRAPHIC EQ**, **T.CORRECTION** y **CROSSOVER** que se almacena en los números de memorización.

- 1 Una vez seleccionado cualquier elemento de modo **SOUND ADJUST** (por ejemplo, **CROSSOVER**), pulse alguno de los **botones de memorización (del 1 al 6)** que presenten la característica que desee para recuperar la configuración almacenada.

- 2 Vuelva a pulsar los **botones de memorización** para volver al modo **SOUND ADJUST**.

- Mientras realiza esta operación, se recuperará el contenido de ajuste de **PARAMETER EQ**/**GRAPHIC EQ**, **T.CORRECTION** y **CROSSOVER** que se encuentra almacenado en los botones de memorización.



## Acerca de la corrección de tiempo

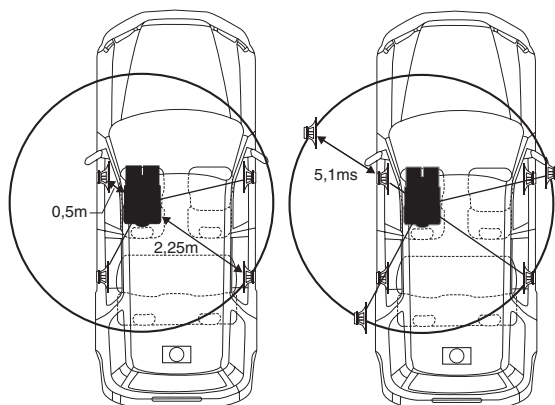
La distancia entre el oyente y los altavoces en un vehículo puede variar en gran medida, dada la compleja ubicación de los altavoces. Esta diferencia en las distancias entre los altavoces y el oyente crea un cambio en la imagen del sonido y en las características de frecuencia. Se trata de un desfase de tiempo que se produce entre la llegada del sonido a los oídos izquierdo y derecho del usuario.

Para corregirlo, esta unidad puede desfasar la señal de audio en los altavoces que estén más cerca del oyente. De este modo, se crea eficazmente una sensación de mayor distancia para dichos altavoces. El oyente se puede colocar a la misma distancia de los altavoces izquierdo y derecho para un mejor sonido.

El ajuste se realiza en cada altavoz en pasos de 3,4 cm.

### Ejemplo 1. Posición de escucha: asiento delantero izquierdo

Ajuste el nivel de corrección de tiempo del altavoz delantero izquierdo con un valor más alto y el trasero derecho con un valor de cero o un valor bajo.



El sonido no está equilibrado porque la distancia entre la posición de escucha y los distintos altavoces es distinta. La diferencia de distancia entre el altavoz delantero izquierdo y el altavoz trasero derecho es de 1,75 m (68-7/8"). A continuación se calcula el valor de corrección de tiempo para el altavoz delantero izquierdo en el diagrama.

Condiciones:

Altavoz más lejano – posición de escucha: 2,25 m (88-9/16")

Altavoz delantero izquierdo – posición de escucha: 0,5 m

Cálculo:  $D = 2,25 \text{ m} - 0,5 \text{ m} = 1,75 \text{ m}$  (68-7/8")

Corrección de tiempo =  $1,75 \div 343^{*1} \times 1.000 = 5,1$  (ms)

*\*1 Velocidad del sonido: 343 m/s a 20 °C*

Dicho de otro modo, si se le da al altavoz delantero izquierdo un valor de corrección de tiempo de 5,1 ms, se obtiene la sensación de que la distancia al oyente es la misma que la del altavoz más alejado.

La corrección de tiempo elimina las diferencias de tiempo necesarias para que el sonido alcance la posición de escucha. El tiempo del altavoz delantero izquierdo se corrige 5,1 ms, de modo que su sonido alcance la posición de escucha al mismo tiempo que el sonido del resto de los altavoces.

### Ejemplo 2. Posición de escucha: todos los asientos

Ajuste el nivel de corrección de tiempo de cada altavoz casi hasta el mismo nivel.

- 1 **Siéntese en la posición de escucha (asiento del conductor, etc.) y mida la distancia (en metros) entre su cabeza y los altavoces.**
- 2 **Calcule la diferencia entre el valor de corrección de la distancia con el altavoz más alejado y el resto de los altavoces.**

$L = (\text{distancia al altavoz más alejado}) - (\text{distancia al resto de altavoces})$

Estos valores serán los valores de corrección de tiempo para los distintos altavoces. Ajuste estos valores para que el sonido llegue a la posición de escucha al mismo tiempo desde todos los altavoces.

### Lista de valores de corrección de tiempo

Número de desfase	Diferencia de tiempo (ms)	Distancia (cm)	Distancia (pulg)	Número de desfase	Diferencia de tiempo (ms)	Distancia (cm)	Distancia (pulg)
0	0,0	0,0	0,0	51	5,1	173,4	68,3
1	0,1	3,4	1,3	52	5,2	176,8	69,7
2	0,2	6,8	2,7	53	5,3	180,2	71,0
3	0,3	10,2	4,0	54	5,4	183,6	72,4
4	0,4	13,6	5,4	55	5,5	187,0	73,7
5	0,5	17,0	6,7	56	5,6	190,4	75,0
6	0,6	20,4	8,0	57	5,7	193,8	76,4
7	0,7	23,8	9,4	58	5,8	197,2	77,7
8	0,8	27,2	10,7	59	5,9	200,6	79,1
9	0,9	30,6	12,1	60	6,0	204,0	80,4
10	1,0	34,0	13,4	61	6,1	207,4	81,7
11	1,1	37,4	14,7	62	6,2	210,8	83,1
12	1,2	40,8	16,1	63	6,3	214,2	84,4
13	1,3	44,2	17,4	64	6,4	217,6	85,8
14	1,4	47,6	18,8	65	6,5	221,0	87,1
15	1,5	51,0	20,1	66	6,6	224,4	88,4
16	1,6	54,4	21,4	67	6,7	227,8	89,8
17	1,7	57,8	22,8	68	6,8	231,2	91,1
18	1,8	61,2	24,1	69	6,9	234,6	92,5
19	1,9	64,6	25,5	70	7,0	238,0	93,8
20	2,0	68,0	26,8	71	7,1	241,4	95,1
21	2,1	71,4	28,1	72	7,2	244,8	96,5
22	2,2	74,8	29,5	73	7,3	248,2	97,8
23	2,3	78,2	30,8	74	7,4	251,6	99,2
24	2,4	81,6	32,2	75	7,5	255,0	100,5
25	2,5	85,0	33,5	76	7,6	258,4	101,8
26	2,6	88,4	34,8	77	7,7	261,8	103,2
27	2,7	91,8	36,2	78	7,8	265,2	104,5
28	2,8	95,2	37,5	79	7,9	268,6	105,9
29	2,9	98,6	38,9	80	8,0	272,0	107,2
30	3,0	102,0	40,2	81	8,1	275,4	108,5
31	3,1	105,4	41,5	82	8,2	278,8	109,9
32	3,2	108,8	42,9	83	8,3	282,2	111,2
33	3,3	112,2	44,2	84	8,4	285,6	112,6
34	3,4	115,6	45,6	85	8,5	289,0	113,9
35	3,5	119,0	46,9	86	8,6	292,4	115,2
36	3,6	122,4	48,2	87	8,7	295,8	116,6
37	3,7	125,8	49,6	88	8,8	299,2	117,9
38	3,8	129,2	50,9	89	8,9	302,6	119,3
39	3,9	132,6	52,3	90	9,0	306,0	120,6
40	4,0	136,0	53,6	91	9,1	309,4	121,9
41	4,1	139,4	54,9	92	9,2	312,8	123,3
42	4,2	142,8	56,3	93	9,3	316,2	124,6
43	4,3	146,2	57,6	94	9,4	319,6	126,0
44	4,4	149,6	59,0	95	9,5	323,0	127,3
45	4,5	153,0	60,3	96	9,6	326,4	128,6
46	4,6	156,4	61,6	97	9,7	329,8	130,0
47	4,7	159,8	63,0	98	9,8	333,2	131,3
48	4,8	163,2	64,3	99	9,9	336,6	132,7
49	4,9	166,6	65,7				
50	5,0	170,0	67,0				

## Acerca del crossover

### Crossover (X-OVER):

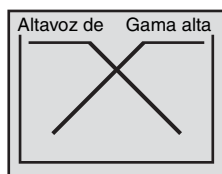
Esta unidad está equipada con tecnología crossover. El crossover limita las frecuencias que llegan a las salidas. Cada canal se controla de forma independiente. De este modo, cada pareja de altavoces se regula con las frecuencias para las que han sido diseñados.

El crossover ajusta el HPF (filtro de paso alto) o LPF (filtro de paso bajo) de cada banda y, también, la inclinación (velocidad con la que el filtro procesa los máximos y los mínimos).

Los ajustes deben realizarse según las características de reproducción de los altavoces. En función de los altavoces, tal vez no sea necesaria ninguna red pasiva. Si tiene dudas al respecto, póngase en contacto con su distribuidor autorizado Alpine.

### Modo de 4,2 canales (FRONT/REAR/SUBW.)

	Frecuencia de corte (pasos de 1/3 de octava)		Inclinación		Level
	HPF	LPF	HPF	LPF	
Altavoz de gama baja	----	20 Hz - 200 Hz	----	FLAT, 6, 12, 18, 24 dB/oct.	de 0 a -12 dB
Altavoz trasero de gama alta	20 Hz - 200 Hz	----	FLAT, 6, 12, 18, 24 dB/oct.	----	de 0 a -12 dB
Altavoz delantero de gama alta	20 Hz - 200 Hz	----	FLAT, 6, 12, 18, 24 dB/oct.	----	de 0 a -12 dB

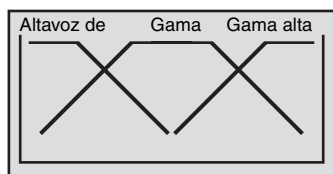


(No coinciden con la imagen real)

### Modo de 2,2 canales (3WAY)

	Frecuencia de corte (pasos de 1/3 de octava)		Inclinación		Level
	HPF	LPF	HPF	LPF	
Altavoz de gama baja	----	20 Hz - 200 Hz	----	FLAT, 6, 12, 18, 24 dB/oct.	de 0 a -12 dB
Altavoz de gama media	20 Hz - 200 Hz	20 Hz - 20 kHz	FLAT, 6, 12, 18, 24 dB/oct.	FLAT, 6, 12, 18, 24 dB/oct.	de 0 a -12 dB
Altavoz de gama alta	1 kHz - 20 kHz, (20 Hz ~ 20 kHz)*	----	FLAT* 6, 12, 18, 24 dB/oct.	----	de 0 a -12 dB

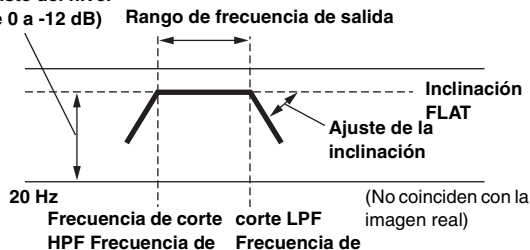
\* Sólo si se selecciona la opción User en "Ajuste de la inclinación de respuesta del altavoz de gama alta (TW SETUP)" (página 27).



(No coinciden con la imagen real)

### Ajuste del nivel

(de 0 a -12 dB)



- **HPF (filtro de paso alto):** corta las frecuencias más bajas y permite que pasen las frecuencias más altas.
- **LPF (filtro de paso bajo):** corta las frecuencias más altas y permite que pasen las frecuencias más bajas.
- **Inclinación:** cambio del nivel (en dB) para un cambio de frecuencias de una octava.
- Cuando mayor es el valor de la inclinación, más acusada es la inclinación.
- Ajuste la inclinación en FLAT para omitir los filtros HP o LP.
- No utilice un tweeter sin activar el HPF o ajustado en baja frecuencia, ya que podría dañar el altavoz por la señal de baja frecuencia.
- No se puede ajustar una frecuencia de crossover superior al HPF o inferior que el LPF.
- El ajuste debe realizarse según las recomendaciones de frecuencia de crossover de los altavoces conectados. Determine cuál es la frecuencia de crossover recomendada para los altavoces. Si se ajustan en un rango de frecuencias fuera de los valores recomendados, podría dañar los altavoces.

Para conocer las frecuencias de crossover recomendadas para los altavoces Alpine, consulte el Manual de operación correspondiente. No nos hacemos responsables de posibles daños o averías en los altavoces causados por una frecuencia de crossover fuera de los valores recomendados.

## Acerca de IMPRINT

Alpine presenta IMPRINT, la primera tecnología del mundo que elimina eficazmente los problemas acústicos de los vehículos que suelen degradar la calidad del sonido. Esta tecnología permite escuchar música, tal y como la concibió el artista.

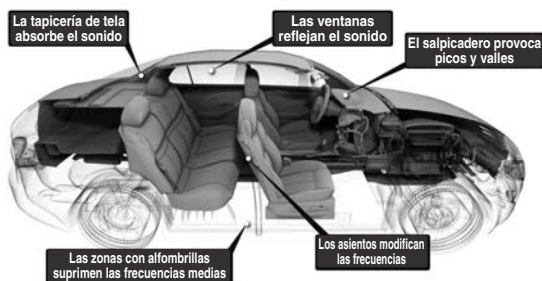


### VISIÓN Y REALIDAD

Toda la buena música tiene su origen en la visión del artista. Tras horas interminables de ensayos, grabación y mezclas, esa visión está lista para que podamos escucharla en discos, en la radio y en otros soportes. Pero, ¿realmente escuchamos la música creada por el artista? Por desgracia, la realidad demuestra que casi nunca es posible escuchar la música tal y como la concibió el artista. Especialmente cuando la escuchamos en el interior de un vehículo.

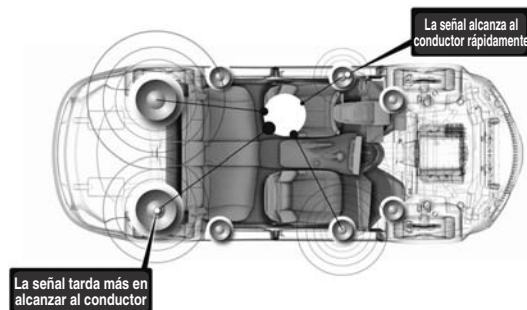
### LOS VEHÍCULOS NO SON LUGARES ADECUADOS PARA ESCUCHAR MÚSICA

El interior del vehículo está plagado de materiales que interfieren y degradan la calidad del sonido. Las ventanas, por ejemplo, amplifican y reflejan las frecuencias altas. La tapicería de los asientos y el recubrimiento del salpicadero modifican determinadas frecuencias. Las alfombrillas absorben y suprimen las frecuencias medias. Los ecualizadores gráficos y paramétricos son sólo remedios parciales para este tipo de problemas. Además, los altavoces no se encuentran a la misma distancia de la persona que escucha, por lo que se crea un sonido sin equilibrar y descentrado. La corrección de tiempo puede ayudar a solucionar este problema, pero únicamente desde una posición de escucha.



## IMPRINT YA ESTÁ AQUÍ

Estos problemas acústicos son tan acusados que ningún sistema de corrección ha logrado solucionarlos. Hasta ahora, con la llegada de IMPRINT, Alpine ofrece una combinación de hardware/software que no sólo resuelve estos problemas, sino que incluso mejora el sonido, el equilibrio de tonos y la definición. Lo hace automáticamente y ¡en sólo unos minutos!

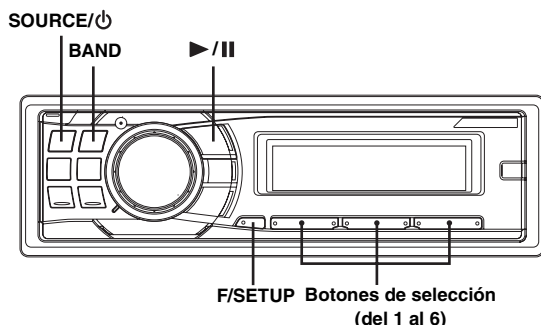


### QUÉ DISTINGUE A IMPRINT

La combinación de IMPRINT y MultEQ supera los resultados de sistemas de ecualización en cinco aspectos.

- Es el único sistema que mide toda el área de escucha, capturando información del dominio del tiempo desde cada posición de escucha y aplicando un método propio para procesar y representar todas las ubicaciones de escucha. De este modo, las personas de cada asiento disfrutan de una experiencia óptima de escucha.
- Corrige los problemas de tiempo y de frecuencia para obtener un sonido general más suave y natural.
- Utiliza la asignación de frecuencias dinámicas para aplicar cientos de puntos de corrección a las áreas en las que se producen mayores problemas de sonido.
- Determina los puntos óptimos de combinación para los puntos de corte de frecuencias bajas.
- En cuestión de minutos, lleva a cabo una sintonización del sonido del vehículo que los técnicos profesionales consiguen tras días de trabajo.

# Cambiador (Opcional)



## Control de un cambiador de discos compactos (opcional)

Es posible conectar un cambiador opcional de 6 ó 12 discos compactos si esta unidad es compatible con Ai-NET. Con un cambiador de discos compactos conectado a la entrada Ai-NET podrá controlar dicho cambiador CD desde esta unidad.

Mediante el uso del KCA-400C (dispositivo de conmutación de varios cambiadores) o del KCA-410C (Versatile Link Terminal) podrá controlar varios cambiadores desde esta unidad.

Consulte la sección "Selección de cambiador múltiple (opcional)" en página 34 para obtener información sobre la selección de cambiadores de discos compactos.

- Los controles de esta unidad para operaciones de cambiador de discos compactos sólo pueden utilizarse cuando hay un cambiador conectado.
- El cambiador de DVD (opcional) también puede controlarse desde esta unidad.

### 1 Pulse SOURCE/⏻ para activar el modo CHANGER.

- El indicador de fuente varía en función de la fuente conectada.
- Pulse BAND para cambiar el modo Disco en el modo Cambiador.

### 2 Pulse F/SETUP para activar el modo de selección de discos.

Modo de selección de disco (No. disco 1~6) → Modo de selección de disco\* (No. disco 7~12) →

Modo RPT/M.I.X. → Modo de selección de disco (No. disco 1~6)

### 3 Pulse los botones de selección (del 1 al 6) correspondientes a uno de los discos cargados en el cambiador de discos compactos.

El número de disco seleccionado aparece en la pantalla y la reproducción de CD/MP3 comenzará.

- Después de seleccionar el disco deseado, podrá manejarlo de la misma forma que con el reproductor de discos compactos de esta unidad. Para obtener información adicional, consulte la sección CD/MP3/WMA/AAC.

\* Si se ha conectado un cambiador de discos compactos de 12 discos.

## Reproducción de archivos MP3 con el cambiador de CD (opcional)

Si conecta un cambiador compatible con MP3, podrá reproducir sus discos de CD-ROM, CD-R y CD-RW que contengan archivos MP3 en esta unidad.

### 1 Pulse SOURCE/⏻ para cambiar al modo Cambiador de MP3.

### 2 Modo de operación M.I.X./REPEAT Pulse cualquiera de los botones de selección (del 1 al 6) correspondientes a uno de los discos cargados en el cambiador de discos compactos.

### 3 Para hacer una pausa en la reproducción, pulse ▶/⏸.

Si vuelve a pulsar ▶/⏸ volverá a activarse la reproducción.

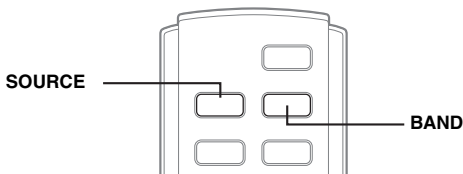
- La unidad puede reproducir discos que contengan tanto datos de audio como datos MP3.
- Para obtener información acerca del funcionamiento del MP3 con un cambiador de CD compatible con MP3, consulte "CD/MP3/WMA/AAC" páginas 9 a 12.

## Selección de cambiador múltiple (opcional)

El sistema Ai-NET Alpine podrá manejar hasta 6 cambiadores de discos compactos. Cuando quiera operar dos o más cambiadores, deberá usar el KCA-400C (dispositivo de conmutación de cambiadores múltiples). Si utiliza un dispositivo de conmutación, podrá conectar hasta 4 cambiadores de discos compactos. Si utiliza 2 dispositivos de conmutación, podrá conectar hasta 6 cambiadores de discos compactos. Al utilizar KCA-410C (Versatile Link Terminal), es posible conectar dos cambiadores y dos salidas externas (AUX).

### 1 Pulse SOURCE/⏻ de esta unidad para activar el modo de cambiador de discos compactos.

Otra posibilidad es pulsar SOURCE en el mando a distancia (RUE-4202) para activar el modo de cambiador de CD.



### 2 Pulse BAND en la unidad o RUE-4202 para activar el modo de selección del cambiador de CD.

Este modo de selección permanecerá activo durante unos segundos.

### 3 Pulse BAND hasta que el indicador del cambiador de CD deseado aparezca en la pantalla.

Otra posibilidad es pulsar BAND en el mando a distancia hasta que el indicador del cambiador deseado aparezca en la pantalla.

- Si el cambiador de discos compactos seleccionado no está conectado, el visualizador mostrará "NO CHANGER (No.)".
- Para obtener información acerca del cambiador seleccionado, consulte "CD/MP3/WMA/AAC" (páginas 9 a la 12).
- Para obtener información detallada acerca de la entrada externa (AUX) cuando utilice KCA-410C, consulte "Ajuste del modo AUX (V-Link)" en la página 18.

# Información

## En caso de dificultad

Si surge algún problema, apáguelo y vuelva a encenderlo. Si la unidad sigue sin funcionar correctamente, compruebe los puntos que aparecen en la lista siguiente. Esta guía le ayudará a aislar el problema si la unidad no funciona. Si el problema persiste, compruebe si el resto de su sistema está adecuadamente conectado o consulte a un proveedor autorizado por Alpine.

### Cuestiones básicas

#### En la pantalla no aparece ningún elemento o función.

- La llave de encendido del automóvil está en OFF.
  - Si ha realizado las conexiones de acuerdo con las instrucciones, la unidad no funcionará con la llave de encendido en OFF.
- Las conexiones del conductor de alimentación (rojo) y el conductor de batería (amarillo) no son adecuadas.
  - Compruebe las conexiones del conductor de alimentación y el conductor de batería.
- Fusible quemado.
  - Compruebe el fusible de la unidad. Si fuera necesario, cámbielo por otro del valor apropiado.
- El microordenador interno funciona mal a causa de interferencias, ruido, etc.
  - Presione el interruptor RESET con un bolígrafo u otro objeto puntiagudo.

### Radio

#### No se recibe ninguna emisora.

- La antena no está conectada o el cable está desconectado.
  - Asegúrese de que la antena está correctamente conectada; cambie la antena o el cable si es necesario.

#### No se pueden sintonizar emisoras en el modo de búsqueda.

- Se encuentra en un área de recepción débil.
  - Compruebe si el sintonizador está en el modo DX.
- Si se encuentra en una zona de señal intensa, es posible que la antena no esté puesta a tierra o conectada adecuadamente.
  - Compruebe las conexiones de la antena, si está bien conectada a tierra y si la ubicación de montaje es correcta.
- Es posible que la longitud de la antena no sea adecuada.
  - Compruebe si la antena está completamente desplegada. Si está rota, reemplácela por otra nueva.

#### La emisión es ruidosa.

- Es posible que la longitud de la antena no sea adecuada.
  - Extienda completamente la antena. Si está rota, reemplácela por otra.
- La antena está mal conectada a tierra.
  - Compruebe si la antena está bien conectada a tierra y si la ubicación de montaje es correcta.

### CD

#### El reproductor/cambiador de CD no funciona.

- Se encuentra por encima del rango de temperatura para CD, de +50 °C.
  - Deje que se enfríe la temperatura en el interior (o en el maletero) del vehículo.

#### El sonido de reproducción de un CD oscila.

- Condensación de humedad en el módulo de CD.
  - Espere el tiempo necesario para que se evapore la humedad (aproximadamente 1 hora).

#### No es posible insertar CD.

- Ya hay un CD en el reproductor de CD.
  - Expulse el CD y retírelo.
- El CD no está correctamente insertado.
  - Asegúrese de insertar el CD de acuerdo con las instrucciones de la sección Funcionamiento del reproductor de CD.

#### El CD no avanza ni retrocede.

- El CD está dañado.
  - Extraiga el CD y tírelo. La utilización de un CD dañado en la unidad podría averiar el mecanismo.

#### El sonido salta debido a las vibraciones.

- Montaje inadecuado de la unidad.
  - Vuelva a montar la unidad firmemente.
- El disco está muy sucio.
  - Limpie el disco.
- El disco está rayado.
  - Cambie el disco.
- La lente del transductor está sucia.
  - No utilice cualquier disco limpiador de lentes disponible en el mercado. Consulte con su distribuidor de Alpine más cercano.

#### El sonido salta sin haber vibraciones.

- El disco está sucio o rayado.
  - Limpie el disco. Los discos dañados deberán reemplazarse.

#### Aparece Error (sólo reproductor de CD integrado).

- Error mecánico.
  - Pulse . Una vez que desaparezca la indicación de error, introduzca de nuevo el disco. Si el problema no desaparece mediante la solución mencionada, consulte con el proveedor Alpine más próximo.

#### No es posible reproducir el CD-R/CD-RW.

- No se ha realizado la sesión de cierre (finalización).
  - Finalice el disco y vuelva a intentar reproducirlo.

### MP3/WMA/AAC

#### Los archivos MP3, WMA o AAC no se reproducen.

- Se ha producido un error de escritura. El formato de CD no es compatible.
  - Compruebe que el CD se ha grabado en un formato compatible. Consulte "Acera de MP3/WMA/AAC" (páginas 11-12) y, a continuación, vuelva a grabar en el formato compatible con este dispositivo.

### Audio

#### No sale el sonido por los altavoces.

- La unidad no recibe señal del amplificador interno.
  - Power IC está en "ON" (página 17).

### iPod

#### iPod no puede reproducir y no emite ningún sonido.

- El iPod no se ha reconocido.
  - Reinicie esta unidad y el iPod. Consulte "Puesta en funcionamiento inicial del sistema" (página 6). Para reiniciar el iPod, consulte el Manual del propietario del iPod.

## Indicaciones para el reproductor de CD

### NO DISC

- No se ha insertado ningún CD.
  - Inserte un CD.
- Aunque hay un disco introducido, aparece la indicación "NO DISC" y la unidad no reproduce ni expulsa el disco.
  - Extraiga el disco siguiendo estos pasos:
    - Pulse el botón ▲ y manténgalo pulsado durante al menos 2 segundos.
    - Si el disco no se expulsa, consulte a un distribuidor de Alpine.

### ERROR

- Error del mecanismo.
  - 1) Pulse el botón ▲ y expulse el CD.
    - Si el disco no sale, consulte a su distribuidor Alpine.
  - 2) Si la indicación de error no desaparece después de expulsar el CD, vuelva a pulsar el botón ▲.
    - Si la indicación de error no desaparece después de pulsar el botón ▲ unas cuantas veces, consulte a su distribuidor Alpine.
- Cuando aparece "ERROR":
  - Si no se puede expulsar el disco pulsando el botón ▲, pulse el interruptor RESET (consulte página 6) y pulse el botón ▲ de nuevo.
  - Si el disco no se expulsa, consulte a un distribuidor de Alpine.

### PROTECT

- Se ha reproducido un archivo WMA con protección contra copias.
  - Sólo es posible reproducir archivos sin protección contra copias.

### UNSUPPORTED

- Se utiliza un índice de muestreo/velocidad de bits no compatible con la unidad.
  - Utilice un índice de muestreo/velocidad de bits compatible con la unidad.

## Indicaciones para el cambiador de CD

### HIGH-TEMP

- Se ha activado el circuito protector debido a la alta temperatura.
  - El indicador desaparecerá cuando la temperatura vuelva a la gama de operación normal.

### ERROR-01

- Mal funcionamiento del cambiador de CD.
  - Consulte a su proveedor Alpine. Presione el botón de expulsión del cargador y extraígallo.
  - Compruebe la indicación. Introduzca de nuevo el cargador.
  - Si no puede extraer el cargador, consulte a su proveedor Alpine.
- No es posible extraer el cargador.
  - Presione el botón de extracción del cargador. Si no puede extraer el cargador, consulte a su proveedor Alpine.

### ERROR-02

- En el interior del cambiador de CD ha quedado un disco.
  - Presione el botón Eject para activar la función de expulsión.
  - Cuando el cambiador de CD termine de ejecutar la función, introduzca un cargador de CD vacío en el cambiador de CD para que recoja el disco que quedó en el cambiador de CD.

### NO MAGAZINE

- No hay cargador insertado en el cambiador de CD.
  - Inserte un cargador.

### NO DISC

- El disco indicado no existe.
  - Elija otro disco.

## Indicación para el modo Receptor SAT

### ANTENNA

- La antena XM o SIRIUS no está conectada al módulo de XM o SIRIUS radio.
  - Compruebe si el cable de antena XM o SIRIUS se encuentra conectado de forma segura al módulo de XM o SIRIUS radio.

### UPDATING

- La radio se está actualizando con el último código de cifrado.
  - Espere hasta que se actualice el código de cifrado. Los canales 0 y 1 deben funcionar de forma correcta.

### NO SIGNAL

(modo XM)

### ACQUIRING

(modo SIRIUS)

- La señal XM o SIRIUS se debilita en la ubicación actual.
  - Espere hasta que el coche alcance una ubicación con una señal más intensa.

### LOADING

- La radio está adquiriendo información de audio o de programas.
  - Espere hasta que la radio haya recibido la información.

### OFF AIR

(modo XM)

### ACQUIRING

(modo SIRIUS)

- El canal seleccionado ha detenido la difusión.
  - Seleccione otro canal.



- El usuario ha seleccionado un número de canal que no existe ni al que se encuentra inscrito.
  - La unidad volverá al canal seleccionado anteriormente.
- No hay función/nombre de artista, título de canción/programa ni información adicional asociados con el canal en ese momento.
  - No es necesario tomar ningún tipo de acción.

## ERROR

- Si se produce un error u otro tipo de problema.
  - Cambie los canales o póngase en contacto con su distribuidor de Alpine.

## Indicación para el modo iPod

### No iPod

- El iPod no está conectado.
  - Verifique que el iPod esté conectado de forma correcta (consulte "Conexiones" en página 40).
  - Compruebe que el cable no esté doblado en exceso.

### NO SONG

- El reproductor iPod no contiene ninguna canción.
  - Descargue canciones en el reproductor iPod y conéctelo a la unidad.

### ERROR-01

- Error de comunicación
  - Apague la llave de contacto y ajuste la unidad en ON de nuevo.
  - Compruebe la pantalla volviendo a conectar el reproductor iPod y esta unidad mediante el cable de iPod.

### ERROR-02

- Se debe a que la versión de software del iPod no es compatible con la unidad.
  - Actualice la versión de software del iPod a una compatible con la unidad.

## Especificaciones

### SECCIÓN DEL SINTONIZADOR FM

Rango de sintonía	87,7-107,9 MHz
Sensibilidad útil en modo monoaural	9,3 dBf (0,8 $\mu$ V/75 ohmios)
Sensibilidad de disminución de volumen de 50 dB	13,5 dBf (1,3 $\mu$ V/75 ohmios)
Selectividad de canal alternativo	80 dB
Relación de señal de ruido	65 dB
Separación estéreo	35 dB
Relación de captura	2,0 dB

### SECCIÓN DE SINTONIZADOR DE AM

Rango de sintonía	530-1.710 kHz
Sensibilidad (Norma IEC)	22,5 $\mu$ V/27 dB

### SECCIÓN DEL REPRODUCTOR DE CD

Respuesta de frecuencia	5 – 20.000 Hz ( $\pm$ 1 dB)
Wow & Flutter (% WRMS)	Por debajo de los límites medibles
Distorsión armónica total	0,008% (a 1 kHz)
Gama dinámica	95 dB (a 1 kHz)
Relación de señal de ruido	105 dB
Separación de canales	85 dB (a 1 kHz)

### RECEPCIÓN

Longitud de onda	795 nm
Potencia de láser	CLASS I

### GENERAL

Alimentación	14,4 V CC (11–16 V margen permisible)
Salida de alimentación	18 W RMS $\times$ 4*
*Potencia de amplificador primario por estándar CEA-2006	
• Salida de potencia: calculada en 4 ohmios y $\leq$ 1% THD+N	
• S/N: 80 dBA (referencia: 1 W en 4 ohmios)	
Tensión de salida de preamplificación máxima	2 V/10 k ohmios
Graves	+14/-14 dB a 100 Hz
Agudos	$\pm$ 14 dB a 10 kHz
Peso	1,5 kg.

### TAMAÑO DEL CHASIS

Anchura	178 mm
Altura	50 mm
Profundidad	160 mm

### TAMAÑO DE LA PIEZA FRONTAL

Anchura	170 mm
Altura	46 mm
Profundidad	24 mm

- Debido a la mejora continua del producto, las especificaciones y el diseño están sujetos a cambios sin previo aviso.

# Instalación y conexiones

Antes de instalar o conectar la unidad, lea atentamente lo siguiente y las páginas 3 a 5 de este manual para emplearla adecuadamente.

## Advertencia

### REALICE LAS CONEXIONES CORRECTAMENTE.

Una conexión incorrecta puede producir un incendio o dañar el equipo.

### UTILICE LA UNIDAD SOLAMENTE EN VEHÍCULOS QUE TENGAN 12 VOLTIOS CON NEGATIVO A MASA.

(Consulte a su distribuidor en caso de duda.) De no ser así, podría ocasionar un incendio, etc.

### ANTES DE EFECTUAR EL CABLEADO, DESCONECTE EL CABLE DEL TERMINAL NEGATIVO DE LA BATERÍA.

De no hacerlo así, podría ocasionar una descarga eléctrica o heridas debido a cortocircuitos eléctricos.

### NO EMPALME CABLES ELÉCTRICOS.

Nunca corte el aislamiento de un cable para suministrar energía a otro equipo. Esto hace que la capacidad portadora del cable se supere y puede ser la causa de incendios o descargas eléctricas.

### EVITE DAÑAR LOS TUBOS Y EL CABLEADO CUANDO TALADRE AGUJEROS.

Si taladra agujeros en el chasis durante la instalación, tome las precauciones necesarias para no rozar, dañar u obstruir los tubos, las tuberías de combustible, los depósitos o el cableado eléctrico. De lo contrario, podría provocar un incendio.

### NO UTILICE TUERCAS O PERNOS EN EL SISTEMA DE FRENOS O DE DIRECCIÓN PARA REALIZAR LAS CONEXIONES A MASA.

Los pernos o tuercas empleados en los sistemas de freno o de dirección (o en cualquier otro sistema relacionado con la seguridad del vehículo), o los depósitos, NUNCA deben utilizarse para instalaciones de cableado o conexión a masa. Si utiliza tales partes podrá incapacitar el control del vehículo y provocar un incendio, etc.

### MANTENGA LOS OBJETOS PEQUEÑOS, COMO LAS PILAS, FUERA DEL ALCANCE DE LOS NIÑOS.

La ingestión de estos objetos puede provocar lesiones graves. Si esto ocurre, consulte con un médico inmediatamente.

### NO INSTALE EL EQUIPO EN LUGARES QUE PUEDAN INTERFERIR CON LA OPERACIÓN DEL VEHÍCULO, COMO EL VOLANTE DE DIRECCIÓN O LA CAJA DE CAMBIOS DE VELOCIDAD.

Esto podría obstaculizar la visibilidad y dificultar el movimiento, etc. y provocar accidentes graves.

### IMPIDA QUE LOS CABLES SE ENREDEN CON LOS OBJETOS SITUADOS ALREDEDOR.

Disponga la instalación eléctrica y los cables conforme a lo descrito en el manual para evitar obstáculos durante la conducción. Los cables que obstaculizan la conducción o que cuelgan de partes del vehículo como el volante de dirección, la palanca de cambios, los pedales de freno, etc., se consideran extremadamente peligrosos.

#### IMPORTANTE

Anote el número de serie de la unidad en el espacio proporcionado a continuación y consérvelo como registro permanente. El número de serie impreso o grabado se encuentra en la base de la unidad.

## Prudencia

### CONFÍE EL CABLEADO Y LA INSTALACIÓN A PROFESIONALES.

El cableado y la instalación de este equipo requieren una competencia y experiencia técnica confirmada. Para garantizar la seguridad, póngase siempre en contacto con el distribuidor al que ha comprado el equipo para confiarle estas tareas.

### UTILICE LOS ACCESORIOS ESPECIFICADOS E INSTÁLELOS CORRECTAMENTE.

Asegúrese de utilizar los accesorios especificados solamente. La utilización de otras piezas no designadas puede ser la causa de daños en el interior de la unidad o de una instalación incorrecta. Las piezas pueden aflojarse, lo que, además de ser peligroso, puede provocar averías.

### DISPONGA EL CABLEADO DE FORMA QUE LOS CABLES NO SE DOBLEN, NO SE CONTRAIGAN NI ROCEN UN BORDE METÁLICO AFILADO.

Aleje los cables y el cableado de piezas móviles (como los raffles de los asientos) o de bordes puntiagudos o afilados. De esta forma evitará dobleces y daños en el cableado. Si los cables se introducen por un orificio de metal, utilice una arandela de goma para evitar que el borde metálico del orificio corte el aislamiento del cable.

### NO INSTALE LA UNIDAD EN LUGARES MUY HÚMEDOS O LLENOS DE POLVO.

Evite instalar la unidad en lugares con altos índices de humedad o polvo. Si entra polvo o humedad, el equipo puede averiarse.

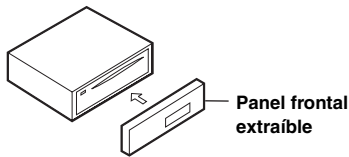
## Precauciones

- Asegúrese de desconectar el cable del polo (-) de la batería antes de instalar su CDA-9884. Esto reducirá las posibilidades de averiar la unidad en caso de cortocircuito.
- Asegúrese de conectar los conductores con clave de colores según el diagrama. Unas conexiones incorrectas pueden ocasionar un mal funcionamiento de la unidad o pueden dañar el sistema eléctrico del vehículo.
- Cuando haga las conexiones al sistema eléctrico del vehículo, tenga en cuenta los componentes que vienen instalados de fábrica (como un computador incorporado, por ejemplo). No conecte a estos conductores para proporcionar alimentación a esta unidad. Al conectar el CDA-9884 a la caja de fusibles, asegúrese de que el fusible designado para el circuito del CDA-9884 sea del amperaje adecuado. De lo contrario, la unidad y/o el vehículo podrán sufrir daños. Cuando tenga dudas, consulte a su distribuidor Alpine.
- El CDA-9884 emplea conectores hembra tipo RCA para la conexión de otras unidades (ej.: amplificador) equipadas con conectores RCA. Algunas veces será necesario usar un adaptador para la conexión de otras unidades. En este caso, hágase asesorar por su distribuidor autorizado Alpine.
- Asegúrese de conectar los cables negativos (-) de altavoces al terminal de altavoces (-). Nunca conecte los cables de altavoces de los canales derecho e izquierdo uno a otro, ni tampoco a la carrocería del vehículo.

NÚMERO DE SERIE: \_\_\_\_\_  
FECHA DE INSTALACIÓN: \_\_\_\_\_  
INSTALADOR: \_\_\_\_\_  
LUGAR DE ADQUISICIÓN: \_\_\_\_\_



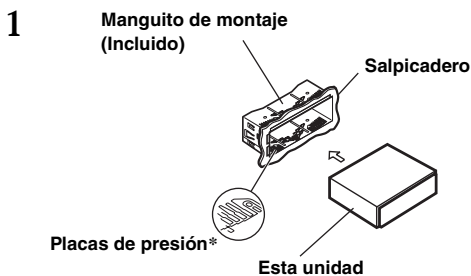
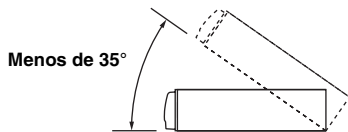
# Instalación



## Precaución

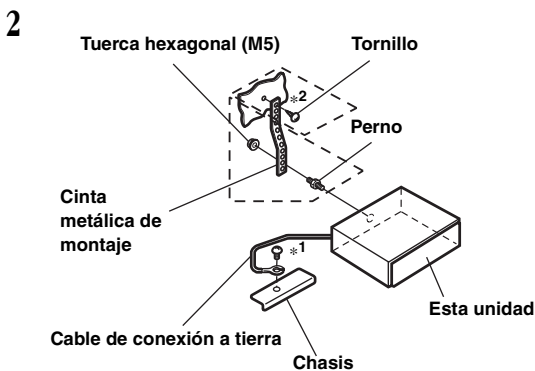
Cuando instale esta unidad en el vehículo, no extraiga el panel frontal desmontable.  
Si se quita el panel frontal extraíble durante la instalación, puede que presione con demasiada fuerza y deforme la placa metálica que lo mantiene en su posición.

- Monte la unidad principal en un ángulo de 35 grados en relación con el plano horizontal, desde atrás hacia adelante.



\* Si el manguito de montaje instalado queda suelto en el salpicadero, las placas de presión se pueden doblar ligeramente para solucionar el problema.

**Extraiga el manguito de montaje de la unidad principal (consulte "Extracción" en página 39).**



Refuerce la unidad de cabezal con el soporte de montaje metálico (no suministrado). Fije el cable de conexión a tierra de la unidad a un punto metálico limpio por medio de un destornillador (\*1) ya conectado al chasis del vehículo.

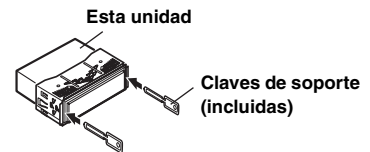
- Para el tornillo que presenta la marca "\*2", utilice un tornillo adecuado para la posición de montaje elegida.

Conecte cada uno de los cables de entrada procedentes del amplificador o ecualizador al cable de salida correspondiente procedente de la parte posterior izquierda del CDA-9884. Conecte el resto de conectores del CDA-9884 de acuerdo con las instrucciones descritas en la sección CONEXIONES.

- 3
- Deslice el CDA-9884 hacia el panel de control hasta que se escuche un clic. Eso permite asegurarse de que la unidad queda correctamente fijada y no se salga accidentalmente del salpicadero.

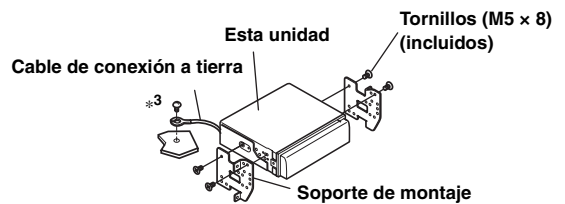
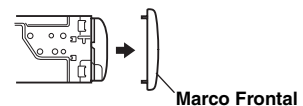
## Extracción

1. Extraiga el panel frontal desmontable.
2. Inserte las llaves de soporte en la unidad, a lo largo de las guías de ambos lados. Ahora podrá extraer la unidad de la funda de montaje.



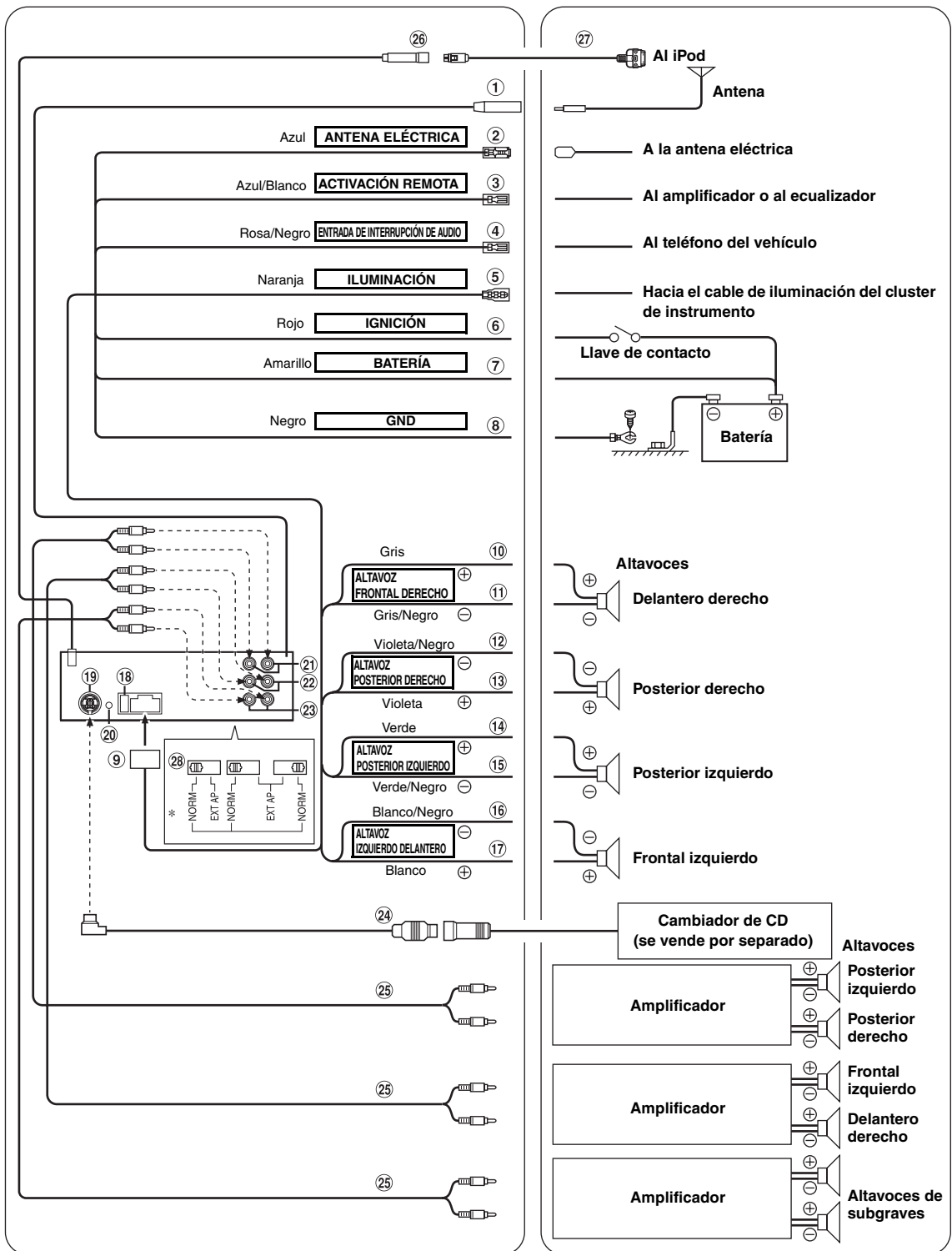
3. Tire de la unidad hacia fuera y manténgala desbloqueada mientras lo hace.

## <VEHÍCULO JAPONÉS>



- Fije el cable de conexión a tierra de la unidad a un punto metálico limpio por medio de un destornillador (\*3) ya conectado al chasis del vehículo.

# Conexiones



\* La etiqueta se fija en la parte inferior de la unidad.

- ① **Receptáculo de la antena**
- ② **Cable para antena eléctrica (Azul)**  
Si es necesario, conecte este cable al terminal +B de la antena eléctrica.
- *Este cable sólo debe utilizarse para controlar la antena eléctrica del vehículo. No lo utilice para encender un amplificador o un procesador de señales, etc.*
- ③ **Toma de conexión remota (Azul/Blanca)**  
Conecte este cable al cable de control remoto del amplificador o del procesador de señal. Si se conecta una caja Imprint PXA-H100 (se vende por separado), utilice la toma de conexión remota de la PXA-H100 para conectarla al amplificador o al procesador de señal. Para obtener más información, consulte el Manual del propietario de la PXA-H100.
- ④ **Cable de entrada de interrupción audio (Rosa/Negro)**  
Conecte este conector a la salida de interconexión de audio de un teléfono celular que ofrezca cortocircuitación a tierra al recibir una llamada.
- ⑤ **Cable de iluminación (Naranja)**  
Este cable puede conectarse al cable de iluminación del grupo de instrumentos del automóvil. Esto permitirá a la retroiluminación del CDA-9884 atenuarse siempre que se enciendan las luces del vehículo.
- ⑥ **Cable de alimentación con interruptor (Encendido) (Rojo)**  
Conecte este cable a un terminal abierto de la caja de fusibles del vehículo o a otra fuente de alimentación no utilizada que genere una potencia de (+) 12 V sólo cuando el contacto esté encendido o en posición auxiliar.
- ⑦ **Cable de la batería (Amarillo)**  
Conecte este cable al borne positivo (+) de la batería del vehículo.
- ⑧ **Cable de tierra (Negro)**  
Conecte este cable a una buena toma de tierra del vehículo. Asegúrese de realizar la conexión sólo en el metal y de que quede perfectamente sujeto utilizando el tornillo de chapa de metal incorporado.
- ⑨ **Conector de alimentación de energía**
- ⑩ **Cable de salida del altavoz delantero derecho (+) (Gris)**
- ⑪ **Cable de salida del altavoz delantero derecho (-) (Gris/Negro)**
- ⑫ **Cable de salida del altavoz trasero derecho (-) (Violeta/Negro)**
- ⑬ **Cable de salida de altavoz derecho trasero (+) (Violeta)**
- ⑭ **Cable de salida de altavoz izquierdo trasero (+) (Verde)**
- ⑮ **Cable de salida del altavoz trasero izquierdo (-) (Verde/Negro)**
- ⑯ **Cable de salida del altavoz delantero izquierdo (-) (Blanco/Negro)**
- ⑰ **Cable de salida de altavoz izquierdo delantero (+) (Blanco)**
- ⑱ **Portafusibles (10 A)**
- ⑲ **Conector Ai-NET**  
Conecte este conector al conector de entrada o salida de otro dispositivo (Cambiador de CD, caja Imprint, Ecualizador HD Radio™ MÓDULO SINTONIZADOR, etc.) equipado con Ai-NET.
- *No se recomienda utilizar con este producto el adaptador de interfaz para iPod® (KCA-420i).*
- *Es posible recibir sonido de TV/vídeo conectando un cable opcional de interfaz Ai-NET/RCA (KCA-121B) a este componente.*
- ⑳ **Conector de la interfaz de control remoto del volante**  
A la caja de la interfaz de control remoto del volante.
- ㉑ **Conectores RCA traseros de salida**  
Puede utilizarse como conectores RCA de entrada o salida traseros.  
ROJO (derecha) y BLANCO (izquierda).
- ㉒ **Conectores RCA frontales de salida/entrada**  
Puede utilizarse como conectores RCA de entrada o salida delanteros.  
ROJO (derecha) y BLANCO (izquierda).
- ㉓ **Conectores RCA para subwoofer**  
ROJO (derecha) y BLANCO (izquierda).
- ㉔ **Cable Ai-NET (Incluido con el cargador de CD)**
- ㉕ **Prolongador eléctrico RCA (vendido por separado)**
- ㉖ **Conector directo de iPod**  
Señales de control de iPod.  
Conéctelo a un iPod o a una caja Bluetooth opcional. Para utilizar un móvil manos libres, se requiere la conexión a una caja Bluetooth opcional. Para obtener más información acerca de las conexiones, consulte el Manual del propietario de la caja Bluetooth. También se puede conectar a un dispositivo externo (por ejemplo, un reproductor portátil) si se utiliza un cable de conexión directa de iPod/cable de interfaz RCA (se venden por separado).
- \* *Consulte "Ajuste del modo AUX+ SETUP" (página 18).*  
AUX+ ON: cuando el dispositivo externo está conectado.  
AUX+ OFF: cuando un iPod está conectado.
- ㉗ **Cable de conexión FULL SPEED™ (KCE-422i) (se vende por separado)**
- ㉘ **Interruptor de sistema**  
Si conecta un procesador o un divisor utilizando la función Ai-NET, ajuste los interruptores en la posición EXT AP. Si no hay ningún dispositivo conectado, deje el interruptor en posición NORM.
- *No seleccione configuraciones diferentes para los tres interruptores.*
- *Asegúrese de desactivar la alimentación de la unidad antes de cambiar la posición del interruptor.*

#### Para evitar ruidos externos en el sistema de audio.

- Coloque la unidad y pase los cables a 10 cm por lo menos del conjunto de cables del automóvil.
- Mantenga los conductores de la batería lo más alejados posible de otros cables.
- Conecte el conductor de puesta a masa con seguridad a un punto metálico desnudo (si es necesario, elimine la pintura, suciedad o grasa) del chasis del automóvil.
- Si añade un supresor de ruido opcional, conéctelo lo más lejos posible de la unidad. Su proveedor Alpine ofrece distintos supresores de ruido; póngase en contacto con él para obtener más información.
- Su proveedor Alpine conoce la mejor forma de evitar el ruido. Solicítele más información.

## Free Manuals Download Website

<http://myh66.com>

<http://usermanuals.us>

<http://www.somanuals.com>

<http://www.4manuals.cc>

<http://www.manual-lib.com>

<http://www.404manual.com>

<http://www.luxmanual.com>

<http://aubethermostatmanual.com>

Golf course search by state

<http://golfingnear.com>

Email search by domain

<http://emailbydomain.com>

Auto manuals search

<http://auto.somanuals.com>

TV manuals search

<http://tv.somanuals.com>